



## Assembly Instructions

### Important before assembly:

Read these instructions carefully before assembling or using the product.

Please check the contents of the boxes before attempting to assemble this product. The instructions will have a checklist of parts and fittings.

Assemble the product as close to its intended final location/room as possible.

### Health & Safety:

This product or some parts of this product will be heavy. Please use an assistant when lifting.

Please keep small parts out of reach of children.

Always use on a level, even surface.

DO NOT jump on the product or any of its parts.

DO NOT use this product if any parts are missing, damaged or worn.

DO NOT use this product unless all fixings are secured.

**Further instructions are on the following pages.**

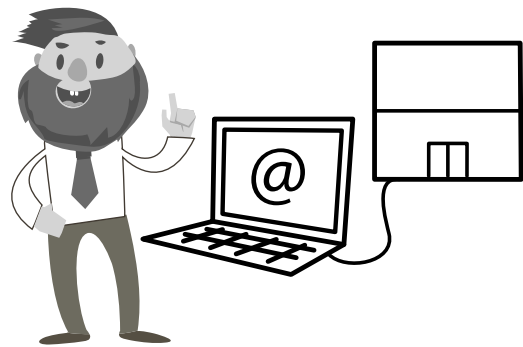
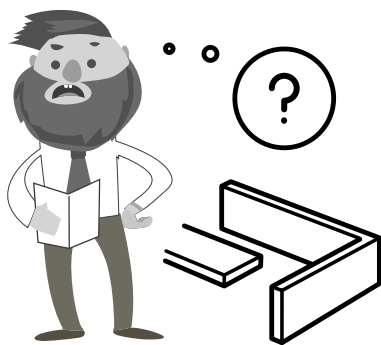
Please keep these instructions for future reference.



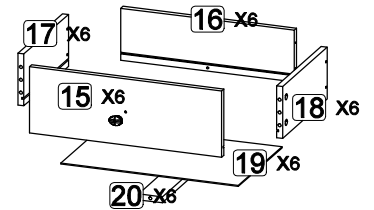
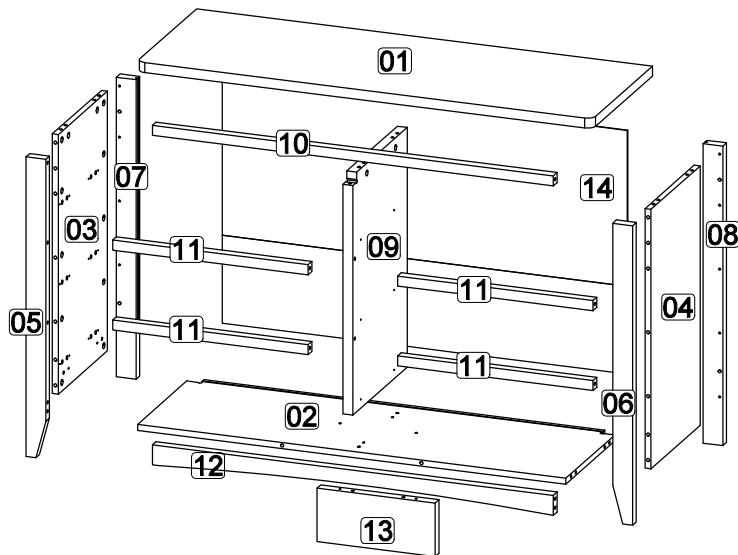
This product or some parts of this product will be heavy. Please use an assistant when lifting.



Never drag or push the pieces across a hard or stone floor as this will cause damage to the joints. Use a carpet or a rug for extra care.







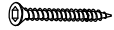










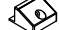


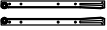

If you have problems assembling or have damaged or missing pieces, please contact our customer services (details at the back of these instructions)



### Parts List

Part	Description	Box	Qty
01	Top panel	1	1
02	Bottom panel	2	1
03	Side panel ( Left )	2	1
04	Side panel ( Right )	2	1
05	Front leg ( Left )	1	1
06	Front leg ( Right )	1	1
07	Back leg ( Left )	1	1
08	Back leg ( Right )	1	1
09	Center panel	2	1
10	Front bar 1	1	1
11	Front bar 2	1	4
12	Leg panel	1	1
13	Center leg panel	1	1
14	Back panel	1	1
15	Drawer front	2	6
16	Drawer back	1	6
17	Drawer side ( Left )	1	6
18	Drawer side ( Right )	1	6
19	Bottom drawer	2	6
20	Drawer bone	2	6

### Hardware List ( BOX 2 )

Part	Description	Qty
A1	Cam lock 	68
A2	Minifix screw 	68
A3	Plastic cap 	68
B	M8 x 30mm Wood Dowel 	49
C	M6 x 50mm CSK Cap Wood screw 	4
D	Allen key M4 	1
E	M3.5 x 16mm C.B Screw 	96
F	M4 x 20mm C.B Screw 	24
G	M4 x 38mm C.B Screw 	24
H	PVC nail leg 5/8 	6
I	Handle screw M4 x 22mm 	6
J	Knob 5166028 SS 	6
K	S125 - Double hole fitting 	8
L	One hole L bracket ( 2mm ) 	6
M	PVC Block 	12
N1	Stud 192 	8
N2	Stud 192 screw 	8
O1	12" Drawer slide (Left / Right) 	12
O2	12" Drawer slide (Left / Right) 	12
P	8" x 1" PP tape 	2

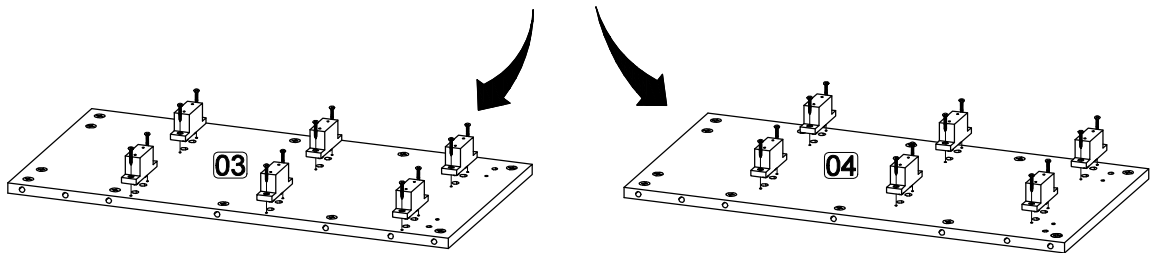
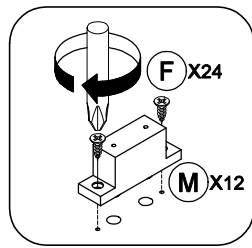
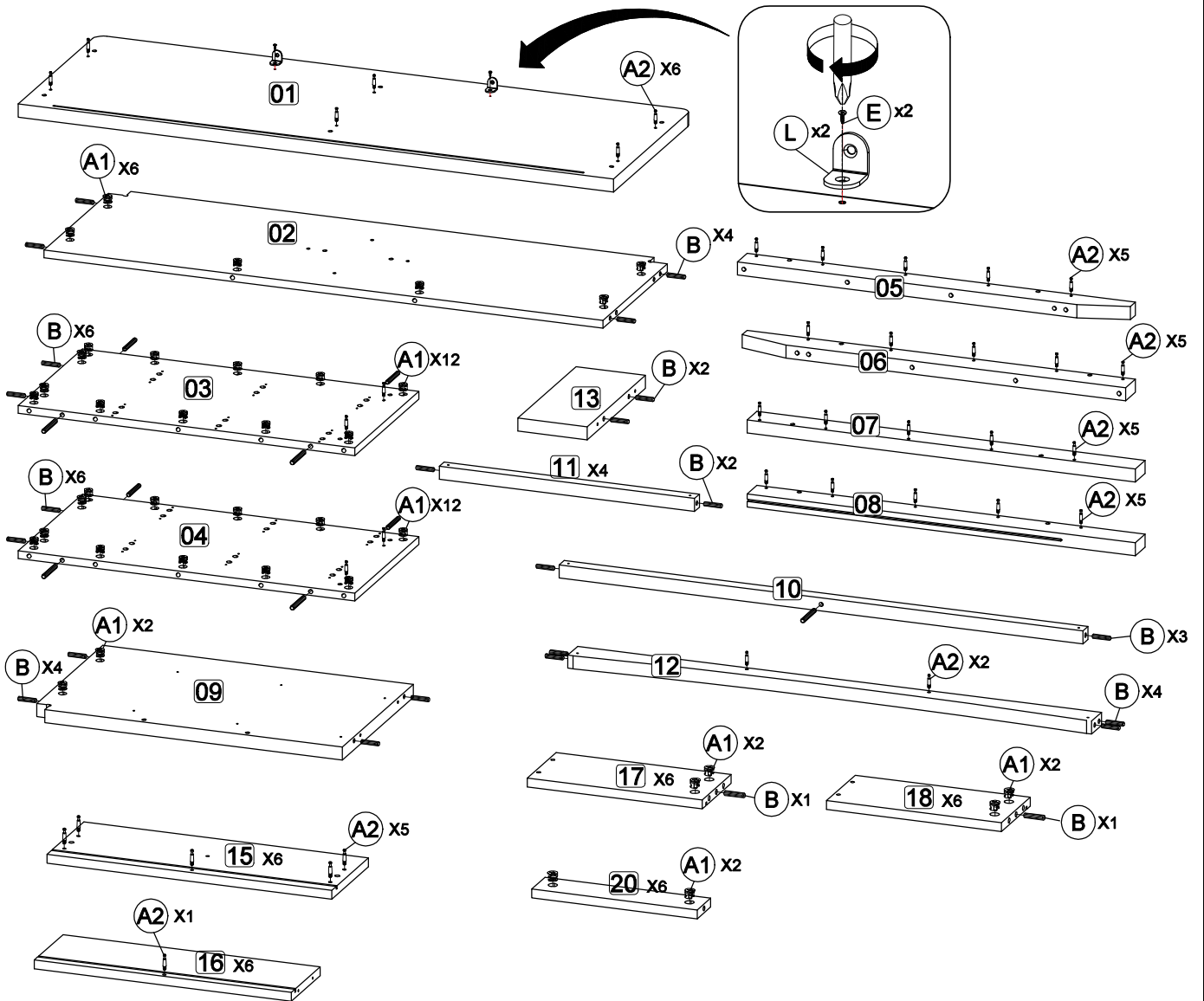
**\*\* You will need a small mallet and a screwdriver for assembly.**

**\*\* Some screws and wooden dowel may remain.**

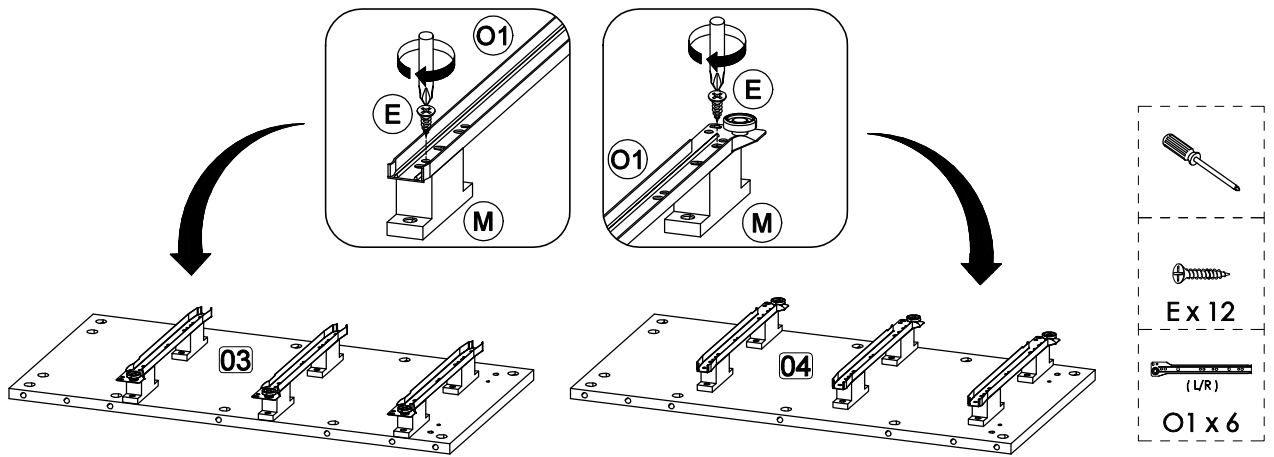
**\*\* Note : To secure the item to the wall we recommend you use wall plugs and screw.**

**These are not provided in the fixing kit.**

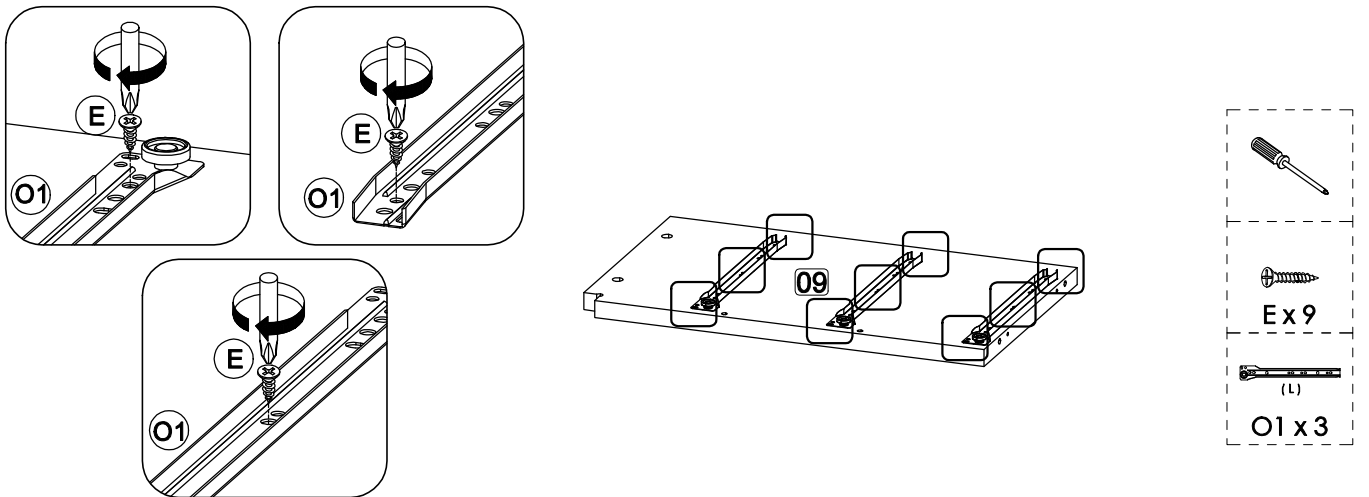
**Step 1: Prepare these parts for assembly using hardware parts A1, A2, B, E, L and M.**  
**DO NOT use any power tools as this may damage the frame and will invalidate any claim.**



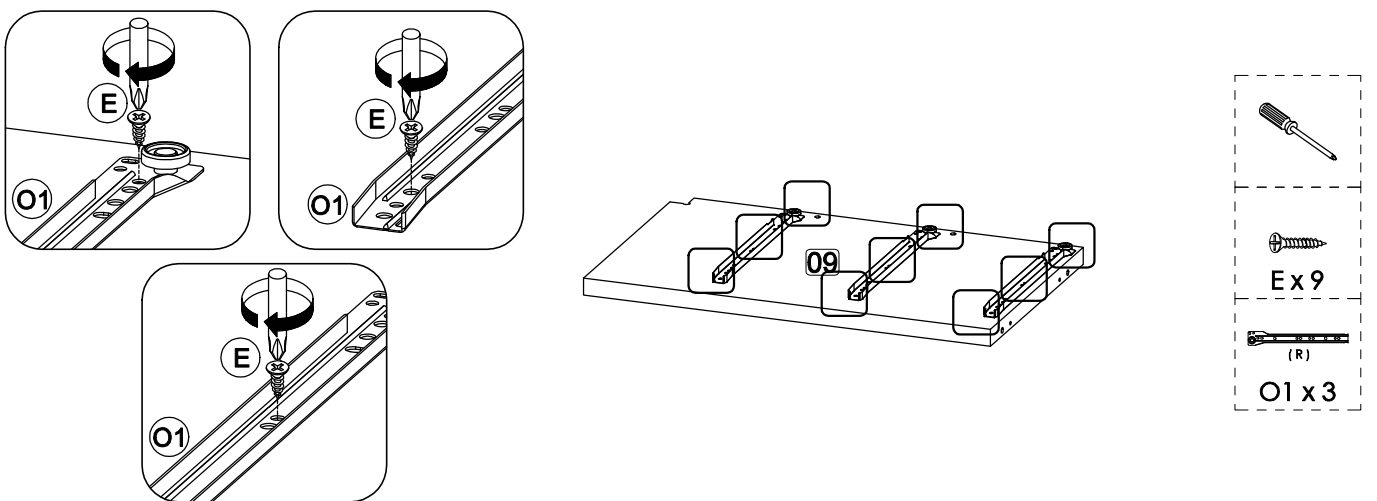
**Step 2: Fix hardware O1 onto hardware M by using hardware E.**  
**DO NOT use any power tools as this may damage the frame and will invalidate any claim.**



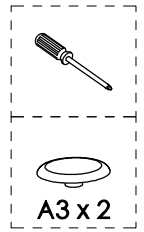
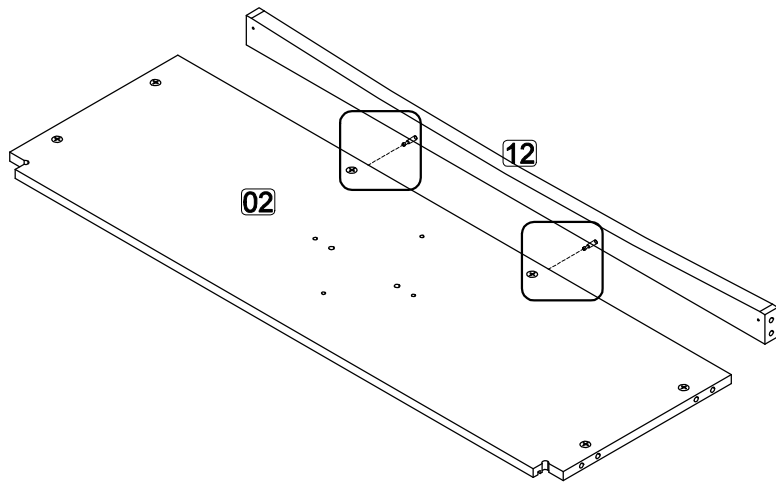
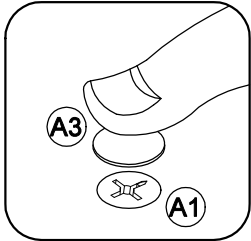
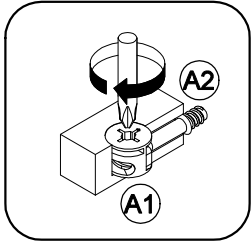
**Step 3: Fix hardware O1 onto center panel (9) by using hardware E.**  
**DO NOT use any power tools as this may damage the frame and will invalidate any claim.**



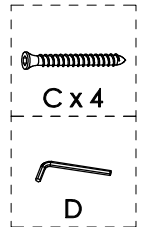
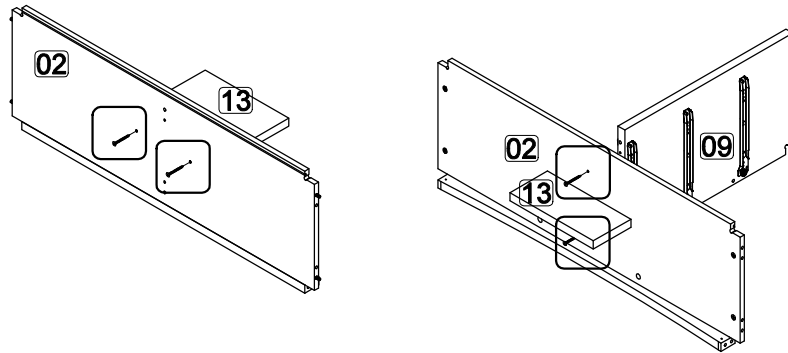
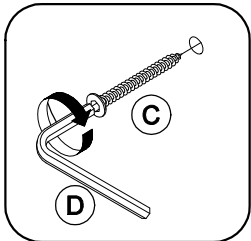
**Step 4: Fix hardware O1 onto center panel (9) by using hardware E.**  
**DO NOT use any power tools as this may damage the frame and will invalidate any claim.**



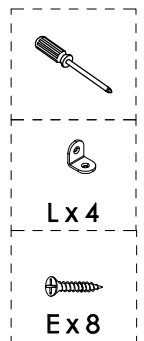
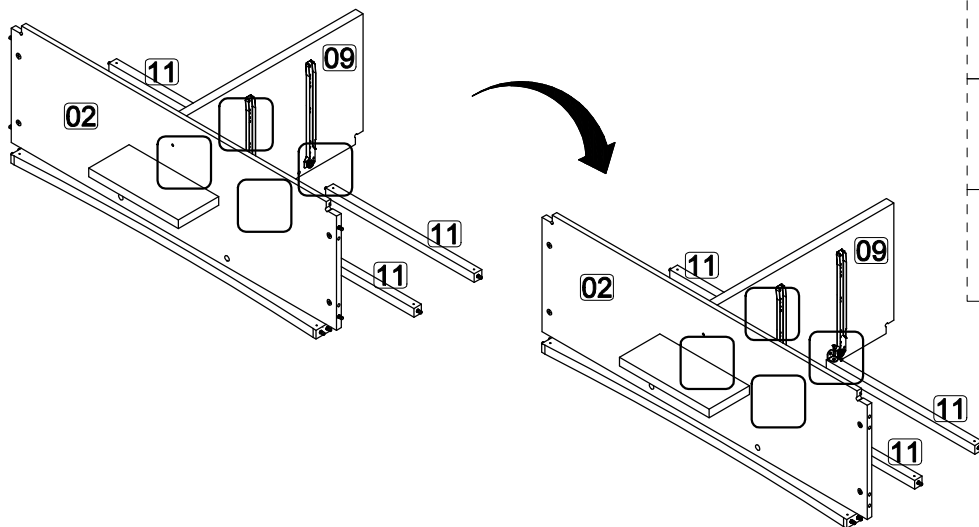
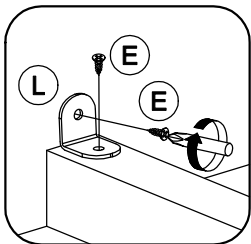
**Step 5: Attach bottom panel (2) to leg panel (12) using hardware A1 and A2 with a screwdriver (not provided).  
DO NOT use any power tools as this may damage the frame and will invalidate any claim.**



**Step 6: Attach bottom panel (2) to center leg panel (13) then to center panel (9) using hardware C and D.  
DO NOT use any power tools as this may damage the frame and will invalidate any claim.**

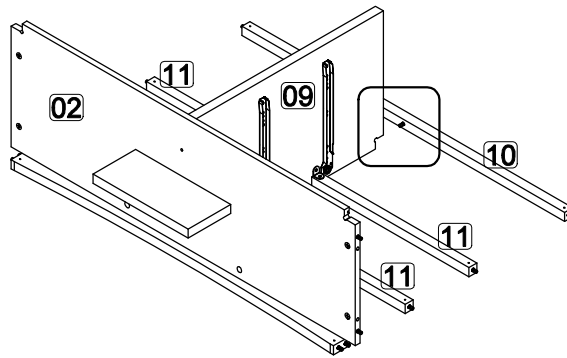


**Step 7: Attach front bar (11) to center panel (9) then fix hardware L to front bar (11) and center panel (9) with hardware E and screwdriver (not provided).  
DO NOT use any power tools as this may damage the frame and will invalidate any claim.**



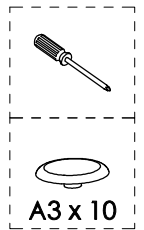
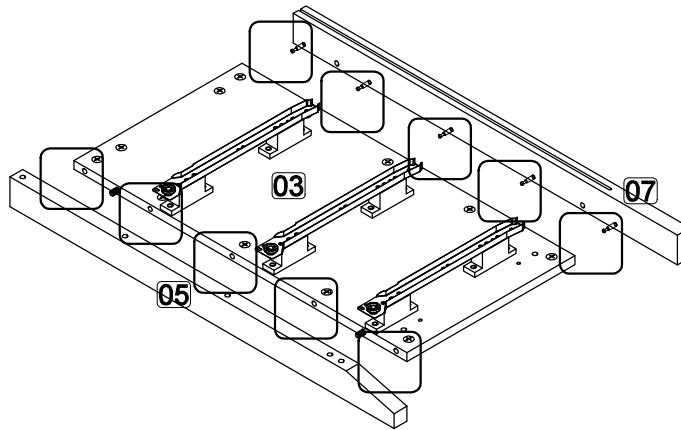
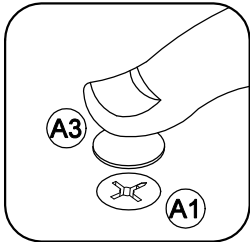
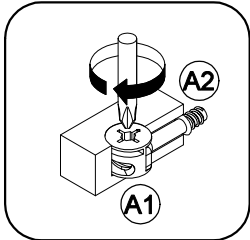
**Step 8: Assemble front bar (10) to center panel (9).**

**DO NOT use any power tools as this may damage the frame and will invalidate any claim.**



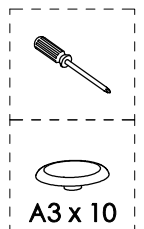
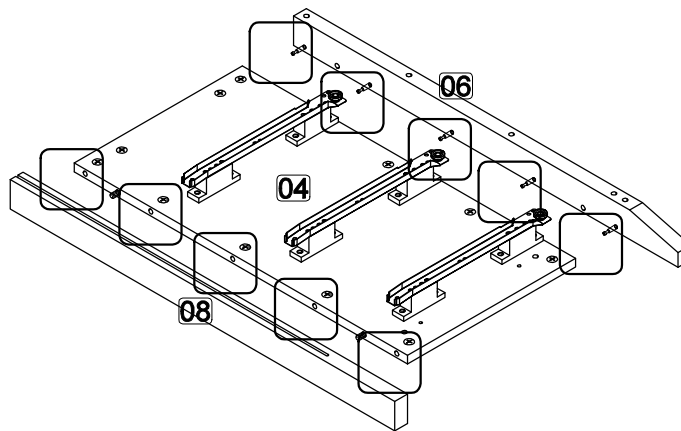
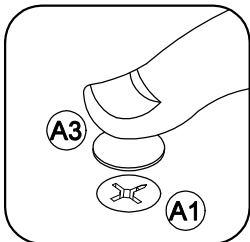
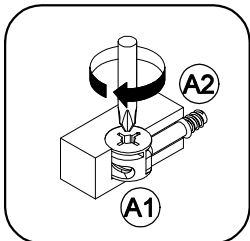
**Step 9: Attach front leg (5) and back leg (7) to side panel (3) using hardware A1 and A2 with a screwdriver (not provided).**

**DO NOT use any power tools as this may damage the frame and will invalidate any claim.**

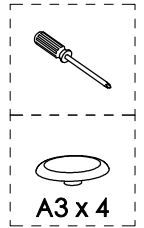
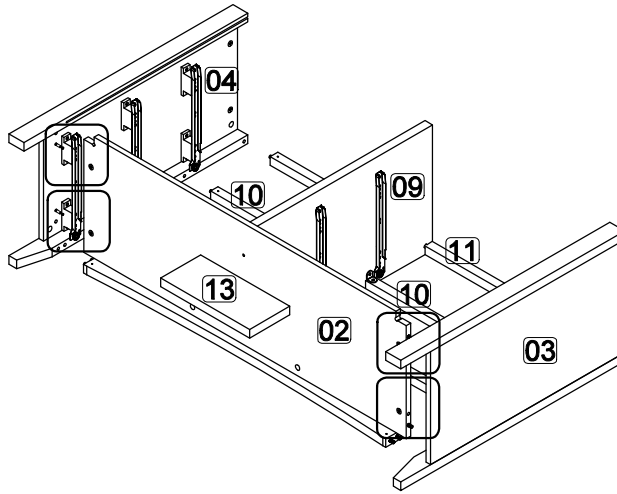
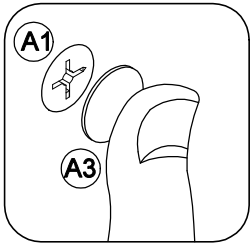
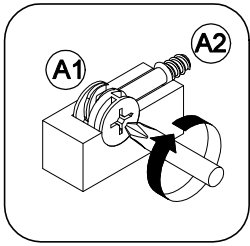


**Step 10: Attach front leg (6) and back leg (8) to side panel (4) using hardware A1 and A2 with a screwdriver (not provided).**

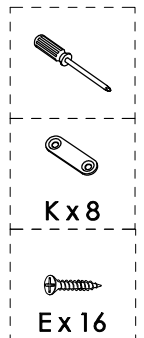
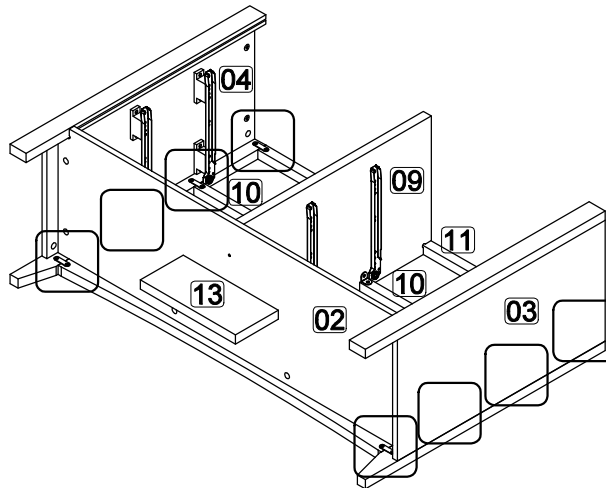
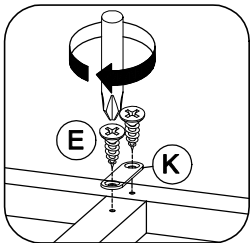
**DO NOT use any power tools as this may damage the frame and will invalidate any claim.**



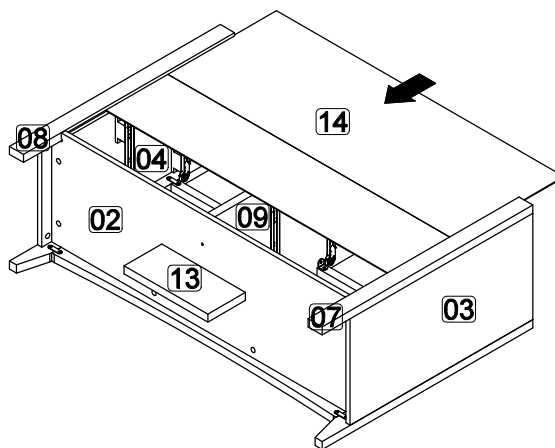
**Step 11: Attach side panel (3) and side panel (4) to bottom panel (2), front bar (10) and front bar (11) using hardware A1 and A2 with a screwdriver (not provided). DO NOT use any power tools as this may damage the frame and will invalidate any claim.**



**Step 12: Fix hardware K to center panel (9), front bar (10) and front bar (11) with hardware E and screwdriver (not provided). DO NOT use any power tools as this may damage the frame and will invalidate any claim.**

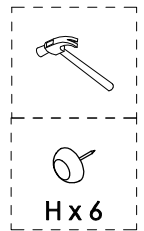
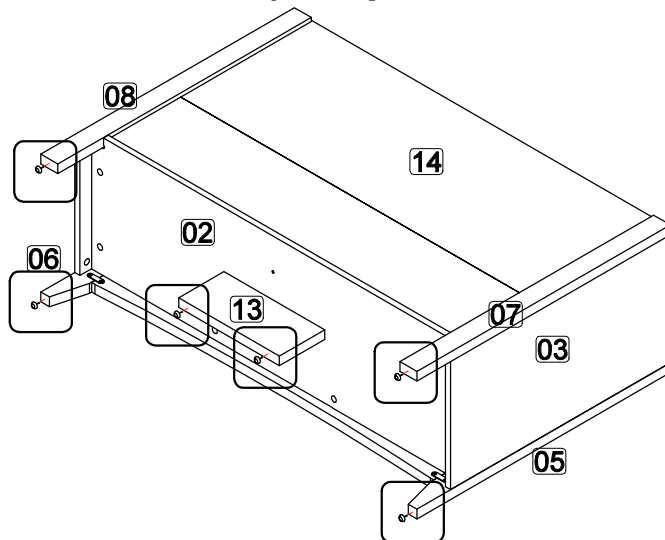
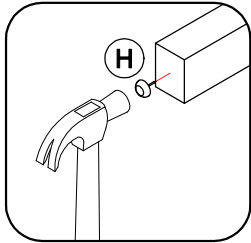


**Step 13: Assemble the back panel (14) along the slot at back leg (7) & (8). DO NOT use any power tools as this may damage the frame and will invalidate any claim.**

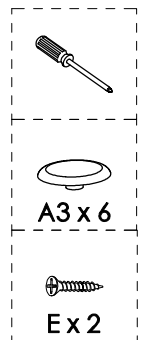
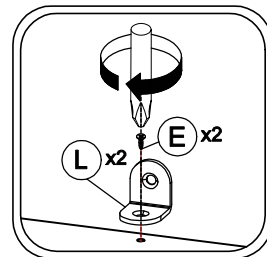
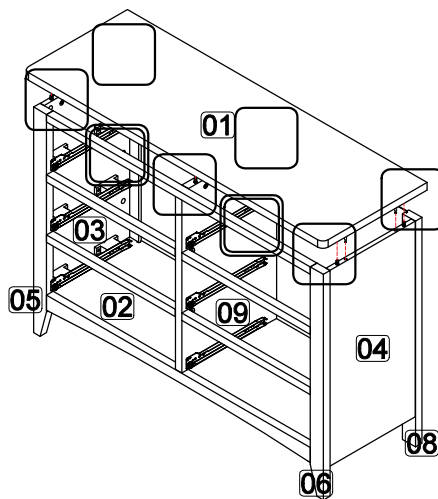
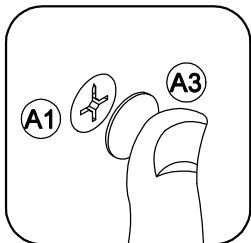
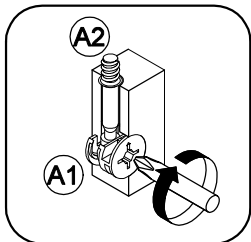




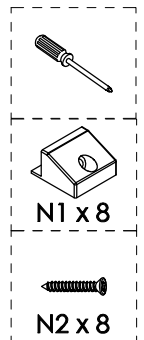
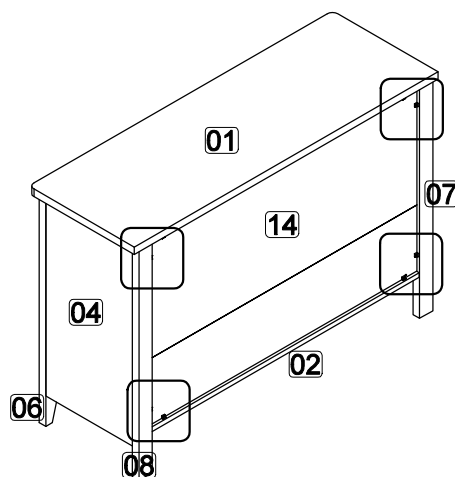
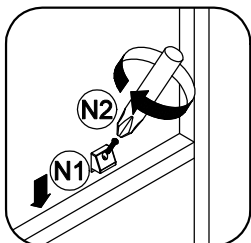
**Step 14:** Hit hardware H into bottom of front leg (5), (6), back leg (7), (8) and center leg panel (13) with a hammer (not provided).  
**DO NOT use any power tools as this may damage the frame and will invalidate any claim.**



**Step 15:** Attach top panel (1) to side panel (3), (4) and center panel (9) using hardware A1 and A2 with a screwdriver (not provided), then fix hardware L onto top panel (1) and front bar (10) with hardware E and screwdriver (not provided).  
**DO NOT use any power tools as this may damage the frame and will invalidate any claim.**



**Step 16:** Attach hardware N1 into top panel (1), bottom panel (2), back leg (7) and (8) using hardware N2 with a screwdriver (not provided).  
**DO NOT use any power tools as this may damage the frame and will invalidate any claim.**



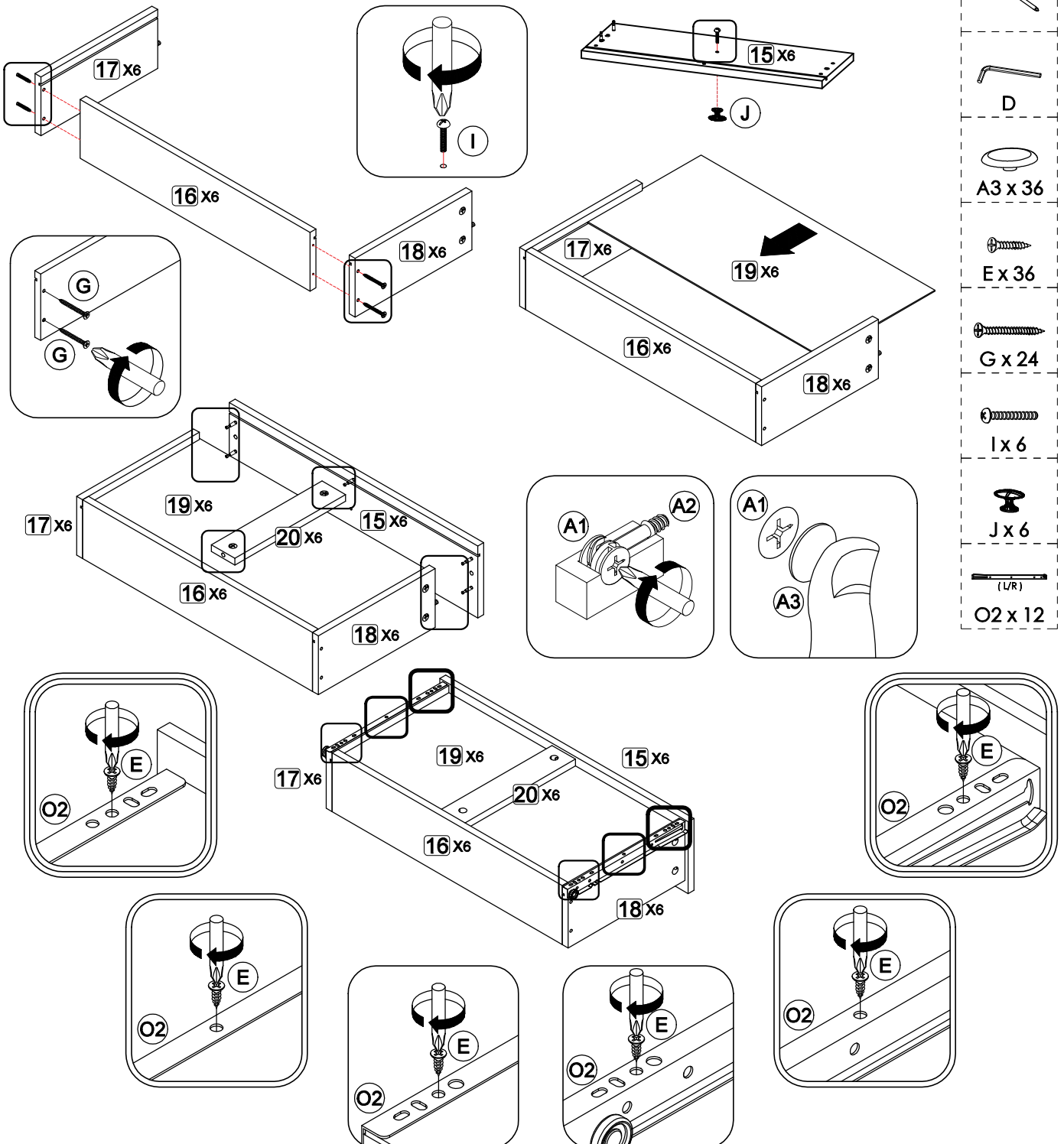
**Step 17: Assemble the drawer components using hardware A3, D, E, G,I, J and O2.**

In this step only show one of the drawers.

**DO NOT use any power tools as this may damage the frame and will invalidate any claim.**

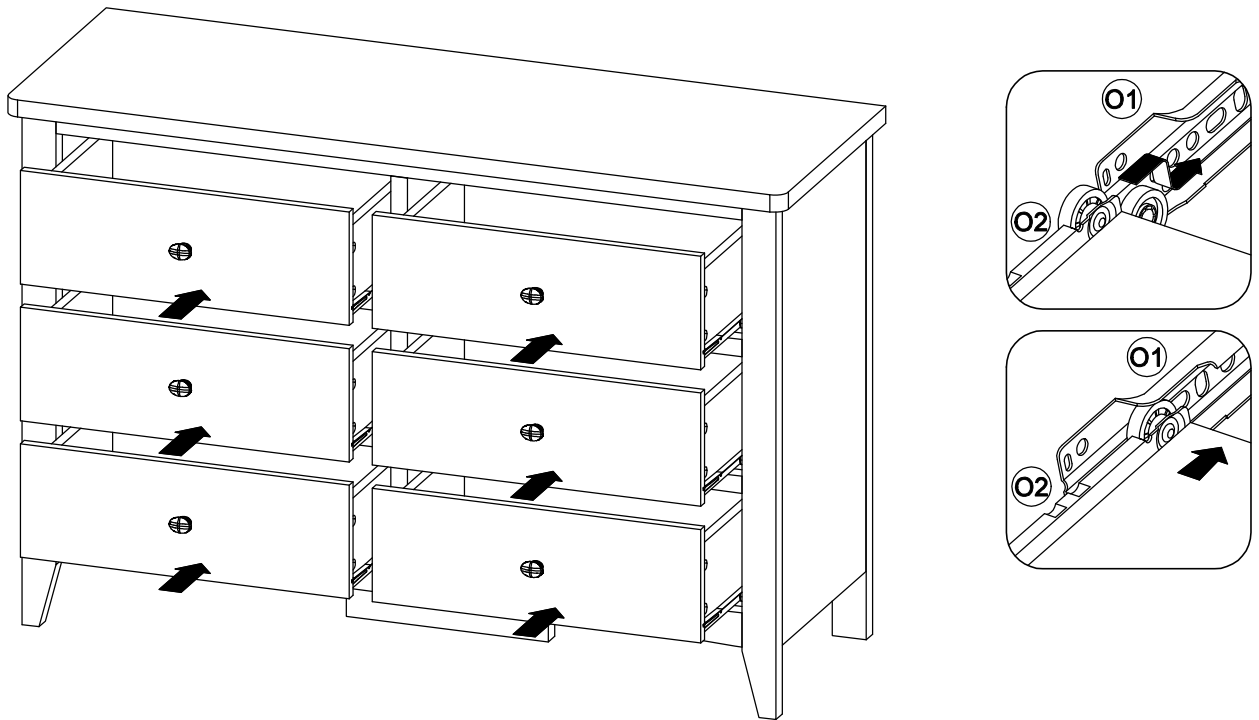
**Drawer Down**

1. Fix hardware J onto panel (15) by using hardware I.
2. Attach drawer side (17) and (18) to drawer back (16) using hardware (G).
3. Slide in the drawer bottom (19).
4. Attach drawer bone (20) to drawer back (16) then attach drawer front (15) to drawer side (17), (18) and drawer bone (20) using hardware A1 and A2 with a screwdriver (not provided).
5. Attach hardware (O2) to drawer sides (17) and (18) using hardware (E).



**Step 18:** Assemble the drawers in place along the drawer slides.

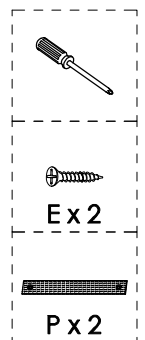
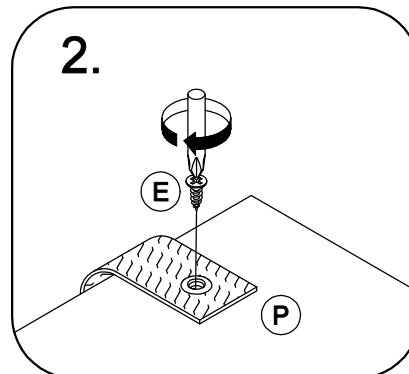
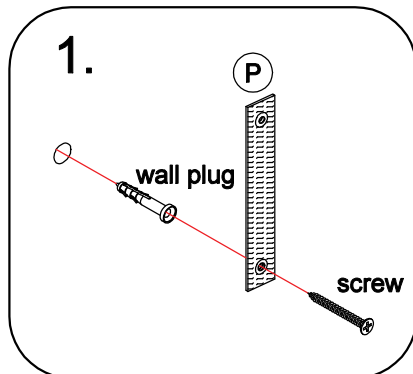
**DO NOT use any power tools as this may damage the frame and will invalidate any claim.**



**Step 19:** To secure the item to the wall use hardware P, screw and wall plug using a screwdriver (not provided).

Then attach hardware part P to the panel (1) using hardware E with a screwdriver (not provided).

**DO NOT use any power tools as this may damage the frame and will invalidate any claim.**



**PLEASE NOTE** that wall fixings are not supplied as different wall materials require different fixing devices. You must use fixings devices suitable for the type of wall you intend to mount product to. Ensure the head of any screw used has a diameter greater than the mounting hole and the fixing is safe and secure before use.

Please dispose of all packaging safely.

## General Care & Maintenance

Wipe clean with a slightly damp cloth.  
Avoid the use of all household cleaners and abrasives.

Periodically check all screw & fixings to ensure they are secure.

When moving your product, carefully lift into place. Never drag or push the product across the floor as this will cause damage to the joints. If the product is used on hard flooring, such as wood or laminated floor, you must place some protection under the legs to stop the product from moving. If this is not adhered to, it could result in failure to the product that will invalidate the warranty.

For more information on cleaning and product care visit:  
<https://www.happybeds.co.uk/help-and-advice>

## Notes

In the unlikely event that you have problems putting this product together or have damaged or missing parts, please contact us by visiting:  
<https://www.happybeds.co.uk/customer-service>