



## Assembly Instructions

### Important before assembly:

Read these instructions carefully before assembling or using the product.

Please check the contents of the boxes before attempting to assemble this product. The instructions will have a checklist of parts and fittings.

Assemble the product as close to its intended final location/room as possible.

### Health & Safety:

This product or some parts of this product will be heavy. Please use an assistant when lifting.

Please keep small parts out of reach of children.

Always use on a level, even surface.

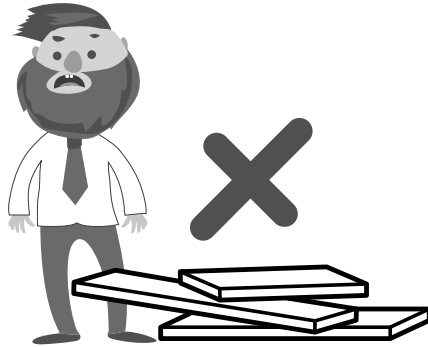
DO NOT jump on the product or any of its parts.

DO NOT use this product if any parts are missing, damaged or worn.

DO NOT use this product unless all fixings are secured.

**Further instructions are on the following pages.**

Please keep these instructions for future reference.



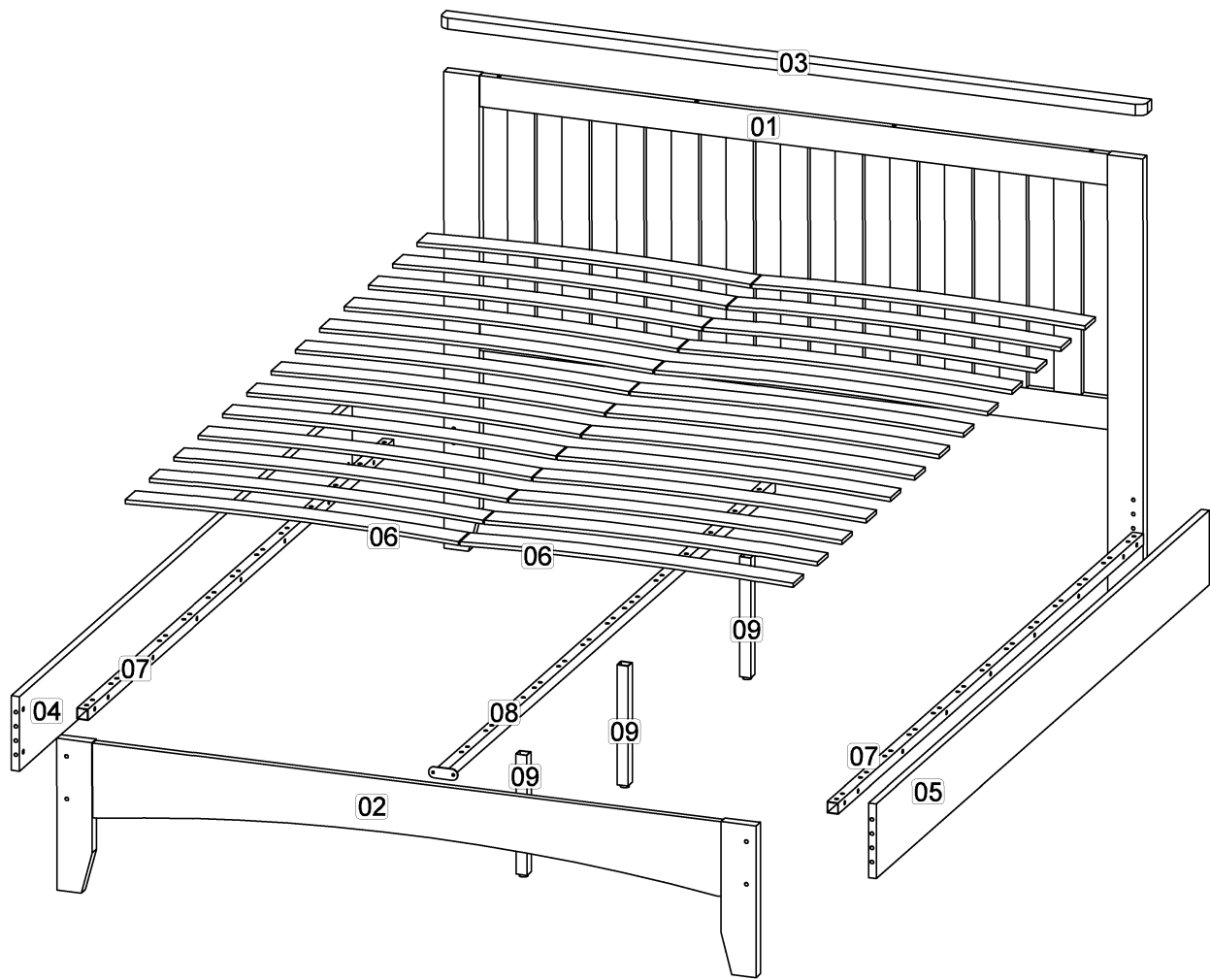
This product or some parts of this product will be heavy. Please use an assistant when lifting.



Never drag or push the pieces across a hard or stone floor as this will cause damage to the joints. Use a carpet or a rug for extra care.















If you have problems assembling or have damaged or missing pieces, please contact our customer services (details at the back of these instructions)



### Parts List

Part	Description	Box	Qty
01	Headboard	1	1
02	Footboard	1	1
03	Headboard top tray	2	1
04	Bed side ( Left )	2	1
05	Bed side ( Right )	2	1
06	Bend LVL wood slat	2	26
07	Metal side bar	2	2
08	Metal center bar	2	1
09	Metal center plate	2	3

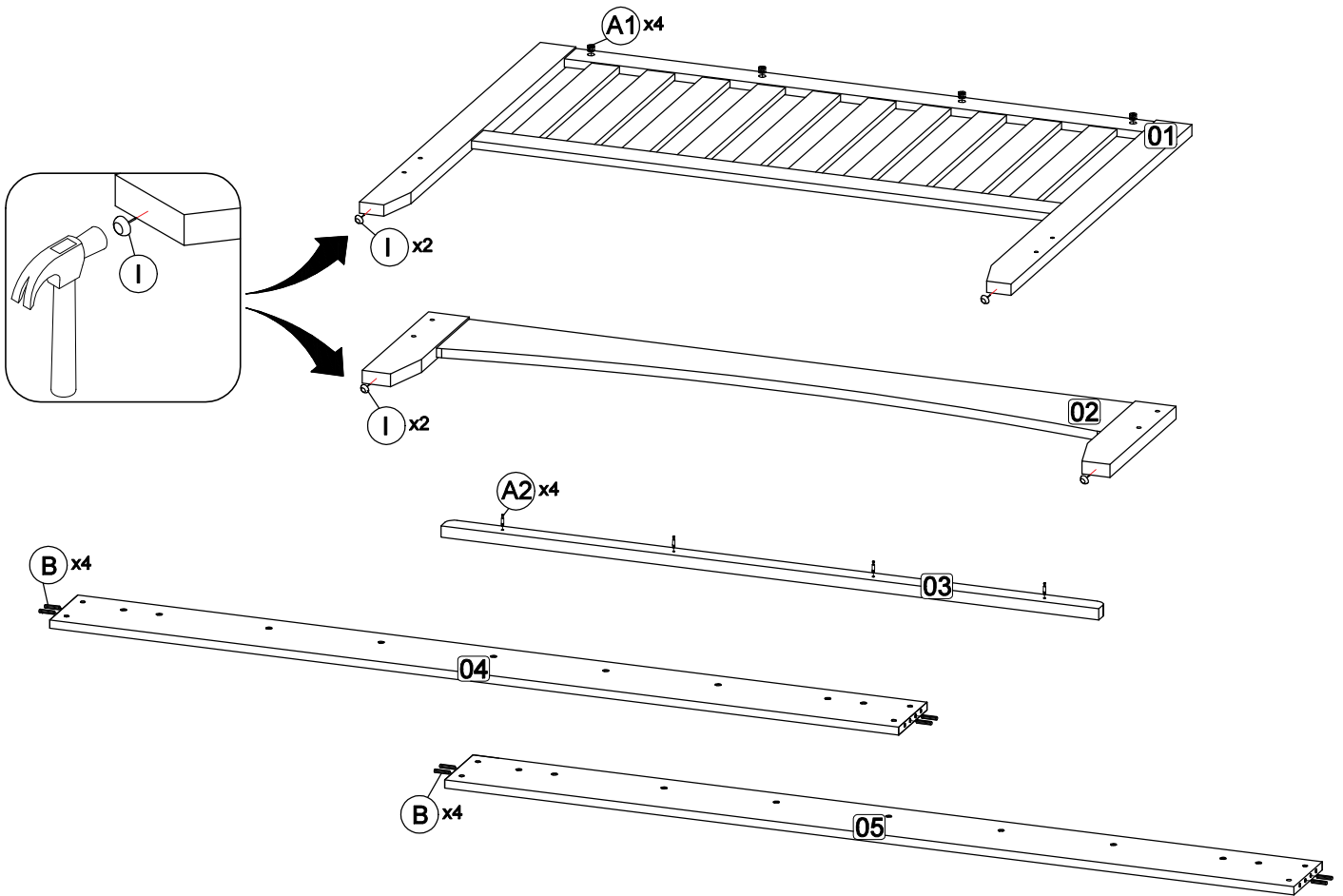
### Hardware List ( BOX 2 )

Part	Description	Qty
A1	Cam lock 	4
A2	Minifix screw 	4
B	M8 x 40mm Wood Dowel 	8
C	M3.5 x 16mm C.B Screw 	2
D	Allen key M4 	1
E	JCBC screw M6 x 35mm 	18
F	JCBC screw M6 x 50mm 	3
G	JCBC screw M6 x 60mm 	8
H	JRN Nut M6 x 10 x 13mm 	8
I	PVC Nail leg 5/8 	4
J	Plastic cap ( Single ) 	26
K	Plastic cap ( Center ) 	13

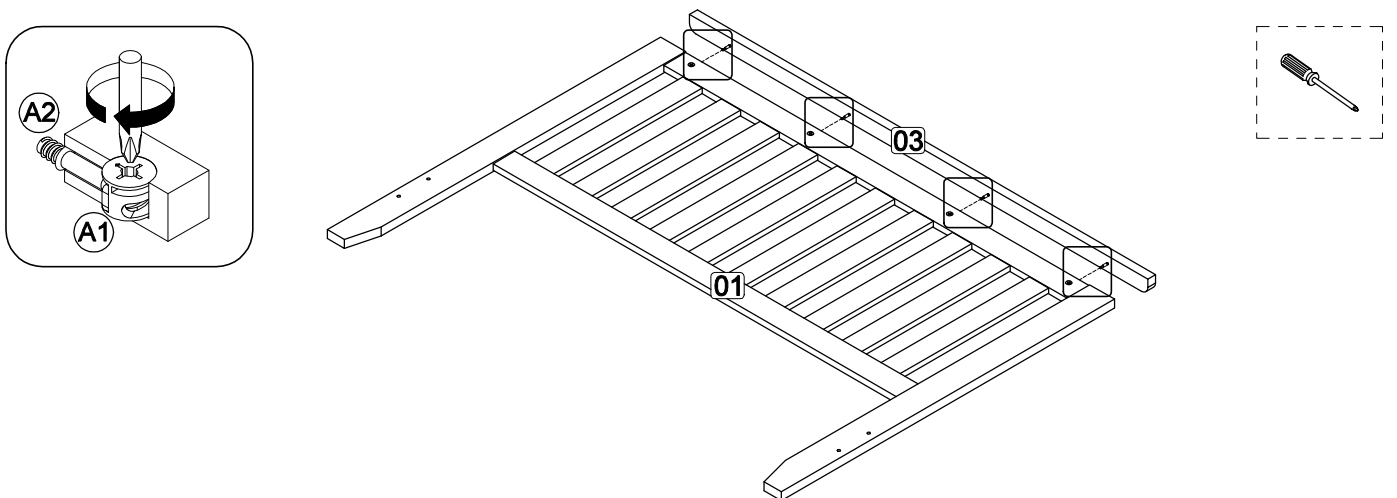
**\*\* You will need a small mallet and a screwdriver for assembly.**

**\*\* Some screws and wooden dowel may remain.**

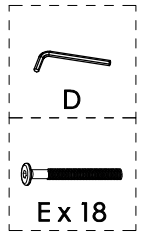
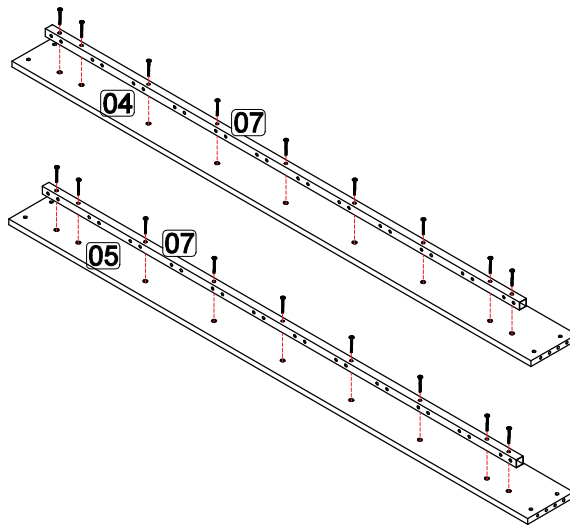
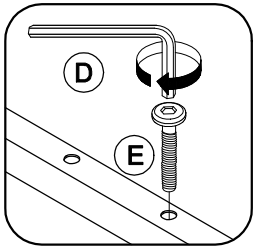
**Step 1: Prepare these parts for assembly using hardware parts A1, A2, B and I.**  
**DO NOT use any power tools as this may damage the frame and will invalidate any claim.**



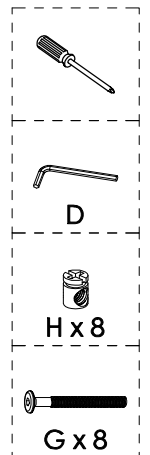
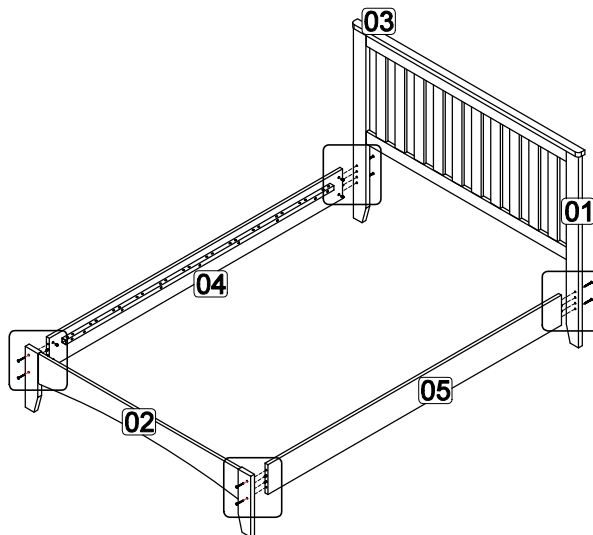
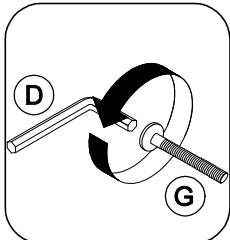
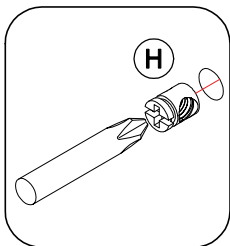
**Step 2: Attach headboard top tray panel (3) to headboard panel (1) by using hardware A1 and A2 with a screwdriver (not provided).**  
**DO NOT use any power tools as this may damage the frame and will invalidate any claim.**



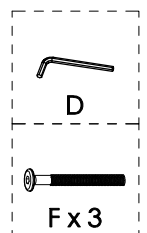
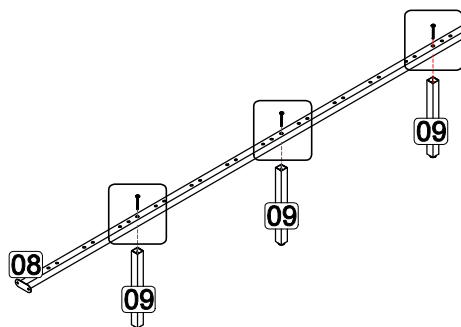
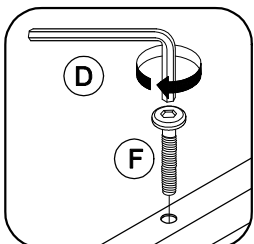
**Step 3: Attach metal side bar (7) to bed side (Left) (4) and bed side (Right) (5) using hardware D and E.  
DO NOT use any power tools as this may damage the frame and will invalidate any claim.**



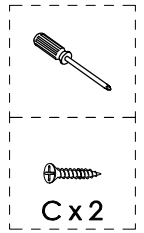
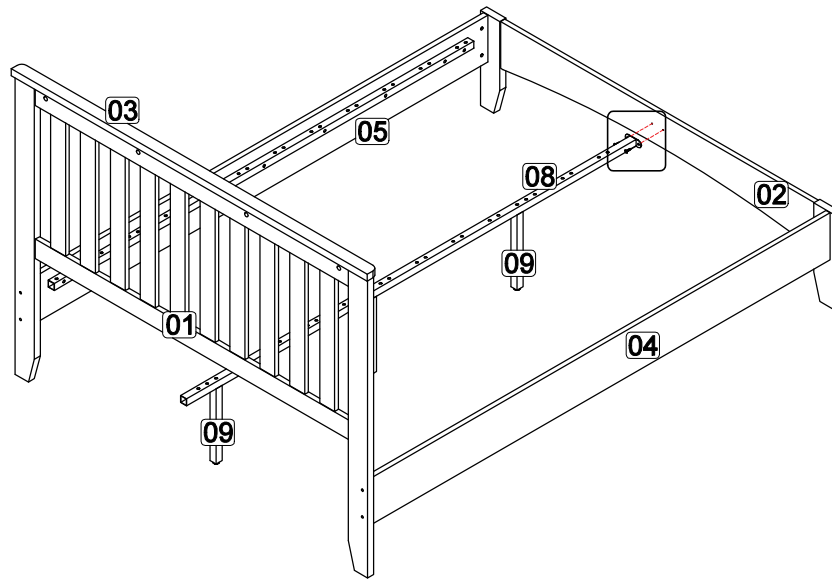
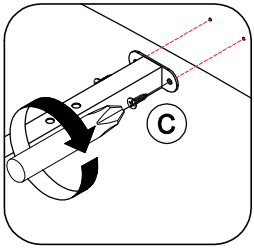
**Step 4: Insert hardware H into bedside panel (4) and (5) then attach headboard panel (1) and footboard (2) to bedside panel (4) and (5) by using hardware D and G.  
DO NOT use any power tools as this may damage the frame and will invalidate any claim.**



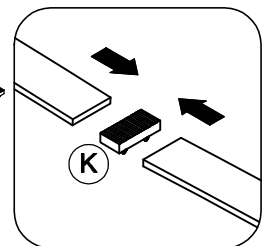
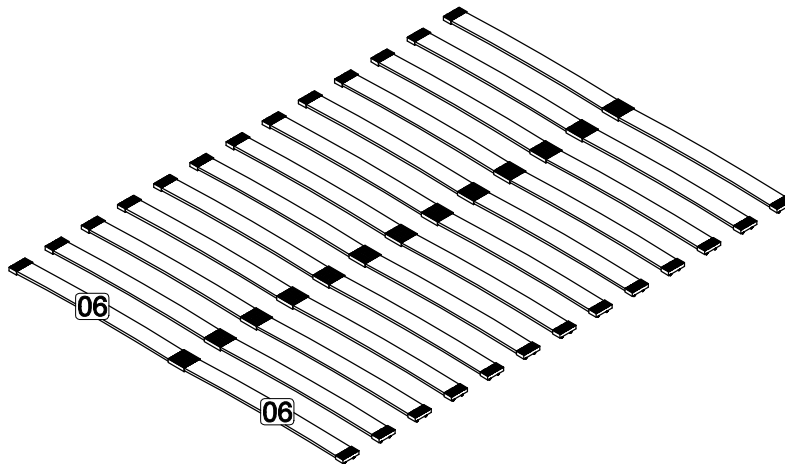
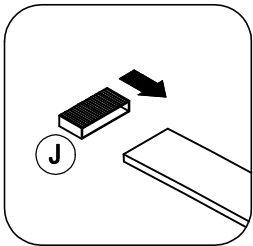
**Step 5: Attach metal center plate (9) to metal center bar (8) using hardware D and F.  
DO NOT use any power tools as this may damage the frame and will invalidate any claim.**



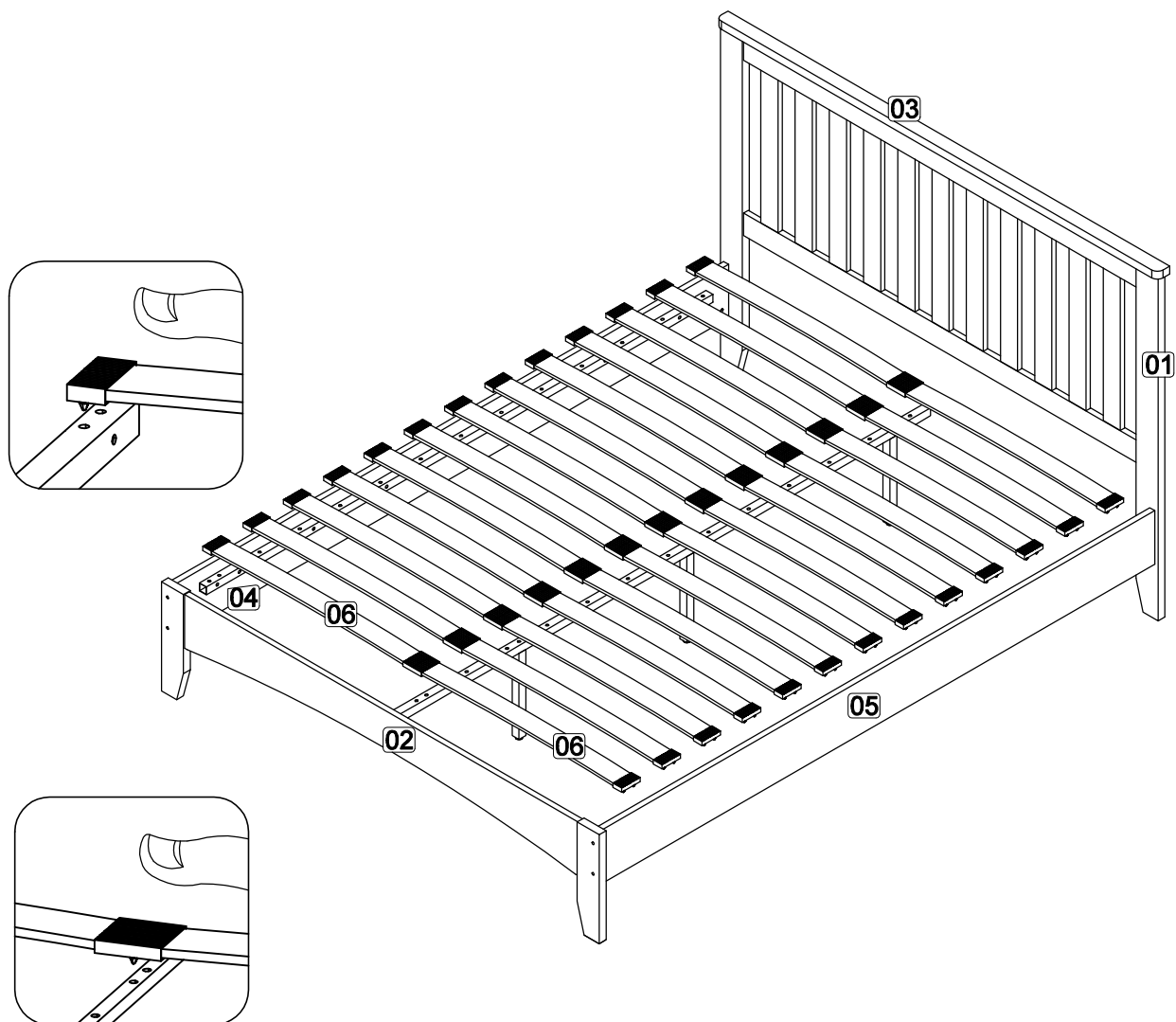
**Step 6:** Attach metal center bar (8) to footboard panel (2) using hardware C and screwdriver (not provided).  
**DO NOT use any power tools as this may damage the frame and will invalidate any claim.**



**Step 7:** Assemble hardware J and K to bend LVL wood slat (6) by hand.  
**DO NOT use any power tools as this may damage the frame and will invalidate any claim.**



**Step 8:** Assemble hardware J and K onto mounting position on metal center bar (8), bed side (4) and (5) by using hand.  
**DO NOT** use any power tools as this may damage the frame and will invalidate any claim.



Please dispose of all packaging safely.

## General Care & Maintenance

Wipe clean with a slightly damp cloth.  
Avoid the use of all household cleaners and abrasives.

Periodically check all screw & fixings to ensure they are secure.

When moving your product, carefully lift into place. Never drag or push the product across the floor as this will cause damage to the joints. If the product is used on hard flooring, such as wood or laminated floor, you must place some protection under the legs to stop the product from moving. If this is not adhered to, it could result in failure to the product that will invalidate the warranty.

For more information on cleaning and product care visit:  
<https://www.happybeds.co.uk/help-and-advice>

## Notes

In the unlikely event that you have problems putting this product together or have damaged or missing parts, please contact us by visiting:  
<https://www.happybeds.co.uk/customer-service>