



Assembly Instructions

Important before assembly:

Read these instructions carefully before assembling or using the product.

Please check the contents of the boxes before attempting to assemble this product. The instructions will have a checklist of parts and fittings.

Assemble the product as close to its intended final location/room as possible.

Health & Safety:

This product or some parts of this product will be heavy. Please use an assistant when lifting.

Please keep small parts out of reach of children.

Always use on a level, even surface.

DO NOT jump on the product or any of its parts.

DO NOT use this product if any parts are missing, damaged or worn.

DO NOT use this product unless all fixings are secured.

Further instructions are on the following pages.

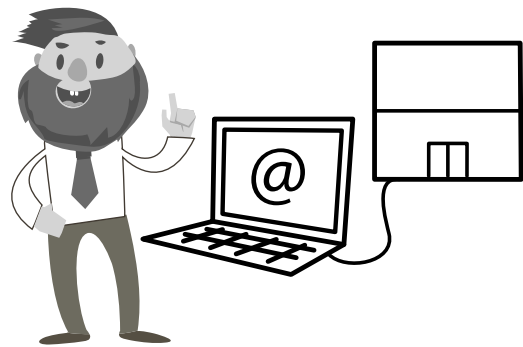
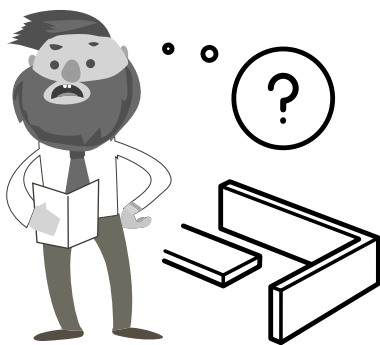
Please keep these instructions for future reference.



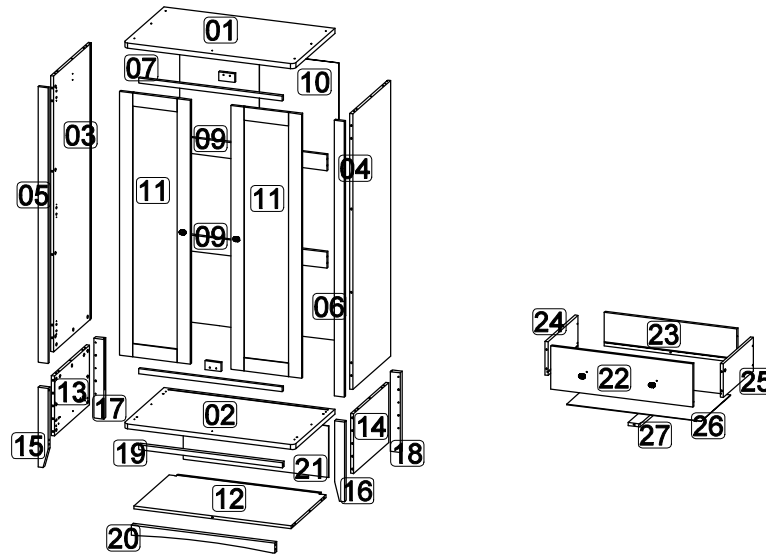
This product or some parts of this product will be heavy. Please use an assistant when lifting.



Never drag or push the pieces across a hard or stone floor as this will cause damage to the joints. Use a carpet or a rug for extra care.







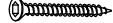



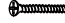








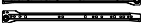





If you have problems assembling or have damaged or missing pieces, please contact our customer services (details at the back of these instructions)



Parts List

Part	Description	Box	Qty
01	Top panel	1	1
02	Middle panel	1	1
03	Up side (Left)	2	1
04	Up side (Right)	2	1
05	Side bar (Left)	2	1
06	Side bar (Right)	2	1
07	Front bar up	1	2
08	Door block	2	2
09	Back support	2	2
10	Up back panel	2	1
11	Door panel (Left/Right)	2	2
12	Bottom panel	1	1
13	Down side (Left)	1	1
14	Down side (Right)	1	1
15	Front leg (Left)	1	1
16	Front leg (Right)	1	1
17	Back leg (Left)	1	1
18	Back leg (Right)	1	1
19	Front bar down	1	1
20	Leg panel	1	1
21	Down back panel	2	1
22	Drawer front	1	1
23	Drawer back	1	1
24	Drawer side (Left)	1	1
25	Drawer side (Right)	1	1
26	Bottom drawer	2	1
27	Drawer bone	1	1

Hardware List (BOX 1)

Part	Description	Qty
A1	Cam lock 	51
A2	Minifix screw 	51
A3	Plastic cap 	51
B	M8 x 30mm Wood Dowel 	36
C	M6 x 60mm CSK Cap Wood screw 	8
D	Allen key M4 	1
E	M3.5 x 16mm C.B Screw 	56
F	M4 x 20mm C.B Screw 	20
G	M4 x 25mm C.B Screw 	4
H	M4 x 38mm C.B Screw 	4
I	PVC nail leg 5/8 	4
J	Handle screw M4 x 22mm 	4
K	Knob 5166028 SS 	4
L	S125 - Double hole fitting 	8
M	PVC Block 	10
N1	Stud 192 	12
N2	Stud 192 screw 	12
O1	16" Drawer slide (Left / Right) 	2
O2	16" Drawer slide (Left / Right) 	2
P	7/8 Hinges 	6
Q	433 Oval tube bracket 	2
R	433 Oval tube pipe 	1
S	8" x 1" PP tape 	2

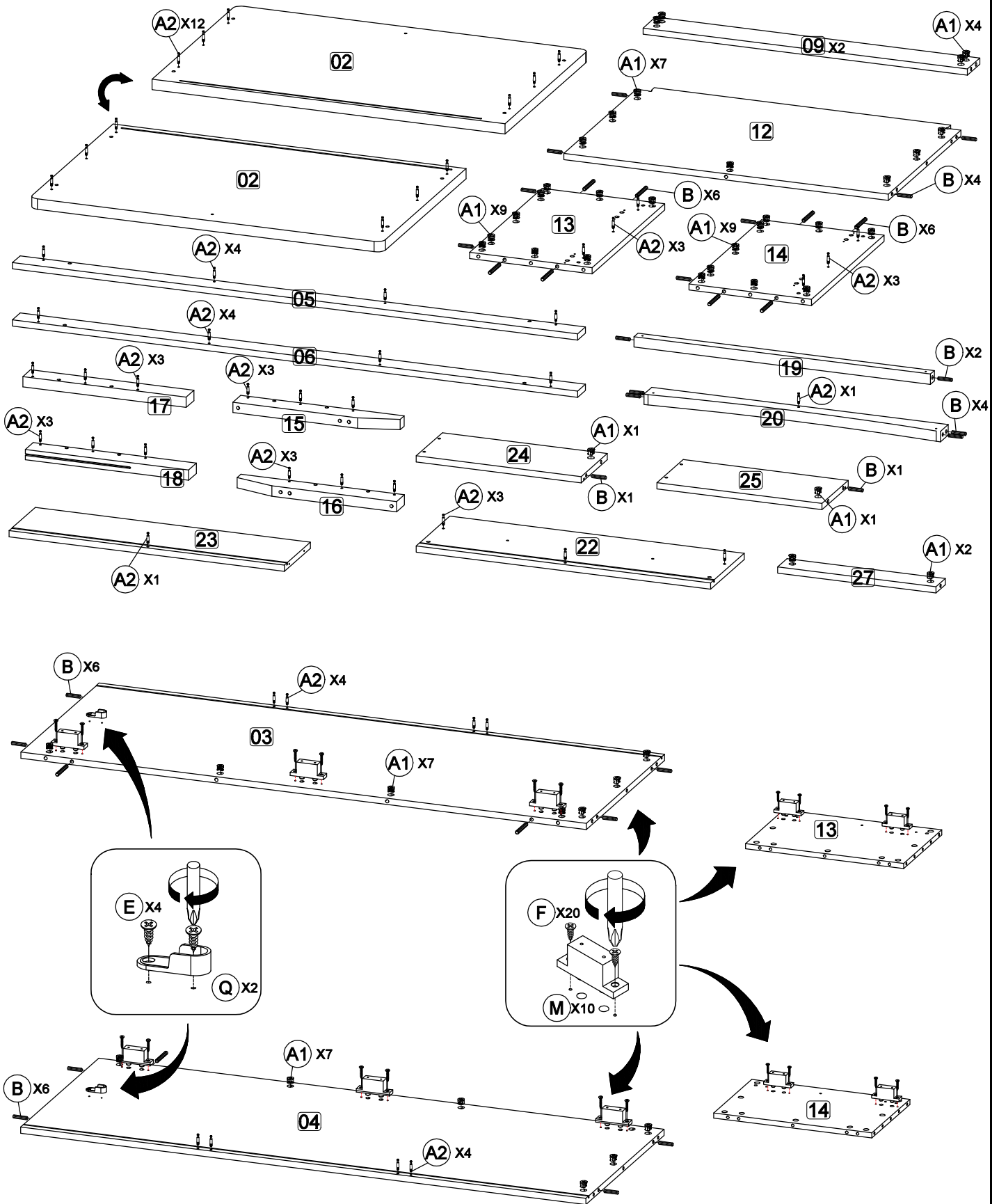
**** You will need a small mallet and a screwdriver for assembly.**

**** Some screws and wooden dowel may remain.**

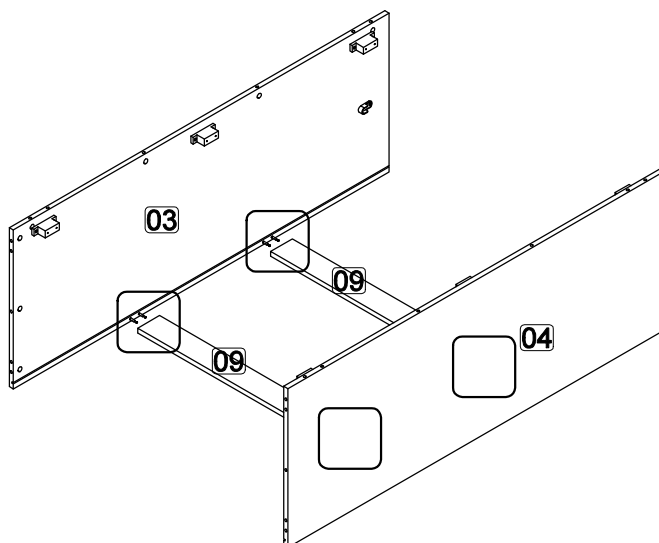
**** Note : Note : To secure the item to the wall we recommend you use wall plugs and screw.**

These are not provided in the fixing kit.

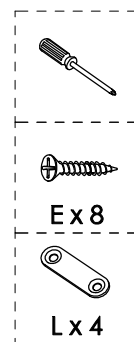
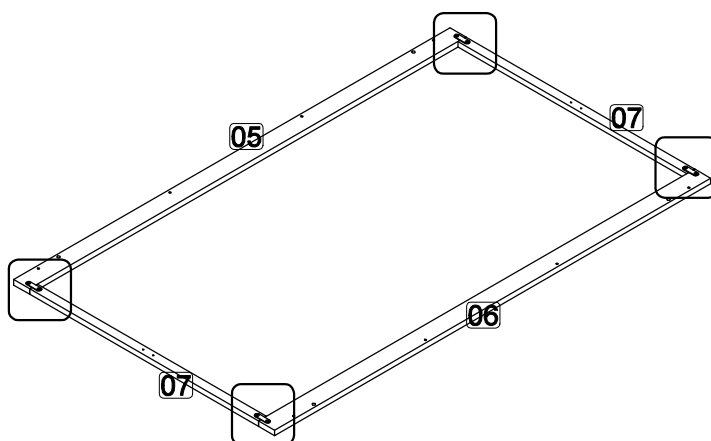
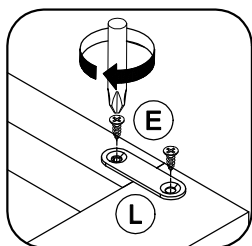
Step 1: Prepare these parts for assembly using hardware parts A1, A2, B, E, F, M and Q.
DO NOT use any power tools as this may damage the frame and will invalidate any claim.



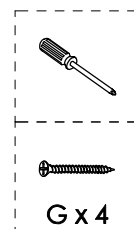
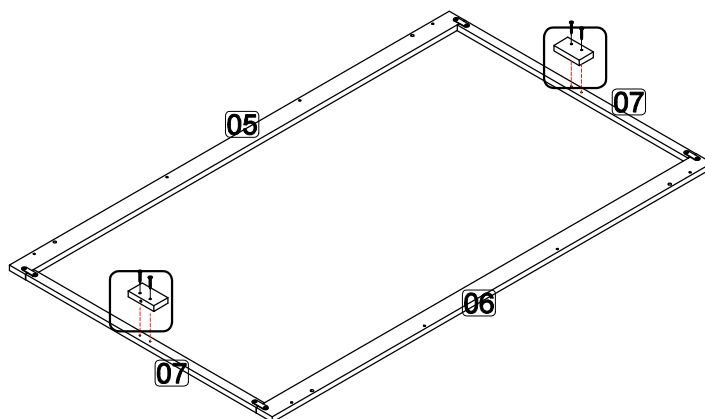
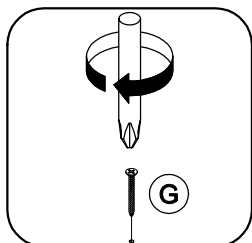
Step 2: Assemble up side panel (3) and (4) to back support (9).
DO NOT use any power tools as this may damage the frame and will invalidate any claim.



Step 3: Fix hardware L into side bar (5), (6), and front bar up (7) using hardware E with a screwdriver(not provided).
DO NOT use any power tools as this may damage the frame and will invalidate any claim.

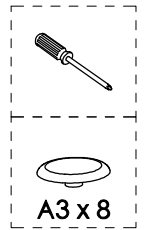
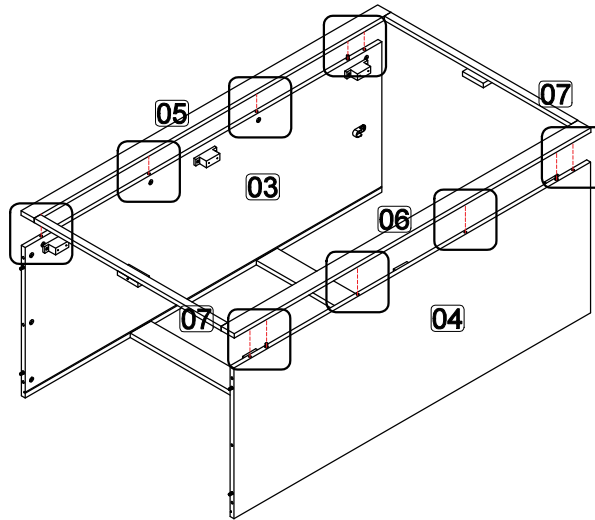
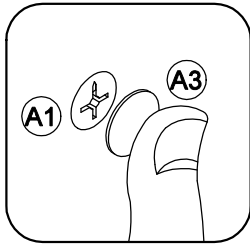
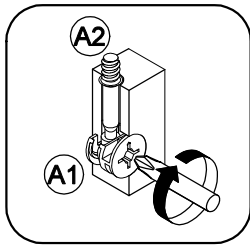


Step 4: Attach door block (8) to front bar up (7) using hardware (G) with a screwdriver (not provided).
DO NOT use any power tools as this may damage the frame and will invalidate any claim.



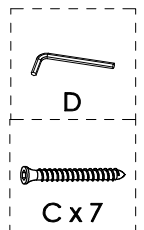
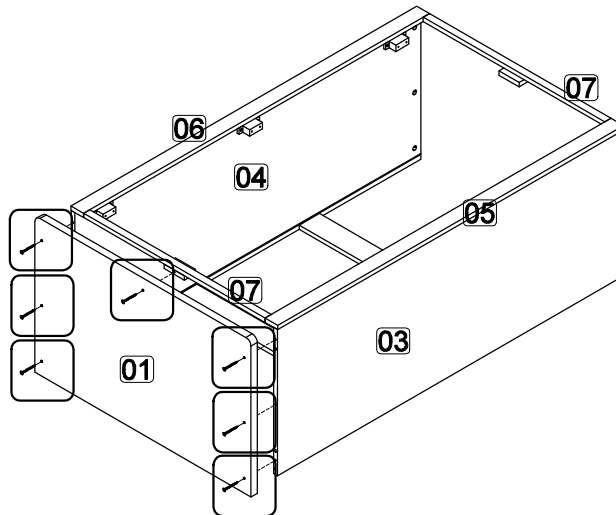
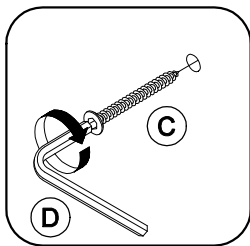
Step 5: Attach side bar (5) and (6) to up side panel (3) and (4) using hardware A1 and A2 with a screwdriver (not provided).

DO NOT use any power tools as this may damage the frame and will invalidate any claim.



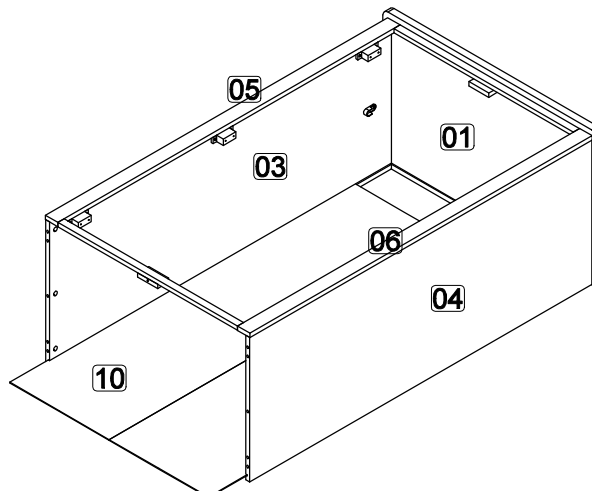
Step 6: Attach top panel (1) to side panel (3), (4) and door block (8) using hardware C and D.

DO NOT use any power tools as this may damage the frame and will invalidate any claim.



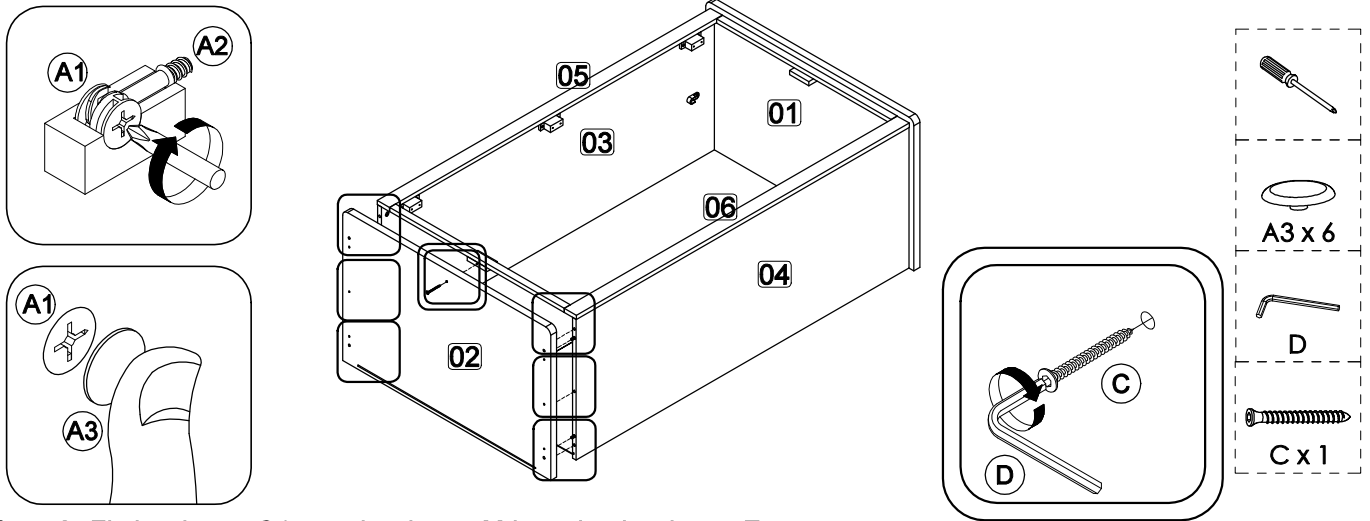
Step 7: Assemble the up back panel (10) along the slot at up side panel (3) and (4).

DO NOT use any power tools as this may damage the frame and will invalidate any claim.



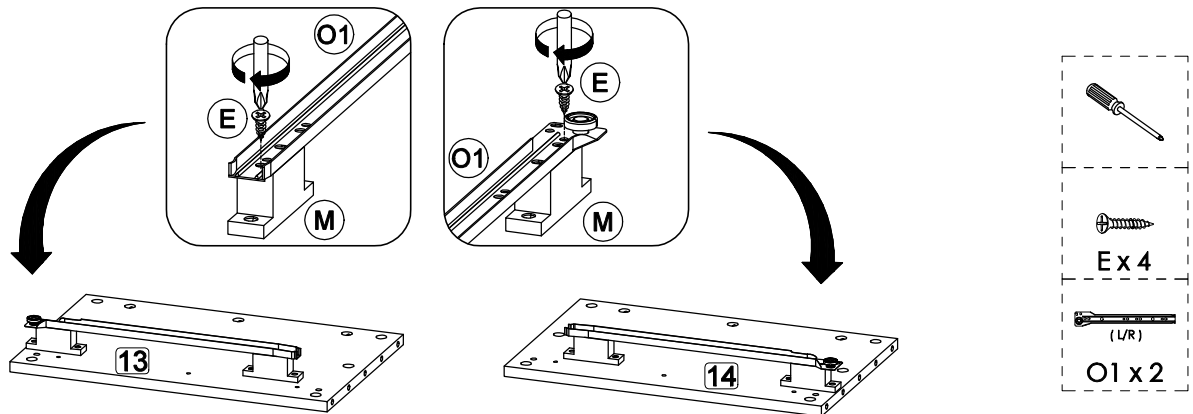
Step 8: Attach middle panel (2) to side panel (3), (4) using hardware A1 and A2 with a screwdriver (not provided) then attach door block (8) to middle panel (2) using hardware C and D.

DO NOT use any power tools as this may damage the frame and will invalidate any claim.



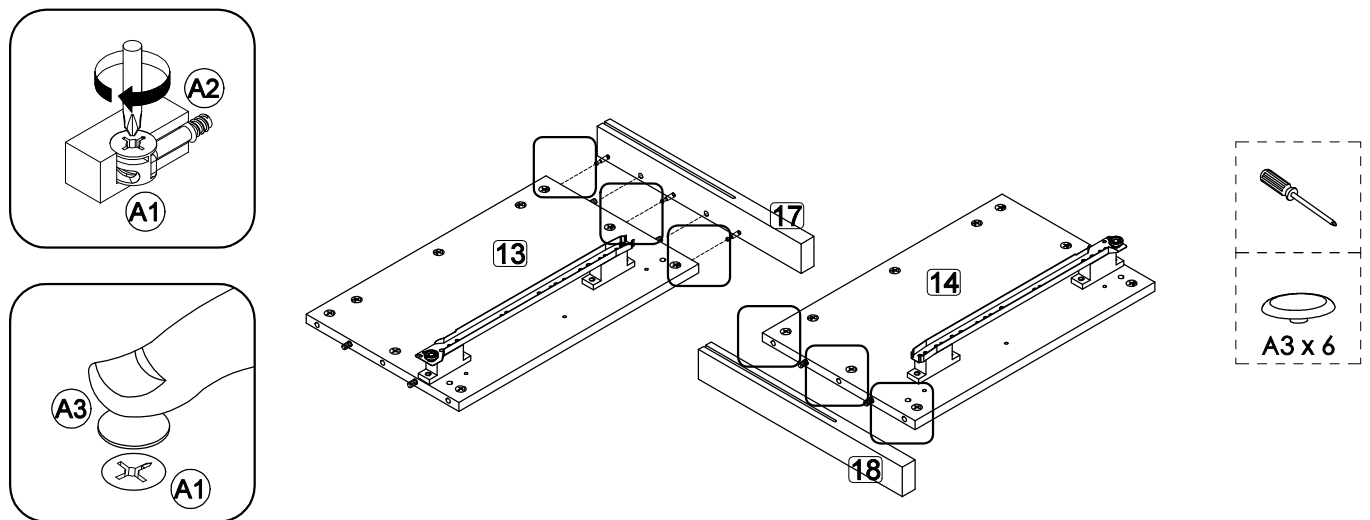
Step 8: Fix hardware O1 onto hardware M by using hardware E.

DO NOT use any power tools as this may damage the frame and will invalidate any claim.



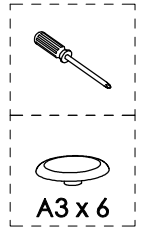
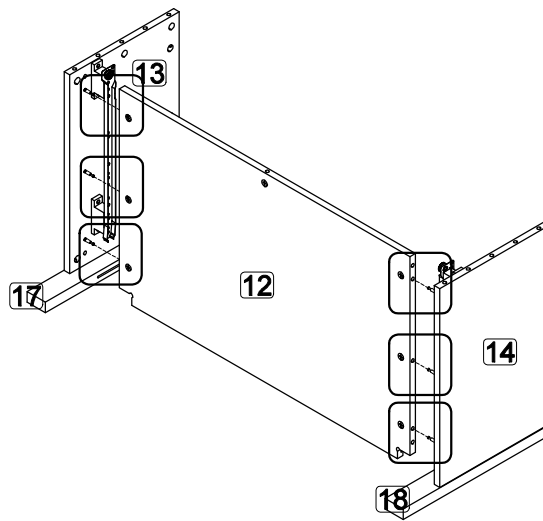
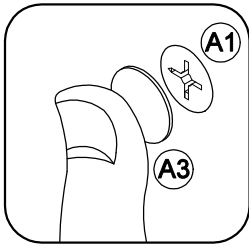
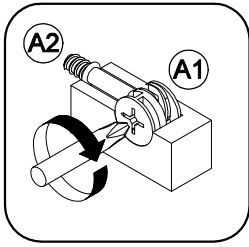
Step 9: Attach back leg (17) to down side panel (13) then back leg (18) to down side panel (14) using hardware A1 and A2 with a screwdriver (not provided).

DO NOT use any power tools as this may damage the frame and will invalidate any claim.



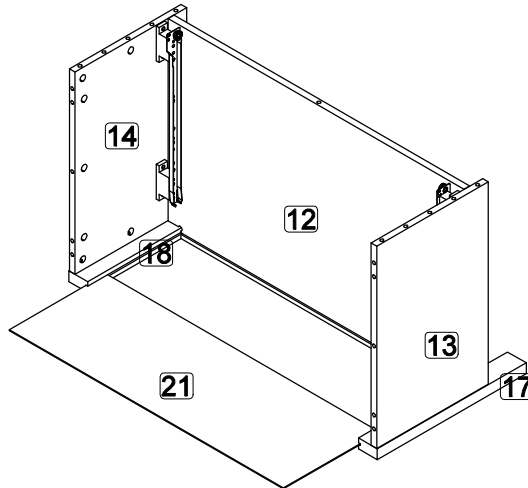
Step 10: Attach down side panel (13) and (14) to bottom panel (12) using hardware A1 and A2 with a screwdriver (not provided).

DO NOT use any power tools as this may damage the frame and will invalidate any claim.



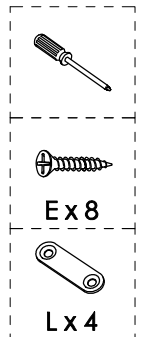
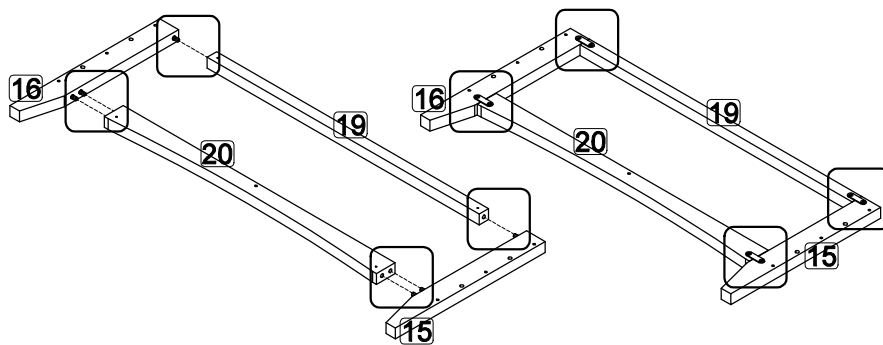
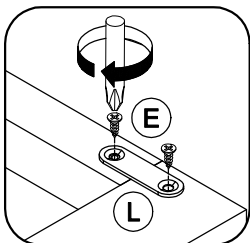
Step 11: Assemble the down back panel (21) along the slot at back leg (17) and (18).

DO NOT use any power tools as this may damage the frame and will invalidate any claim.

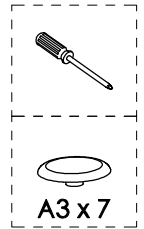
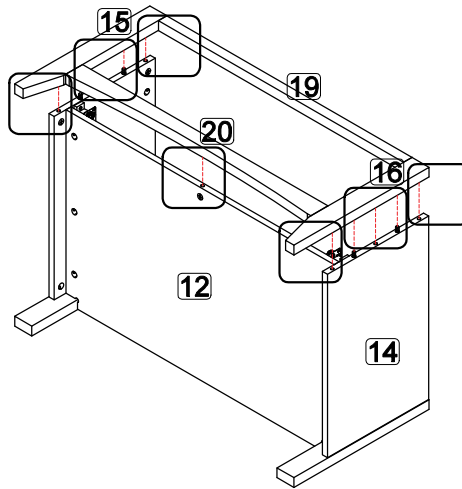
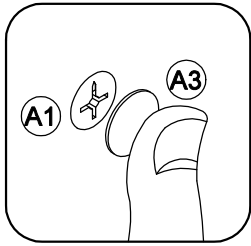
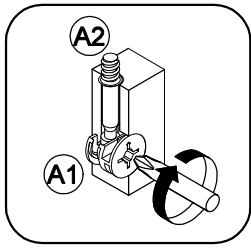


Step 12: Assemble front leg (15) and (16) to front bar down (19) and leg panel (20). Then fix hardware L onto front leg (15), (16), front bar down (19) and leg panel (20) using hardware E with a screwdriver. (not provided)

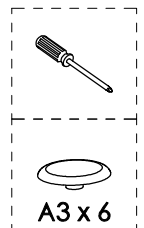
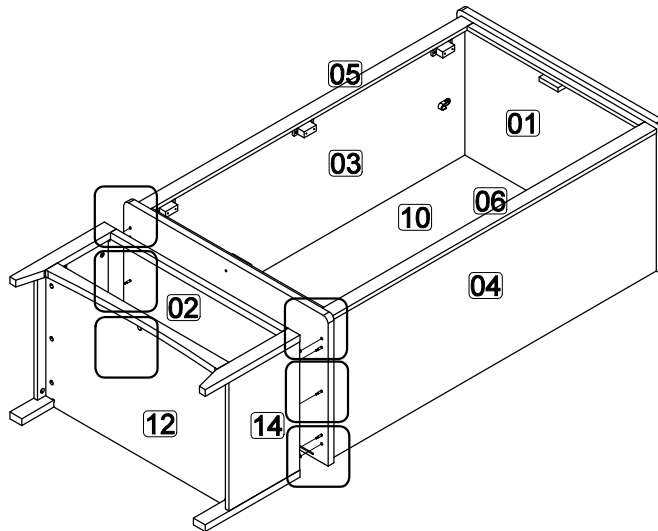
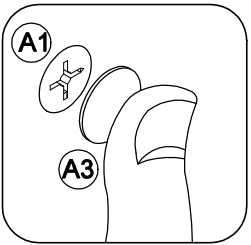
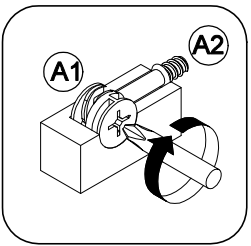
DO NOT use any power tools as this may damage the frame and will invalidate any claim.



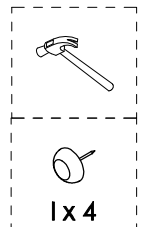
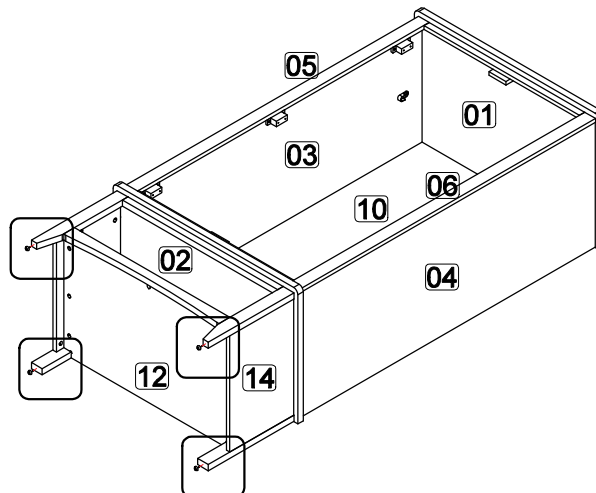
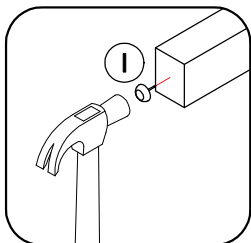
Step 13: Attach front leg (15), (16) and leg panel (20) to down side panel (13), (14) and bottom panel (12) using hardware A1 and A2 with a screwdriver (not provided).
DO NOT use any power tools as this may damage the frame and will invalidate any claim.



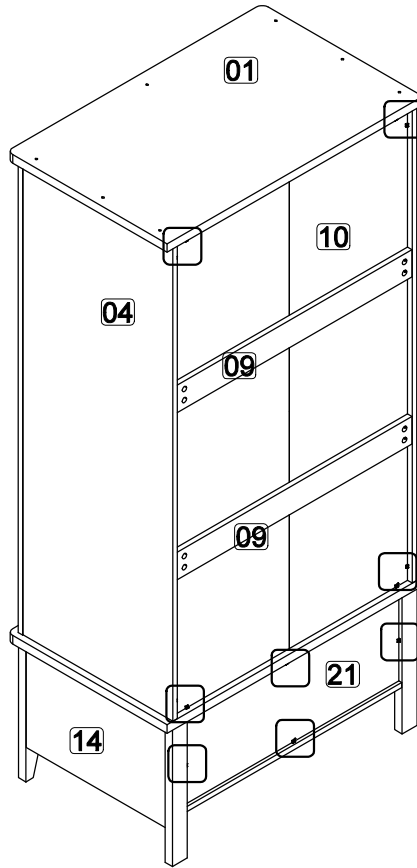
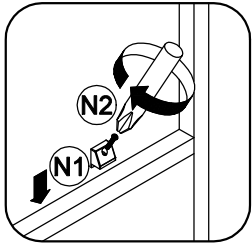
Step 14: Attach down side panel (13) and (14) to middle panel (2) using hardware A1 and A2 with a screwdriver (not provided).
DO NOT use any power tools as this may damage the frame and will invalidate any claim.



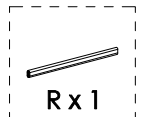
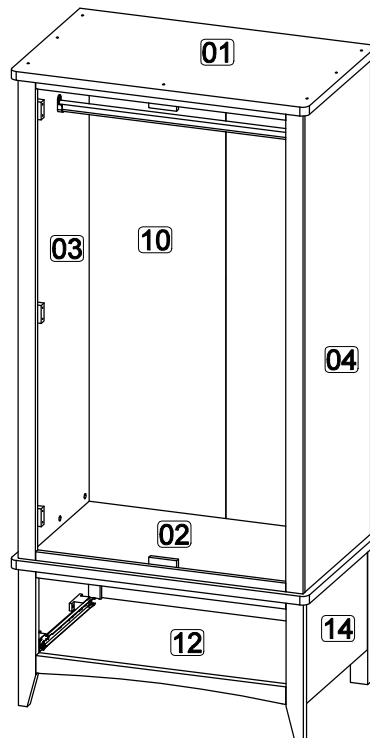
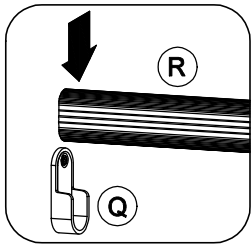
Step 15: Hit hardware I into bottom of front leg (15), (16), back leg (17) and (18) with a hammer (not provided).
DO NOT use any power tools as this may damage the frame and will invalidate any claim.



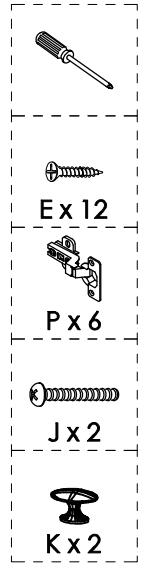
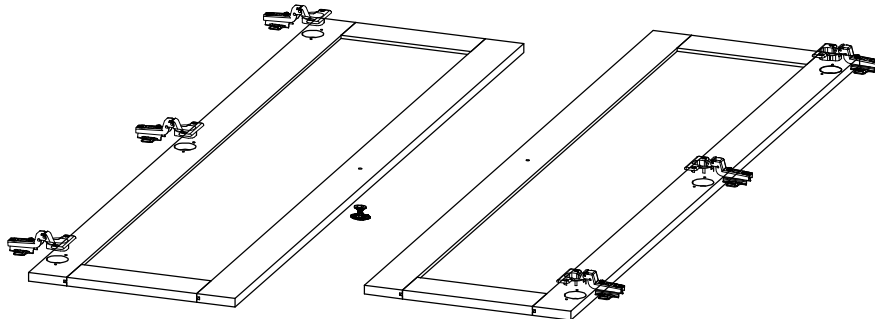
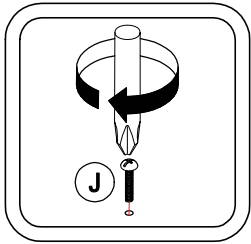
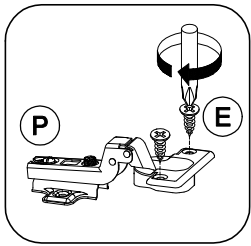
Step 16: Attach hardware N1 into slot at top panel (1), bottom panel (2), up side panel (3), (4), back leg (17), (18) and bottom panel (20) by using hardware N2 with a screwdriver (not provided).
DO NOT use any power tools as this may damage the frame and will invalidate any claim.



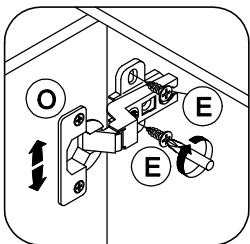
Step 17: Attach hardware R into hardware Q.
DO NOT use any power tools as this may damage the frame and will invalidate any claim.



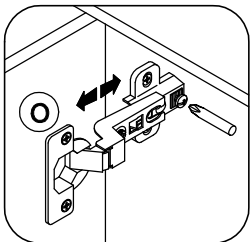
**Step 18: Fix hardware P onto door panel (11) by using hardware E.
 Fix hardware K onto door panel (11) by using hardware J.
 DO NOT use any power tools as this may damage the frame and will invalidate any claim.**



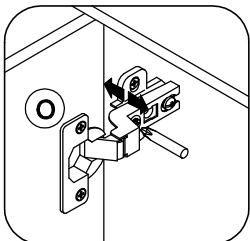
**Step 19: Attach door panel (11) to hardware M using hardware E with a screwdriver (not provided).
 DO NOT use any power tools as this may damage the frame and will invalidate any claim.**



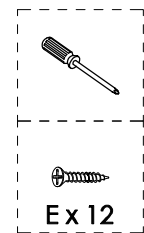
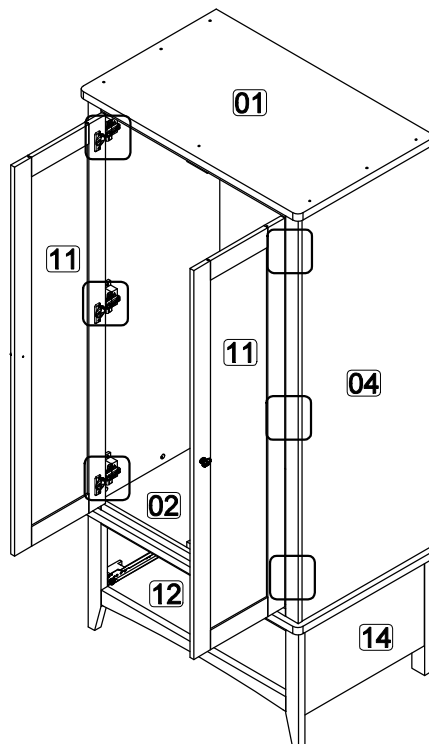
Vertical Adjustment



Horizontal Adjustment



Depth Adjustment



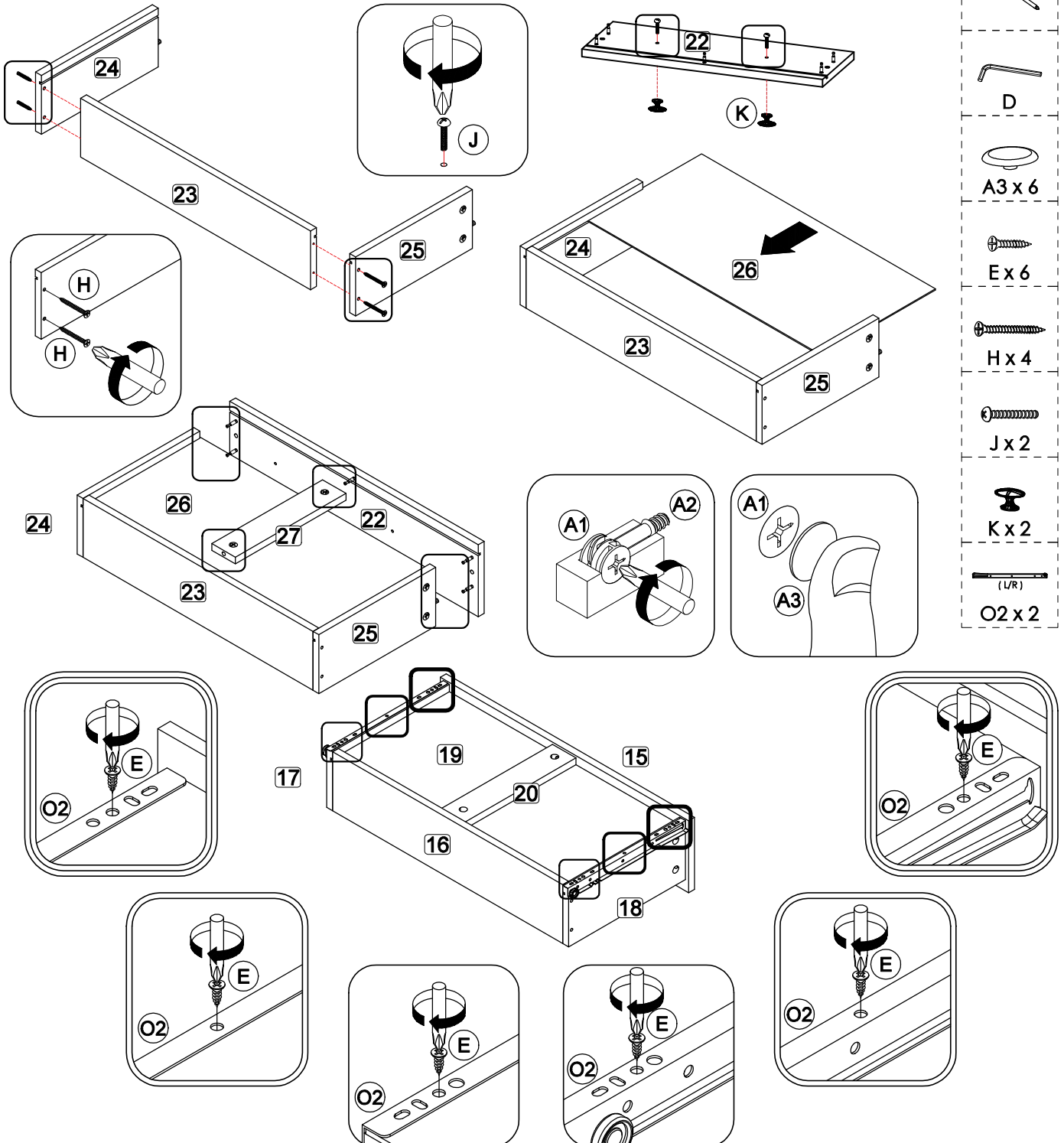
Step 20: Assemble the drawer components using hardware A3, D, E, H, J, K and O2.

In this step only show one of the drawers.

DO NOT use any power tools as this may damage the frame and will invalidate any claim.

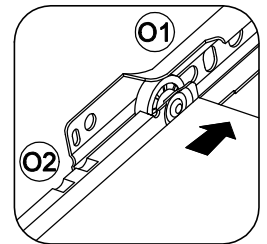
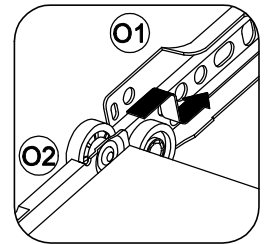
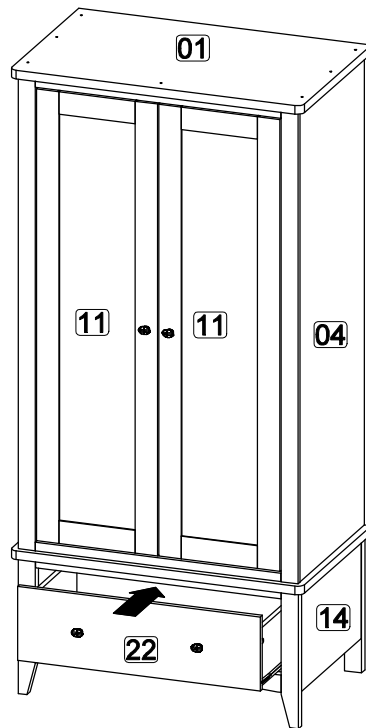
Drawer Down

1. Fix hardware K onto panel (22) by using hardware J.
2. Attach drawer side (24) and (25) to drawer back (23) using hardware (H).
3. Slide in the drawer bottom (26).
4. Attach drawer bone (27) to drawer back (23) then attach drawer front (22) to drawer side (24), (25) and drawer bone (27) using hardware A1 and A2 with a screwdriver (not provided).
5. Attach hardware (O2) to drawer sides (24) and (25) using hardware (E).



Step 21: Assemble the drawers in place along the drawer slides.

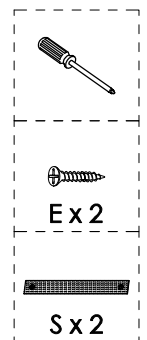
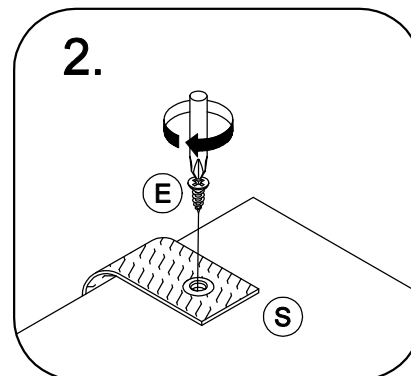
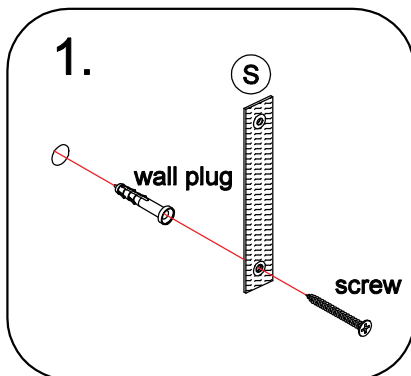
DO NOT use any power tools as this may damage the frame and will invalidate any claim.



Step 22: To secure the item to the wall use hardware S, screw and wall plug using a screwdriver (not provided).

Then attach hardware part S to the panel (1) using hardware E with a screwdriver (not provided).

DO NOT use any power tools as this may damage the frame and will invalidate any claim.



PLEASE NOTE that wall fixings are not supplied as different wall materials require different fixing devices. You must use fixings devices suitable for the type of wall you intend to mount product to. Ensure the head of any screw used has a diameter greater than the mounting hole and the fixing is safe and secure before use.

Please dispose of all packaging safely.

General Care & Maintenance

Wipe clean with a slightly damp cloth.
Avoid the use of all household cleaners and abrasives.

Periodically check all screw & fixings to ensure they are secure.

When moving your product, carefully lift into place. Never drag or push the product across the floor as this will cause damage to the joints. If the product is used on hard flooring, such as wood or laminated floor, you must place some protection under the legs to stop the product from moving. If this is not adhered to, it could result in failure to the product that will invalidate the warranty.

For more information on cleaning and product care visit:
<https://www.happybeds.co.uk/help-and-advice>

Notes

In the unlikely event that you have problems putting this product together or have damaged or missing parts, please contact us by visiting:
<https://www.happybeds.co.uk/customer-service>