

Assembly Instructions

Important before assembly:

Read these instructions carefully before assembling or using the product.

Please check the contents of the boxes before attempting to assemble this product. The instructions will have a checklist of parts and fittings.

Assemble the product as close to its intended final location/room as possible.

Health & Safety:

This product or some parts of this product will be heavy. Please use an assistant when lifting.

Please keep small parts out of reach of children.

Always use on a level, even surface.

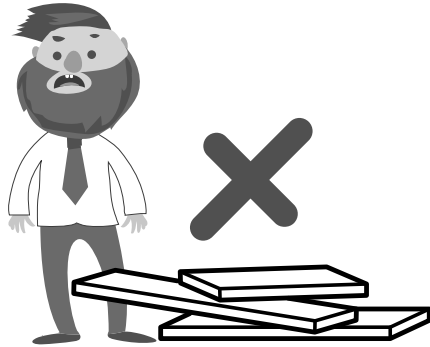
DO NOT jump on the product or any of its parts.

DO NOT use this product if any parts are missing, damaged or worn.

DO NOT use this product unless all fixings are secured.

Further instructions are on the following pages.

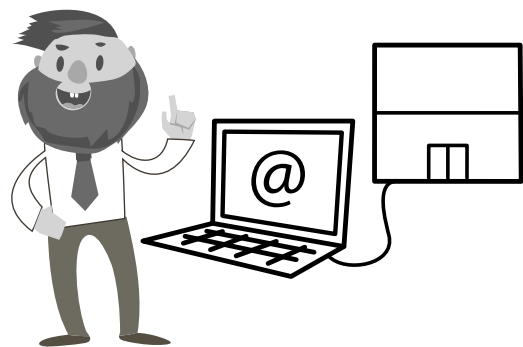
Please keep these instructions for future reference.



This product or some parts of this product will be heavy. Please use an assistant when lifting.



Never drag or push the pieces across a hard or stone floor as this will cause damage to the joints. Use a carpet or a rug for extra care.



If you have problems assembling or have damaged or missing pieces, please contact our customer services (details at the back of these instructions)

PART LIST

Polaris Bunk Bed

Carton 1 of 5

No.	Part Name	Pcs
①L	FOOTBOARD POST (LEFT)	1
①R	HEADBOARD POST (RIGHT)	1
②L	FOOTBOARD POST (LEFT)	1
②R	HEADBOARD POST (RIGHT)	1
③L	FOOTBOARD PANEL (LEFT)	2
③R	HEADBOARD PANEL (RIGHT)	2
④L	FOOTBOARD BOTTOM PANEL (LEFT)	1
④R	HEADBOARD BOTTOM PANEL (RIGHT)	1
⑬	LADDER SIDE (RIGHT)	1
⑭	LADDER SLAT	3

Carton 2 of 5

⑤	SIDE RAIL (TOP FRONT)	1
⑤A	SIDE RAIL (BOTTOM FRONT)	1
⑦	SEMI GUARD RAIL	1
⑧	FULL GUARD RAIL	2
	HARDWARE BOX	1

Carton 3 of 5

⑥	SLAT SUPPORT	4
⑨	TOP SHELF	2
⑩	BOTTOM SHELF	2
⑪	DIVIDER	4
⑫	BACK PANEL	2

Carton 4 of 5

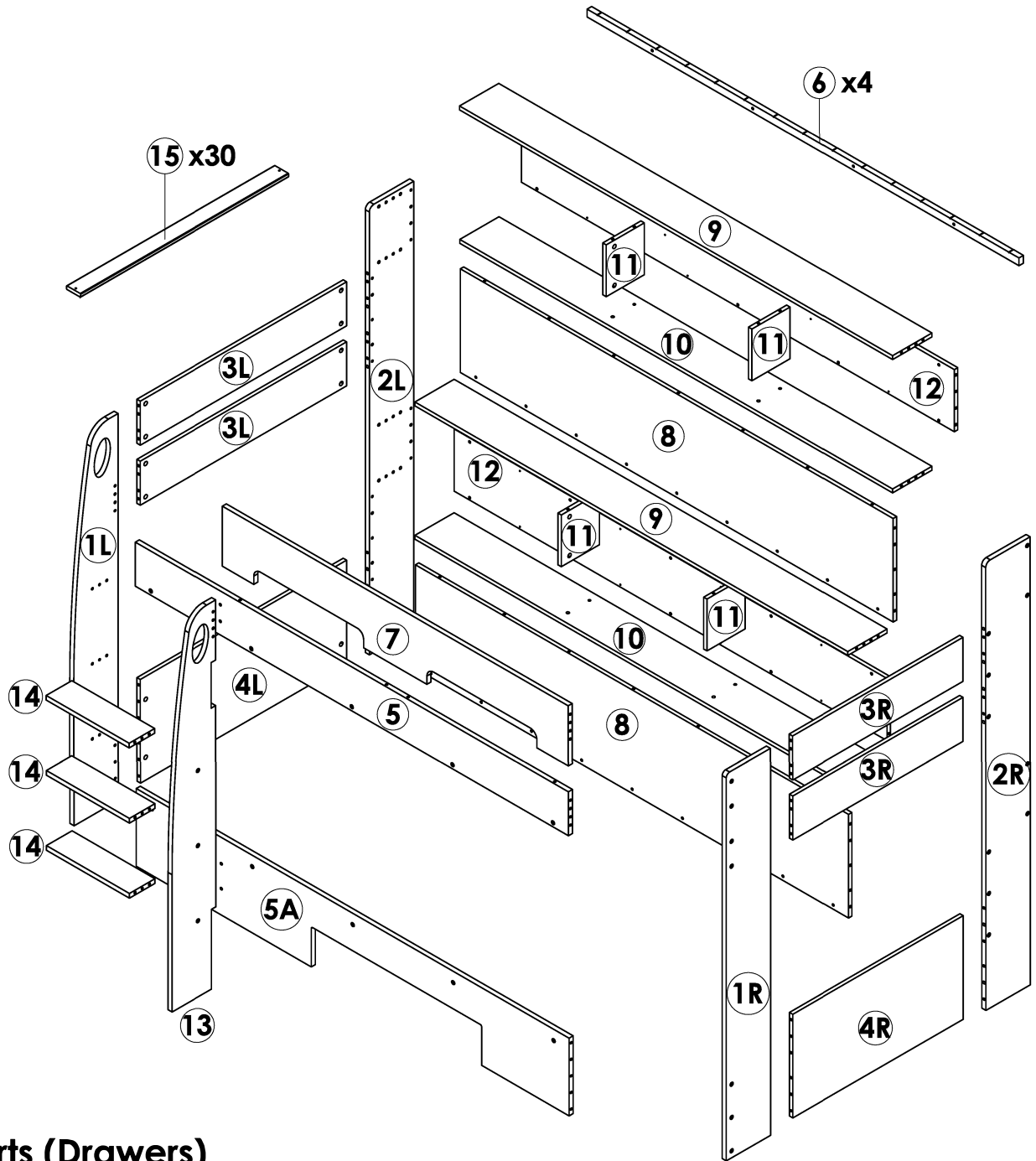
⑯	DRAWER FACE	1
⑰L	DRAWER SIDE (LEFT)	1
⑰R	DRAWER SIDE (RIGHT)	1
⑱	DRAWER REAR	1
⑲	DRAWER BASE	2
⑳	DRAWER SUPPORT BASE	2

Carton 5 of 5

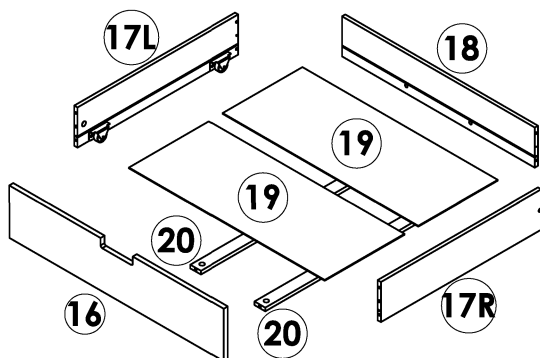
⑮	SLAT	30
---	------	----

Parts

ALL PARTS ARE LABELLED WITH NUMBER ACCORDINGLY

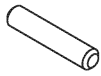


Parts (Drawers)



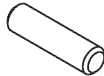
Hardware

A



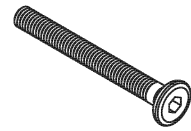
PLASTIC DOWEL (M6 x 30MM)
8 PCS

B



PLASTIC DOWEL (M8 x 30MM)
142 PCS

C



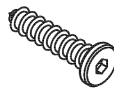
JCBC BOLT (M6 x 55MM)
44 PCS

D



JRN NUT (M6 x 13MM)
44 PCS

E



JCBC W SCREW (M7 x 32MM)
20 PCS

F



CONNECTING BOLT (24MM)
62 PCS

G



MINIFIX (9MM)
6 PCS

H



MINIFIX (12MM)
56 PCS

J



CSK C/B SCREW (M3.5 x 16MM)
4 PCS

K



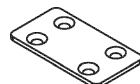
CSK C/B SCREW (M4 x 32MM)
62 PCS

L



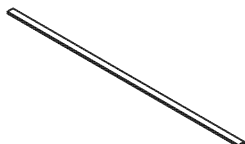
P/H RATTAN SCREW (#8 x 32MM)
20 PCS

N



BED BRACKET (30 x 55 x T1.5MM)
1 PC

P



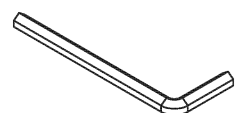
PV H PROFILE (3.5 x 720MM)
1 PC

Q



ROUND STICKER (0.5 x 21MM)
82 PCS


R

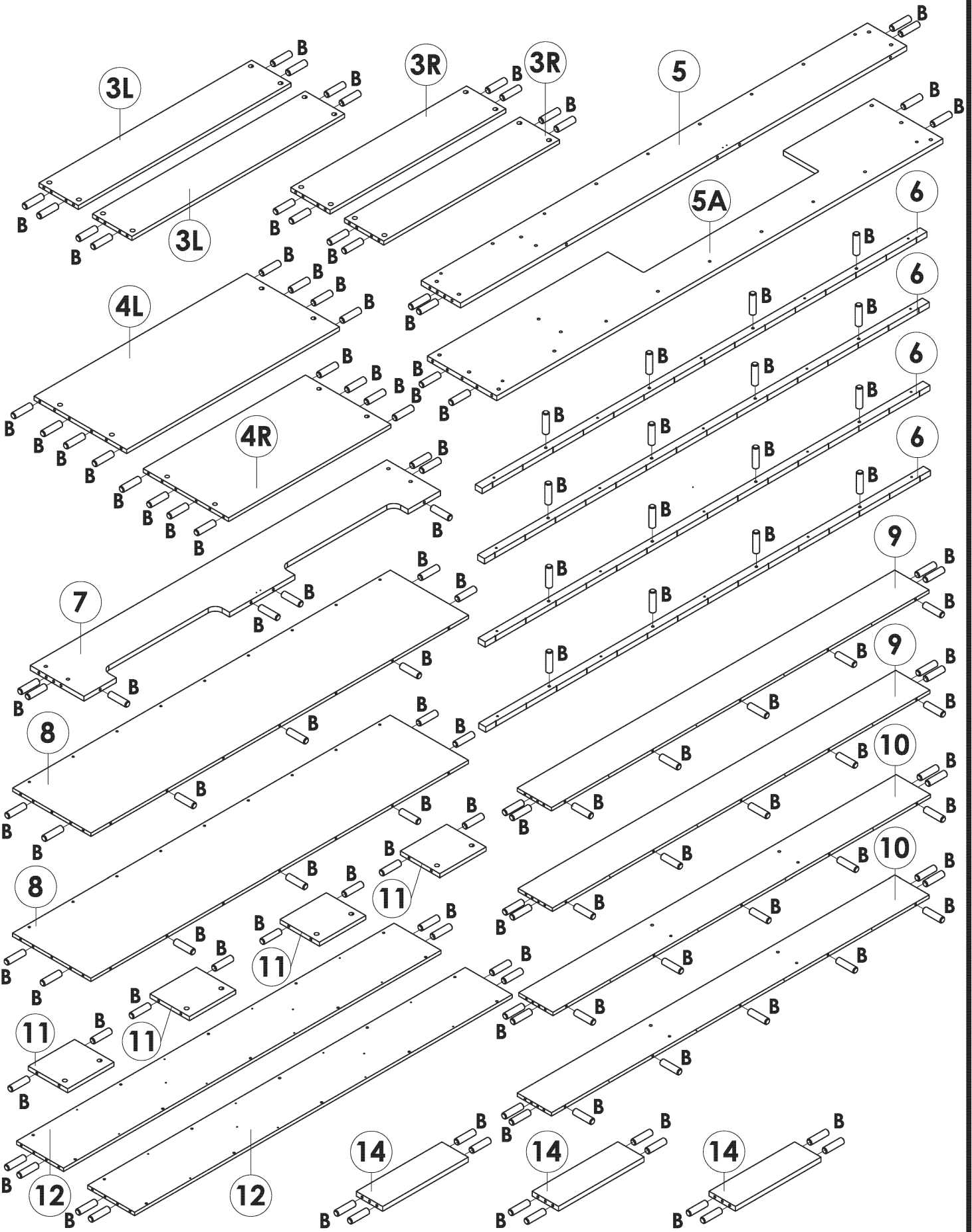


ALLEN KEY (M4 x 60MM)
1 PC

STEP 1

Insert **(B)** into Ø8MM holes on **Footboard Panel (Left), Headboard Panel (Right), Footboard Bottom Panel (Left), Headboard Bottom Panel (Right), Side Rail (Top Front), Side Rail (Bottom Front), Slat Support, Semi Guard Rail, Full Guard Rail, Top Shelf, Bottom Shelf, Divider, Back Panel and Ladder Slat**

B		142
---	---	-----

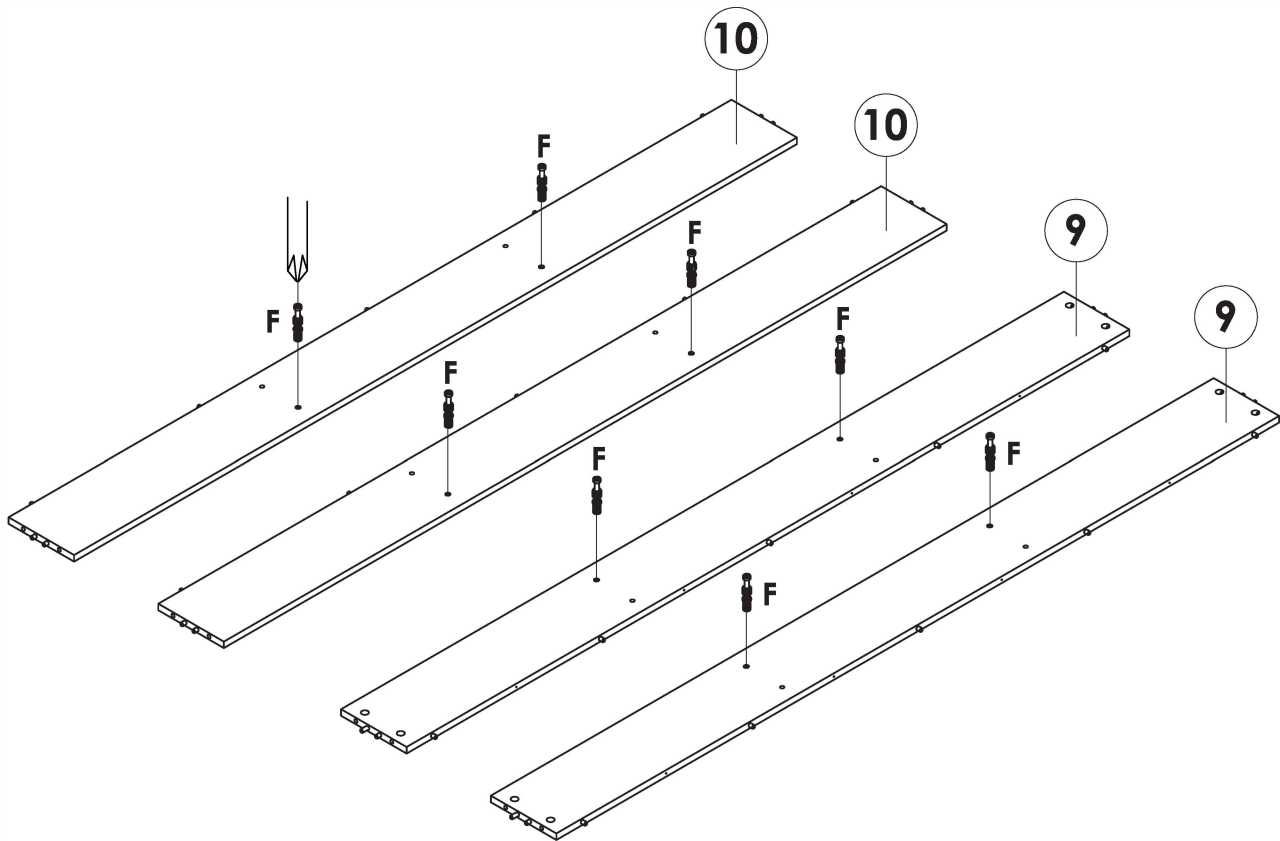
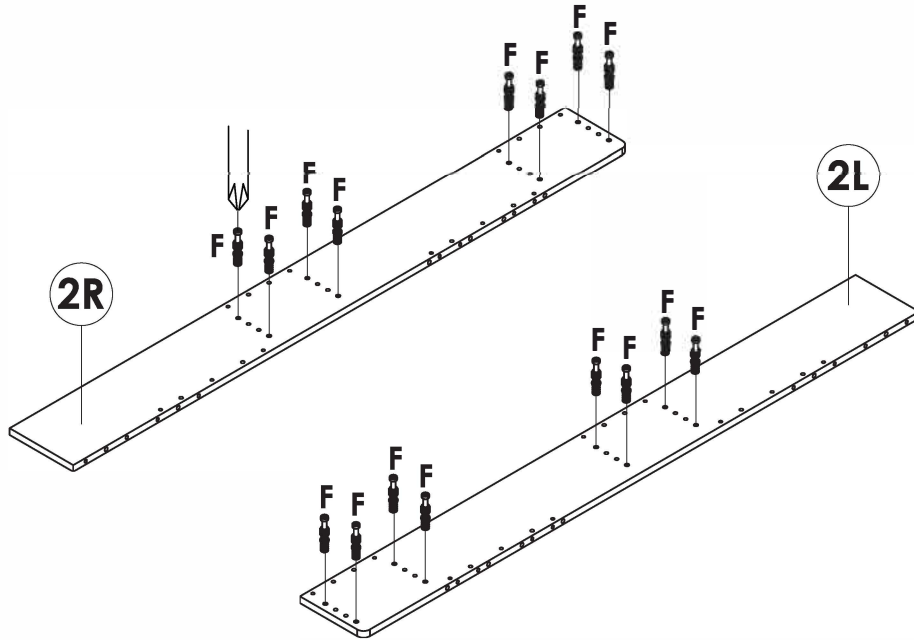


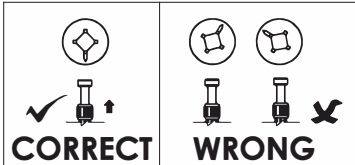
STEP 2

DO NOT use any power tools as this may damage the bed frame and will invalidate any claim.

F		24
---	---	----



Insert **(F)** into $\text{Ø}10\text{MM}$ holes on **Footboard Post (Left)**, **Headboard Post (Right)**, **Top Shelf** and **Bottom Shelf**, tighten it up by using crosshead screw driver.





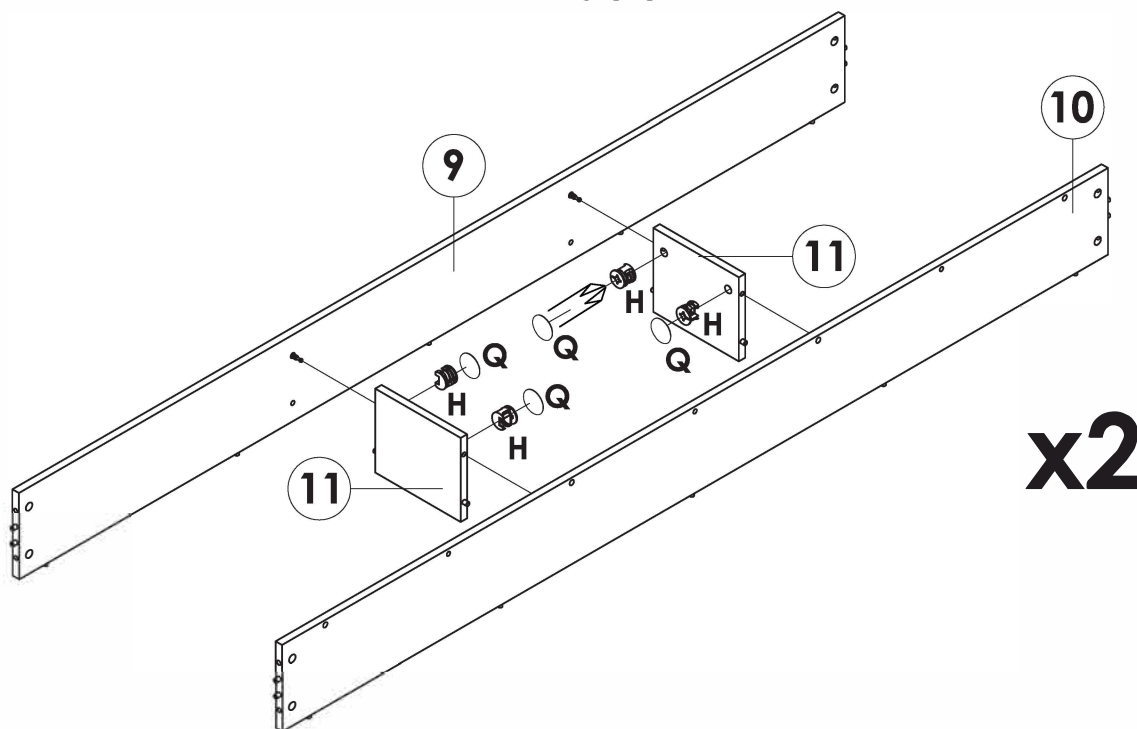
WHEN FITTING CAMS

ENSURE STARTING POSITION IS CORRECT BEFORE YOU INSERT CONNECTING BOLT TURN CLOCKWISE UNTIL SECURE.

H		8
Q		8

STEP 3

DO NOT use any power tools as this may damage the bed frame and will invalidate any claim. Attach and secure **Divider** onto **Top Shelf** and **Bottom Shelf** and insert **(H)**, tighten it up by using a Crosshead Screw Driver. Follow it up by attaching **(Q)** into screw holes.

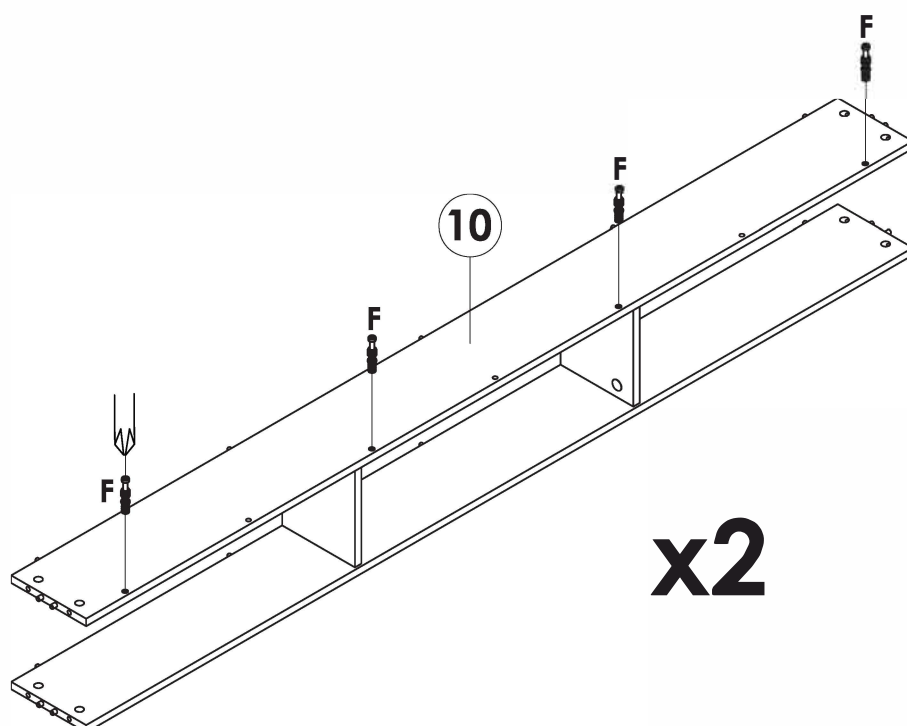


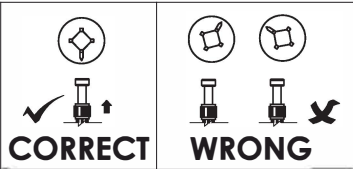
STEP 4

DO NOT use any power tools as this may damage the bed frame and will invalidate any claim.

Insert **(F)** into Ø10MM Holes on **Bottom Shelf**, tighten it up by using crosshead screw driver.

F		8
---	---	---





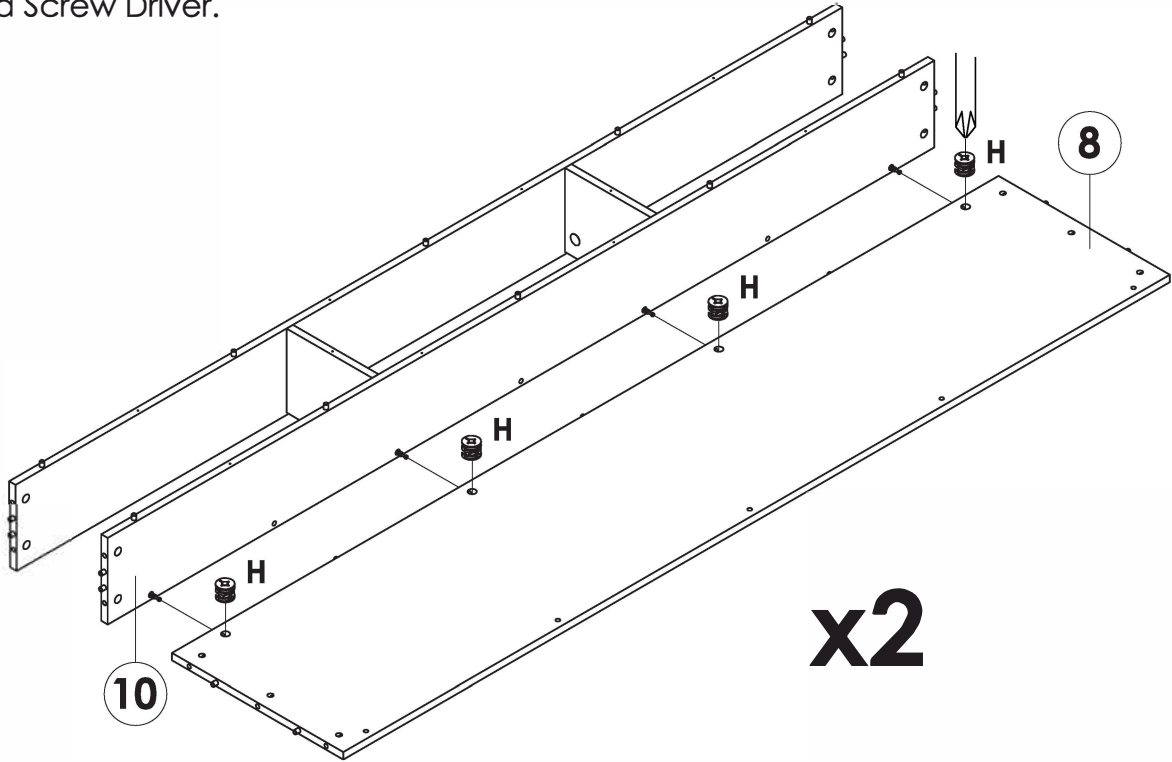
WHEN FITTING CAMS

ENSURE STARTING POSITION IS CORRECT BEFORE YOU INSERT CONNECTING BOLT TURN CLOCKWISE UNTIL SECURE.

H		8
---	--	---

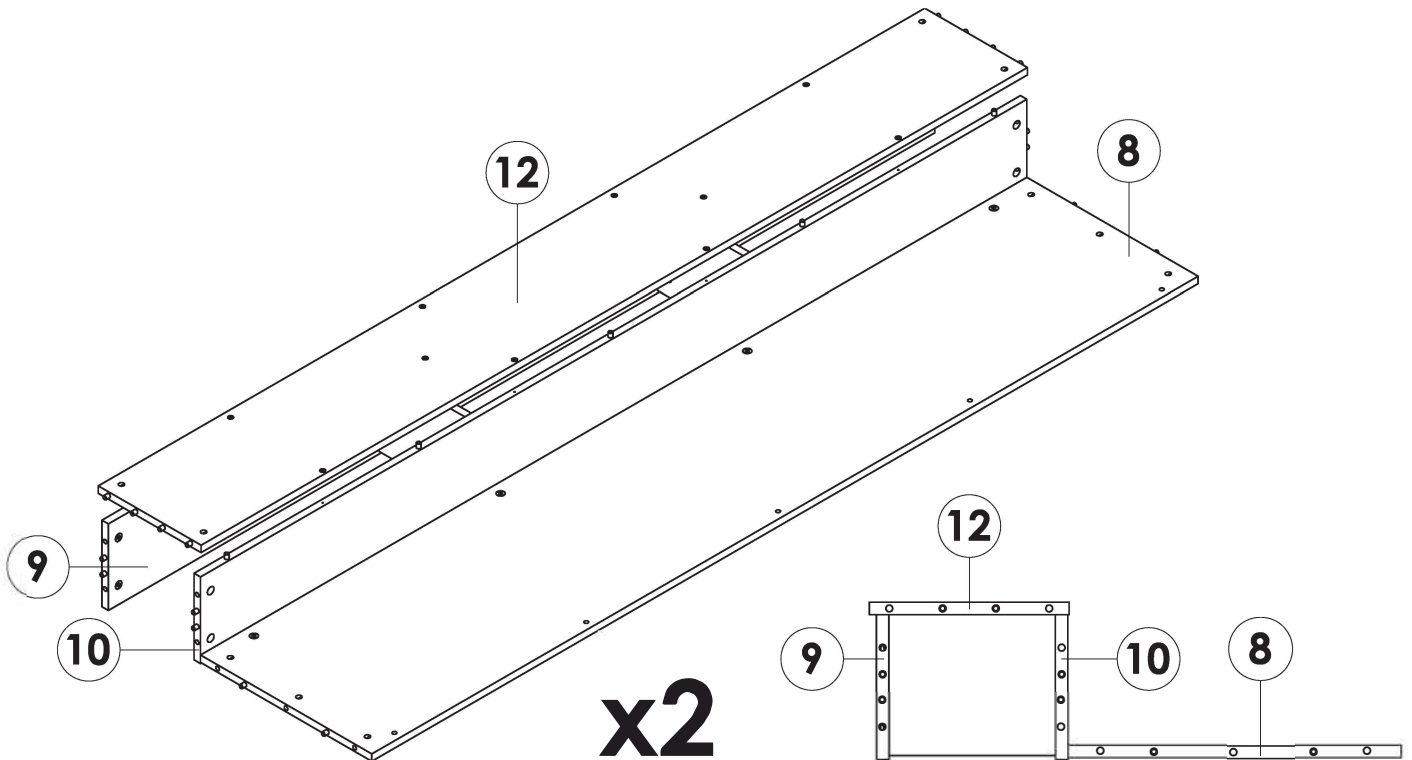
STEP 5

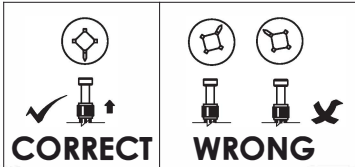
DO NOT use any power tools as this may damage the bed frame and will invalidate any claim. Attach and secure **Full Guard Rail** onto **Bottom Shelf** and insert (H), tighten it up by using a Crosshead Screw Driver.



STEP 6

DO NOT use any power tools as this may damage the bed frame and will invalidate any claim. Attach and secure **Back Panel** onto **Top Shelf**, **Bottom Shelf** and **Divider**.





WHEN FITTING CAMS

ENSURE STARTING POSITION IS CORRECT BEFORE YOU INSERT CONNECTING BOLT TURN CLOCKWISE UNTIL SECURE.

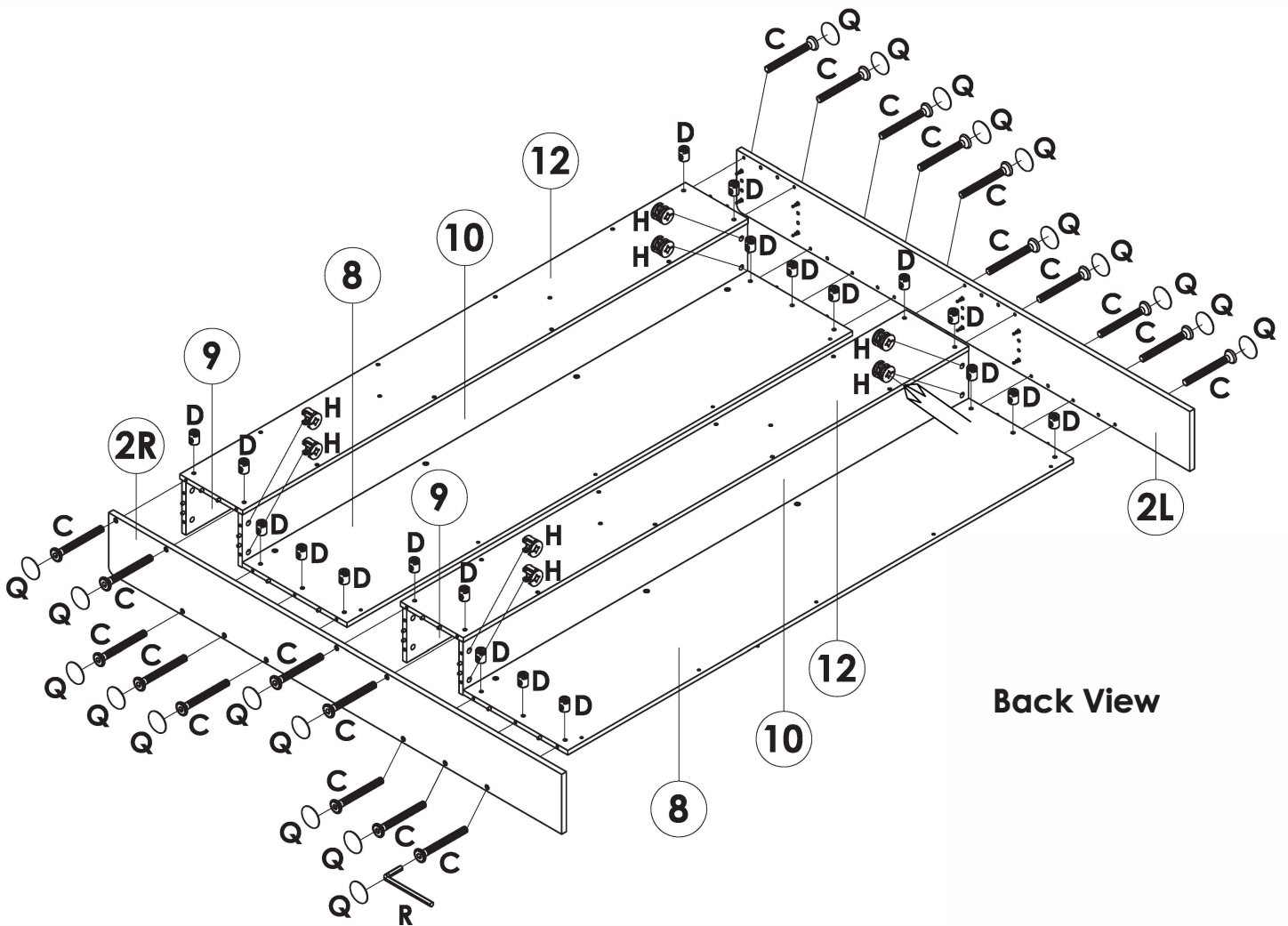
C		20
D		20
H		8
Q		20
R		1

STEP 7

DO NOT use any power tools as this may damage the bed frame and will invalidate any claim.

Attach and secure **Full Guard Rail, Top Shelf, Bottom Shelf** and **Back Panel** onto **Footboard Post (Left)** and **Headboard Post (Right)** by using **(C)** and **(D)**, tighten it up by using **(R)**. Follow it up by attaching **(Q)** into screw holes.

Insert **(H)**, tighten it up by using crosshead screw driver.



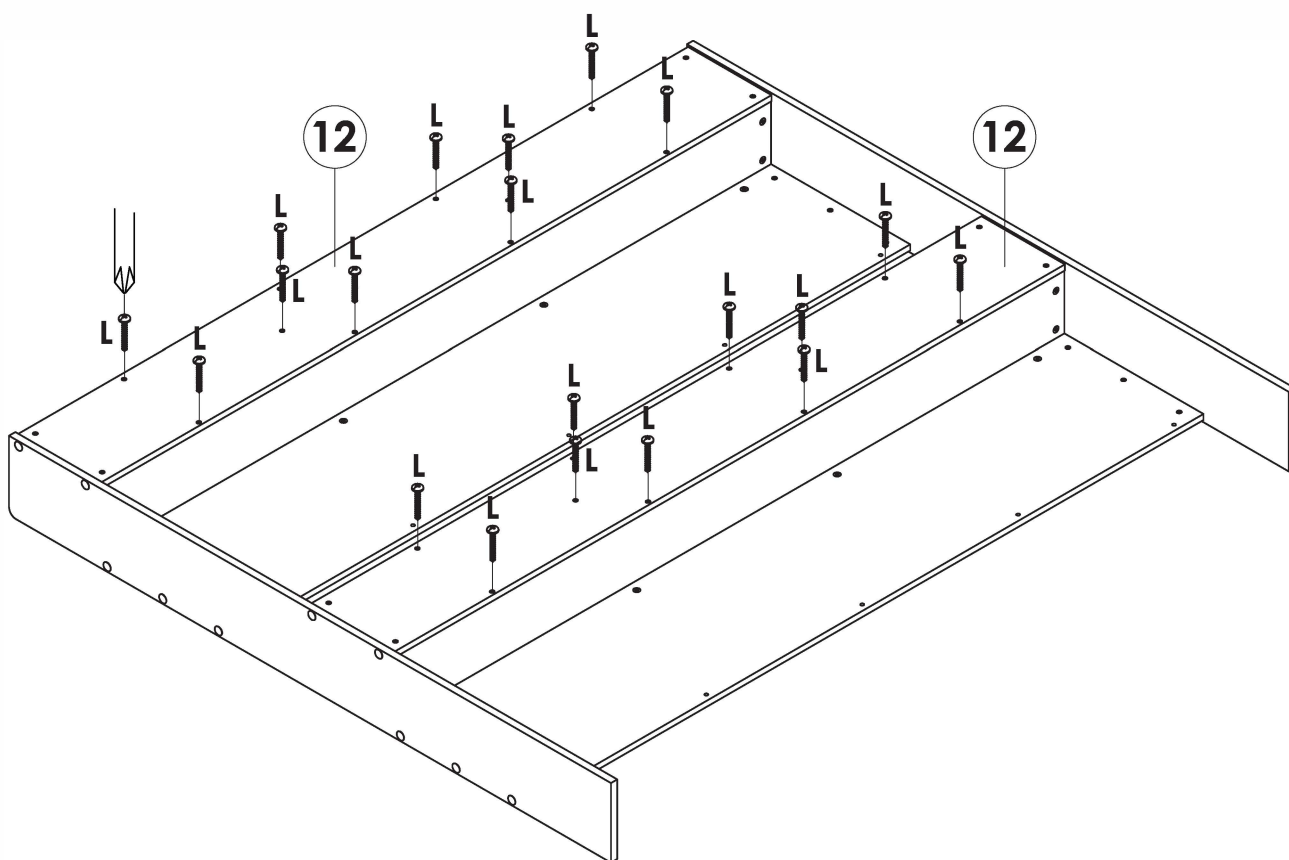
Back View

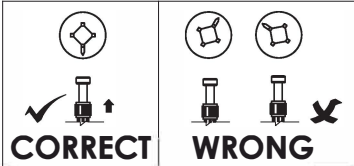
STEP 8

DO NOT use any power tools as this may damage the bed frame and will invalidate any claim.

Insert **(L)** onto **Back Panel**, tighten it up by using Crosshead Screw Driver.

L		20
---	---	----





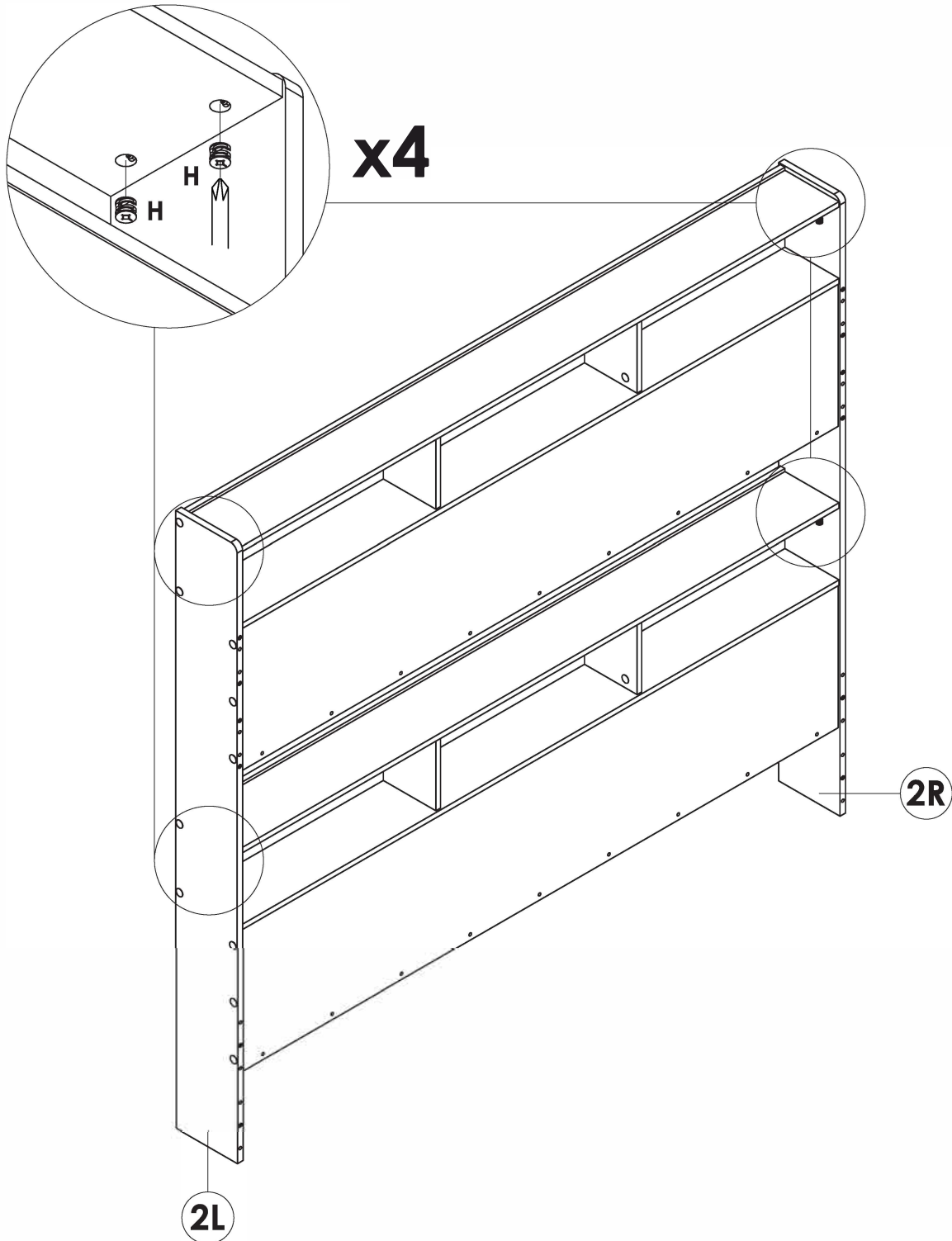
WHEN FITTING CAMS

ENSURE STARTING POSITION IS CORRECT BEFORE YOU INSERT CONNECTING BOLT TURN CLOCKWISE UNTIL SECURE.

H		8
---	--	---

STEP 9

DO NOT use any power tools as this may damage the bed frame and will invalidate any claim. Insert (H) onto **Top Shelf**, tighten it up by using crosshead screw driver.

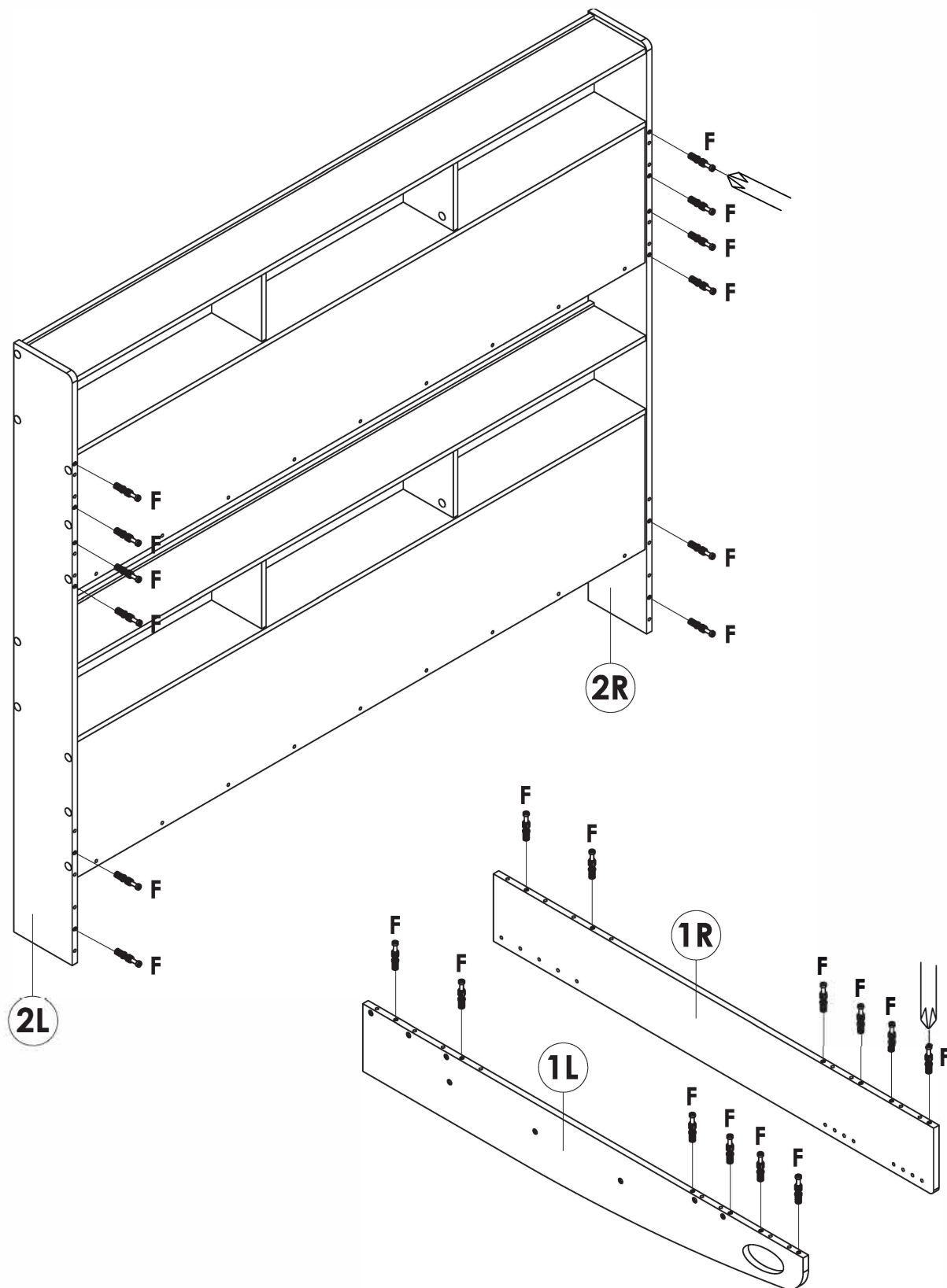


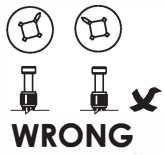
STEP 10

DO NOT use any power tools as this may damage the bed frame and will invalidate any claim.

F		24
---	---	----

Insert **(F)** into $\text{Ø}10\text{MM}$ holes on **Footboard Post (Left)** and **Headboard Post (Right)** tighten it up by using crosshead screw driver.





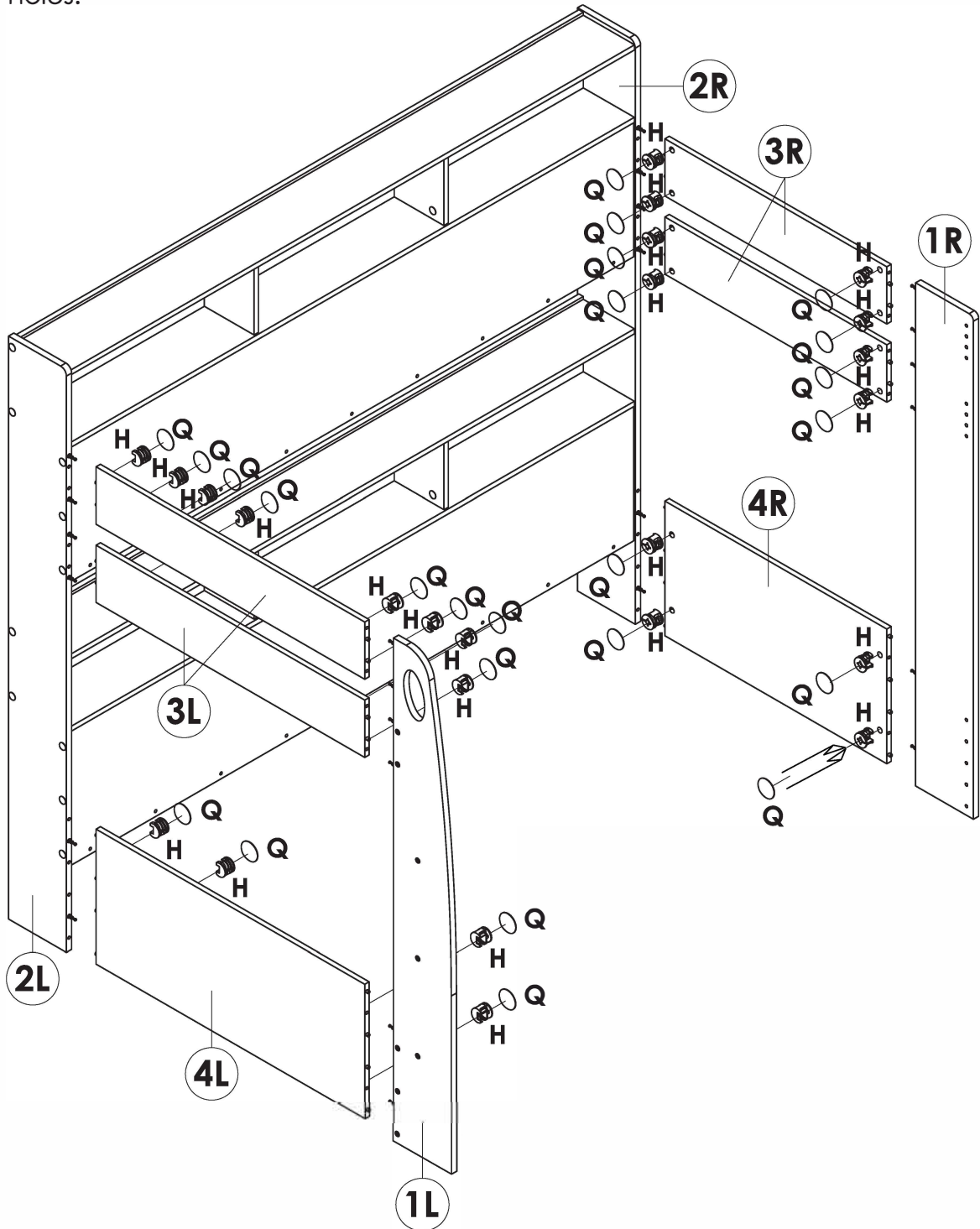
WHEN FITTING CAMS

ENSURE STARTING POSITION IS CORRECT
BEFORE YOU INSERT CONNECTING BOLT
TURN CLOCKWISE UNTIL SECURE.

H		24
Q		24

STEP 11





DO NOT use any power tools as this may damage the bed frame and will invalidate any claim. Attach and secure **Footboard Panel (Left)**, **Footboard Bottom Panel (Left)**, **Headboard Panel (Right)** and **Headboard Bottom Panel (Right)** onto **Footboard Post (Left)**, **Headboard Post (Right)** and insert **(H)**, tighten it up by using a Crosshead Screw Driver. Follow it up by attaching **(Q)** into screw holes.

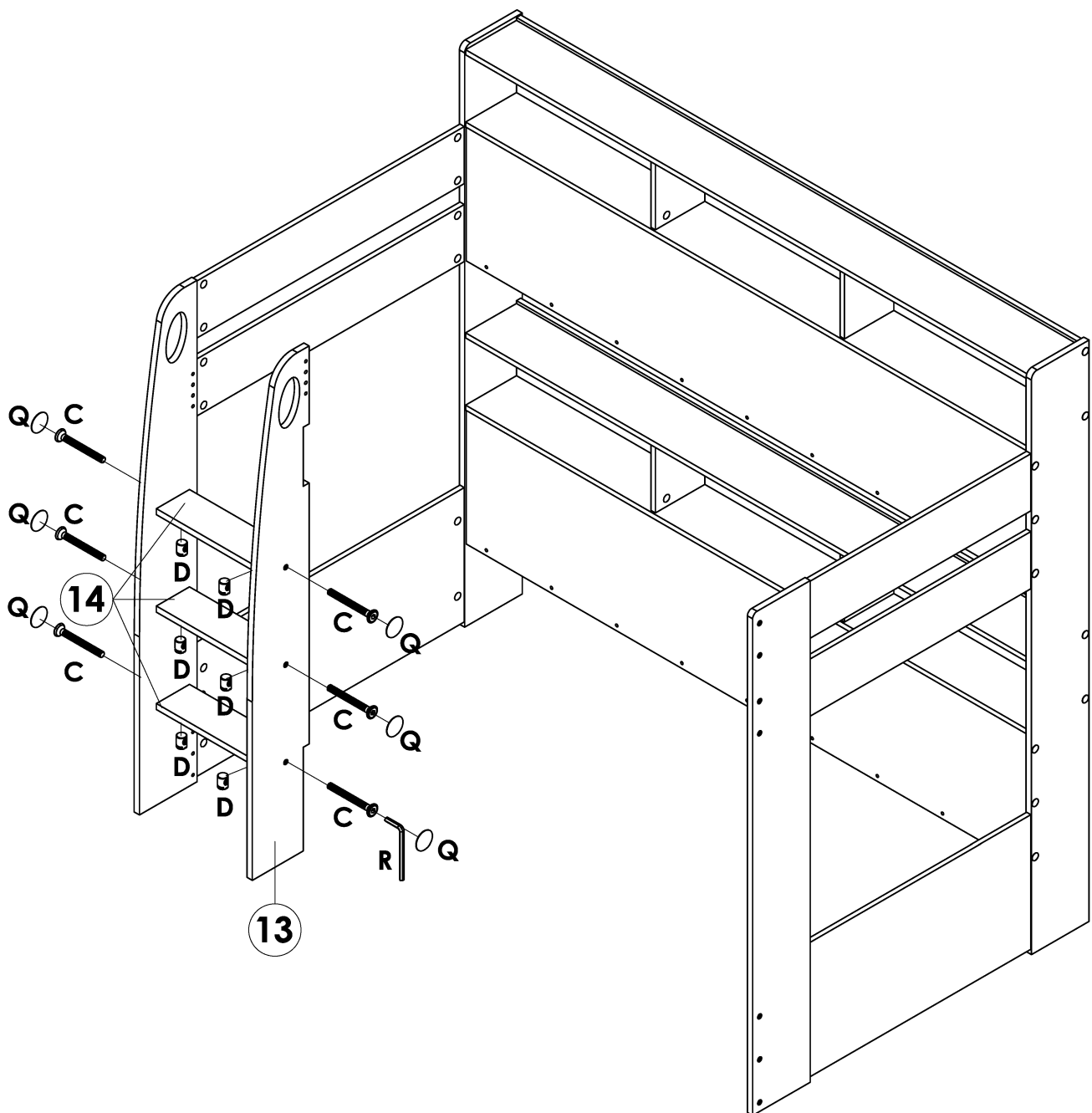


STEP 12

DO NOT use any power tools as this may damage the bed frame and will invalidate any claim.

Attach and secure **Ladder Side (Right)** and **Ladder Slat** onto **Footboard Post (Left)** by using **(C)** and **(D)**, tighten it up by using **(R)**. Follow it up by attaching **(Q)** into screw holes.



C		6
D		6
Q		6
R		1

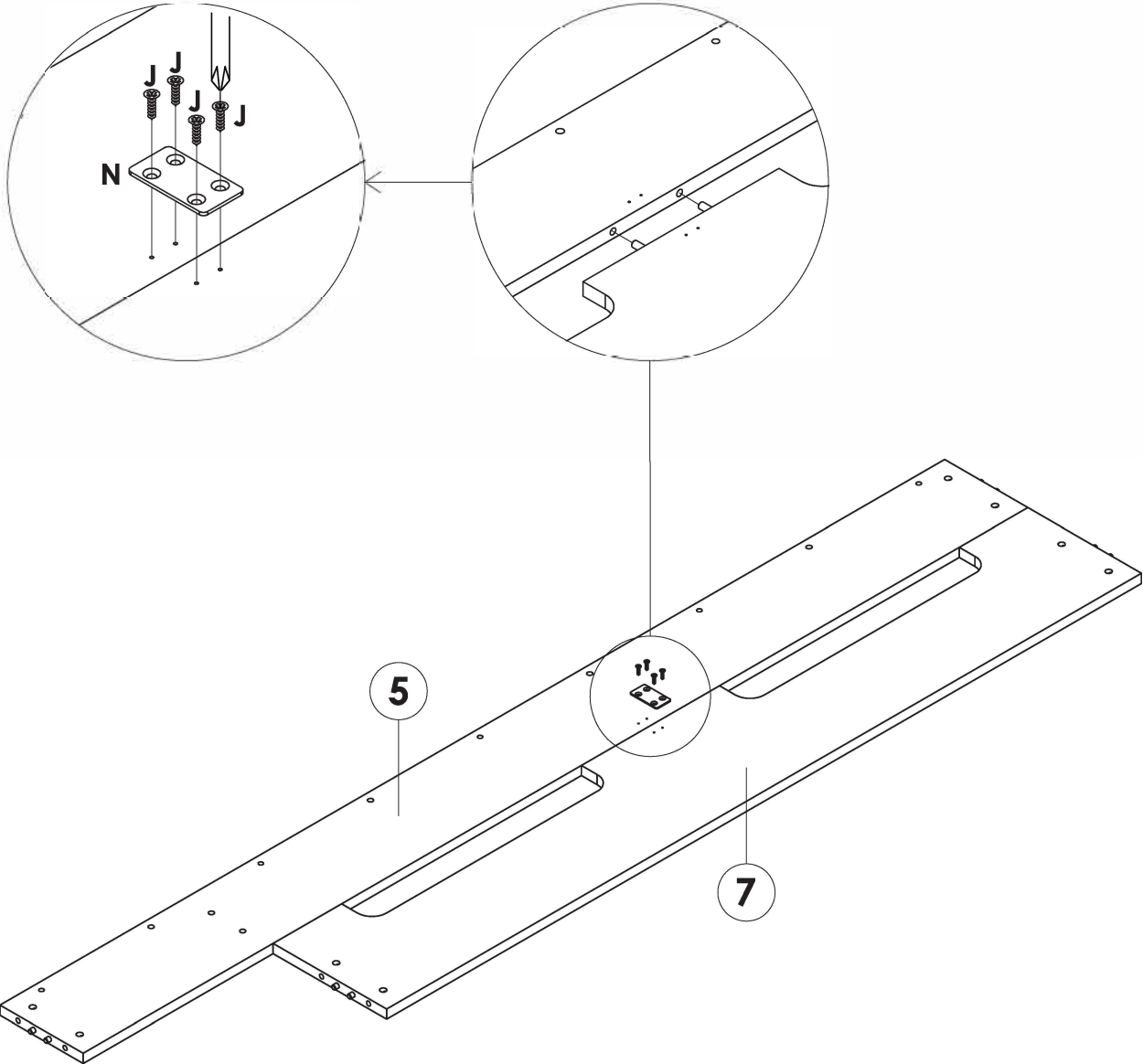


STEP 13

DO NOT use any power tools as this may damage the bed frame and will invalidate any claim.

Attach and secure **Semi Guard Rail** onto **Side Rail (Top Front)** by using **(N)** and **(J)**, tighten it up by using Crosshead Screw Driver.




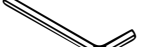
J		4
N		1

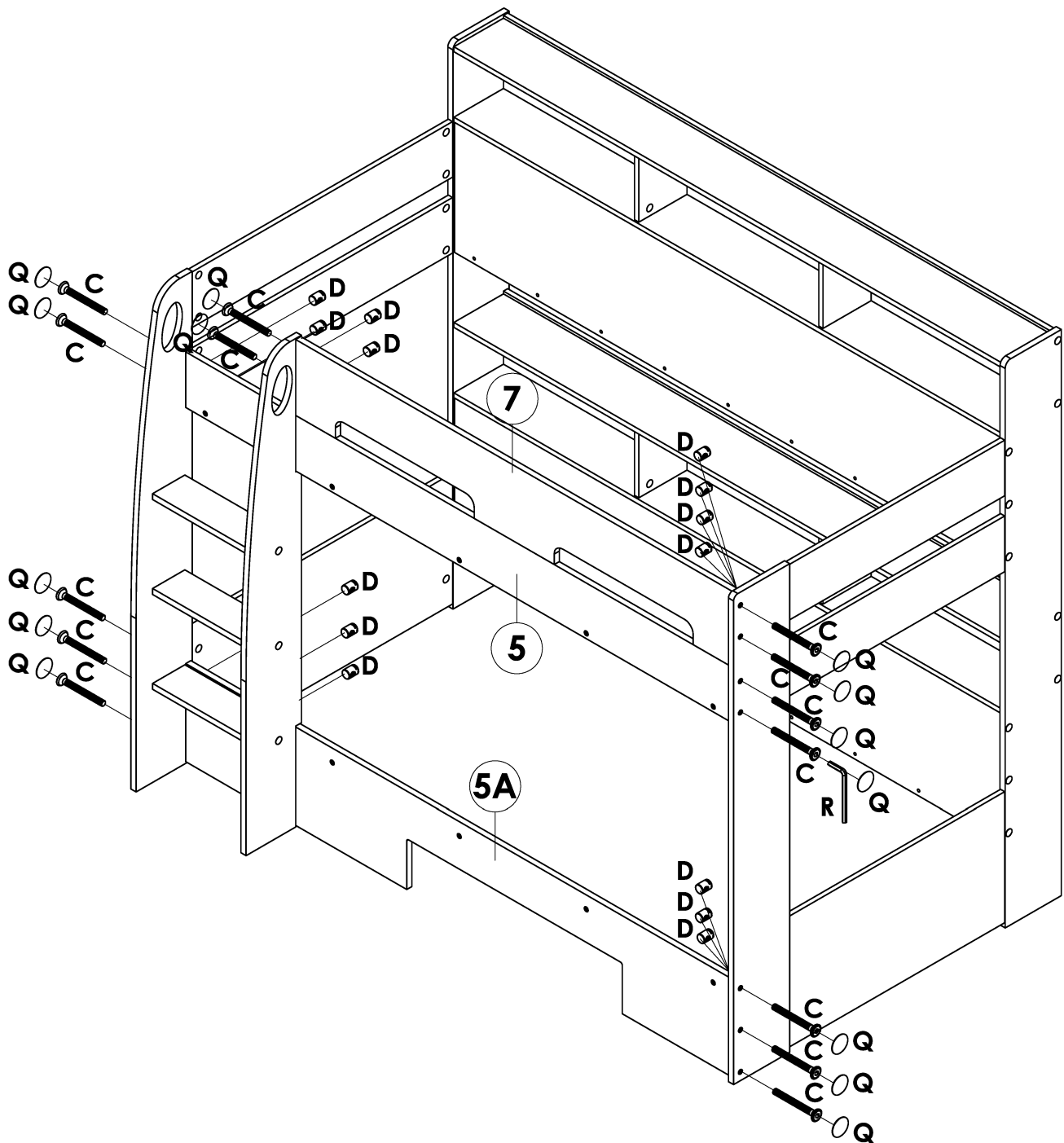


STEP 14

DO NOT use any power tools as this may damage the bed frame and will invalidate any claim.

Attach and secure **Side Rail (Top Front)**, **Side Rail (Bottom Front)**, **Semi Guard Rail** onto **Headboard (L/R)** by using **(C)** and **(D)**, tighten it up by using **(R)**. Follow it up by attaching **(Q)** into screw holes.




C		14
D		14
Q		14
R		1

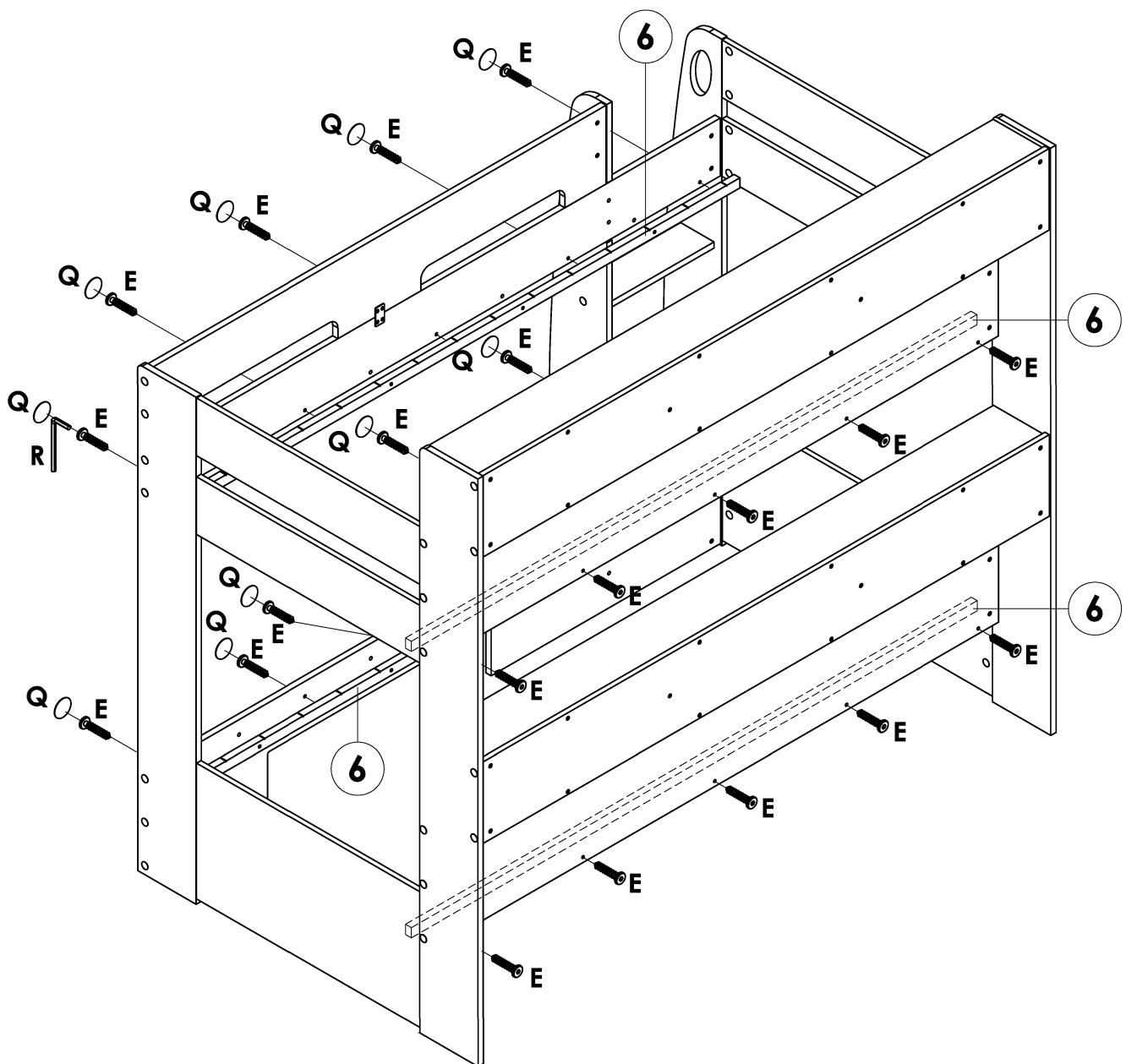


STEP 15

DO NOT use any power tools as this may damage the bed frame and will invalidate any claim.

Attach and secure **Slat Support** onto **Side Rail(Top Front)**,**Side Rail (Bottom Front)** and **Full Guard Rail**,by using **(E)**,tighten it up by using **(R)**. Follow it up by attaching **(Q)** into screw holes.




E		20
Q		10
R		1

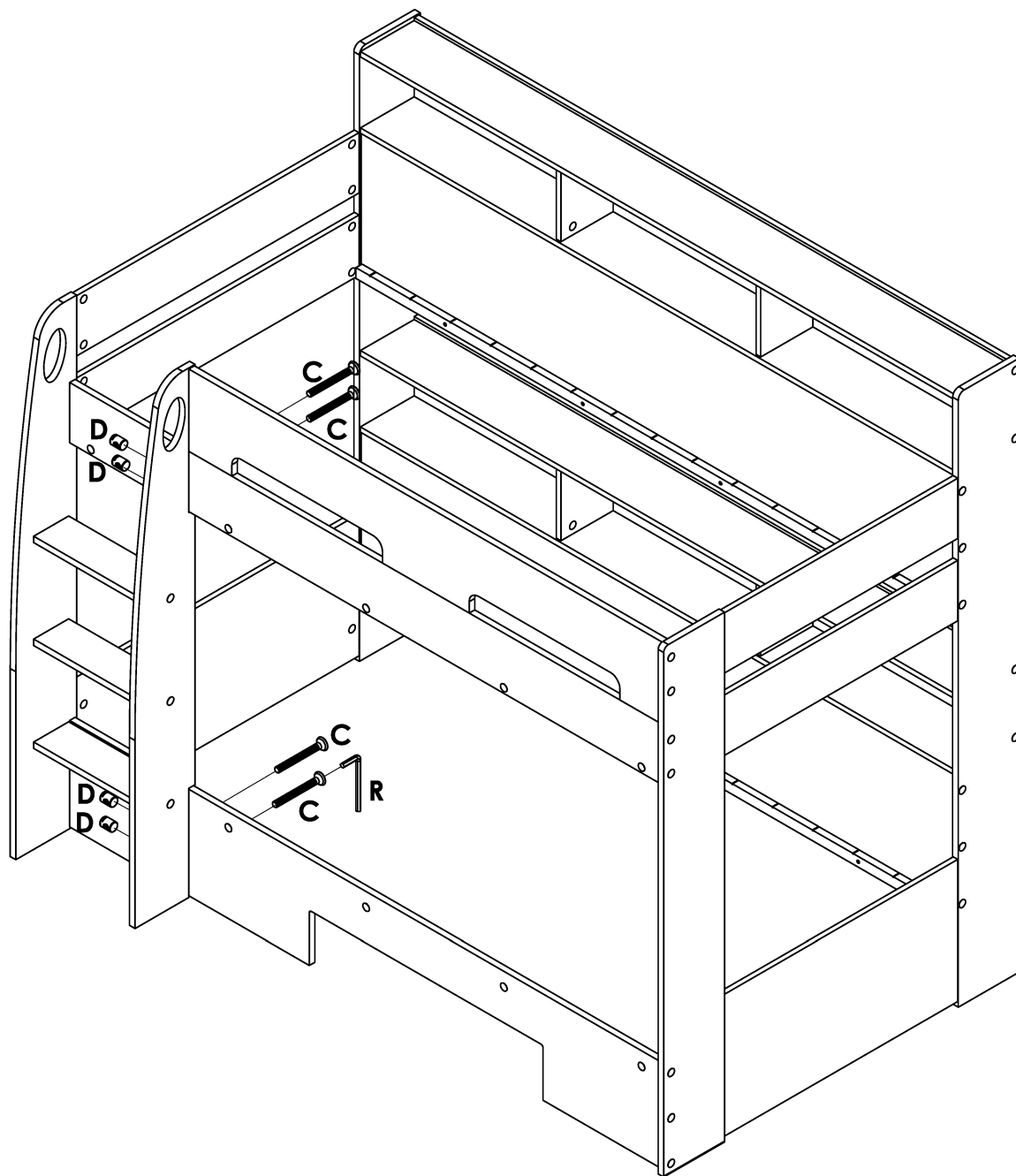


STEP 16

DO NOT use any power tools as this may damage the bed frame and will invalidate any claim.

Follow it up by attaching **(C)** and **(D)** onto **Side Rail (Top Front)** and **Side Rail (Bottom Front)**, tighten it up by using **(R)**.

C		4
D		4
R		1



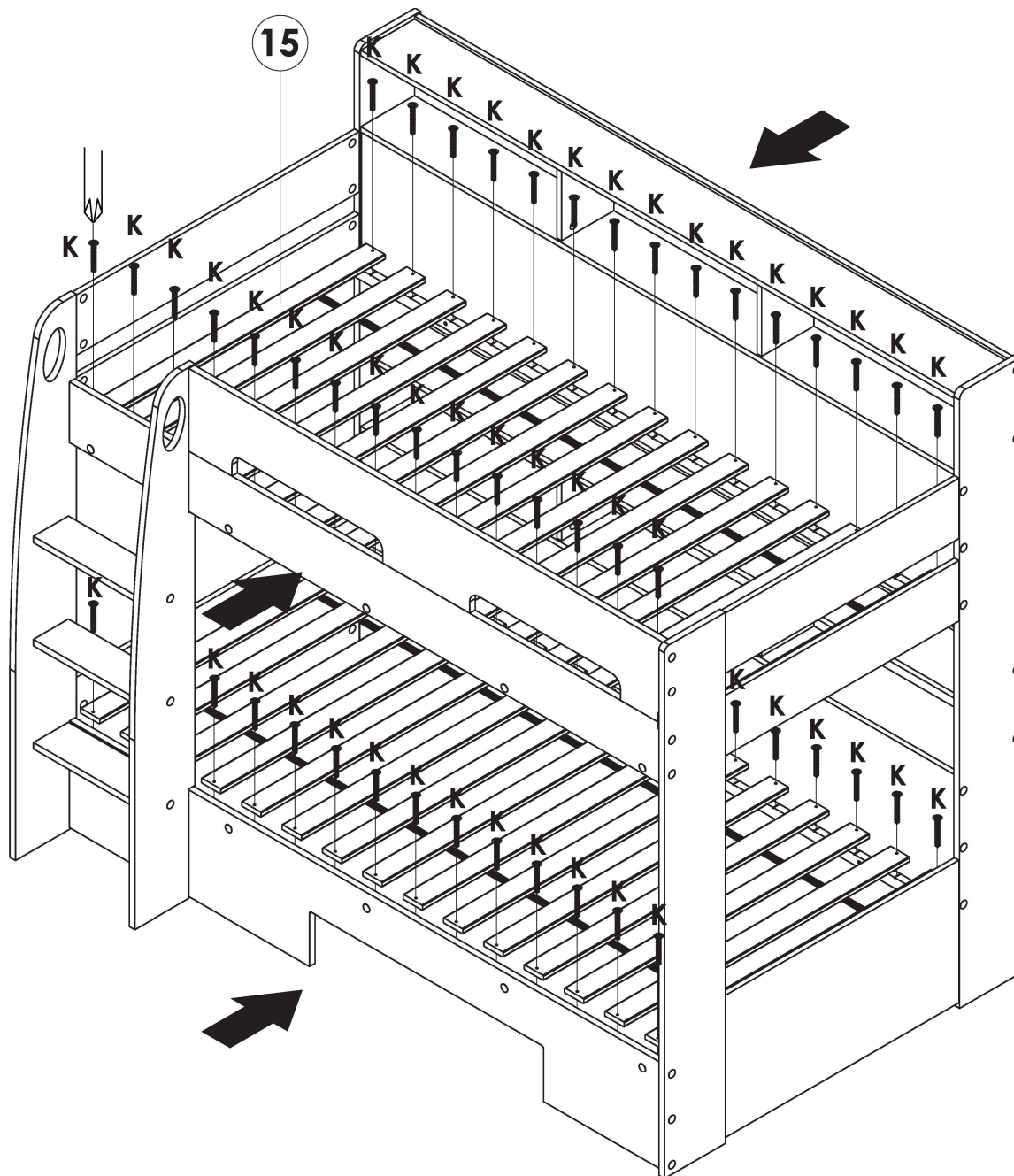
STEP 17

DO NOT use any power tools as this may damage the bed frame and will invalidate any claim.

Attach and secure **Wooden Slat** onto bed **Slat Support** by using **(K)**, tighten it up by using a Crosshead Screw Driver.

K		60
---	---	----



Align both **Side Rail (Top Front), **Side Rail (Bottom Front)** & **Full Guard Rail** before tightening the screws.*



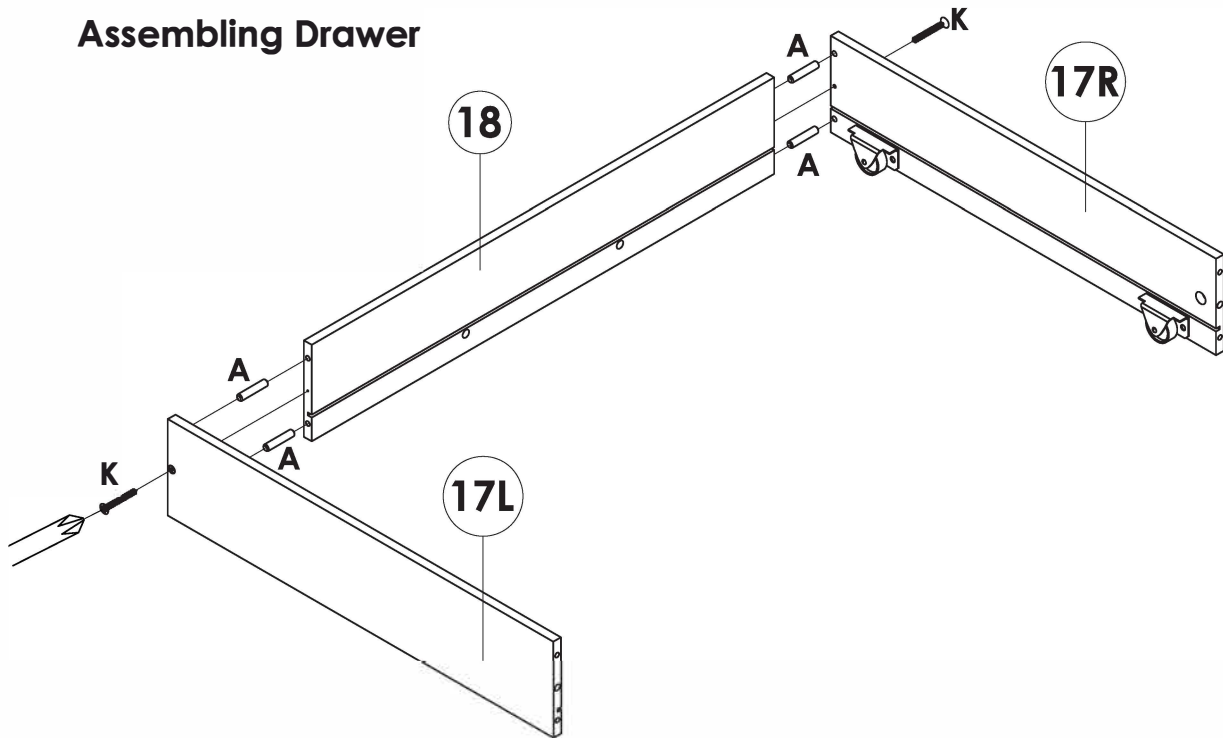
STEP 18

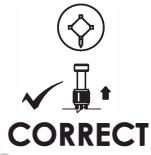
DO NOT use any power tools as this may damage the bed frame and will invalidate any claim.

Attach and secure **Drawer Side (Left)** and **Drawer Side (Right)** onto **Drawer Rear** by using **(A)** and **(K)** tighten it up by using a Crosshead Screw Driver.

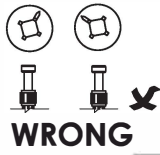
A		4
K		2

Assembling Drawer







CORRECT



WRONG

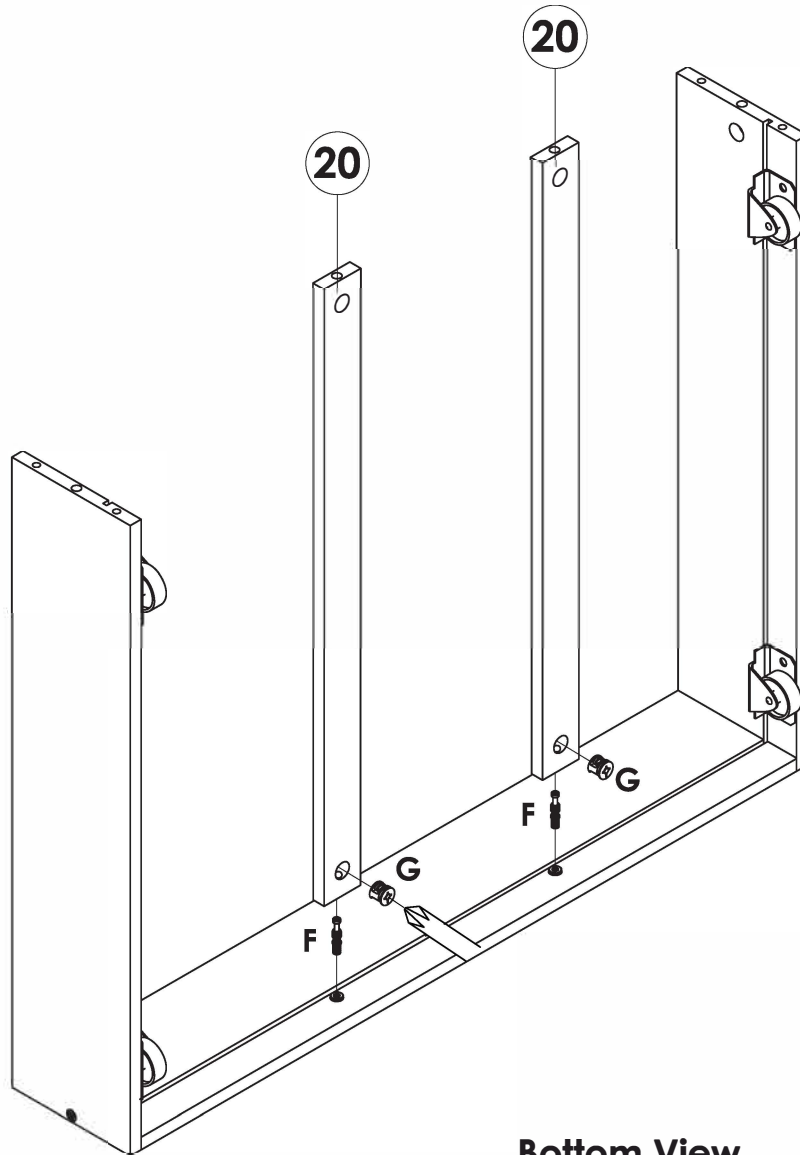
WHEN FITTING CAMS

ENSURE STARTING POSITION IS CORRECT
BEFORE YOU INSERT CONNECTING BOLT
TURN CLOCKWISE UNTIL SECURE.

F		2
G		2

STEP 19

DO NOT use any power tools as this may damage the bed frame and will invalidate any claim.
Attach and Secure **Drawer Support Base** onto **Drawer Rear**, by using (F) and (G), tighten it up
by using crosshead screw driver.

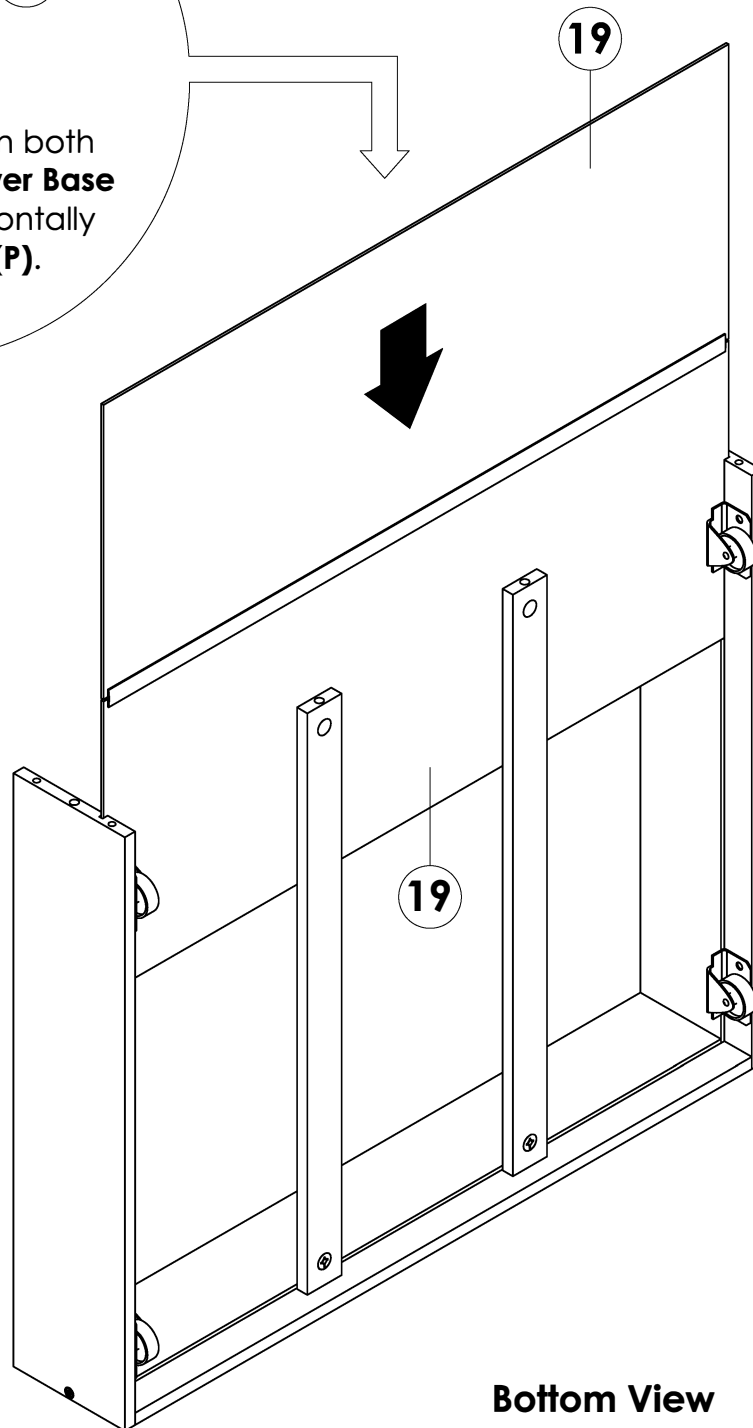
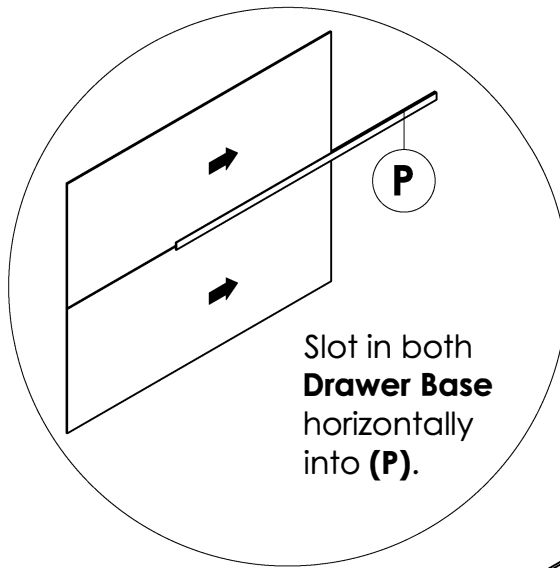


Bottom View

STEP 20

Slot **Drawer Base** into **(P)** horizontally. Follow it up by slotting it vertically straight down into the body until it touches the **Rear Panel**.

P		1
---	--	---

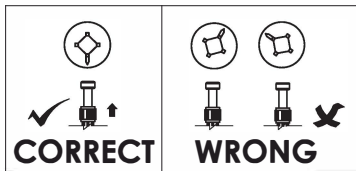
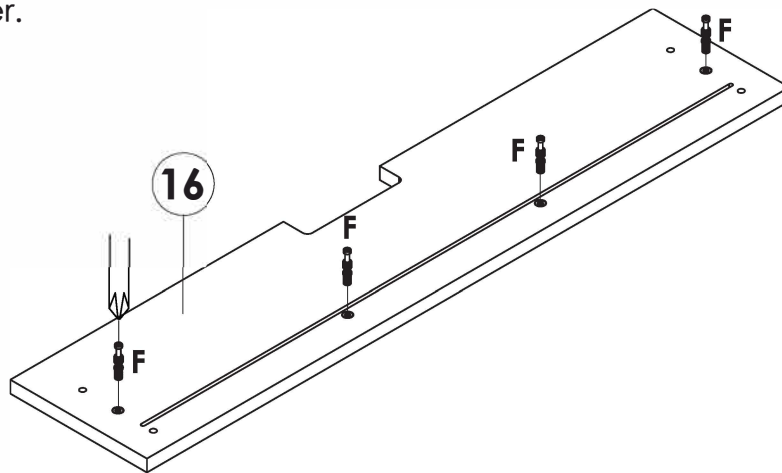


STEP 21



DO NOT use any power tools as this may damage the bed frame and will invalidate any claim.

Insert **(F)** into Ø10MM Holes on **Drawer Face**,tighten it up by using crosshead screw driver.

F		4
---	---	---

**WHEN FITTING CAMS**

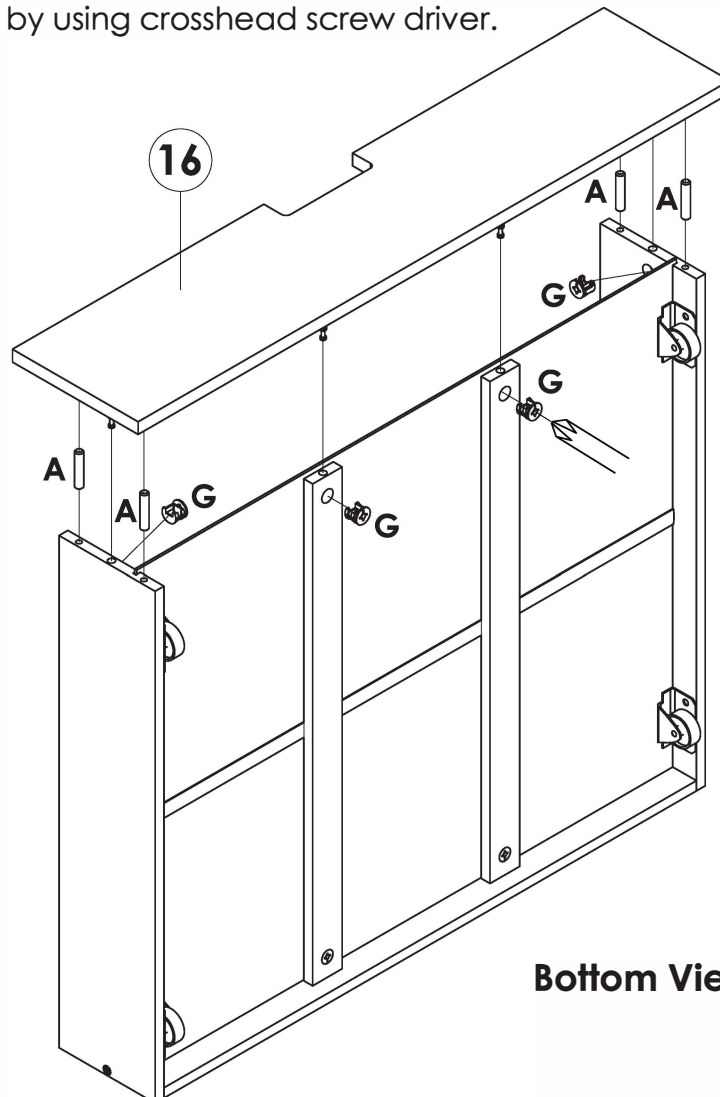
ENSURE STARTING POSITION IS CORRECT BEFORE YOU INSERT CONNECTING BOLT TURN CLOCKWISE UNTIL SECURE.

A		4
G		4

STEP 22

DO NOT use any power tools as this may damage the bed frame and will invalidate any claim.

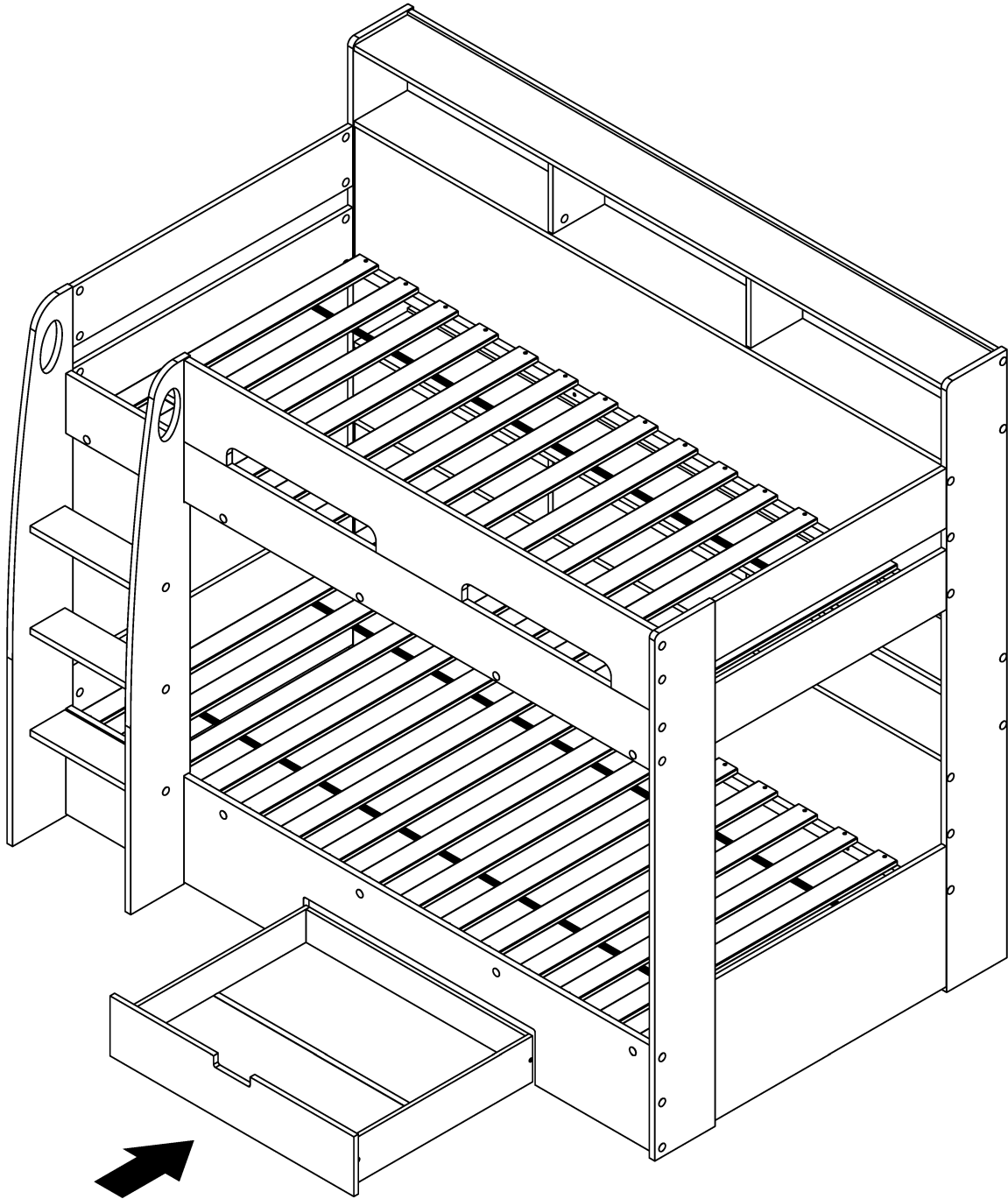
Attach **Drawer Face** onto **Drawer Side (Left)**,**Drawer Side (Right)** and **Drawer Support Base** by using **(A)** and **(G)**,tighten it up by using crosshead screw driver.

**Bottom View**

STEP 23

Insert **Drawer** underneath **Bed Frame**.

Your **Polaris Bunk** is now complete and ready to use.



Please dispose of all packaging safely.

General Care & Maintenance

Wipe clean with a slightly damp cloth.
Avoid the use of all household cleaners and abrasives.

Periodically check all screw & fixings to ensure they are secure.

When moving your product, carefully lift into place. Never drag or push the product across the floor as this will cause damage to the joints. If the product is used on hard flooring, such as wood or laminated floor, you must place some protection under the legs to stop the product from moving. If this is not adhered to, it could result in failure to the product that will invalidate the warranty.

For more information on cleaning and product care visit:
<https://www.happybeds.co.uk/help-and-advice>

Notes

In the unlikely event that you have problems putting this product together or have damaged or missing parts, please contact us by visiting:
<https://www.happybeds.co.uk/customer-service>