

# ASSEMBLY INSTRUCTIONS

## 2 DOOR 2 DRAWER WARDROBE

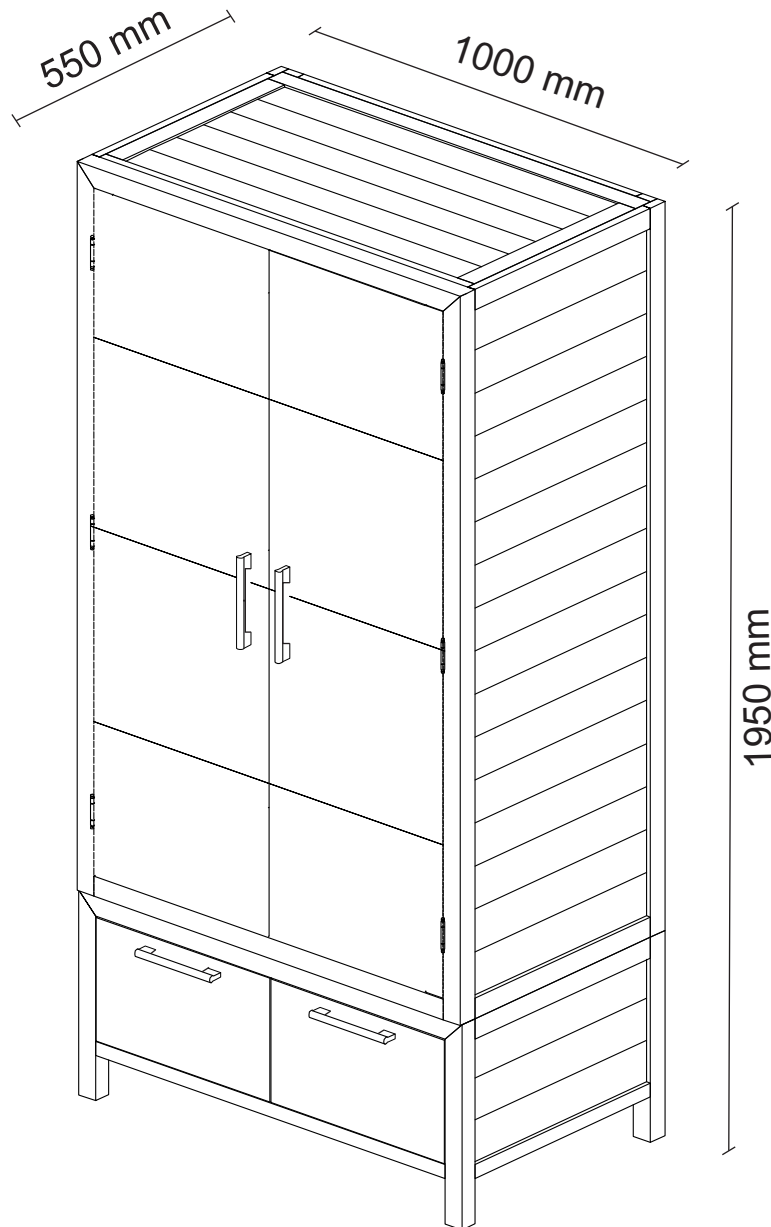
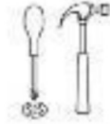
Approximate Assembly Time



People Required to Assembly



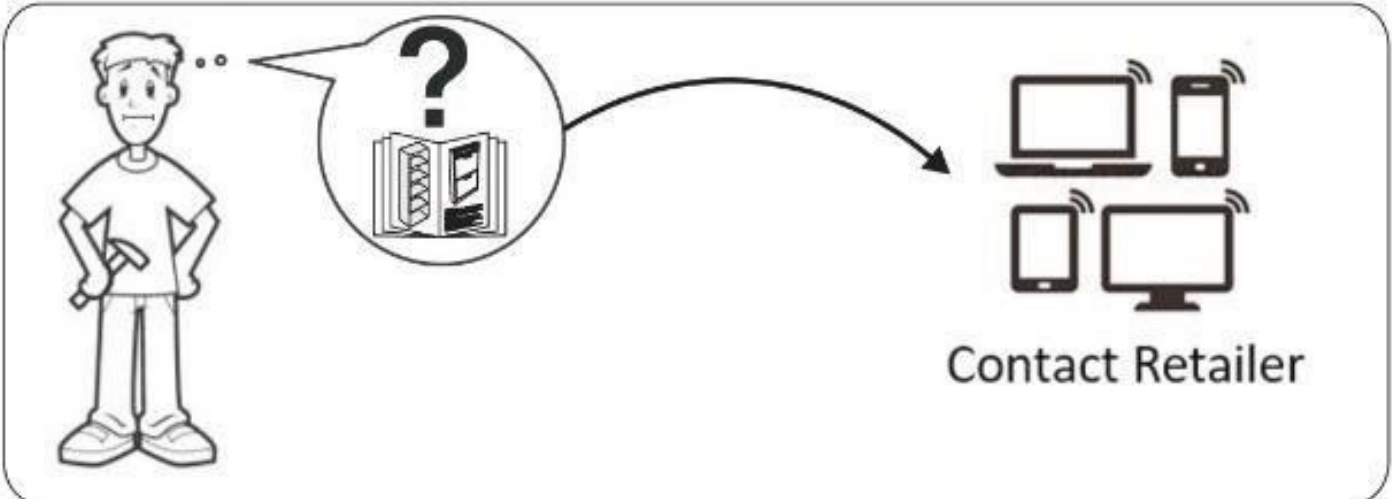
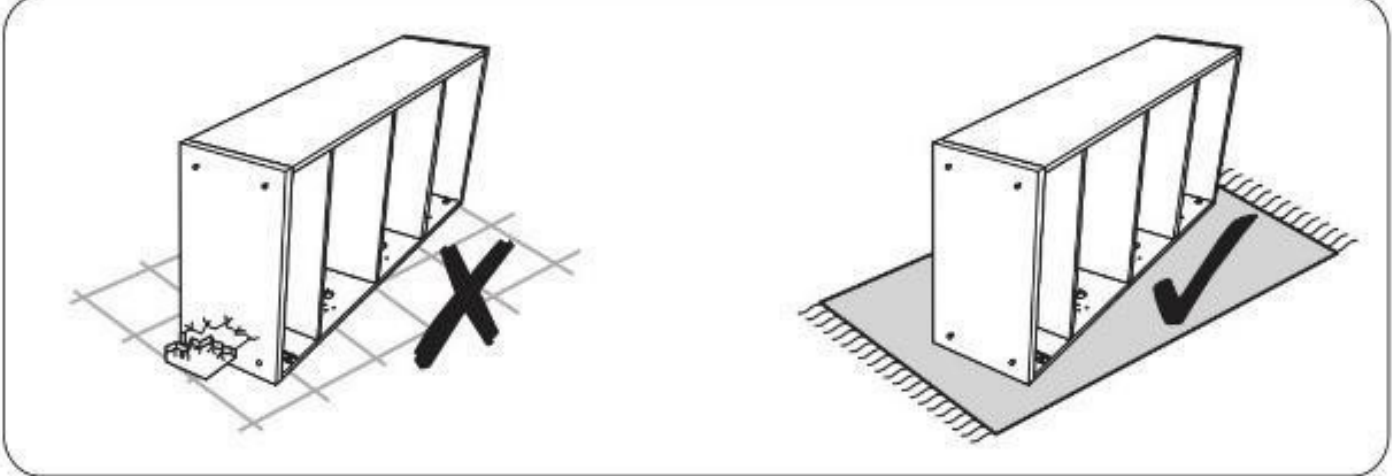
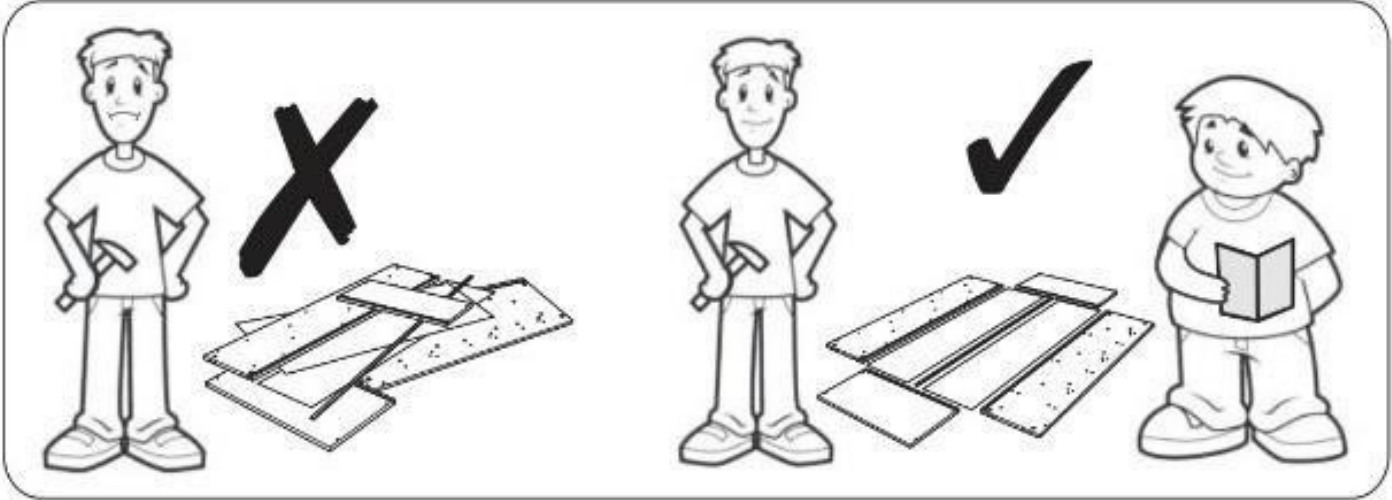
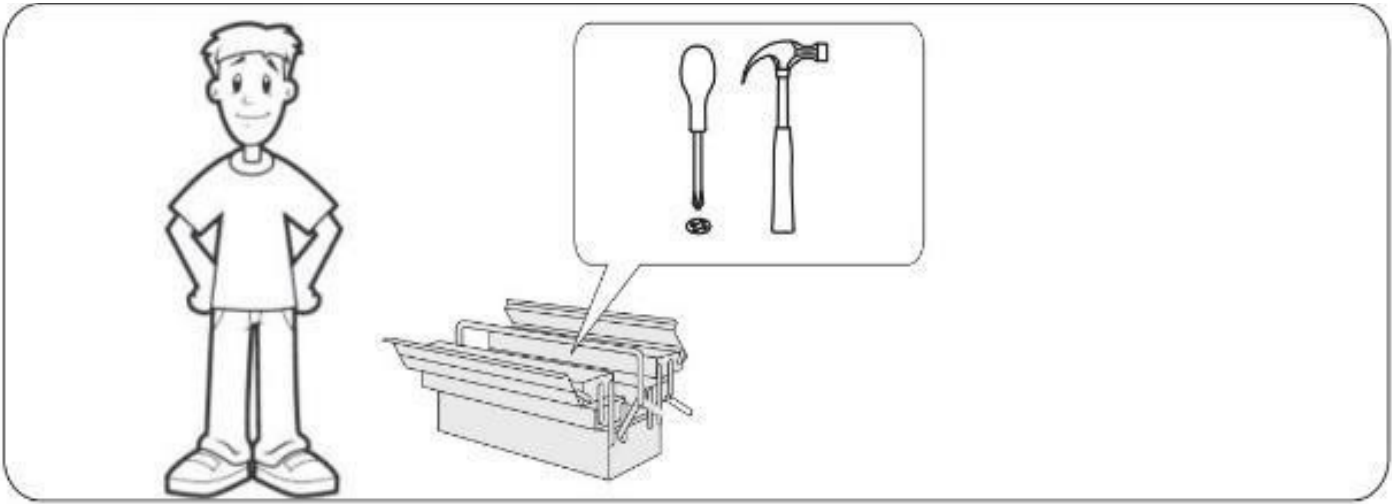
Tools Required



### Before you start....

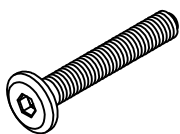
Please carefully unpack and lay out all of the component parts to ensure nothing is missing and to check each component for any obvious damage.

Should you identify any concerns at this stage please contact the retailer from whom this product was purchased. Please quote your order number, details of your issue, the product code and the batch number from the cartons which will help to resolve your issue as quickly as possible.



Please check all hardware matches the list below. Should you notice any are missing please contact your retailer.

**A**



M8x40mm

**35x**

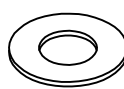
**B**



M8

**35x**

**C**



M8x19

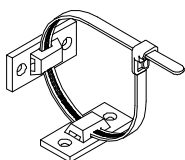
**35x**

**D**



**2x**

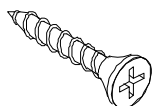
**E**



Anti-tip kits

**2x**

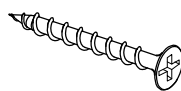
**F**



Screw M4x20

**4x**

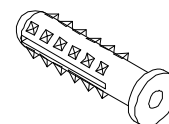
**G**



Screw M4x35

**4x**

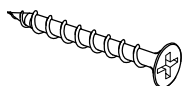
**H**



Wall plugs

**4x**

**I**



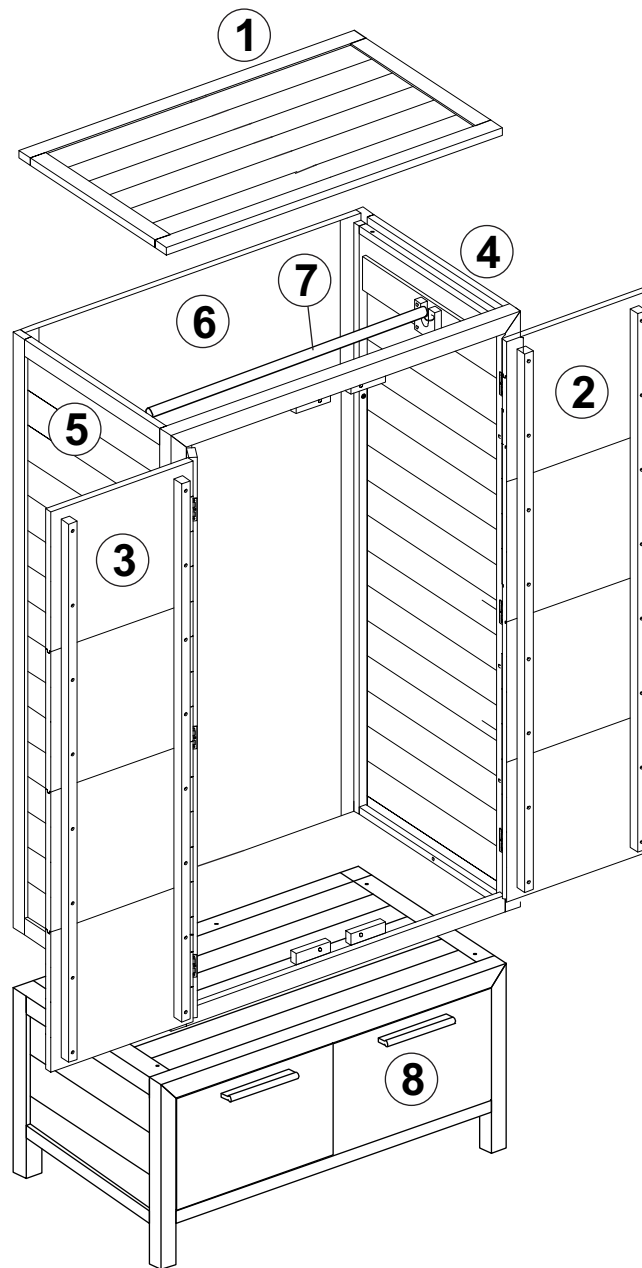
Screw M4x20

**30x**

We strongly advise that you do not use Power Tools such as drills or electric screwdrivers during the assembly of this product as this may cause irreparable damage and will invalidate your warranty.



# PARTS



Please ensure that you carefully check all of the pieces, should you have any concerns please contact the retailer before assembly commences. Please have your order number, details of the issue, the product code and the batch number from the cartons as this will help us to resolve your issue much faster.

## **ASSEMBLY ADVICE**

Please take the time to carefully read through these instructions before you commence.

Keep these instructions for future reference.

We advise that the product is assembled in the room it is intended for.

We advise that you keep the hardware in a bowl during assembly to avoid losing anything.

We strongly recommend that you keep children away from the work area.

Small component parts could choke a child if swallowed.

We recommend you use a sheet or blanket to protect both floor and product through the assembly stages.

This product is heavy, and we recommend a 2 person lift to avoid personal injury or damage to the product.

Never push or pull the product as this could cause both personal injury or irreparable damage to product or floor.

We have tried to make this piece of furniture easy to assemble if the instructions are followed carefully.

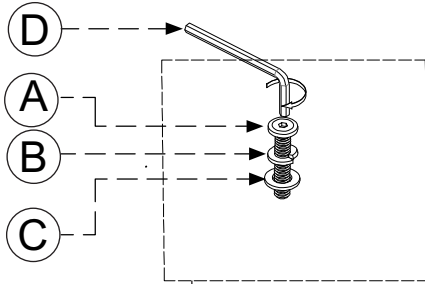
In the unlikely event that you have problems with assembling the product or have missing or damaged parts, please contact your retailer and we will assist them in rectifying the problem as quickly as possible.

Remember we strongly urge you DO NOT use power tools such as drill or electric screwdrivers as this could cause irreparable damage to your product and will invalidate your warranty

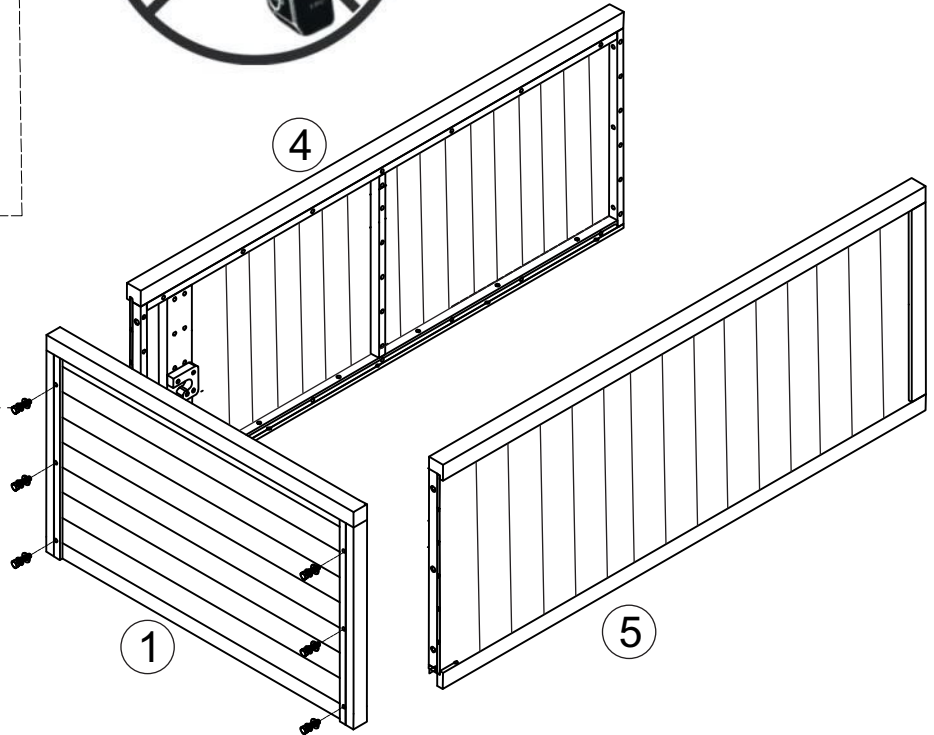


# 1

“DO NOT FULLY TIGHTEN BOLTS UNTIL ALL BOLTS ARE IN PLACE”

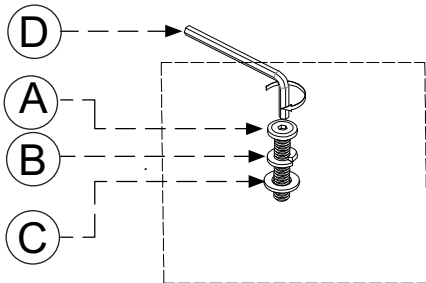


x6

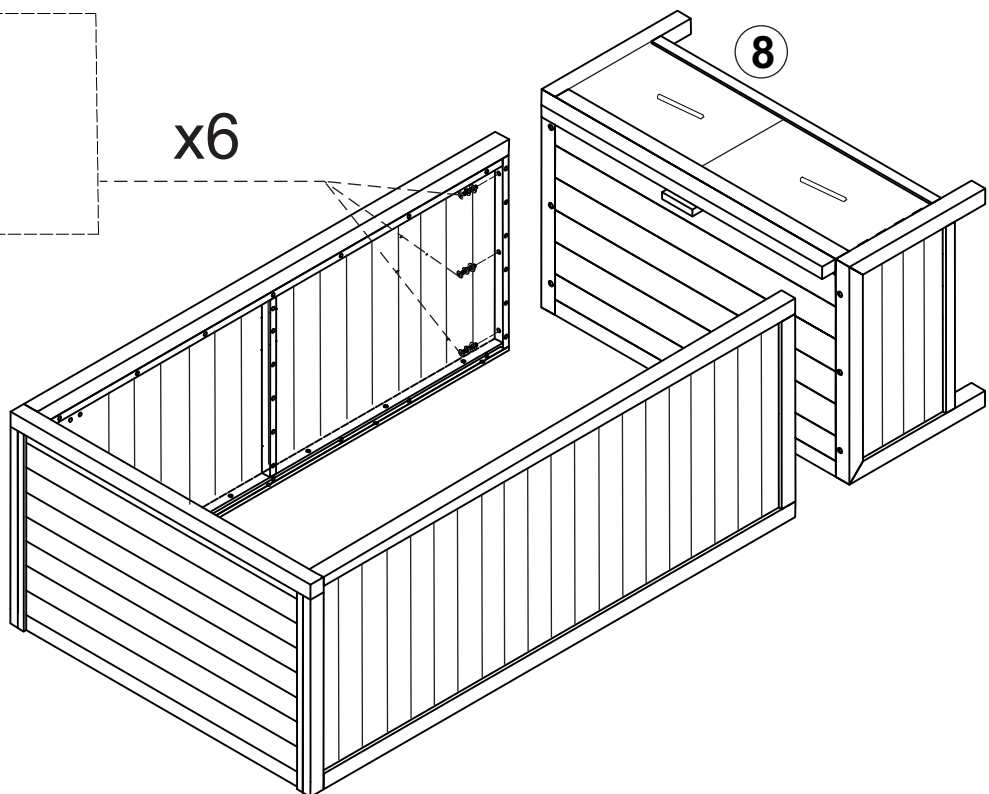


# 2

“DO NOT FULLY TIGHTEN BOLTS UNTIL ALL BOLTS ARE IN PLACE”



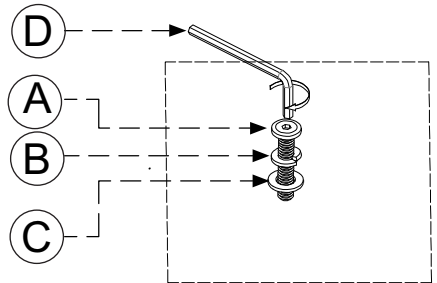
x6



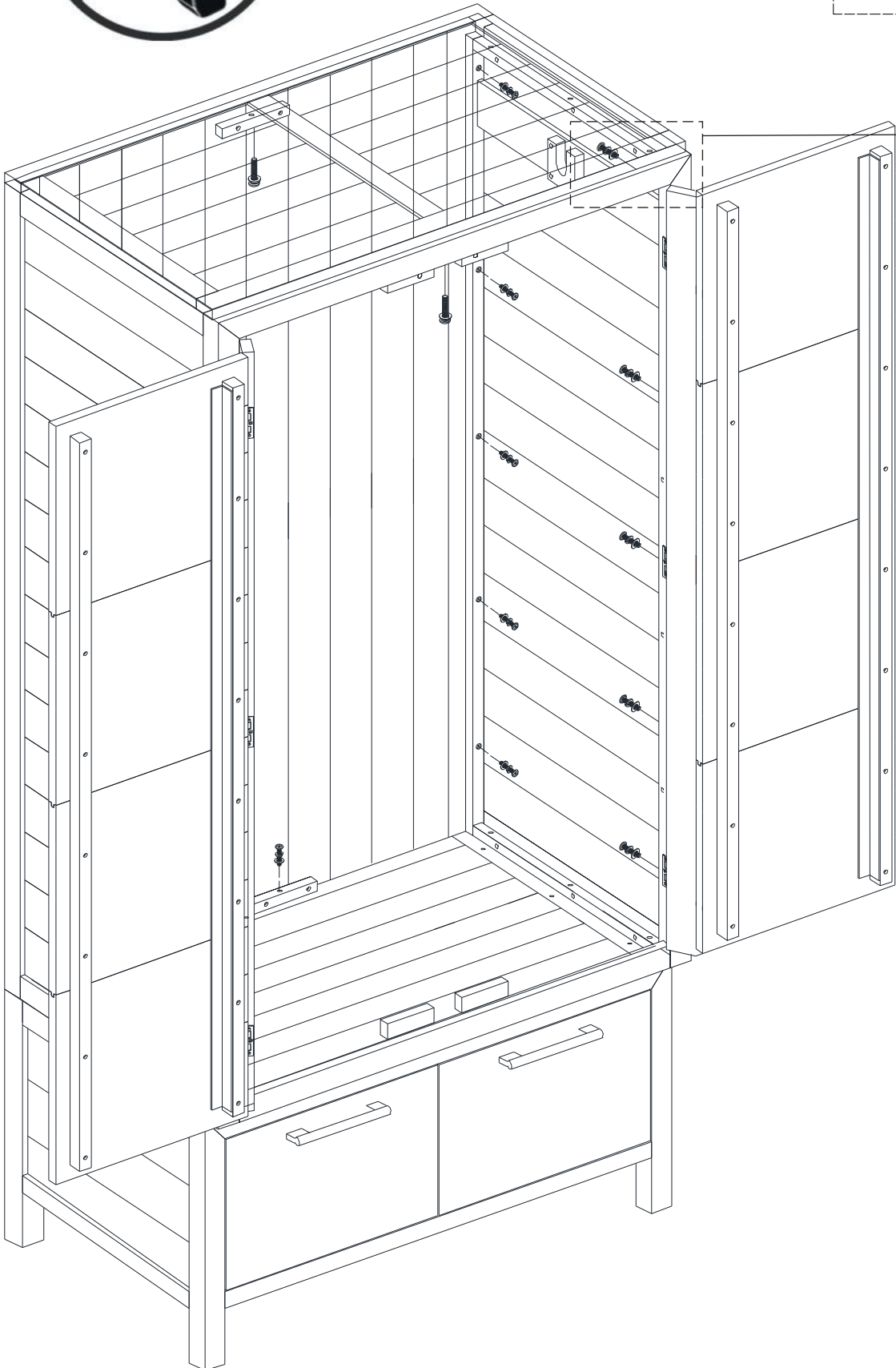
**3**



**“DO NOT FULLY TIGHTEN BOLTS UNTIL ALL BOLTS ARE IN PLACE”**

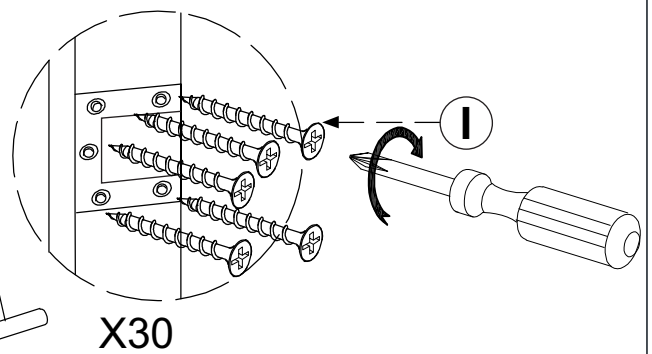
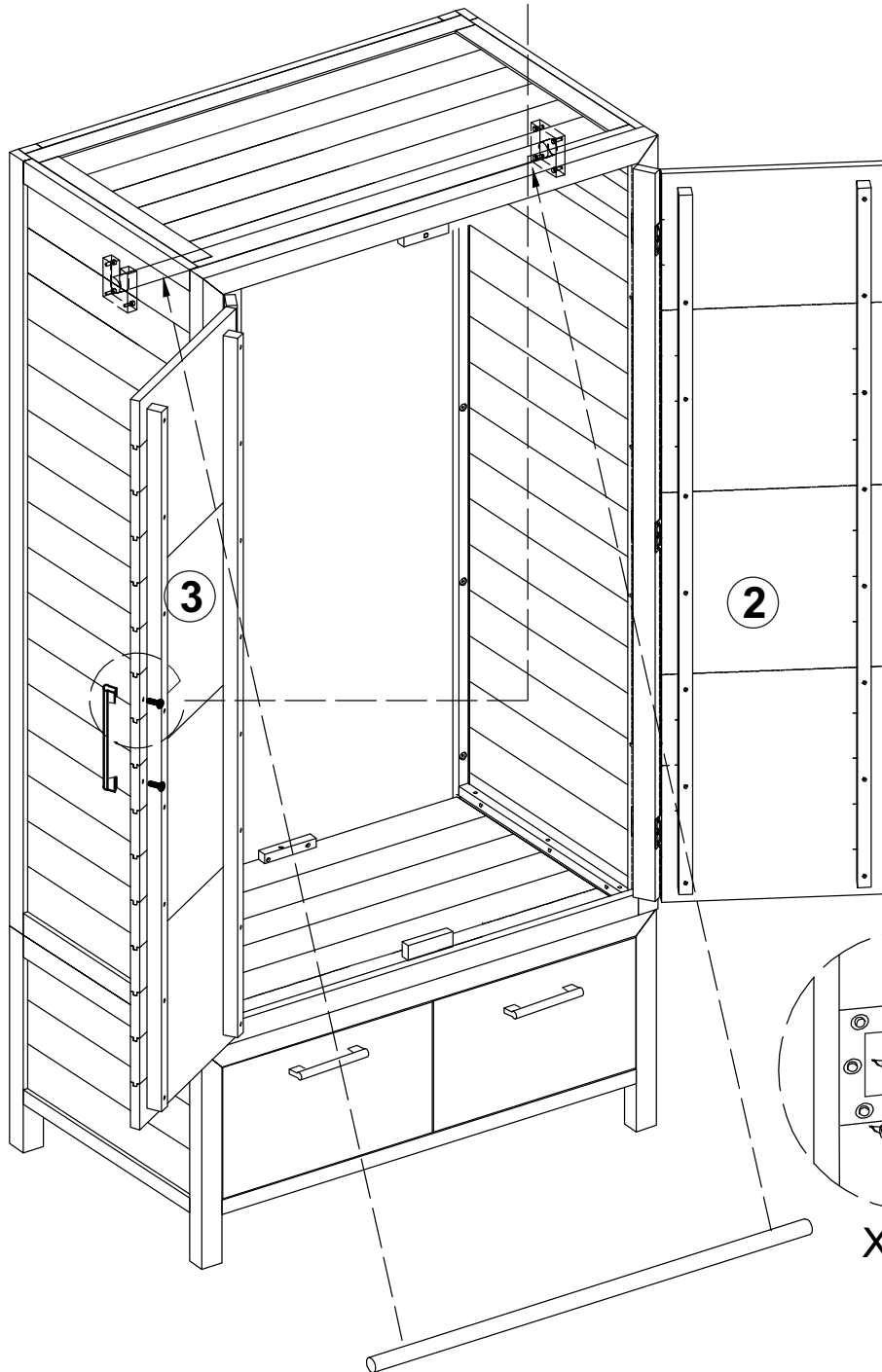
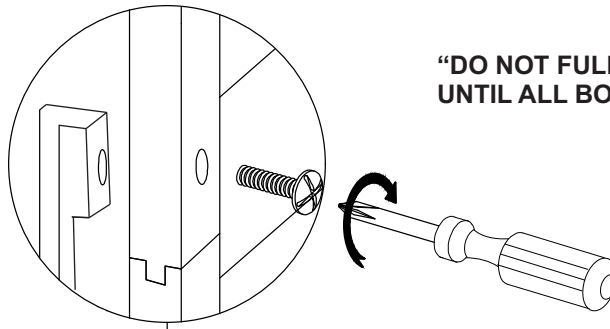


**x23**



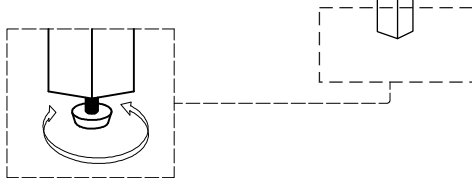
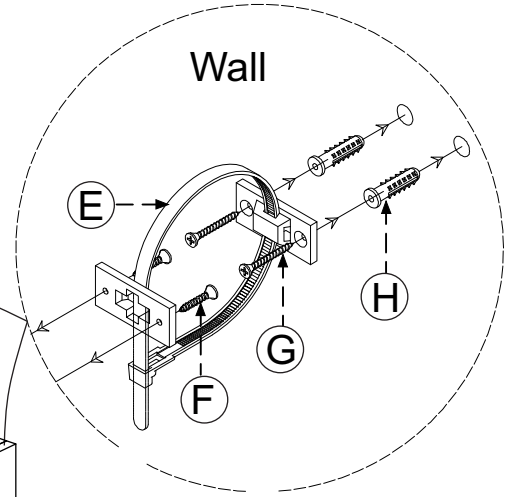
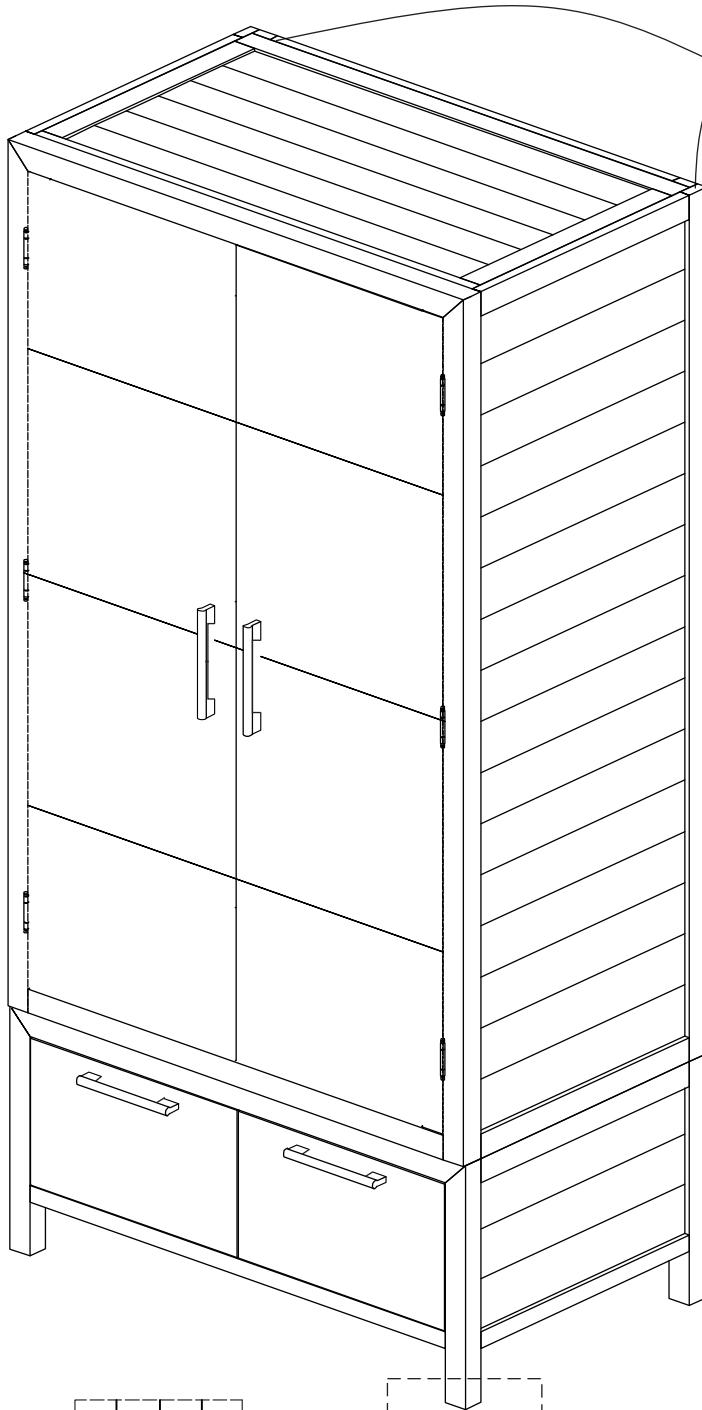
4

“DO NOT FULLY TIGHTEN BOLTS UNTIL ALL BOLTS ARE IN PLACE”





5



Please adjust levellers in the bottom of the legs if the product does not sit flat on various surfaces

## **PRODUCT & CARE INFO:**

Reclaimed timber has had a life before it became a piece of furniture. For each plank, it could have lived a different life and travelled thousands of miles separately. Some pieces could have been used for different purposes and be a significantly different age. This means that across each piece you will be able to see and appreciate the unique natural grain, colour variation, burrs, knots and manmade marks that are part of the life each plank.

These features add to the beauty of your reclaimed furniture and should not be considered imperfections.

As a natural material, wood will continue to move and be affected by its surroundings. Changes in humidity and temperature can lead to warping and /or cracks in the wood. Therefore, it is advisable not to place your furniture against a direct heat source or air conditioning unit.

Over time, with changes in the atmosphere and light, the wood will mellow.

To ensure an even tone we recommend that it is not left in direct sunlight and any objects placed on the furniture should be regularly moved around to help avoid colour differences.

If you have chosen an extending dining table, it may be beneficial to leave your table extended for a period to allow the extension leaf to mellow with the rest of the tabletop.

- Assemble the product in the room intended for use.
- Always lift your furniture to move it, never drag or push it as this can cause damage.
- Regularly check all fixings and tighten if necessary.
- Wipe with a soft, slightly damp, lint free cloth. Buff with a dry, clean cloth.
- Wipe up spills immediately, never leave liquids sitting on the surface as this can damage the finish.
- Always use mats and coasters to protect the surface when in use.
- Never place hot items directly onto the surface.
- Do not use silicon-based furniture polish as the silicon can affect the finish.