

Assembly Instructions

Important before assembly:

Read these instructions carefully before assembling or using the product.

Please check the contents of the boxes before attempting to assemble this product. The instructions will have a checklist of parts and fittings.

Assemble the product as close to its intended final location/room as possible.

Health & Safety:

This product or some parts of this product will be heavy. Please use an assistant when lifting.

Please keep small parts out of reach of children.

Always use on a level, even surface.

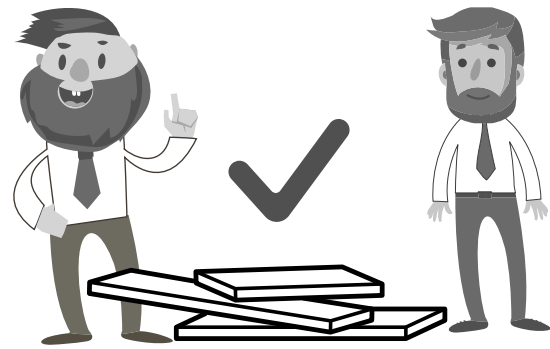
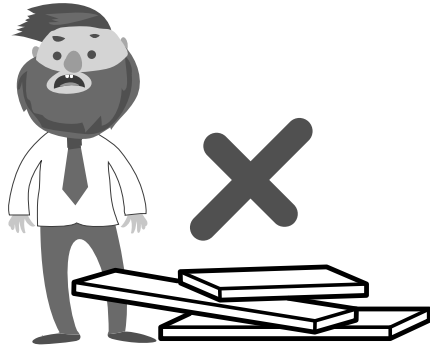
DO NOT jump on the product or any of its parts.

DO NOT use this product if any parts are missing, damaged or worn.

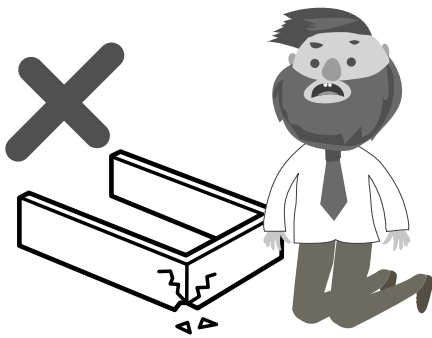
DO NOT use this product unless all fixings are secured.

Further instructions are on the following pages.

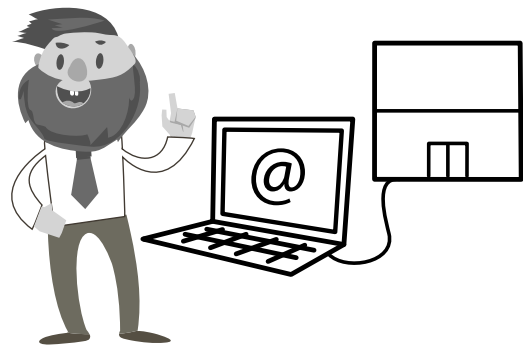
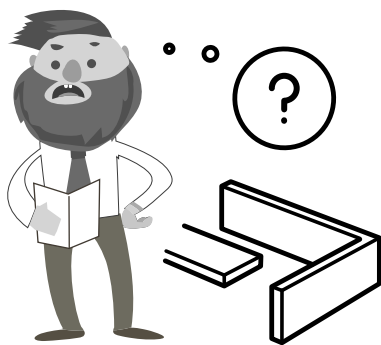
Please keep these instructions for future reference.



This product or some parts of this product will be heavy. Please use an assistant when lifting.

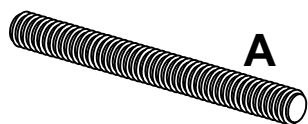


Never drag or push the pieces across a hard or stone floor as this will cause damage to the joints. Use a carpet or a rug for extra care.



If you have problems assembling or have damaged or missing pieces, please contact our customer services (details at the back of these instructions)

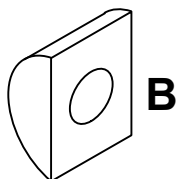
Please check all hardware matches the list below. Should you notice any are missing please contact your retailer.



A

M8 x L80mm

8x



B

M8

8x



C

M8

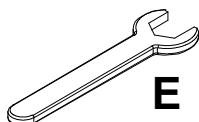
8x



D

M8

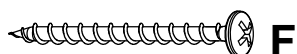
8x



E

M8

1x



F

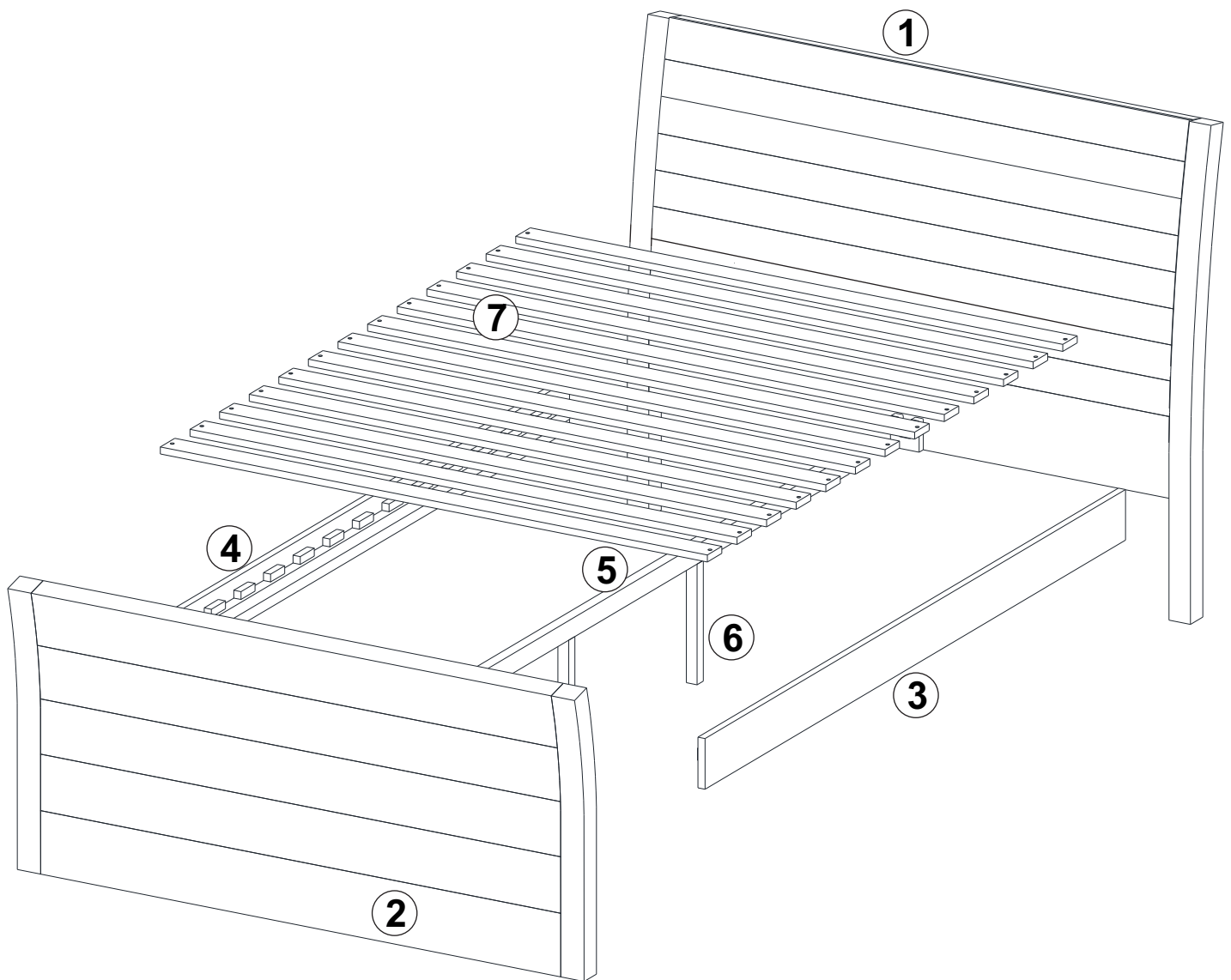
4x30mm

26x

We strongly advise that you do not use Power Tools such as drills or electric screwdrivers during the assembly of this product as this may cause irreparable damage and will invalidate your warranty.



PARTS



Please ensure that you carefully check all of the pieces, should you have any concerns please contact the retailer before assembly commences. Please have your order number, details of the issue, the product code and the batch number from the cartons as this will help us to resolve your issue much faster.

ASSEMBLY ADVICE

Please take the time to carefully read through these instructions before you commence.

Keep these instructions for future reference.

We advise that the product is assembled in the room it is intended for.

We advise that you keep the hardware in a bowl during assembly to avoid losing anything.

We strongly recommend that you keep children away from the work area.

Small component parts could choke a child if swallowed.

We recommend you use a sheet or blanket to protect both floor and product through the assembly stages.

This product is heavy, and we recommend a 2 person lift to avoid personal injury or damage to the product.

Never push or pull the product as this could cause both personal injury or irreparable damage to product or floor.

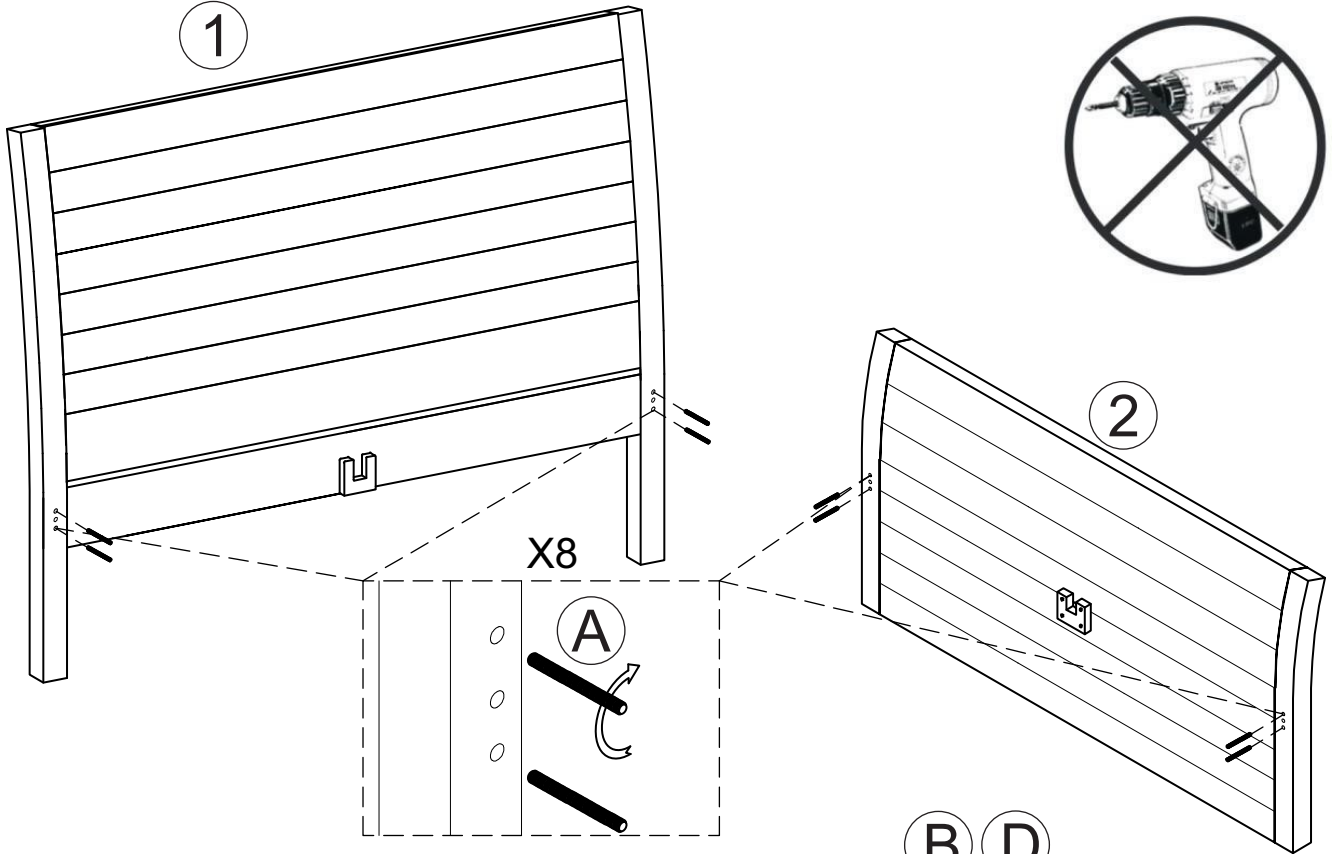
We have tried to make this piece of furniture easy to assemble if the instructions are followed carefully.

In the unlikely event that you have problems with assembling the product or have missing or damaged parts, please contact your retailer and we will assist them in rectifying the problem as quickly as possible.

Remember we strongly urge you DO NOT use power tools such as drill or electric screwdrivers as this could cause irreparable damage to your product and will invalidate your warranty

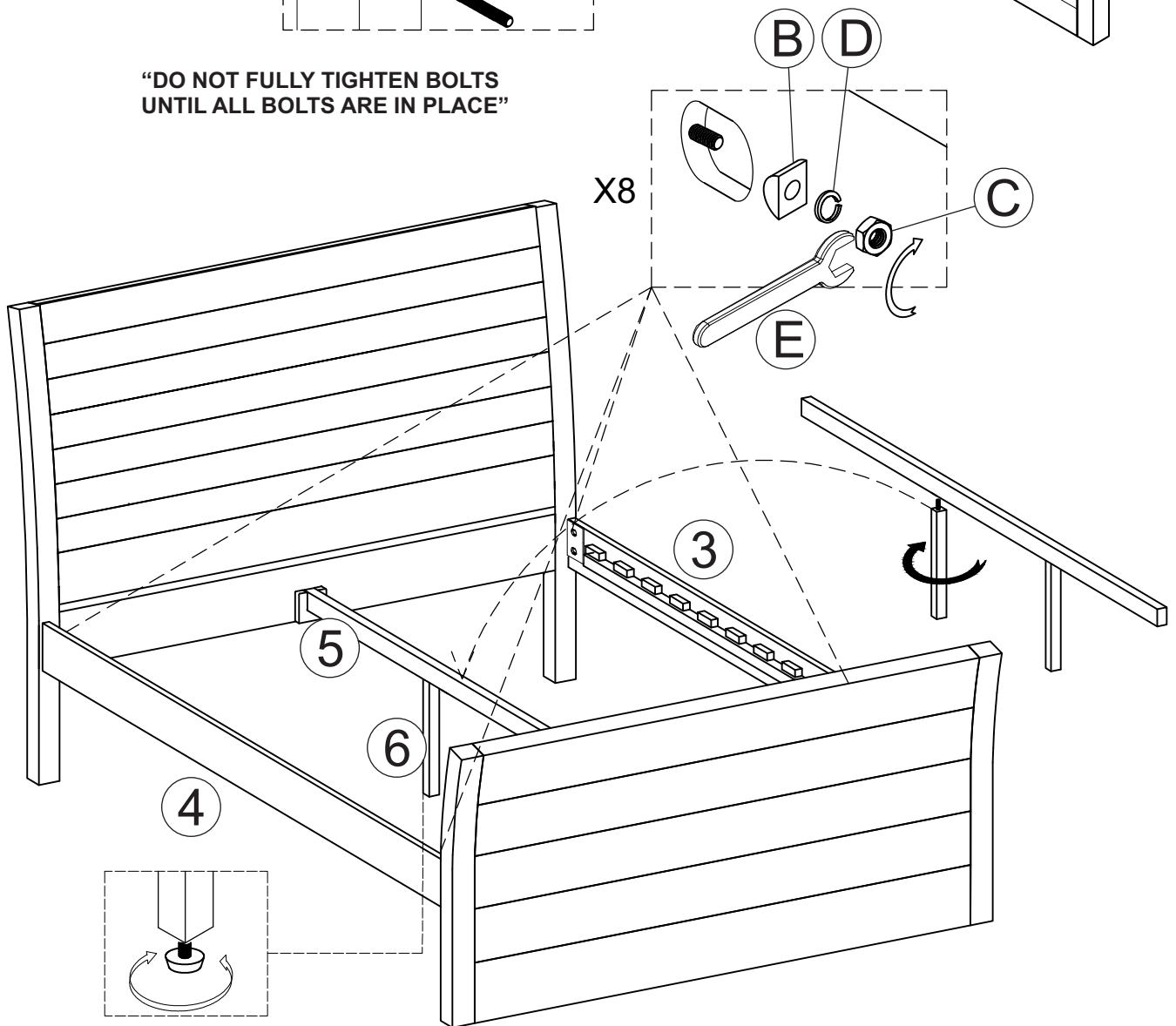


1



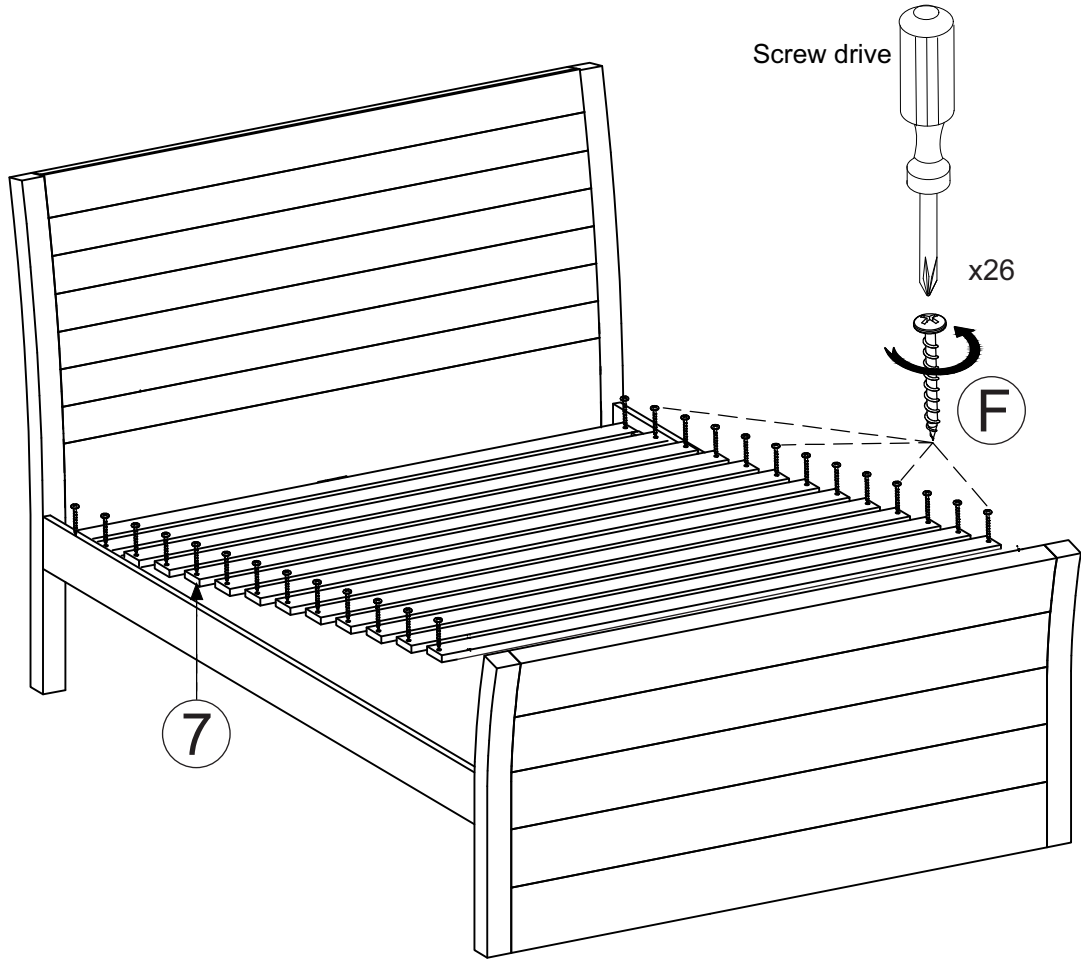
“DO NOT FULLY TIGHTEN BOLTS UNTIL ALL BOLTS ARE IN PLACE”

2

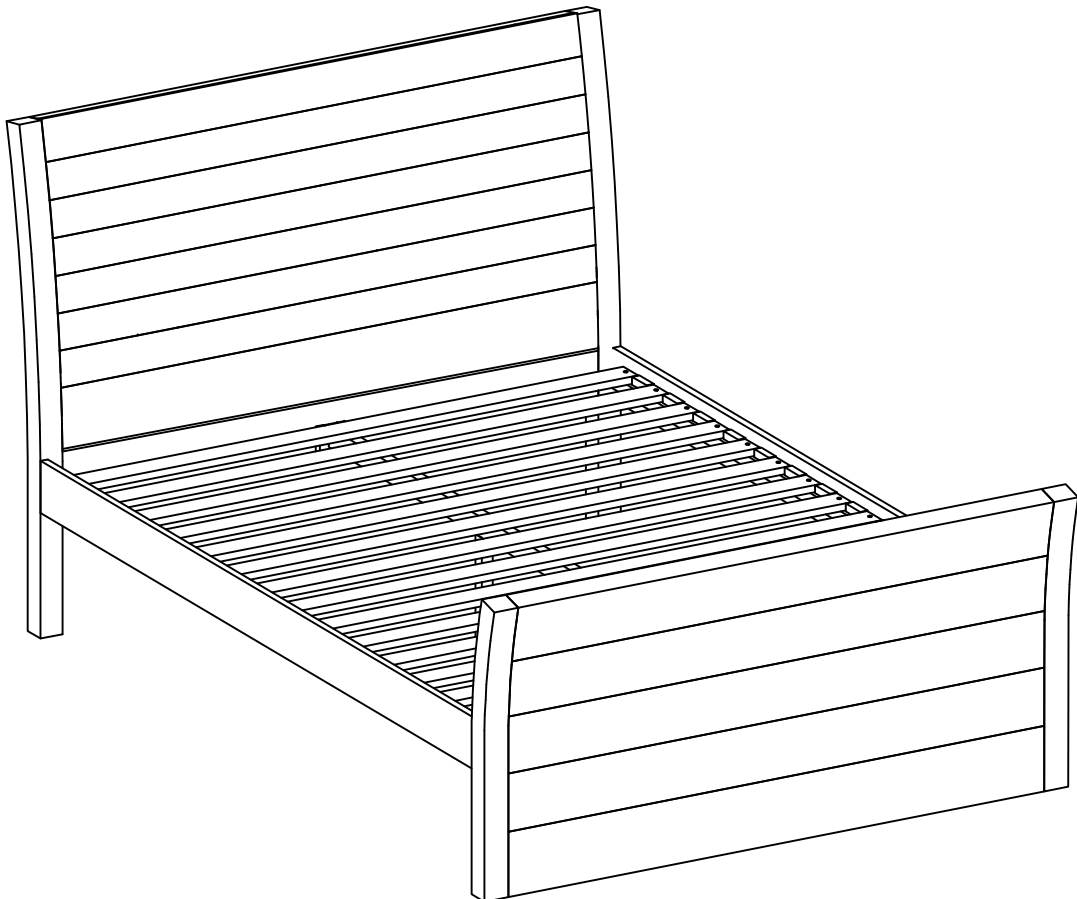


Please adjust levellers in the bottom of the legs if the product does not sit flat on various surfaces

3



4



Please dispose of all packaging safely.

General Care & Maintenance

Wipe clean with a slightly damp cloth.
Avoid the use of all household cleaners and abrasives.

Periodically check all screw & fixings to ensure they are secure.

When moving your product, carefully lift into place. Never drag or push the product across the floor as this will cause damage to the joints. If the product is used on hard flooring, such as wood or laminated floor, you must place some protection under the legs to stop the product from moving. If this is not adhered to, it could result in failure to the product that will invalidate the warranty.

For more information on cleaning and product care visit:
<https://www.happybeds.co.uk/help-and-advice>

Notes

In the unlikely event that you have problems putting this product together or have damaged or missing parts, please contact us by visiting:
<https://www.happybeds.co.uk/customer-service>