

Assembly Instructions

Important before assembly:

Read these instructions carefully before assembling or using the product.

Please check the contents of the boxes before attempting to assemble this product. The instructions will have a checklist of parts and fittings.

Assemble the product as close to its intended final location/room as possible.

Health & Safety:

This product or some parts of this product will be heavy. Please use an assistant when lifting.

Please keep small parts out of reach of children.

Always use on a level, even surface.

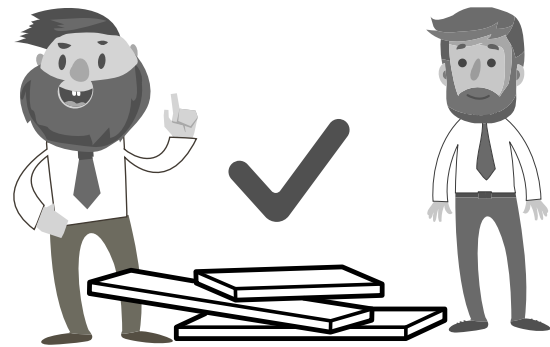
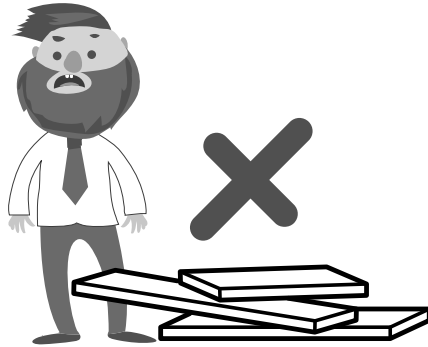
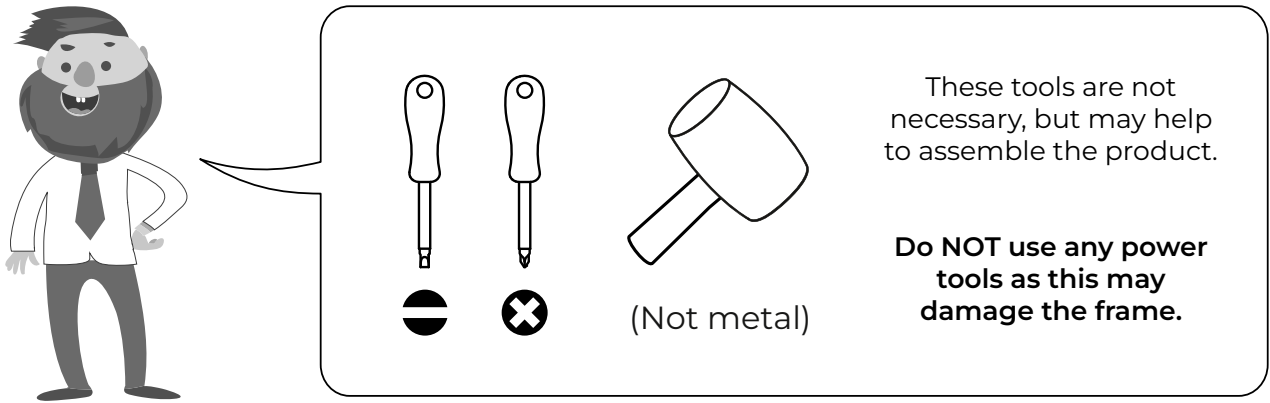
DO NOT jump on the product or any of its parts.

DO NOT use this product if any parts are missing, damaged or worn.

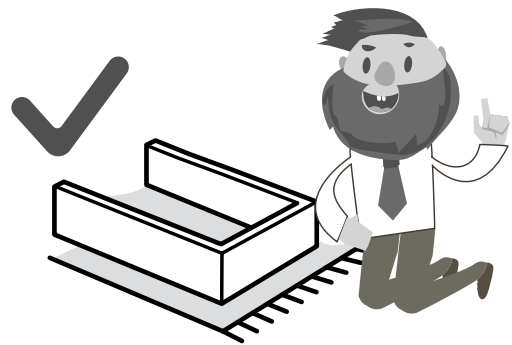
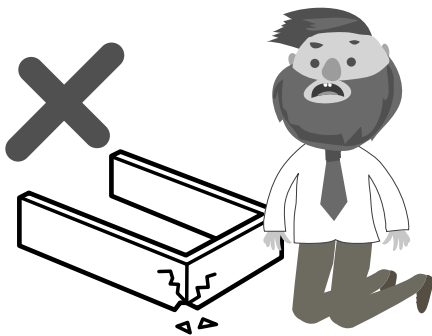
DO NOT use this product unless all fixings are secured.

Further instructions are on the following pages.

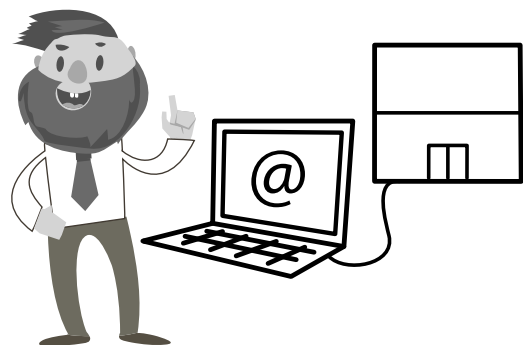
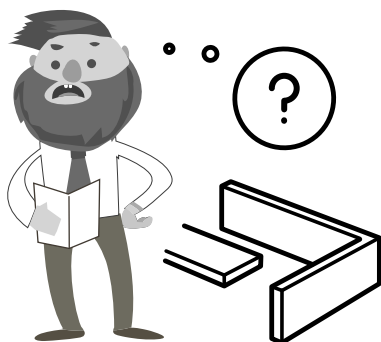
Please keep these instructions for future reference.



This product or some parts of this product will be heavy. Please use an assistant when lifting.



Never drag or push the pieces across a hard or stone floor as this will cause damage to the joints. Use a carpet or a rug for extra care.



If you have problems assembling or have damaged or missing pieces, please contact our customer services (details at the back of these instructions)



Important for Ottoman and other gas lift beds

Note:

The bed base is in the upright position when first assembled as the gas lifts are fully extended during shipment for safety. After assembly a firm downward push will be required to overcome any resistance in the gas lifts as these may initially stick. We suggest placing a mattress on top of the bed base to aide this and also test the operation of your new lift up bed by lifting and pushing down the bed base a few times to allow the lifting mechanism to bed in.

The lift mechanism provides assistance with the lift of the mattress fitted to the base. It does not lift the mattress for you. The system has been designed to effectively lift the base system fitted with a variety of mattress weights and combinations of depths. Depending on the combination of the mattress weight and depth determines the degree of assistance provided by the mechanism.

Following the installation of the mechanism lift, pull the base up and down a few times to free off the system. The gas cylinders fitted to the system may be stiff when first used or if the system has not been operated for a period of time.

Use the strap handles to lift up the mattress base using two hands. Pull the mattress base down using two hands equally spaced from the centre of the mattress base. DO NOT pull down on one side of the base only as this is likely to damage the base system with potential failure of the mattress base system and lift mechanism.

Do NOT operate the lift up mechanism without the mattress placed on the base.

Caution:

Do NOT allow children to operate the lift mechanism.
Do NOT allow children near the lift base when operating the mechanism.
Do NOT allow children in the area of the internal storage base.
Keep hands clear of the mechanism when operating the base system.
Do NOT stand inside the bed or the internal storage base.
Do NOT overload the internal storage base.

ASSEMBLY INSTRUCTIONS HERRINGFORD 4'6 OTTOMAN BED

IMPORTANT: READ THESE INSTRUCTIONS CAREFULLY BEFORE ASSEMBLING OR USING YOUR HERRINGFORD 4'6 OTTOMAN BED.

PLEASE KEEP THESE INSTRUCTIONS FOR FUTURE REFERENCE.

HEALTH & SAFETY:

DO NOT jump on this bed frame.

DO NOT use this bed frame if any parts are missing, damaged or worn.

DO NOT use this bed frame unless all fixings are secured.

Please keep small parts out of reach of children.

Always use on a level, even surface.

WARNING: If this bed is placed on a non-carpeted floor you must place some protection under all legs to stop the bed frame from moving. If this is not adhered to there is no guarantee if the bed frame collapses.

WARNING: Take care when assembling the base, assemble the ottoman as close to its final position. The ottoman has a powerful mechanism and after assembly should only be opened when the bed mattress is in place.

CARE & MAINTENANCE:

Assemble in the room of use.

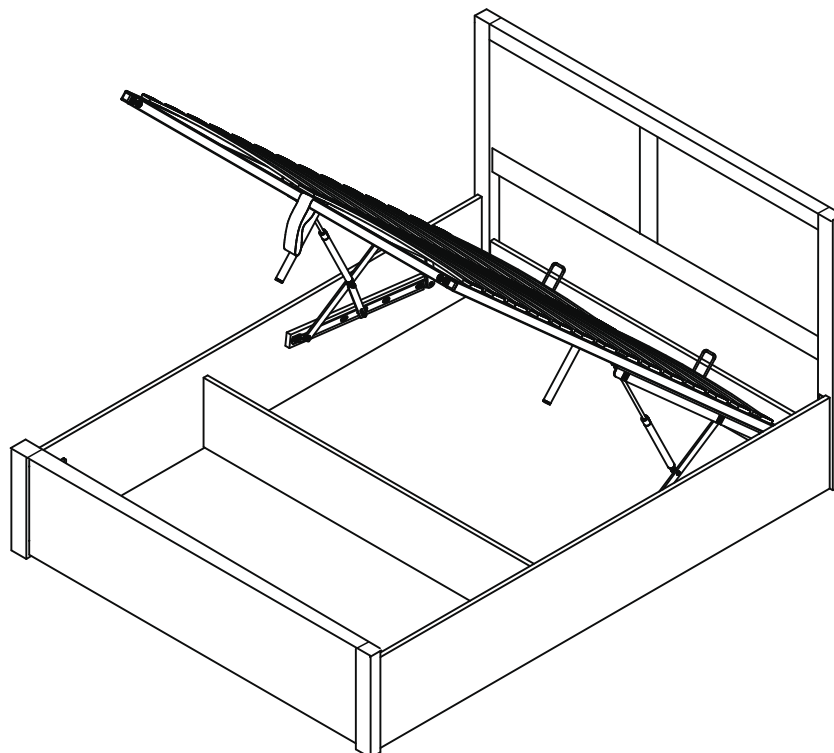
Periodically check all screws & fixings to ensure they are secure.

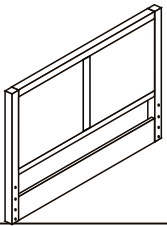
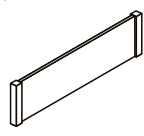

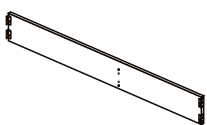
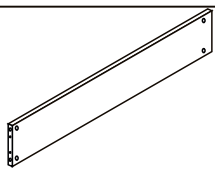
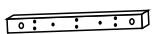







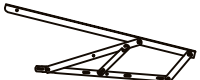


DO NOT push the bed frame as this will damage the legs.












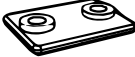


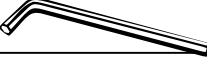




Always lift the bed with two people to reposition.

Keep any sharp objects away from the frame.

Assemble must be done by two persons.



Parts List				
Parts	Description		Qty	Box
1	Headboard Frame		1	1/3
2	Footboard Frame		1	1/3
3	Left Side Rail		1	2/3
4	Right Side Rail		1	
5	Centre Storage Panel		1	
6	Hydraulic Arm Spacer		2	
11	Left Side Metal Bar		1	3/3
12	Right Side Metal Bar		1	
13	Headboard End Metal Bar		1	
14	Footboard End Metal Bar		1	
15	Center Metal Bar		1	
16	Support Leg		2	
17	Slat		36	3/3
18	Left Hydraulic Base Support c/w Pump Stopper		1	3/3
19	Right Hydraulic Base Support		1	
20	Hydraulic Base Pump		2	

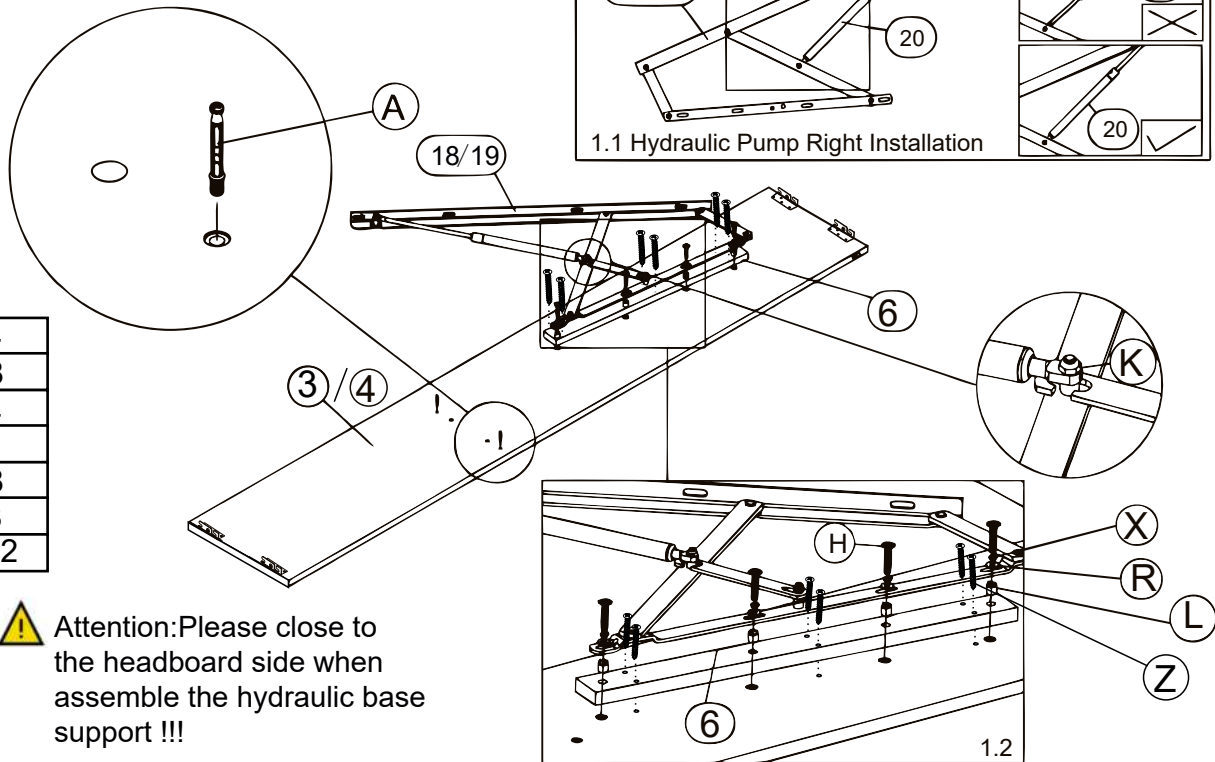
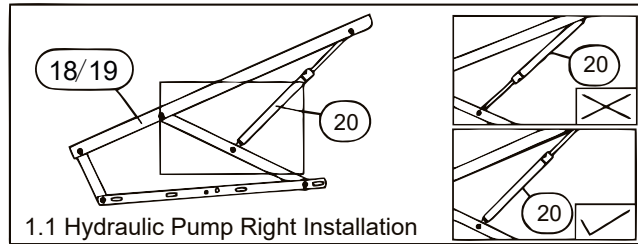
Hardware List (Found in box 3)				
Parts	Description		Qty	Box
A	Mini Fix		4	3/3
B	8x30 mm Wooden Dowel		4	3/3
C	Metal Corner Block		2	3/3
G	M8x15 mm JCBC Bolt		32	3/3
H	M8x45 mm JCBC Bolt		14	3/3
J	Base Handle		2	3/3
K	M8 Nut		4	3/3
L	Plastic Washer		8	3/3
M	Single Slat Cap		36	3/3
N	Double Slat Cap		18	3/3
P	Belt Handle		1	3/3
Q	Washer Bracket		4	3/3
R	Flat Washer		30	3/3
S	M8x40 mm JCBC Bolt		8	3/3
U	M8 Allen Key		1	3/3
V	M12.8 Spanner		1	3/3
W	Washer Bracket		6	3/3
X	Spring Washer		30	3/3
Z	Screws by M4x25mm		12	3/3

** You will also need a screwdriver and small mallet (not provided).

Step 1: Firstly, fix the hydraulic pump to each hydraulic base as shown in diagram 1.1. Next fix the left and right hydraulic spacer together with the hydraulic base supports on to both side rails using bolts H. Then fix the left and right hydraulic spacer on to both side rails using screws Z.

Ensure Plastic washers (part L) are used between the Hydraulic spacer (part 6) and the hydraulic base support (parts 18/19) as shown in the image.

Then screw the mini fit part A to both side rails as shown in diagram 1.2.

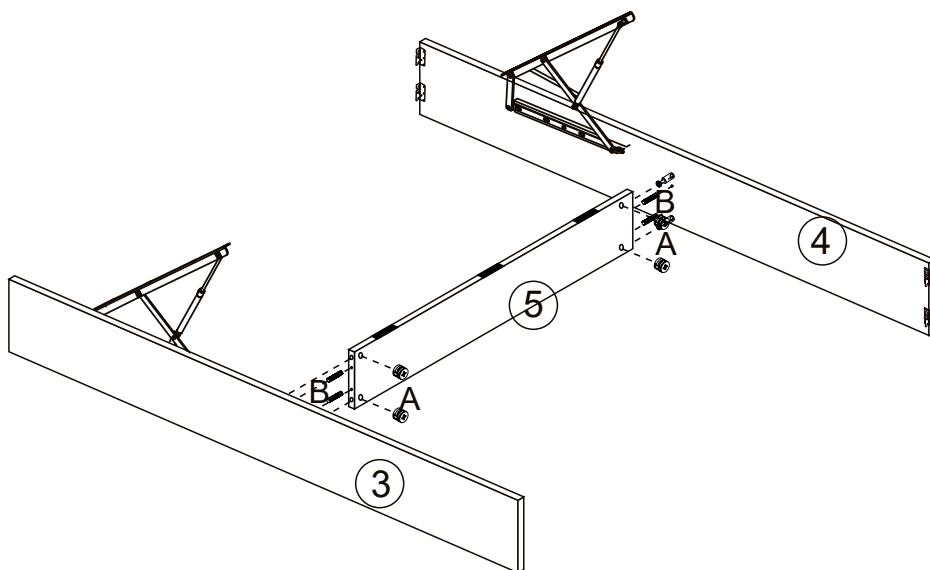


AX4
HX8
KX4
LX8
RX8
XX8
ZX12

⚠ Attention: Please close to the headboard side when assemble the hydraulic base support !!!

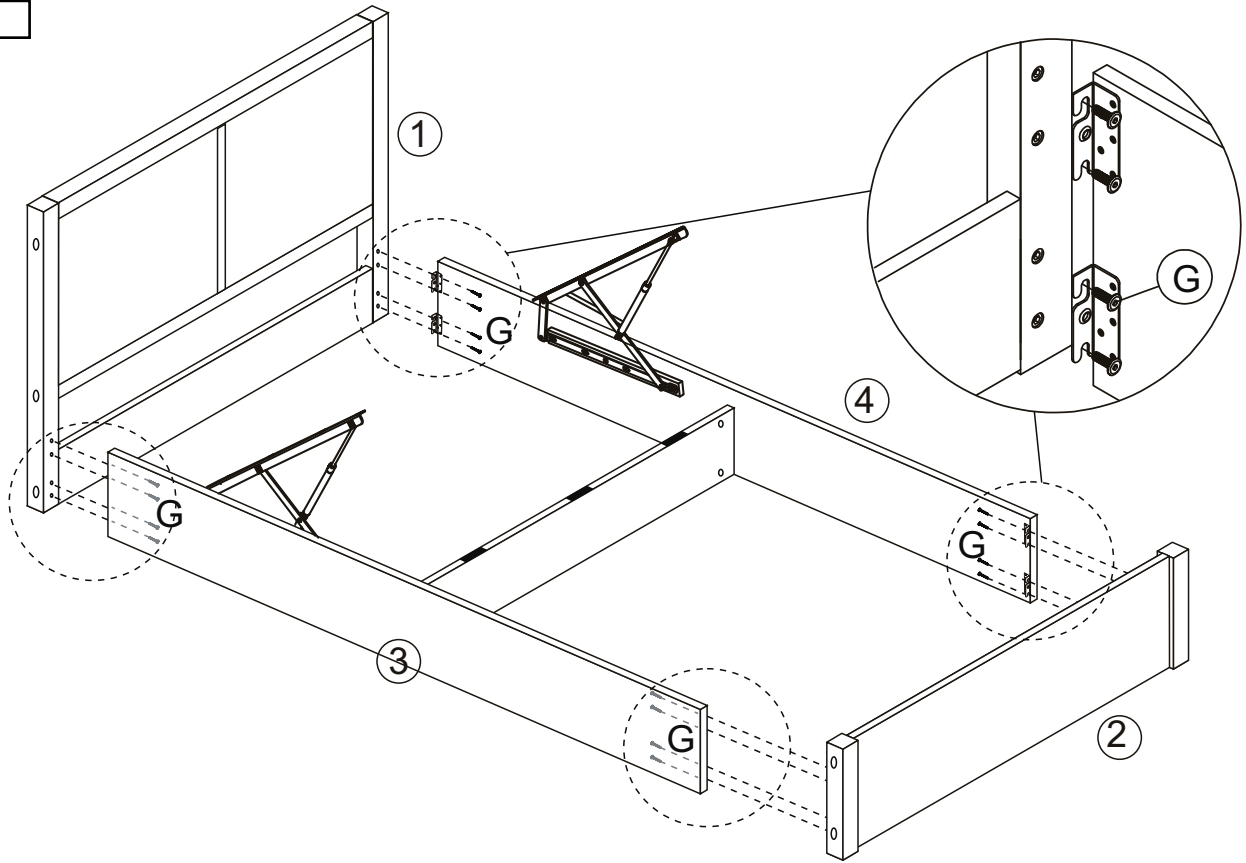
Step 2: Join together the left side rail (3) and right side rail (4) with the centre storage panel (5) using hardware parts A and B.

AX4
BX4



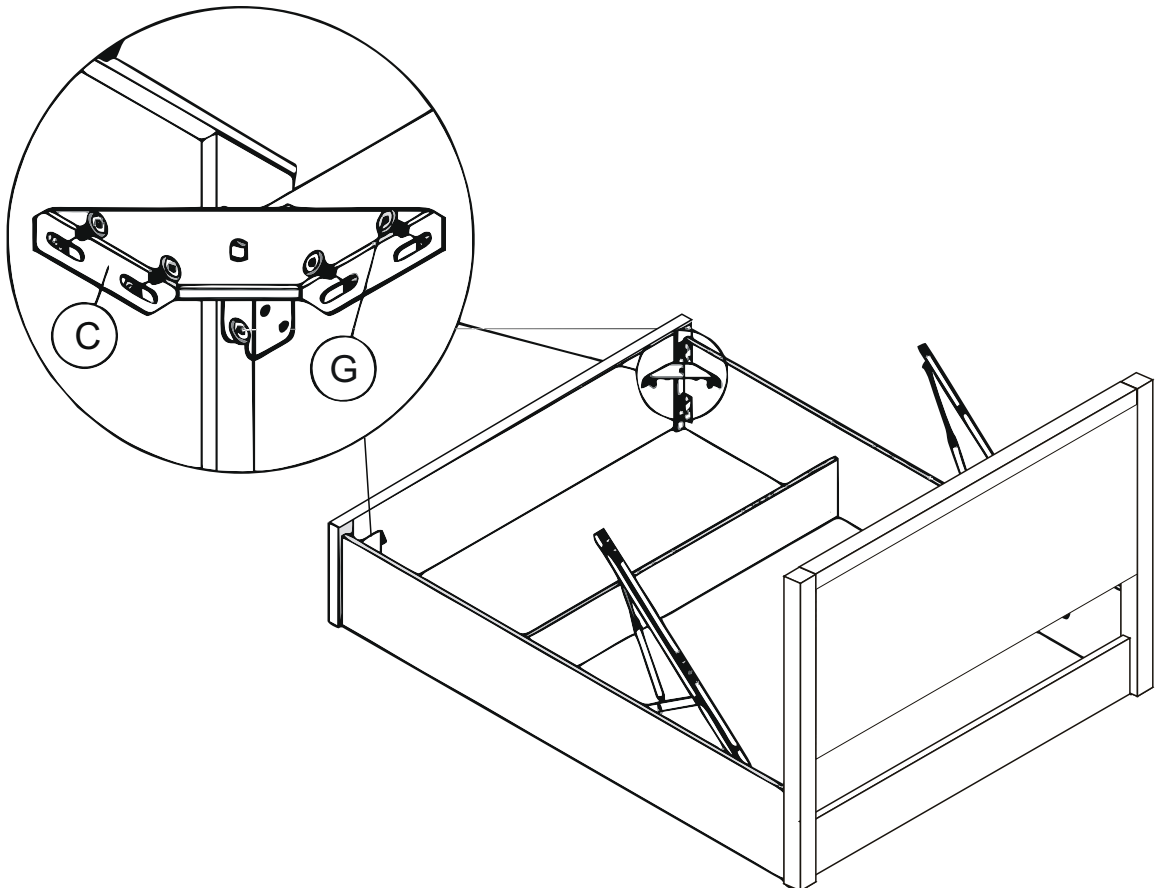
Step 3: Fix the Headboard(1) and Footboard(2) with the bed frame by Hardware(G).

GX16



Step 4: Fix the Metal Corner Block(C) by Hardware(G).

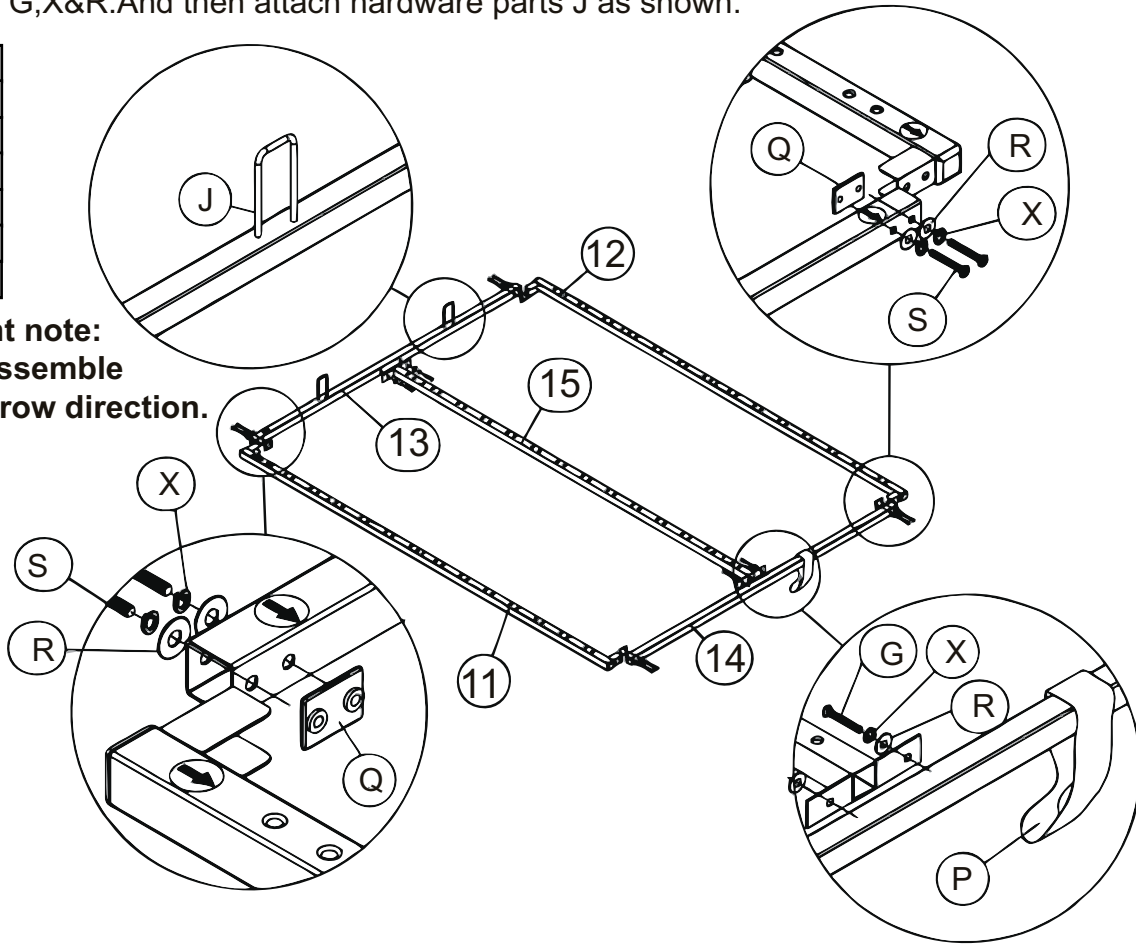
CX2
GX8



Step 5: Join together all the bed base parts (11),(12),(13) and (14) using hardware parts S,X & R and also slide part P onto Part 14 before bolting together. Attach the centre rail(15) with Metal Frame by hardware G,X&R.And then attach hardware parts J as shown.

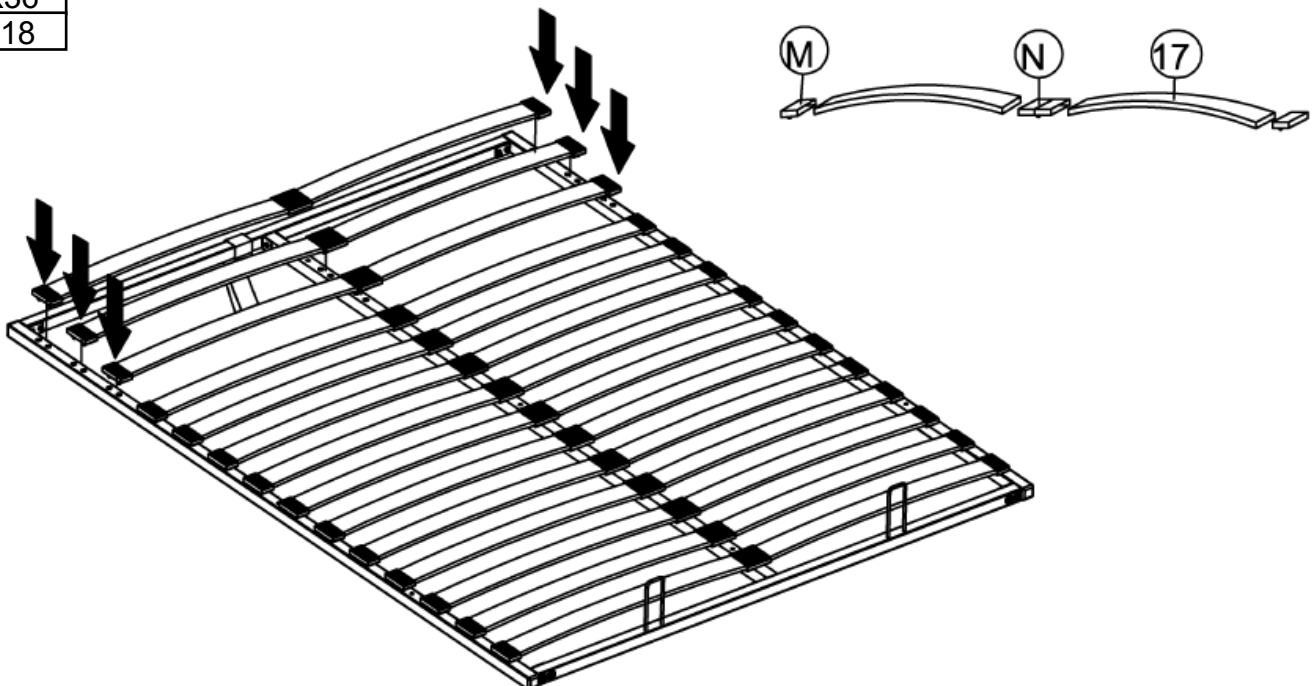
JX2
GX4
PX1
QX4
RX12
XX12
SX8

Important note:
Please assemble
follow arrow direction.



Step 6: Insert the slats (17) to hardware parts M and N then press into the base making sure they are secure.

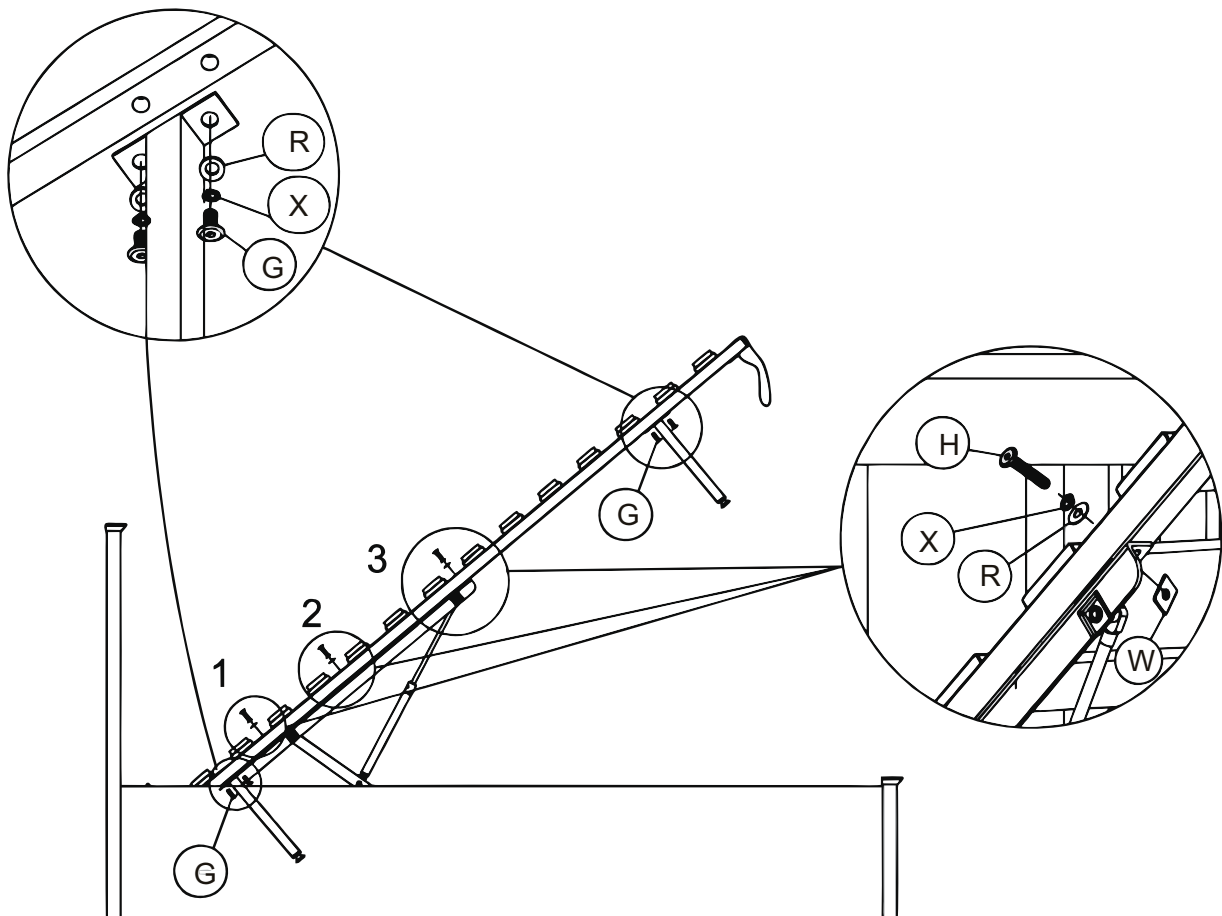
MX36
NX18



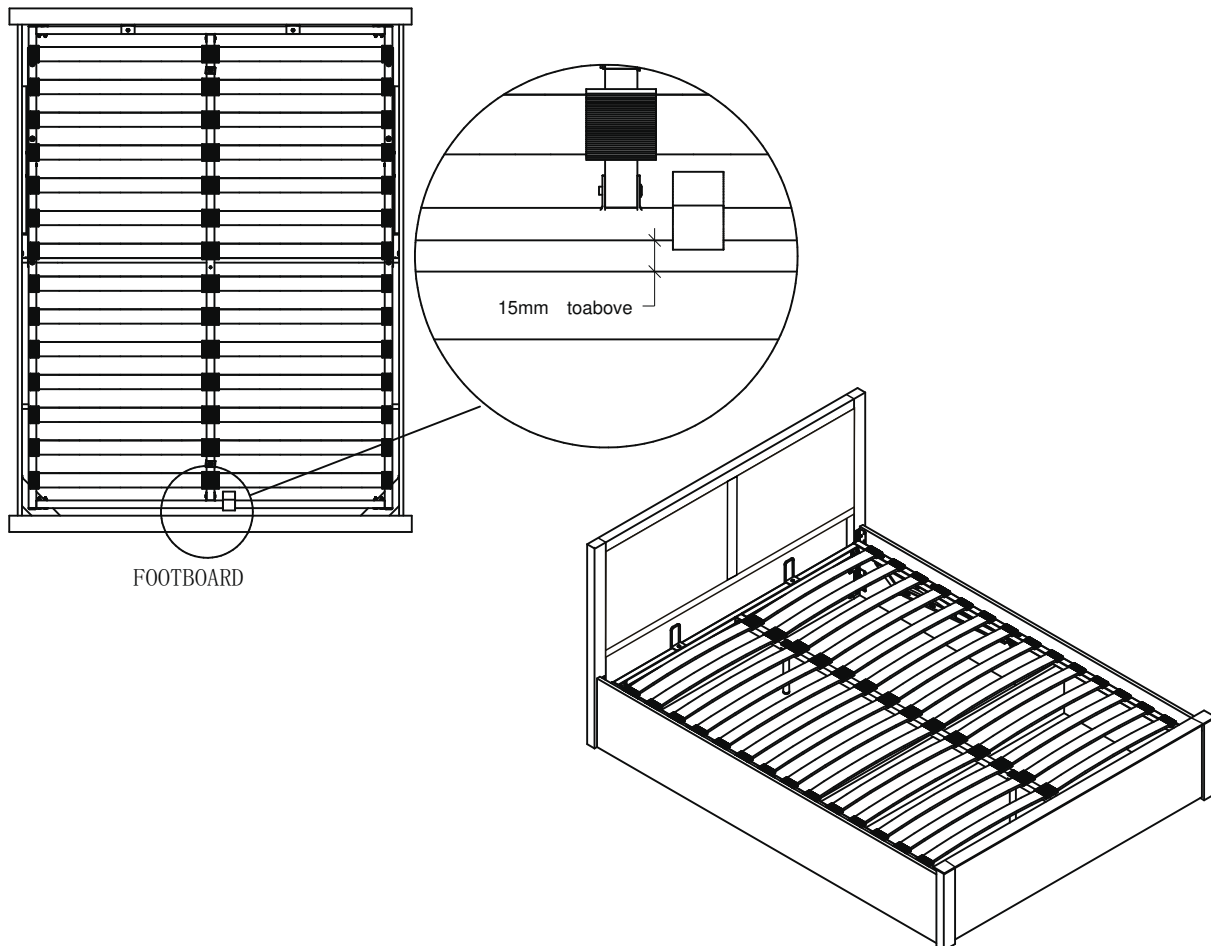
Step 7: Assemble the bed base on the right & left hydraulic frame starting from '1' to '3' as shown with Hardware H, X, R & W, and fix the support leg (16) to the bed base by Hardware G, X & R as shown .

Important note: Do not tighten the bolts yet!, and this assemble must be done by two persons.

GX4
HX6
RX10
WX6
XX10



Step 8: Adjust the bed base making sure that the distance to the footboard is approximately 15mm to above . Tighten all bolts and screws now.

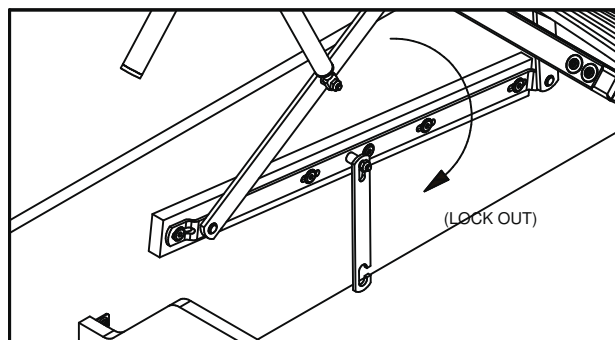
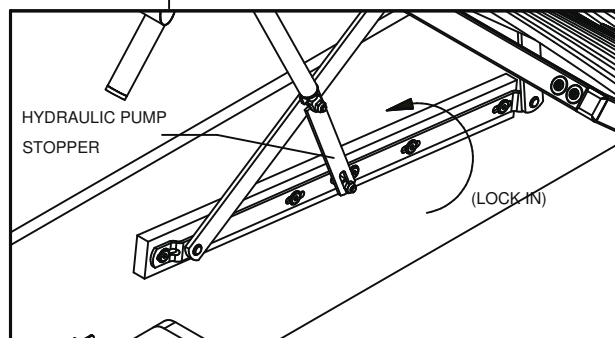
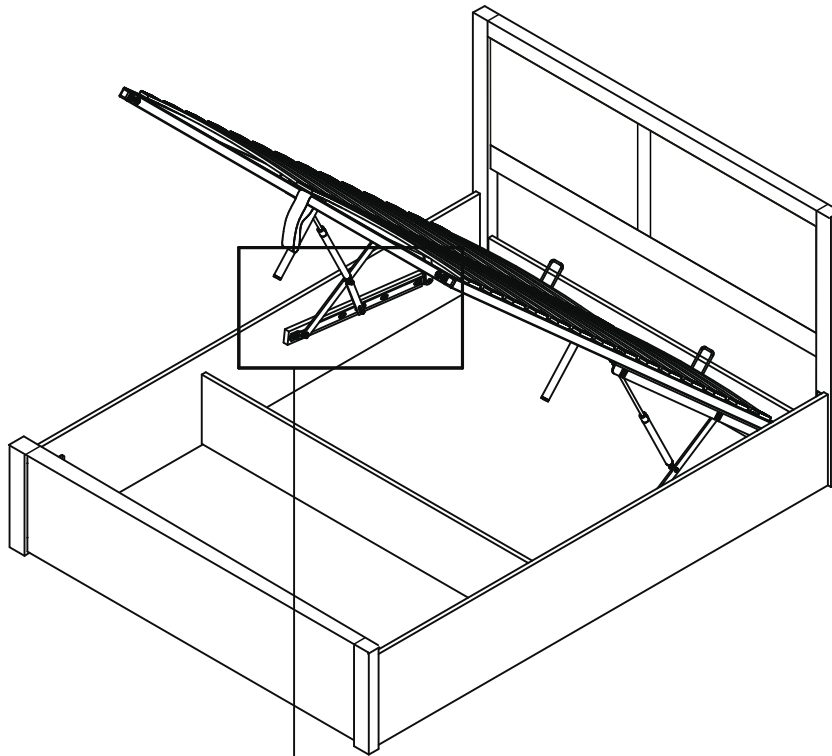


Additional Information:

- For complete product information, images and dimension diagrams please visit the website www.birlea.com
- If you have any issues with your item please contact the retailer directly you purchased it from who will be able to resolve any issues with Birlea.
- Why don't you send us photos of your assembled furniture to info@birlea.com to be shared in our #birleahome feature on Instagram.

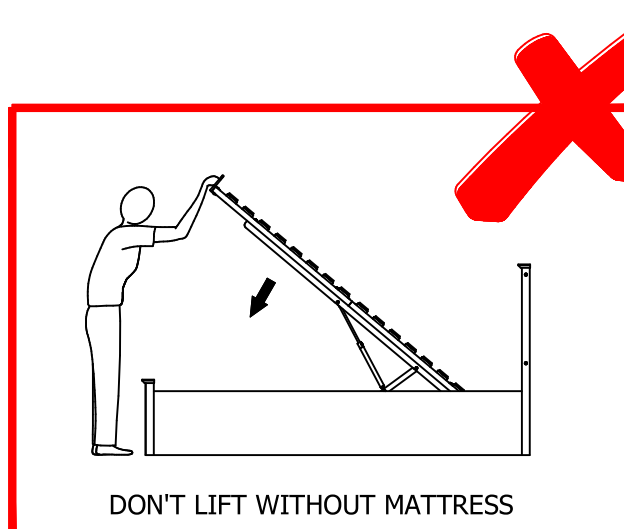
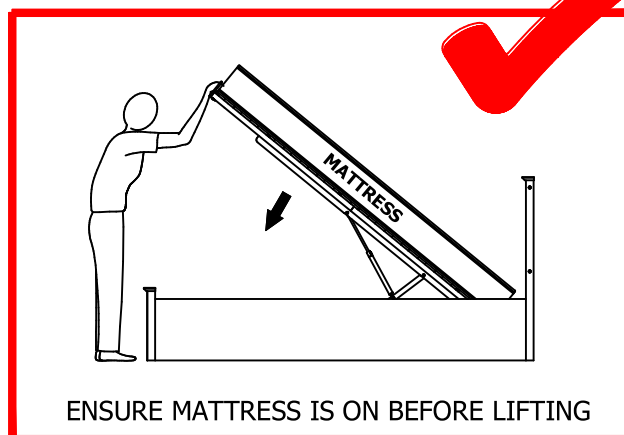
CAUTION :

PLEASE USE HYDRAULIC PUMP STOPPER FOR SAFETY PURPOSE.



Important Ottoman Safety Warnings

- . Caution. This bed uses a pressurised mechanism.
- . Use caution when operating - Always use two hands at arm's length, and only where illustrated on the product.
- . You must ensure the mattress is on the bed frame before lifting the mechanism - Failure to do so may result in injury.
- . Please ensure Children and pets are kept away from the bed when operating the bed mechanism.
- . If removing the mattress, make sure that the frame is secured as it could flip open.
- . Only use the storage compartment when the frame is fully raised in the 'up' position.
- . No children or animals are left unattended when the frame is in the 'up' position.
- . Do not remain on the bed whilst the lifting mechanism is in use.
- . Beware of Entrapment - Keep both hands clear of mechanism when operating the mechanism.
- . When lifting the bed remove all bedding - Except the fitted sheet.



Important for Ottoman and other gas lift beds

Please follow these final steps to ensure the best experience with your new bed

- Please ensure the pistons are fitted to the bed frame.
- Please place the mattress on top of the bed frame.
- Standing at the foot of the frame (looking at the headboard) open the base and the press quite forcefully down on the mattress - please do not attempt to do this without the mattress being in place.
- Please do not pull on the strap handles.
- Please note as the pistons are full of gas - you will need to press heavily to release the compressed gas.
- Once done the pistons should start operating as normal.



Please dispose of all packaging safely.

General Care & Maintenance

Wipe clean with a slightly damp cloth.
Avoid the use of all household cleaners and abrasives.

Periodically check all screw & fixings to ensure they are secure.

When moving your product, carefully lift into place. Never drag or push the product across the floor as this will cause damage to the joints. If the product is used on hard flooring, such as wood or laminated floor, you must place some protection under the legs to stop the product from moving. If this is not adhered to, it could result in failure to the product that will invalidate the warranty.

For more information on cleaning and product care visit:
<https://www.happybeds.co.uk/help-and-advice>

Notes

In the unlikely event that you have problems putting this product together or have damaged or missing parts, please contact us by visiting:
<https://www.happybeds.co.uk/customer-service>