



Assembly Instructions

HIGHGATE Wooden 2 Door Wardrobe



Important before assembly:

Read these instructions carefully before assembling or using the product.

Please check the contents of the boxes before attempting to assemble this product. The instructions will have a checklist of parts and fittings.

It would be sensible to lay a rug or a carpet on the floor where you intend to assemble the product, to avoid scratches and damaging the product or the floor.

Assemble the product as close to its intended final location/room as possible.

Do NOT use any power tools as this may damage the frame.

Health & Safety:

This product or some parts of this product will be heavy. Please use an assistant when lifting.

Please keep small parts out of reach of children.

Always use on a level, even surface.

DO NOT jump on the product or any of its parts.

DO NOT use this product if any parts are missing, damaged or worn.

DO NOT use this product unless all fixings are secured.

Please keep these instructions for future reference.



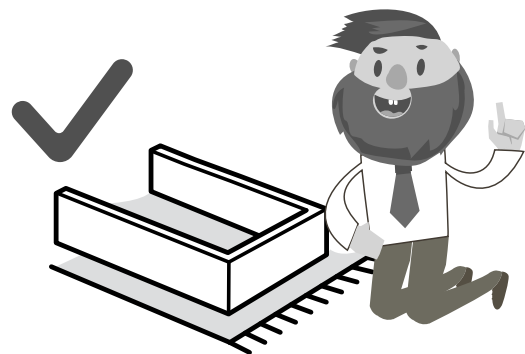
(Not metal)

These tools are not necessary, but may help to assemble certain parts of the product.

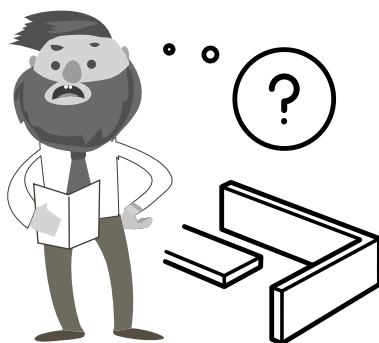
Do NOT use any power tools as this may damage the frame.



This product or some parts of this product will be heavy. Please use an assistant when lifting.

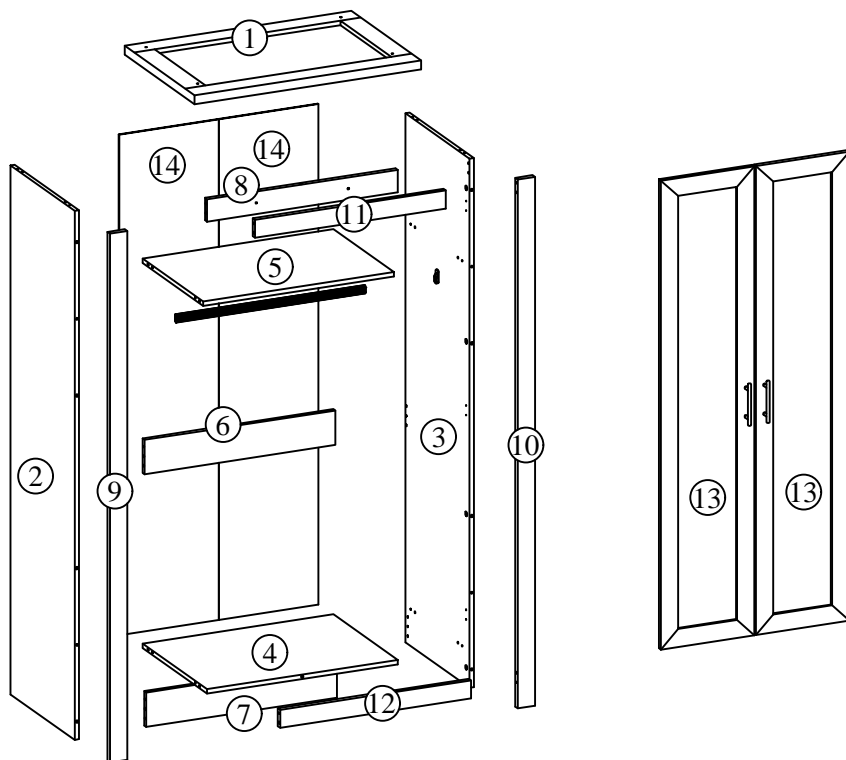


Never drag or push the pieces across a hard or stone floor as this will cause damage to the joints. Use a carpet or a rug for extra care.



If you have problems assembling or have damaged or missing pieces, please contact us by visiting:

<https://www.happybeds.co.uk/customer-service>



PARTS LIST

Carton 1 of 2:

Part	Description	Qty
2	Left Panel	1
3	Right Panel	1
9	Left Post Panel	1
10	Right Post Panel	1
11	Top Post Panel	1
12	Bottom Post Panel	1
13	Door	2
14	Back Panel	2

PARTS LIST

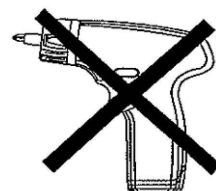
Carton 2 of 2:

Part	Description	Qty
1	Top Panel	1
4	Bottom Panel	1
5	Fix Shelf Panel	1
6	Back Support Panel	1
7	Plinth Panel	1
8	Top Support Panel	1

HARDWARE LIST: Carton 1 of 2

Part	Description	Qty
A	CAM NUT 15mm 	22
B	CAM BOLT 	22
C	WOOD DOWEL M6 x 25mm 	36
D	CSK SCREW M3.5 x 12mm 	4
E	CSK SCREW M4 x 16mm 	24
F	CSK SCREW M4 x 25mm 	2
G	CSK SCREW M4 x 65mm 	4
H	T/MS SCREW M4 x 22mm 	4
I	HINGES 7/8" 	6
J	TXM METAL BAR HANDLE 96mm 	2
K	PVC NAIL 	4
L	NAIL 	30
M	OVAL BRACKET 	2
N	OVAL PIPE (565mm) 	1
O	WASHER (M4) 	4
P	ANTI TIP STRAP 	2
Q	CSK SCREW M4 x 20mm 	4

** You will need a screwdriver and a small mallet (NOT provided)



** WARNING: THE USE OF POWER TOOLS TO ASSEMBLE THIS PRODUCT WILL INVALIDATE ANY CLAIM AND MAY DAMAGE THIS PRODUCT MAKING IT UNSAFE.

1

A		22
B		22
C		27
D		4
E		12
I		6
K		4
M		2

Insert hardware part A & part B using a screwdriver (not provided).

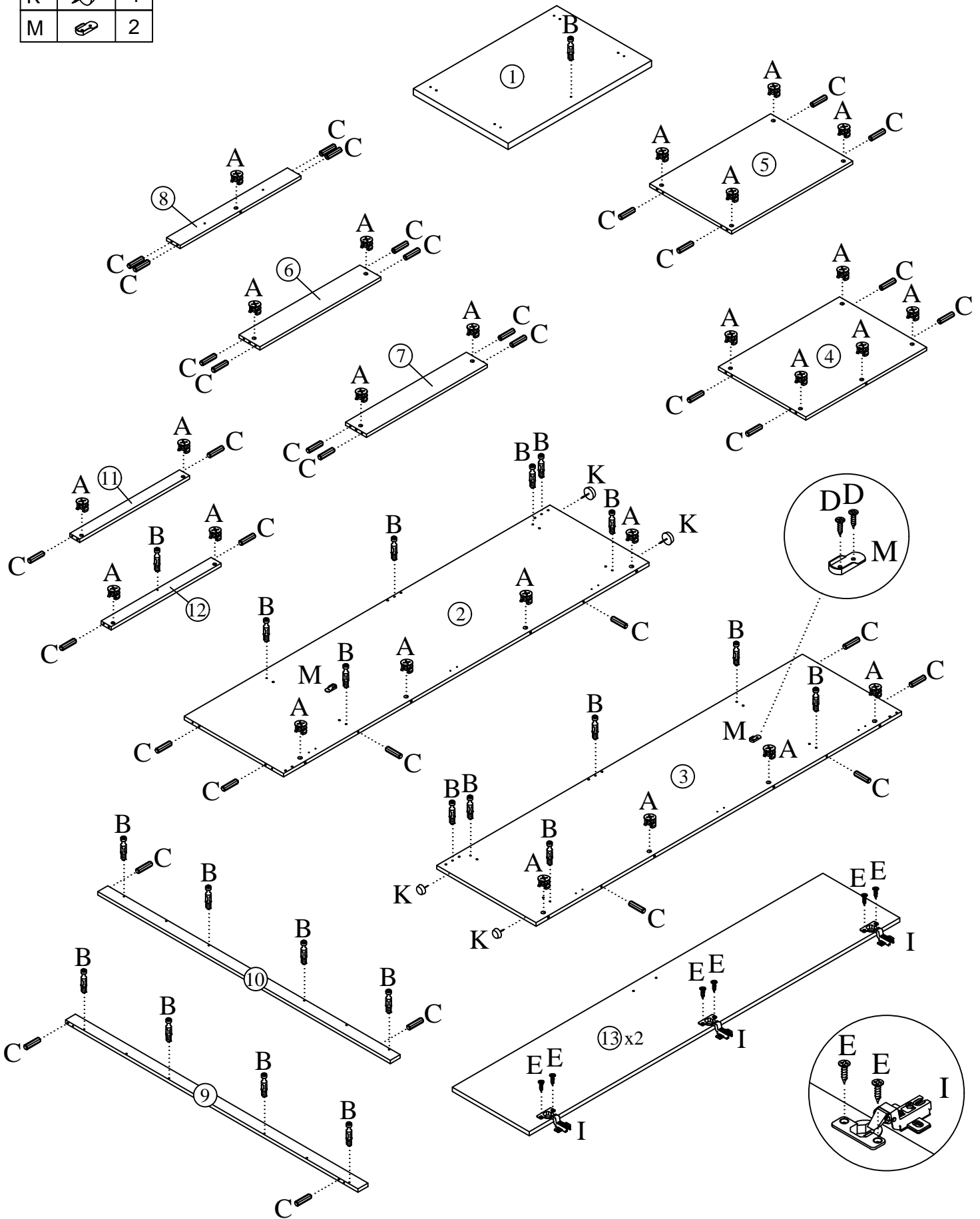
Insert hardware part C using a small mallet (not provided).

Insert hardware part K using a small mallet (not provided).

Fix hardware I with screw E using screwdriver (not provided).

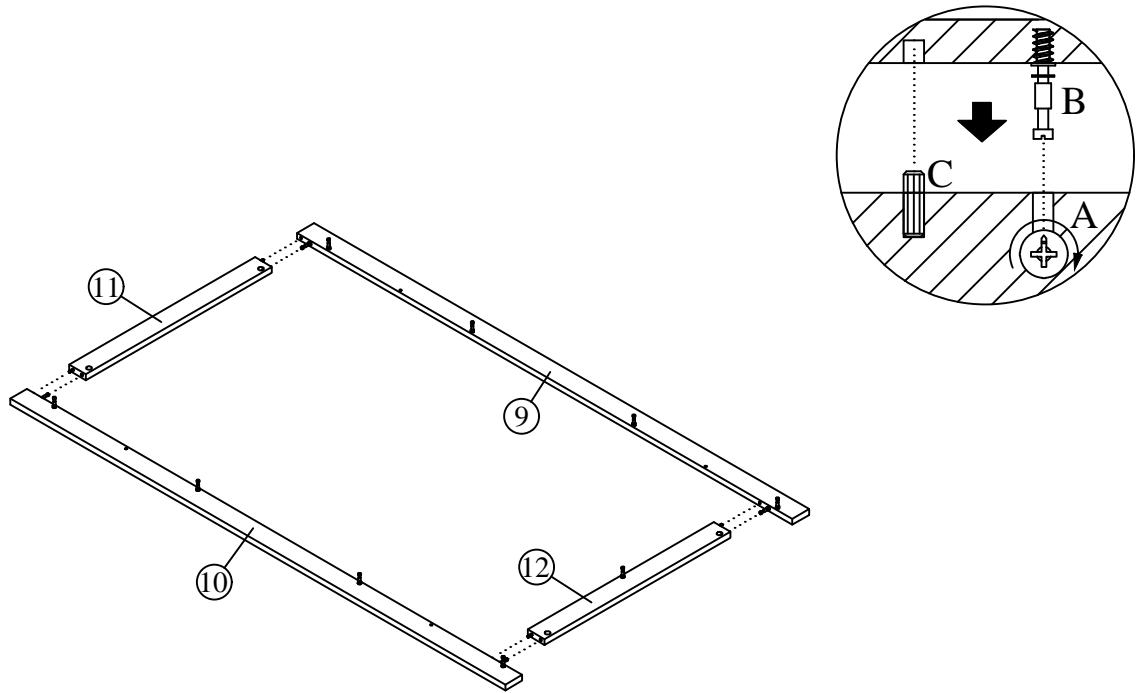
Fix hardware M with screw D using screwdriver (not provided).

DO NOT use any power tools as this may damage the frame and will invalidate any claim.



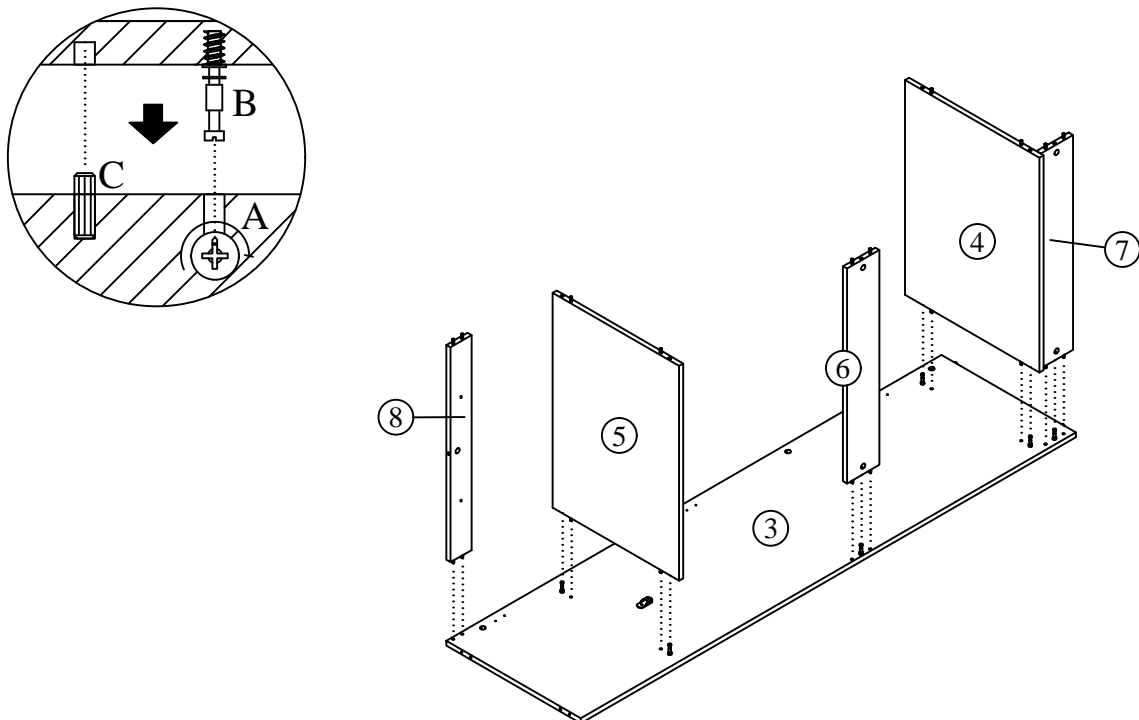
2

Attach the Post Panel together (9),(10),(11)&(12) by screwdriver (not provided).
DO NOT use any power tools as this may damage the frame and will invalidate any claim.



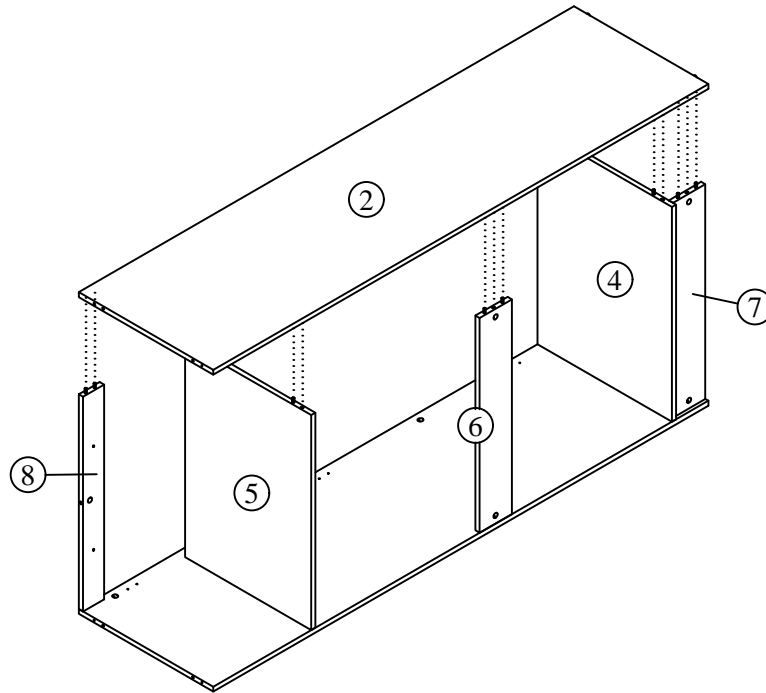
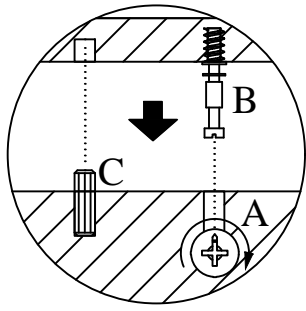
3

Attach the Bottom Panel(4) , Fix Shelf Panel (5) , Plinth Panel (7) Top and Back Support Panel (6) & (8) to Right Panel (3) by screwdriver (not provided).
DO NOT use any power tools as this may damage the frame and will invalidate any claim.



4

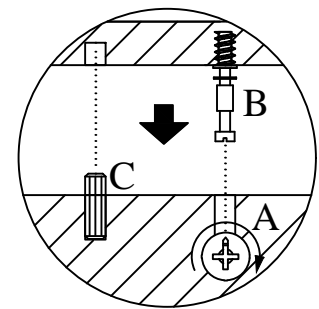
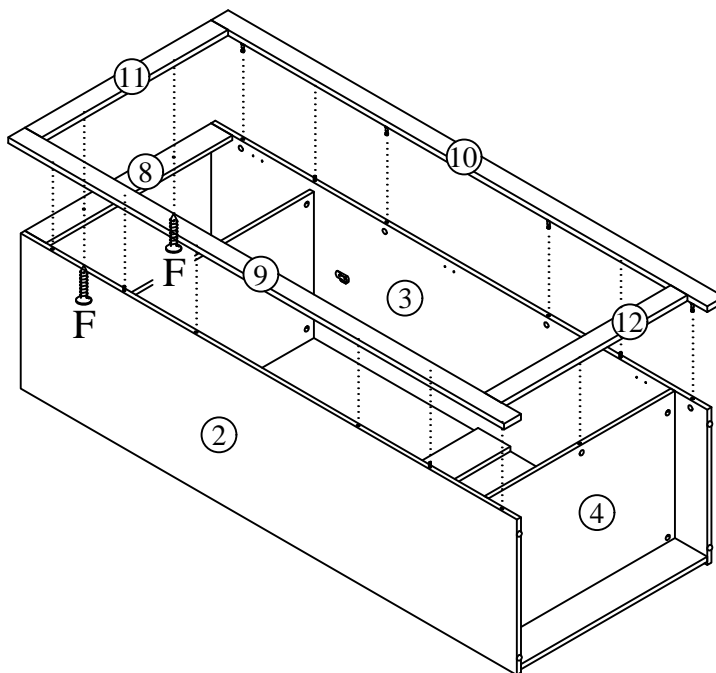
Attach the Left Panel (2) to Bottom Panel (4) , Fix Shelf Panel (5) , Plinth Panel (7)
Top and Back Support Panel (6) & (8) by screwdriver (not provided).
DO NOT use any power tools as this may damage the frame and will invalidate any claim.



5



Attach ALL Post Panel (9) , (10) , (11) & (12) to Left , Right & Bottom Panel (2) ,(3) & (4)
by screwdriver (not provided).
Fix Top Support Panel (8) to Top Post Panel (11) using screw (F) by screwdriver
(not provided).
DO NOT use any power tools as this may damage the frame and will invalidate any claim.



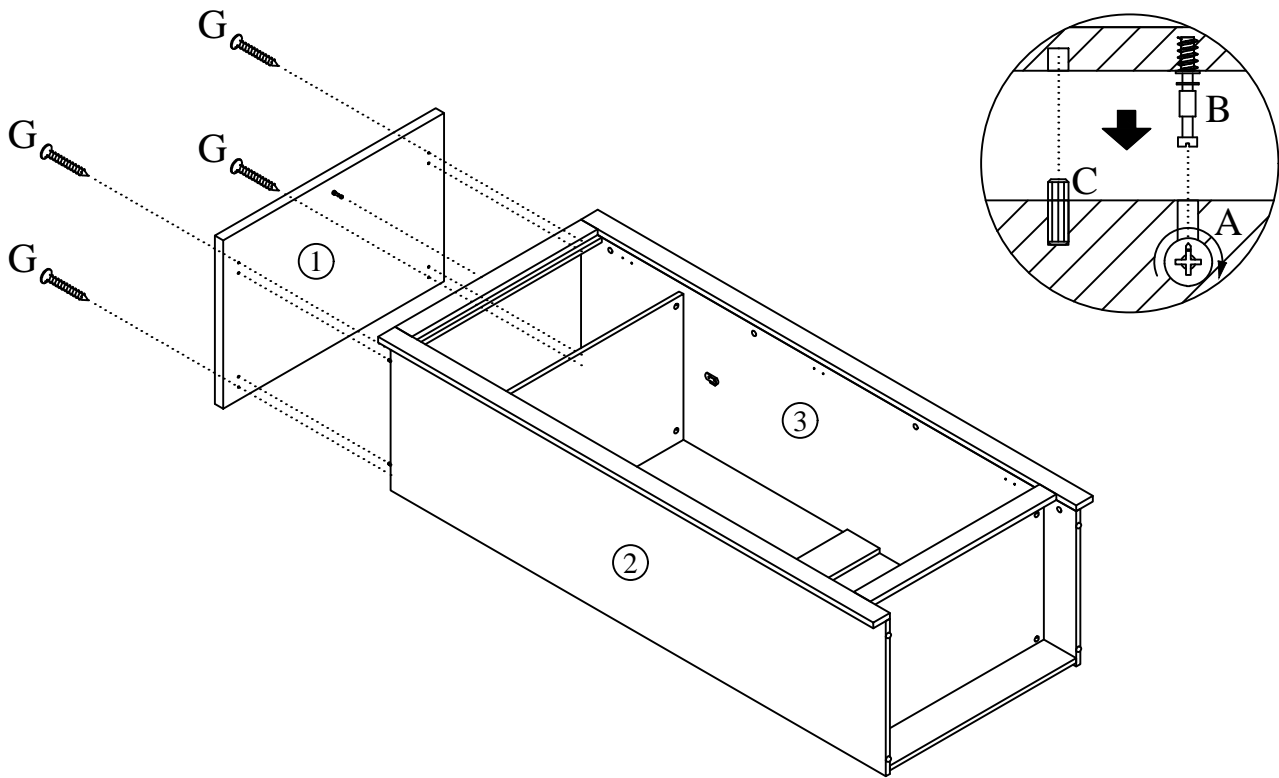
6

G		4
---	---	---





Attach the Top Panel (1) to Left and Right Panel (2) & (3) using screw (G) By screwdriver (not provided).

Fix the Top panel (1) to Top Support Panel (8) by screwdriver (not provided).

DO NOT use any power tools as this may damage the frame and will invalidate any claim.



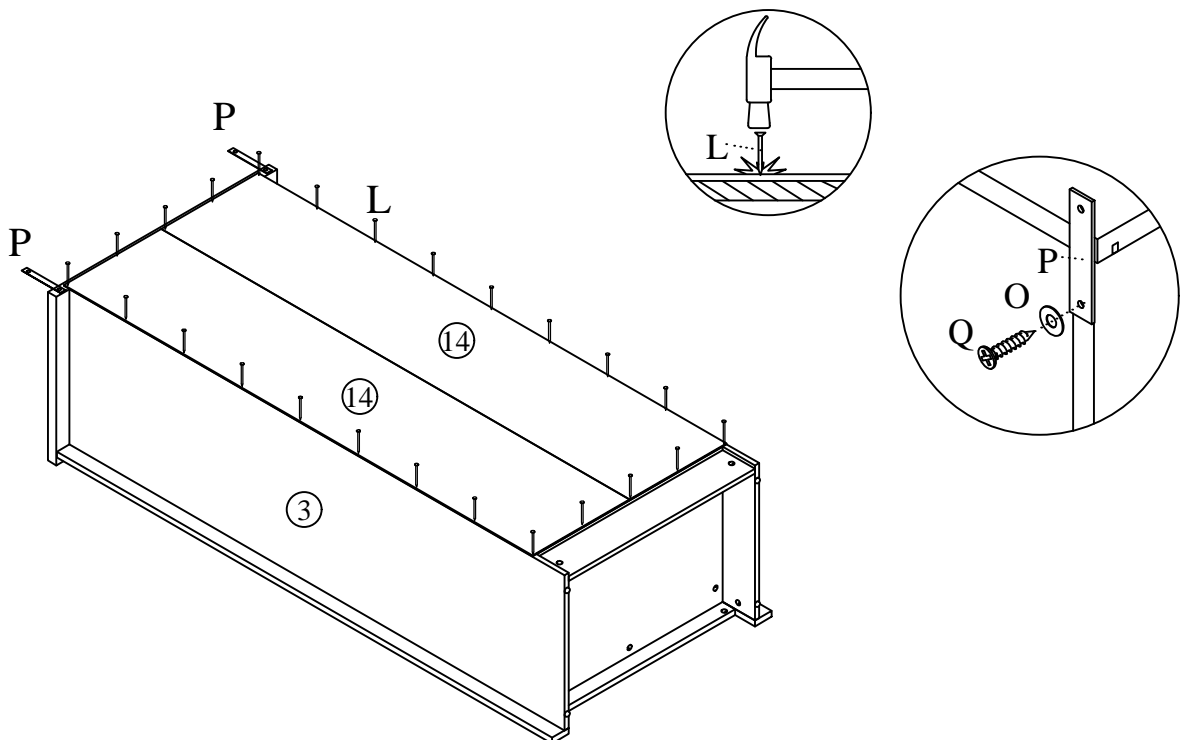
7

L		30
O		2
P		2
Q		2







Attach The Back Panel (14) using Nail (L) by screwdriver (not provided).

Fix Anti tip strap (P) with washer (O) and Screw (Q) To Top Panel (1) by screwdriver (not provided).

DO NOT use any power tools as this may damage the frame and will invalidate any claim.



8

E		12
H		4
J		2
N		1
O		2
Q		2

Attach the Door (13) to Left and Right Panel (2) & (3) with Hinges (I) using screw (E) by screwdriver (not provided).

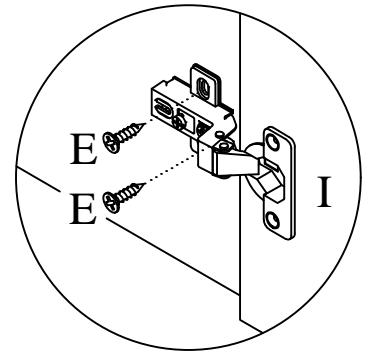
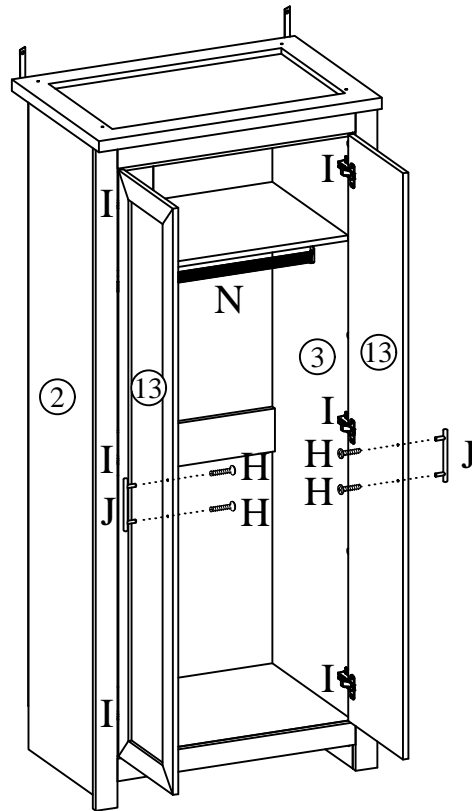
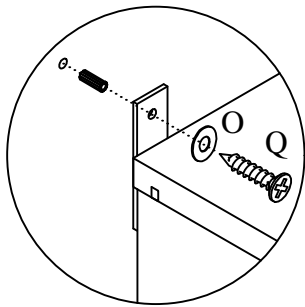
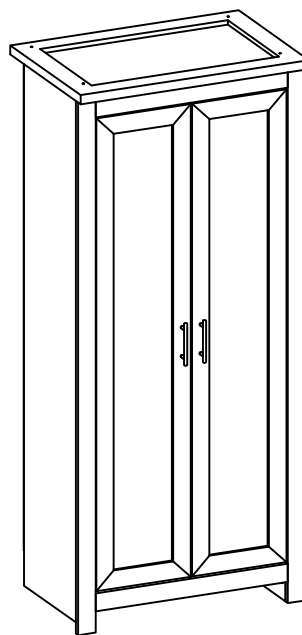
Fix Handle (J) to Door (13) using screw (H) by screwdriver (not provided).

Fix Anti tip strap (P) with washer (O) and Screw (Q) to wall by screwdriver (not provided).

- Make sure it is firmly attached and make sure it is snug fit

- Seek advice from a qualified trade person on how to attach this safety strap to your specific wall.

DO NOT use any power tools as this may damage the frame and will invalidate any claim.

**9**

Please dispose of all packaging safely.

General Care & Maintenance

Wipe clean with a slightly damp cloth.
Avoid the use of all household cleaners and abrasives.

Periodically check all screw & fixings to ensure they are secure.
When moving your product, carefully lift into place. Never drag or push the pieces across the floor as this will cause damage to the joints and could result in failure to the product that will invalidate the warranty.

For more information on cleaning and product care visit:
<https://www.happybeds.co.uk/help-and-advice>

Notes

We've tried to make this product as easy to assemble as possible. In the unlikely event that you have problems putting it together or have damaged or missing pieces, please contact us by visiting:

<https://www.happybeds.co.uk/customer-service>



www.happybeds.co.uk

