



Assembly Instructions

HIGHGATE Wooden 1 Drawer Lamp Table



Important before assembly:

Read these instructions carefully before assembling or using the product.

Please check the contents of the boxes before attempting to assemble this product. The instructions will have a checklist of parts and fittings.

It would be sensible to lay a rug or a carpet on the floor where you intend to assemble the product, to avoid scratches and damaging the product or the floor.

Assemble the product as close to its intended final location/room as possible.

Do NOT use any power tools as this may damage the frame.

Health & Safety:

This product or some parts of this product will be heavy. Please use an assistant when lifting.

Please keep small parts out of reach of children.

Always use on a level, even surface.

DO NOT jump on the product or any of its parts.

DO NOT use this product if any parts are missing, damaged or worn.

DO NOT use this product unless all fixings are secured.

Please keep these instructions for future reference.

ASSEMBLY INSTRUCTIONS HIGHGATE 1 DRAWER LAMP TABLE

IMPORTANT: READ THESE INSTRUCTIONS CAREFULLY BEFORE ASSEMBLING OR USING YOUR HIGHGATE 1 DRAWER LAMP TABLE.

PLEASE KEEP THESE INSTRUCTIONS FOR FUTURE REFERENCE.

HEALTH & SAFETY:

DO NOT use this item if any parts are missing, damaged or worn.

DO NOT use this item unless all fixings are secured.

Please keep small parts out of reach of children.

Always use on a level, even surface.

It is recommended that two people handle and assemble the item.

Birlea advise you use the wall straps provided to further enhance the safety of this product.

CARE & MAINTENANCE:

Assemble in the room of use.

To avoid damages assemble the item on a soft, clean surface

Periodically check all screws & fixings to ensure they are secure.

DO NOT push the item as this will damage the base.

Always lift the item with two people to reposition.

Keep any sharp objects away from the item.

This product is manufactured in pine which is a wood with natural characteristics including knots, grains, clusters or indentations.

On unpacking the item you may notice an odour due to production processes but this will disappear after a period of time.

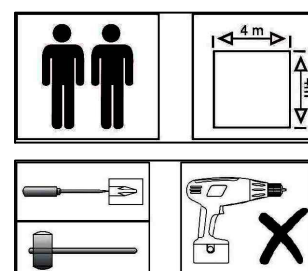
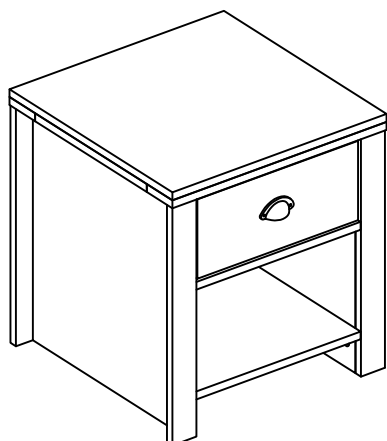
DO NOT place the item next to a radiator or direct sunlight - this item is susceptible to temperature change.

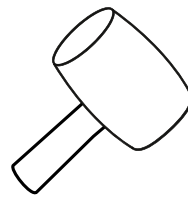
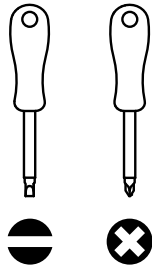
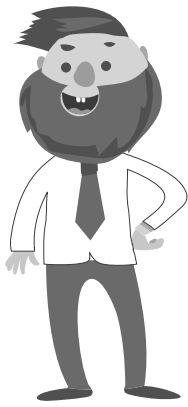
It is recommended an even room temperature be maintained with no sudden fluctuations.

DO NOT place hot or cold items directly onto the surface of the item as marking will occur

For general cleaning use a duster or damp cloth (almost dry) not wet - do not use soap and water, detergents, aerosol sprays or any polish as use of these materials would invalidate any claims.

DO NOT place the item onto wet or damp flooring as staining may occur to the floor.

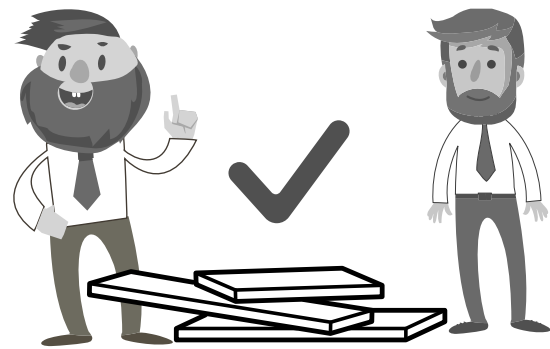
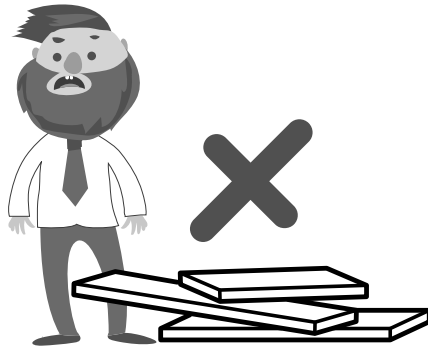




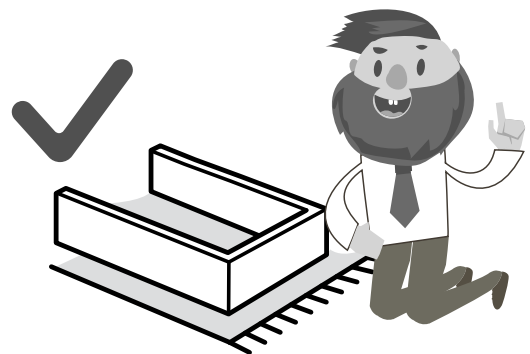
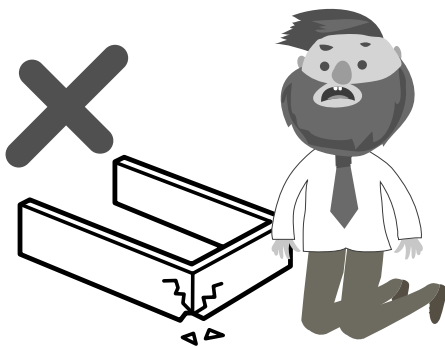
(Not metal)

These tools are not necessary, but may help to assemble certain parts of the product.

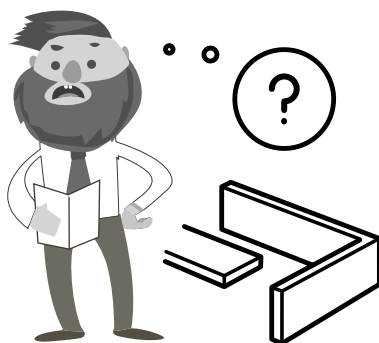
Do NOT use any power tools as this may damage the frame.



This product or some parts of this product will be heavy. Please use an assistant when lifting.

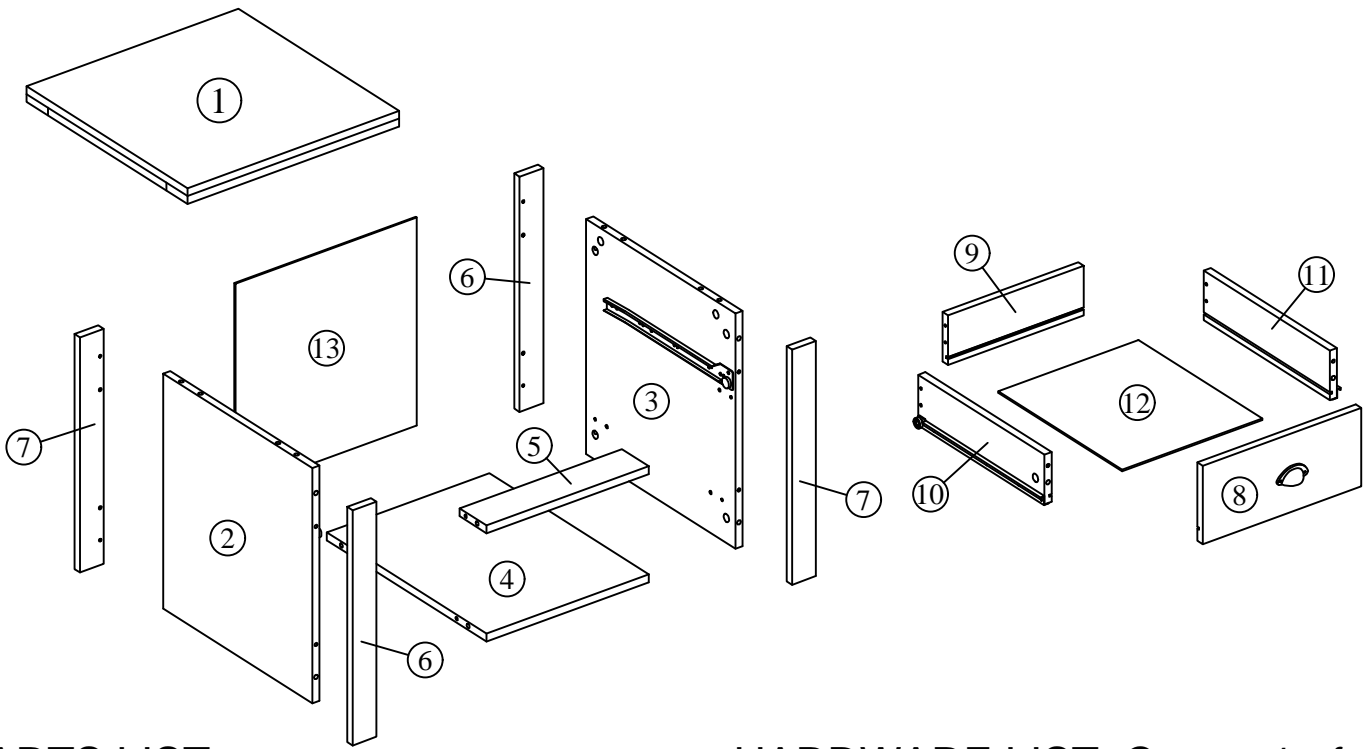


Never drag or push the pieces across a hard or stone floor as this will cause damage to the joints. Use a carpet or a rug for extra care.



If you have problems assembling or have damaged or missing pieces, please contact us by visiting:

<https://www.happybeds.co.uk/customer-service>










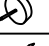



PARTS LIST

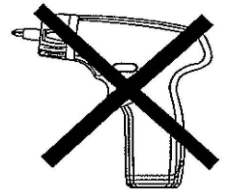
Carton 1 of 1:

Part	Description	Qty
1	Top Panel	1
2	Left Panel	1
3	Right Panel	1
4	Bottom Panel	1
5	Attach Rail	1
6	Left Front & Right Back Post Panel	2
7	Left Back & Right Front Post Panel	2
8	Drawer Front Panel	1
9	Drawer Back Panel	1
10	Drawer Left Panel	1
11	Drawer Right Panel	1
12	Drawer Bottom Panel	1
13	Back Panel	1

HARDWARE LIST: Carton 1 of 1







Part	Description	Qty
A	CAM NUT 15mm 	20
B	CAM BOLT 	20
C	WOOD DOWEL M6 x 25mm 	20
D	CSK SCREW M4 x 38mm 	4
E	CSK SCREW M3.5 x 12mm 	12
F	PAN HEAD SCREW M3.5 x 12mm 	2
G	TXM MOON HANDLE 	1
H	METAL RUNNER TRUCK 14" 	1
I	METAL RUNNER 14" 	1
J	PVC NAIL 	4
K	NAIL 	12

** You will need a screwdriver and a small mallet (NOT provided)



** WARNING: THE USE OF POWER TOOLS TO ASSEMBLE THIS PRODUCT WILL INVALIDATE ANY CLAIM AND MAY DAMAGE THIS PRODUCT MAKING IT UNSAFE.

1

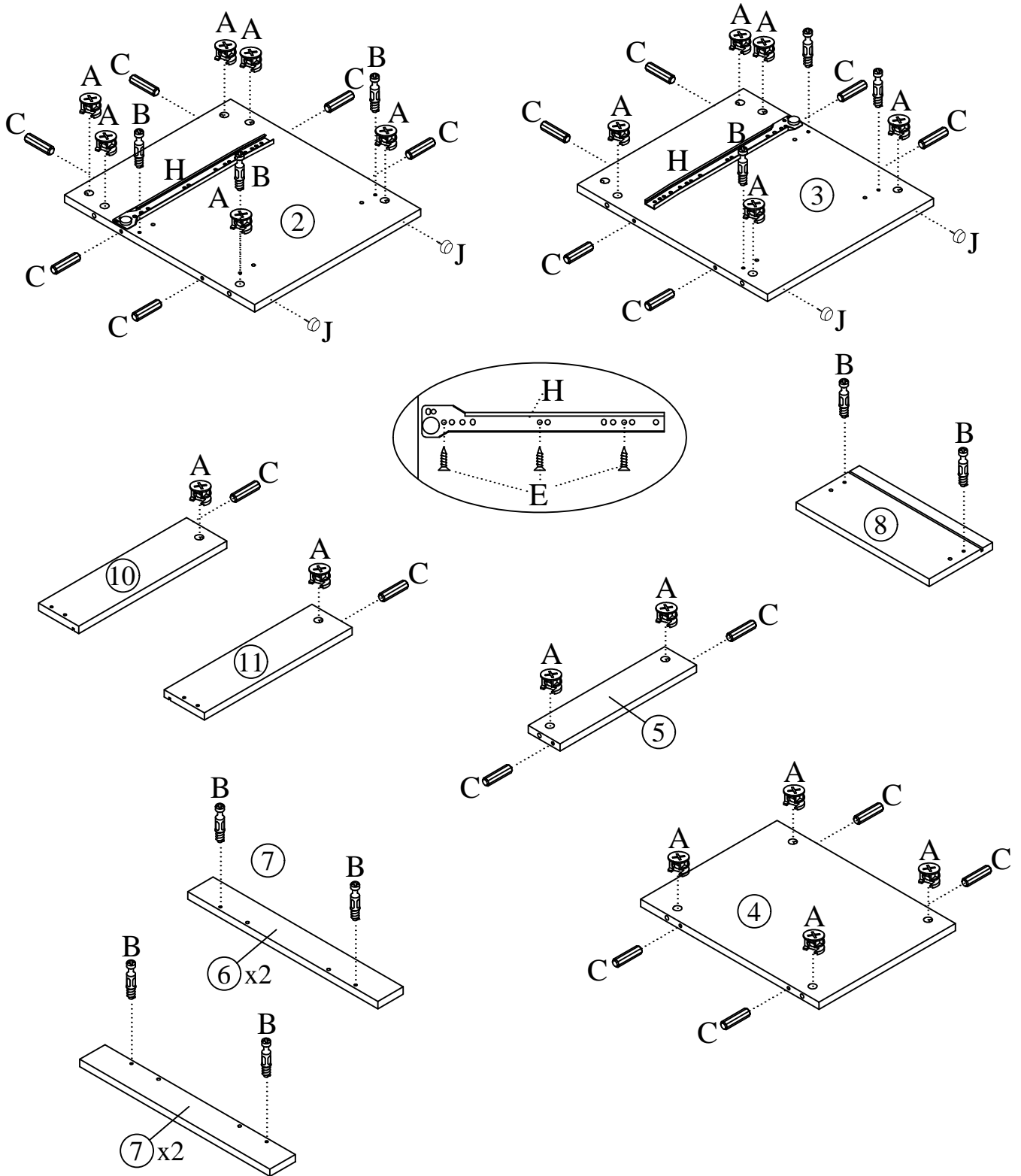
A		20
B		20
C		20
E		6
H		1
J		4

Insert hardware part A & part B using a screwdriver

(not provided).

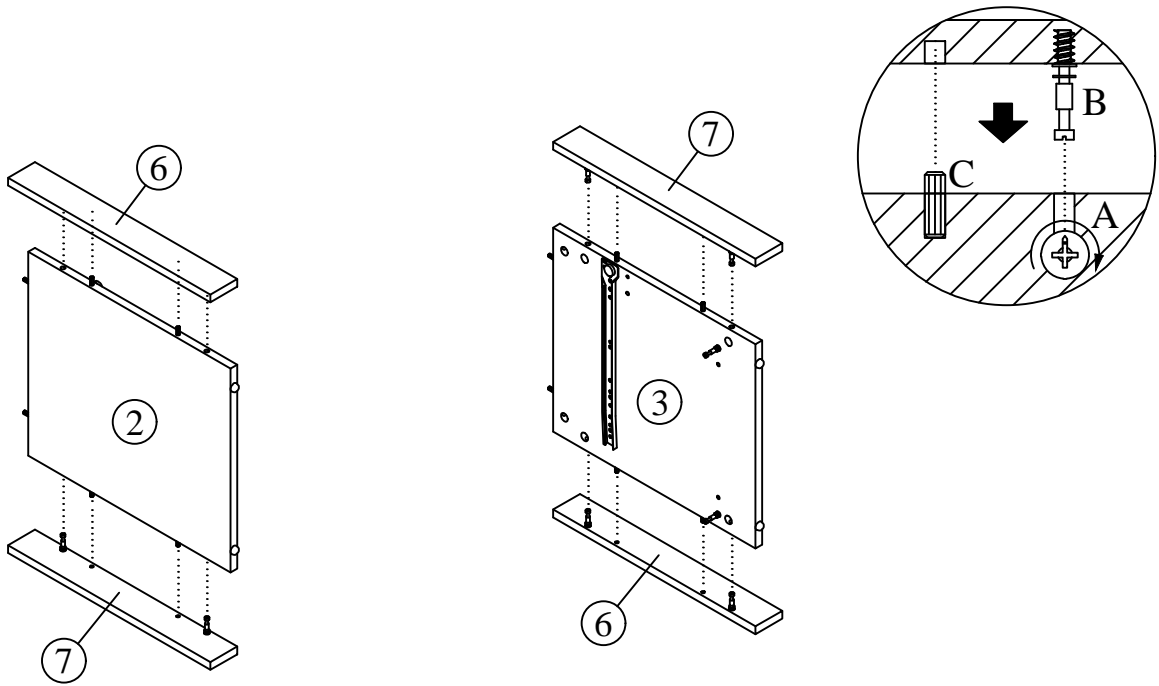
Insert hardware part C using a small mallet (not provided). Insert hardware part J using a small mallet (not provided). Attach hardware H with screw E using screwdriver (not provided).

DO NOT use any power tools as this may damage the frame and will invalidate any claim.



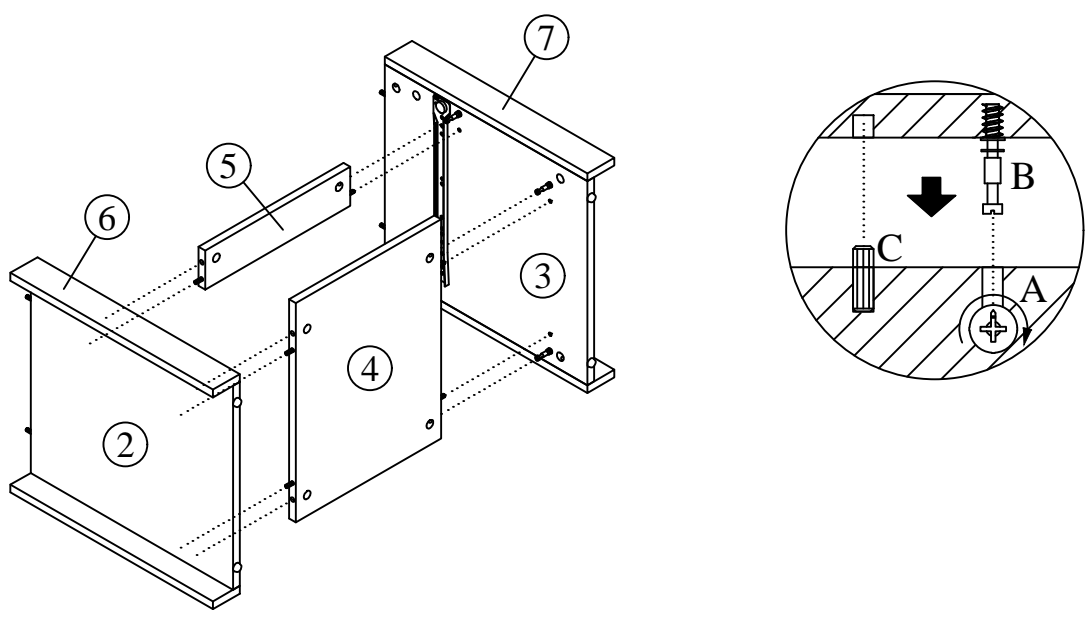
2

Attach the Left Front & Right Back Post Panel (6) and Left Back & Right Front Post Panel (7) to Left Panel (2) and Right Panel (3) by screwdriver (not provided). **DO NOT** use any power tools as this may damage the frame and will invalidate any claim.



3

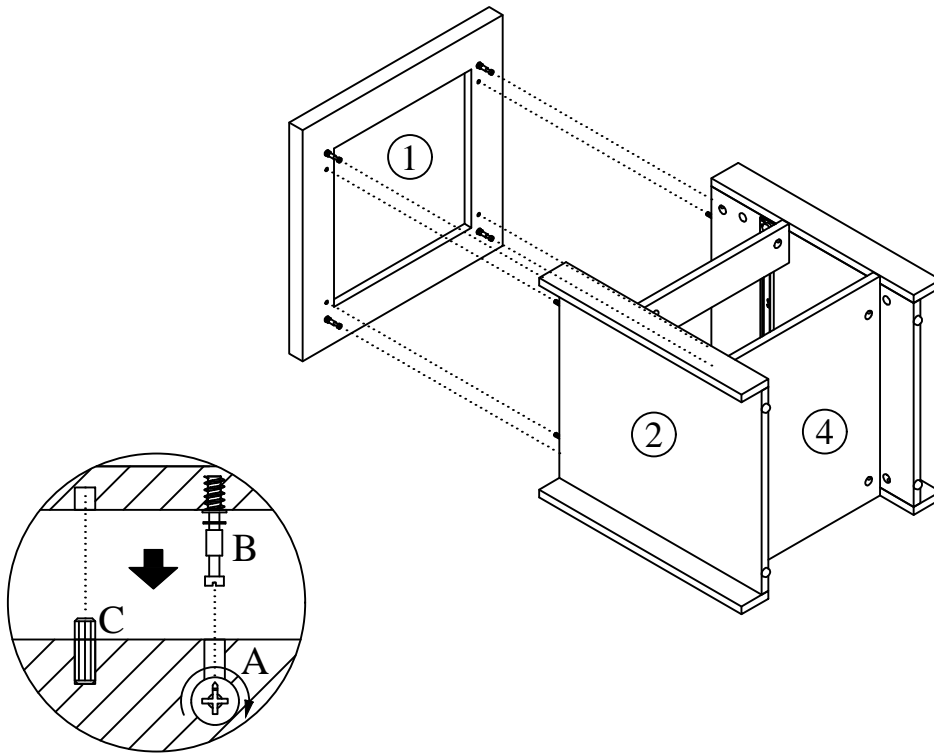
Attach the Bottom Panel (4) and Attach Panel (5) To Left Panel (2) and Right Panel (3) by screwdriver (not provided). **DO NOT** use any power tools as this may damage the frame and will invalidate any claim.



4

Attach the Top Panel (1) To Left Panel (2) and Right Panel (3) by screwdriver (not provided).

DO NOT use any power tools as this may damage the frame and will invalidate any claim.

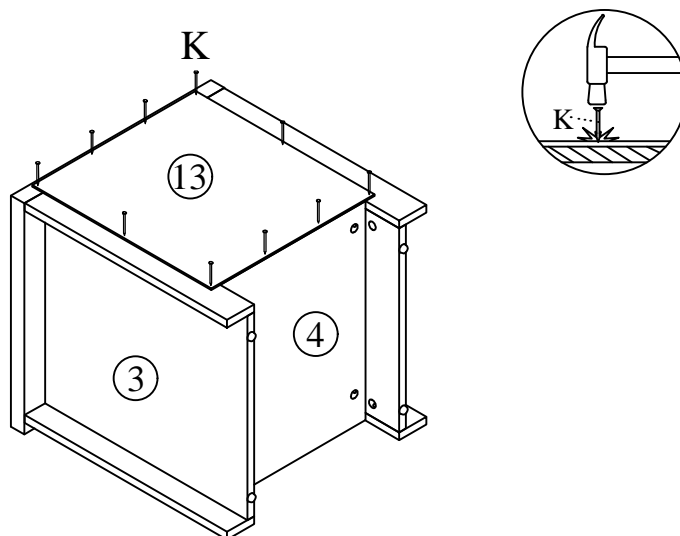


5




Attach the Back Panel (13) with Nail (K) by small mallet (not provided).

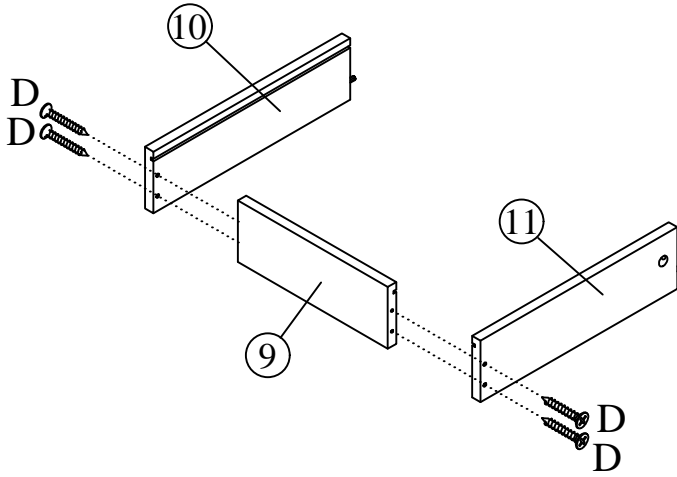
DO NOT use any power tools as this may damage the frame and will invalidate any claim.





6

D		4
---	---	---

Attach the Drawer Left Panel (10) and Drawer Right Panel (11) to Drawer Back Panel (9) with screw (D) by screwdriver (not provided). DO NOT use any power tools as this may damage the frame and will invalidate any claim.

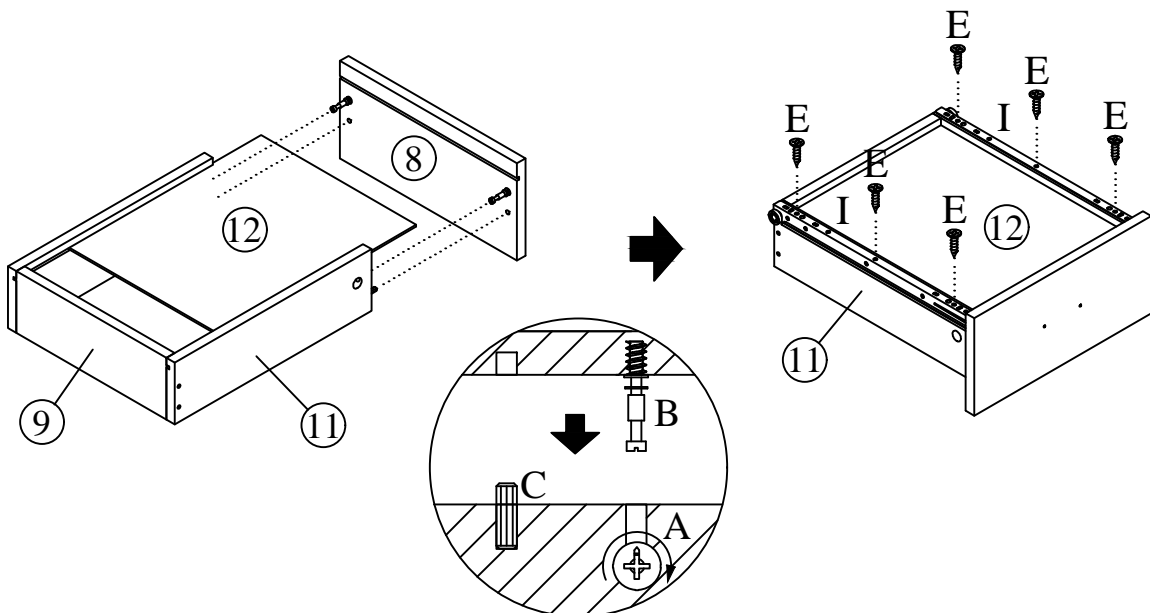


7



E		6
I		1

Insert Drawer Bottom Panel (12) as shown and fix Drawer Front Panel (8) by screwdriver (not provided). Fix hardware (I) onto the Drawer Left Panel (10) and Drawer Right Panel (11) using screw (E) by screwdriver (not provided).

DO NOT use any power tools as this may damage the frame and will invalidate any claim.

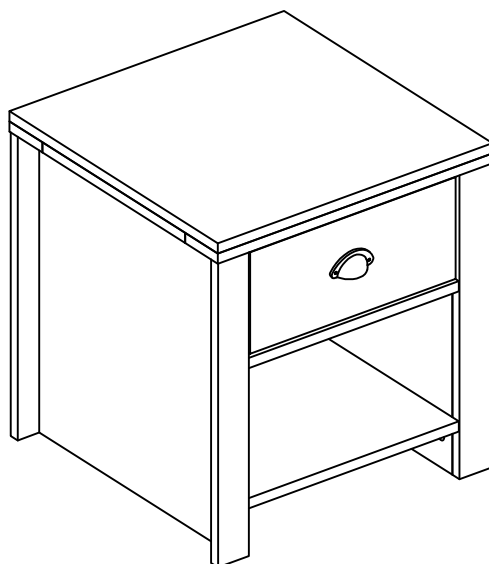
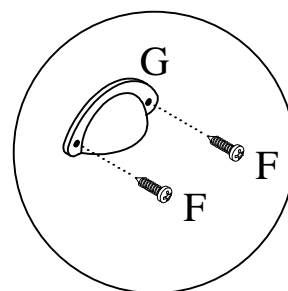
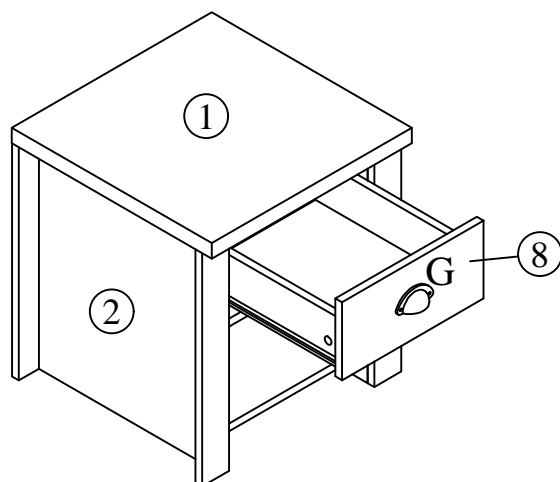


8

F		2
G		1

Fix Handle (G) using screw (F) onto Drawer Front Panel (8)
by screwdriver (not provided).

DO NOT use any power tools as this may damage the frame and will invalidate any claim.



. Additional Information:

- . For complete product information, images and dimension diagrams please visit the website www.birlea.com
- . If you have any issues with your item please contact the retailer directly you purchased it from who will be able to resolve any issues with Birlea.
- . Why don't you send us photos of your assembled furniture to info@birlea.com to be shared in our #birleahome feature on Instagram.

Please dispose of all packaging safely.

General Care & Maintenance

Wipe clean with a slightly damp cloth.
Avoid the use of all household cleaners and abrasives.

Periodically check all screw & fixings to ensure they are secure.
When moving your product, carefully lift into place. Never drag or push the pieces across the floor as this will cause damage to the joints and could result in failure to the product that will invalidate the warranty.

For more information on cleaning and product care visit:
<https://www.happybeds.co.uk/help-and-advice>

Notes

We've tried to make this product as easy to assemble as possible. In the unlikely event that you have problems putting it together or have damaged or missing pieces, please contact us by visiting:

<https://www.happybeds.co.uk/customer-service>



www.happybeds.co.uk

