



Assembly Instructions

Home 3ft Treehouse Bed



Important before assembly:

Read these instructions carefully before assembling or using the product.

Please check the contents of the boxes before attempting to assemble this product. The instructions will have a checklist of parts and fittings.

It would be sensible to lay a rug or a carpet on the floor where you intend to assemble the product, to avoid scratches and damaging the product or the floor.

Assemble the product as close to its intended final location/room as possible.

Do NOT use any power tools as this may damage the frame.

Health & Safety:

This product or some parts of this product will be heavy. Please use an assistant when lifting.

Please keep small parts out of reach of children.

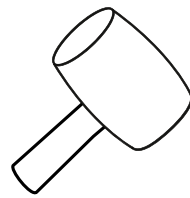
Always use on a level, even surface.

DO NOT jump on the product or any of its parts.

DO NOT use this product if any parts are missing, damaged or worn.

DO NOT use this product unless all fixings are secured.

Please keep these instructions for future reference.



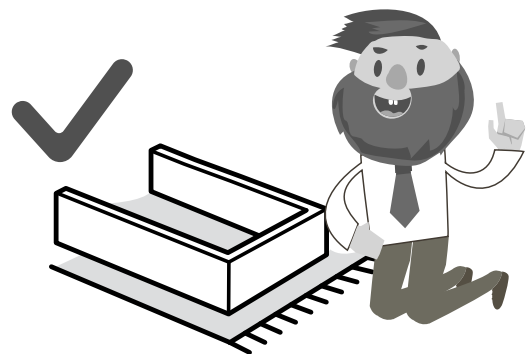
(Not metal)

These tools are not necessary, but may help to assemble certain parts of the product.

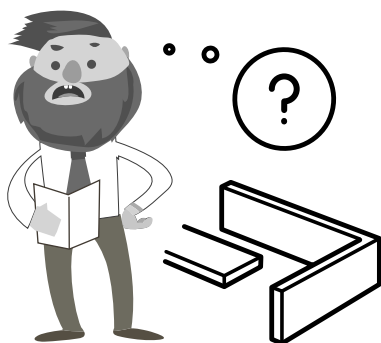
Do NOT use any power tools as this may damage the frame.



This product or some parts of this product will be heavy. Please use an assistant when lifting.



Never drag or push the pieces across a hard or stone floor as this will cause damage to the joints. Use a carpet or a rug for extra care.



If you have problems assembling or have damaged or missing pieces, please contact us by visiting:

<https://www.happybeds.co.uk/customer-service>

ASSEMBLY INSTRUCTIONS 90CM HOME BED

IMPORTANT: READ THESE INSTRUCTIONS CAREFULLY BEFORE ASSEMBLING OR USING YOUR BED FRAME.

PLEASE KEEP THESE INSTRUCTIONS FOR FUTURE REFERENCE.

HEALTH & SAFETY:

DO NOT jump on this bed frame.

DO NOT use this bed frame if any parts are missing, damaged or worn.

DO NOT use this bed frame unless all fixings are secured.

Please keep small parts out of reach of children.

Always use on a level, even surface.

WARNING: If this bed is placed on a non-carpeted floor you must place some protection under all legs to stop the bed frame from moving. If this is not adhered to there is no guarantee if the bed frame collapses.

CARE & MAINTENANCE:

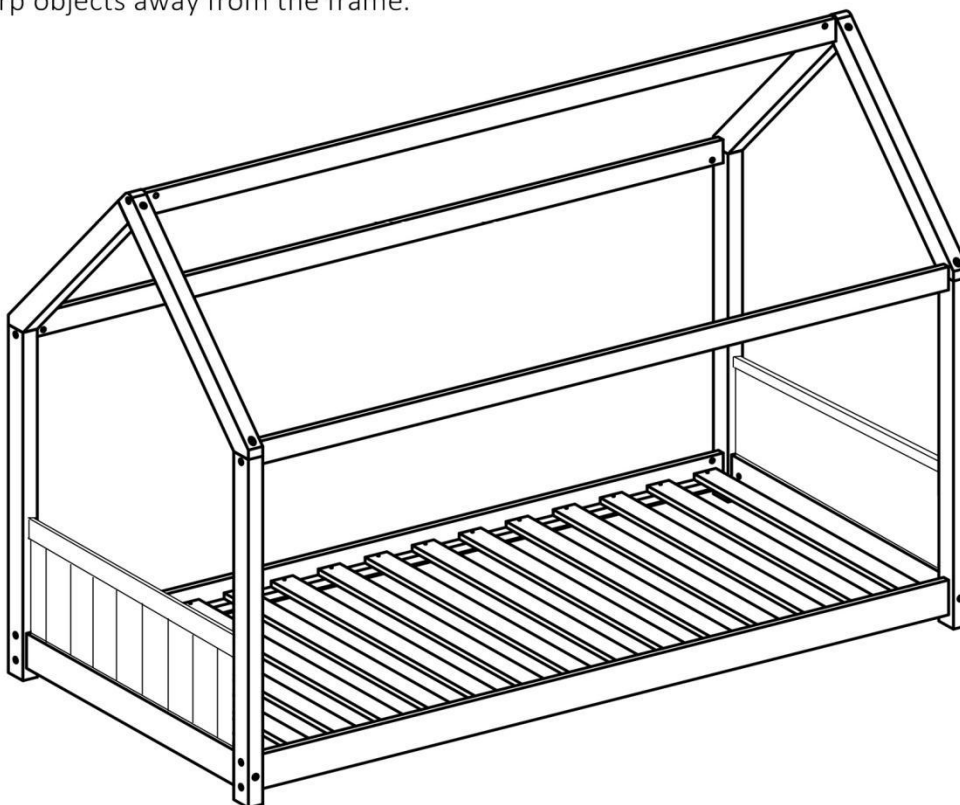
Assemble in the room of use.

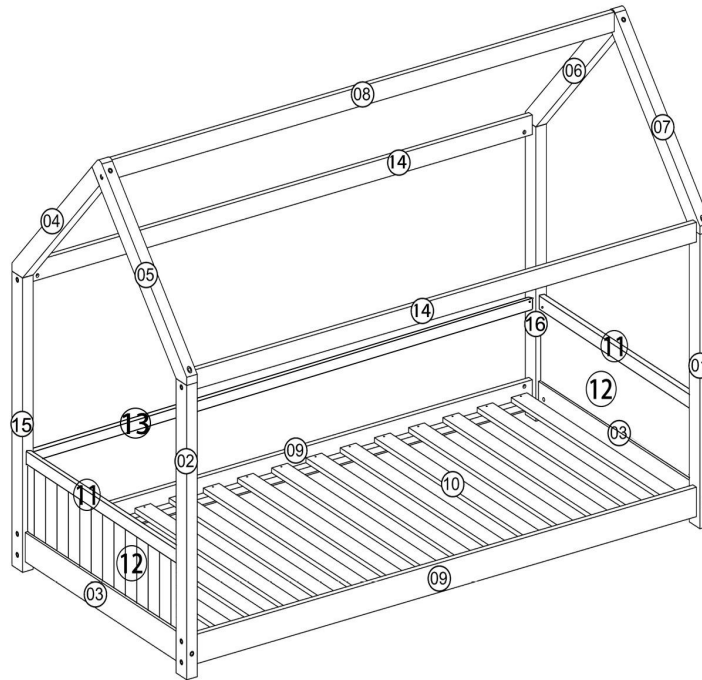
Periodically check all screws & fixings to ensure they are secure.

DO NOT push the bed frame as this will damage the legs.

Always lift the bed with two people to reposition.

Keep any sharp objects away from the frame.



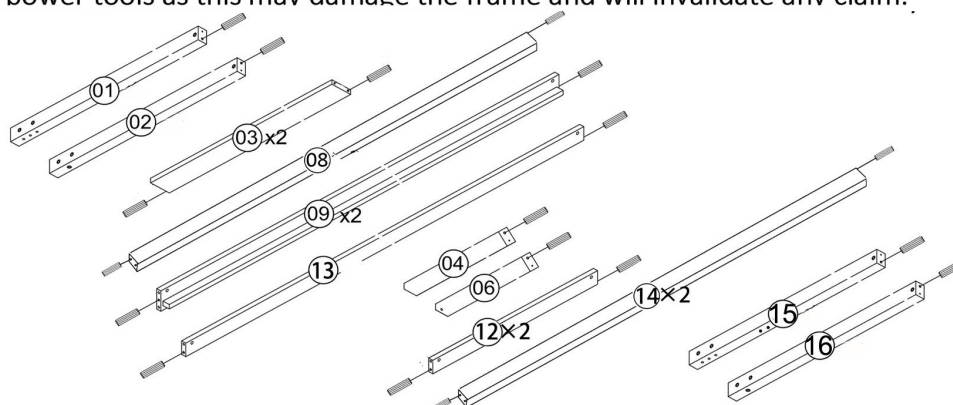


Parts List				Hardware List (found in box 1)		
Part	Description	Box	Qty	Part	Description	Qty
1	Front right corner panels	1	1	A	M6x100mm 	18
2	Front left corner panels	1	1	B	Ø6x110mm 	12
3	Bottom head rail	1	2	C	M6 	18
4	Back left roof panel	1	1	D	Ø8x30mm 	26
5	Front left roof panel	1	1	E	Ø4x30mm 	28
6	Back right roof panel	1	1	F		01
7	Front right roof panel	1	1			
8	Top cross bar	1	3			
9	Side rails	1	2			
10	Slats	1	14			
11	Top head rail	1	2			
12	Head Panel	1	2			
13	Support rail	1	1			
14	Side cross bars	1	2			
15	Back left coner panels	1	1			
16	Back right coner panels	1	1			

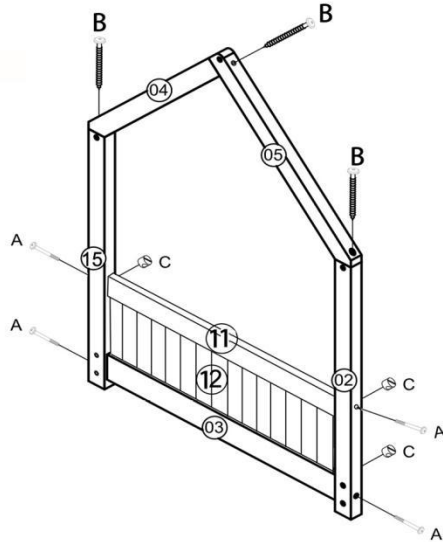
** You will need a screwdriver and a small mallet (not provided).

Step 1: Insert the dowels (D) to 1 x Front right corner panels (1), 1 x Front left corner panels (2), 2 x Bottom head rail (3), 1 x Back left roof panel (4), 1 x Back right roof panel (6), 1 x Top cross bar (8), 2 x Side rails (9), 2 x Head Panel (12), 1 x Support rail (13), 1 x Side cross bars (14), 1 x Back left coner panels (15) and 1 x Back right coner panels (16).

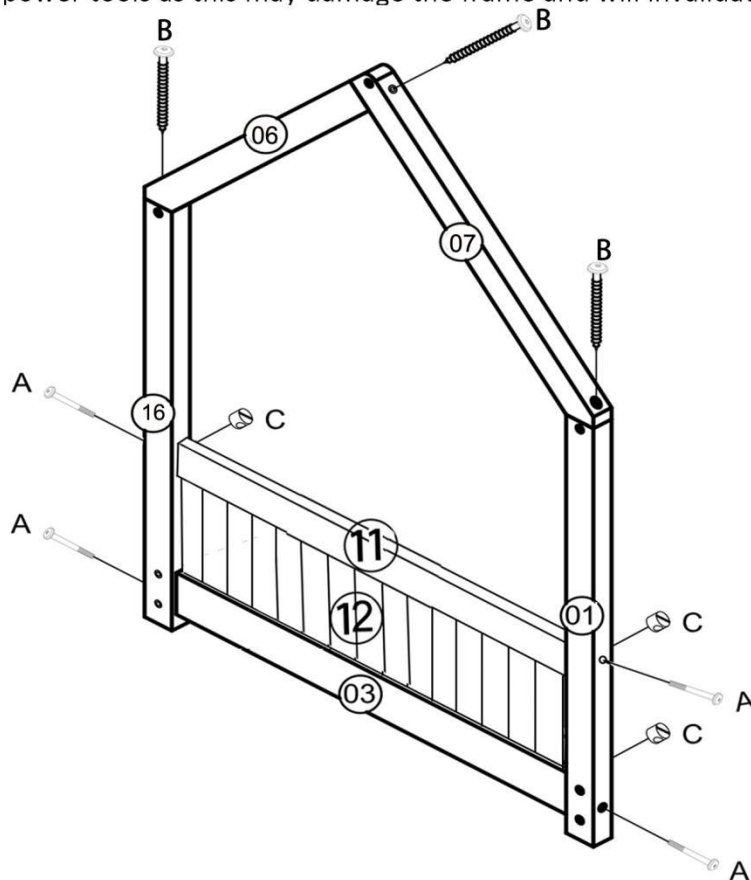
DO NOT use any power tools as this may damage the frame and will invalidate any claim.



Step 2: Attach the 1 x back left corner panels(15) and the 1 x front left corner panels (2) to the 1 x Bottom head rail (3), 1 x Top head rail (11) and 1 x Head Panel(12) using hardware parts (A) and (C). Then attach the 1 x Back left roof panel (4) and 1 x front left roof panel (5) using hardware part (B).
DO NOT use any power tools as this may damage the frame and will invalidate any claim.

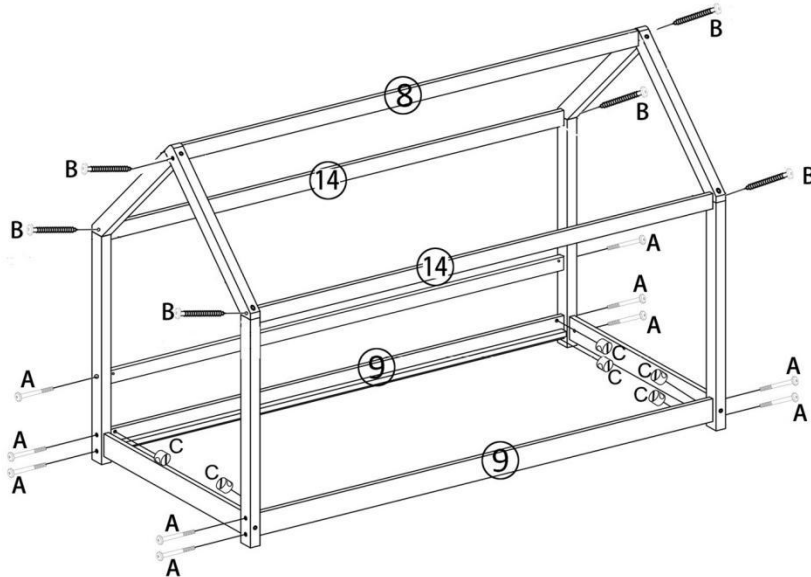


Step 3: Attach the 1 x Front right corner panels (1) and the 1 x Back right corner panels(16) to the 1 x Bottom head rail (3), 1 x Top head rail (11) and 1 x Head Panel (12) using hardware parts (A) and (C). Then attach the 1 x Back right roof panel (6) and 1 x front right roof panel (7) using hardware part (B).
DO NOT use any power tools as this may damage the frame and will invalidate any claim.



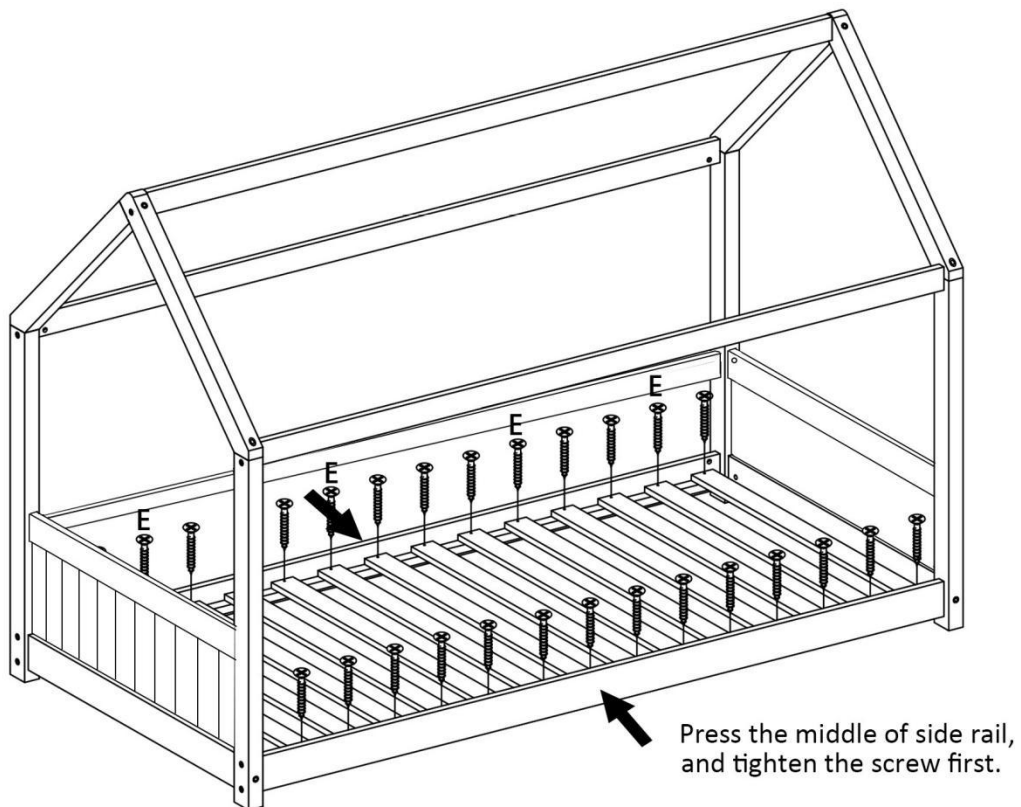
Step 4: Attach the 2 x side rails (9) to the 2 x Front right & back left corner panels (1) and 2 x Back right & front left corner panels (2) using hardware parts (A) and (C). Secondly attach the 1 x Support rail (13) to the 1 x back left corner panels (1) and the 1 x Back right corner panels (2) using hardware parts (A) and (C). Then attach the 1 x Top cross bar (8) and the 2 x side cross bars (14) to the 1 x Back left roof panel (4), 1 x front left roof panel (5), 1 x Back right roof panel (6) and 1 x front right roof panel (7), using hardware parts (B).

DO NOT use any power tools as this may damage the frame and will be invalidate any claim.



Step 5: Screw in the 14 x slats (10) to the 2 x side rails (9) using hardware parts (E).

DO NOT use any power tools as this may damage the frame and will invalidate any claim.



Please dispose of all packaging safely.

General Care & Maintenance

Wipe clean with a slightly damp cloth.
Avoid the use of all household cleaners and abrasives.

Periodically check all screw & fixings to ensure they are secure.
When moving your product, carefully lift into place. Never drag or push the pieces across the floor as this will cause damage to the joints and could result in failure to the product that will invalidate the warranty.

For more information on cleaning and product care visit:
<https://www.happybeds.co.uk/help-and-advice>

Notes

We've tried to make this product as easy to assemble as possible. In the unlikely event that you have problems putting it together or have damaged or missing pieces, please contact us by visiting:

<https://www.happybeds.co.uk/customer-service>



www.happybeds.co.uk

