

## Assembly Instructions

### Important before assembly:

Read these instructions carefully before assembling or using the product.

Please check the contents of the boxes before attempting to assemble this product. The instructions will have a checklist of parts and fittings.

Assemble the product as close to its intended final location/room as possible.

### Health & Safety:

This product or some parts of this product will be heavy. Please use an assistant when lifting.

Please keep small parts out of reach of children.

Always use on a level, even surface.

DO NOT jump on the product or any of its parts.

DO NOT use this product if any parts are missing, damaged or worn.

DO NOT use this product unless all fixings are secured.

**Further instructions are on the following pages.**

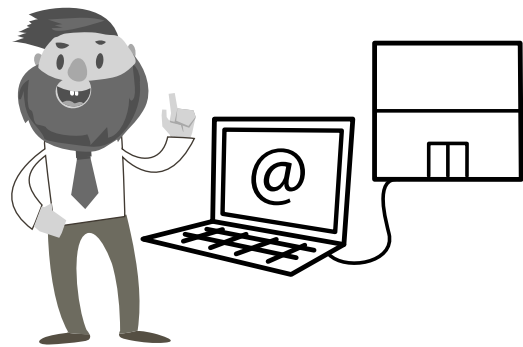
Please keep these instructions for future reference.



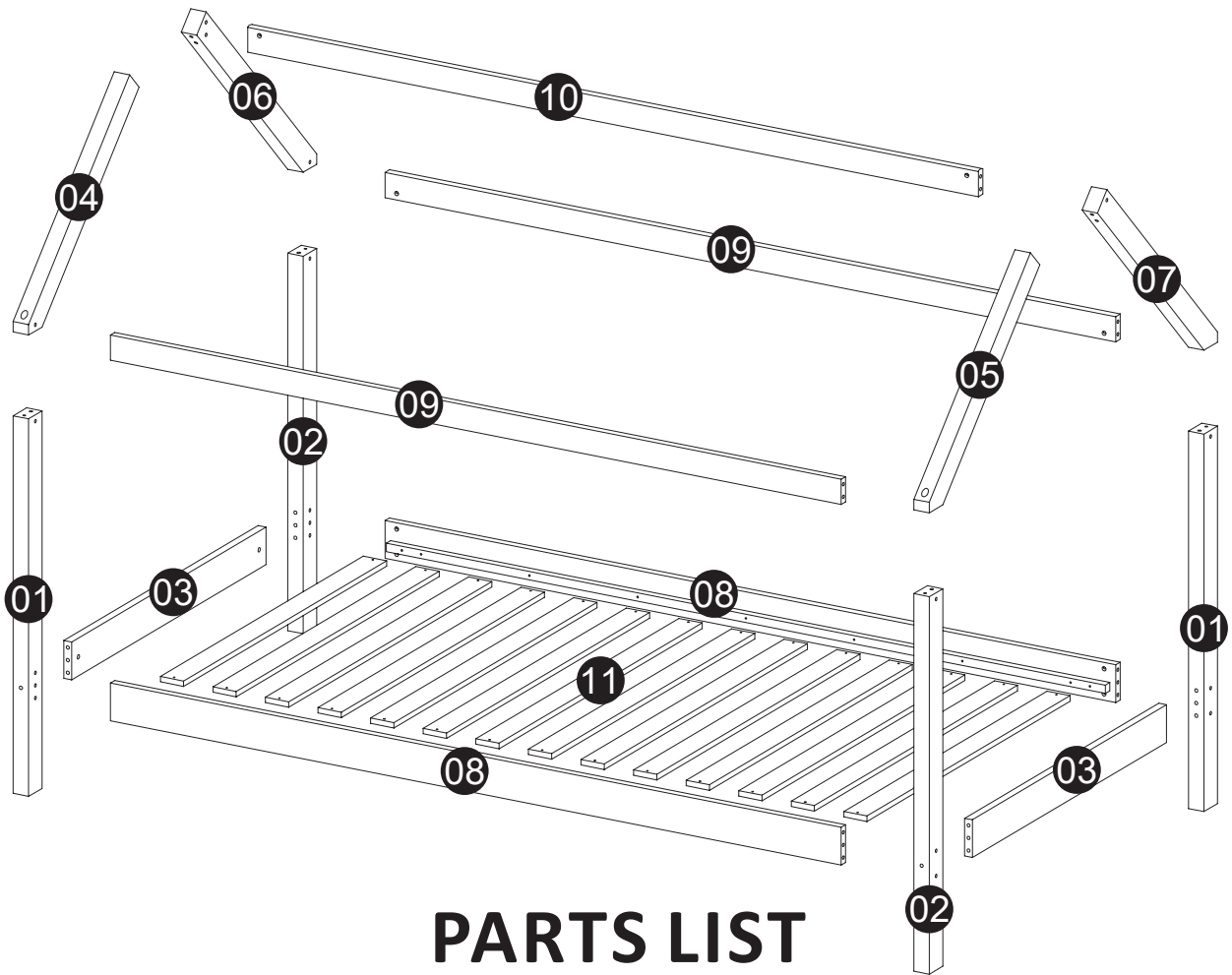
This product or some parts of this product will be heavy. Please use an assistant when lifting.



Never drag or push the pieces across a hard or stone floor as this will cause damage to the joints. Use a carpet or a rug for extra care.





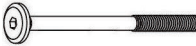

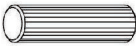



If you have problems assembling or have damaged or missing pieces, please contact our customer services (details at the back of these instructions)



## PARTS LIST

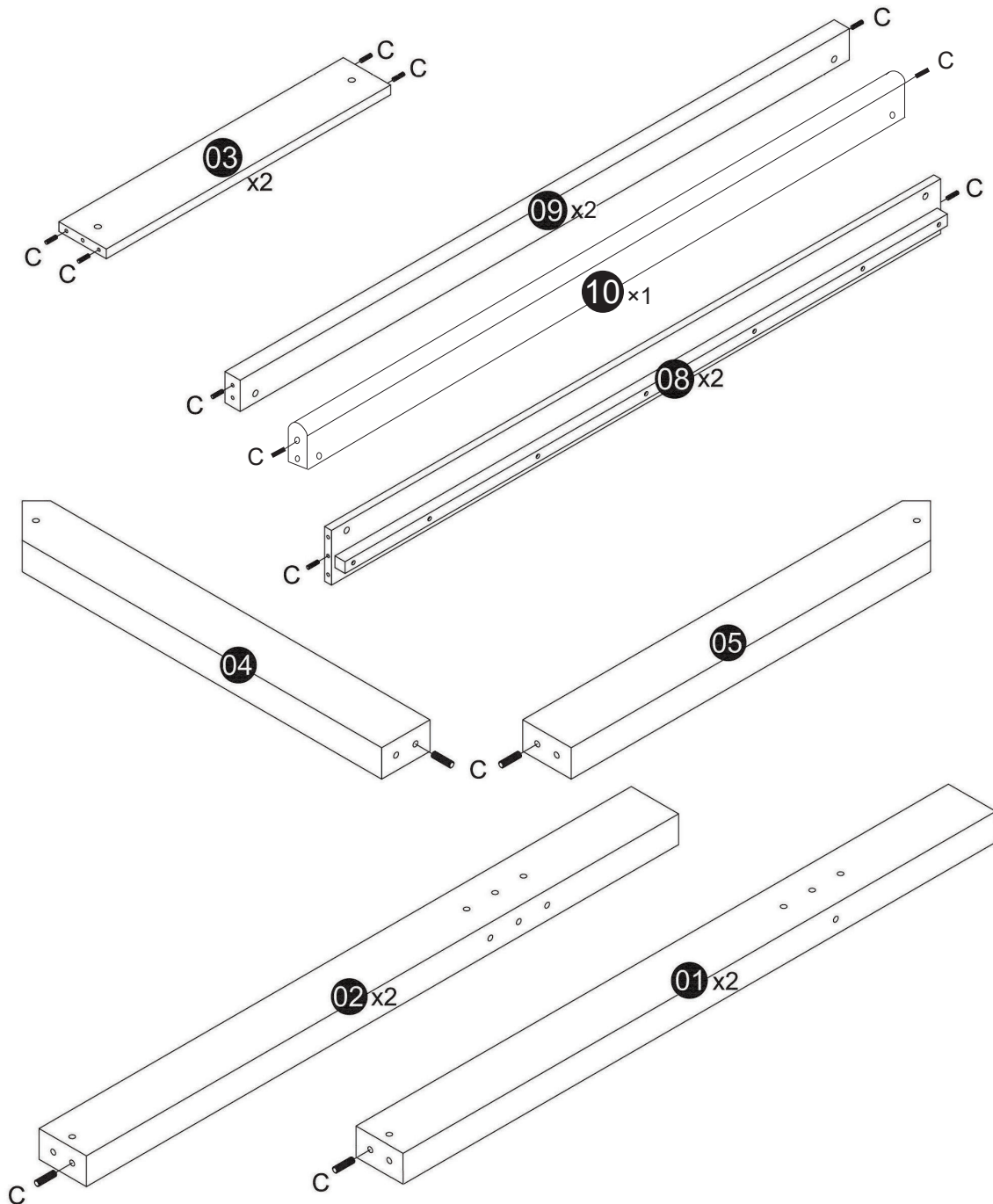
01	Left front & Right rear corner panels	2	06	Back left roof panel	1
02	Right front & Left rear corner panels	2	07	Back right roof panel	1
03	Support rails	2	08	Side rail	2
04	Front left roof panel	1	09	Cross bars	2
05	Front right roof panel	1	10	Cross bars	1
			11	Slats	14

## HARDWARE

A	 M6x80mm	14	E	 $\Phi$ 6x100mm	2
B	 M6x100mm	4	F	 $\Phi$ 6x60mm	4
C	 $\Phi$ 8x30mm	24	G	 $\Phi$ 4x30mm	28
D		18	H		1

# STEP 1

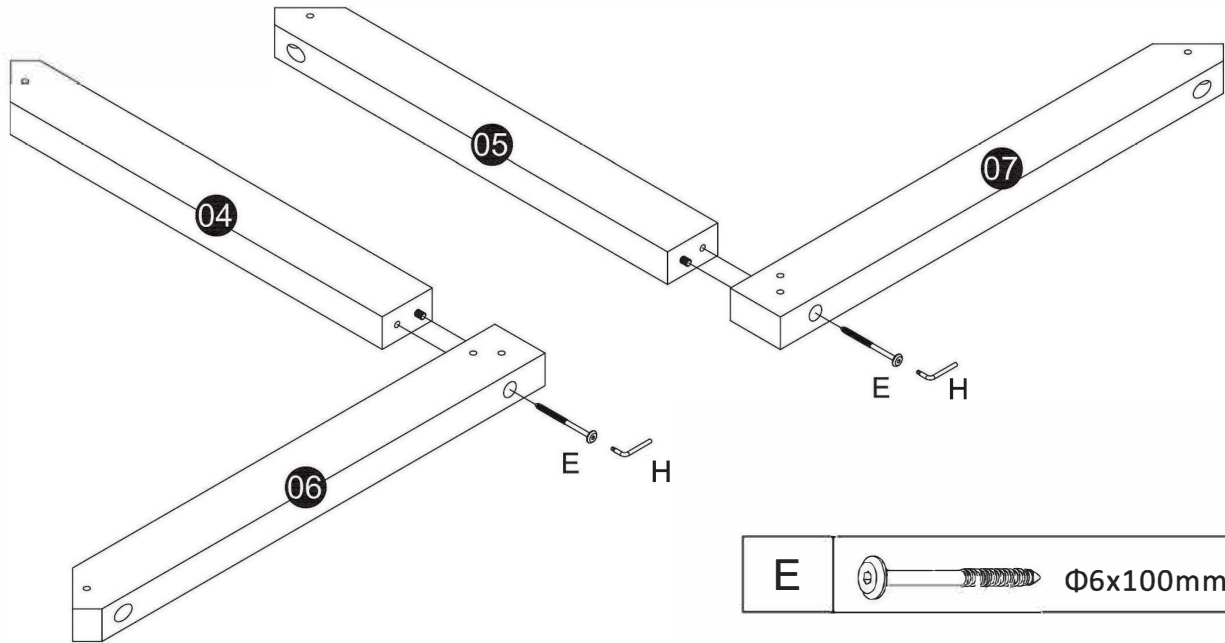
Insert hardware part (C) into the Left front & Right rear corner panels (1) the Right front & Left rear corner panels (2), support rails (3), Front left roof panel (4), Front right roof panel (5), Side rail (8) and Cross bars (9)(10).



C		Φ8x30mm	24
---	---	---------	----

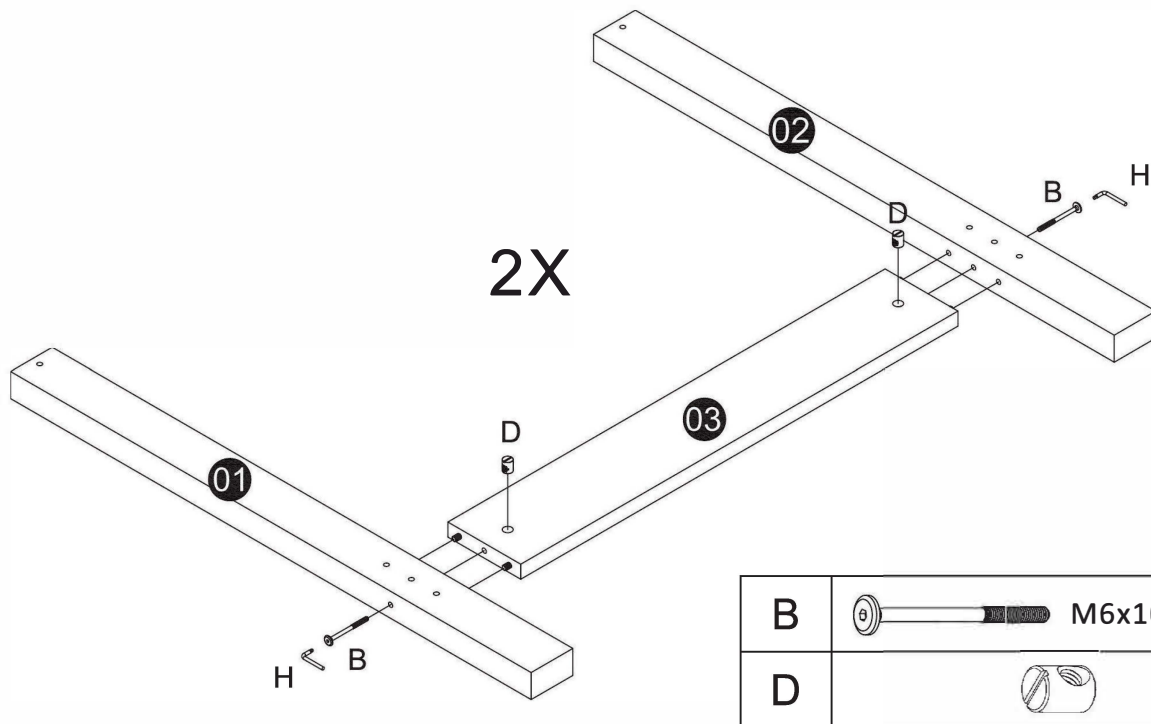
## STEP 2

Attach the Front left roof panel (4) and Back left roof panel (6) using hardware parts (E) and (H). then attach the Front right roof panel (5) and Back right roof panel (7) using hardware parts (E) and (H).



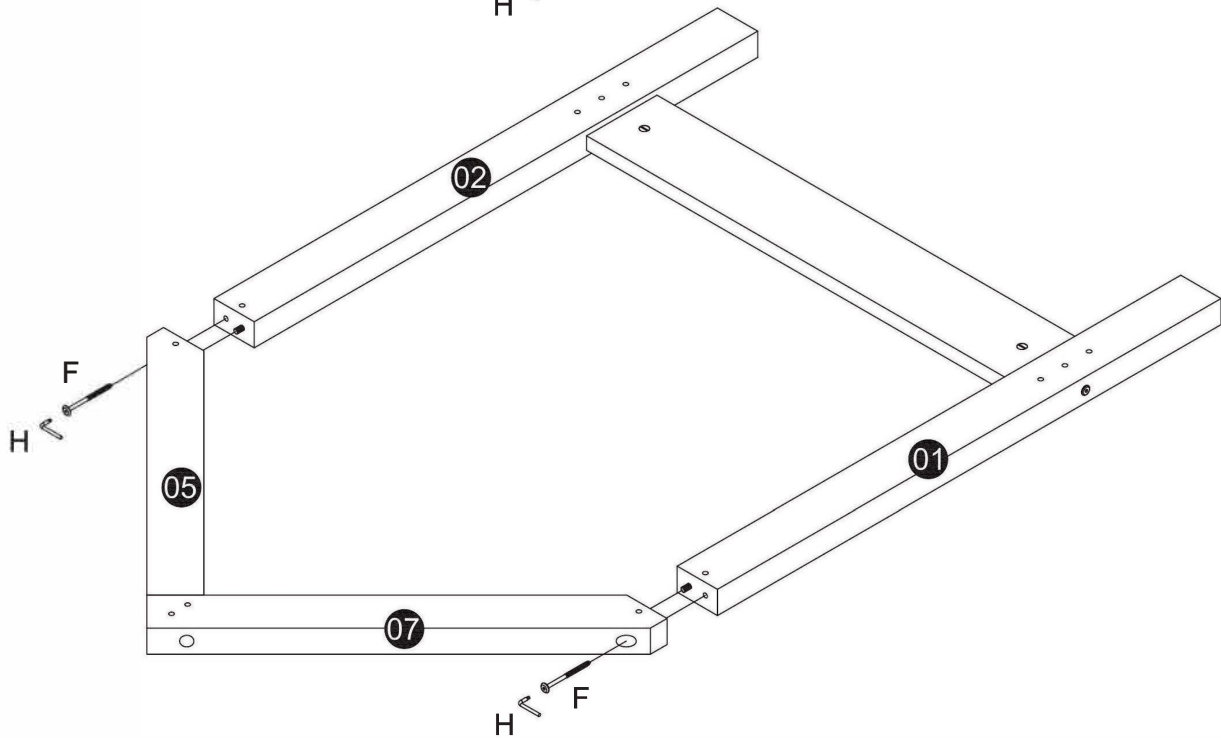
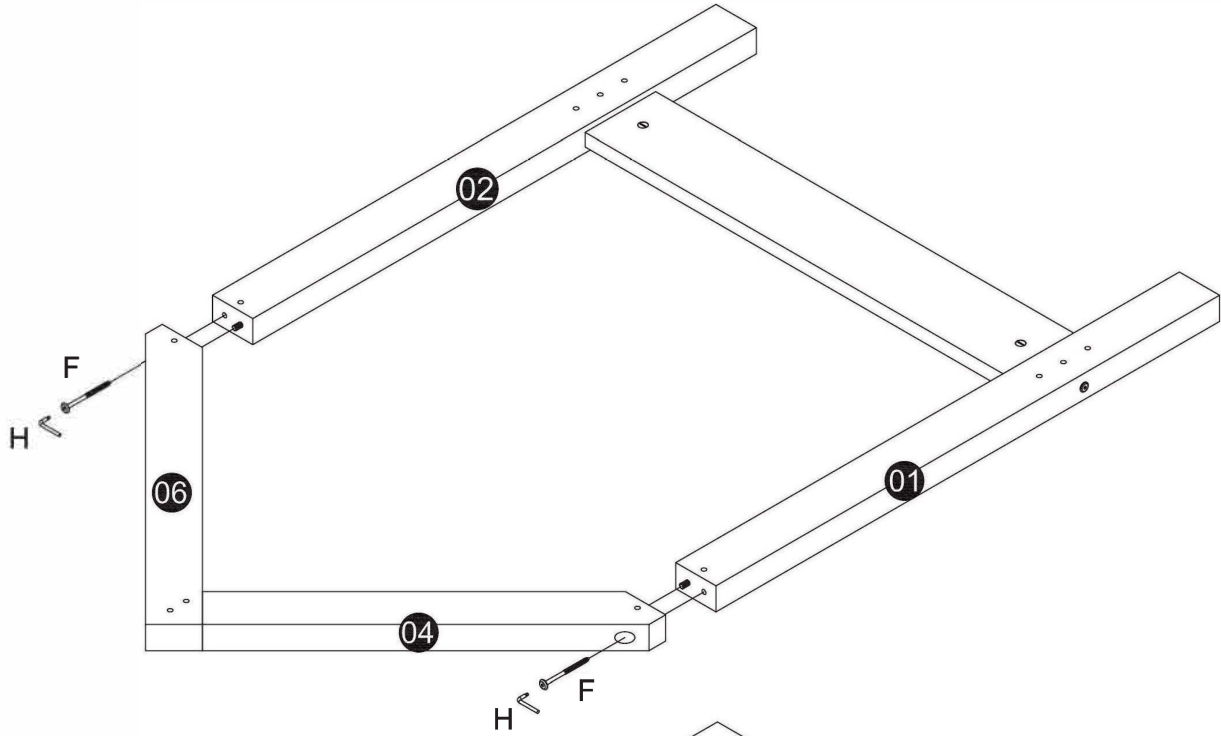
## STEP 3

Attach the Support rails (3) to the Left front & Right rear corner panels (1) and Right front & Left rear corner panels (2) using hardware parts (B), (D) and (H).



## STEP 4

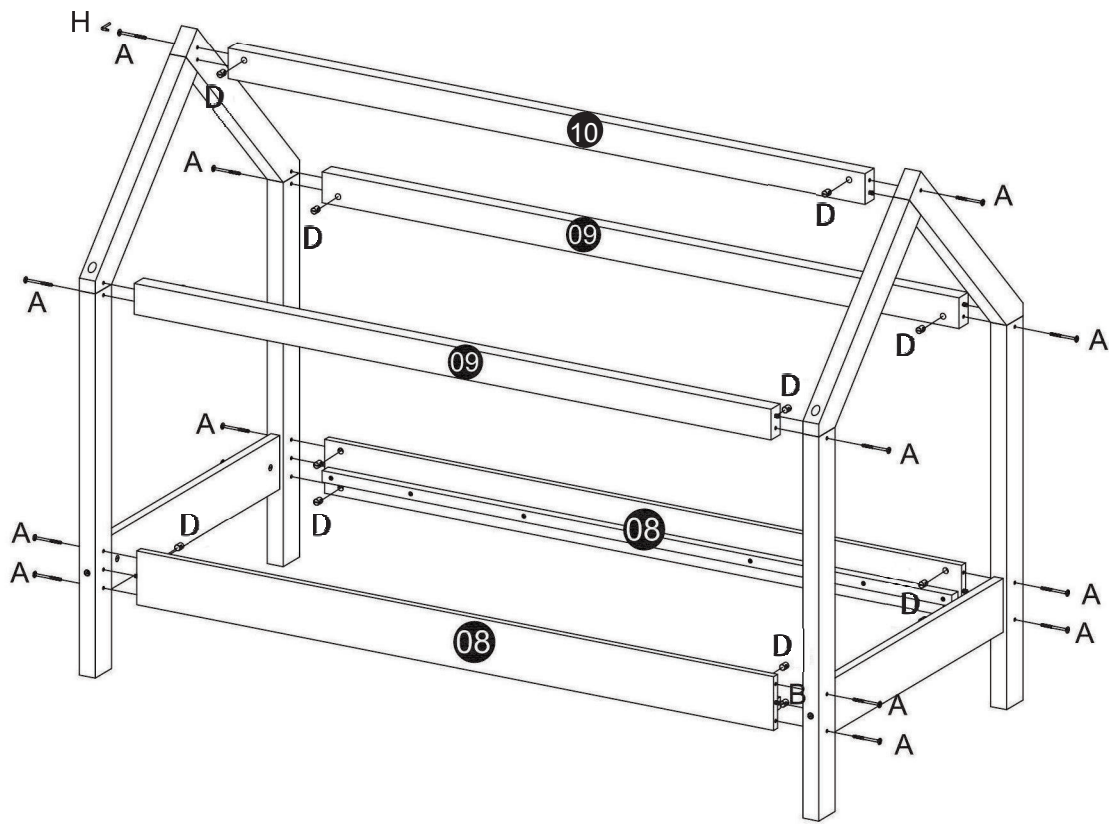
Attached the roof panels (4), (6), (5) and (7) to the corner panels (1) and (2) using hard-ware parts (F) and (H).





<b>F</b>		$\Phi 6 \times 60 \text{mm}$	<b>4</b>
----------	---	------------------------------	----------

## STEP 5

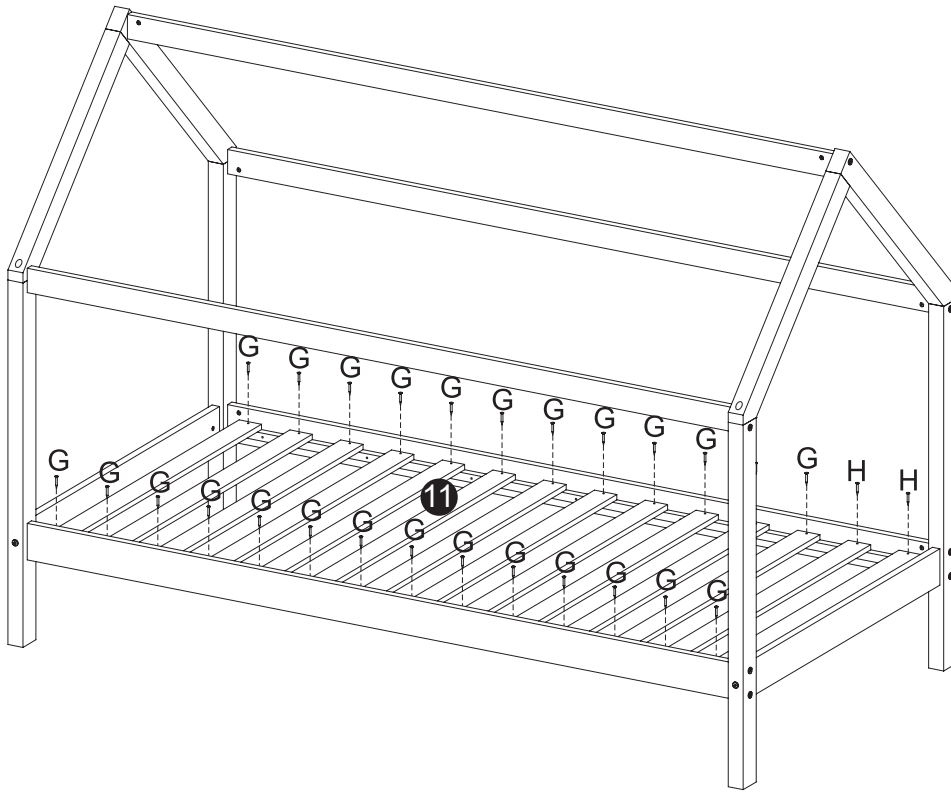
Attach the Side rails (8) and the Cross bars (9,10) to the assembled panels using hardware parts (A), (D) and (H).



A	 M6x80mm	14
D		14

## STEP 6

Attach the slats (11) by using hardware parts (G) and a screwdriver (not provided).



G		Φ4x30mm	28
---	---	---------	----



Please dispose of all packaging safely.

## General Care & Maintenance

Wipe clean with a slightly damp cloth.  
Avoid the use of all household cleaners and abrasives.

Periodically check all screw & fixings to ensure they are secure.

When moving your product, carefully lift into place. Never drag or push the product across the floor as this will cause damage to the joints. If the product is used on hard flooring, such as wood or laminated floor, you must place some protection under the legs to stop the product from moving. If this is not adhered to, it could result in failure to the product that will invalidate the warranty.

For more information on cleaning and product care visit:  
<https://www.happybeds.co.uk/help-and-advice>

## Notes

In the unlikely event that you have problems putting this product together or have damaged or missing parts, please contact us by visiting:  
<https://www.happybeds.co.uk/customer-service>