



Assembly Instructions

Houston Wooden 2 Drawer Bedside Table



Important before assembly:

Read these instructions carefully before assembling or using the product.

Please check the contents of the boxes before attempting to assemble this product. The instructions will have a checklist of parts and fittings.

It would be sensible to lay a rug or a carpet on the floor where you intend to assemble the product, to avoid scratches and damaging the product or the floor.

Assemble the product as close to its intended final location/room as possible.

Do NOT use any power tools as this may damage the frame.

Health & Safety:

This product or some parts of this product will be heavy. Please use an assistant when lifting.

Please keep small parts out of reach of children.

Always use on a level, even surface.

DO NOT jump on the product or any of its parts.

DO NOT use this product if any parts are missing, damaged or worn.

DO NOT use this product unless all fixings are secured.

Please keep these instructions for future reference.



(Not metal)

These tools are not necessary, but may help to assemble certain parts of the product.

Do NOT use any power tools as this may damage the frame.



This product or some parts of this product will be heavy. Please use an assistant when lifting.



Never drag or push the pieces across a hard or stone floor as this will cause damage to the joints. Use a carpet or a rug for extra care.



If you have problems assembling or have damaged or missing pieces, please contact us by visiting:

<https://www.happybeds.co.uk/customer-service>

ASSEMBLY INSTRUCTIONS **HOUSTON 2 DRAWER BEDSIDE**

IMPORTANT : READ THESE INSTRUCTIONS CAREFULLY BEFORE ATTEMPTING TO ASSEMBLE OR USE YOUR HOUSTON 2 DRAWER BEDSIDE .

PLEASE KEEP THESE INSTRUCTIONS FOR FUTURE REFERENCE.

ASSEMBLY:

Assembly should be carried out with this item laying flat, not standing upright.

Assemble on a soft, clean surface to prevent damages.

To erase the numbers printed on the pieces, use the rubber inside the accessories pack.

HEALTH & SAFETY:

DO NOT use this product if any parts are missing, damaged or worn.

DO NOT use this product unless all fixings are secured.

Always use on a level, even surface.

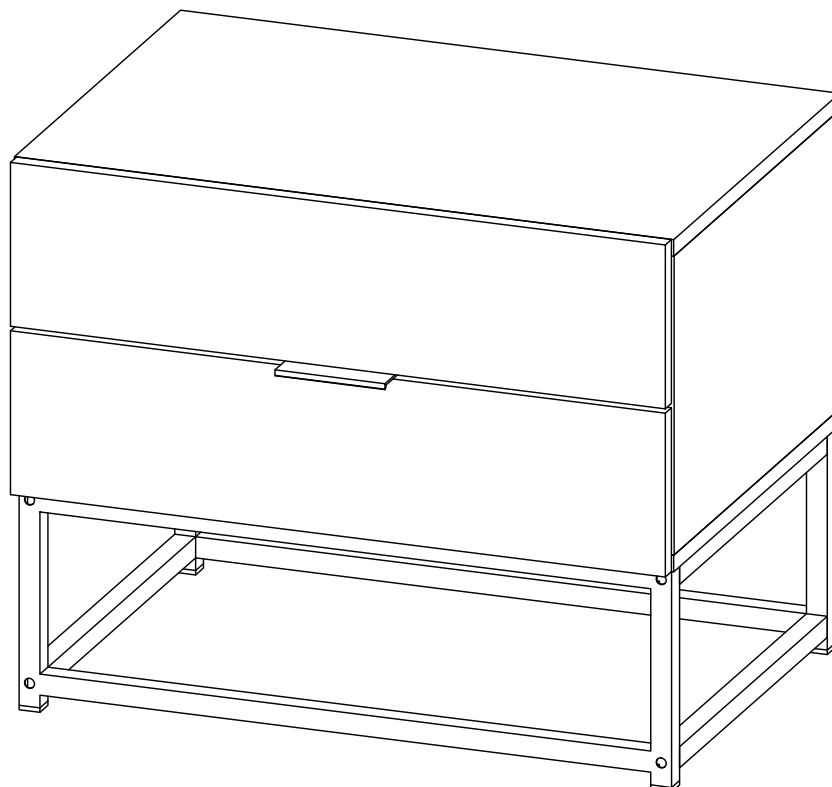
CARE & MAINTENANCE:

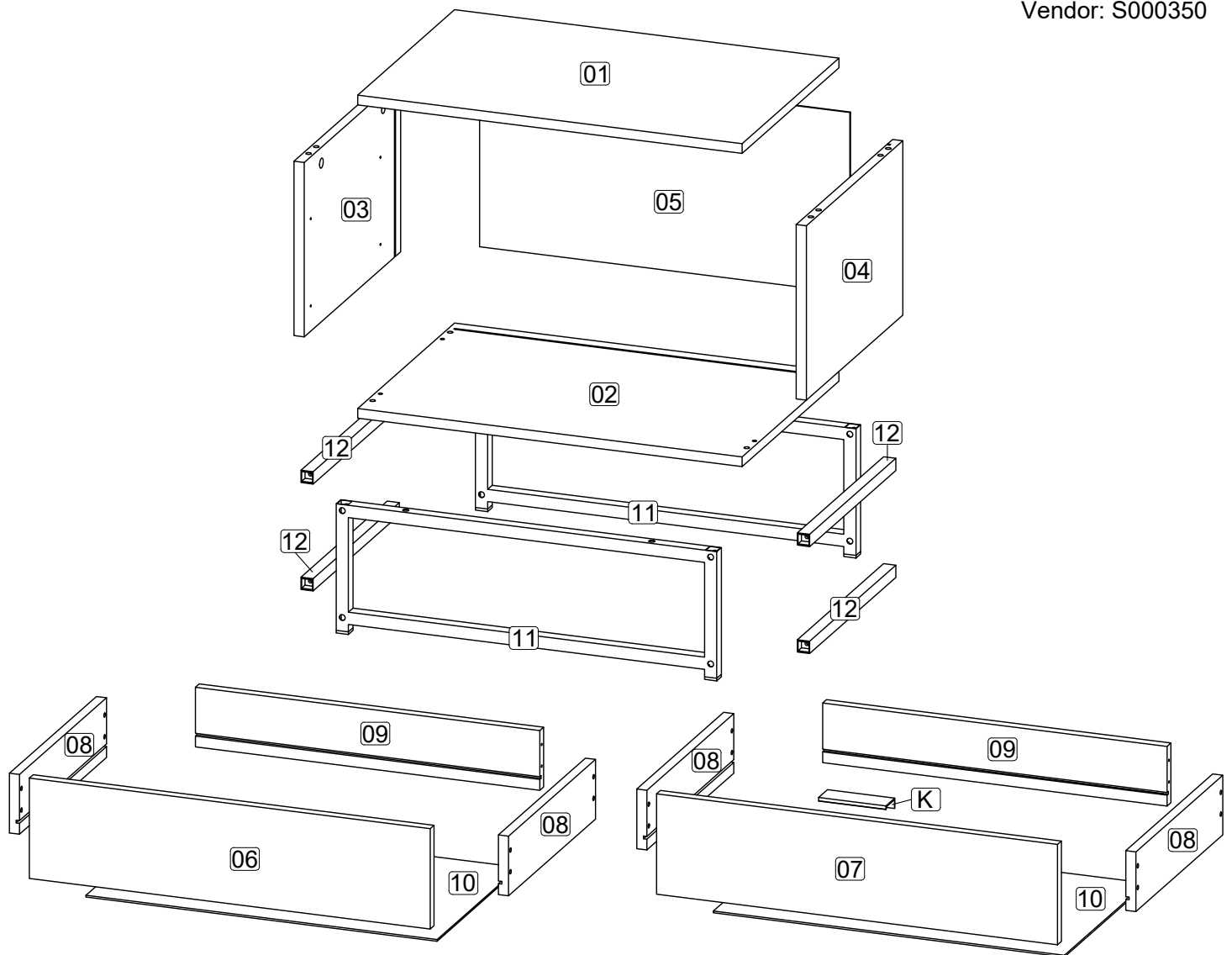
Periodically check all screws & fixings to ensure they are secure.

DO NOT push this product as this will cause damage.

Always lift this product with two people to repositions.

Keep any sharp objects away from this product.

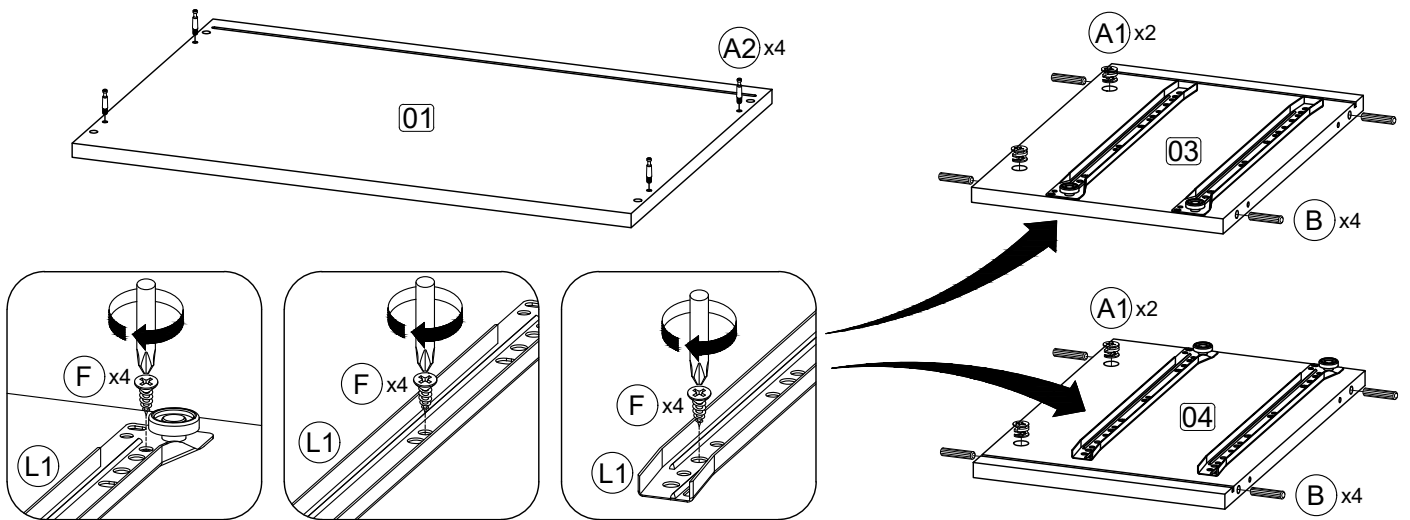




Parts List			Hardware List			
Part	Description	Qty	Part	Description		Qty
01	Top panel	1	A1	Cam lock		4
02	Bottom panel	1	A2	Minifix screw		4
03	Side panel (Left)	1	A3	Plastic cap		4
04	Side panel (Right)	1	B	M8 x 30mm Wood Dowel		8
05	Back panel	1	C	M6 x 50mm CSK Cap Wood screw		4
06	Drawer front (Up)	1	D	Allen key M4		1
07	Drawer front (Down)	1	E	M3 x 12mm C.B Screw		2
08	Drawer side	4	F	M3.5 x 16mm C.B Screw		24
09	Drawer back	2	G	M4 x 38mm C.B Screw		16
10	Drawer bottom	2	H	JCBC screw M6 x 30mm		4
11	Metal frame	2	I	JCBC screw M6 x 40mm		8
12	Metal bone	4	J1	Stud 192		4
** You will need a small mallet and a screwdriver for assembly. ** Some screws and wooden dowel may remain.			J2	Stud 192 screw		4
			K	4020 L Bar 100mm		1
			L1	14" Drawer slide (Left / Right)		4
			L2	14" Drawer slide (Left / Right)		4

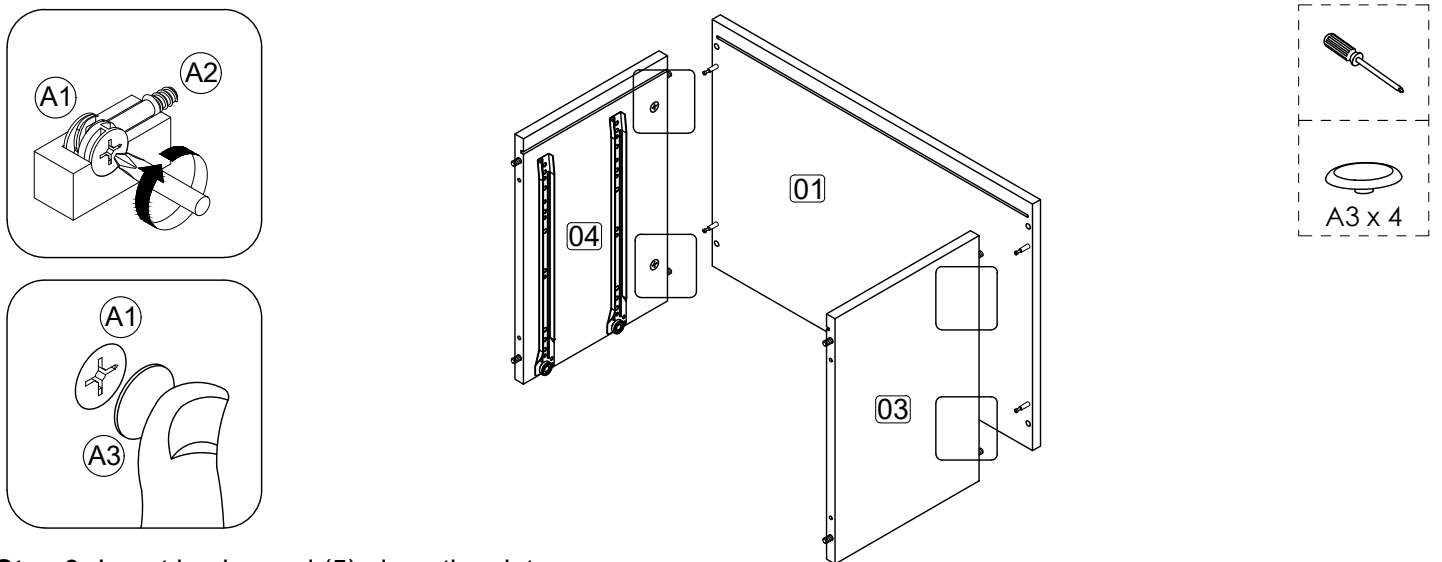
Step 1: Prepare these parts for assembly using hardware parts A1, A2, B, F and L1.

DO NOT use any power tools as this may damage the frame and will invalidate any claim.



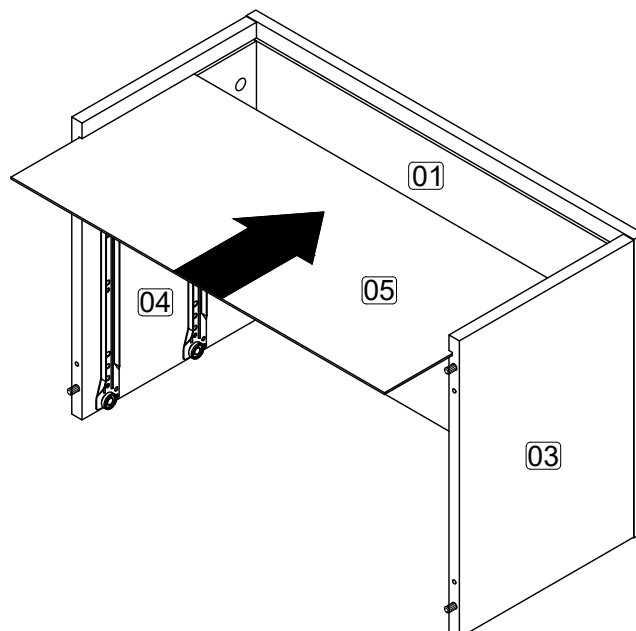
Step 2: Attach side panel (3) and (4) to top panel (1) using hardware A1 and A2 with a screwdriver (not provided).

DO NOT use any power tools as this may damage the frame and will invalidate any claim.



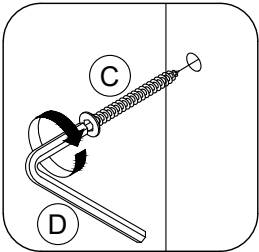
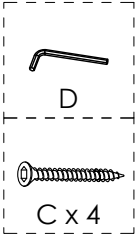
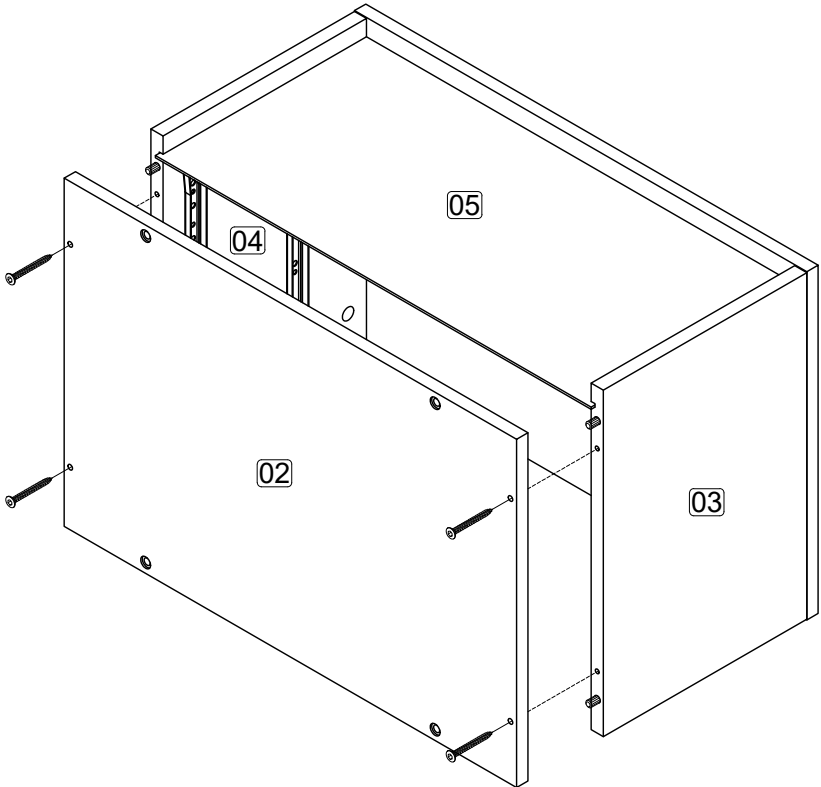
Step 3: Insert back panel (5) along the slot.

DO NOT use any power tools as this may damage the frame and will invalidate any claim.



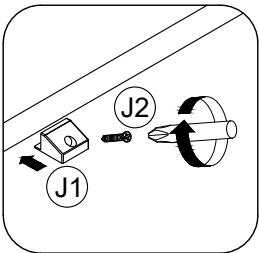
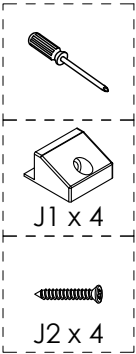
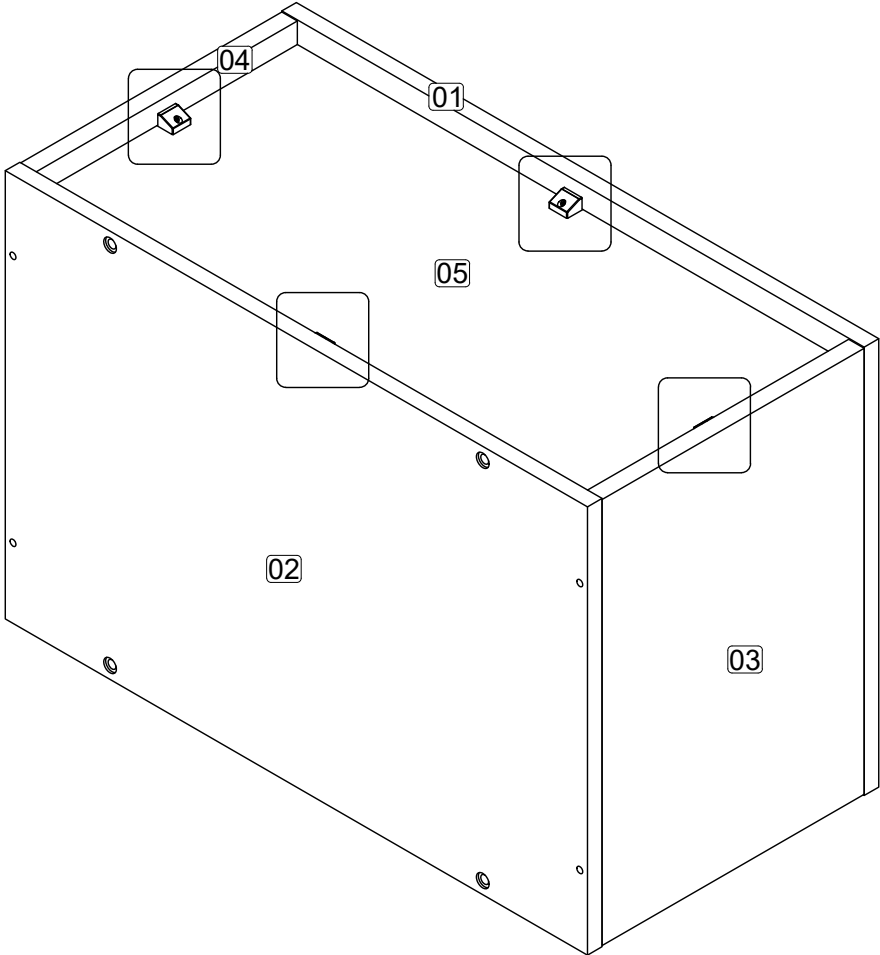
Step 4: Attach bottom panel (2) to side panel (3) and (4) using hardware C and D.

DO NOT use any power tools as this may damage the frame and will invalidate any claim.



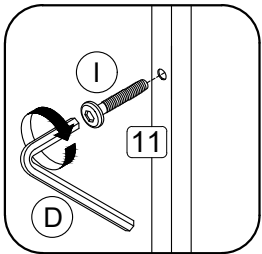
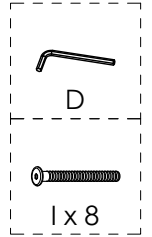
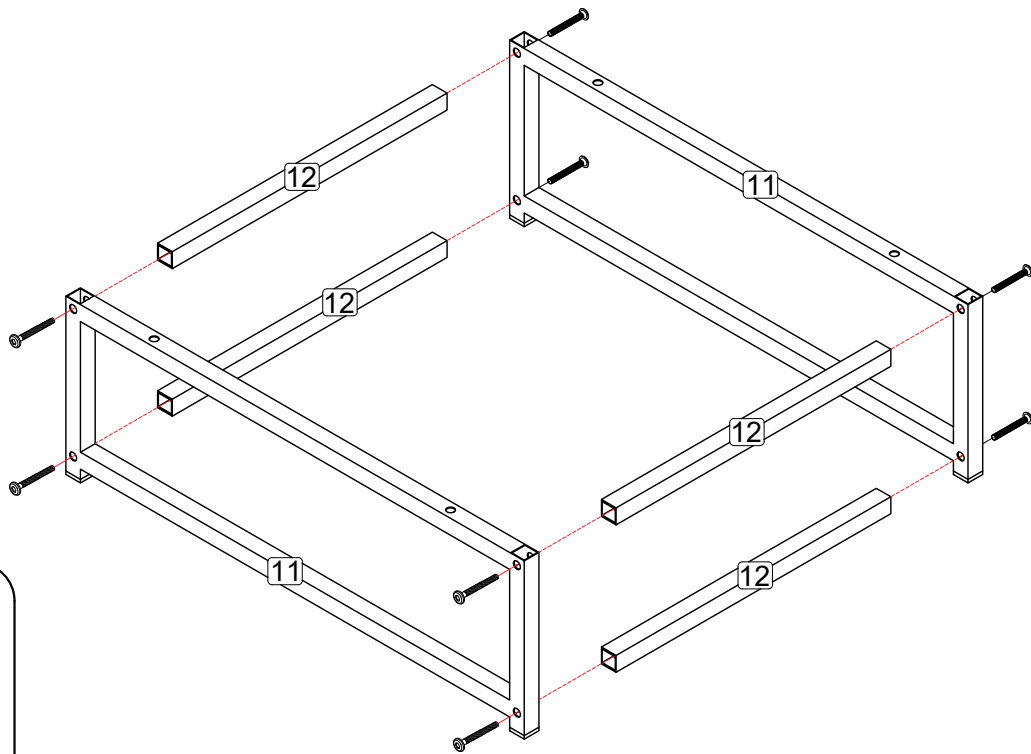
Step 5: Attach hardware J1 into top panel (1), bottom panel (2), side panel (3) and (4) using hardware J2 with a screwdriver (not provided).

DO NOT use any power tools as this may damage the frame and will invalidate any claim.



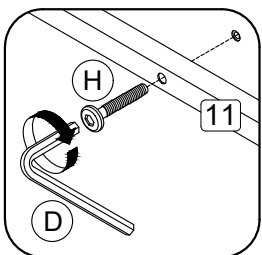
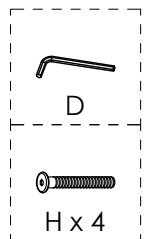
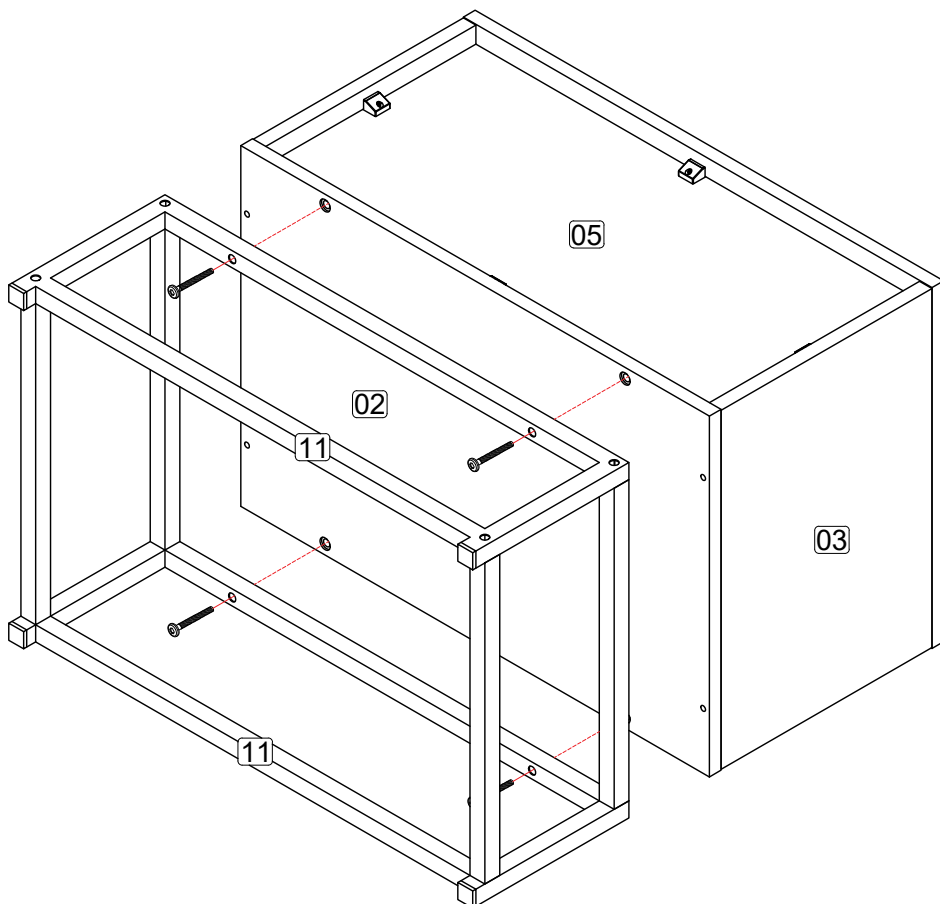
Step 6: Attach metal frame (11) to metal bone (12) using hardware D and I.

DO NOT use any power tools as this may damage the frame and will invalidate any claim.



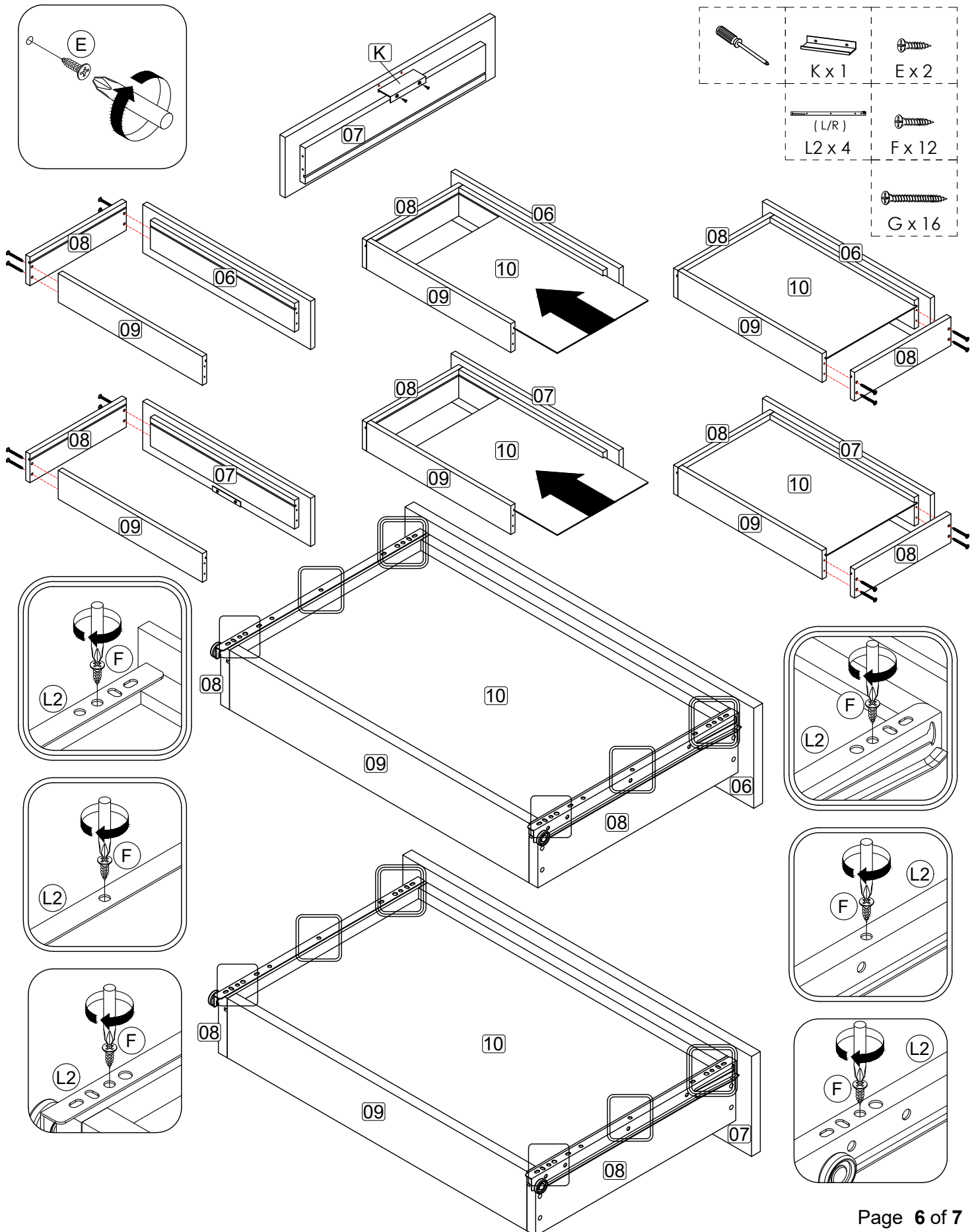
Step 7: Attach metal frame (11) to bottom panel (2) using hardware D and H.

DO NOT use any power tools as this may damage the frame and will invalidate any claim.



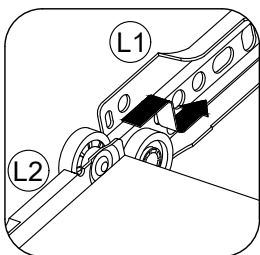
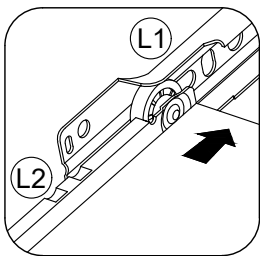
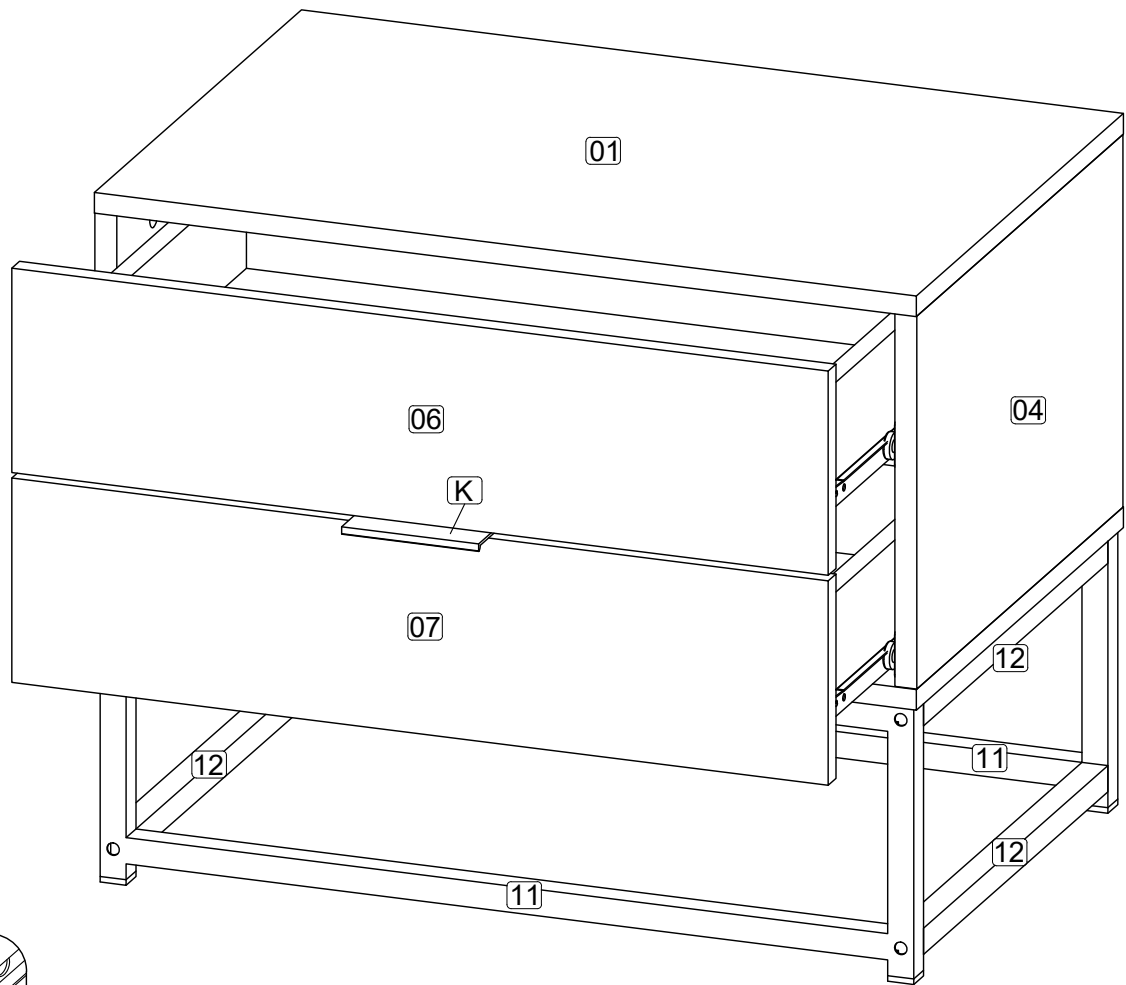
Step 8: Attach the hardware K to the drawer front down (7) using hardware E, attach the drawer front up (6) or drawer front down (7) and the drawer back (9) to 1x drawer side (8) using hardware G. Slide in the drawer bottom (10) and attach the other drawer side (8) using hardware G. Lastly attach the hardware L2 to the drawer sides (8) using hardware (F).

DO NOT use any power tools as this may damage the frame and will invalidate any claim.



Step 9: Assemble the drawer in place along the drawer slides.

DO NOT use any power tools as this may damage the frame and will invalidate any claim.



Please dispose of all packaging safely.

General Care & Maintenance

Wipe clean with a slightly damp cloth.
Avoid the use of all household cleaners and abrasives.

Periodically check all screw & fixings to ensure they are secure.
When moving your product, carefully lift into place. Never drag or push the product across the floor as this will cause damage to the joints. If the product is used on hard flooring, such as wood or laminated floor, you must place some protection under the legs to stop the product from moving. If this is not adhered to, it could result in failure to the product that will invalidate the warranty.

For more information on cleaning and product care visit:
<https://www.happybeds.co.uk/help-and-advice>

Notes

We've tried to make this product as easy to assemble as possible. In the unlikely event that you have problems putting it together or have damaged or missing pieces, please contact us by visiting:

<https://www.happybeds.co.uk/customer-service>



www.happybeds.co.uk

