

## Assembly Instructions

### Important before assembly:

Read these instructions carefully before assembling or using the product.

Please check the contents of the boxes before attempting to assemble this product. The instructions will have a checklist of parts and fittings.

Assemble the product as close to its intended final location/room as possible.

### Health & Safety:

This product or some parts of this product will be heavy. Please use an assistant when lifting.

Please keep small parts out of reach of children.

Always use on a level, even surface.

DO NOT jump on the product or any of its parts.

DO NOT use this product if any parts are missing, damaged or worn.

DO NOT use this product unless all fixings are secured.

**Further instructions are on the following pages.**

Please keep these instructions for future reference.



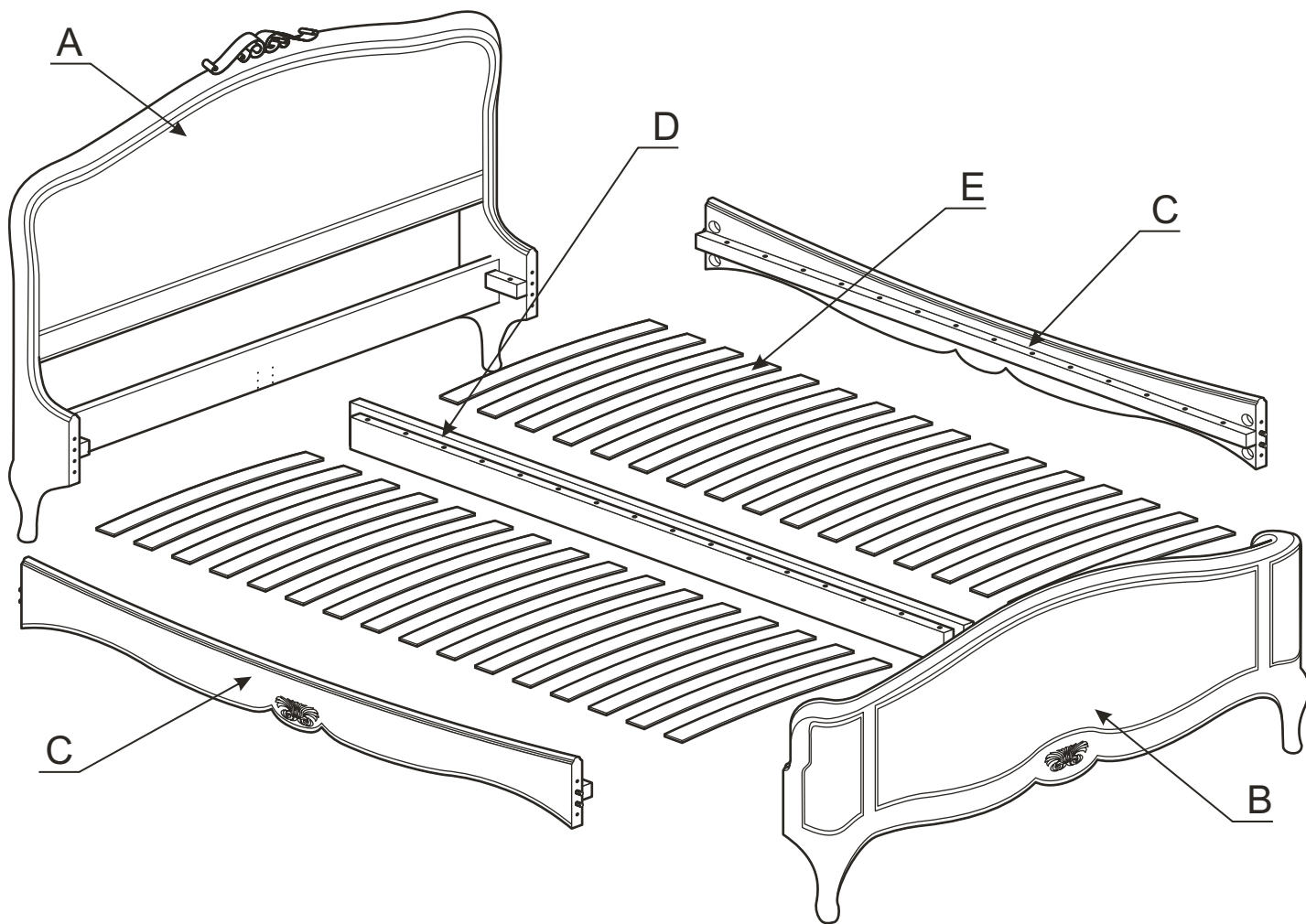
This product or some parts of this product will be heavy. Please use an assistant when lifting.



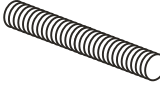








Never drag or push the pieces across a hard or stone floor as this will cause damage to the joints. Use a carpet or a rug for extra care.



If you have problems assembling or have damaged or missing pieces, please contact our customer services (details at the back of these instructions)

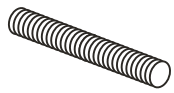


### Panel and Fittings Identification

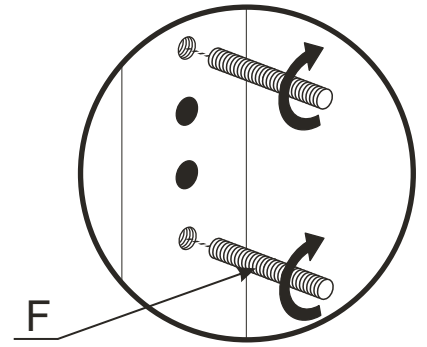
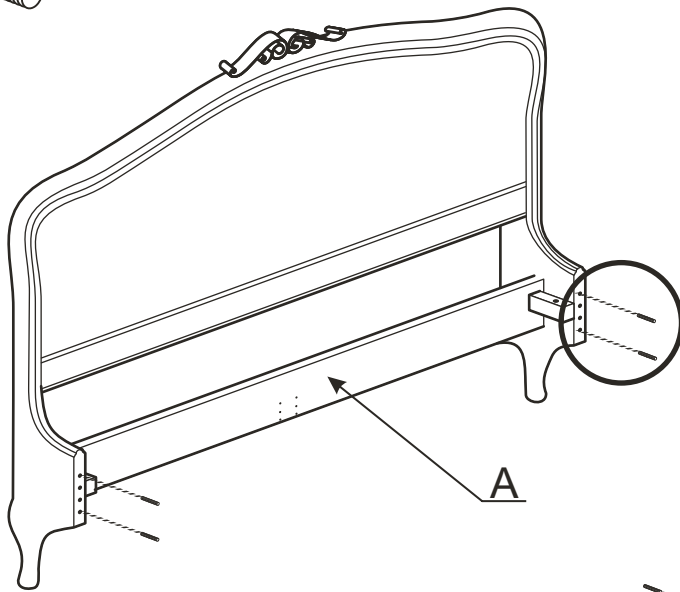
Item	Description	Qty.	Item	Description	Qty.	Item	Description	Qty.
A	Headboard	1	B	Footboard	1	C	Side Rail	2
D	Centre Rail	1	E	Slat		F	Thread	8
				135cm bedstead	32			
				150/180cm bedstead	34			
G	Bracket	2	H	Nut & Washer	8	I	Open Ended 13mm Spanner	1
								
J	16mm CSK Screw	12	K	40mm Bolt	2	L	11mm Nut	2
								
M	Plastic End Caps		N	30mm CSK Screw	4	O	Centre rail support leg	1
	 135cm bedstead	64						
	150/180cm bedstead	68						

**Step 1** - Screw the eight threads into the headboard and footboard ensuring enough of the thread is left for attachment in steps 2 & 3.

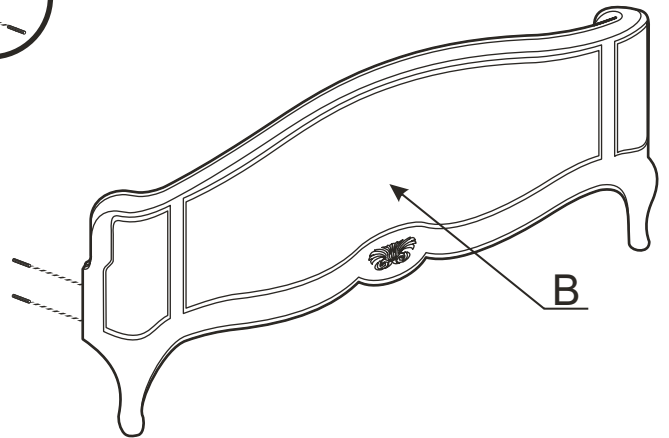
Fittings



F x 8



F



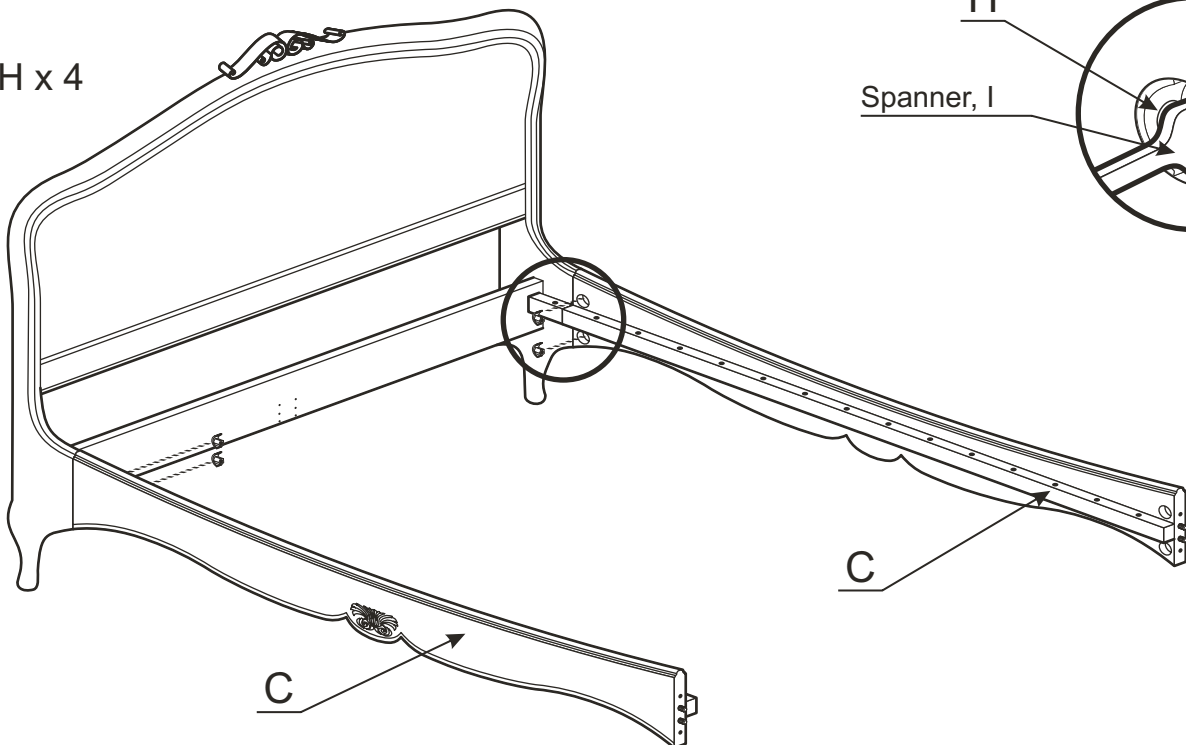
B

**Step 2** - Locate the side rails onto the threads protruding from the headboard. Locate the washers and nuts onto the threads and secure by hand at first. Tighten using the open ended spanner (Provided).

Fittings



H x 4



H

Spanner, I

C

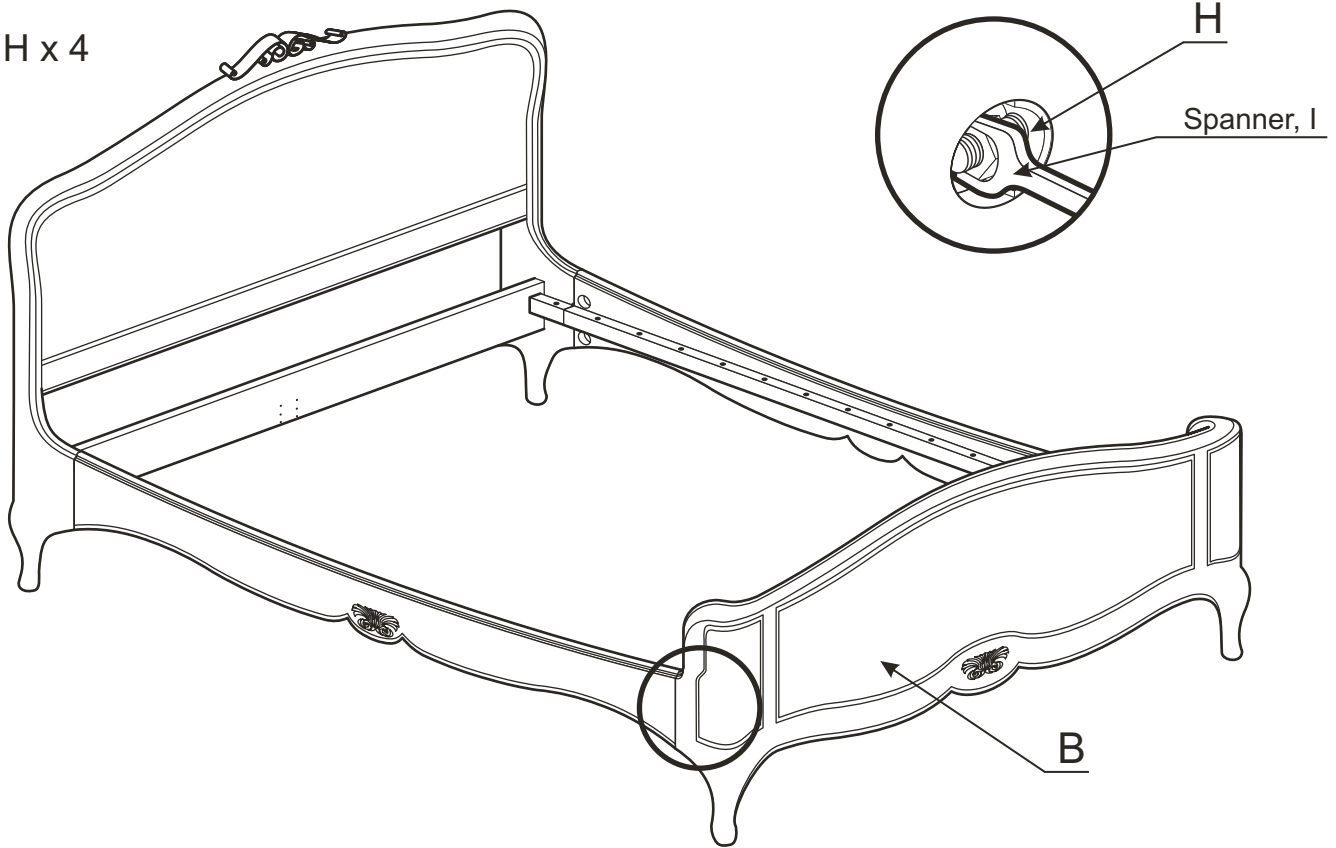
C

**Step 3** - Locate the side rails onto the threads protruding from the footboard. Locate the washers and nuts onto the threads and secure by hand at first. Tighten using the open ended spanner

Fittings



H x 4

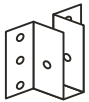


**Step 4** - Attach the brackets to the headboard and footboard using the 20mm screws inserted into the pre-drilled pilot holes. Tighten using a crosshead screwdriver.

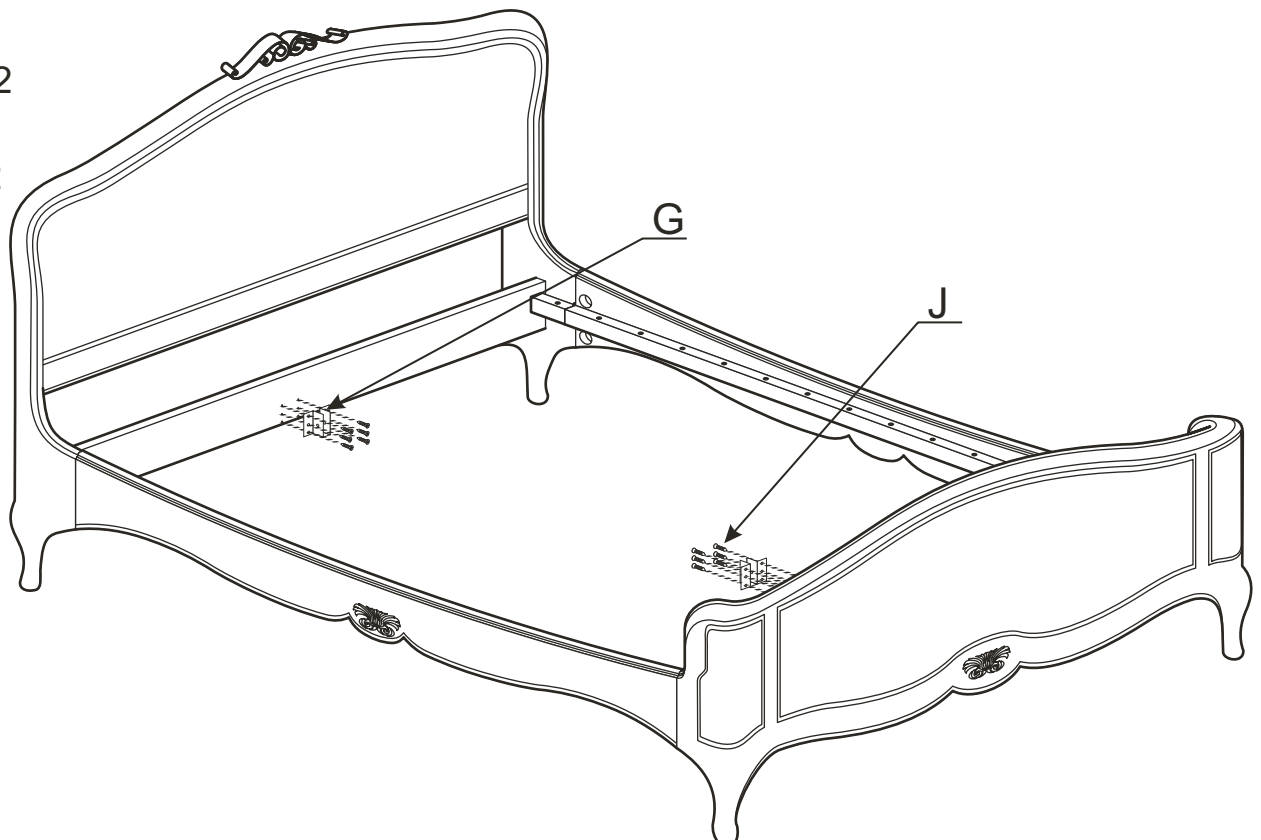
Fittings



J x 12




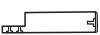


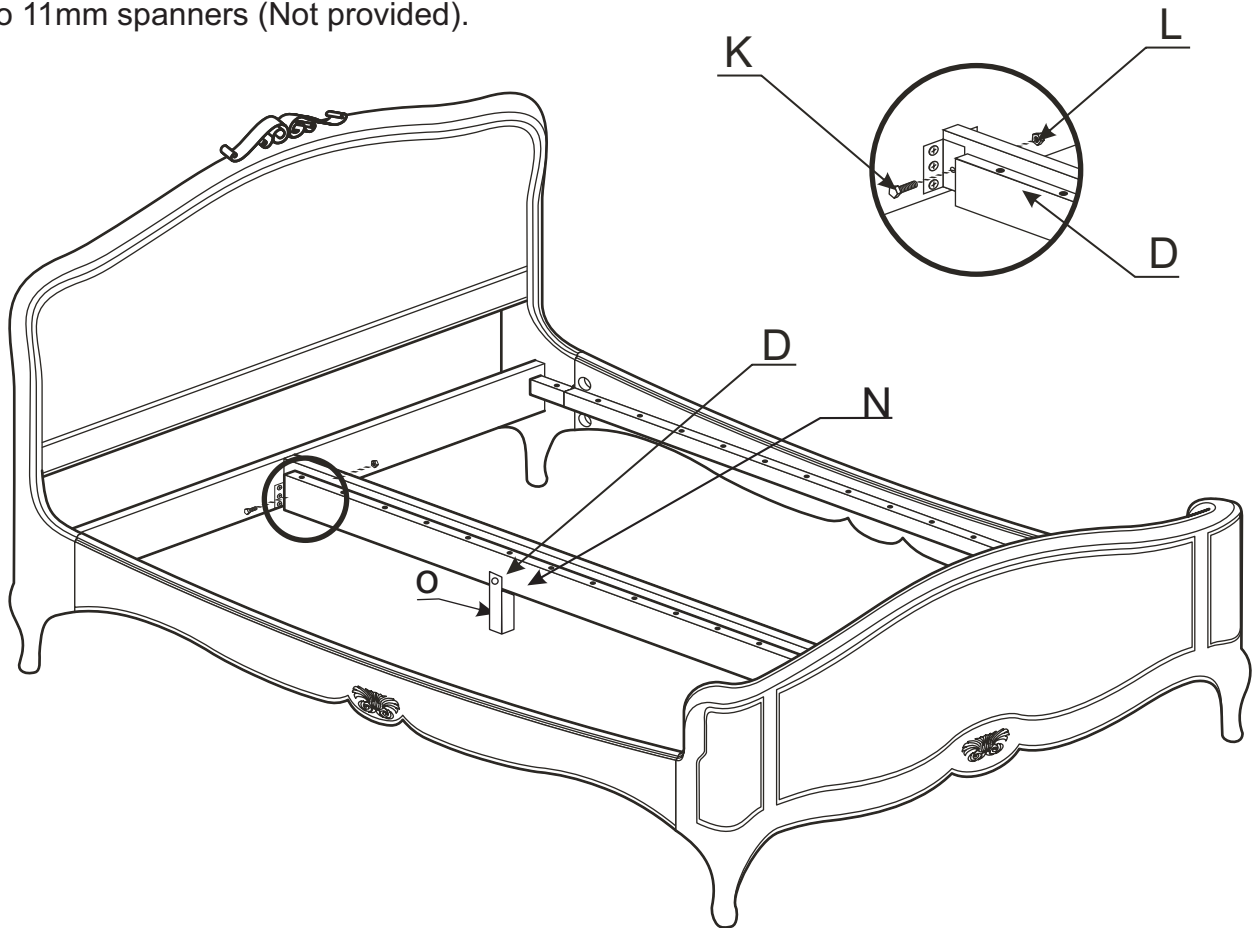
G x 2



**Step 5** - Attach the support leg (O) to the centre rail (D) using four 30mm CSK screws (N). Locate the centre rail into the brackets. Secure using the remaining nuts and bolts. Tighten using two 11mm spanners (Not provided).


Fittings

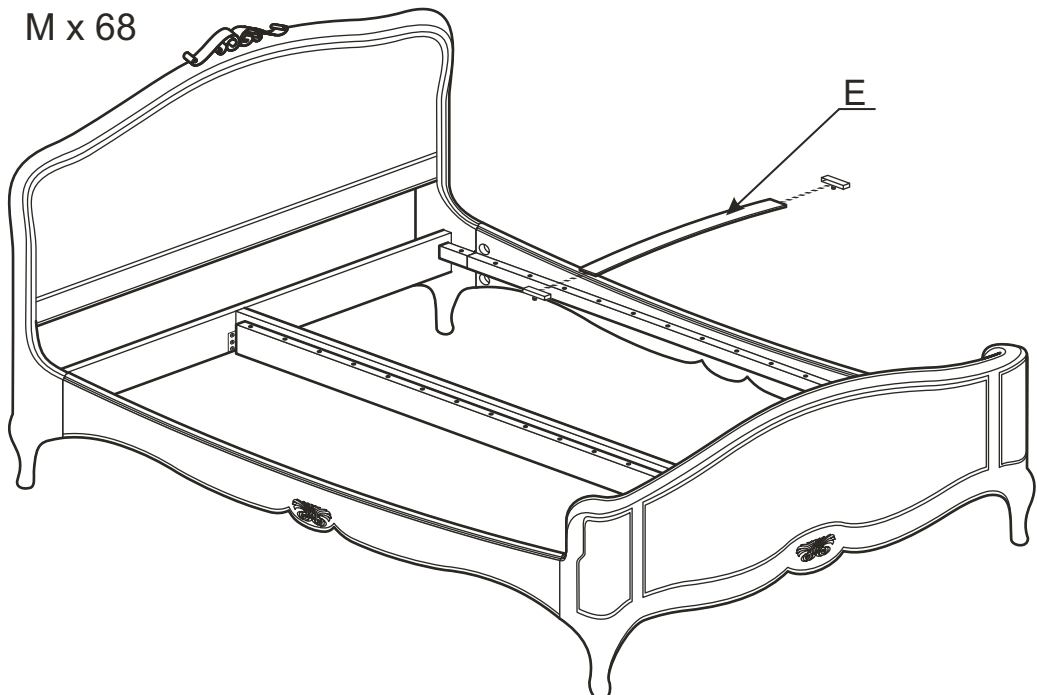
-  K x 2
-  L x 2
-  N x 4
-  O x 1



**Step 6** - Push fit two plastic caps onto either end of the slat. Push fit the slat into the pre-drilled pilot holes. It may help to push the slat flat and lightly tap the plastic cap with a soft hammer. Repeat this step with the remaining slats. The assembly is now complete.

Fittings

-  135cm bedstead M x 64
- 150/180cm bedstead M x 68



Please dispose of all packaging safely.

## General Care & Maintenance

Wipe clean with a slightly damp cloth.  
Avoid the use of all household cleaners and abrasives.

Periodically check all screw & fixings to ensure they are secure.

When moving your product, carefully lift into place. Never drag or push the product across the floor as this will cause damage to the joints. If the product is used on hard flooring, such as wood or laminated floor, you must place some protection under the legs to stop the product from moving. If this is not adhered to, it could result in failure to the product that will invalidate the warranty.

For more information on cleaning and product care visit:  
<https://www.happybeds.co.uk/help-and-advice>

## Notes

In the unlikely event that you have problems putting this product together or have damaged or missing parts, please contact us by visiting:  
<https://www.happybeds.co.uk/customer-service>