

Assembly Instructions

Important: Before Assembly

Please read these instructions carefully before assembling or using the product.

Please check the contents of each box before attempting to assemble this product.

The instructions will have a checklist of parts and fittings.

Assemble the product as close to its intended final location room as possible.

Health & Safety:

This product or some parts of this product will be heavy. Please use an assistant when lifting.

Please keep small parts out of reach of children.

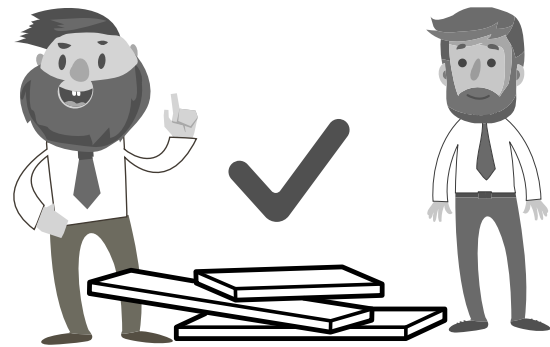
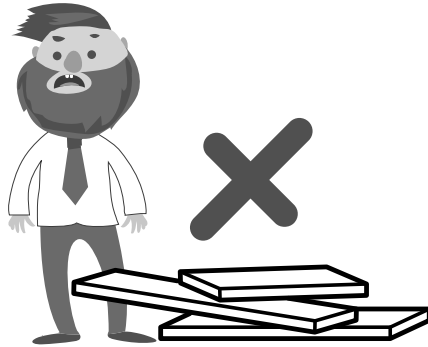
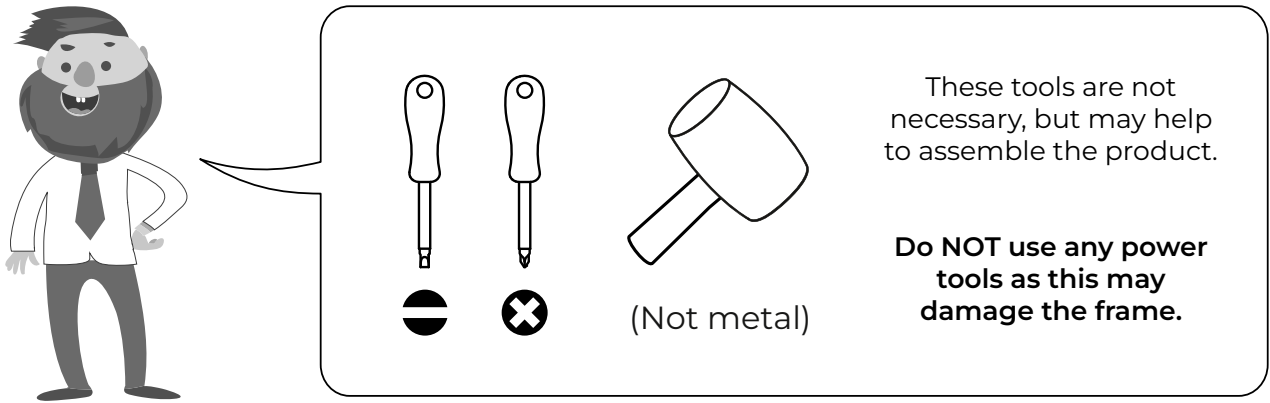
Always use on a level, even surface.

DO NOT jump on the product or any of its parts.

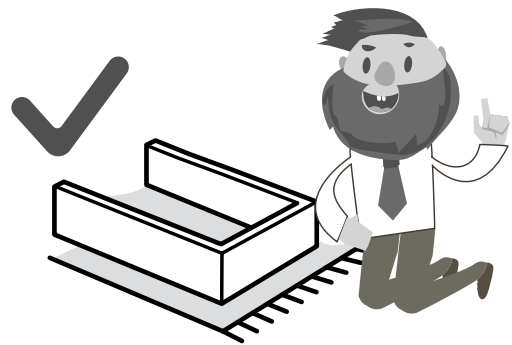
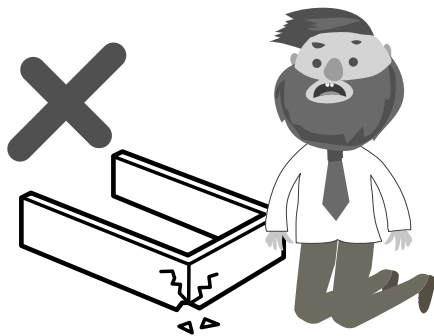
DO NOT use this product if any parts are missing, damaged or worn.

DO NOT use this product unless all fixings are secured.

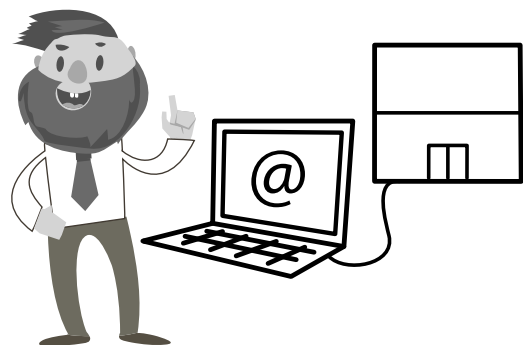
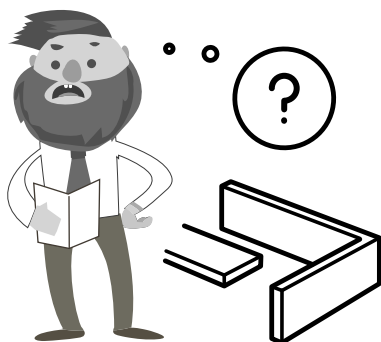
Further instructions are on the following pages
Please keep these instructions for future reference.



This product or some parts of this product will be heavy. Please use an assistant when lifting.



Never drag or push the pieces across a hard or stone floor as this will cause damage to the joints. Use a carpet or a rug for extra care.



If you have problems assembling or have damaged or missing pieces, please contact our customer services (details at the back of these instructions)



Important for Ottoman and other gas lift beds

Note:

The bed base is in the upright position when first assembled as the gas lifts are fully extended during shipment for safety. After assembly a firm downward push will be required to overcome any resistance in the gas lifts as these may initially stick. We suggest placing a mattress on top of the bed base to aide this and also test the operation of your new lift up bed by lifting and pushing down the bed base a few times to allow the lifting mechanism to bed in.

The lift mechanism provides assistance with the lift of the mattress fitted to the base. It does not lift the mattress for you. The system has been designed to effectively lift the base system fitted with a variety of mattress weights and combinations of depths. Depending on the combination of the mattress weight and depth determines the degree of assistance provided by the mechanism.

Following the installation of the mechanism lift, pull the base up and down a few times to free off the system. The gas cylinders fitted to the system may be stiff when first used or if the system has not been operated for a period of time.

Use the strap handles to lift up the mattress base using two hands. Pull the mattress base down using two hands equally spaced from the centre of the mattress base. DO NOT pull down on one side of the base only as this is likely to damage the base system with potential failure of the mattress base system and lift mechanism.

Do NOT operate the lift up mechanism without the mattress placed on the base.

Caution:

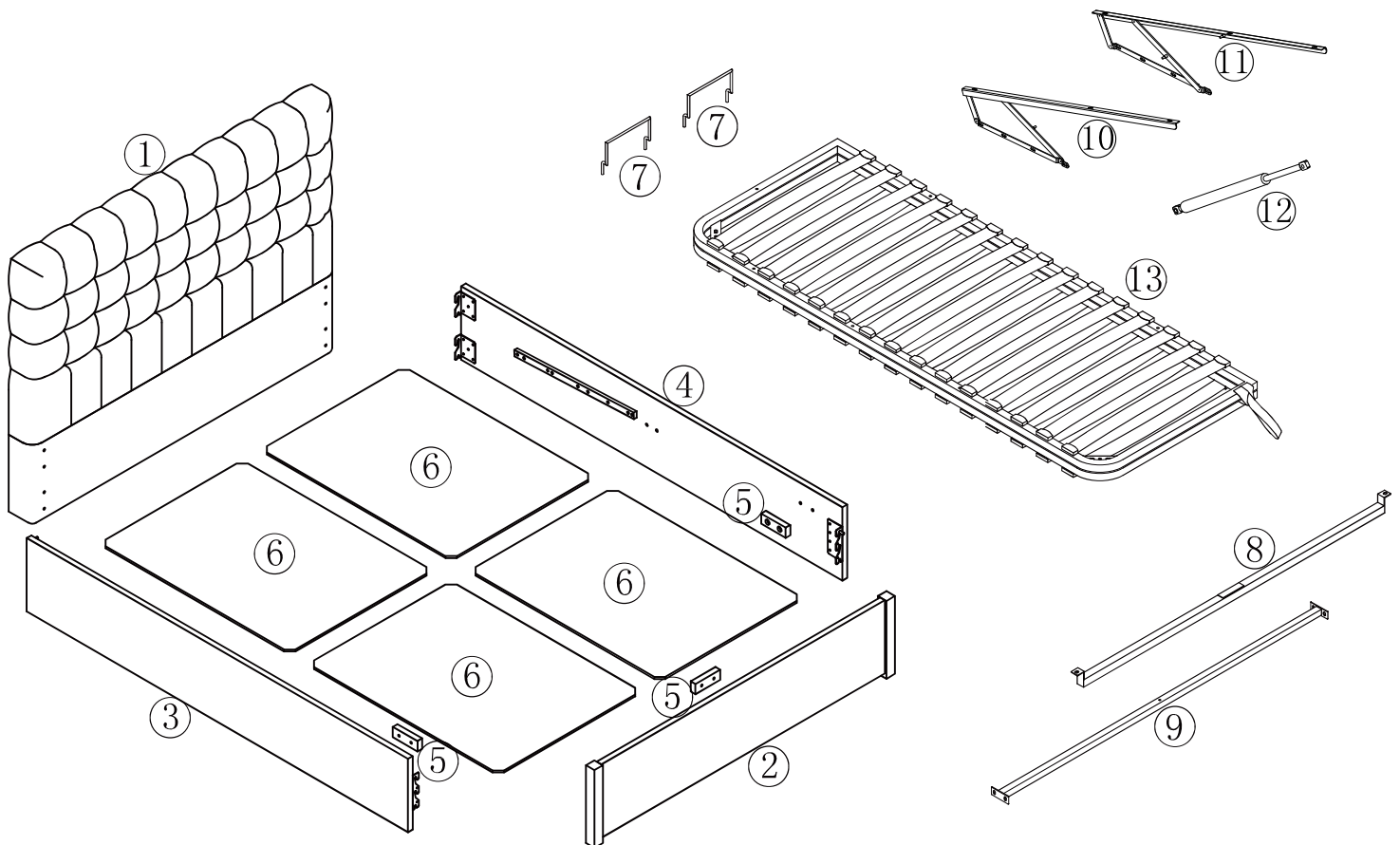
Do NOT allow children to operate the lift mechanism.
Do NOT allow children near the lift base when operating the mechanism.
Do NOT allow children in the area of the internal storage base.
Keep hands clear of the mechanism when operating the base system.
Do NOT stand inside the bed or the internal storage base.
Do NOT overload the internal storage base.

Happy beds™





www.happybeds.co.uk

No	Part List	Qty	Box
1	Headboard	1 pc	1
2	Footboard	1 pc	3
3	Side rail - LH	1 pc	2
4	Side rail - RH	1 pc	2
5	Slat frame support blocks	1 pc	3
6	Storage base boards	4 pcs	3
7	Mattress stoppers	2 pcs	3


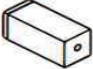






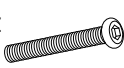

No	Part List	Qty	Box
8	Side rail cross bar	1 pc	3
9	Slat frame cross bar	1 pc	3
10	Gas lift mechanism LH	1 pc	3
11	Gas lift mechanism RH	1 pc	3
12	Gas lift pistons	2 pcs	3
13	Metal slat frame	1 pc	3



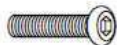


HARDWARE NEEDED FOR BED ASSEMBLY - HARDWARE PACK (A)

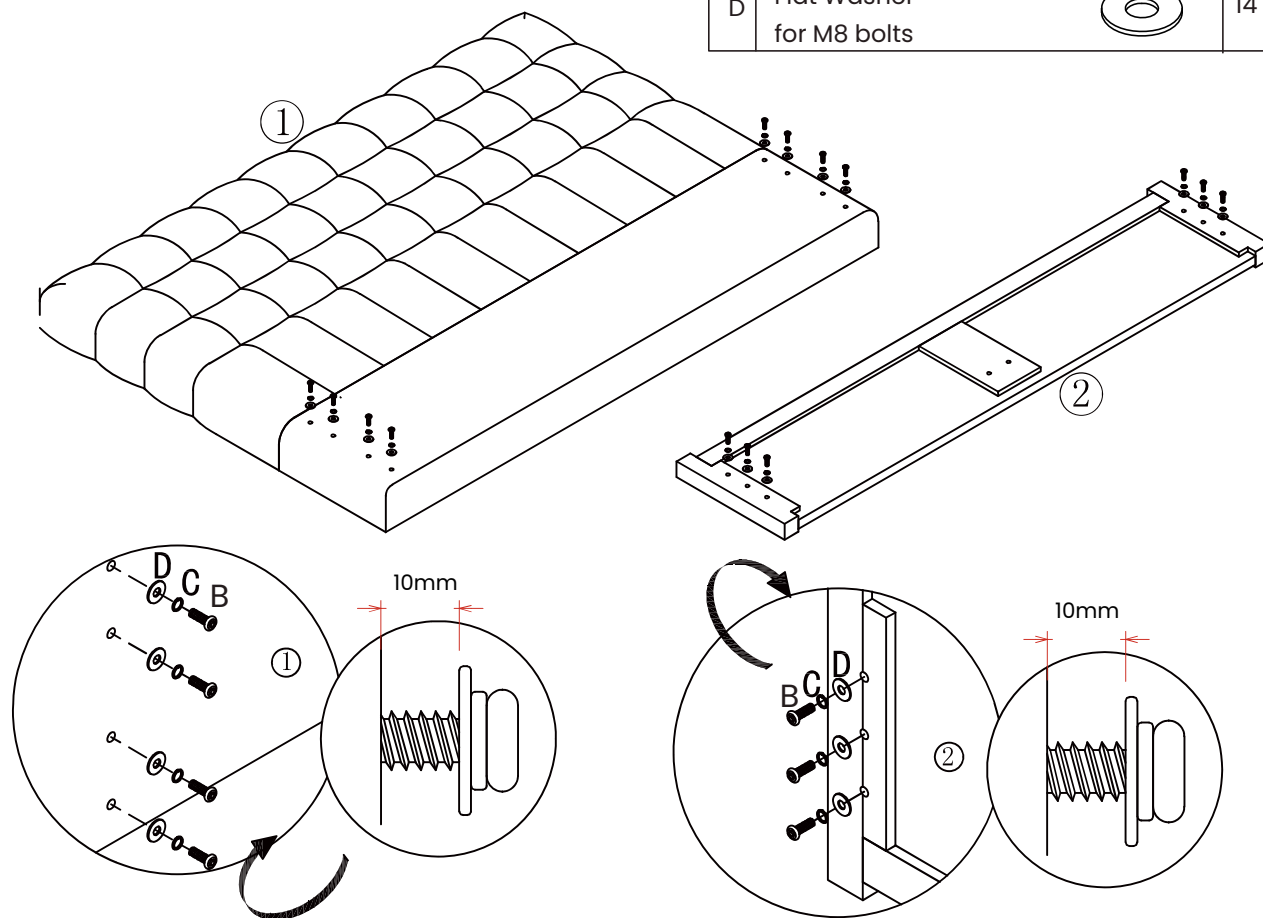
No	Hardware List	QTY	Box	No	Hardware List	QTY	Box
B	Bolts (M8 X 35) for fitting side rails to headboard & footboard and gas-lift mechanisms to siderails 	20 pcs	3	D	Flat washer for M8 bolts 	20 pcs	3
C	Spring washer for M8 bolts 	20 pcs	3	E	Allen key for M8 bolts. 	1 pc	3

HARDWARE NEEDED FOR SLAT FRAME ASSEMBLY - FITTING PACK (B)

No	Hardware list	QTY	Box	No	Hardware list	QTY	Box
A	Bolts (M8x20mm) for fitting connection plates (H) and cross bar (8) to slat frame 	10 pcs	3	G	Centre cross bar support block 	1 pc	3
B	Bolts (M8x35mm) for fitting slat frame supports (5) & support block (G) 	9 pcs	3	H	Metal slat frame connection plates 	2 pc	3
C	Spring washer for M8 bolts 	24 pcs	3	J	Nut for M8 bolts 	6 pcs	3
D	Flat washer for M8 bolts (Ø14x1.5mm) 	31 pcs	3	K	Flanged lock nuts for M8 bolts 	4 pc	3
F	Bolts (M8x50mm) to fit slat frame (13) to support bars 	6 pcs	3	L	Spanner for M8 Bolts 	1 pc	3

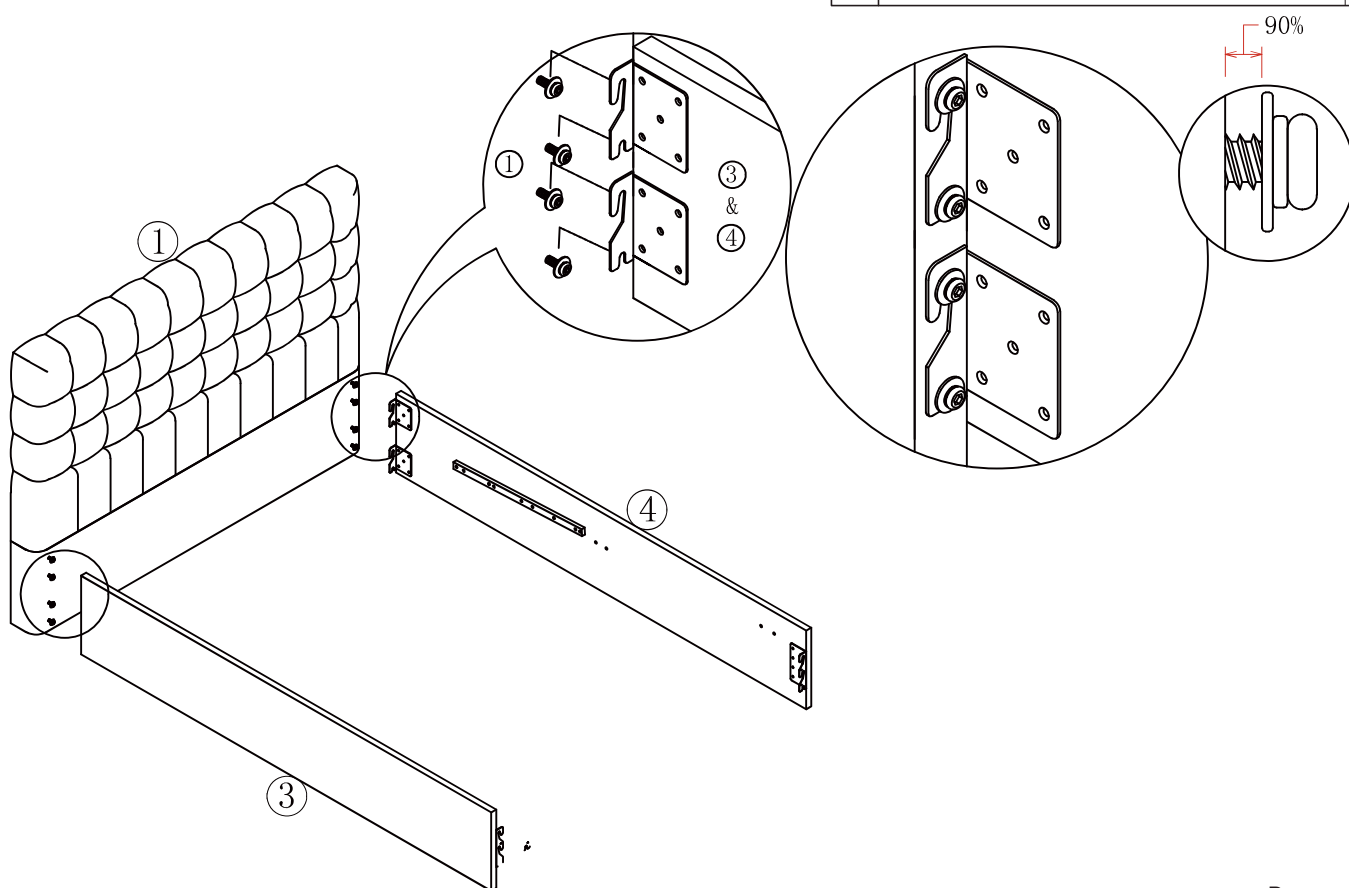
Step 1:

B	Bolts (M8 x 35mm)		14 pcs
C	Spring Washer for M8 bolts		14 pcs
D	Flat Washer for M8 bolts		14 pcs



Step 2:

E	Allen key for M8 bolts		1 pc
---	------------------------	---	------

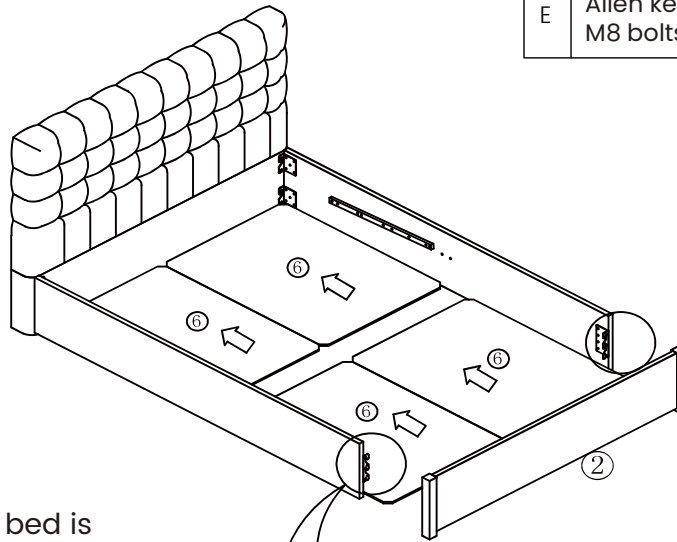


Step 3:

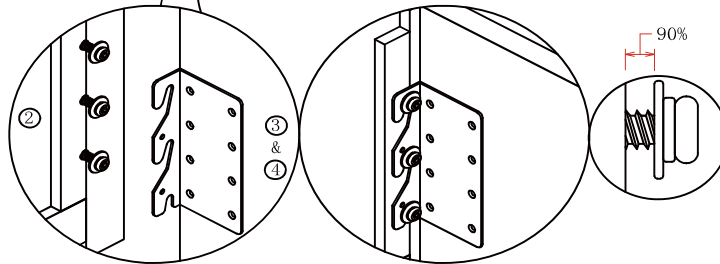
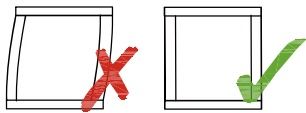
E Allen key for M8 bolts



1 pc

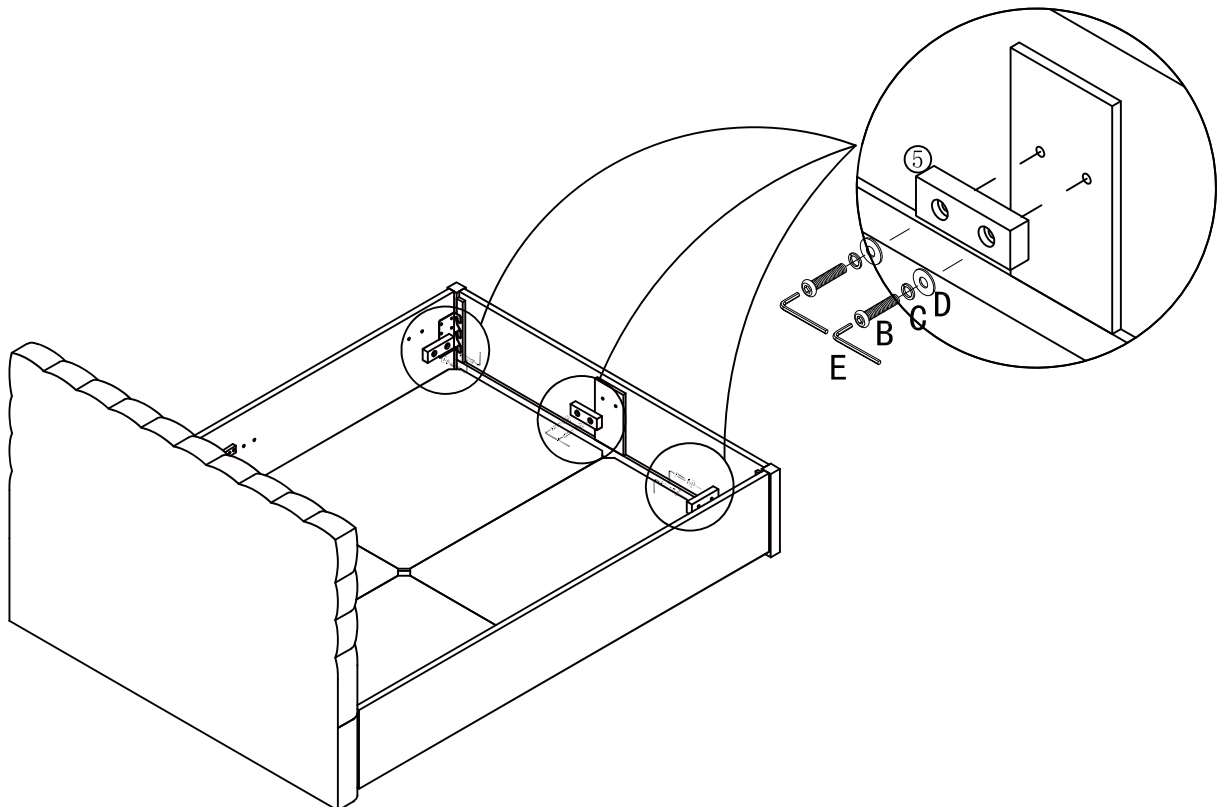


Make certain the bed is squared up as shown in the diagram then tighten all bed assembly bolts 100%.






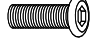


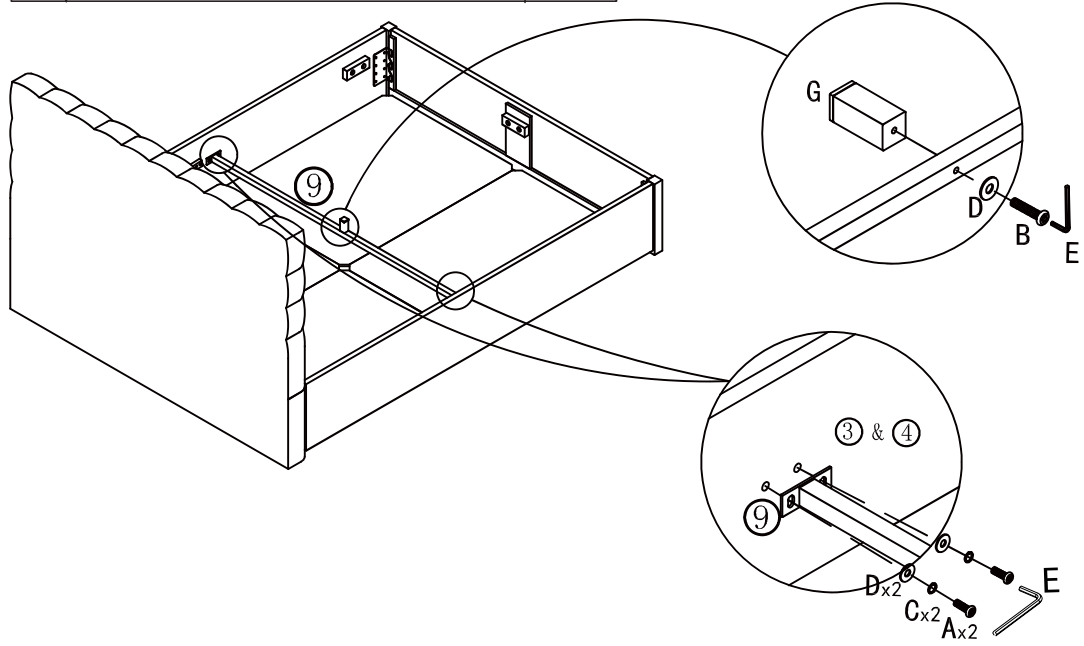
Step 4:

B	Bolts M8 x 35mm		6 PCS	C	Spring Washer for M8 bolts		6 PCS
D	Flat washer for M8 bolts		6 PCS	E	Allen key for M8 bolts		1 pc


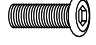
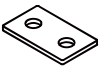




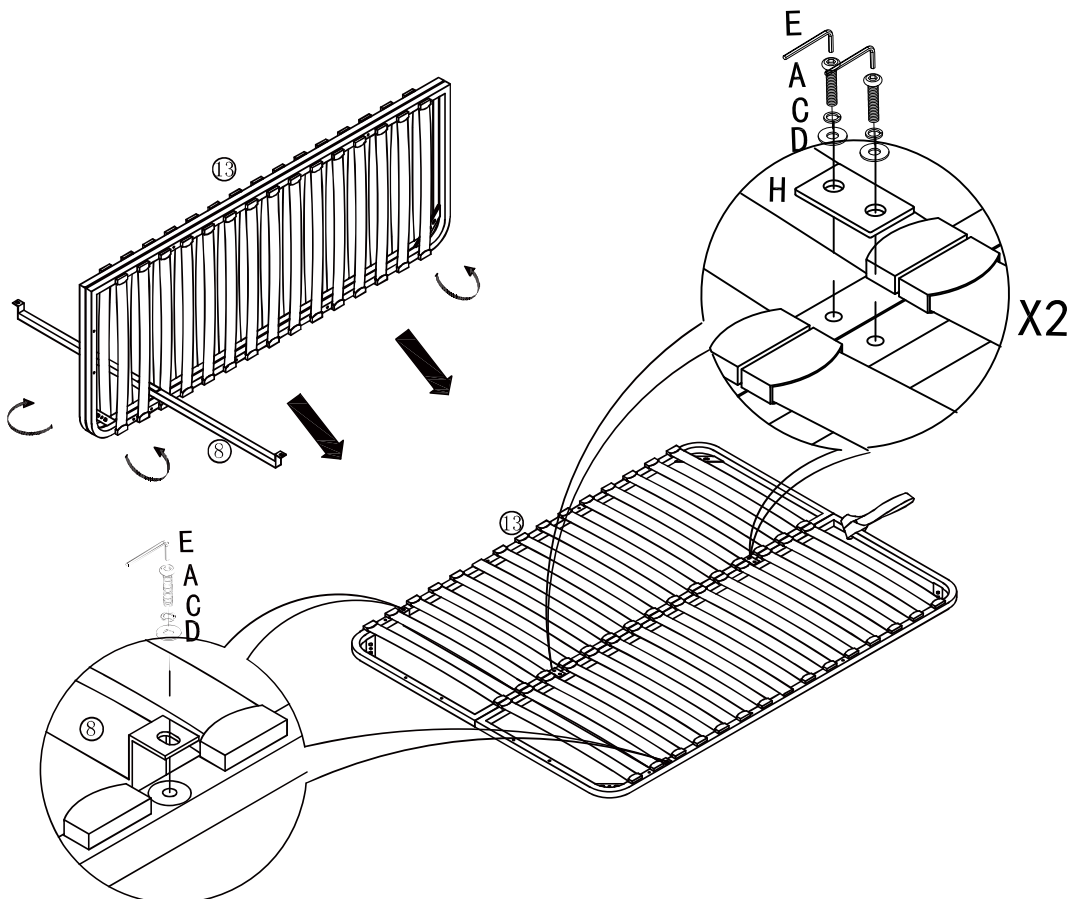
Step 5:

B	Bolts M8 x 35mm		1 PC	C	Spring Washer for M8 bolts		4 PCS
D	Flat washer for M8 bolts		5 PCS	E	Allen key for M8 bolts		1 pc
G	Centre support block		1 PC	A	Bolts M8 x 20mm		4 PCS



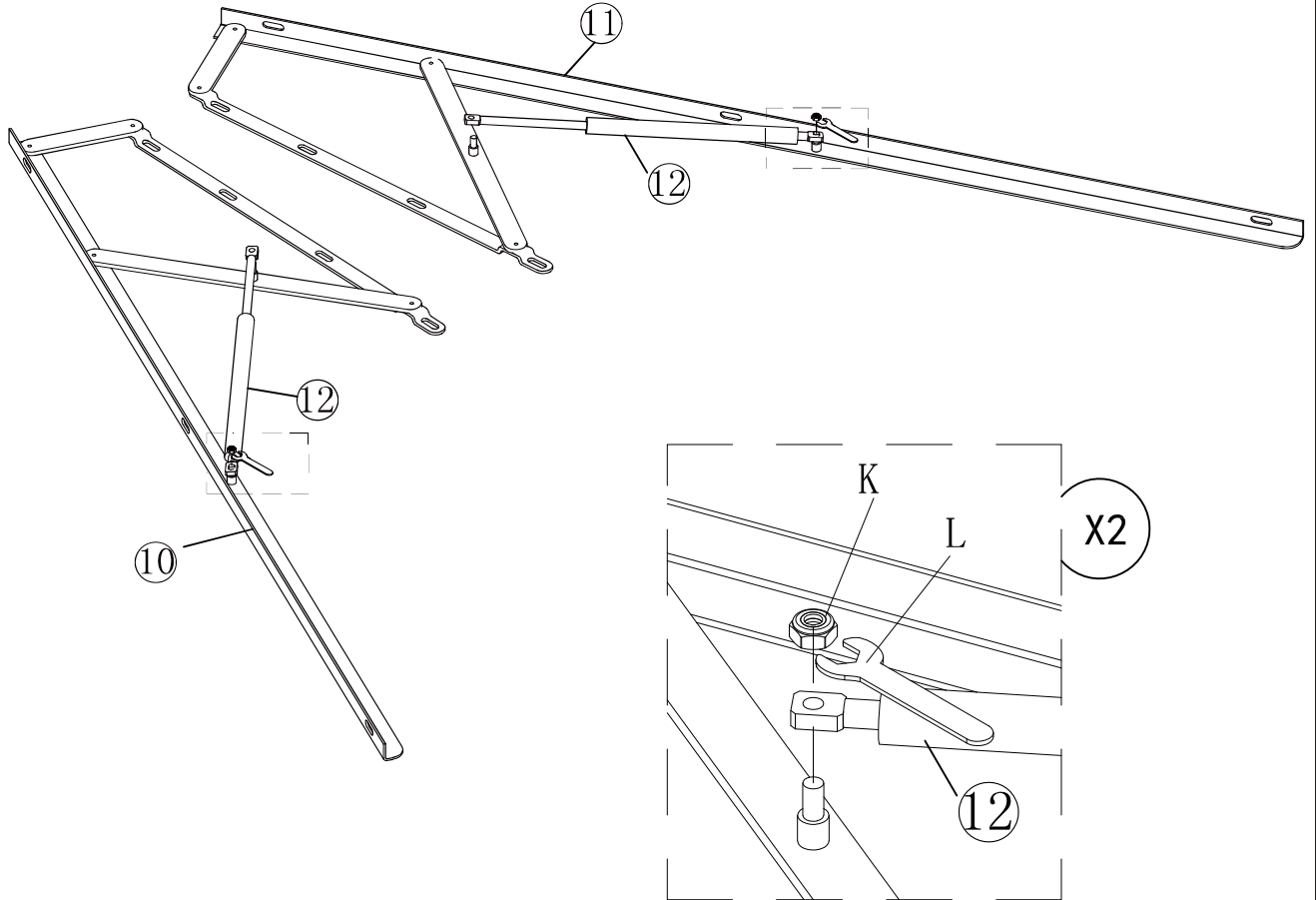
Step 6:

E	Allen Key for M8 bolts		1 pc	A	Bolts (M8x20mm)		6 pcs
H	Metal connection plates		2 pcs	C	Spring Washer for M8 bolts		6 pcs
				D	Flat Washer for M8 bolts		6 pcs

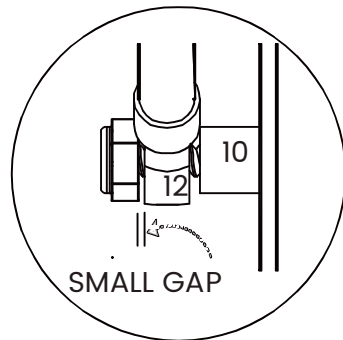


Step 7:





K	Flanged M8 lock nuts		2 pcs	L	Spanner for M8 nut		1 pcs
---	----------------------	--	-------	---	--------------------	--	-------

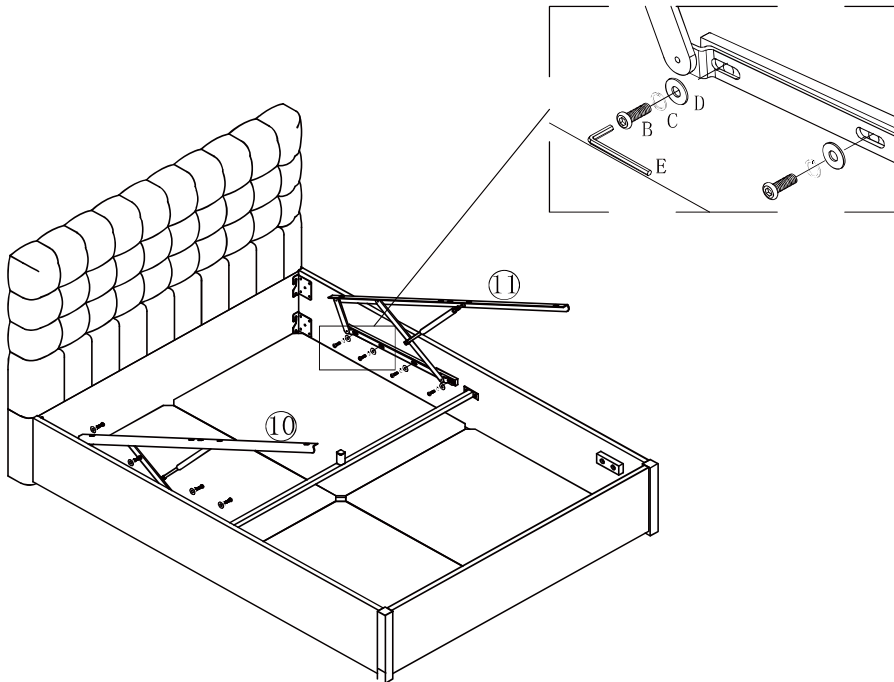


A small gap must be left so stem can move freely - this is important, see sketch below.









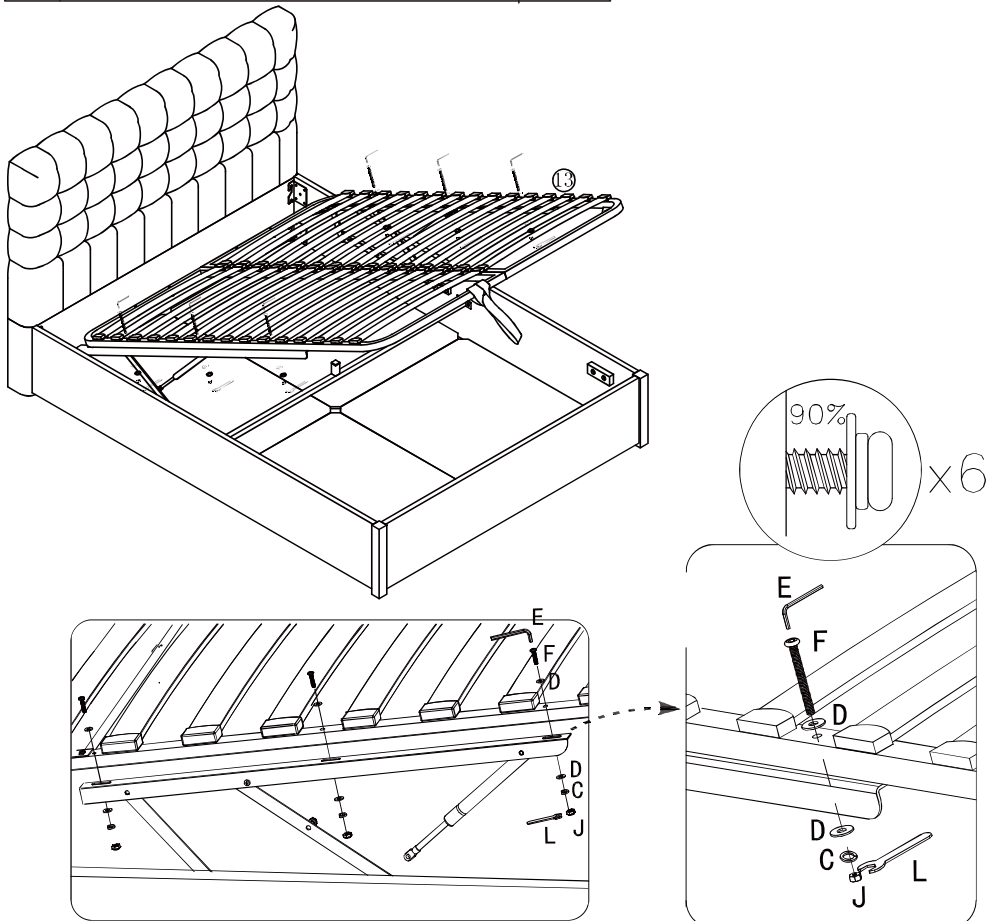
Step 8:

B	Bolts M8 x 35mm		8 PCS	C	Spring Washer for M8 bolts		8 PCS
D	Flat washer for M8 bolts		8 PCS	E	Allen key for M8 bolts		1 pc





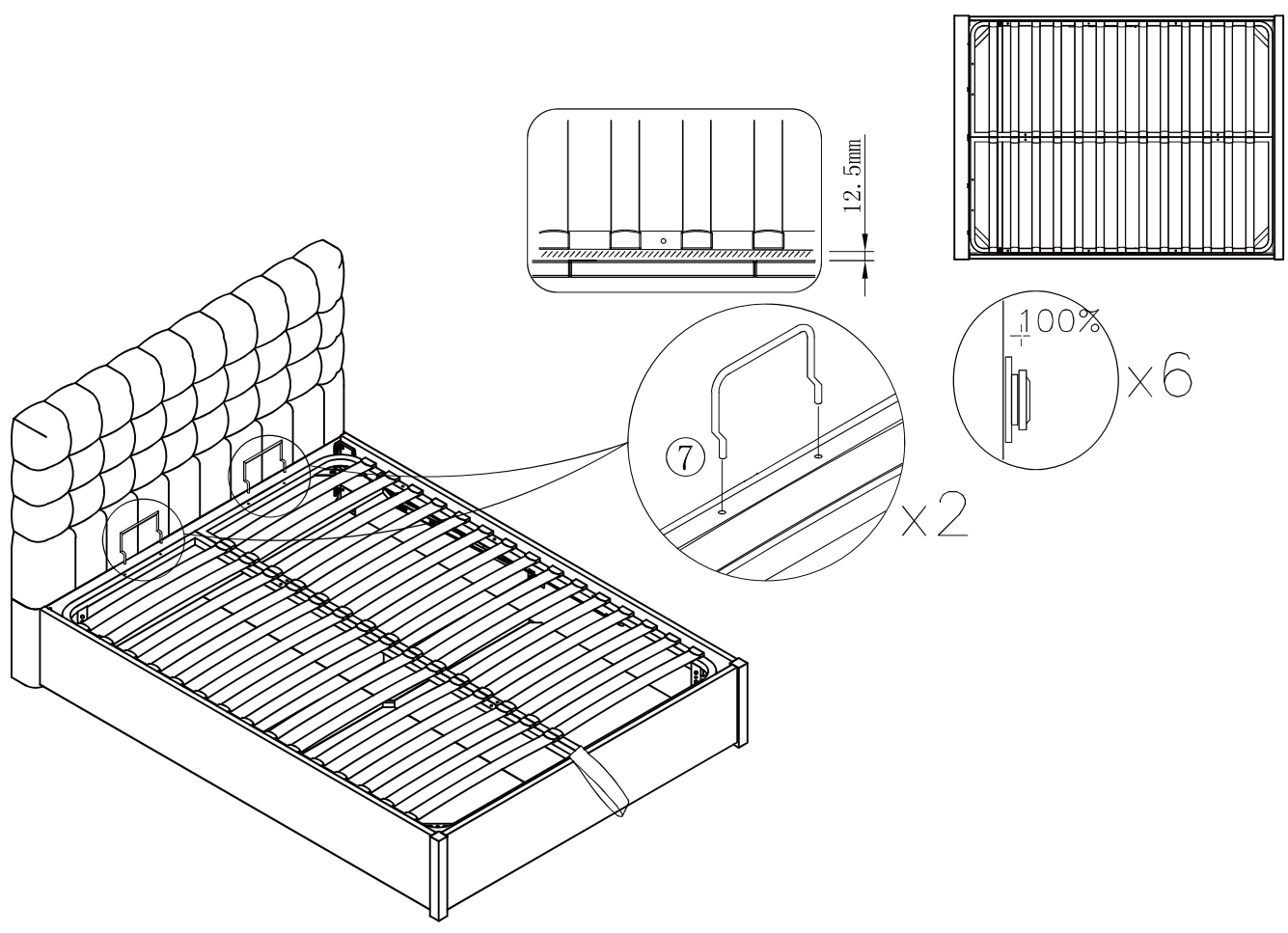
Step 9:

F	Bolts M8 x50mm		6 PCS	C	Spring Washer for M8 bolts		6 PCS
D	Flat washer for M8 bolts.		12 PCS	E	Allen key for M8 bolts		1 pc
J	Nuts for M8 bolts		6 pcs	L	Spanner for M8 nut		1 pcs

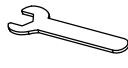



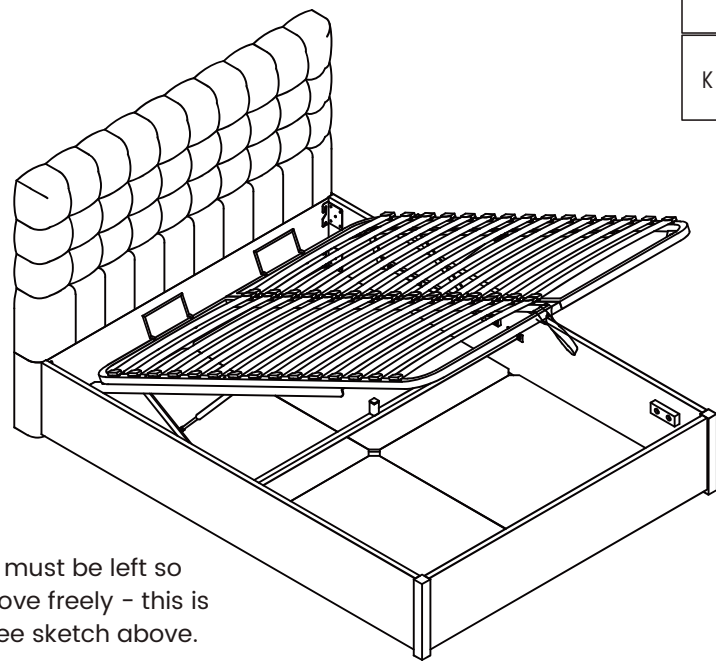
Step 10:

E	Allen key for M8 bolts		1 pc	L	Spanner for M8 nut		1 pcs
---	------------------------	--	------	---	--------------------	--	-------

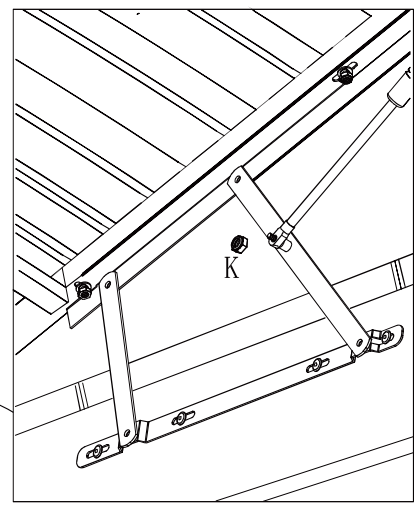
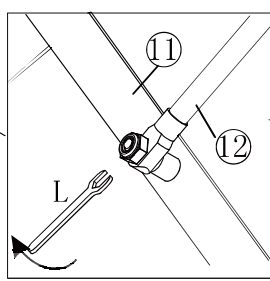
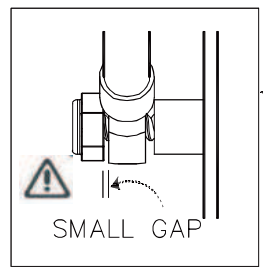


Step 11:

L	Spanner for M8 nut		1 pcs
K	Flanged lock-nut for M8 bolts		2 pcs



A small gap must be left so stem can move freely - this is important, see sketch above.



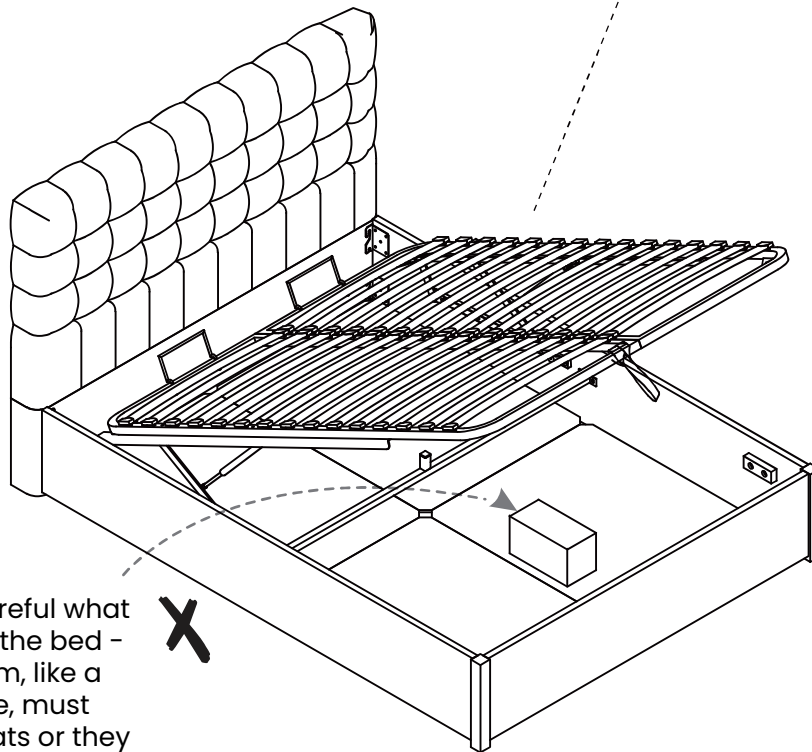
Step 12:

WARNING: ONLY USE THE HANDLE TO LIFT &
LOWER THE BED FRAME TO
AVOID TRAPPING FINGERS!

TO AVOID ACCIDENTS
TO ACCESS THE STORAGE AREA THE OTTOMAN FRAME
MUST BE FULLY OPENED AND THEN FULLY CLOSED AFTERWARDS

SAFETY WARNING
PLEASE DO NOT ALLOW CHILDREN
OR PETS INSIDE THE STORAGE AREA.

SAFETY WARNING
PLEASE BE CAREFUL WHEN LIFTING.
ONLY LIFT WITH MATTRESS ON TOP.
TO BE OPERATED BY ADULTS ONLY.



Note: be very careful what
you store under the bed -
the top of an item, like a
box or a suitcase, must
not touch the slats or they
may be damaged.
Maximum storage height
is 26cm

Technical Specifications

Overall Dimensions (LWH cm)

Double: 207.8 x 146.7 x 116.6

King: 217.8 x 161.7 x 116.6

Internal Dimension (LWH cm)

Double: 193 x 137.5 x 26

King: 203 x 152.5 x 26

Distance Between Slats (cm)

Double: 7

King: 6.8

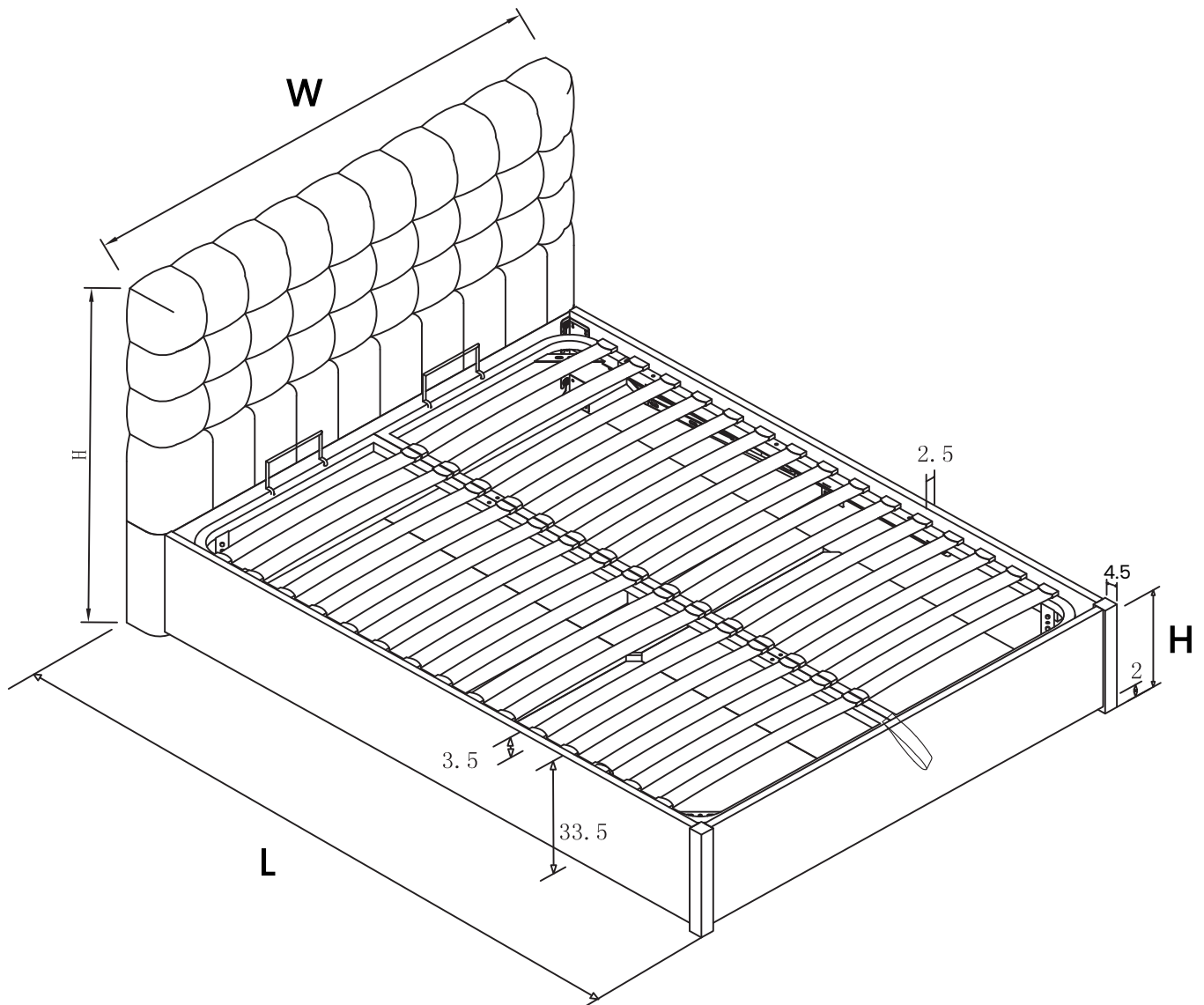
Ottoman Piston Rating

Double & King: 800 N

Slat Dimension (LWH cm)

Double: 66.9 x 5.3 x 0.9

King: 74.4 x 5.3 x 0.9



Important for Ottoman and other gas lift beds

Please follow these final steps to ensure the best experience with your new bed

- Please ensure the pistons are fitted to the bed frame.
- Please place the mattress on top of the bed frame.
- Standing at the foot of the frame (looking at the headboard) open the base and the press quite forcefully down on the mattress - please do not attempt to do this without the mattress being in place.
- Please do not pull on the strap handles.
- Please note as the pistons are full of gas - you will need to press heavily to release the compressed gas.
- Once done the pistons should start operating as normal.



IMPORTANT OTTOMAN SAFETY WARNINGS Cont.

- Use caution when operating, always use the handle when lifting.
- Note: This bed uses a pressurised mechanism.
- To be operated by adults only.
- Please ensure that children and pets are kept away from the bed when operating the lift mechanism.
- Keep children and pets away from the storage area.
- Do not overload the internal storage base.
- Do not stand inside the internal storage area of the bed.
- Before removing the mattress secure the frame to ensure it does not open unexpectedly.
- Do not attempt to lie on the mattress when the ottoman is in the raised position.
- When lifting the ottoman, remove all bedding except the fitted sheet.

Please dispose of all packaging safely.

General Care & Maintenance

Wipe clean with a slightly damp cloth.

Avoid the use of all household cleaners and abrasives.

Periodically check all screw & fixings to ensure they are secure.

When moving your product, carefully lift into place. Never drag or push the pieces across the floor as this will cause damage to the joints and could result in failure to the product that will invalidate the warranty.

For more information on cleaning and product care visit:

<https://www.happybeds.co.uk/help-and-advice>

Notes:

We've tried to make this product as easy to assemble as possible. In the unlikely event that you have problems putting it together or have damaged or missing pieces, please contact us by visiting:

<https://www.happybeds.co.uk/customer-service>