



Assembly Instructions

Jay-Be Revolution Folding Bed



Important before assembly:

Read these instructions carefully before assembling or using the product.

Please check the contents of the boxes before attempting to assemble this product. The instructions will have a checklist of parts and fittings.

It would be sensible to lay a rug or a carpet on the floor where you intend to assemble the product, to avoid scratches and damaging the product or the floor.

Assemble the product as close to its intended final location/room as possible.

Do NOT use any power tools as this may damage the frame.

Health & Safety:

This product or some parts of this product will be heavy. Please use an assistant when lifting.

Please keep small parts out of reach of children.

Always use on a level, even surface.

DO NOT jump on the product or any of its parts.

DO NOT use this product if any parts are missing, damaged or worn.

DO NOT use this product unless all fixings are secured.

Please keep these instructions for future reference.



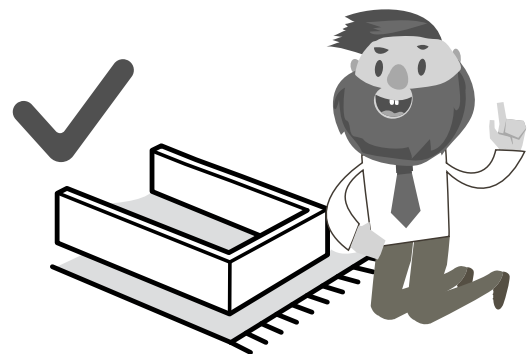
(Not metal)

These tools are not necessary, but may help to assemble certain parts of the product.

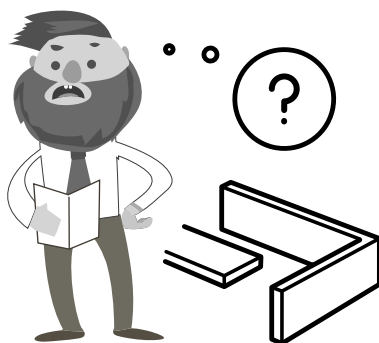
Do NOT use any power tools as this may damage the frame.



This product or some parts of this product will be heavy. Please use an assistant when lifting.



Never drag or push the pieces across a hard or stone floor as this will cause damage to the joints. Use a carpet or a rug for extra care.



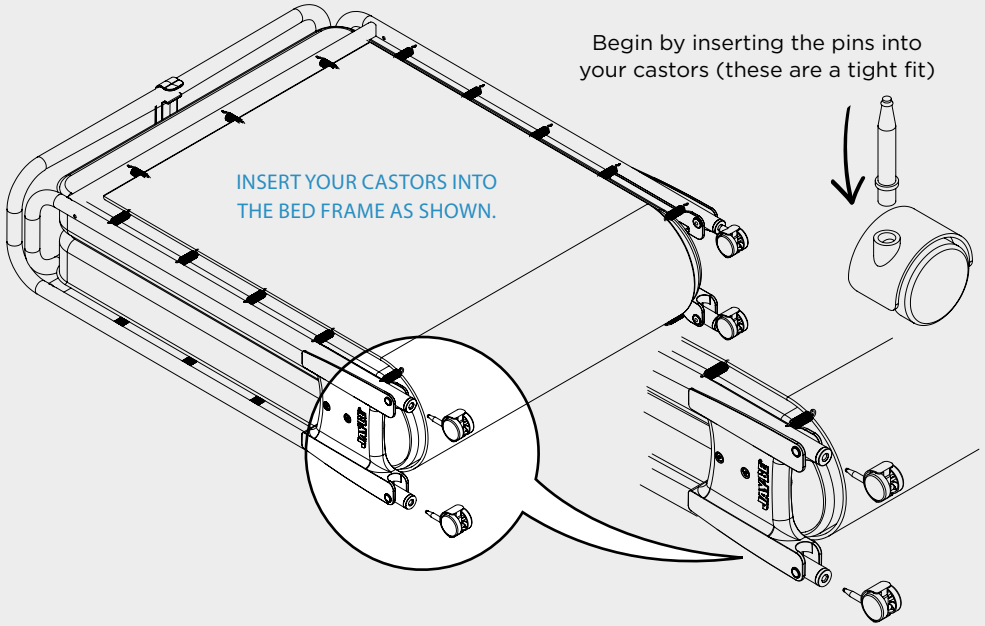
If you have problems assembling or have damaged or missing pieces, please contact us by visiting:

<https://www.happybeds.co.uk/customer-service>

Step 1 - Begin by fitting the castors

Begin by inserting the pins into your castors (these are a tight fit)

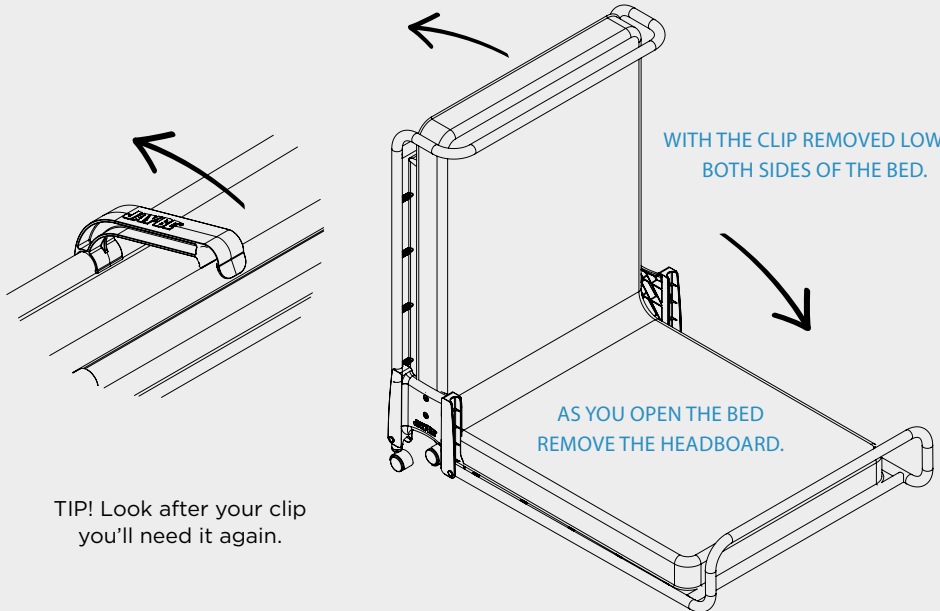
INSERT YOUR CASTORS INTO THE BED FRAME AS SHOWN.



Step 2 - Release clip and open

WITH THE CLIP REMOVED LOWER BOTH SIDES OF THE BED.

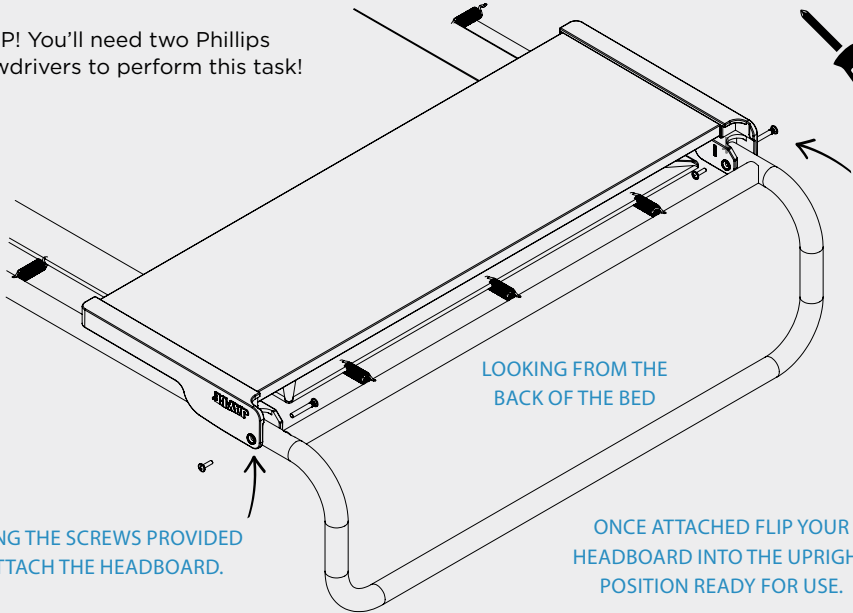
AS YOU OPEN THE BED REMOVE THE HEADBOARD.



TIP! Look after your clip you'll need it again.

Step 3 - Fix your headboard

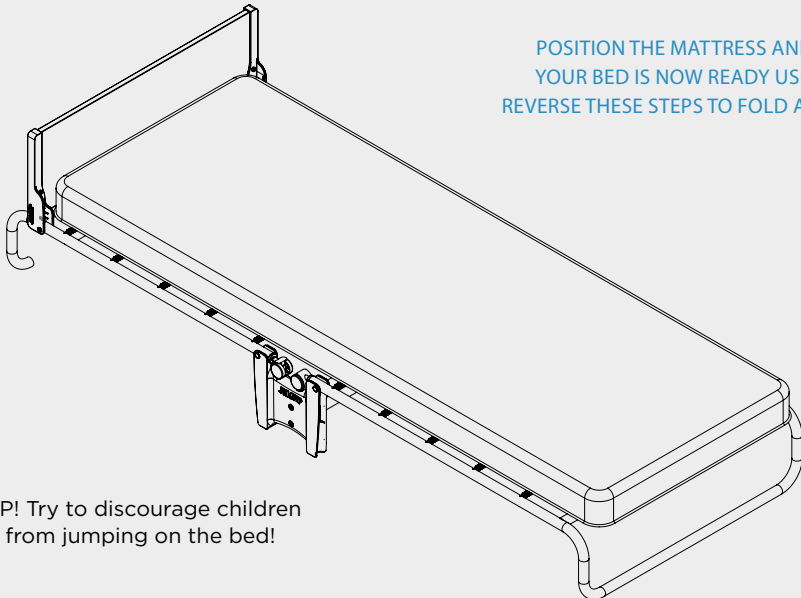
TIP! You'll need two Phillips screwdrivers to perform this task!



USING THE SCREWS PROVIDED ATTACH THE HEADBOARD.

ONCE ATTACHED FLIP YOUR HEADBOARD INTO THE UPRIGHT POSITION READY FOR USE.

Step 4 - Your bed is now ready for use



POSITION THE MATTRESS AND YOUR BED IS NOW READY USE. REVERSE THESE STEPS TO FOLD AWAY.

TIP! Try to discourage children from jumping on the bed!

Please dispose of all packaging safely.

General Care & Maintenance

Wipe clean with a slightly damp cloth.
Avoid the use of all household cleaners and abrasives.

Periodically check all screw & fixings to ensure they are secure.
When moving your product, carefully lift into place. Never drag or push the product across the floor as this will cause damage to the joints. If the product is used on hard flooring, such as wood or laminated floor, you must place some protection under the legs to stop the product from moving. If this is not adhered to, it could result in failure to the product that will invalidate the warranty.

For more information on cleaning and product care visit:
<https://www.happybeds.co.uk/help-and-advice>

Notes

We've tried to make this product as easy to assemble as possible. In the unlikely event that you have problems putting it together or have damaged or missing pieces, please contact us by visiting:

<https://www.happybeds.co.uk/customer-service>



www.happybeds.co.uk

