



## Assembly Instructions

### Important before assembly:

Read these instructions carefully before assembling or using the product.

Please check the contents of the boxes before attempting to assemble this product. The instructions will have a checklist of parts and fittings.

Assemble the product as close to its intended final location/room as possible.

### Health & Safety:

This product or some parts of this product will be heavy. Please use an assistant when lifting.

Please keep small parts out of reach of children.

Always use on a level, even surface.

DO NOT jump on the product or any of its parts.

DO NOT use this product if any parts are missing, damaged or worn.

DO NOT use this product unless all fixings are secured.

**Further instructions are on the following pages.**

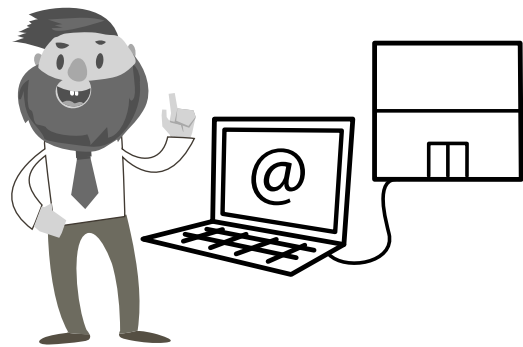
Please keep these instructions for future reference.



This product or some parts of this product will be heavy. Please use an assistant when lifting.



Never drag or push the pieces across a hard or stone floor as this will cause damage to the joints. Use a carpet or a rug for extra care.



If you have problems assembling or have damaged or missing pieces, please contact our customer services (details at the back of these instructions)

## ASSEMBLY INSTRUCTIONS 180cm JESPER SPINDLE BED

**IMPORTANT :** READ THESE INSTRUCTIONS CAREFULLY BEFORE ATTEMPTING TO ASSEMBLE OR USE YOUR 180CM JESPER SPINDLE BED.

PLEASE KEEP THESE INSTRUCTIONS FOR FUTURE REFERENCE.

### ASSEMBLY:

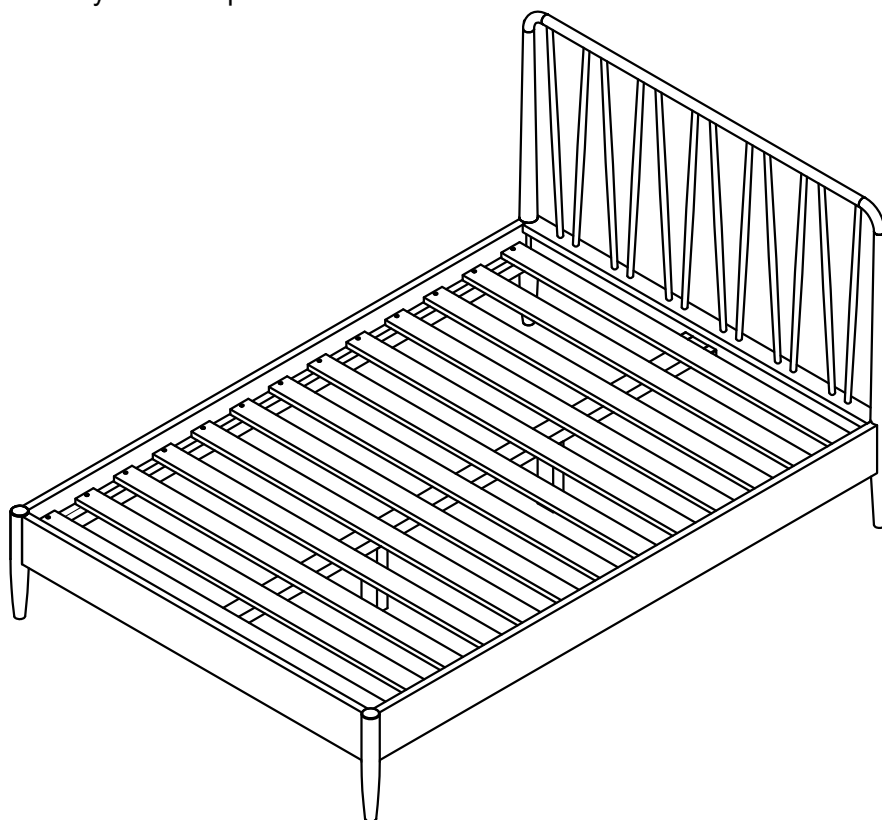
Assembly should be carried out with this item laying flat, not standing upright.  
Assemble on a soft, clean surface to prevent damages.

### HEALTH & SAFETY:

DO NOT use this product if any parts are missing, damaged or worn.  
DO NOT use this product unless all fixings are secured.  
Always use on a level, even surface.

### CARE & MAINTENANCE:

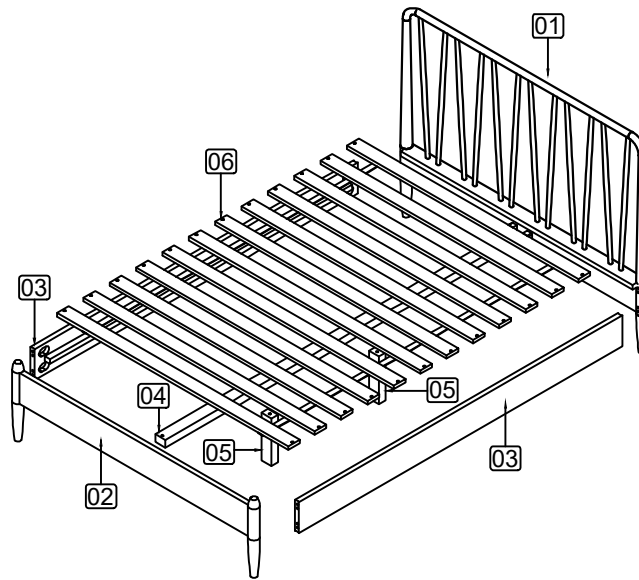
Periodically check all screws & fixings to ensure they are secure.  
DO NOT push this product as this will cause damage.  
Always lift this product with two people to repositions.  
Keep any sharp objects away from this product.



**Birlea**  
Suppliers of inspiration

[www.birlea.com](http://www.birlea.com)

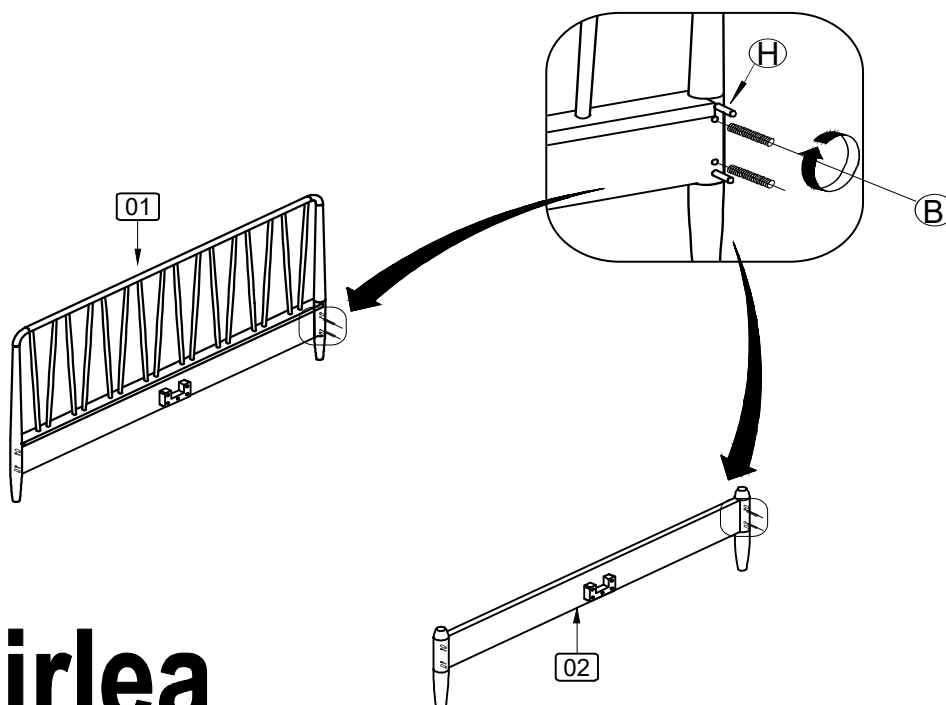
Page 1 of 5



Part List				Hardware List(Box-2)			
Part	Description	Box	QTY	Part	Description		QTY
01	Headboard	1	1	A	Bolt		2
02	Footboard	1	1	B	Guide Screw		8
03	Siderails	2	2	C	Plastic Washer		8
04	Centre Rail	2	1	D	Spring Washer		8
05	Support Legs	1	2	E	Flat Washer		8
06	Slats	1	1 Set	F	Allen Key		1
				G	Screws		28
				H	Wooden Dowel		8
				I	M10# Spanner		1
				K	M6 Nuts		1

**\*\* You will need a screwdriver for assembly.**

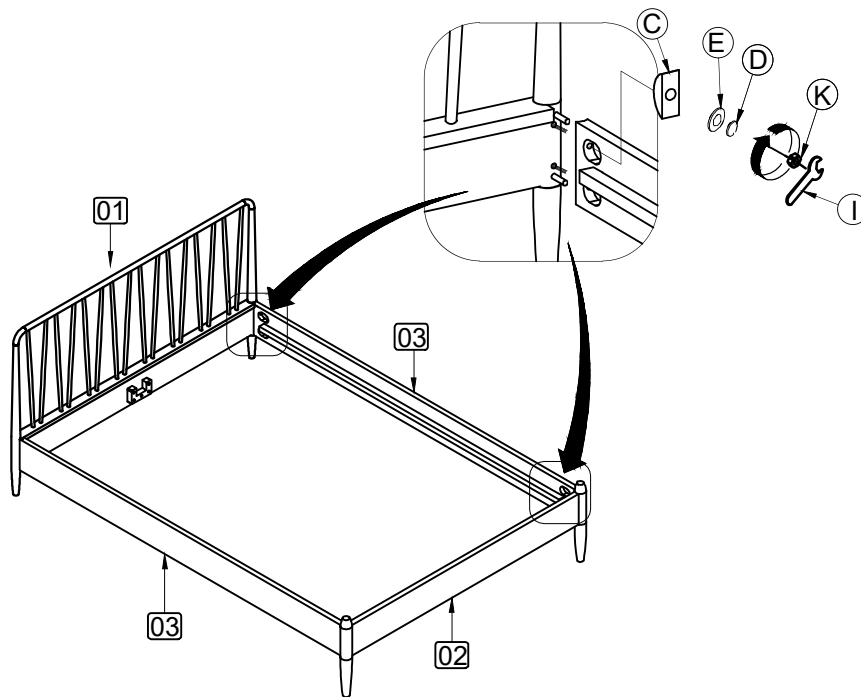
**STEP 1** Attach the hardware part B&H to Headboard(01) and footboard(02)  
**DO NOT** use any power tools as this may damage the frame and will invalidate any claim.



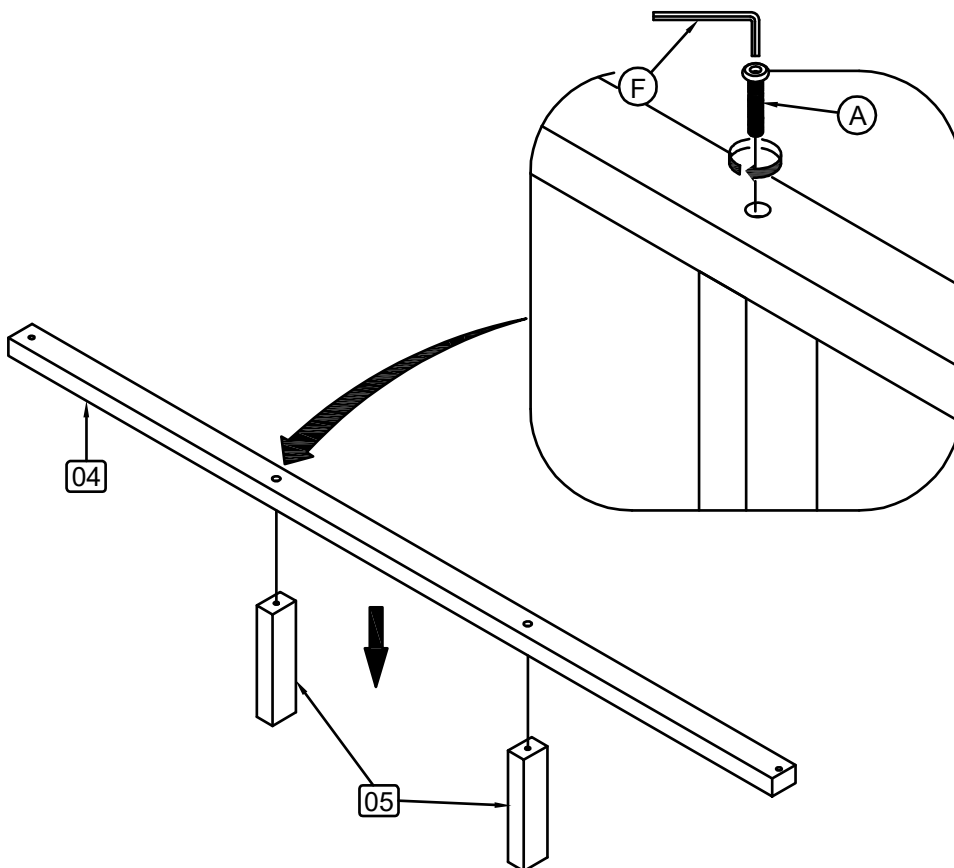
**Birlea**  
 Suppliers of inspiration

www.birlea.com

**STEP 2** Use Spanner(I) fix the Siderails(03) together with Headboard(01)&Footboard(02) by Hardware C,E,D,K.  
**DO NOT** use any power tools as this may damage the frame and will invalidate any claim.



**STEP 3** Attach Support legs(05) to Centre Panel(04) using Hardware F,A.  
**DO NOT** use any power tools as this may damage the frame and will invalidate any claim.

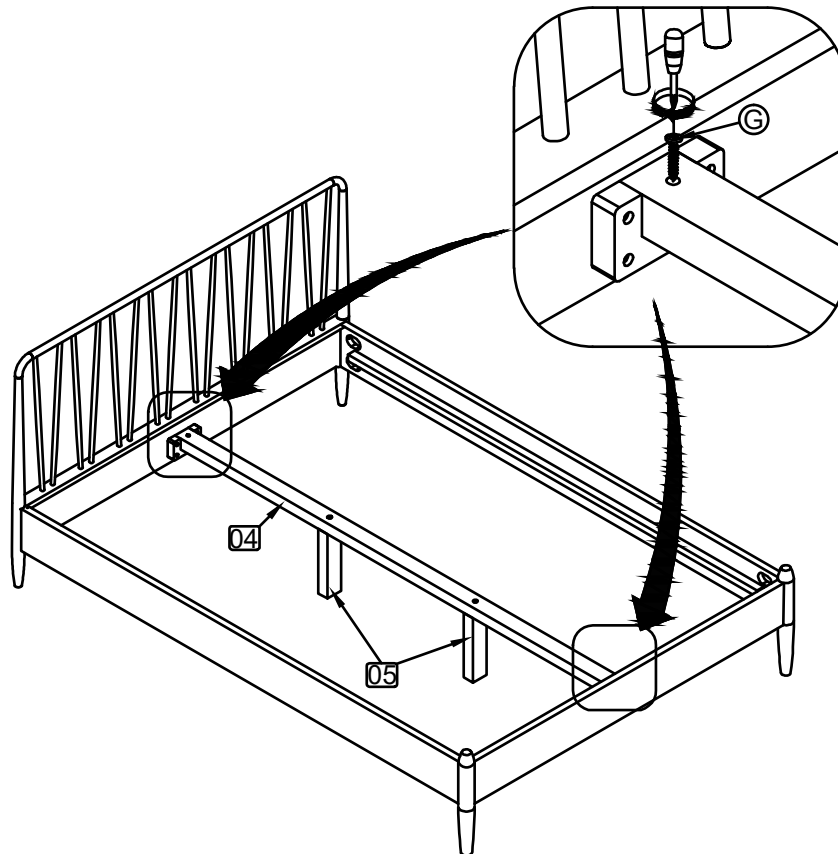


**Birlea**  
Suppliers of inspiration

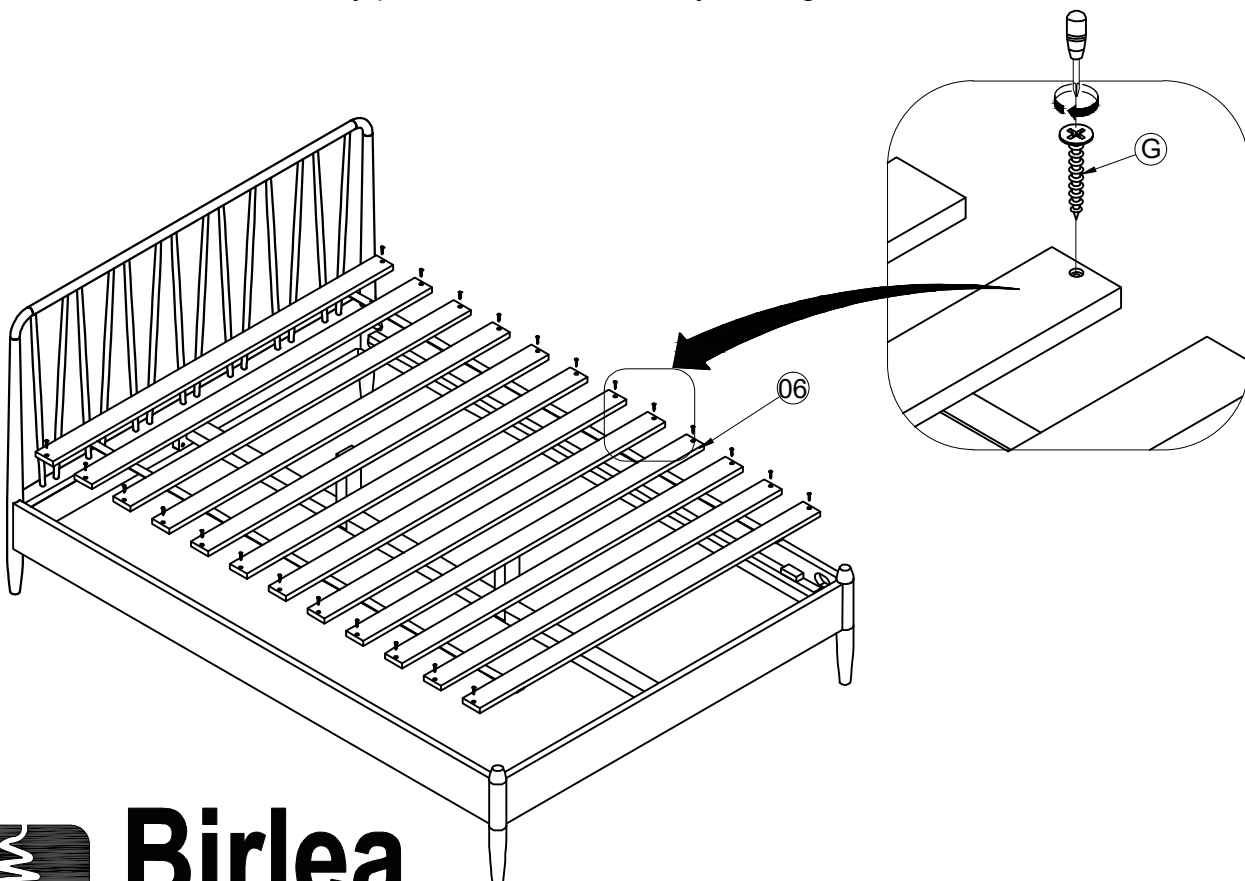
[www.birlea.com](http://www.birlea.com)

Page 3 of 5

**STEP 4** Attach the Centre panel (04) to Headboard(01)&Footboard(02) by Hardware(G) with a screwdriver(not provided).  
**DO NOT** sue any power tools as this may damage the frame and will invalidate any claim.



**STEP 5** Attach the Slats(06) to Siderails(03) by Hardware(G) with a screwdriver(not provided).  
**DO NOT** sue any power tools as this may damage the frame and will invalidate any claim.



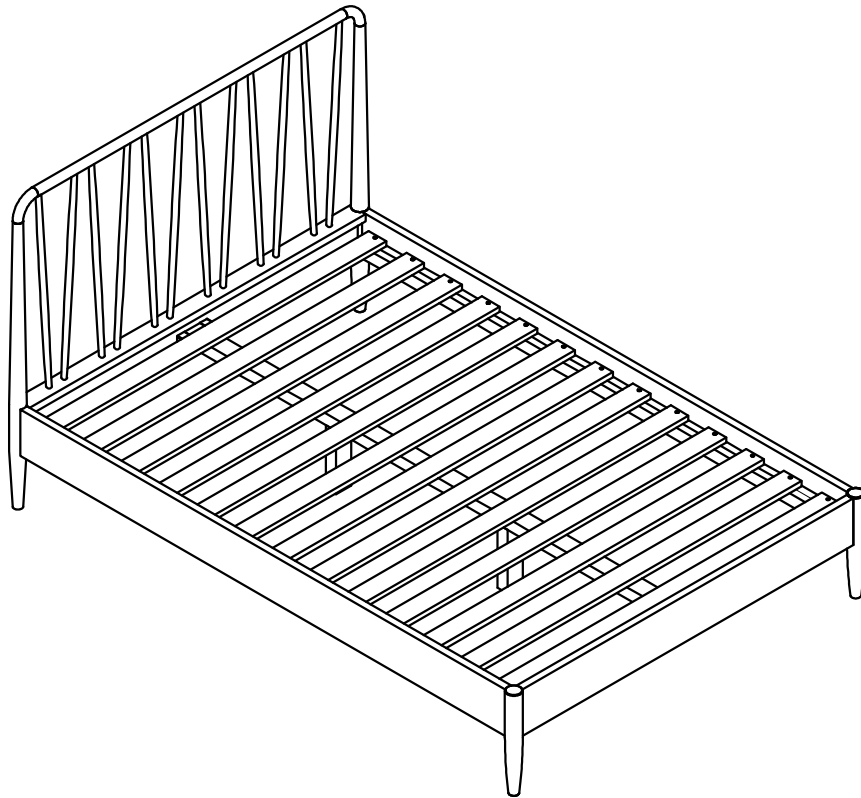
**Birlea**

Suppliers of inspiration

[www.birlea.com](http://www.birlea.com)

Page 4 of 5

**FINISHED**



**Additional Information:**

- For complete product information, and dimension diagrams please visit the website [www.birlea.com](http://www.birlea.com)
- If you have any issues with your item please contact the retailer directly you purchased it from who will be able to resolve any issues with Birlea.
- Why don't you send us photos of your assembled furniture to [info@birlea.com](mailto:info@birlea.com) to be shared our #birleahome feature on instagram.



**Birlea**

Suppliers of inspiration

[www.birlea.com](http://www.birlea.com)

Please dispose of all packaging safely.

## General Care & Maintenance

Wipe clean with a slightly damp cloth.  
Avoid the use of all household cleaners and abrasives.

Periodically check all screw & fixings to ensure they are secure.

When moving your product, carefully lift into place. Never drag or push the product across the floor as this will cause damage to the joints. If the product is used on hard flooring, such as wood or laminated floor, you must place some protection under the legs to stop the product from moving. If this is not adhered to, it could result in failure to the product that will invalidate the warranty.

For more information on cleaning and product care visit:  
<https://www.happybeds.co.uk/help-and-advice>

## Notes

In the unlikely event that you have problems putting this product together or have damaged or missing parts, please contact us by visiting:  
<https://www.happybeds.co.uk/customer-service>