



Assembly Instructions

Kudl White Wooden 3FT Day Bed and Trundle



Important before assembly:

Read these instructions carefully before assembling or using the product.

Please check the contents of the boxes before attempting to assemble this product. The instructions will have a checklist of parts and fittings.

It would be sensible to lay a rug or a carpet on the floor where you intend to assemble the product, to avoid scratches and damaging the product or the floor.

Assemble the product as close to its intended final location/room as possible.

Do NOT use any power tools as this may damage the frame.

Health & Safety:

This product or some parts of this product will be heavy. Please use an assistant when lifting.

Please keep small parts out of reach of children.

Always use on a level, even surface.

DO NOT jump on the product or any of its parts.

DO NOT use this product if any parts are missing, damaged or worn.

DO NOT use this product unless all fixings are secured.

Please keep these instructions for future reference.



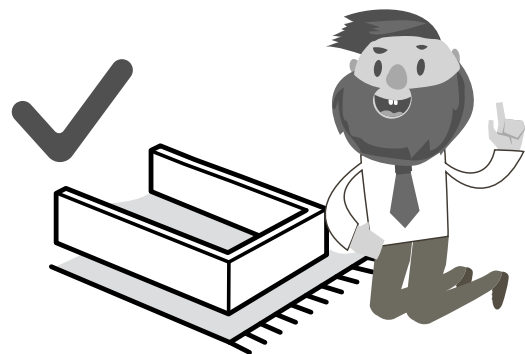
(Not metal)

These tools are not necessary, but may help to assemble certain parts of the product.

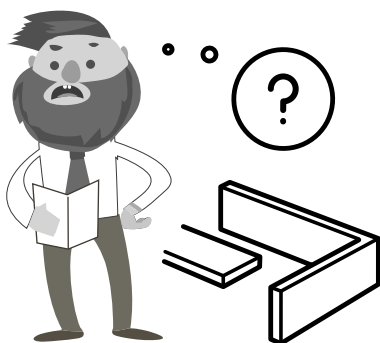
Do NOT use any power tools as this may damage the frame.



This product or some parts of this product will be heavy. Please use an assistant when lifting.

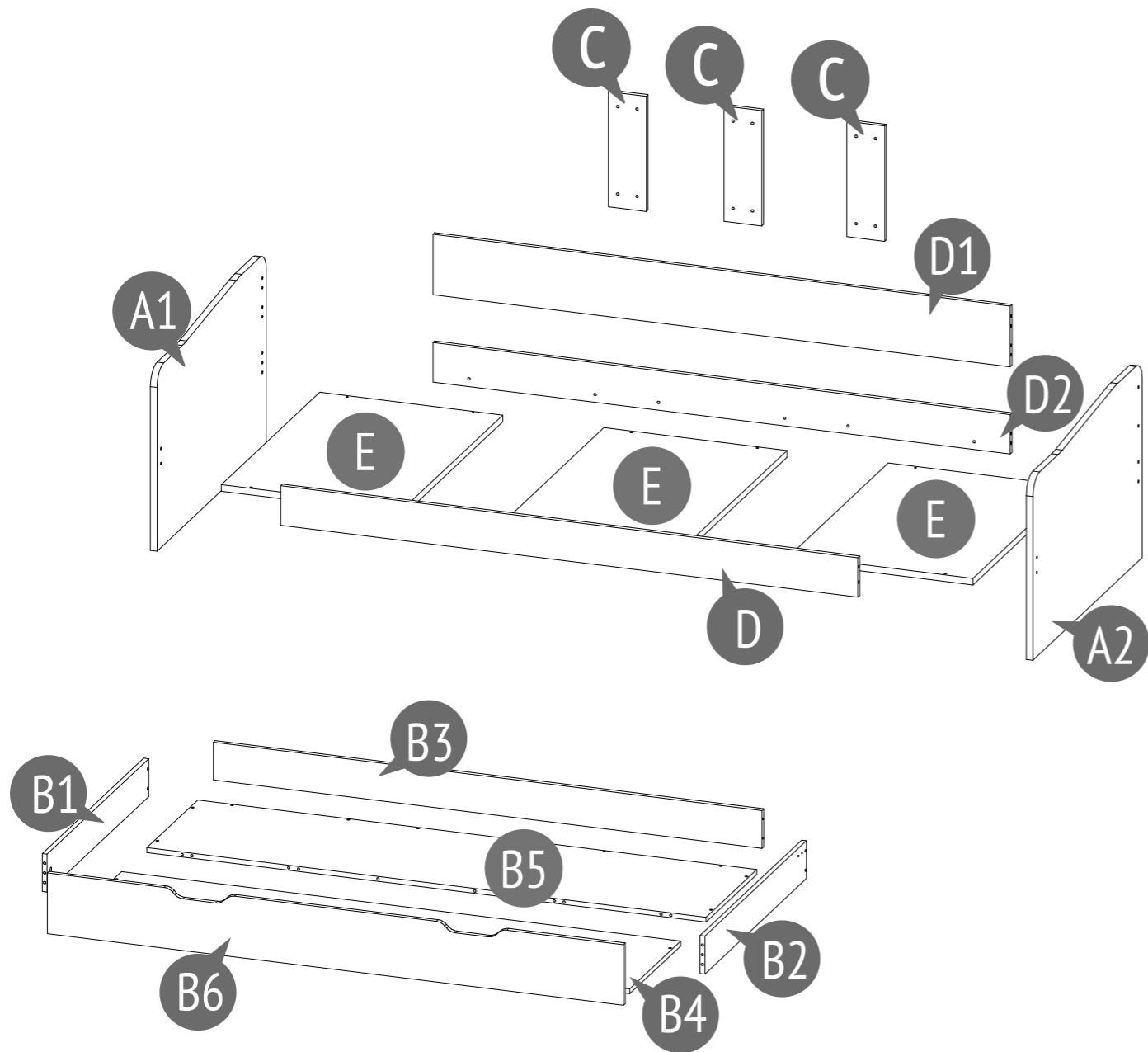


Never drag or push the pieces across a hard or stone floor as this will cause damage to the joints. Use a carpet or a rug for extra care.

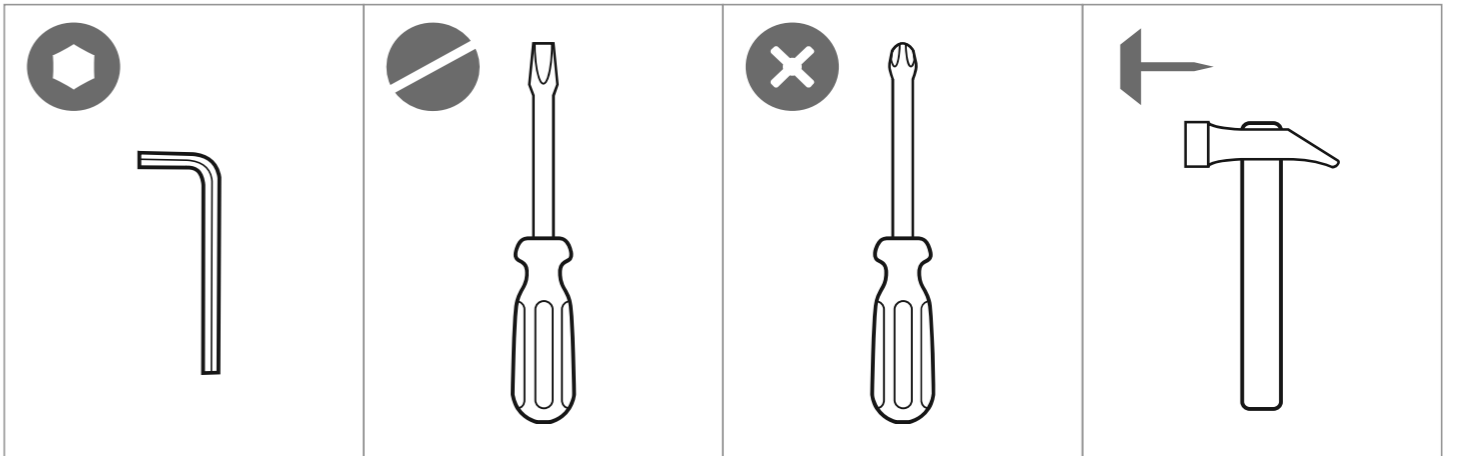


If you have problems assembling or have damaged or missing pieces, please contact us by visiting:

<https://www.happybeds.co.uk/customer-service>





Number on the picture Nummer in der Zeichnung Nombre à la figure Numero en el dibujo Il numero alla figura Número na figura	Number of parts in the product Stückzahl der Teile im Produkt Nombre des détails du produit Cantidad de elementos del producto La quantità dei dettagli nel prodotto Quantidade de peças	Parts description Bezeichnung Names des pièces	Nombre de los elementos La nomenclazione dei dettagli Designação das peças	Laying Verpackung Pose				El embalaje Posa Estilo			
				Box / Karton / Placer / Lugar / Il posto / Espaço							
				1	2	3	4	1	2	3	4
A1	1	Left bed's back Kopfteil Jugendbett links Tête du lit gauche El cabecero izquierdo	La spalliera del letto sinistra Cabeceira de cama esquerda	+							
A2	1	Right bed's back Kopfteil Jugendbett rechts Tête du lit droite El cabecero derecho	La spalliera del letto destra Cabeceira de cama direita	+							
C	3	Additional bar Auflageleiste Barre La barra	La barretta Barra						+		
D	1	Supporting bed's side Umboseite Jugendbett Support latéral du tiroir El soporte	Il longone dell'appoggio Barra de apoio							+	
D1	1	Supporting bed's side Umboseite Jugendbett Support latéral du tiroir El soporte	Il longone dell'appoggio Barra de apoio							+	
D2	1	Supporting bed's side Umboseite Jugendbett Support latéral du tiroir El soporte	Il longone dell'appoggio Barra de apoio							+	
E	3	Horizontal bar Horizontale Block Barre horizontale Basis blok	La barra orizzontale Barra orizzontale Barra horizontal					+			
B1	1	The left side wall of the drawer Die linke Seitenwand der Schublade Paroi latérale du tiroir gauche Pared lateral izquierda del cajón	La parete sinistra a fianco del cassetto Pared lateral da gaveta esquerda								+
B2	1	The right side wall of the drawer Die rechte Seitenwand der Schublade Paroi latérale du tiroir droit Pared lateral derecha del cajón	La parete destra a fianco del cassetto Pared lateral da gaveta direita								+
B3	1	The rear wall of the drawer Schubladenrückwand Paroi arrière du tiroir La pared trasera del cajón	La parete posteriore del cassetto Pared traseira da gaveta								+
B4	1	Drawer bottom Schubladenboden Fond du tiroir El fondo del cajón	Il fondo del cassetto Fundo da gaveta								+
B5	1	Drawer bottom Schubladenboden Fond du tiroir El fondo del cajón	Il fondo del cassetto Fundo da gaveta								+
B6	1	Drawer front Schubladenfront Façade du tiroir La fachada del cajón	La facciata del cassetto Fachada da gaveta								+
	1	Set of fittings Satz Beschläge Kit d'accessoires Conjunto de los accesorios	Il completo della forniture Kit de ferragens								+




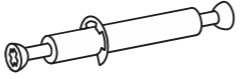
001 18x
 Conformat screw 7 x 50
 Conformat Schraube 7 x 50
 Conformate Schroef
 Vis confirmer 7 x 50
 El tornillo de rosca gruesa 7 x 50
 Il vito conformato 7 x 50
 Parafuso conformat 7 x 50


002 8x
 Eccentric pin
 Exzenterstift
 Stengel van excentriek
 Tige d'excentrique
 El pasador excéntrico
 La barra delle'centrico
 Rosca soberba


003 16x

 Eccentric
 Exzenter
 Excentriek
 Excentrique
 El excéntrico
 Le'centrico
 Tambor

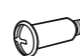
004 24x

 Dowel 8 x 30
 Holzdübel 8 x 30
 Pluggen 8x30
 Goujons 8 x 30
 La clavija 8 x 30
 La spina 8 x 30
 Cavilha 8 x 30

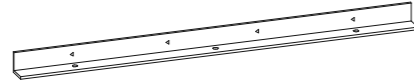
005 12x

 Screw M6 x 13
 Gewindeschraube M6 x 13
 Schroef M 6*13
 Vis M6 x 13
 La tuerca M6 x 13
 Il vito M6 x 13
 Parafuso M6 x 13

006 4x

 Eccentric screed rod, double
 Einschraubdübel des Exzenterbinders,
 mit Doppelhacken
 Excentrische stam, 2 haken
 Goujon d'excentrique double
 Vástago de la excéntrica de 2 garras
 Asta dell'excéntrico a due vie
 Haste de excéntrica de 2 garras

007 12x

 Screw connection 16mm
 Schraubverbindung 16mm
 Ronde moer 16 mm
 Connexion à vis 16mm
 Conexión de tornillos 16mm
 Viti di collegamento 16mm
 Ligaçao de parafusos 16mm

008 12x

 Screw M6 x 60
 Gewindeschraube M6 x 60
 Schroef M6x60
 Vis M6 x 60
 La tuerca M6 x 60
 Il vito M6 x 60
 Parafuso M6 x 60


009 12x

 Screw connection
 Schraubverbindung
 Koppeling
 Connexion à vis
 Conexión de tornillos
 Viti di collegamento
 Ligaçao de parafusos


010 2x



Mount the bottom of the bed
 Montieren Sie die Unterseite des Bettes
 Monteer de bodem van het bed
 Monter le fond du lit
 Monte la parte inferior de la cama
 Montare la parte inferiore del letto
 Montar o fundo da cama

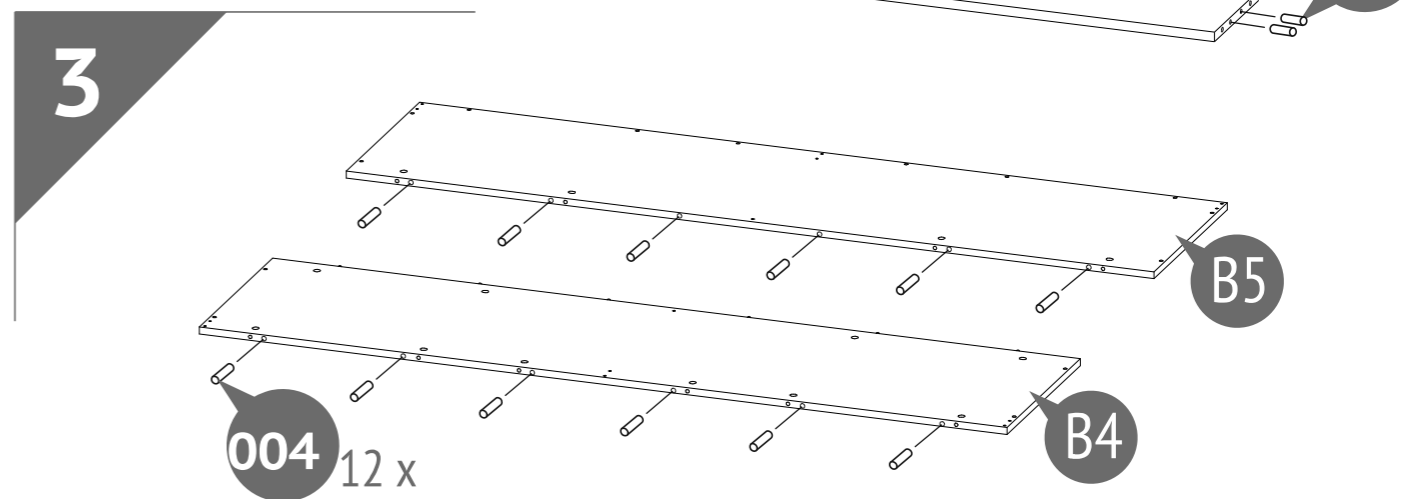
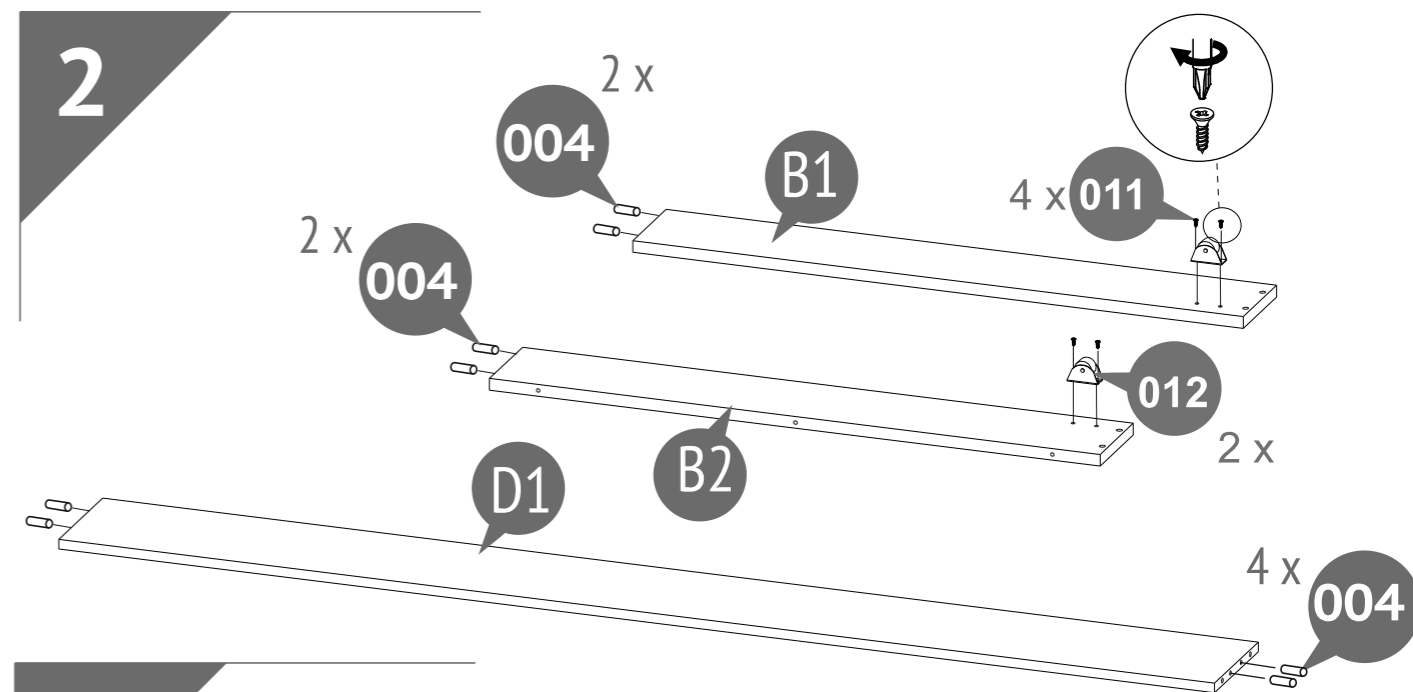
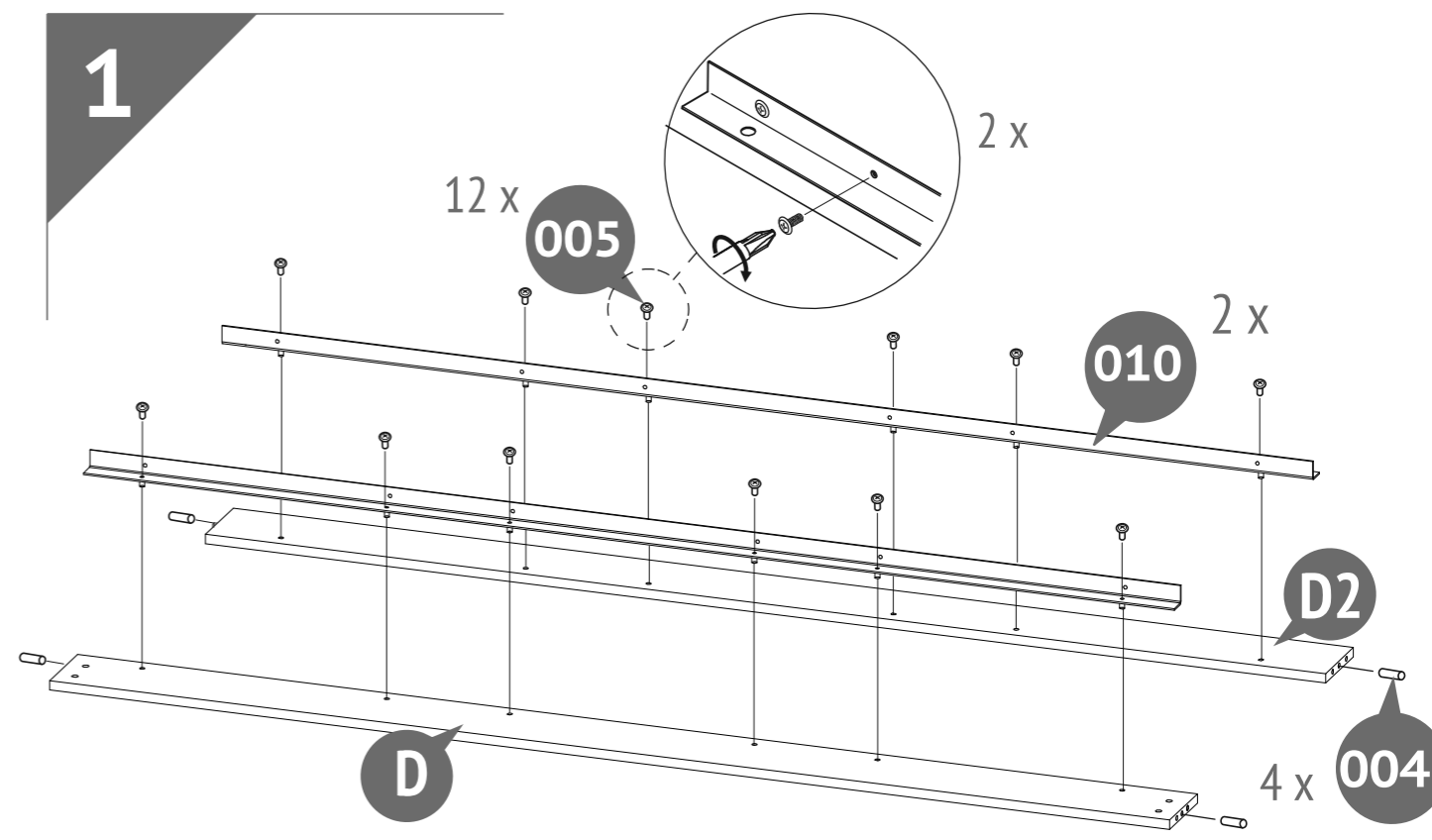
012 9x

 Foot
 Vierkant-Fuß
 Been
 Pieds
 Pierna
 Gamba
 Perna

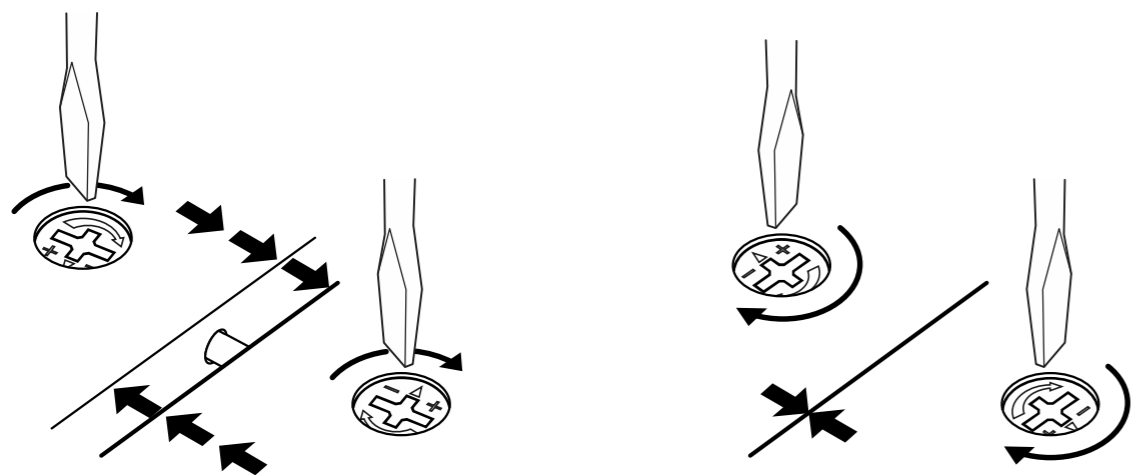
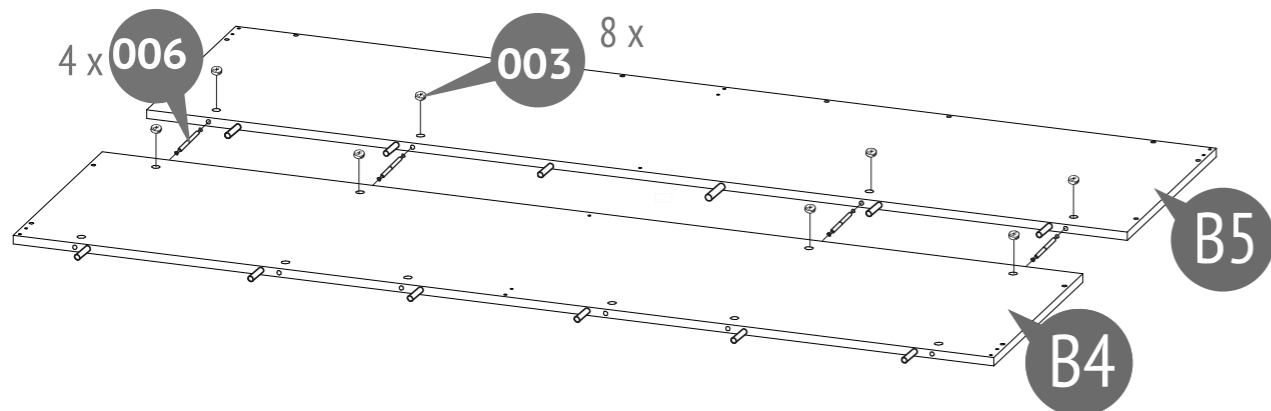
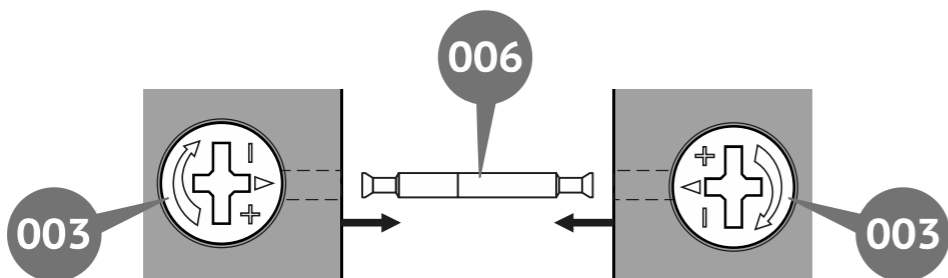
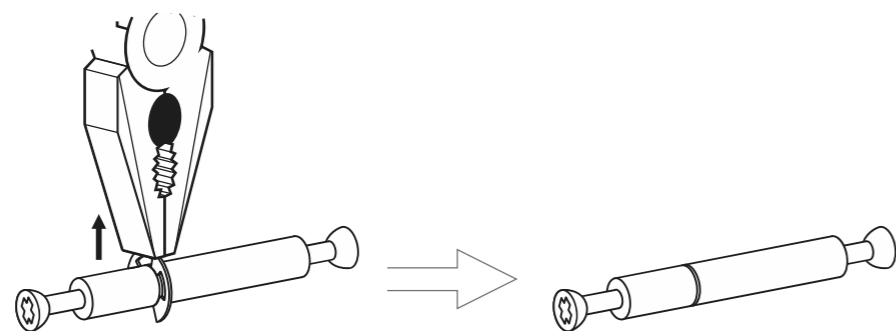
013 12x

 Screw M6 x 25
 Gewindeschraube M6 x 25
 Schroef M 6*25
 Vis M6 x 25
 La tuerca M6 x 25
 Il vito M6 x 25
 Parafuso M6 x 25

014 4x

 Toe nail
 Fußgleiter mit Nagel
 Druklager met spijker Wit
 Patins avec clou
 El apoyo para el talón con el clavo
 La ralla con il chiodo
 O apoio para o calcanhar com o prego

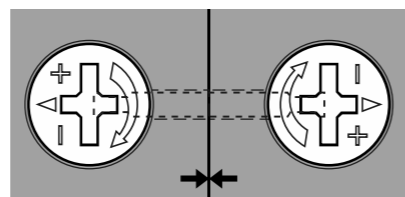
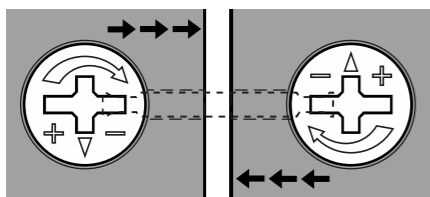
015 2x

 Shelf support
 Duplo-Bodenträger
 Plank ondersteuning
 Support d'étagère
 El soporte de estante
 Il supporto degli scaffali
 Suporte de prateleira



4

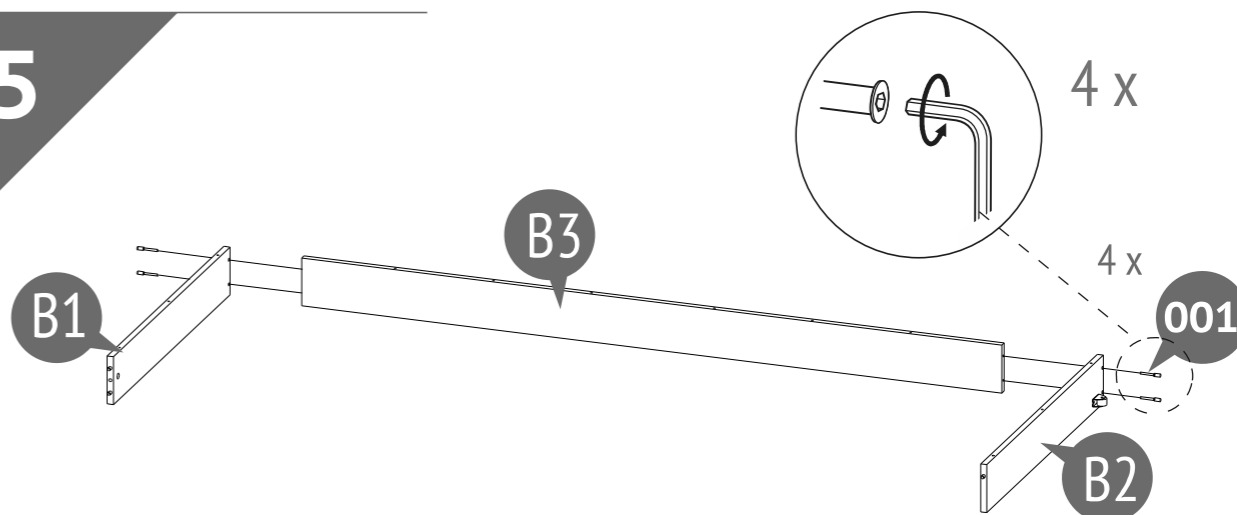


4x

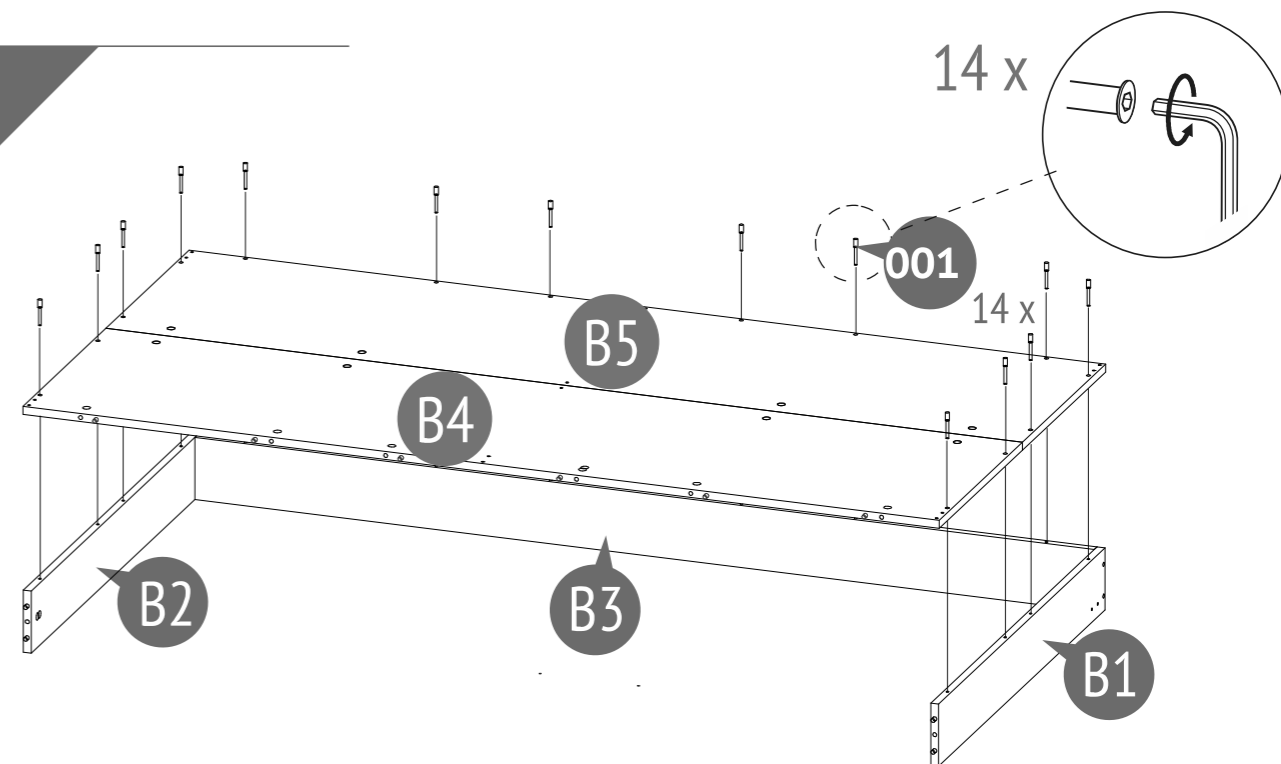


6

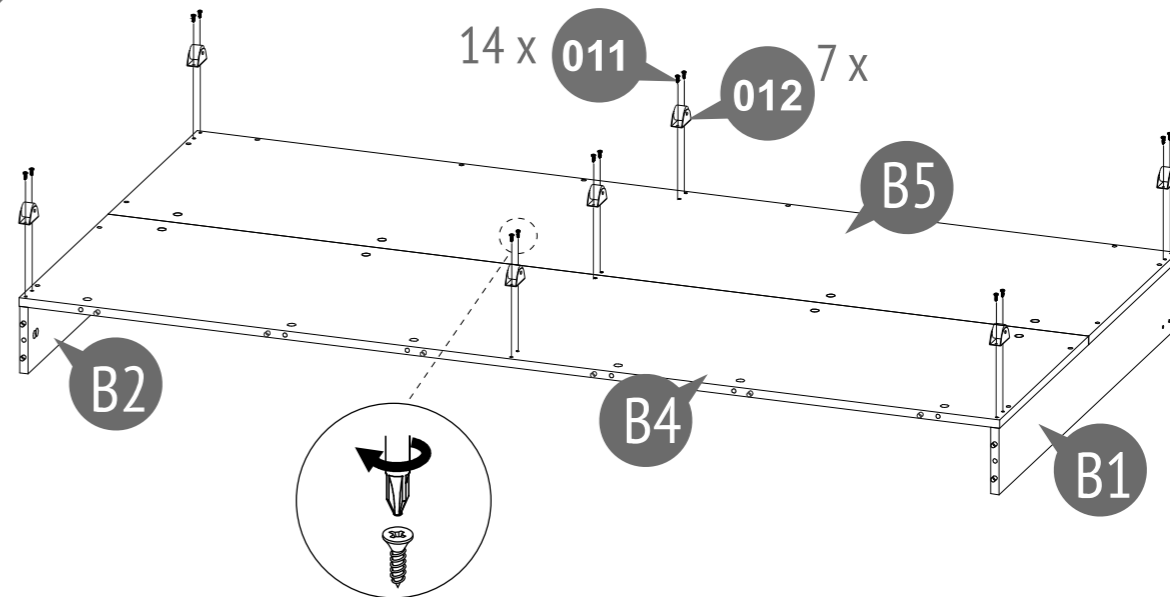
5



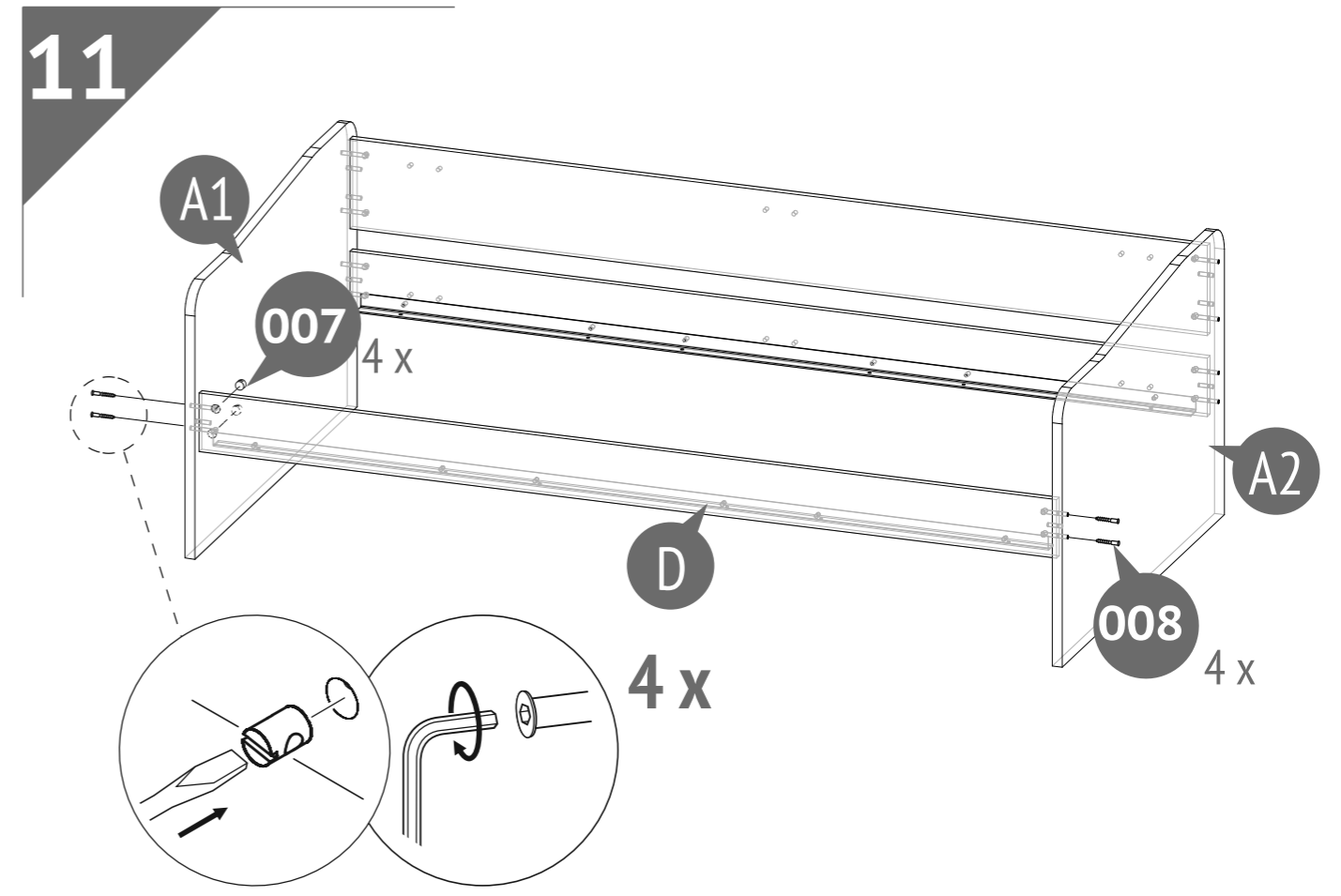
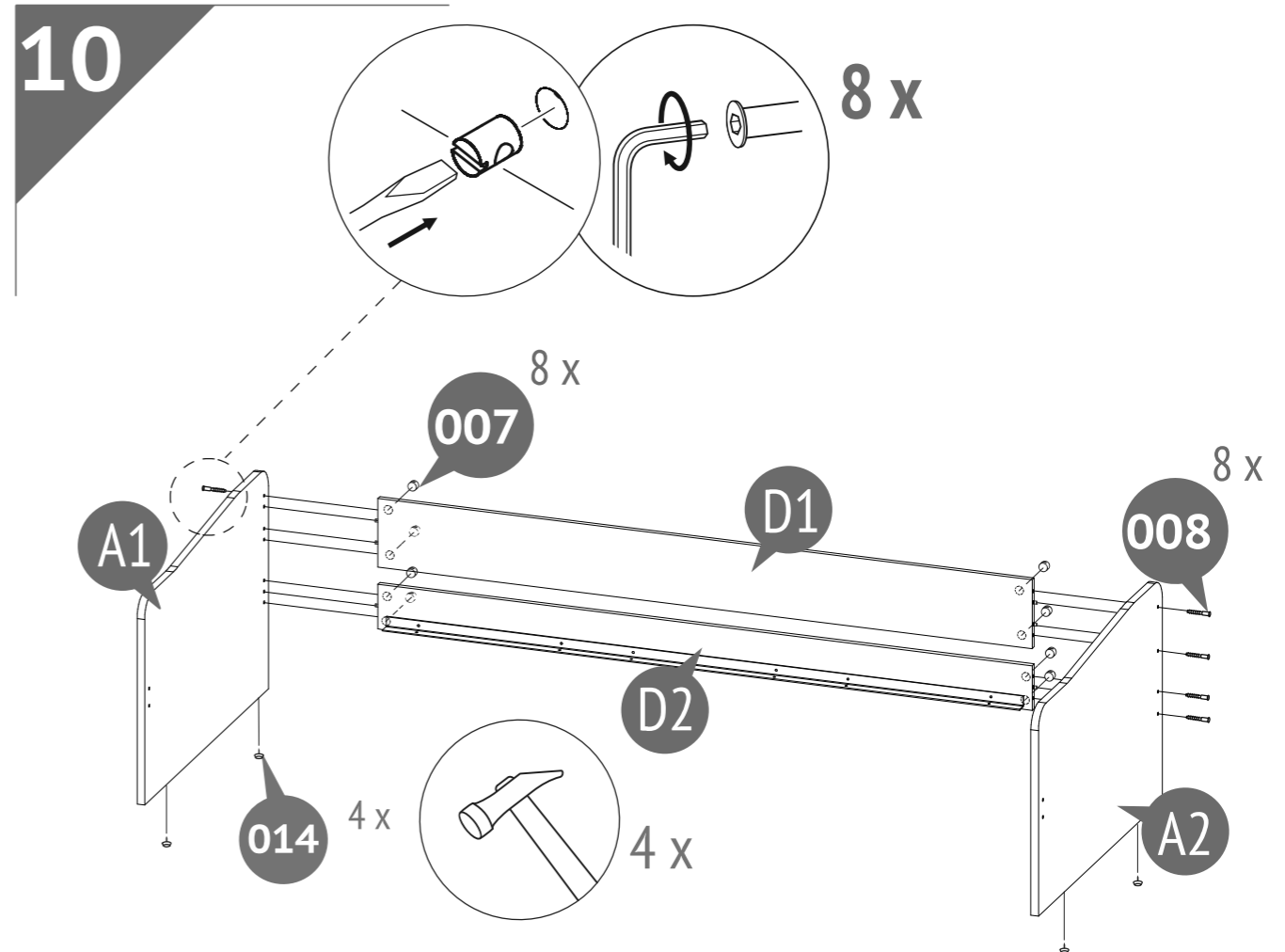
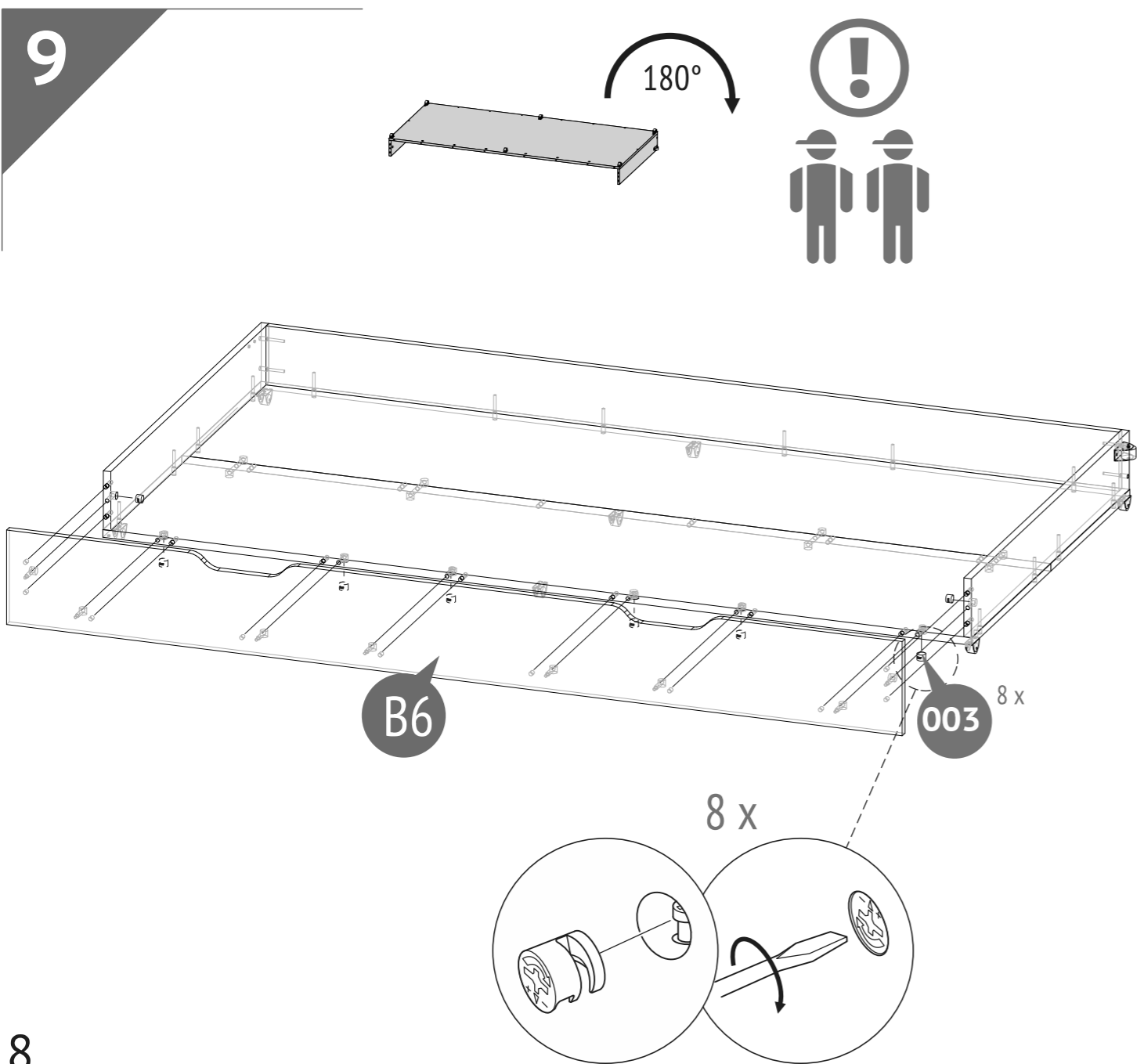
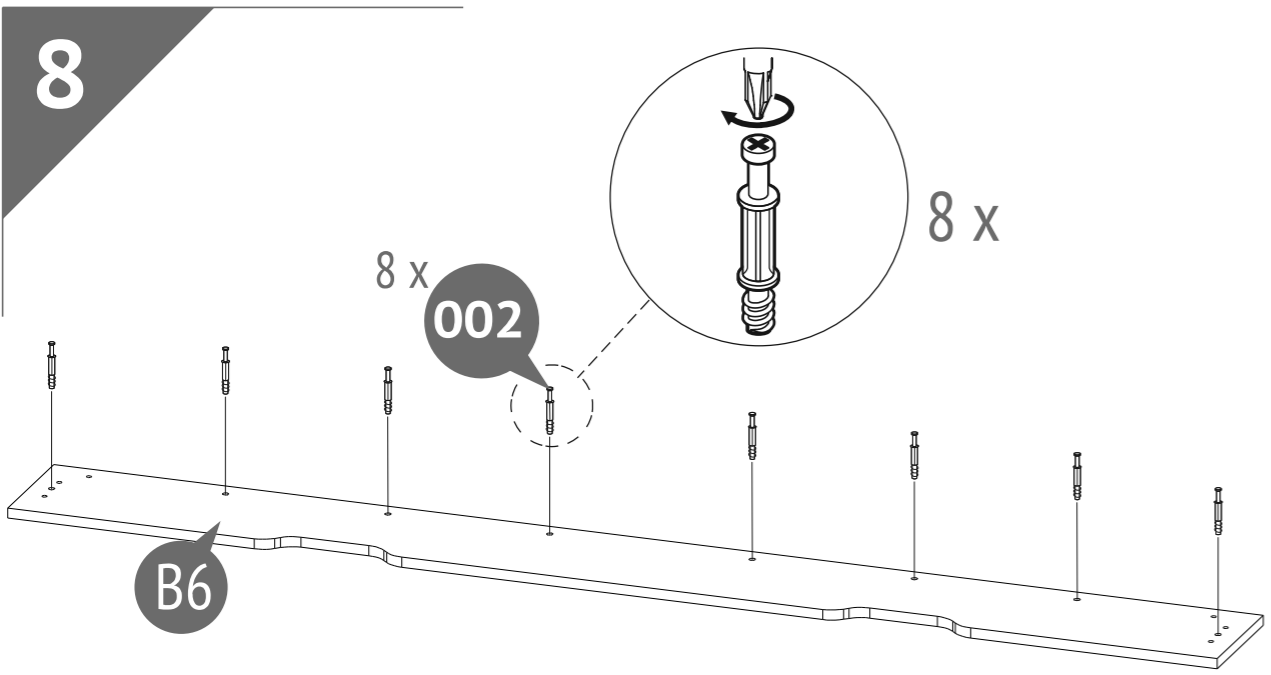
6



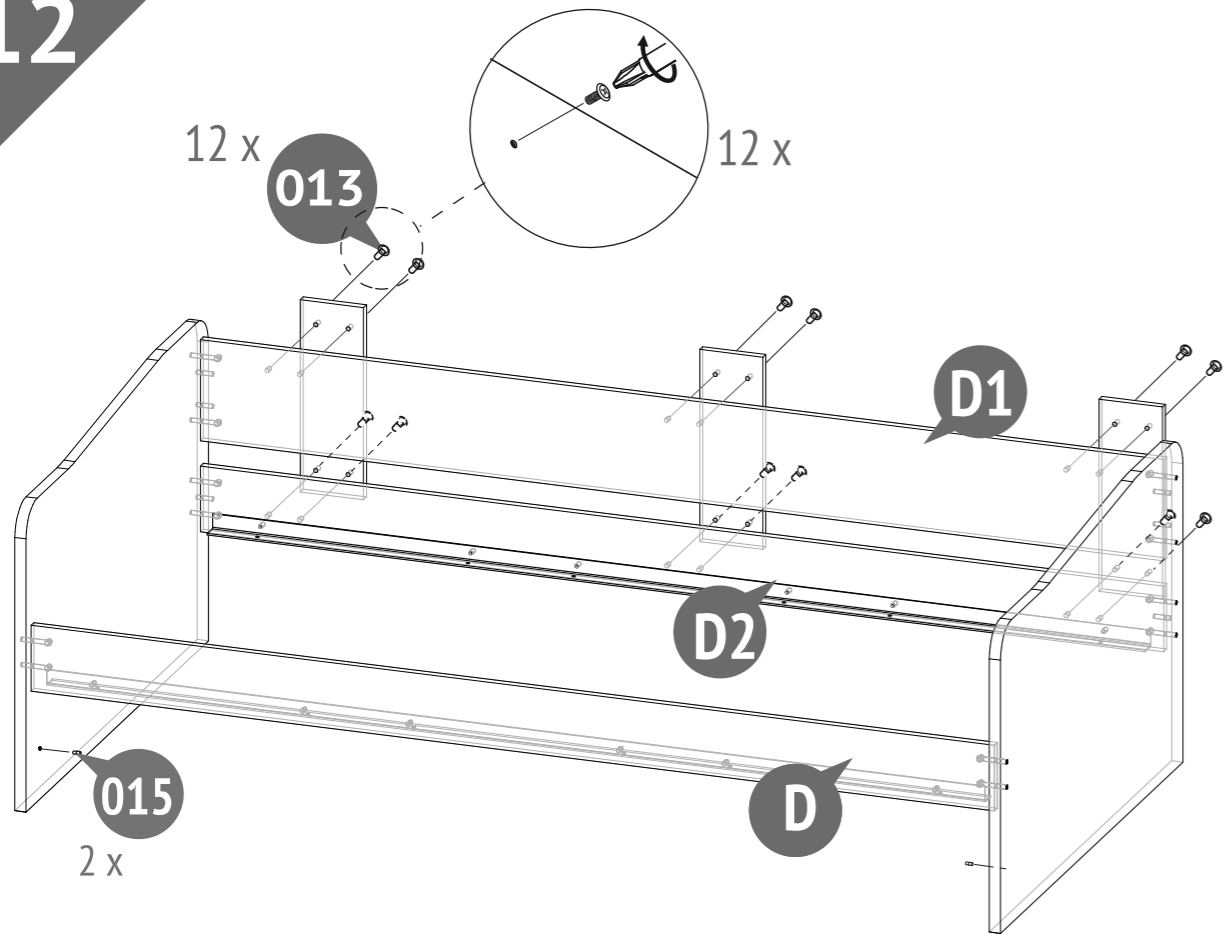
7



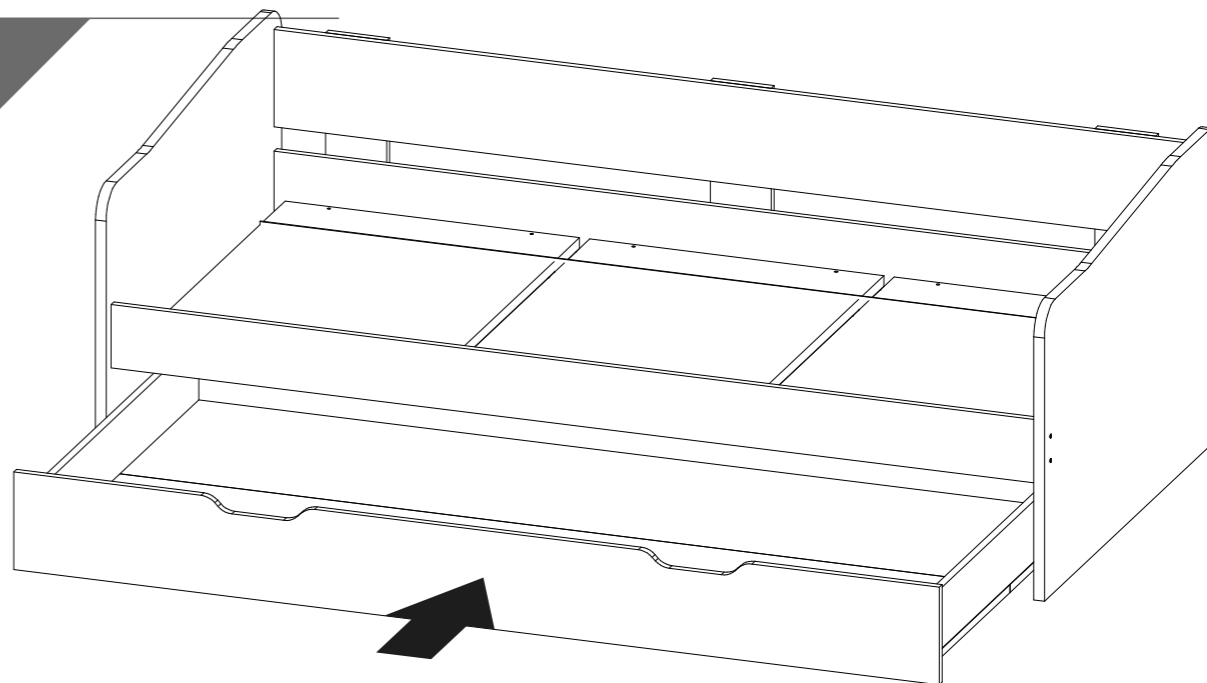
7



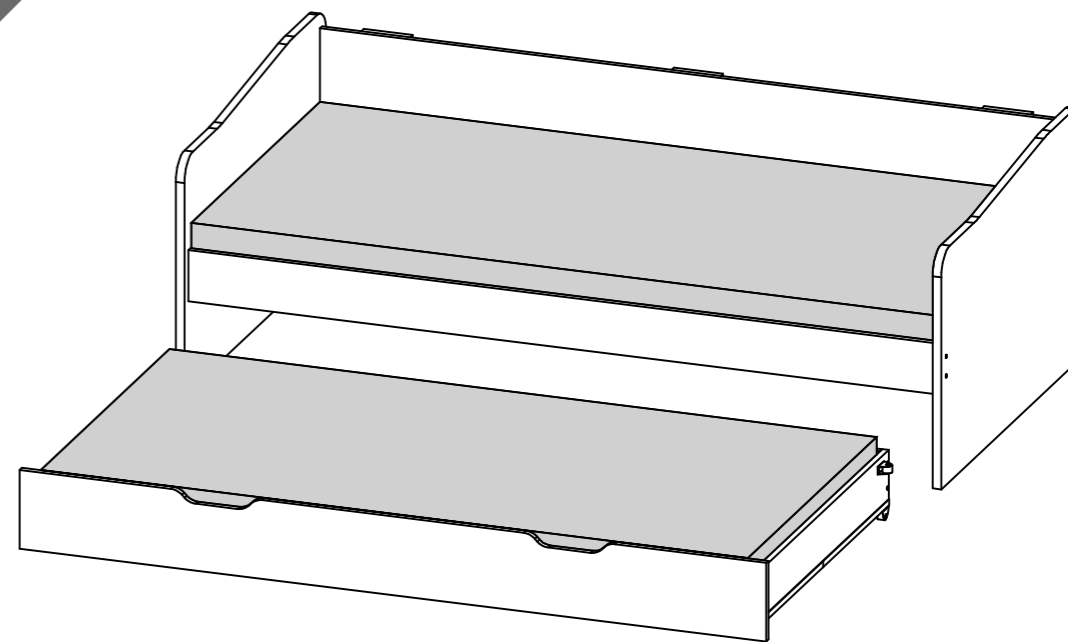
12



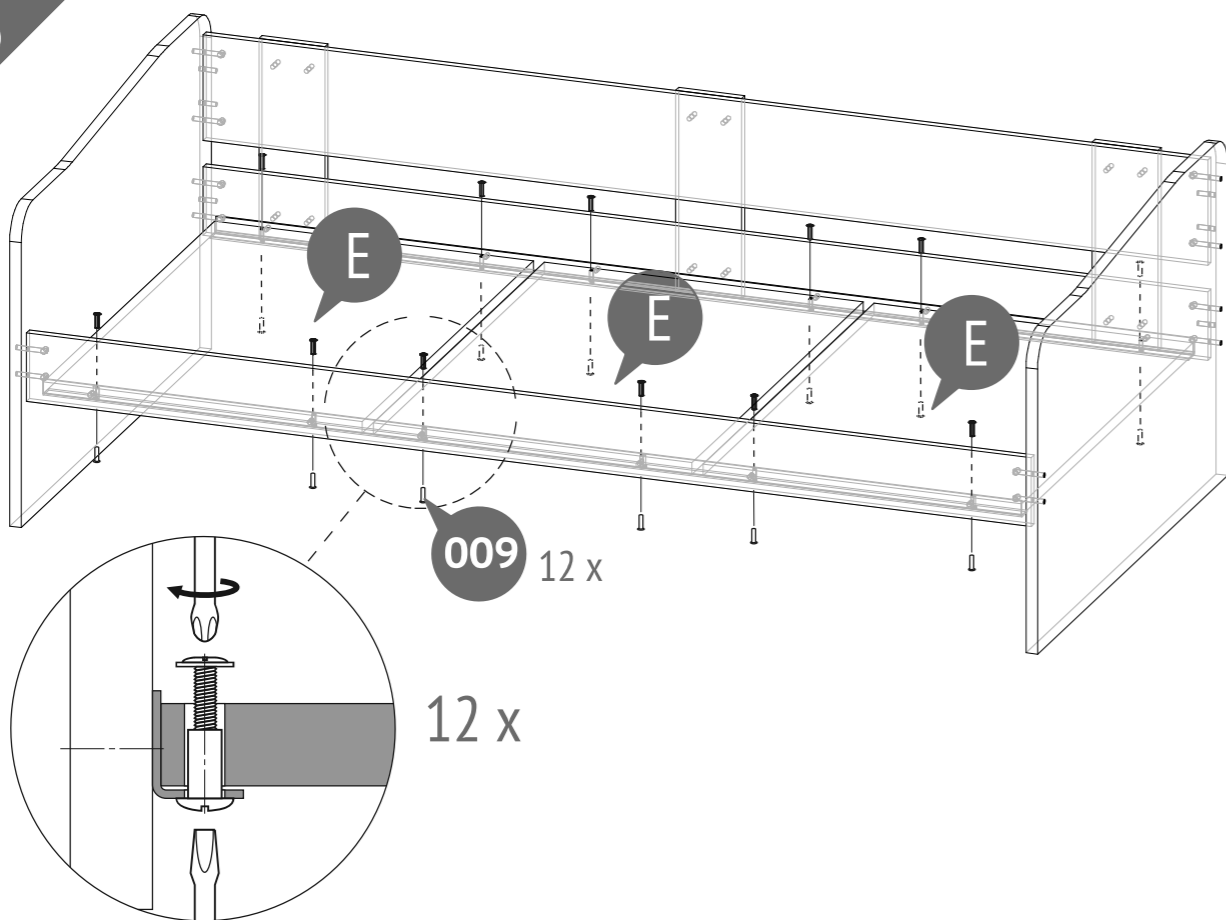
14



15



13



10

Please dispose of all packaging safely.

General Care & Maintenance

Wipe clean with a slightly damp cloth.
Avoid the use of all household cleaners and abrasives.

Periodically check all screw & fixings to ensure they are secure.
When moving your product, carefully lift into place. Never drag or push the product across the floor as this will cause damage to the joints. If the product is used on hard flooring, such as wood or laminated floor, you must place some protection under the legs to stop the product from moving. If this is not adhered to, it could result in failure to the product that will invalidate the warranty.

For more information on cleaning and product care visit:
<https://www.happybeds.co.uk/help-and-advice>

Notes

We've tried to make this product as easy to assemble as possible. In the unlikely event that you have problems putting it together or have damaged or missing pieces, please contact us by visiting:

<https://www.happybeds.co.uk/customer-service>



www.happybeds.co.uk

