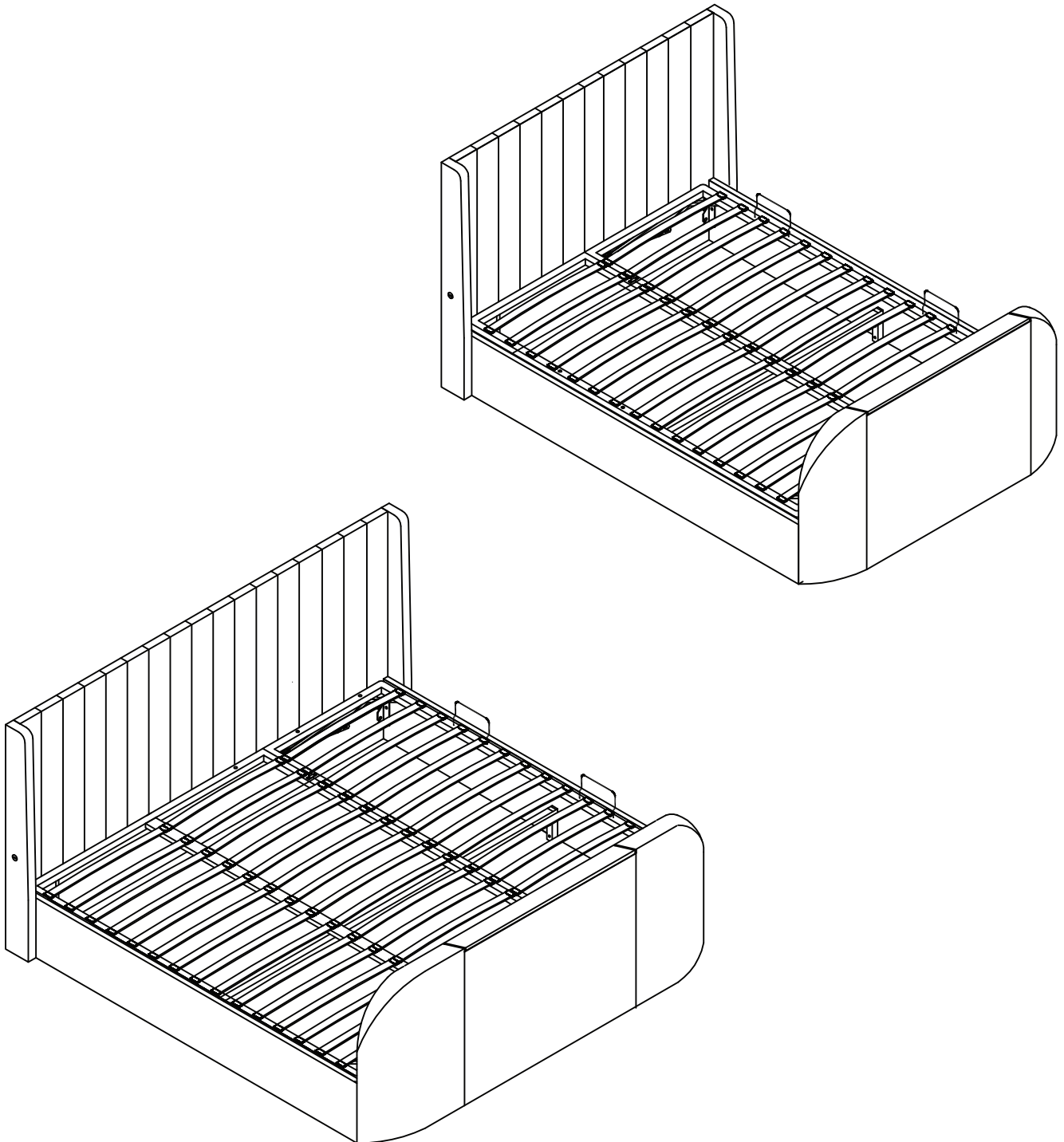


Happy beds™

www.happybeds.co.uk

Assembly Instructions

Luther Ottoman TV Bed



Happy beds™

www.happybeds.co.uk

Thank you for purchasing with Happy Beds!

Important before assembly:

Please read these instructions carefully before assembling or using the product.

Please check the contents of each box before attempting to assemble this product. The instructions will have a checklist of parts and fittings.

Try to assemble the product as close to its intended final location / room as possible.

Happy with your purchase?



Yes: We would love to hear more from you! Please share your experience on TrustPilot or our social media channels.



No: We're so sorry to hear this! Please contact us by scanning the QR code or visit us at www.happybeds.co.uk/customer-service and someone will be happy to help.



Happy beds™

www.happybeds.co.uk

Join our Happy VIP list!

Don't miss out! Sign up to our newsletter so you don't miss out on our amazing sales and giveaways! Head to our website, www.happybeds.co.uk to sign up and save £10 off your next order.

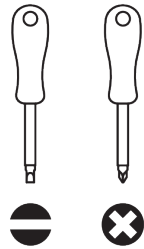
Your chance to WIN some luxury sleep products when featured in our blog!

Simply use #MyHappyBed to tag your new product, and if you are chosen to be featured in our monthly interior blog: Your Happy Beds This Month, we'll send over some luxury sleep products!

Want some styling inspo?

Stay up to date with the latest interior trends or find out about your sleeping habits by reading our Happy Beds blog! Scan the QR code for styling tips.

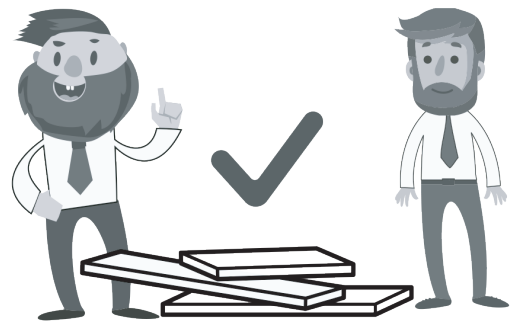
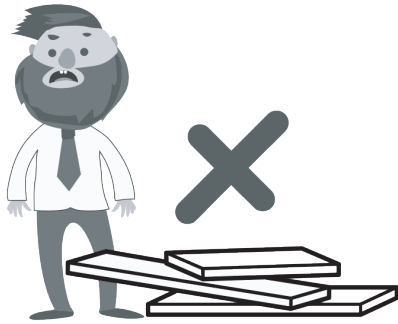




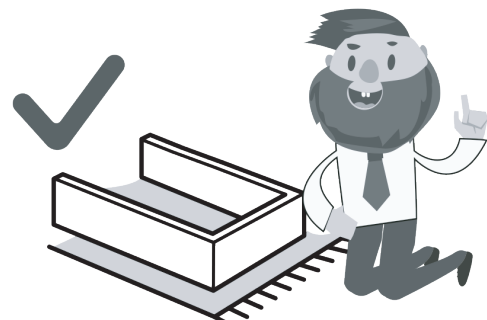
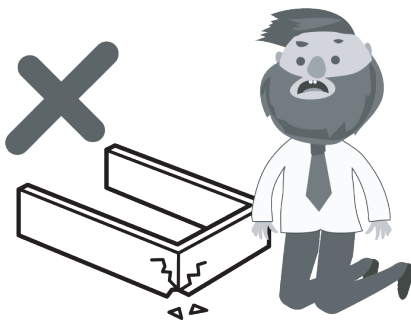
(Not metal)

These tools are not necessary, but may help to assemble certain parts of the product.

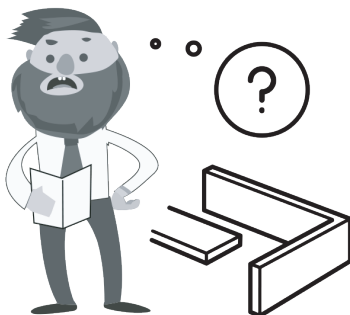
Do NOT use any power tools as this may damage the frame.



This product or some parts of this product will be heavy. Please use an assistant when lifting.



Never drag or push the pieces across a hard or stone floor as this will cause damage to the joints. Use a carpet or a rug for extra care.



If you have problems assembling or have damaged or missing pieces, please contact us by visiting:

<https://www.happybeds.co.uk/customer-service>

Happy beds™

www.happybeds.co.uk

Health & Safety:

This product or some parts of this product will be heavy. Please use an assistant when lifting.

Please keep small parts out of reach of children.

Always use on a level, even surface.

DO NOT jump on the product or any of its parts.

DO NOT use this product if any parts are missing, damaged or worn.

DO NOT use this product unless all fixings are secured.

Please keep these instructions for future reference.

Important for Ottoman and other gas lift beds

Note:

The gas lifts are fully extended during shipment for safety. After assembly a firm downward push will be required to overcome any resistance in the gas lifts as these may initially stick. We suggest placing a mattress on top of the bed base to aid this and also test the operation of your new lift-up bed by lifting and pushing down the bed base a few times to free off the system.

Do NOT operate the lift-up mechanism without the mattress placed on the base. The lift mechanism provides assistance with the lift of the mattress fitted to the base. It does not lift the mattress for you. The system has been designed to effectively lift the base system fitted with a variety of mattress weights and combinations of depths. The gas cylinders fitted to the system may be stiff when first used or if the system has not been operated for a period of time.

If provided, use the strap handle to lift up the mattress base using two hands. Pull the mattress base down using two hands equally spaced from the centre of the mattress base. DO NOT pull down on one side of the base only as this is likely to damage the base system with potential failure of the mattress base system and lift mechanism.

Caution:

Do NOT allow children to operate the lift mechanism.

Do NOT allow children near the lift base when operating the mechanism.

Do NOT allow children in the area of the internal storage base.

Keep hands clear of the mechanism when operating the base system.

Do NOT stand inside the bed or the internal storage base.

Do NOT overload the internal storage base.

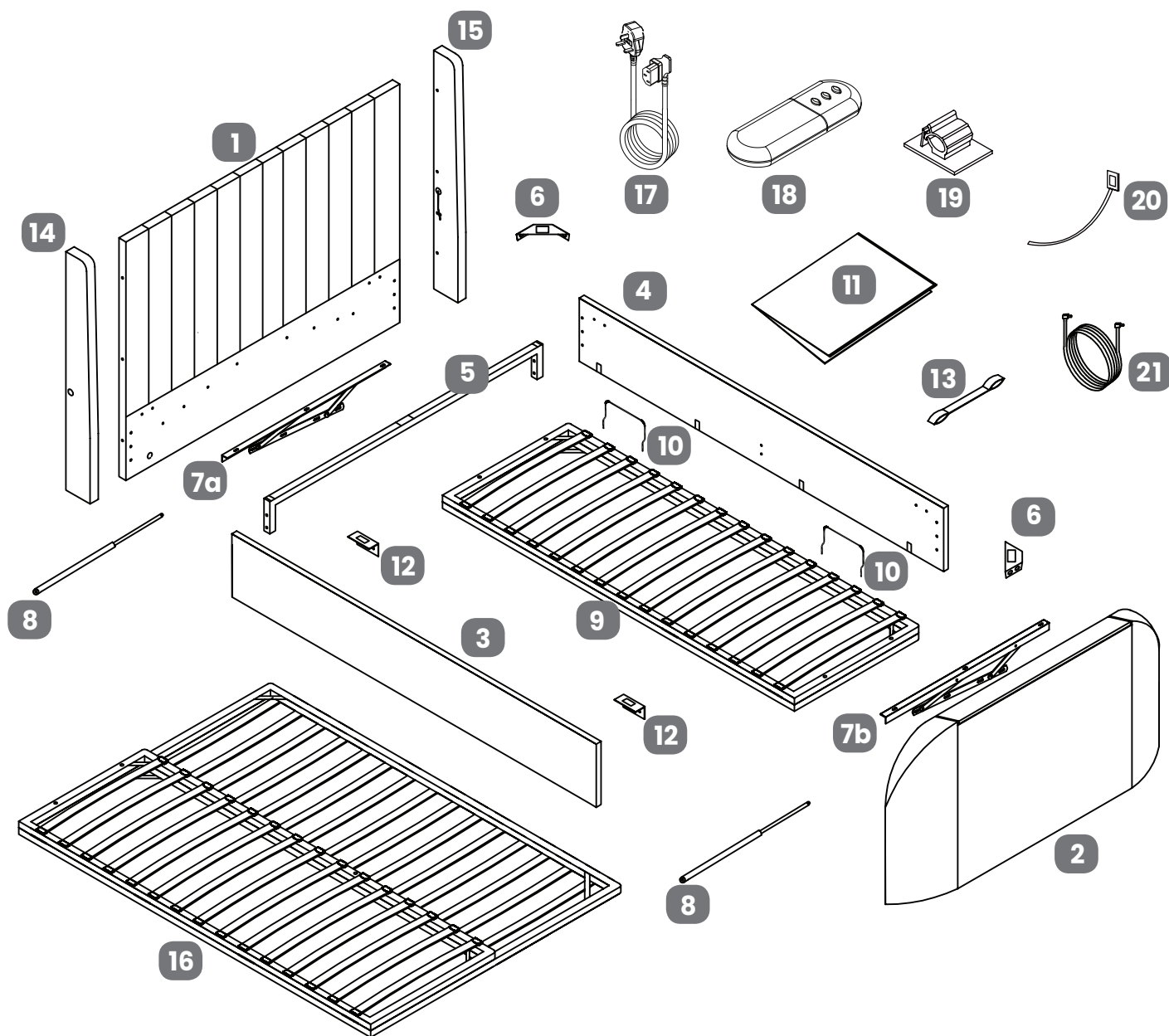


Happy beds™

www.happybeds.co.uk

No	Part List	Qty	Box
1	Headboard	1 pc	1
2	Footboard	1 pc	2
3	Side rail - LH	1 pc	3
4	Side rail - RH	1 pc	3
5	"U" shaped cross bar	1 pc	4
6	Angled corner brackets	2 pcs	2
7a	Gas-lift mechanism	1 pc	4
7b	Gas-lift mechanism	1 pc	4
8	Gas-lift pistons	2 pcs	4
9	Metal slat frame - double or king size	1 pc	4
10	Mattress stoppers	2 pcs	2

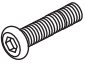








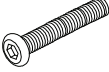

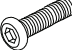
No	Part List	Qty	Box
11	Fabric base cover	1 pc	4
12	"L" shape frame support brackets	2 pcs	2
13	Fabric hand strap	1 pc	4
14	LH wing	1 pc	4
15	RH wing	1 pc	4
16	Metal slat frame for super king size	1 pc	4
17	Mains power lead	1 pc	2
18	Remote control for TV lift	1 pc	2
19	Cable clips	3 pcs	2
20	Cable ties	3 pcs	2
21	USB connection lead	1 pc	2



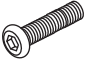
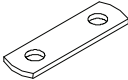




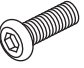
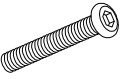
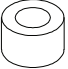
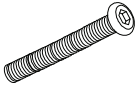
Happy beds™

www.happybeds.co.uk

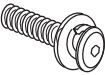
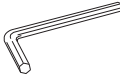
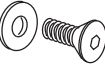
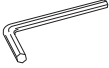
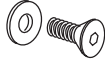
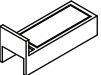

HARDWARE NEEDED FOR BED ASSEMBLY (PACK A)

No	Hardware List	Qty	Box	No	Hardware List	Qty	Box
A	Bolt (M8x35mm) for fitting side rails to headboard & footboard (1&2) 	12 pcs	2	G	Allen key for M6 bolts 	1 pc	2
B	Spring washer for M8 bolts 	24 pcs	2	H	Allen key for M8 bolts 	1 pc	2
C	Flat washer for M8 bolts 	24 pcs	2	La	Hook bracket 	2 pcs	2
D	Bolts (M8x20mm) for fitting 'hook brackets (La & Lb) to side rails & head foot boards 	12 pcs	2	Lb	Hook bracket 	2 pcs	2
E	Spring washer for M6 bolts 	16 pcs	2	I	Bolt (M6x45mm) for fitting "U" shape cross bar to side rails (3&4) 	4 pcs	2
F	Flat washer for M6 bolts 	16 pcs	2	J	Bolt (M6x20mm) for fitting 'L' shaped support brackets (12) 	12 pcs	2

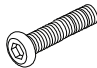


HARDWARE NEEDED FOR SLAT FRAME ASSEMBLY & FITTING (PACK B)




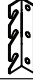
No	Hardware List	Qty	Box	No	Hardware List	Qty	Box
A	Bolt (M8x35mm) for fitting gas-lift mechanism to the footboard 	4 pcs	2	N	Metal connection plate 	2 pcs	2
B	Spring washer for M8 bolts 	24 pcs	2	O	Flanged M8 lock-nuts 	10 pcs	2
C	Flat washer for M8 bolts 	30 pcs	2	P	Spanner for flanged M8 lock-nuts 	1 pc	2
D	Bolts (M8x20mm) for fitting connection plates (N) 	4 pcs	2	Q	Bolts (M8x50mm) for fitting metal slat frame (9 or 16) to gas-lift mechanisms (7) 	12 pcs	2
M	Plastic spacer for gas-lift mechanism (7) 	8 pcs	2	R	Bolts (M8x65mm) for fitting gas-lift mechanism to the headboard 	4 pcs	2

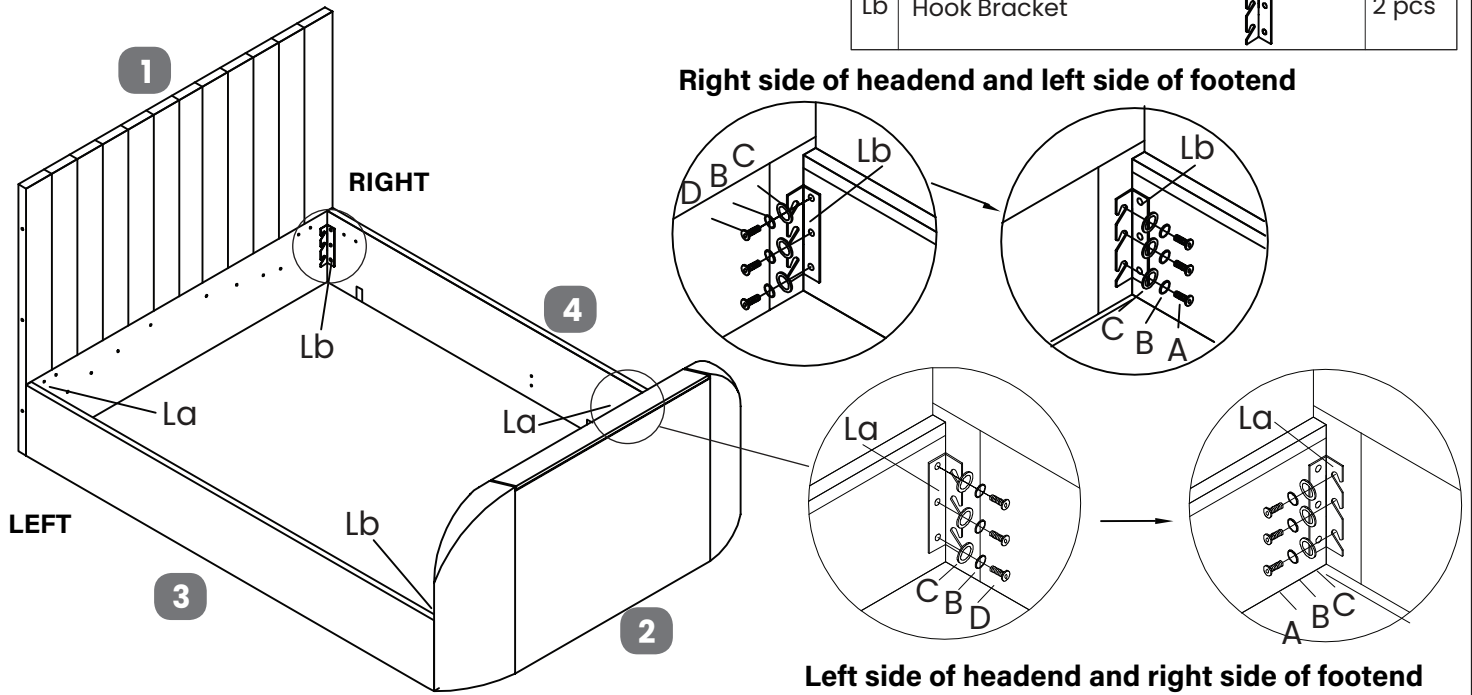
HARDWARE NEEDED FOR TV INSTALLATION (PACK C)

No	Hardware List	Qty	Box	No	Hardware List	Qty	Box
U	Bolt set M8 x 25mm 	2 pcs	2	V	Allen key (4mm) 	1 pc	2
	Counter-sunk screw set (M6x12mm) 	2 pcs	2		Allen key (2.5mm) 	1 pc	2
	Counter-sunk screw set (M4x12mm) 	2 pcs	2	W	TV Support Slide 	2 pcs	2
X	Plastic spacer for fitting TV (see Step 13 ii) 	2 pcs	2				

Step 1:

A	Bolts (M8x35mm)		12 pcs
B	Spring Washer for M8 bolts		24 pcs
C	Flat Washer for M8 bolts		24 pcs



D	Bolts (M8x20mm)		12 pcs
H	Allen key for M8 bolts		1 pc
La	Hook Bracket		2 pcs
Lb	Hook Bracket		2 pcs


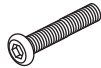



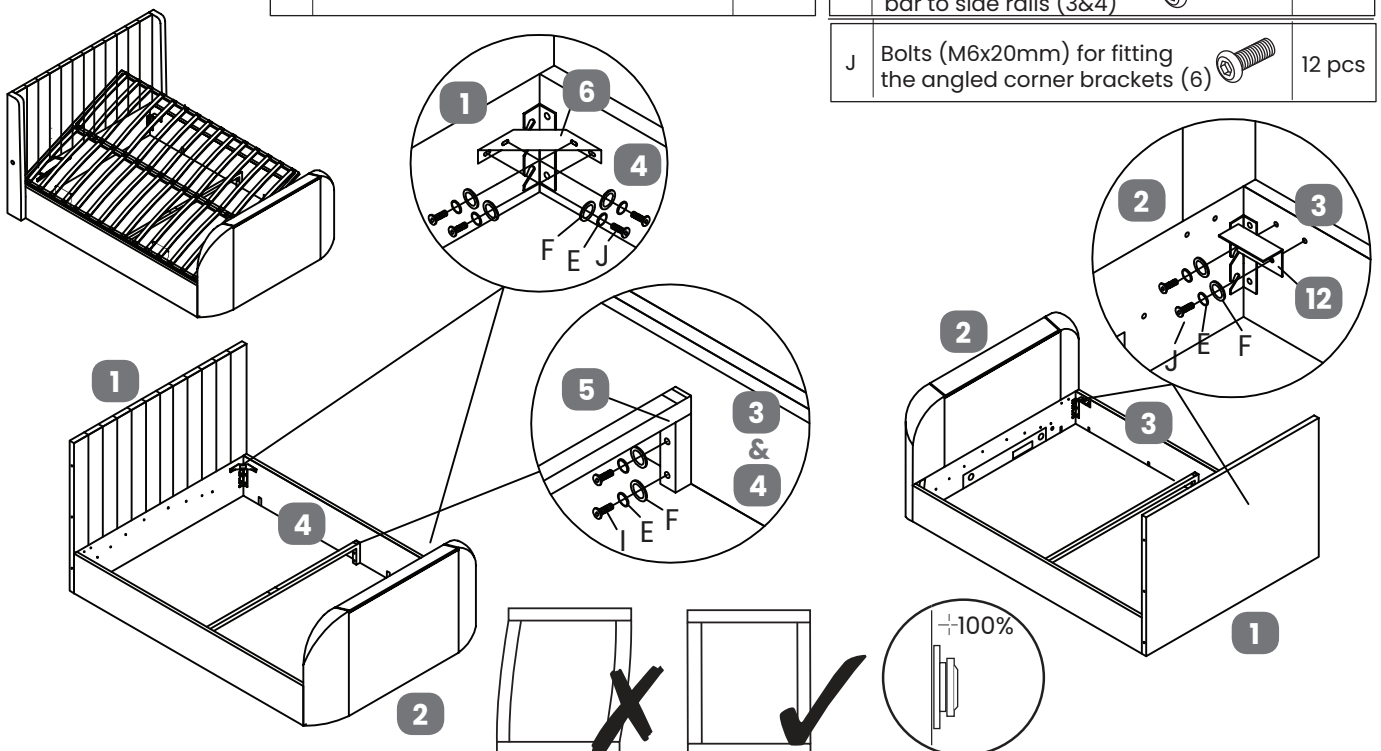
Step 2a:

Note: Please choose which side of the slat-frame to lift up to reach into the storage area then, depending which size of bed you have purchased, use the relevant hardware for the Double size, King size or Super-King size bed.



To lift from the RIGHT, follow Step (2a, 3a & 17a) or to lift from the LEFT Step (2b, 3b & 17b).


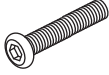
E	Spring Washer for M6 bolts		16 pcs
F	Flat Washer for M6 bolts		16 pcs

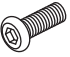
G	Allen key for M6 bolts		1 pc
I	Bolt (M6x45mm) for fitting "U" shape cross bar to side rails (3&4)		4 pcs
J	Bolts (M6x20mm) for fitting the angled corner brackets (6)		12 pcs

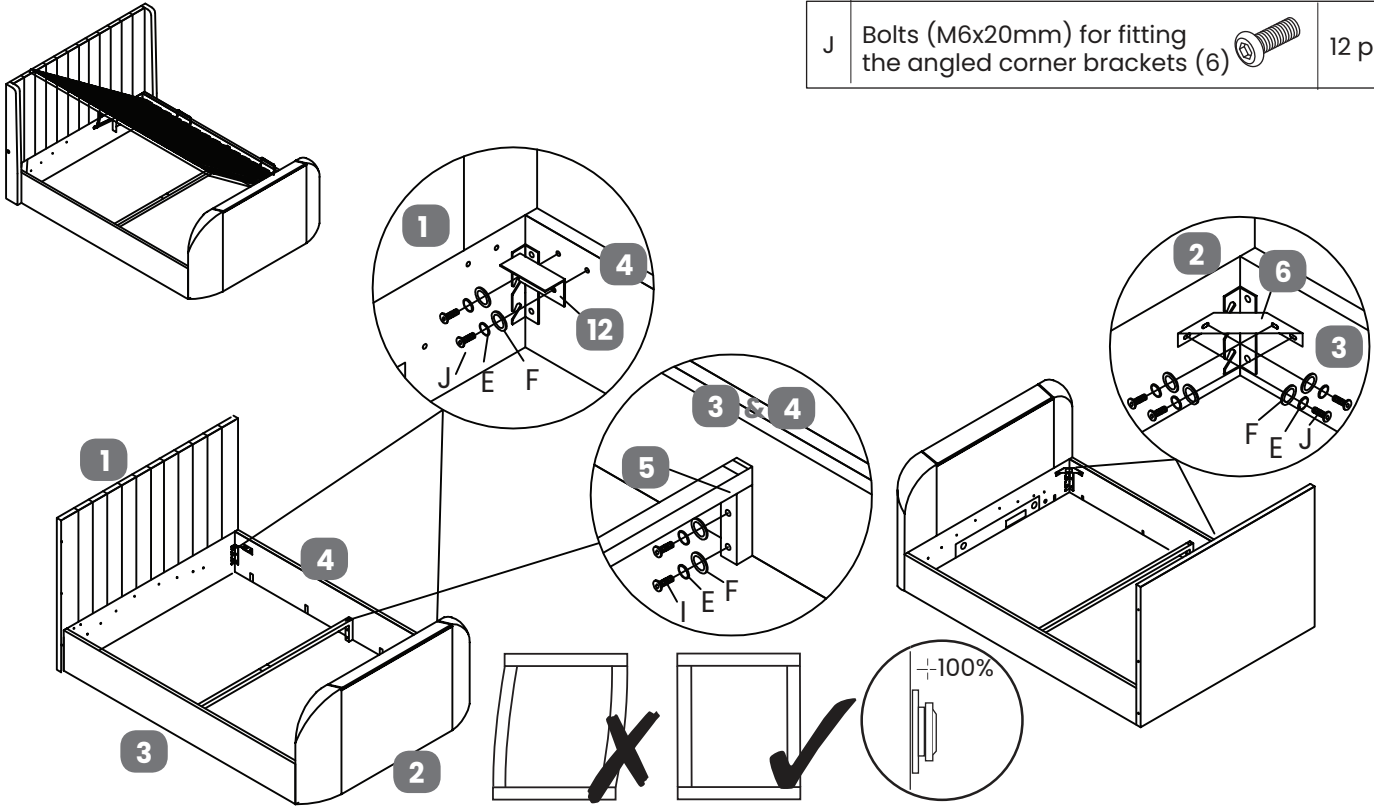


Step 2b:

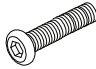


E	Spring Washer for M6 bolts		16 pcs
F	Flat Washer for M6 bolts		16 pcs



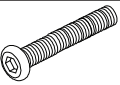
G	Allen key for M6 bolts		1 pc
I	Bolt (M6x45mm) for fitting "U" shape cross bar to side rails (3&4)		4 pcs

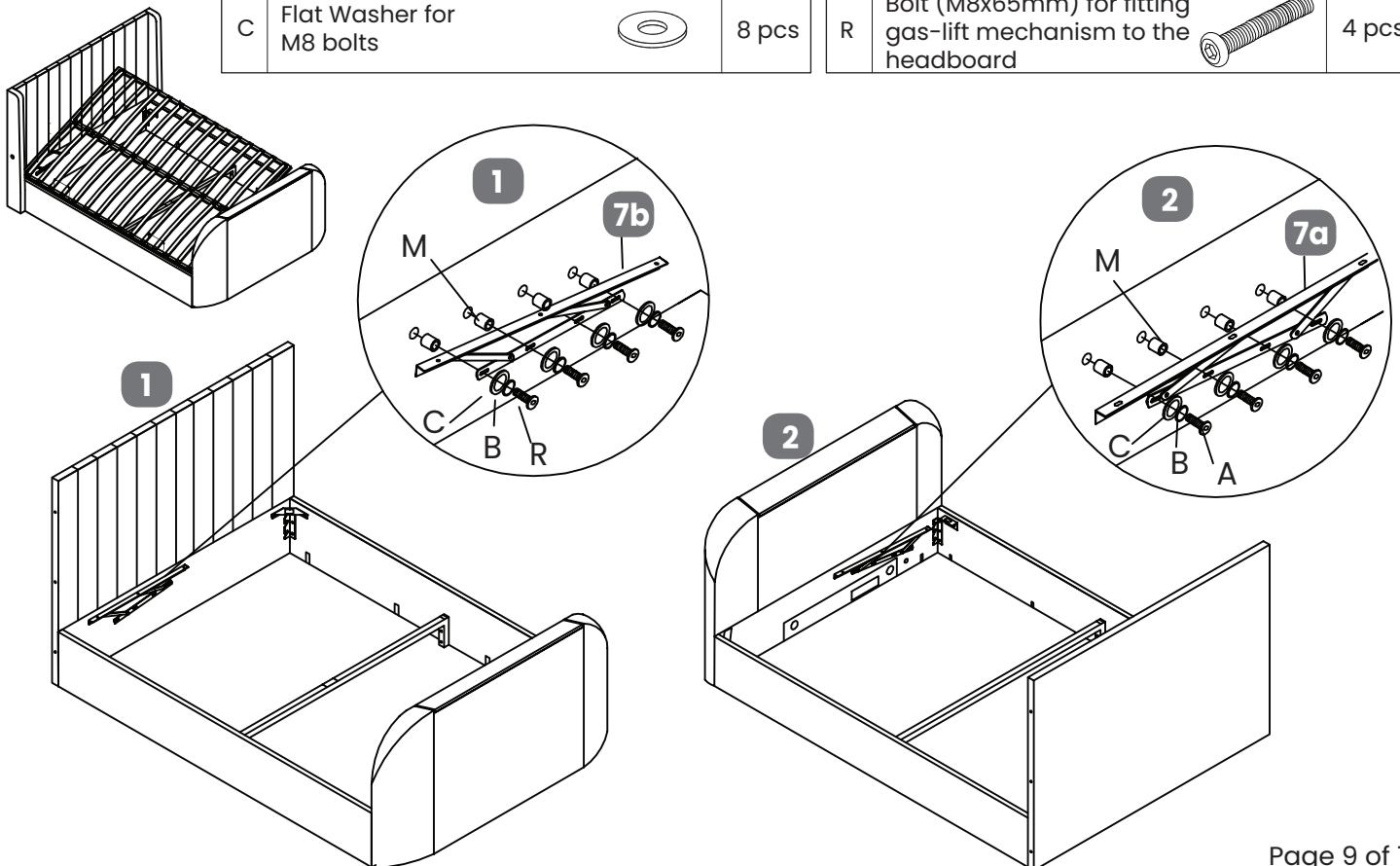
J	Bolts (M6x20mm) for fitting the angled corner brackets (6)		12 pcs
---	--	---	--------



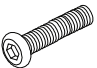


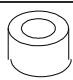

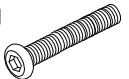
Step 3a:

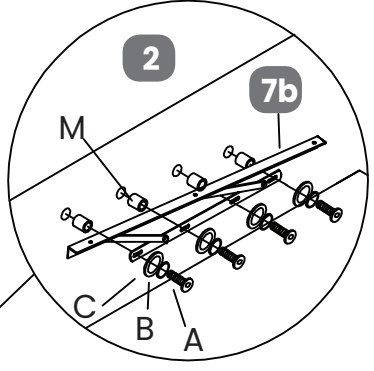
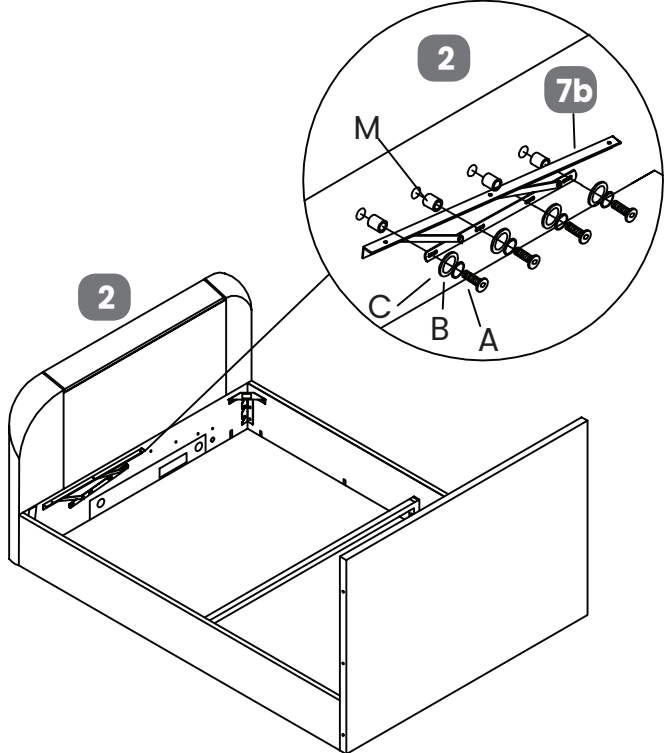
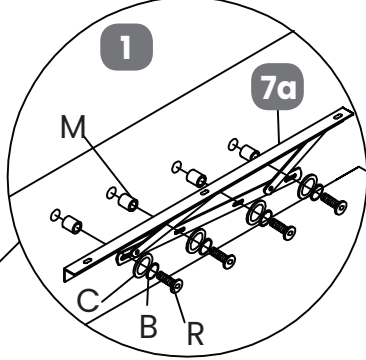
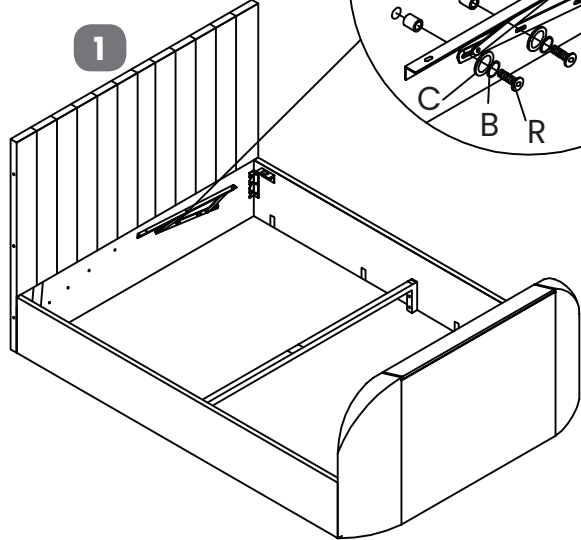
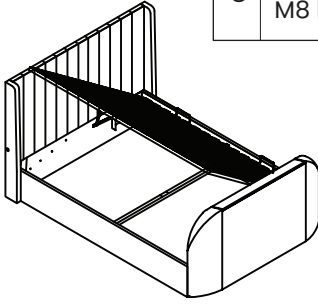
A	Bolt (M8x35mm) for fitting gas-lift mechanism to the footboard		4 pcs
B	Spring Washer for M8 bolts		8 pcs
C	Flat Washer for M8 bolts		8 pcs

H	Allen key for M8 bolts		1 pc
M	Plastic spacer for gas-lift mechanism (7a & 7b)		8 pcs
R	Bolt (M8x65mm) for fitting gas-lift mechanism to the headboard		4 pcs



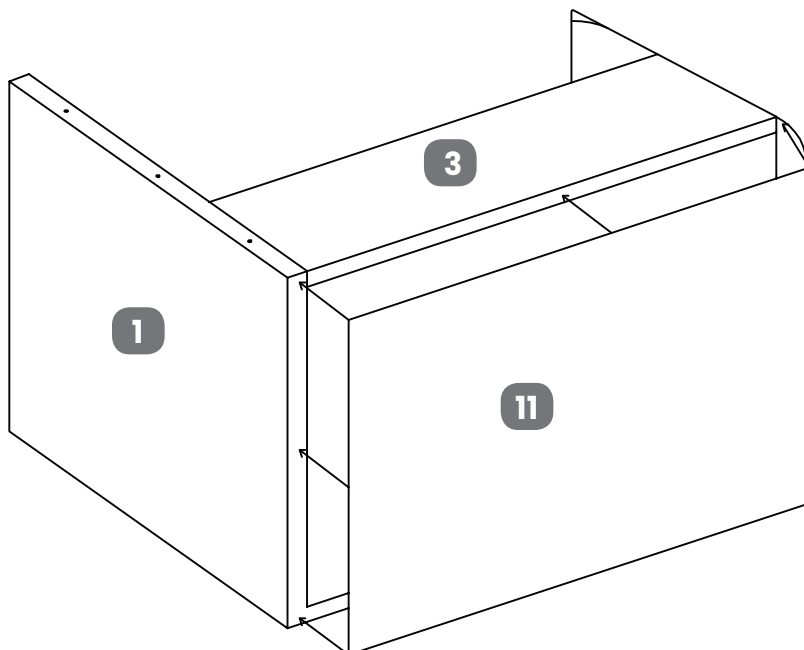
Step 3b:

A	Bolt (M8x35mm) for fitting gas-lift mechanism to the footboard		4 pcs	H	Allen key for M8 bolts		1 pc
B	Spring Washer for M8 bolts		8 pcs	M	Plastic spacer for gas-lift mechanisms (7a & 7b)		8 pcs
C	Flat Washer for M8 bolts		8 pcs	R	Bolt (M8x65mm) for fitting gas-lift mechanism to the headboard		4 pcs




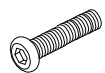


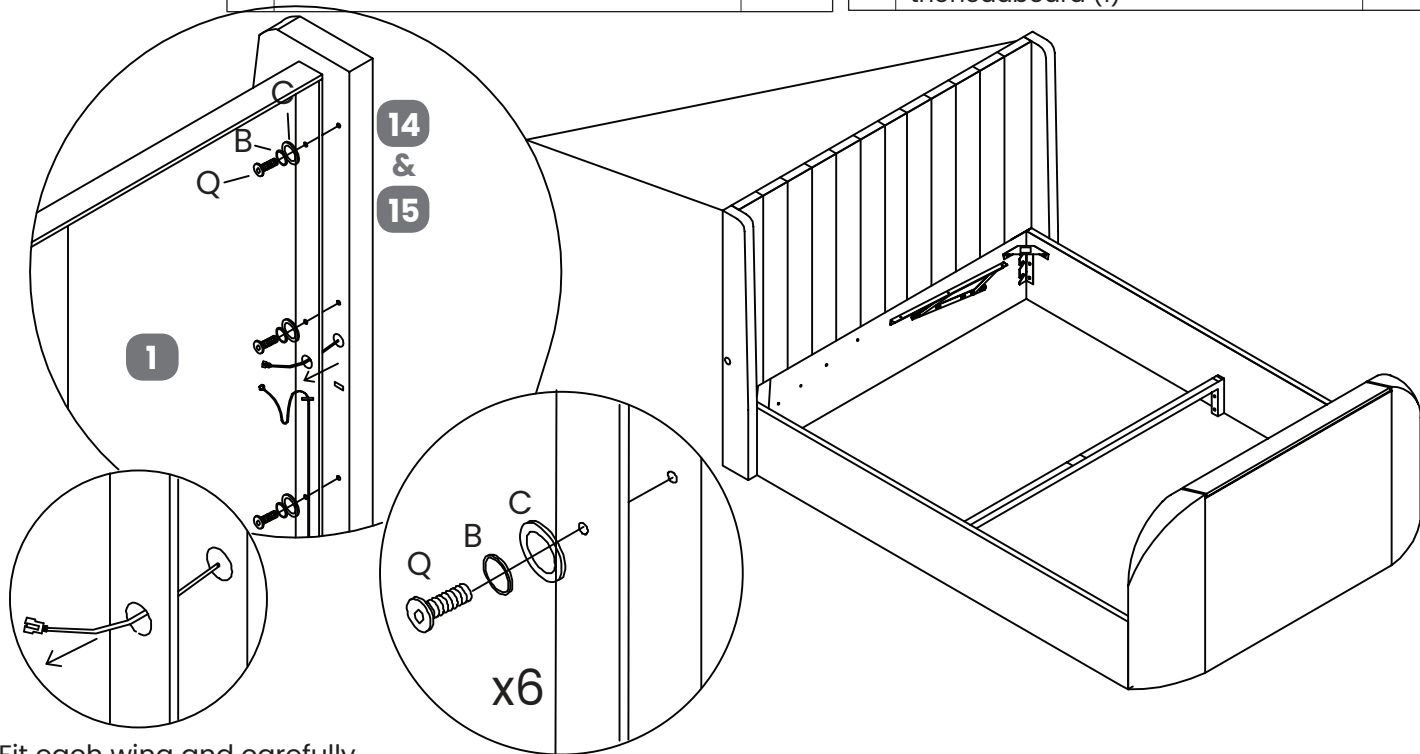
Step 4:

**Carefully turn the bed on it's side, do not let the bed twist.
Please get help as it is heavy.
Using the velcro, fit the fabric cover evenly around the bed base.**



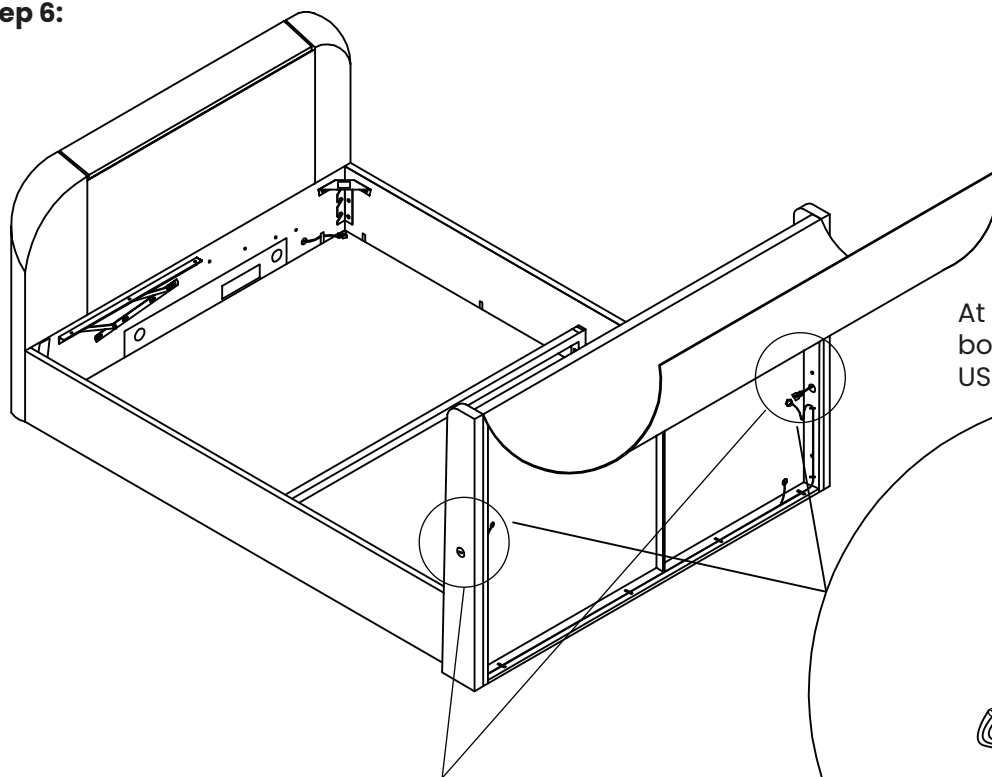
Step 5:

B	Spring Washer for M8 bolts		6 pcs	H	Allen key for M8 bolts		1 pc
C	Flat Washer for M8 bolts		6 pcs	Q	Bolts (M8x50mm) for fitting wings (14&15) to the headboard (1)		6 pcs

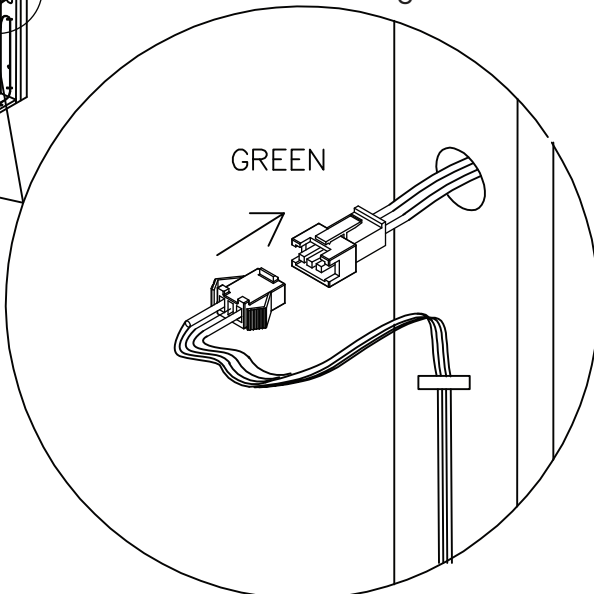


Fit each wing and carefully slide the USB lead through the hole on side of the headboard.

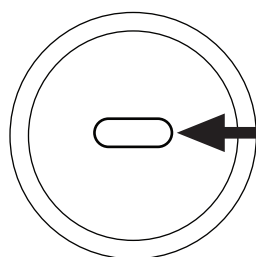
Step 6:



At the rear, inside the headboard, connect the green USB connectors together



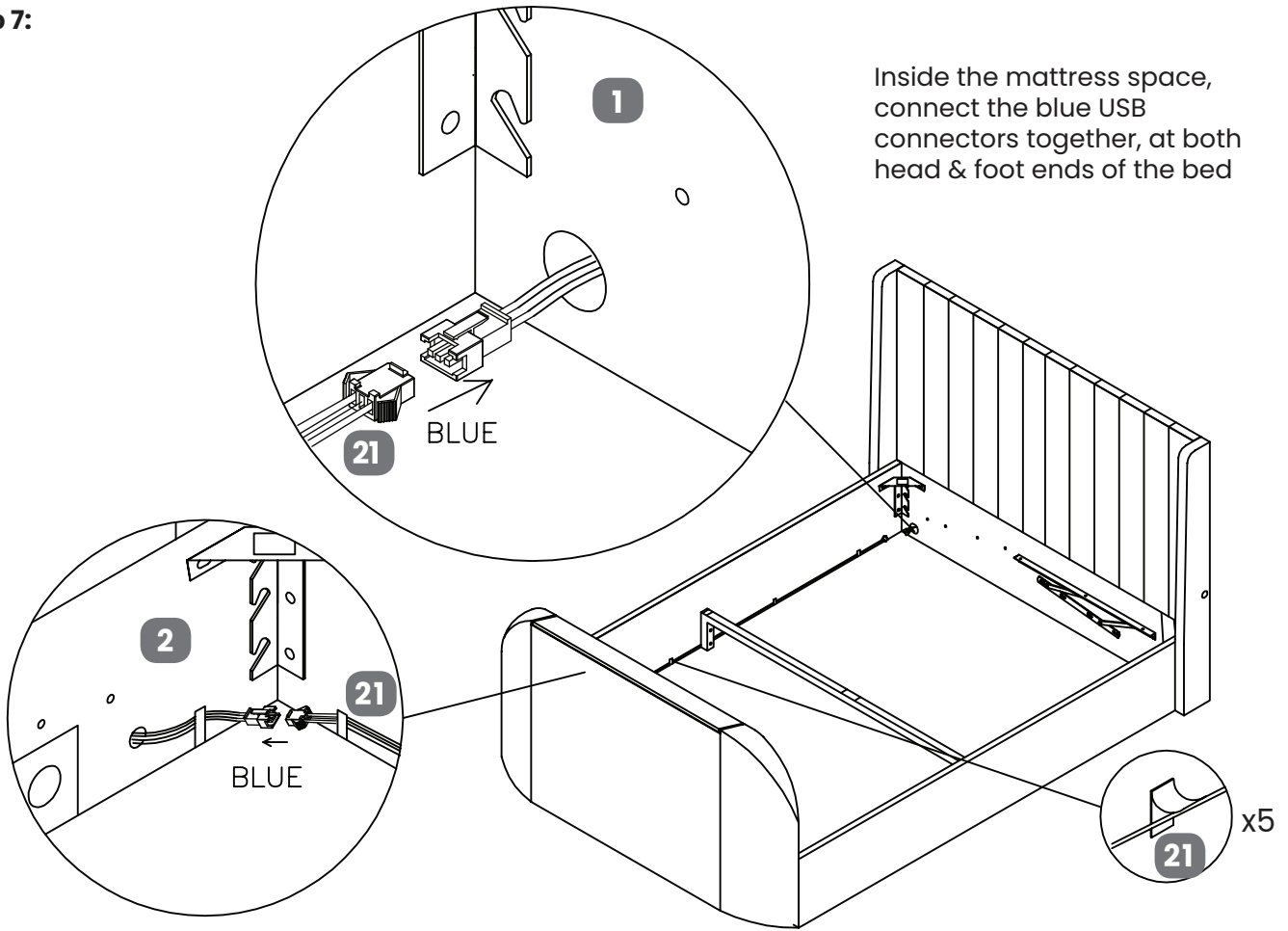
TYPE-C FAST CHARGE USB






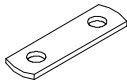

PUSH A TYPE-C PLUG INTO THIS SOCKET TO CHARGE ANY SUITABLE DEVICE

TOTAL POWER IS UP TO 12V 2.1A.
NOTE THIS USB IS FOR CHARGING ONLY, IT CANNOT PLAY MUSIC OR VIDEOS THROUGH THE SYSTEM.

Step 7:

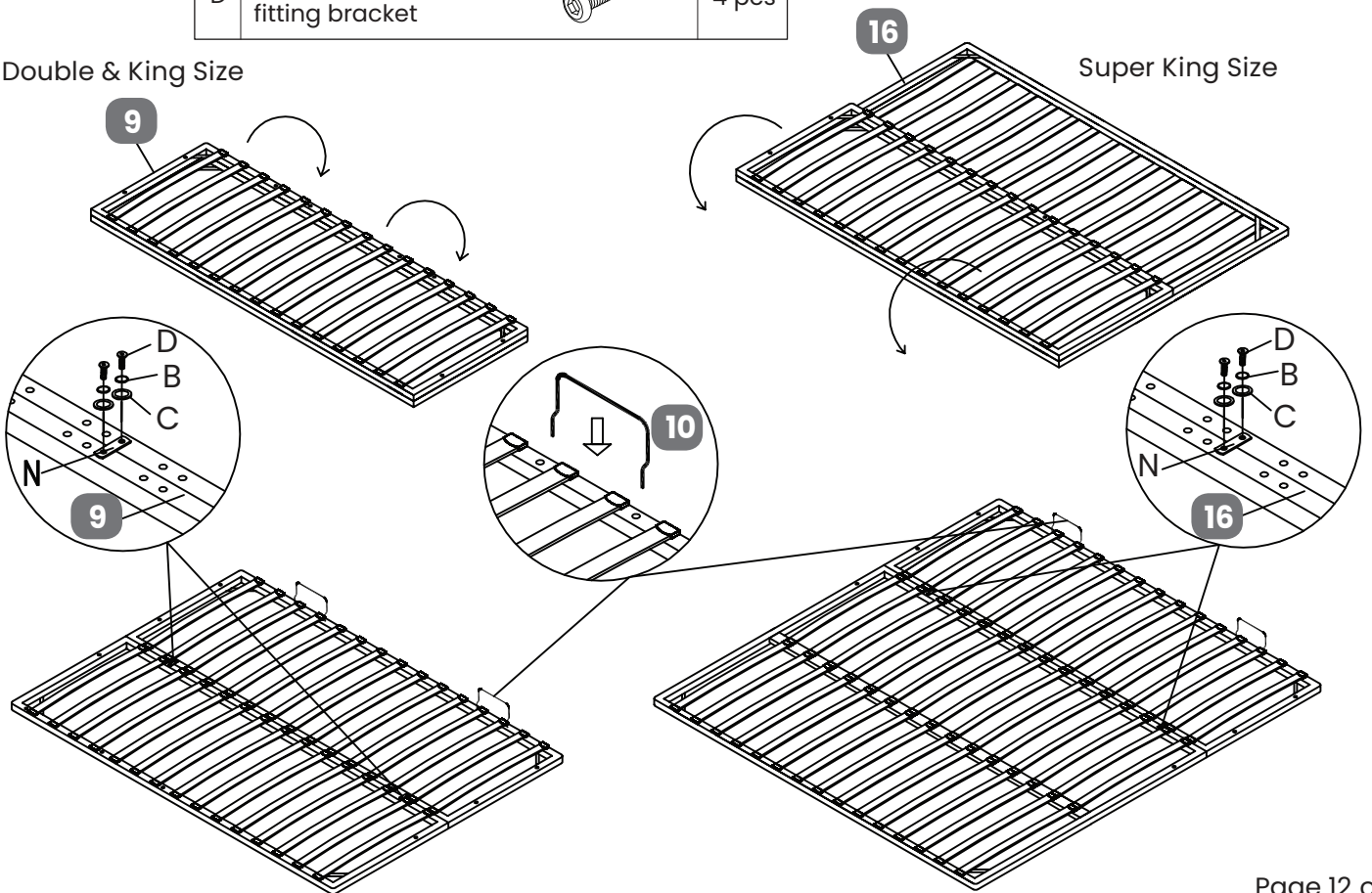


Step 8:

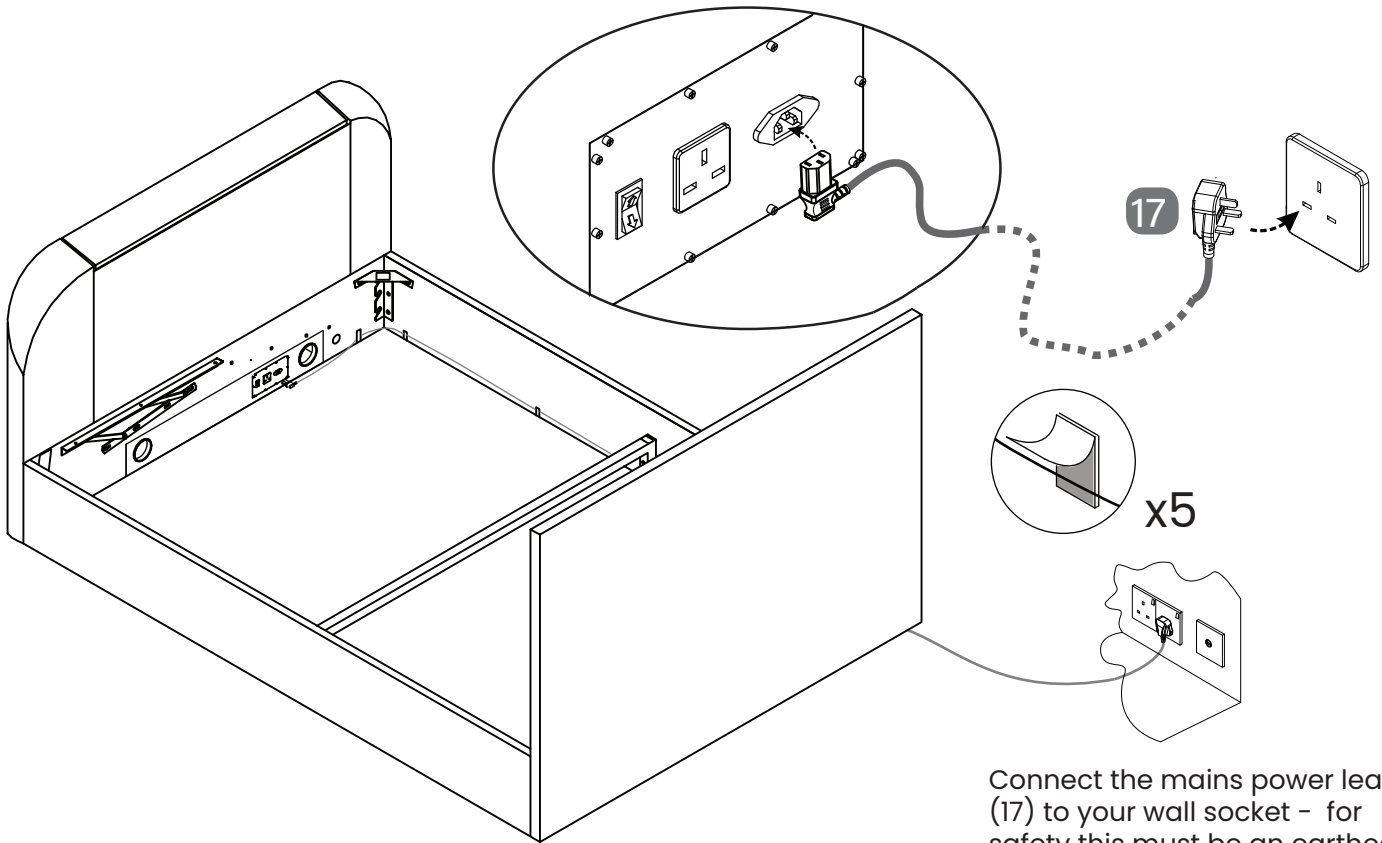
B	Spring Washer for M8 bolts		4 pcs	H	Allen key for M8 bolts		1 pc
C	Flat Washer for M8 bolts		4 pcs	N	Metal connection plate		2 pcs
D	Bolt (M8x20mm) for fitting bracket		4 pcs				

Double & King Size

Super King Size

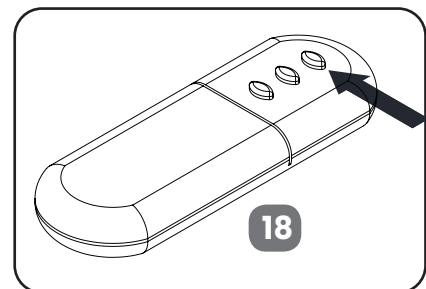


Step 9:

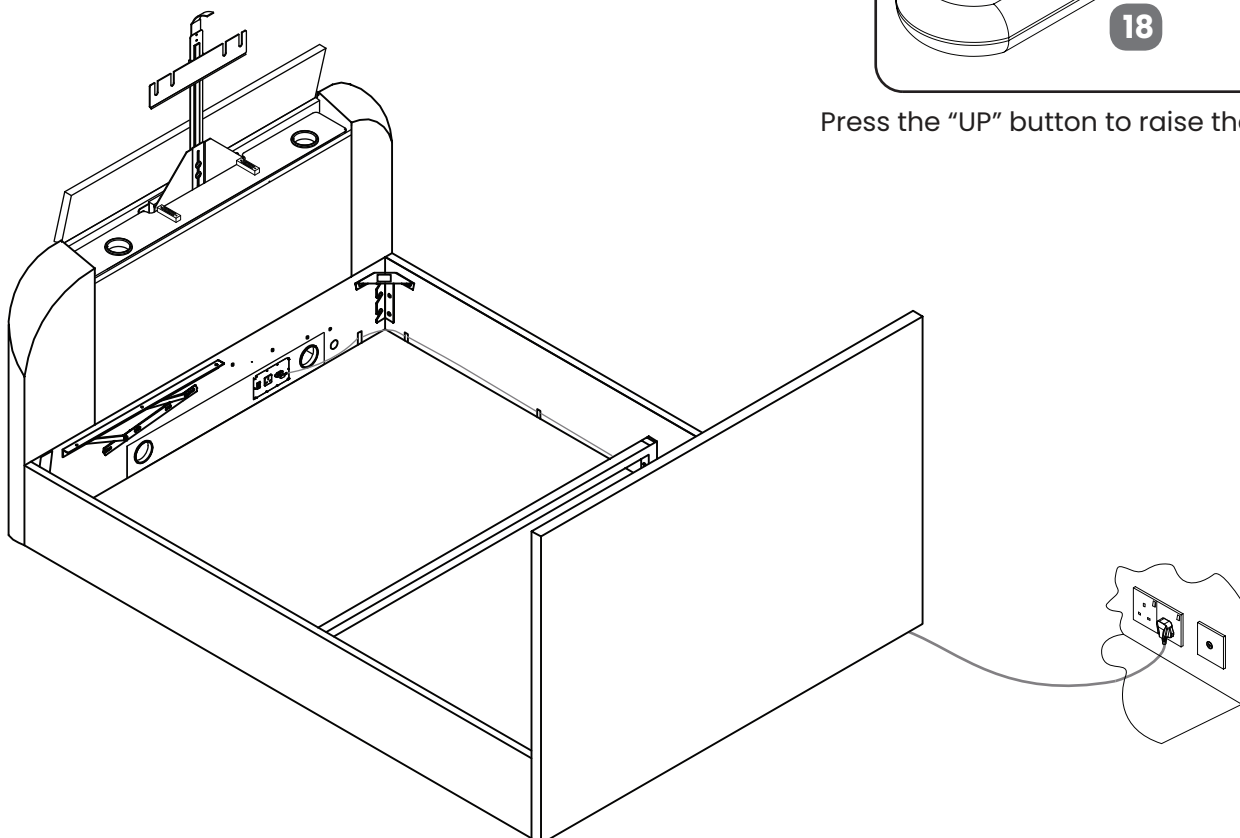


Connect the mains power lead (17) to your wall socket - for safety this must be an earthed power supply.

Step 10:



Press the "UP" button to raise the TV lift.



Step 11:

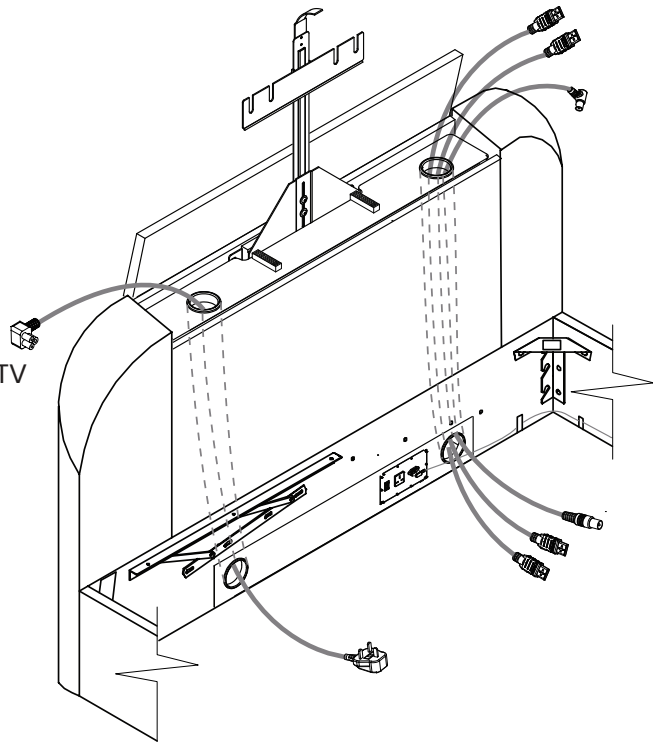
Note: For illustration purposes only, TV connections may vary.

Tip:

Before fitting the TV, push cables through each duct from the top choosing the best side to use depending on where the connection ports are on back of your TV.

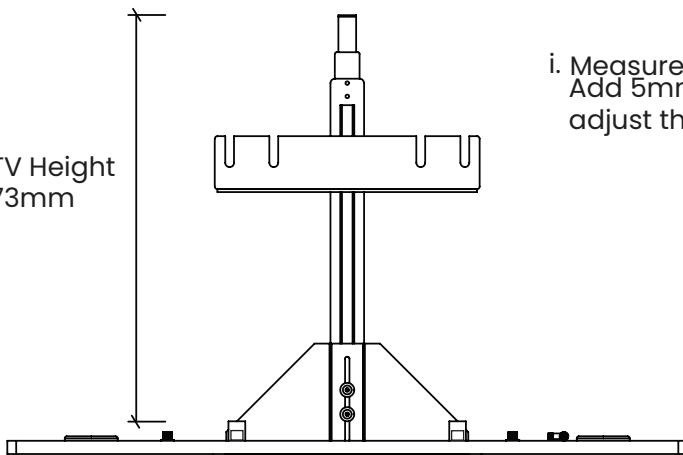
Never cross cables from one side of the footboard to the other unless cable is threaded behind the TV supports, in front of the TV Lift.

TV Power Lead
supplied with your TV

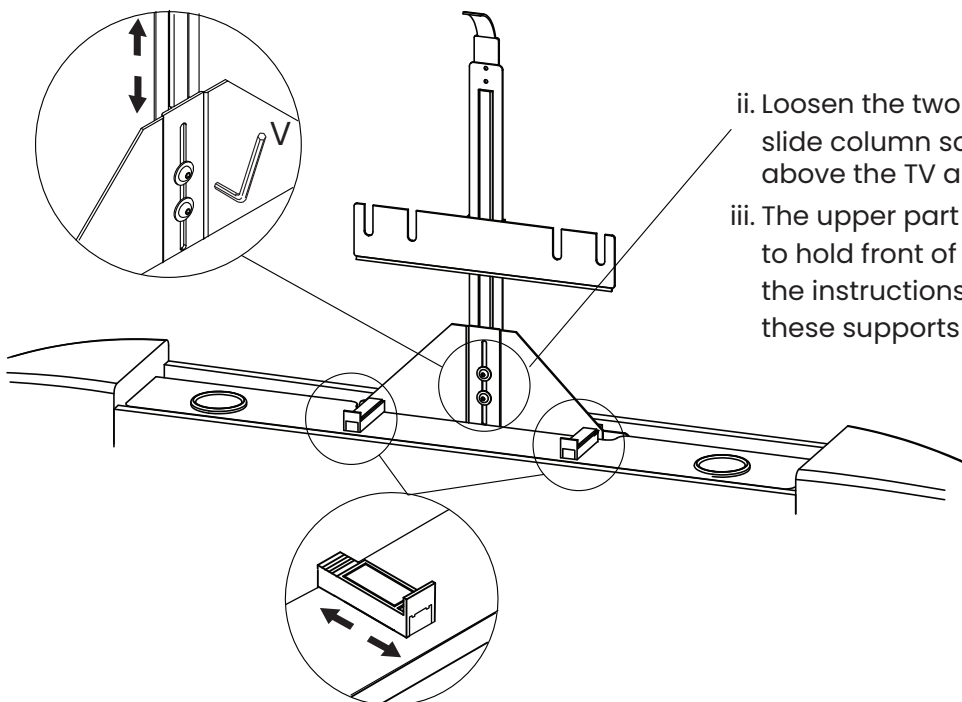
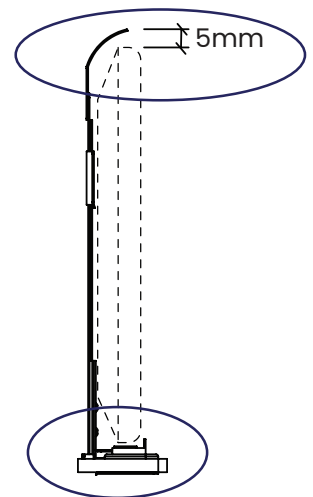
**Step 12:**

Height of TV is normally pre-set – follow this guide if it needs to be changed.

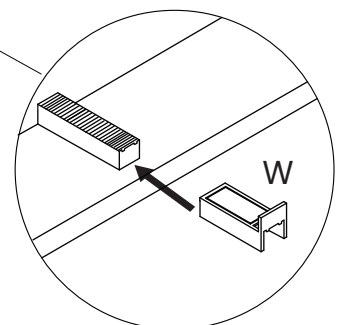
Max TV Height
573mm



- i. Measure the height of the TV. Add 5mm to it's height then adjust the column to suit.

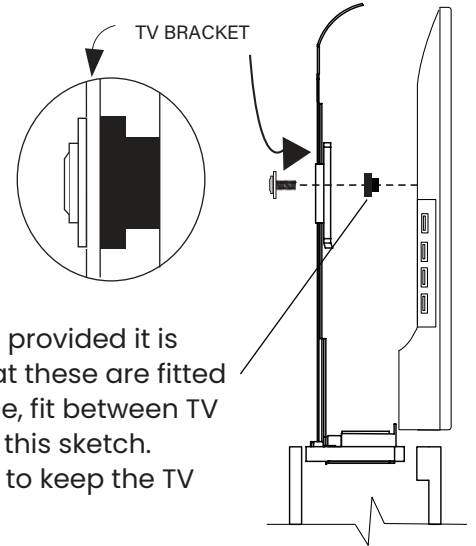
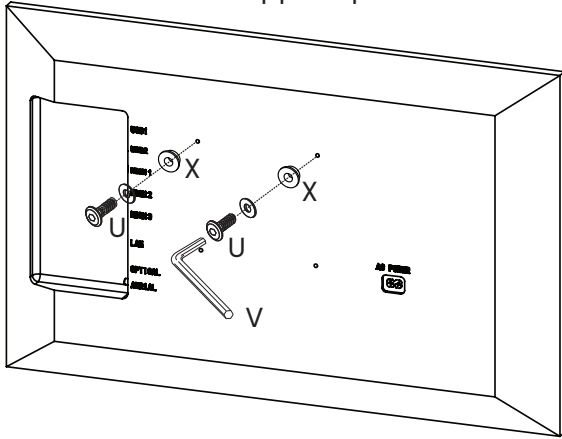


- ii. Loosen the two column adjustment bolts, slide column so curved lid lifter is just above the TV and re-tighten the two bolts.
iii. The upper part of each support (W) slides to hold front of TV in place. Please follow the instructions on how to correctly set these supports in Step 14 iii.



Step 13: If the TV is supplied with Vesa bolts and spacers, please use those in preference to those provided

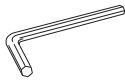
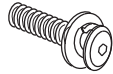
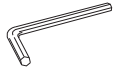
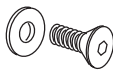
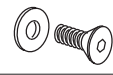

- i. Check the hardware supplied with the television and if Vesa bolts and spacers are supplied please use these to fit the TV.



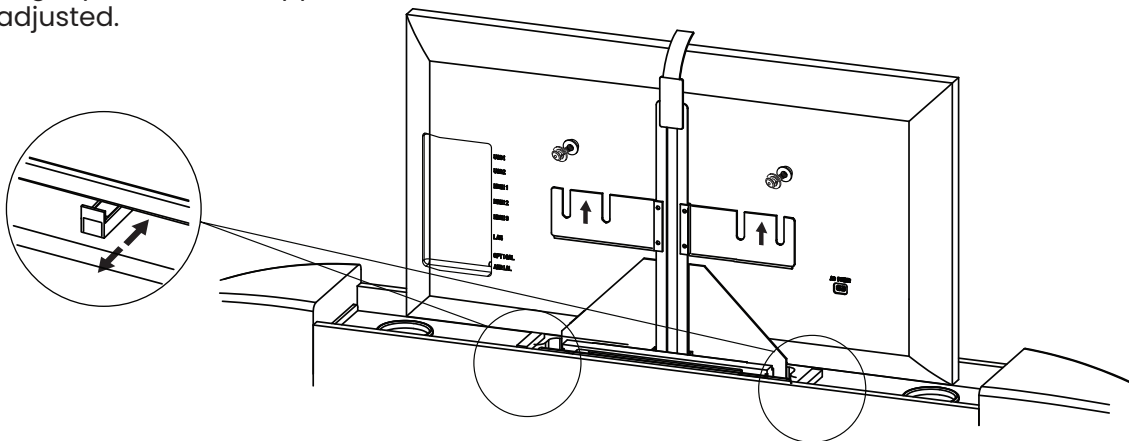
- ii. When spacers are provided it is very important that these are fitted in the correct place, fit between TV & TV bracket as in this sketch. These are needed to keep the TV screen vertical.

Step 14:

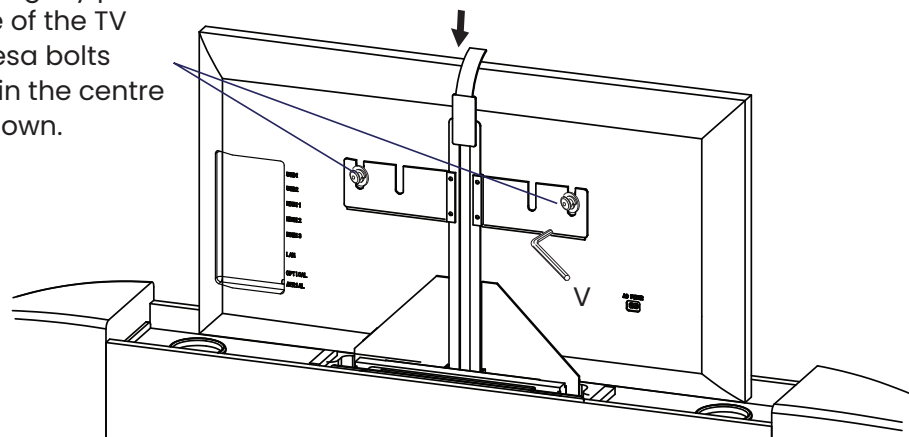
If hardware is not supplied with the TV, choose suitable fittings from the TV Kit

V	Allen key (4mm)		1 pc	U	Bolt set M8 x 25mm		2 pcs
	Allen key (2.5mm)		1 pc		Counter-sunk screw set (M6x12mm)		2 pcs
					Counter-sunk screw set (M4x12mm)		2 pcs
				X	Spacer for fitting to rear of the TV. If no spacers are supplied with the TV itself, please use these two marked (X) making sure the bolt length is correct. Fit them in the position shown in Step 11 part ii. It is important to fit them to allow more clearance for the TV hinge system.		2 pcs

- iii. To adjust the two TV supports (W), stand the TV in position and loosely secure it to the bracket using the hardware supplied. Each slider should be set to just touch the front bezel. To make sliding each support easier, lift the TV slightly, above the support being adjusted.



- iv. Once supports are set, lightly push down in the top centre of the TV and tighten the two Vesa bolts 100%, these should be in the centre of the long holes as shown.

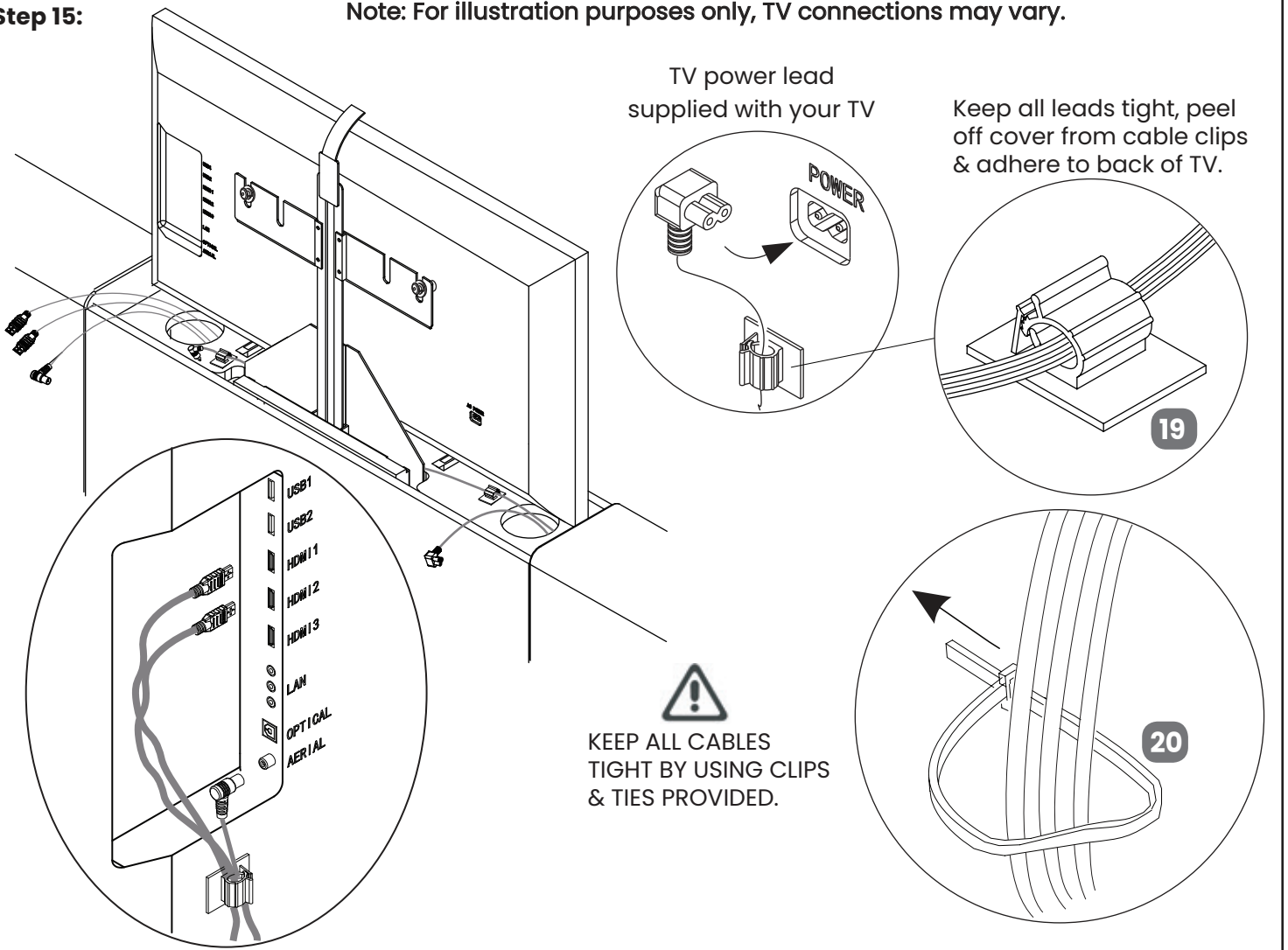


Step 15:

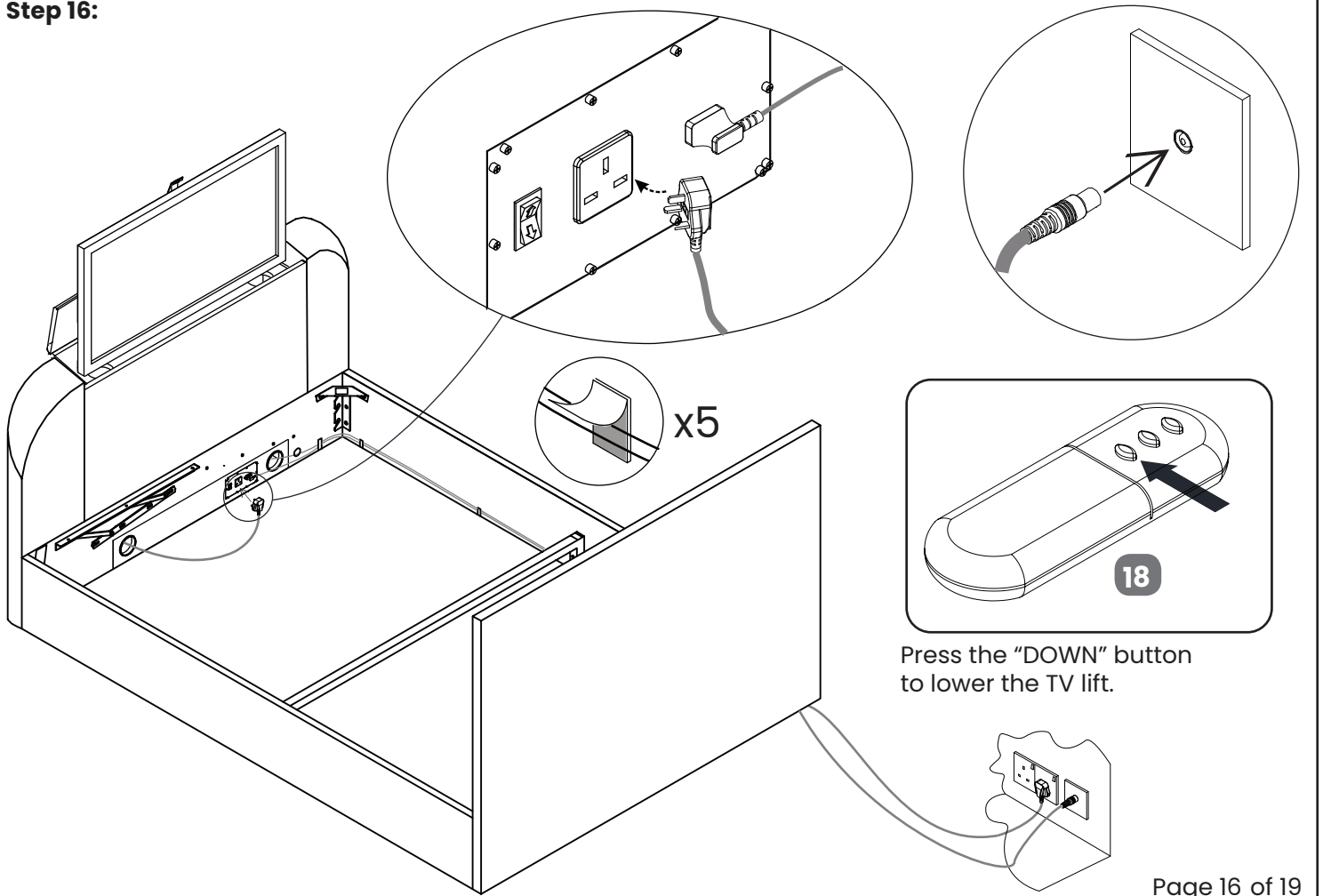
Note: For illustration purposes only, TV connections may vary.

TV power lead
supplied with your TV







Keep all leads tight, peel
off cover from cable clips
& adhere to back of TV.



Step 16:

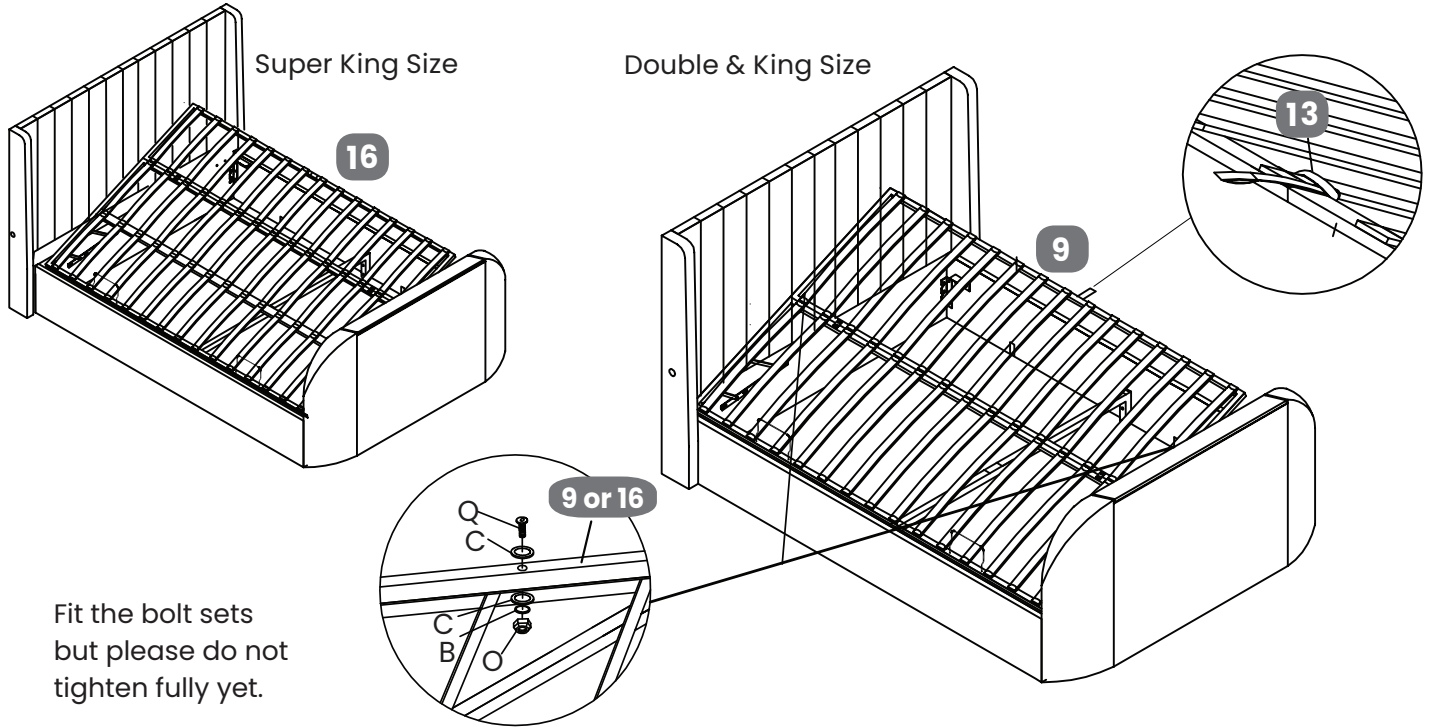


Step 17a:

B	Spring Washer for M8 bolts		6 pcs	O	Flanged M8 lock-nuts for gas-lift piston		6 pcs
C	Flat Washer for M8 bolts		12 pcs	P	Spanner for flanged M8 lock-nuts		1 pc
H	Allen Key for M8 bolts		1 pc	Q	Bolts (M8x50mm)		6 pcs

LIFT FROM RIGHT SIDE

MAKE SURE THE MATTRESS STOPPERS AND HAND STRAP ARE ON THE CORRECT SIDE OF THE BED AS SHOWN

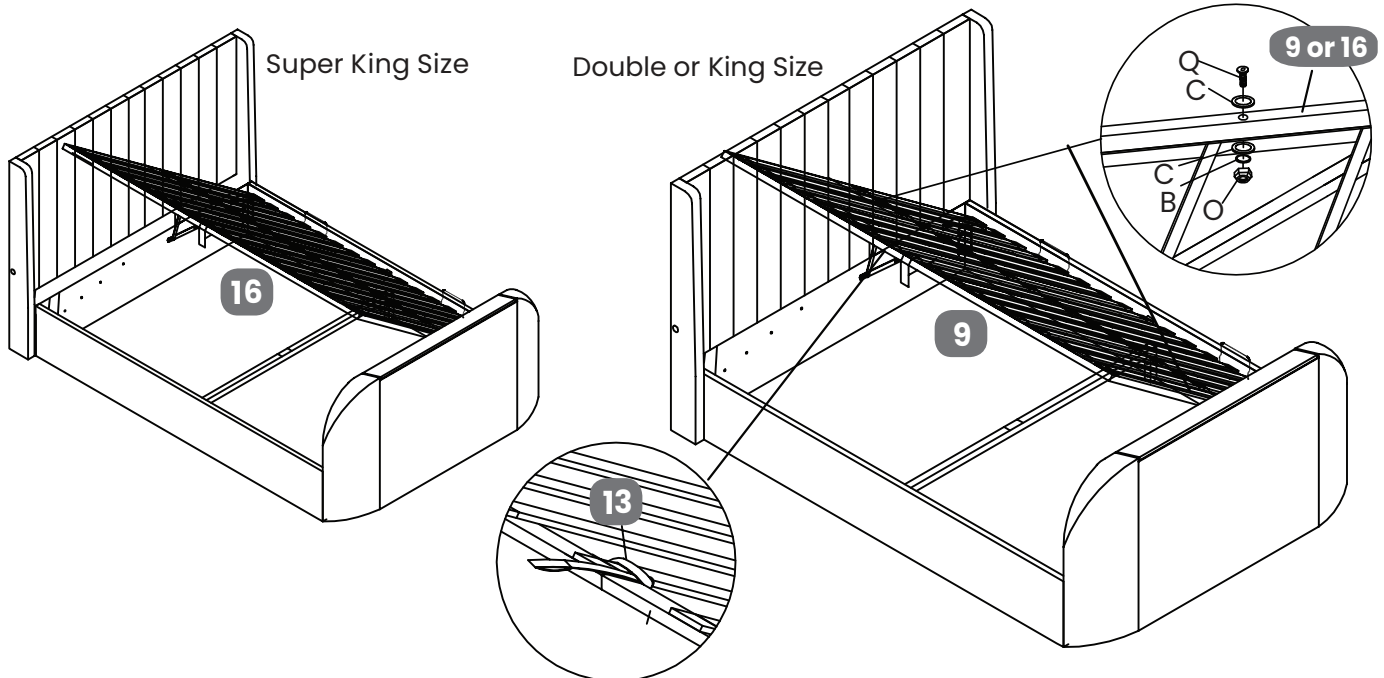


Step 17b:



LIFT FROM LEFT SIDE

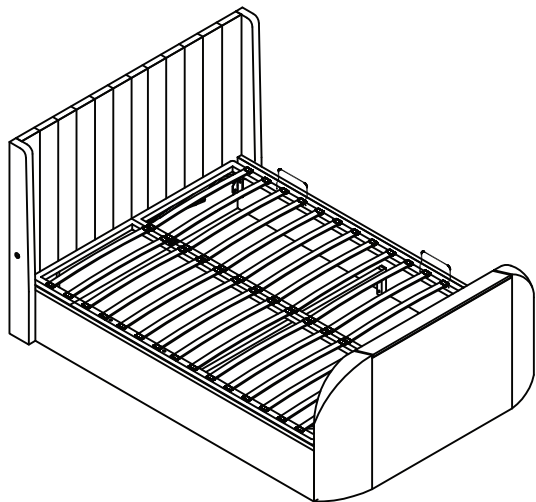
MAKE SURE THE MATTRESS STOPPERS AND HAND STRAP ARE ON THE CORRECT SIDE OF THE BED AS SHOWN

Fit the bolt sets but please do not tighten fully yet.



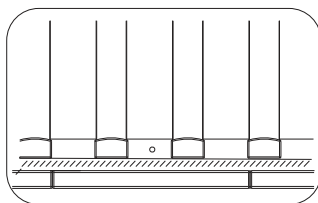
Step 18:

H	Allen Key for M8 bolts		1 pc
P	Spanner for flanged M8 lock-nuts		1 pc

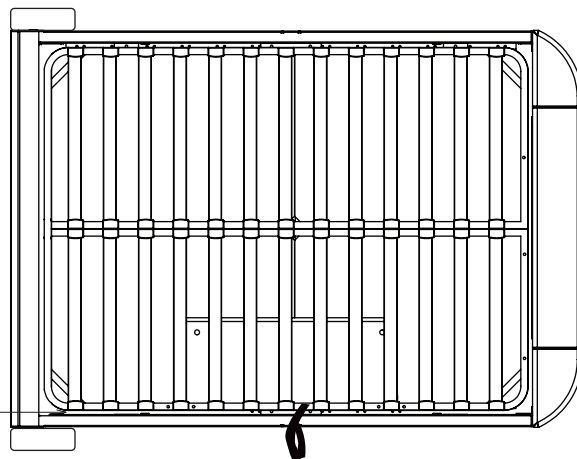


Carefully lay frame down. Make sure there is an even gap each side of about 8mm, as in the sketch.

Hold frame securely then tighten all six bolt sets 100% using spanner (P) & Allen key (H).



8 mm



Step 19:

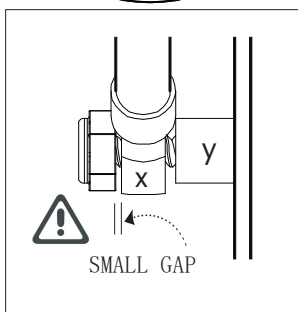
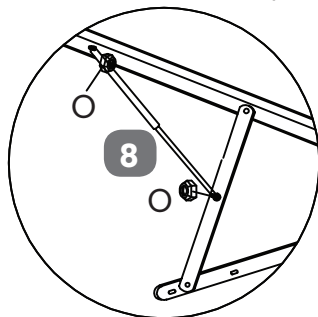
O	Flanged M8 lock-nuts		4 pcs	P	Spanner for lock-nuts		1 pc
---	----------------------	--	-------	---	-----------------------	--	------

Please read the warnings carefully

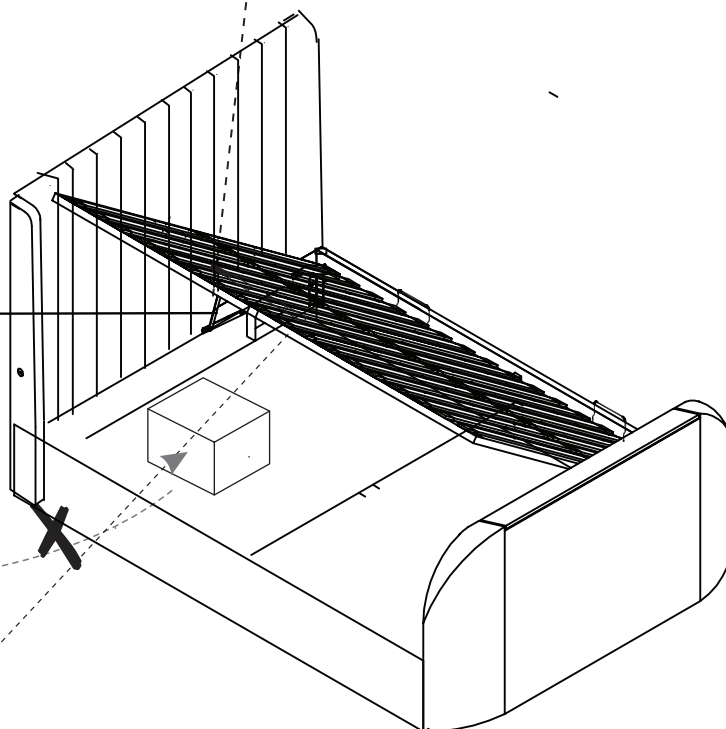
Fit the pistons (8) sliding the stems (x) over the axles (y). Tighten lock nuts (O) with spanner (P) but please DO NOT over-tighten, a small gap needs to be left so stems can move freely - if too tight the frame will be hard to lift so this is important.

WARNING: ONLY USE THE HANDLE TO LIFT & LOWER THE BED FRAME TO AVOID TRAPPING FINGERS!

TO AVOID ACCIDENTS
TO ACCESS THE STORAGE AREA THE OTTOMAN FRAME **MUST BE FULLY OPENED** AND THEN **FULLY CLOSED** AFTERWARDS



Note: Be very careful what you store under the bed - the top of an item, like a box or a suitcase, must not touch the slats or they may be damaged. Maximum storage height is 240mm.



SAFETY WARNING
PLEASE DO NOT ALLOW CHILDREN OR PETS INSIDE THE STORAGE AREA.

SAFETY WARNING
PLEASE BE CAREFUL WHEN LIFTING. ONLY LIFT WITH MATTRESS ON TOP. TO BE OPERATED BY ADULTS ONLY.

Technical Specifications

Max TV Size: 980 x 570 x 85 (WHDmm)

Overall Dimensions (LWH mm)

Double: 2180 x 1520 x 1250

King: 2280 x 1670 x 1250

Super King: 2280 x 1970 x 1250

Internal Dimensions (LWH mm)

Double: 1930 x 1380 x 240

King: 2030 x 1530 x 240

Super King: 2030 x 1830 x 240

Distance between slats (mm)

Double: 72

King & Super King: 70

Slat Dimensions (mm)

Double: 670 x 53 x 9

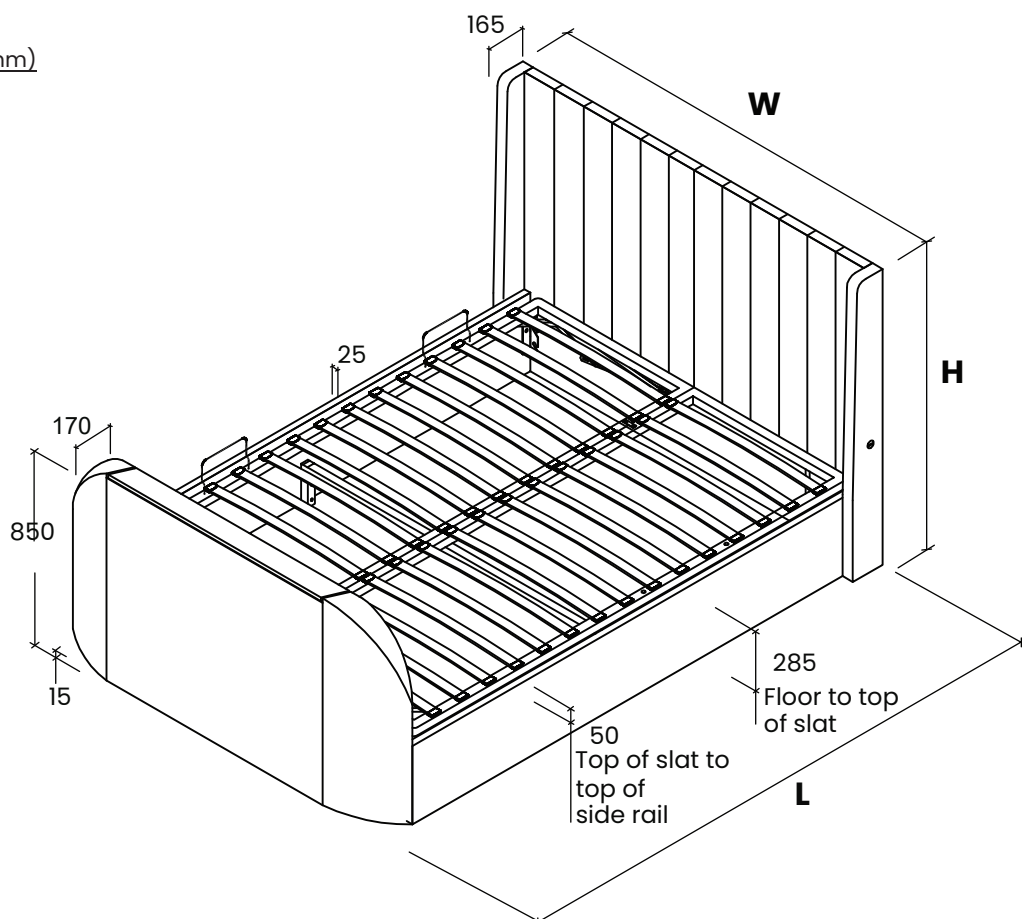
King: 747 x 53 x 9

Super King: 605 x 53 x 9

Ottoman Piston Rating

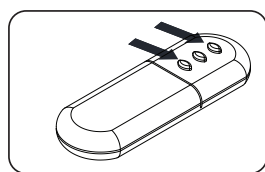
Double & King: 800N

Super King: 900N



Occasionally you may find the radio wave connection between remote control and TV Lift is lost, probably due to atmospheric conditions. In that case please follow these simple instructions:

- ①. Disconnect all mains electric power to the bed, for at least 60 seconds.
- ②. Press UP or DOWN Button on Remote Control and keep holding button down, simultaneously re-connect mains electric power to bed keeping button down, for at least a further 5 seconds. TV Lift unit receives signal from Remote Control and lift will begin move UP or DOWN whichever direction is appropriate.
- ③. Re-connection is now complete.



Please dispose of all packaging safely.

General Care & Maintenance

Wipe clean with a slightly damp cloth or if fabric use a low suction vacuum cleaner to remove dust.

Avoid the use of all household cleaners and abrasives.

Periodically check all screw & fixings to ensure they are secure.

When moving your product, carefully lift into place. Never drag or push the pieces across the floor as this will cause damage to the joints and could result in failure to the product that will invalidate the warranty.

For more information on cleaning and product care visit:

<https://www.happybeds.co.uk/help-and-advice>

Notes

We've tried to make this product as easy to assemble as possible. In the unlikely event that you have problems putting it together or have damaged or missing pieces, please contact us by visiting:

<https://www.happybeds.co.uk/customer-service>



Happy beds™

www.happybeds.co.uk

www.happybeds.co.uk