

Assembly Instructions

Important before assembly:

Read these instructions carefully before assembling or using the product.

Please check the contents of the boxes before attempting to assemble this product. The instructions will have a checklist of parts and fittings.

Assemble the product as close to its intended final location/room as possible.

Health & Safety:

This product or some parts of this product will be heavy. Please use an assistant when lifting.

Please keep small parts out of reach of children.

Always use on a level, even surface.

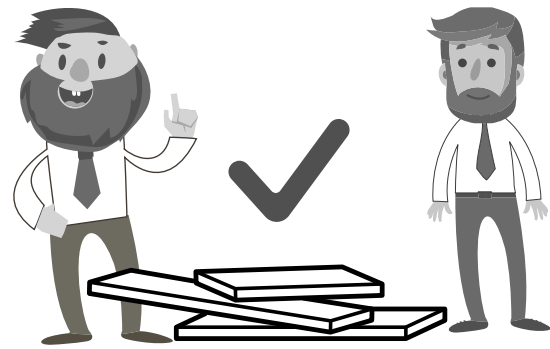
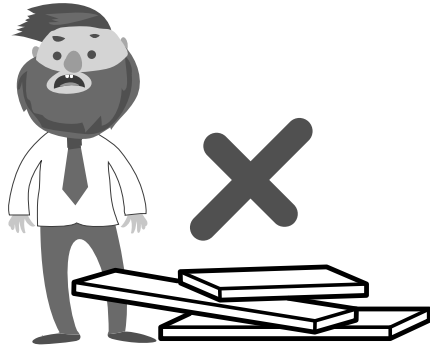
DO NOT jump on the product or any of its parts.

DO NOT use this product if any parts are missing, damaged or worn.

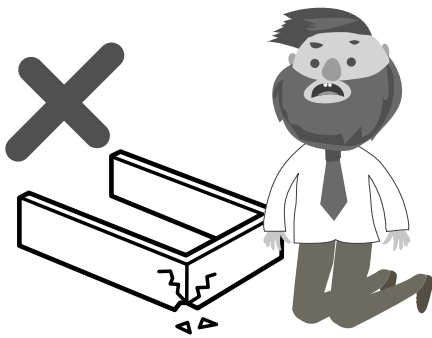
DO NOT use this product unless all fixings are secured.

Further instructions are on the following pages.

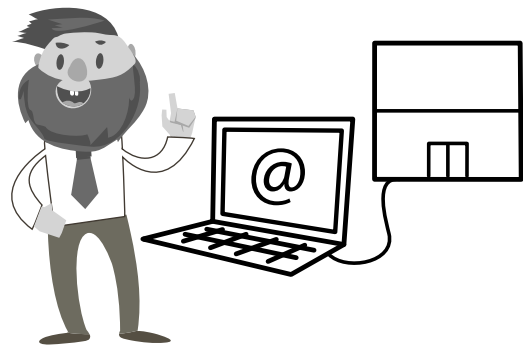
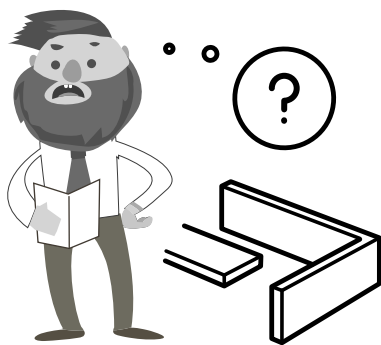
Please keep these instructions for future reference.



This product or some parts of this product will be heavy. Please use an assistant when lifting.



Never drag or push the pieces across a hard or stone floor as this will cause damage to the joints. Use a carpet or a rug for extra care.



If you have problems assembling or have damaged or missing pieces, please contact our customer services (details at the back of these instructions)



Important for High Sleepers, Bunk Beds and Children's Beds

Warning:

High sleepers and the upper tier of bunk beds are not suitable for children under 6 years of age due to risk of injury from falls.

High Sleepers and Bunk Beds present a risk of injury from strangulation if used incorrectly. Never attach or hang anything on any part of the bed that is not designed to be used with the bed, for example, but not limited to ropes, strings, cords, hooks, belts and bags.

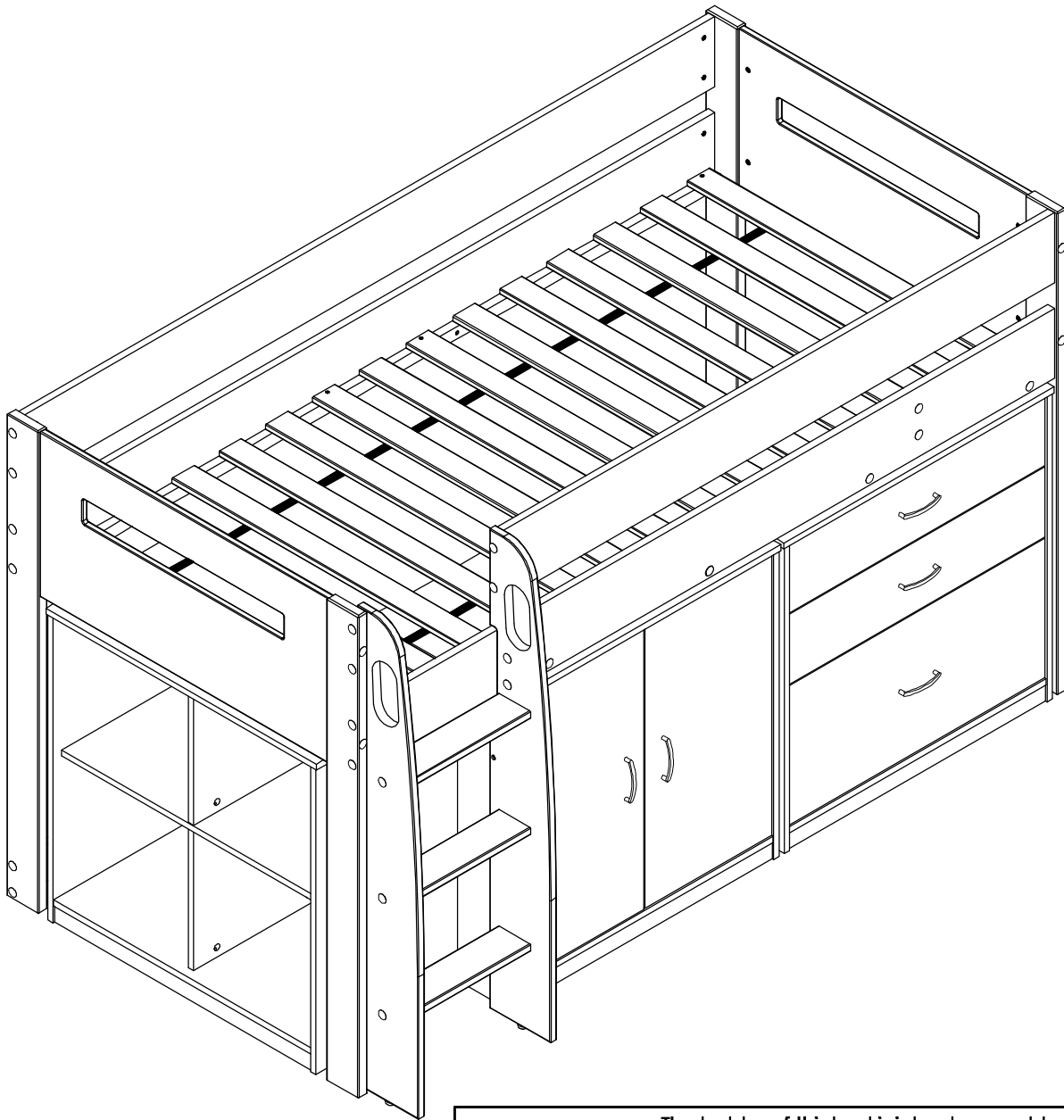
Children can become trapped between the bed and the wall, a roof pitch, the ceiling and other pieces of furniture (e.g. wardrobes). To avoid risk of serious injury, the distance between the top safety barrier and any adjoining structure shall not exceed 75mm or shall be more than 230mm.

Maximum thickness of a mattress on the top tier is 18cm. Please refer to the label or marking on the headboard.

This bed has been tested by an independent laboratory and is in compliance with BS EN 747-1 : 2012+A1:2015 - Standard Consumer Safety specification for bunk beds & high sleepers.

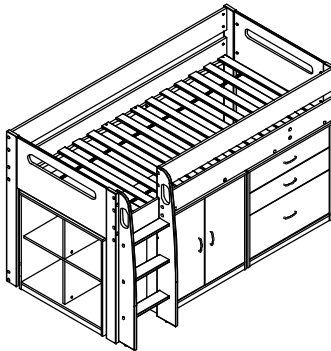
LACY MIDSLEEPER

Assembly Instructions

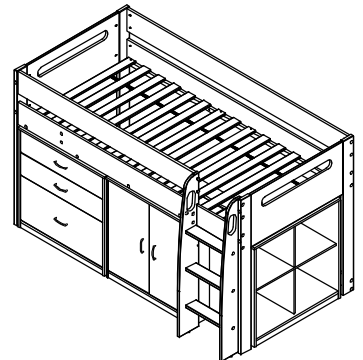


The ladder of this bed is interchangeable.

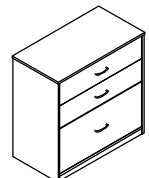
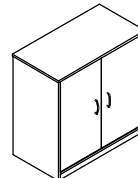
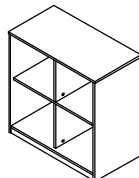
Option 1



Option 2



Please make sure the 3 drawer chest / 2 door unit / quad unit have already been assembled prior to building the frame.



SAFETY ADVICE

Please take the time to carefully read through the whole of these instructions before you commence.

Keep these instructions for future reference.

Unpack, inspect and check of all of the contents.

Please dispose of all packing safely.

Small components parts could choke a child is swallowed.

We strongly recommend that you keep children well away from the work area.

It would be sensible to lay a sheet or blanket on the floor where you intend to work to avoid

Scratching this product and protect your floor.

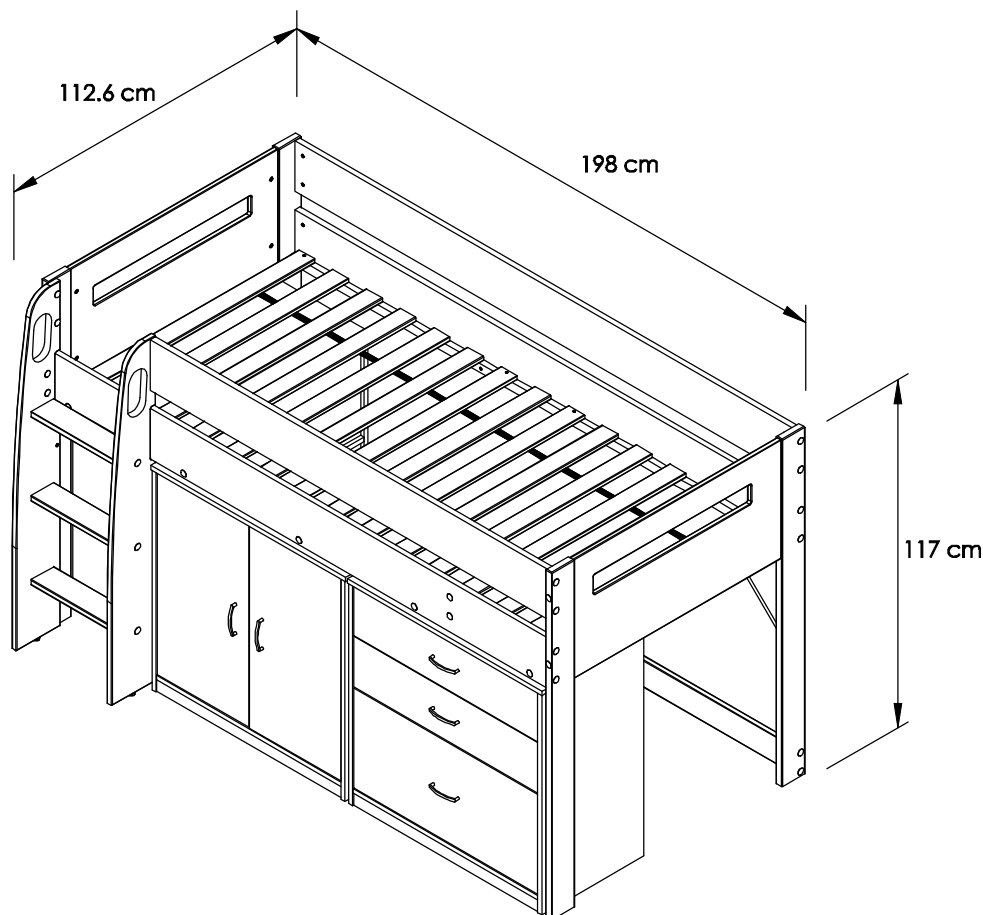
This product is heavy. Take extreme care when lifting to avoid personal injury or damage to the product.

This bed is heavy. Always lift this bed with two people.

Assemble the product as close to its intended final position in the room as possible.

Keep any sharp object away from the bed frame.

HANDY HINT: If you keep the hardware in a bowl during assembly you will be less likely to lose them.



LACY MIDSLEEPER SAFETY WARNINGS AND GENERAL NOTES: IMPORTANT - READ CAREFULLY - RETAIN FOR FUTURE REFERENCE

WARNING - High beds and the upper bed of bunk beds are not suitable for children under six years due to the risk of injury from falls.

WARNING - Bunk beds and high beds can present a serious risk of injury from strangulation of not used correctly. Never attach or hang items to any part of the bunk bed that are not designed to be used with the bed, for example, but not limited to ropes, strings, cards, hooks, belts and bags.

WARNING - Children can become trapped between the bed and the wall, a roof pitch, the ceiling, adjoining pieces of furniture (e.g. cupboards) and the like. To avoid risk of serious injury the distance between the top safety barrier and the adjoining structure shall not exceed 75mm or shall be more than 230mm.

WARNING - Do not use the bunk bed / high bed if any structural part is broken or missing.

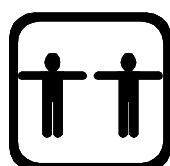
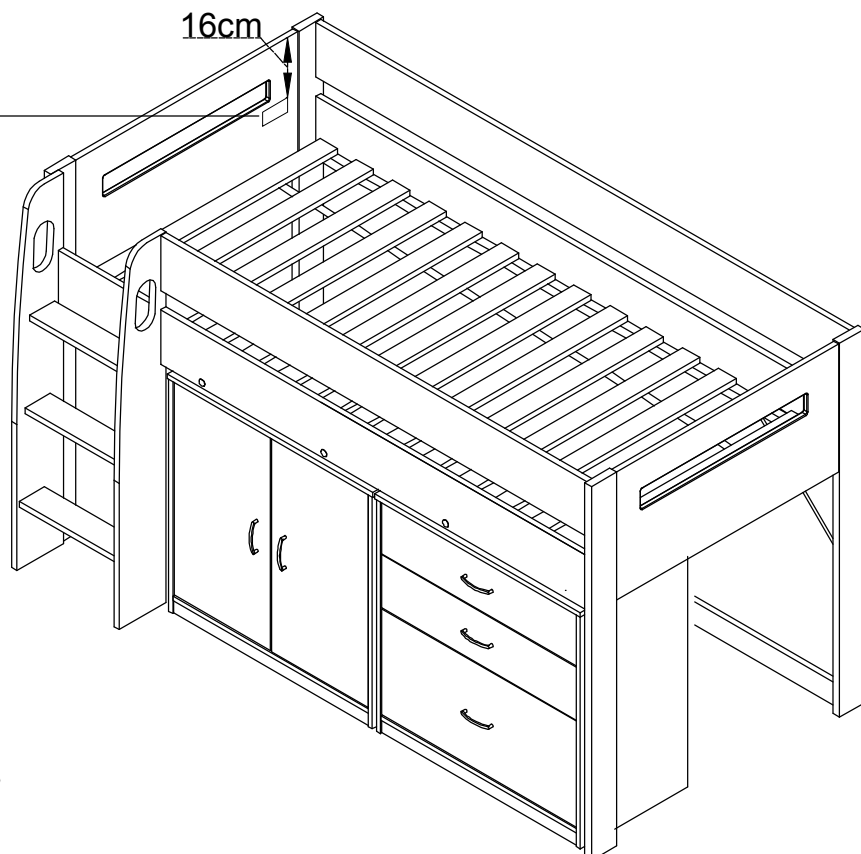
- Always follow the manufacturer's instruction.
- Prohibit horseplay on or under the bed. Always prohibit jumping on the bed.
- Prohibit more than one person on high bed and upper bunk.
- Always use the ladder for entering and leaving the high bed upper bed.
- Only use a mattress that is 1905mm (75") long and 915mm (36") wide on upper bunk bed. The top of the mattress shall be at least 160mm (6-1/4") below the edge of the safety barriers.
- Ensure thickness of mattress below the mark that had been made at the entrance of upper bunk.
- Ensure that ventilation of the room is necessary in order to keep the humidity low and to prevent mould in and around the bed.
- All assembly fastenings should always be tightened properly and that care taken that no fittings are loose.

WARNING - Do not use any power tools at this may damage the frame and will invalid any claim.

This item conforms the European Safety Standard - BS EN 747-1:2012+A

16cm

The top of the mattress
must not come above this
line



PART LIST

MODEL: LACY MIDSLEEPER

Carton 1 of 5

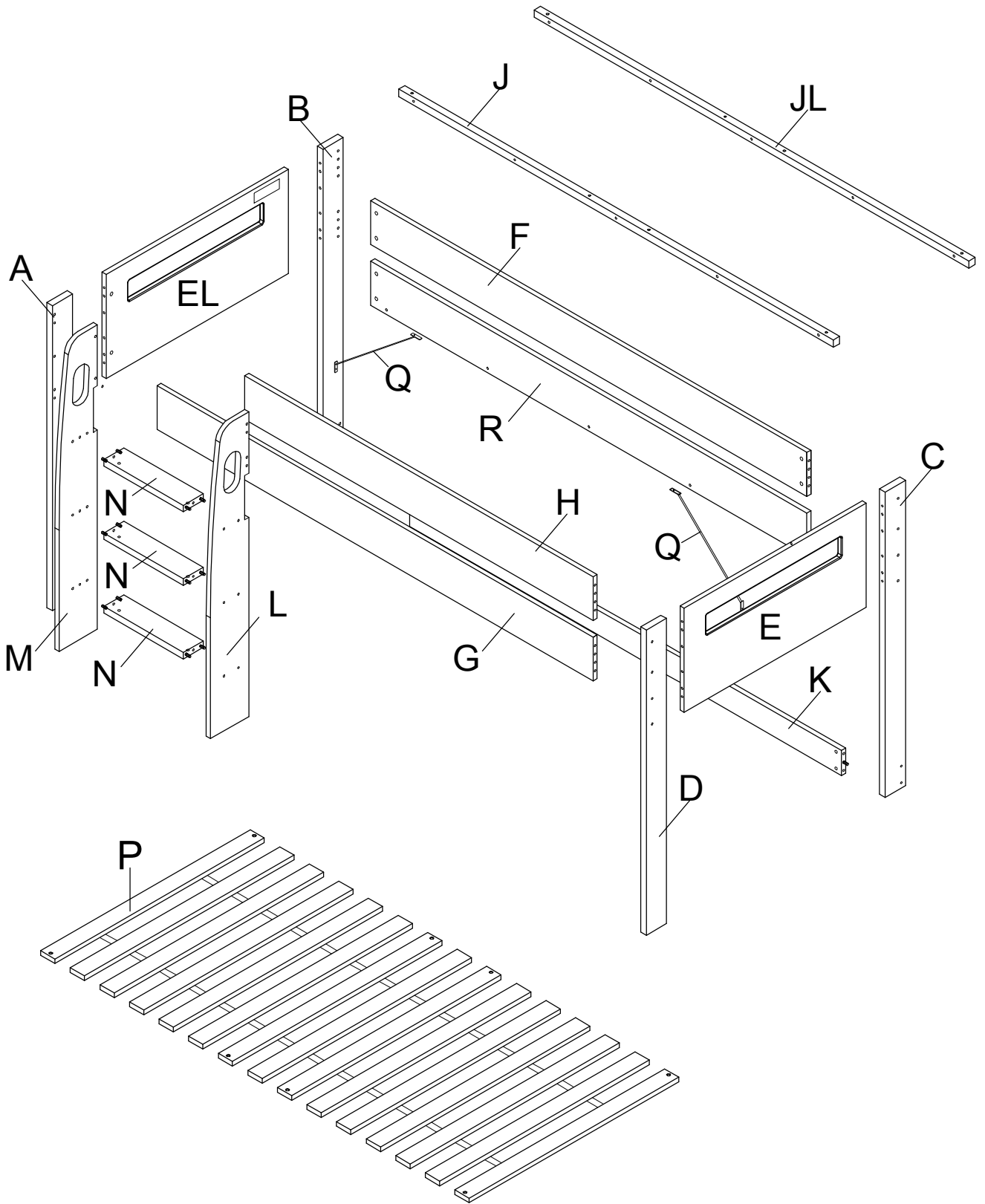
No.	Part Name	Pcs
A	LEG FL	1
B	LEG BL	1
C	LEG BR	1
D	LEG FR	1
E	FOOT BOARD PANEL	1
EL	HEADBOARD PANEL	1
P	SLAT	1

Carton 2 of 5

F	SIDE RAIL BACK - TOP	1
G	SIDE RAIL FRONT - BOTTOM	1
H	SIDE RAIL FRONT - TOP	1
J	SIDE RAIL CLEAT	1
JL	SIDE RAIL CLEAT	1
K	LEG SUPPORT RAIL	1
L	SIDE PANEL LADDER RIGHT	1
M	SIDE PANEL LADDER LEFT	1
N	STEP PANEL LADDER	3
Q	METAL BRACE	2
R	SIDE RAIL BACK - BOTTOM	1

FITTING LIST

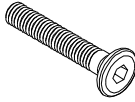
PARTS LIST



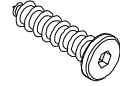
Hardware



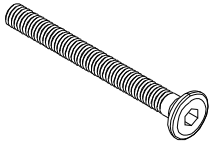
8 X 36
M6 X 13MM BARREL NUT



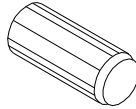
13 X 2
M6 X 35MM JCBC
BOLT SCREW



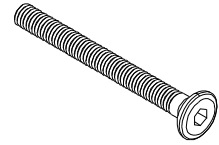
18 X 18
M7 X 32MM JCBC-W SCREW



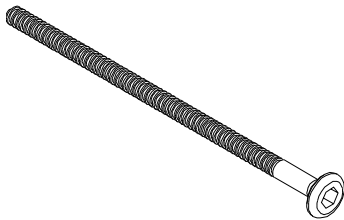
19 X 26
M6 X 60MM JCBC
BOLT SCREW



20 X 54
M8 X 25MM PVC DOWEL



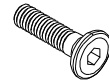
25 x 2
M6 x 50mm JCBC
BOLT SCREW



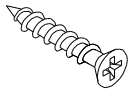
26 X 8
M6 X 110MM JCBC
BOLT SCREW



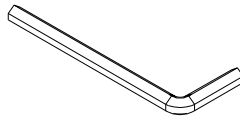
27 X 2
M6 X 12MM JOINT NUT



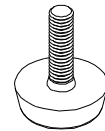
28 x 4
M6 x 20mm JCBC
BOLT SCREW



35 X 2
M4 X 30MM CHIPBOARD
SCREW



40 x 2
M4 ALLEN KEY

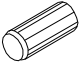


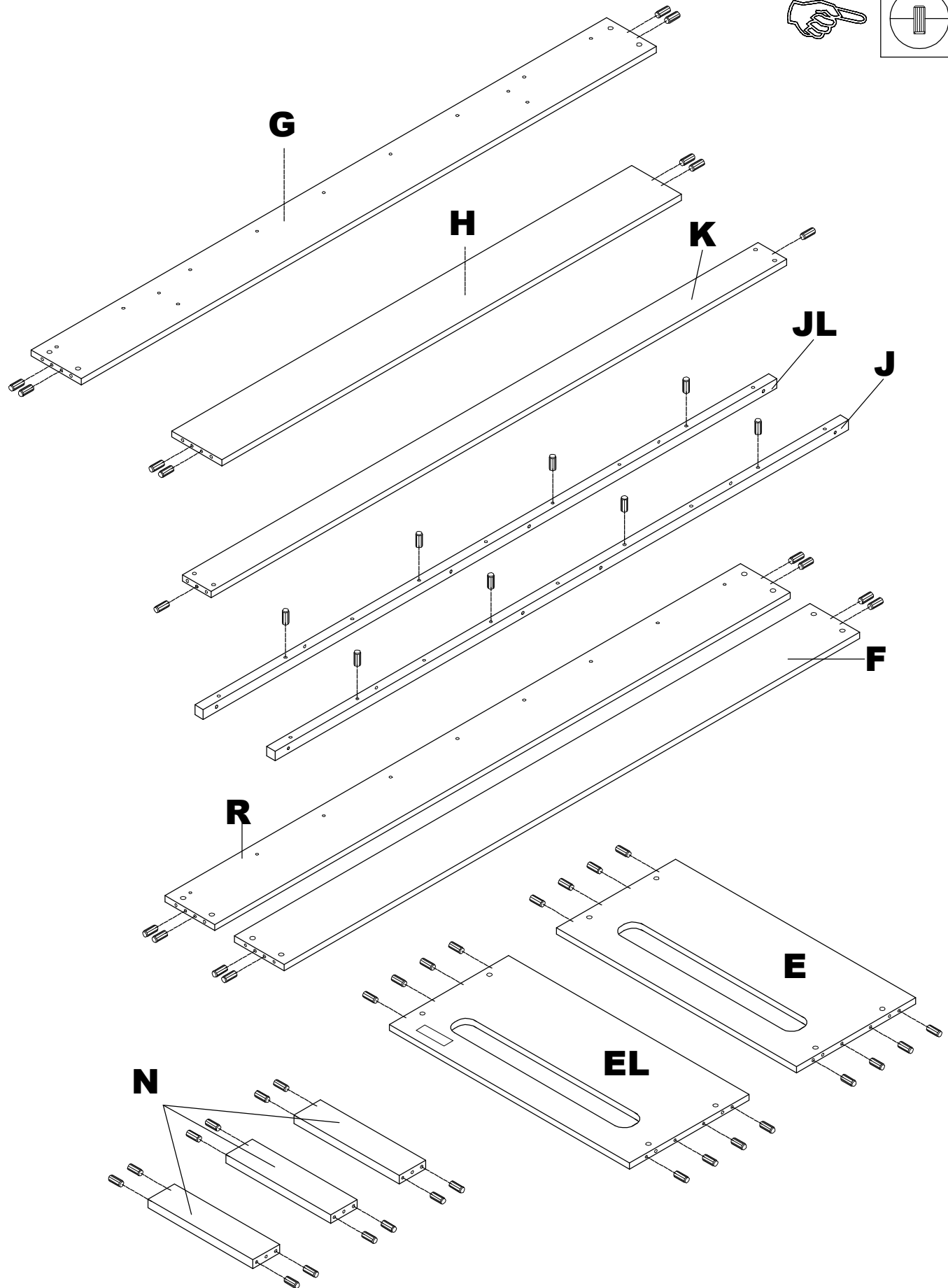
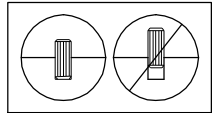
64 X 2
M6 X 15MM ADJUSTABLE
SCREW



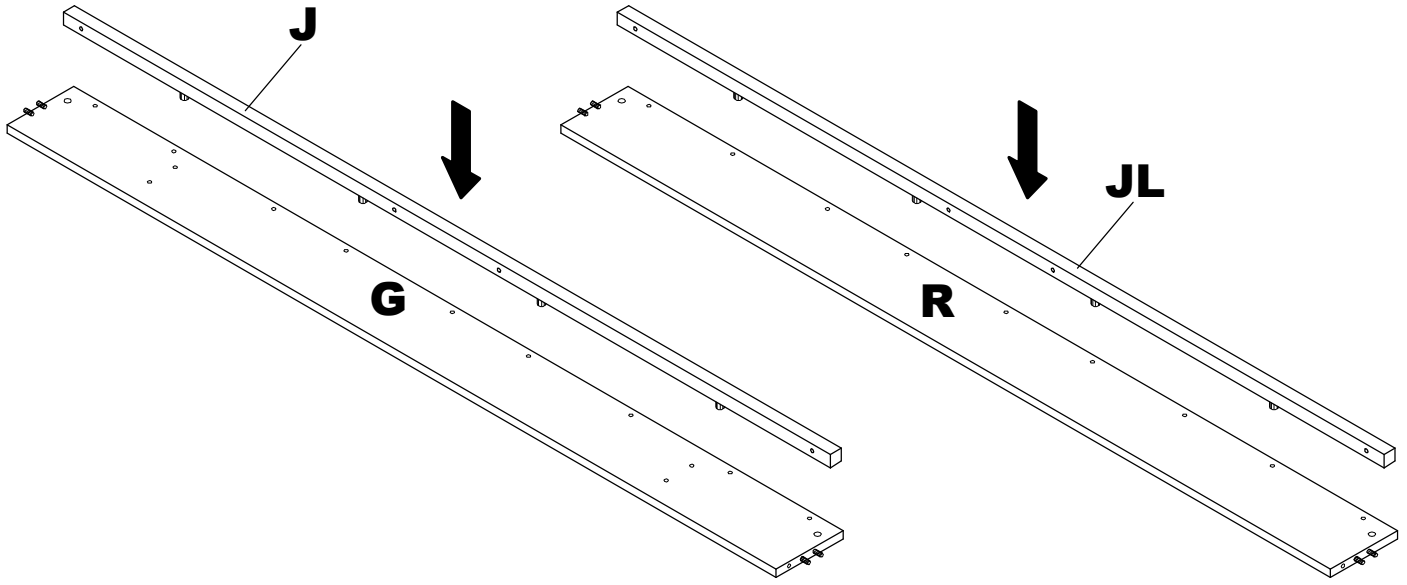
91 X 54
Ø20MM PVC STICKER

STEP 1 DO NOT use any power tools as this may damage the bed frame and will invalidate any claim.



20  **X54**

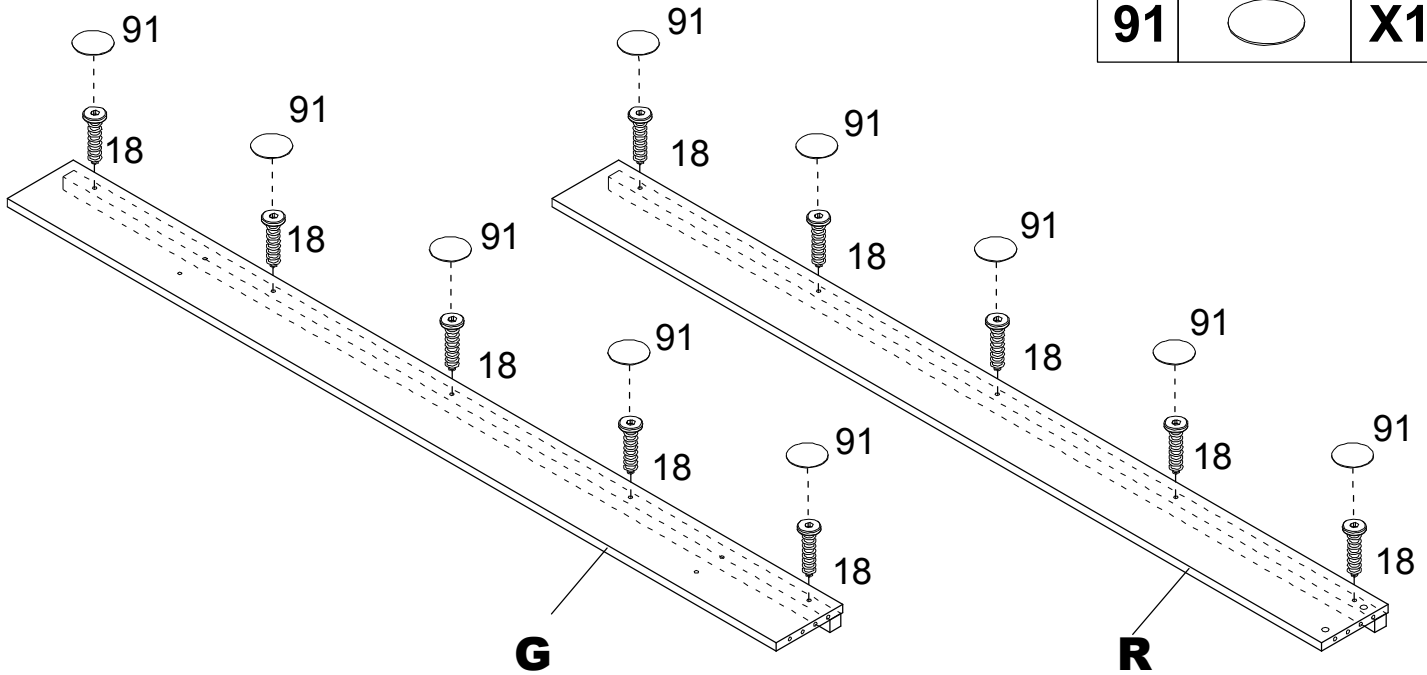


STEP 2 DO NOT use any power tools as this may damage the bed frame and will invalidate any claim.

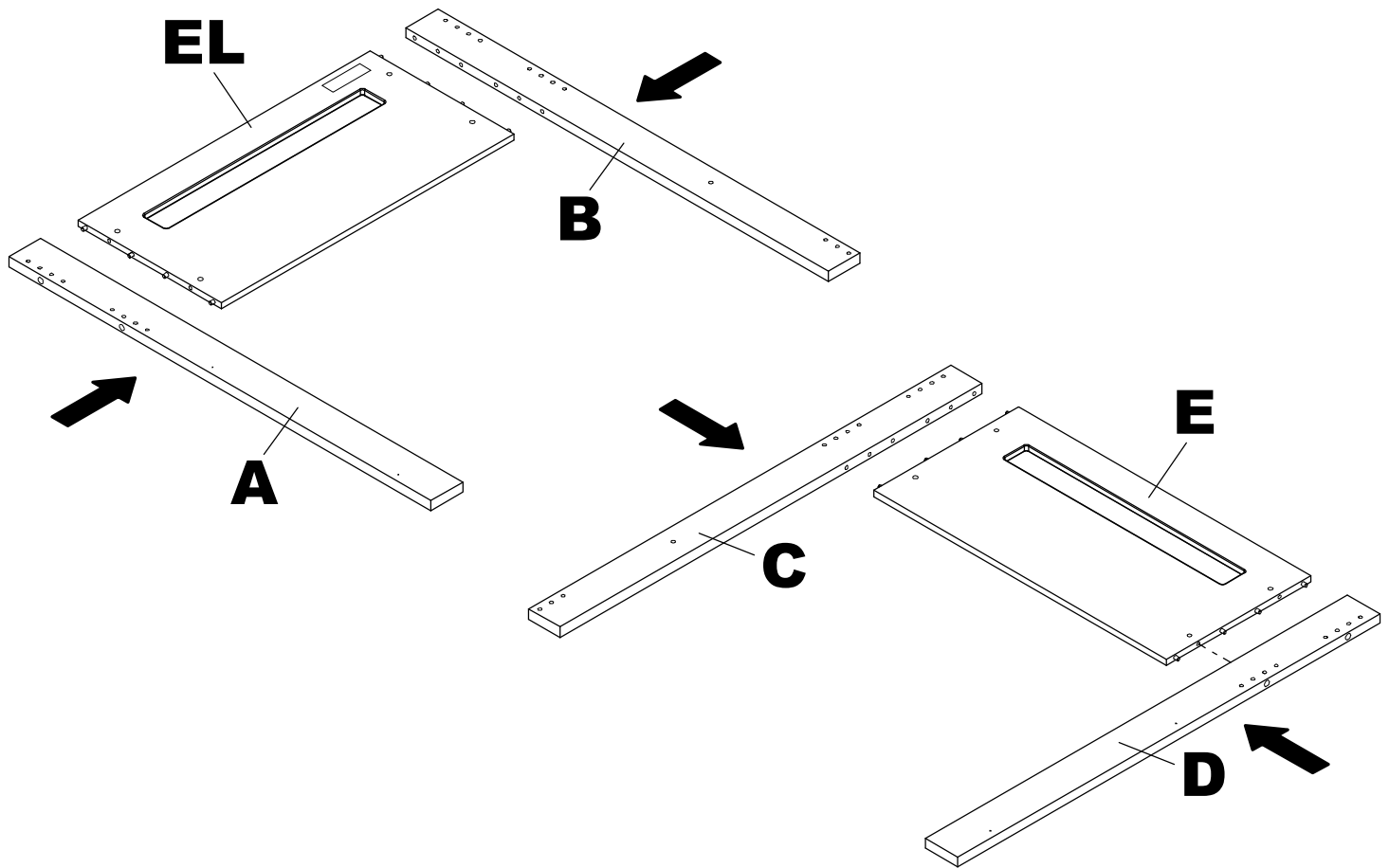


STEP 3 DO NOT use any power tools as this may damage the bed frame and will invalidate any claim.

18		X10
91		X10

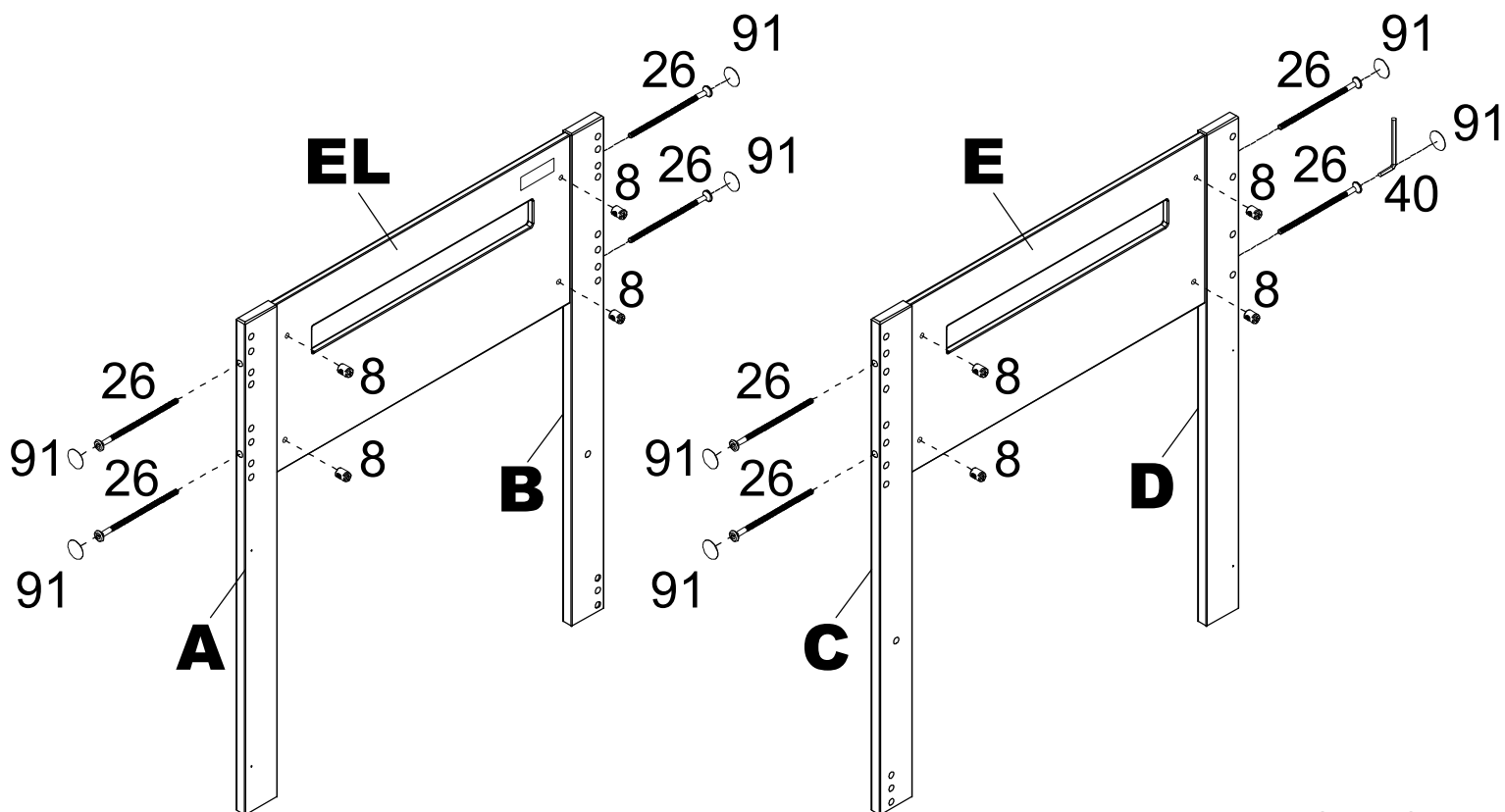


STEP 4 DO NOT use any power tools as this may damage the bed frame and will invalidate any claim.


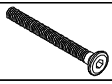




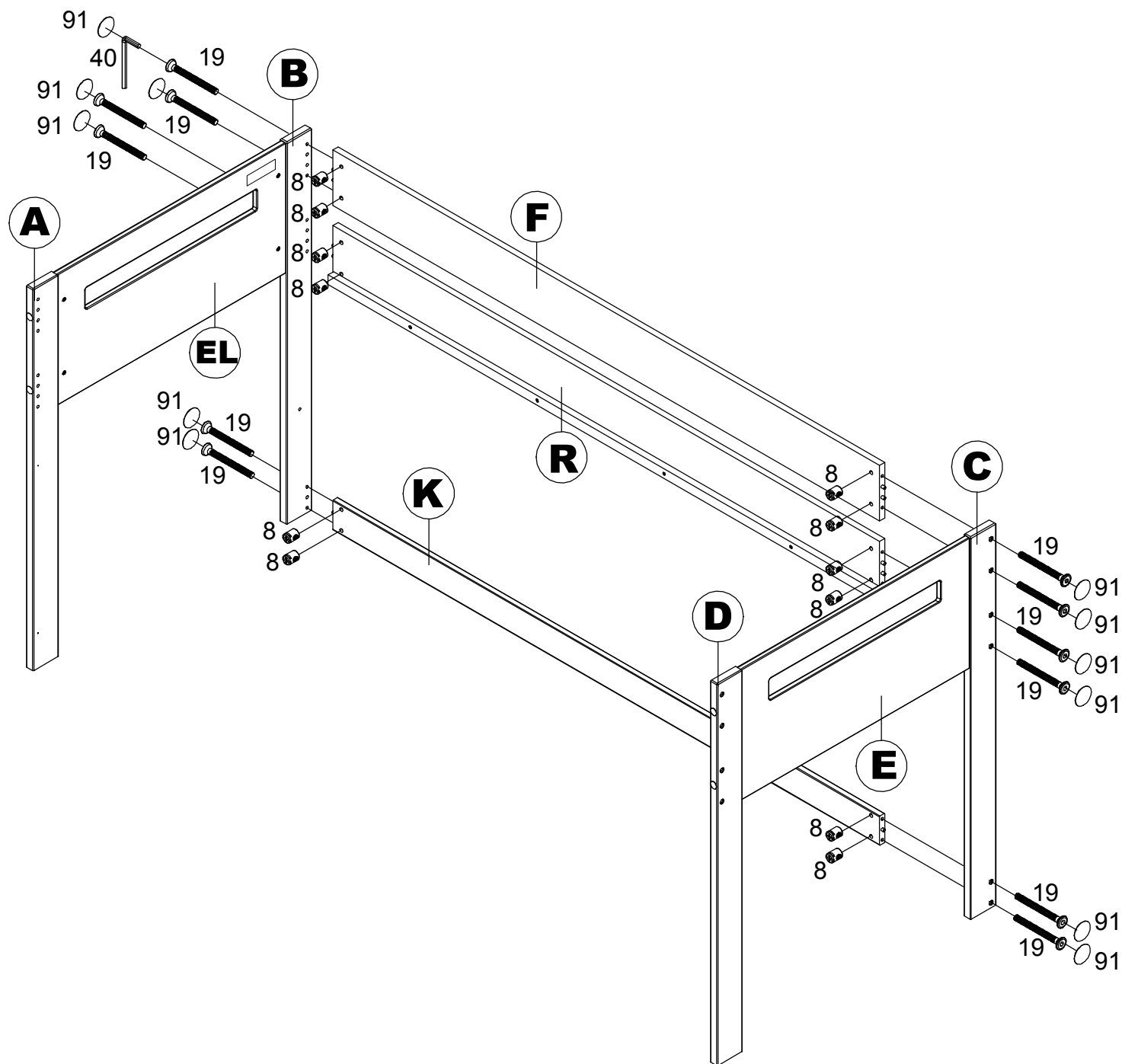
STEP 5 DO NOT use any power tools as this may damage the bed frame and will invalidate any claim.

8		X8
26		X8
40		X1
91		X8

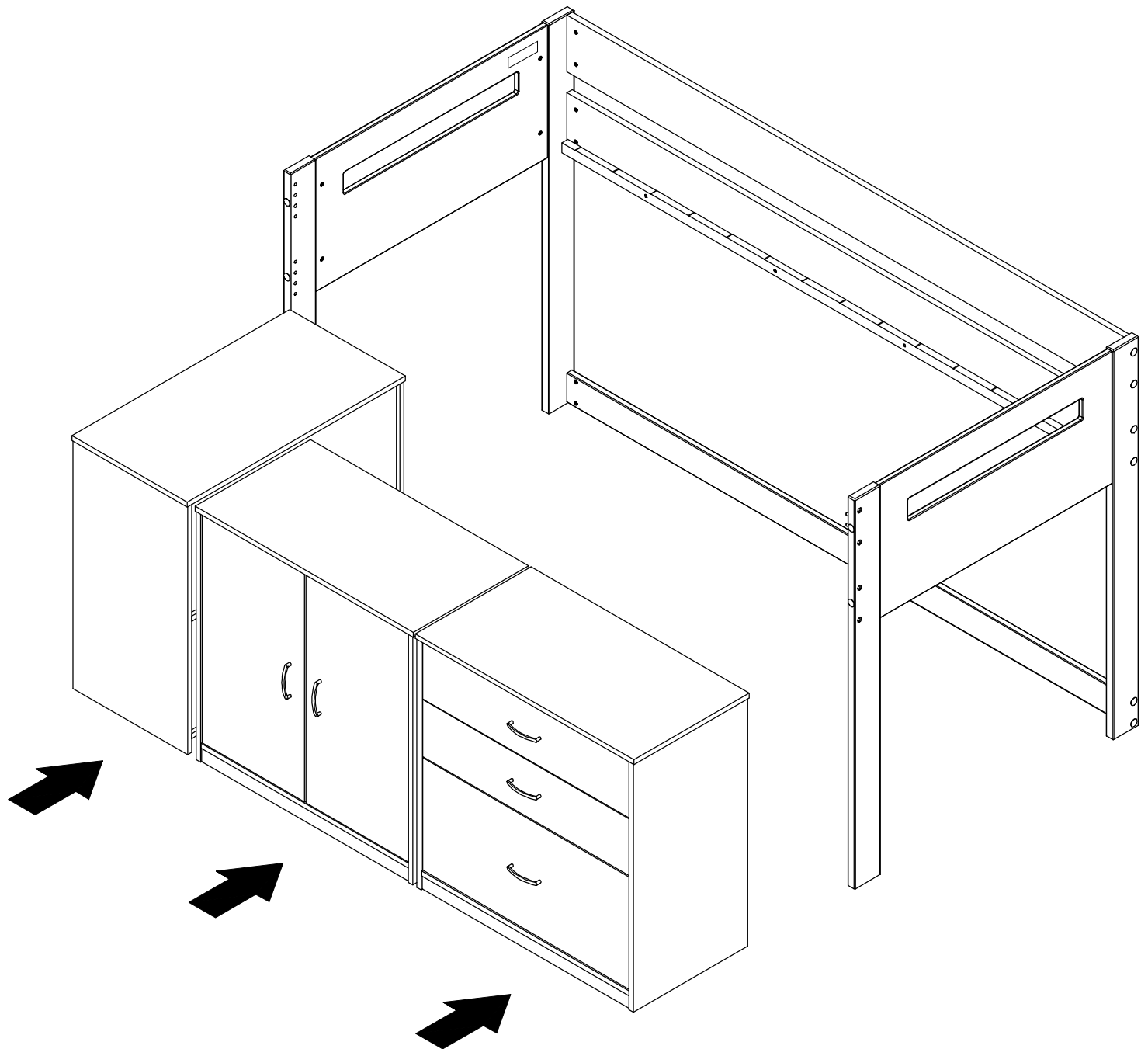


STEP 6 DO NOT use any power tools as this may damage the bed frame and will invalidate any claim.



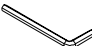

8		X12
19		X12
40		X1
91		X12

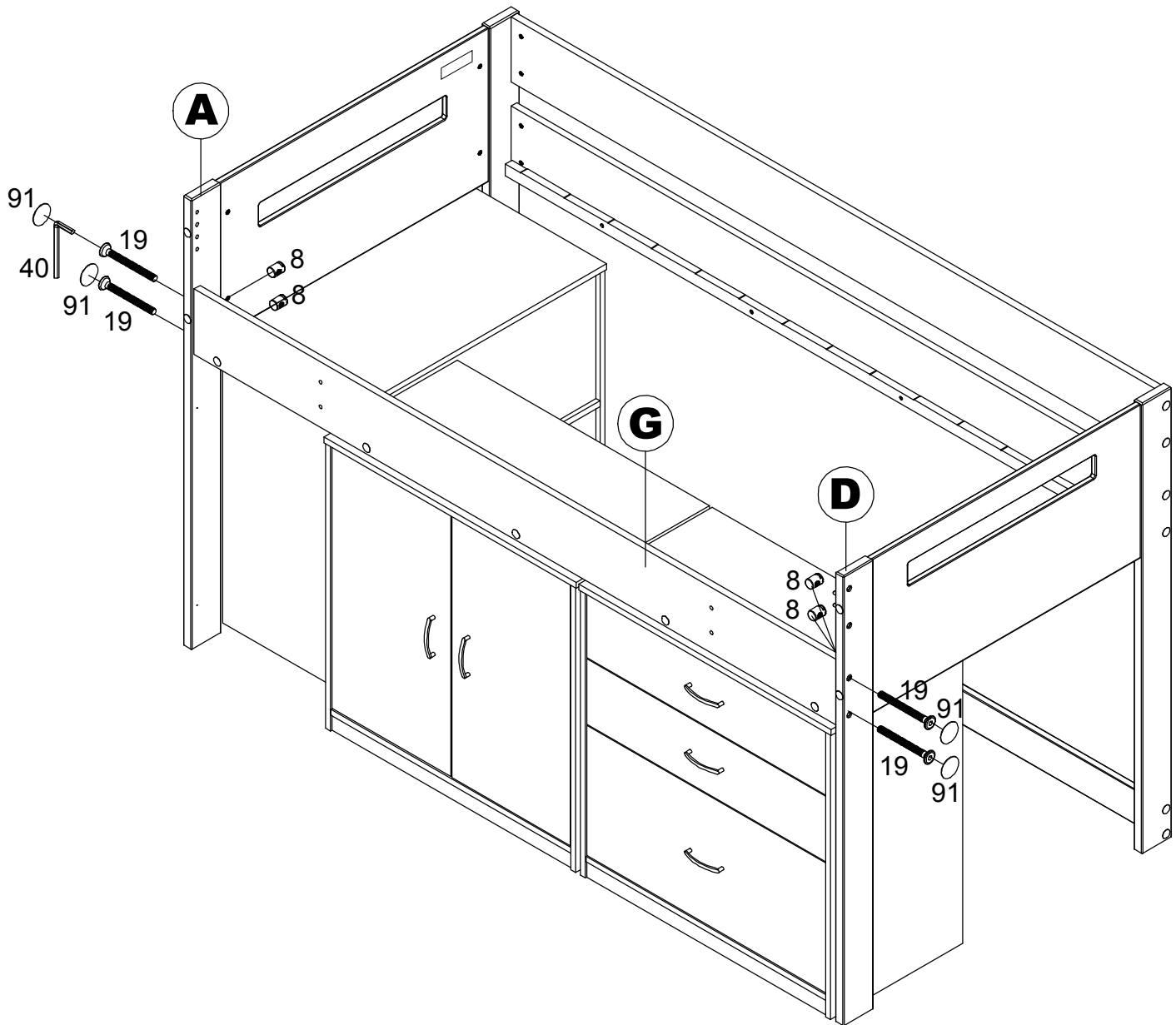


STEP 7 DO NOT use any power tools as this may damage the bed frame and will invalidate any claim.








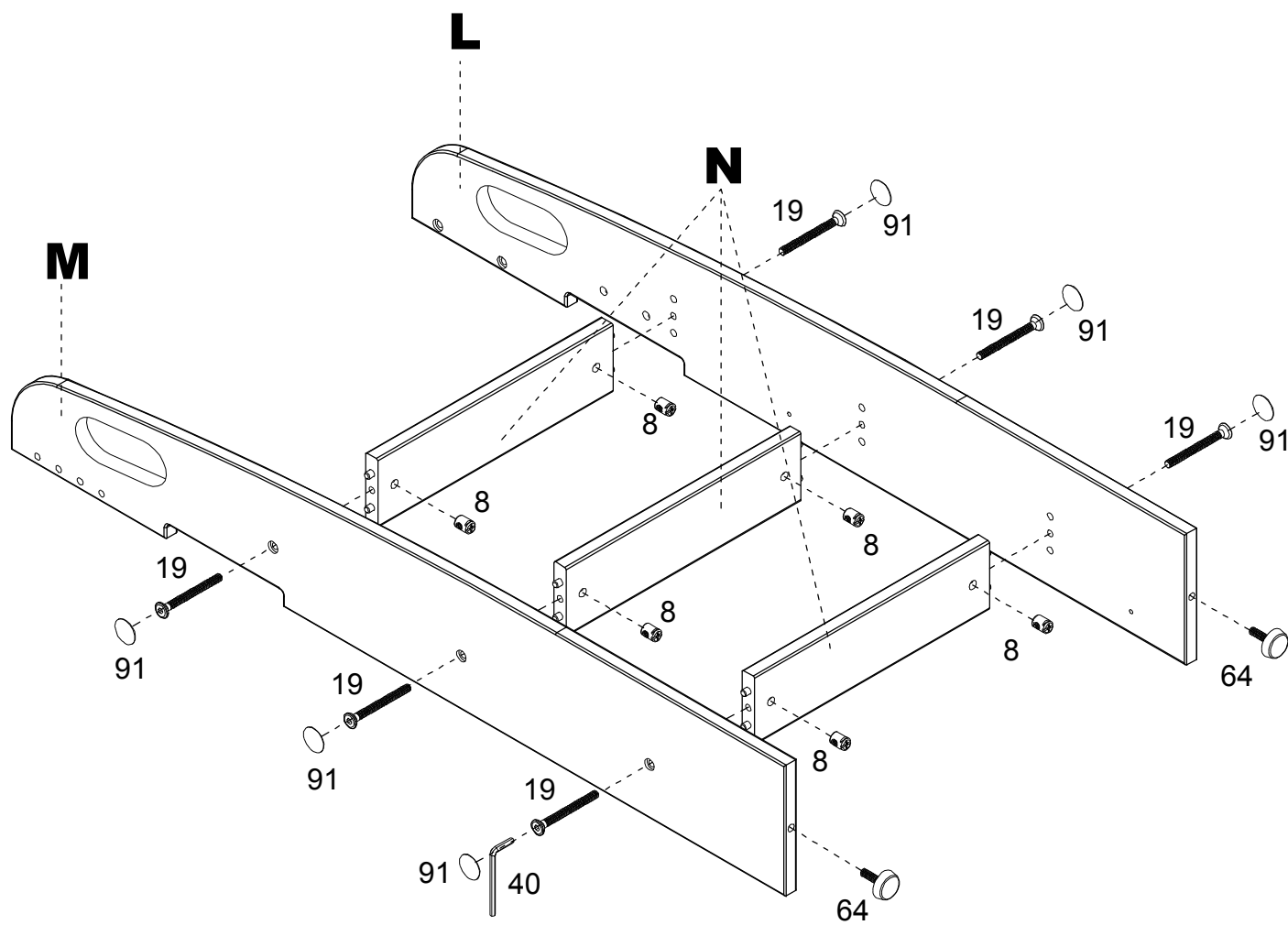
STEP 8 DO NOT use any power tools as this may damage the bed frame and will invalidate any claim.

8		X4
19		X4
40		X1
91		X4



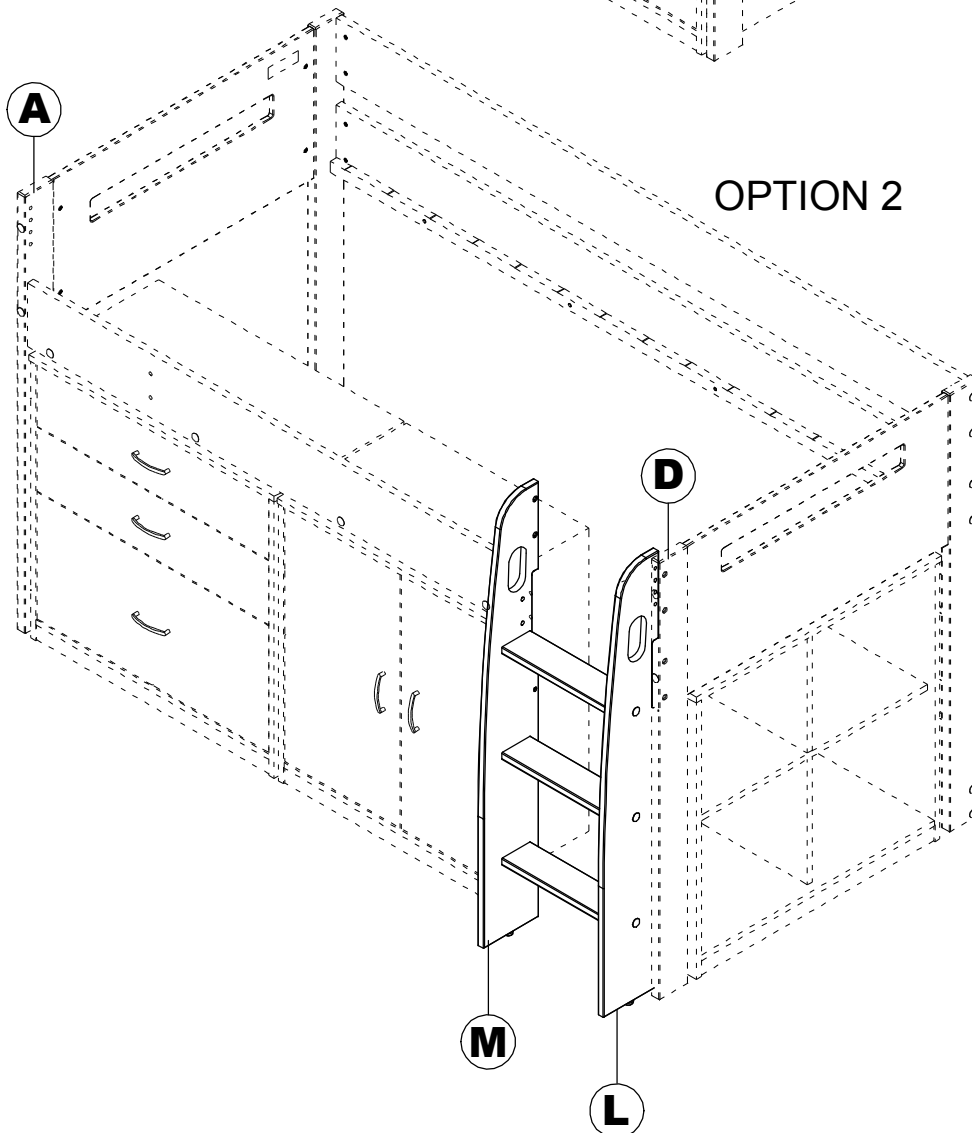
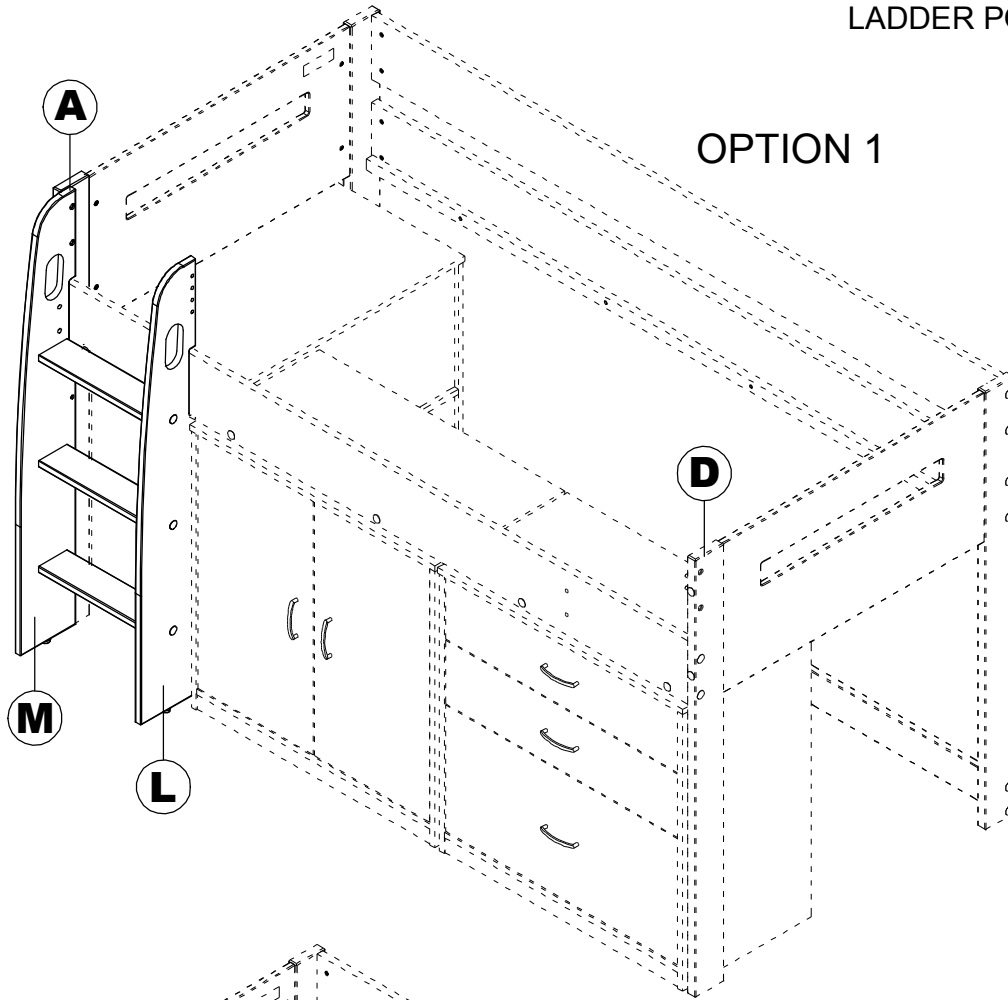
STEP 9 DO NOT use any power tools as this may damage the bed frame and will invalidate any claim.

8		X6
19		X6
40		X1
64		X2
91		X6



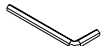



STEP 10 DO NOT use any power tools as this may damage the bed frame and will invalidate any claim.

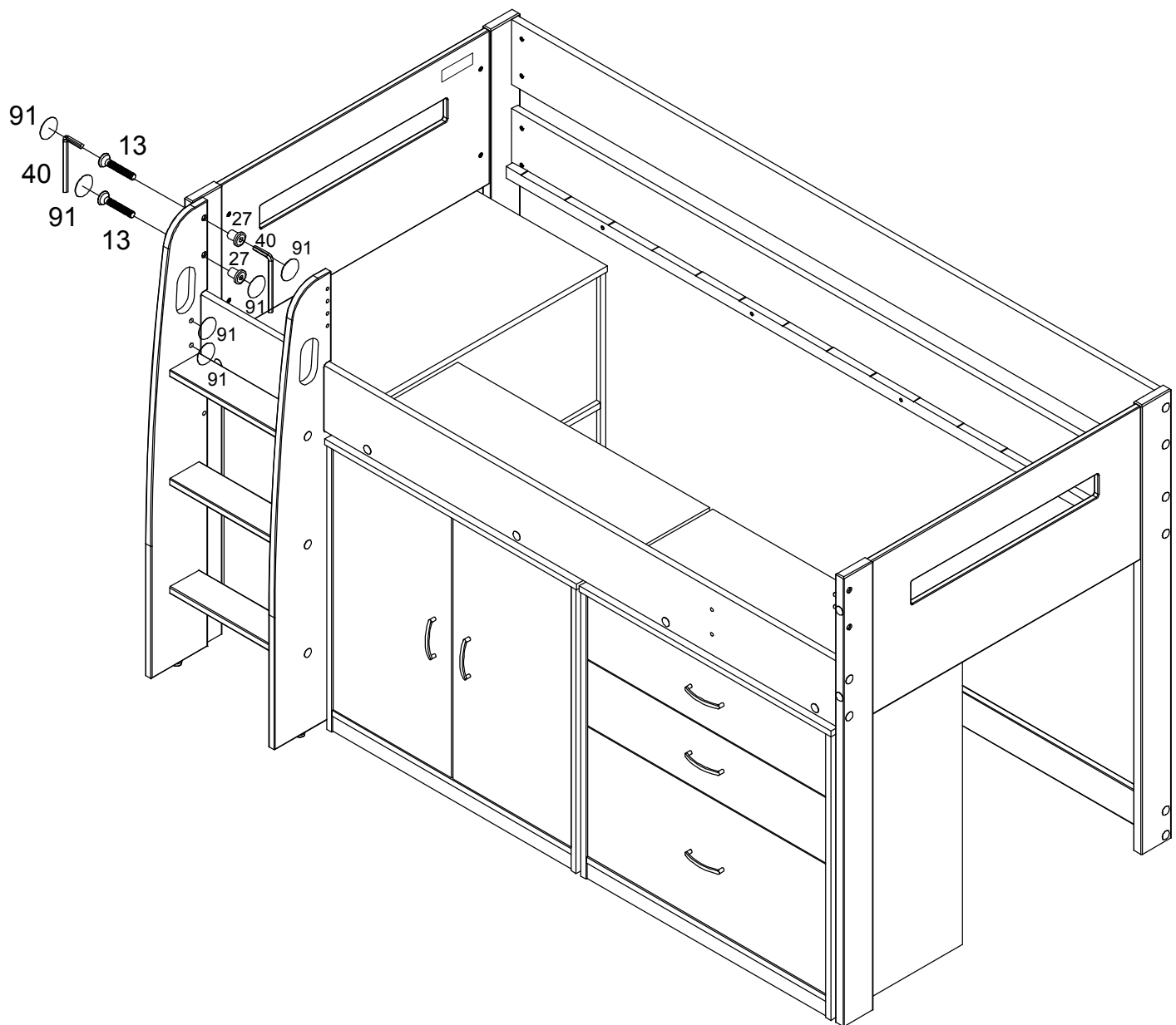
LADDER POSITION OPTION








STEP 11 DO NOT use any power tools as this may damage the bed frame and will invalidate any claim.

13		X2
27		X2
40		X1
91		X6

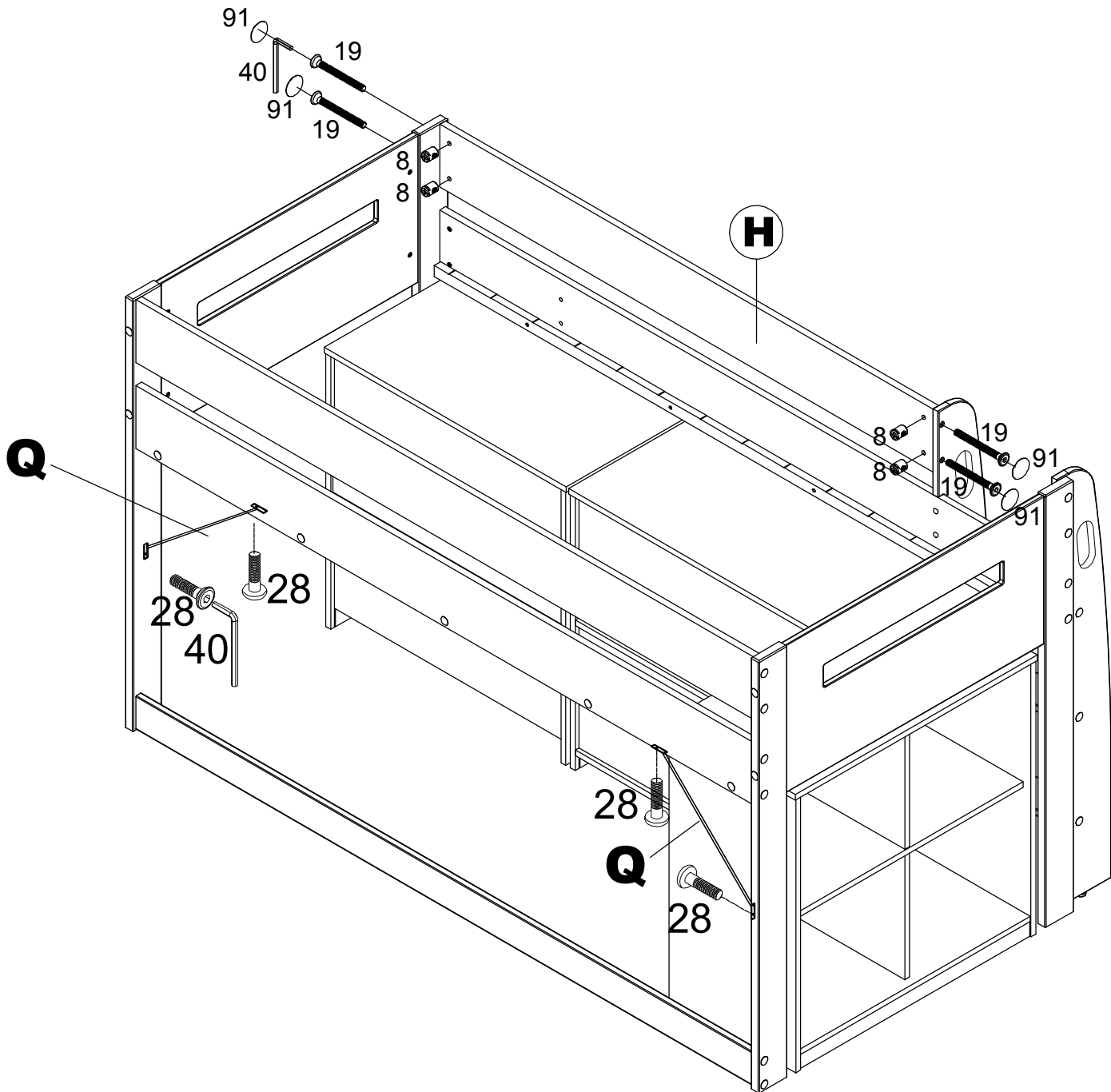
OPTION 1








STEP 12 DO NOT use any power tools as this may damage the bed frame and will invalidate any claim.

8		X4
19		X4
40		X1
91		X4
28		X4

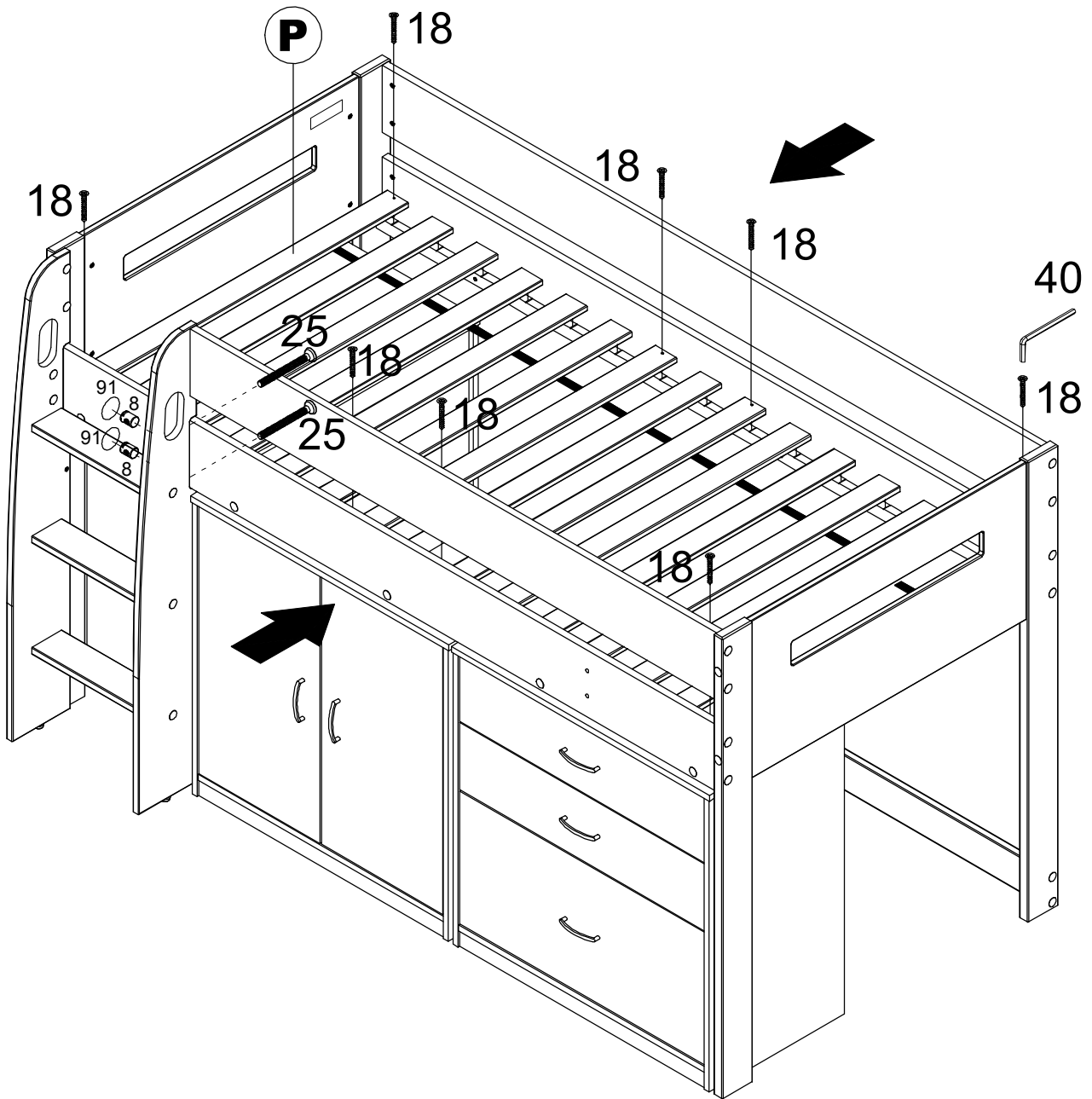
OPTION 1





STEP 13 DO NOT use any power tools as this may damage the bed frame and will invalidate any claim.

18		X8
40		X1
91		X2
25		X2
8		X2

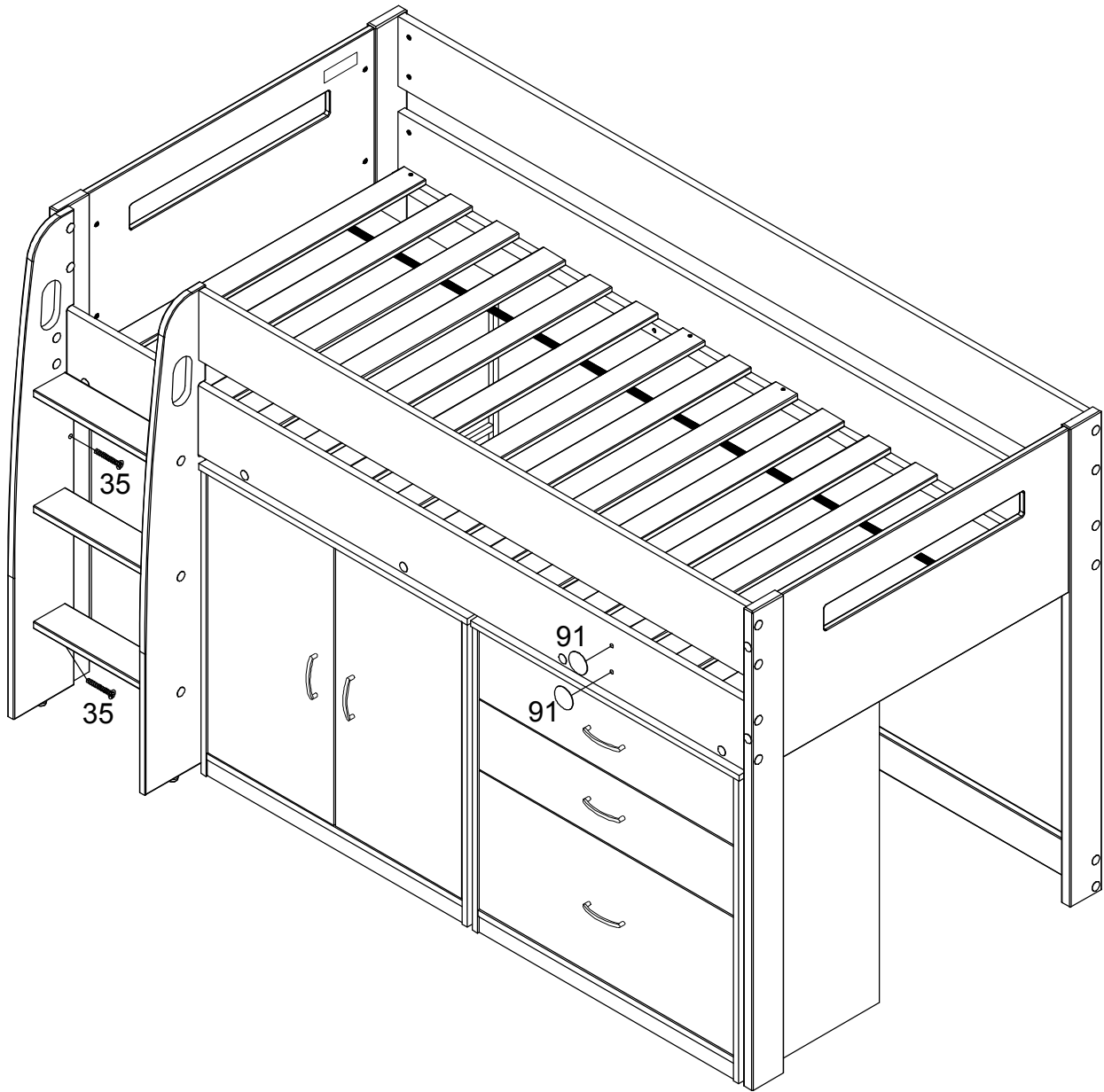
OPTION 1





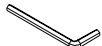

STEP 14 DO NOT use any power tools as this may damage the bed frame and will invalidate any claim.

91		X2
35		X2

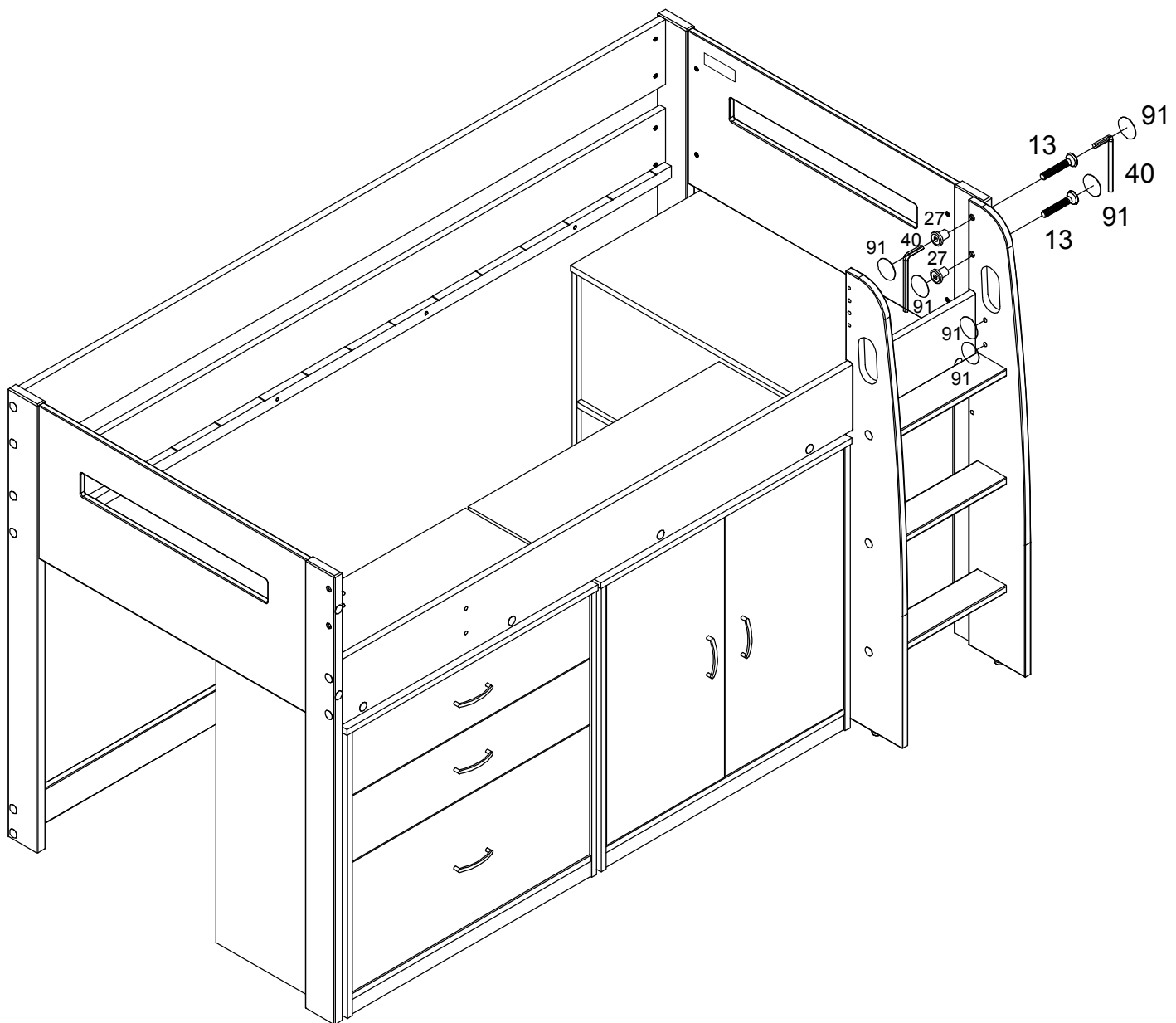
OPTION 1
FINISH





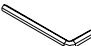


STEP 11 DO NOT use any power tools as this may damage the bed frame and will invalidate any claim.

13		X2
27		X2
40		X1
91		X6

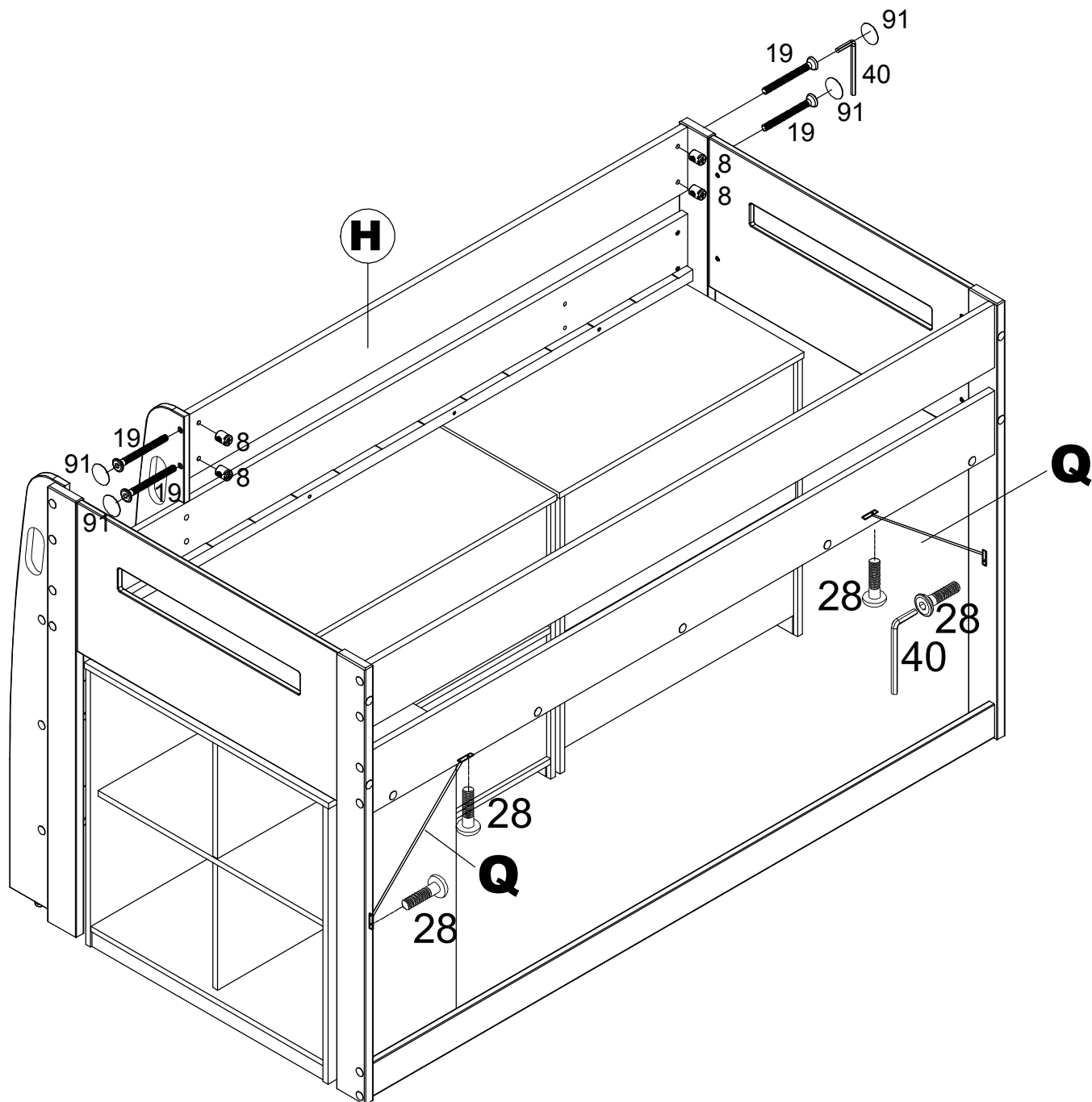
OPTION 2



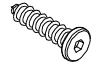




STEP 12 DO NOT use any power tools as this may damage the bed frame and will invalidate any claim.

8		X4
19		X4
40		X1
91		X4
28		X4

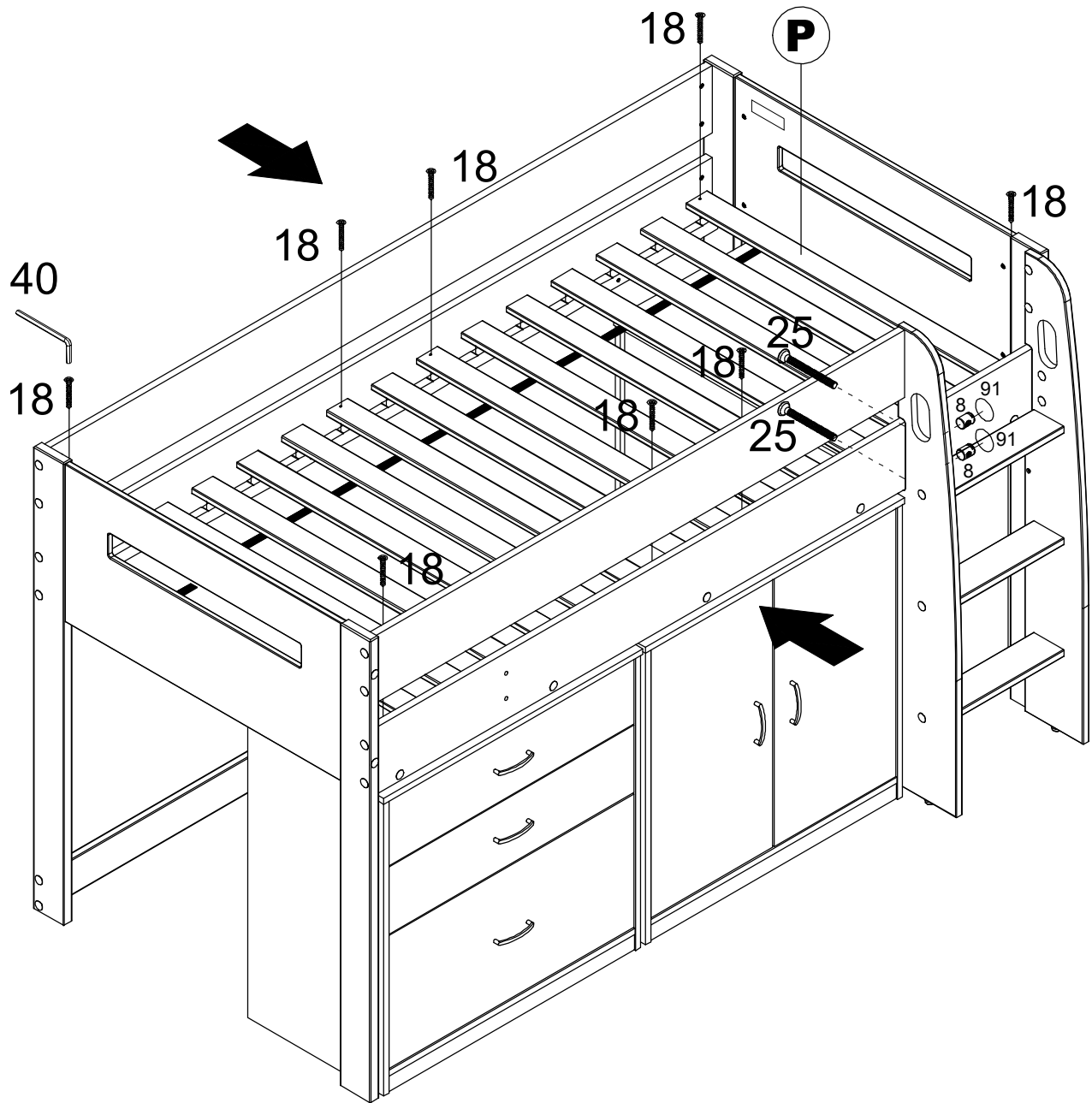
OPTION 2





STEP 13 DO NOT use any power tools as this may damage the bed frame and will invalidate any claim.

18		X8
40		X1
91		X2
25		X2
8		X2

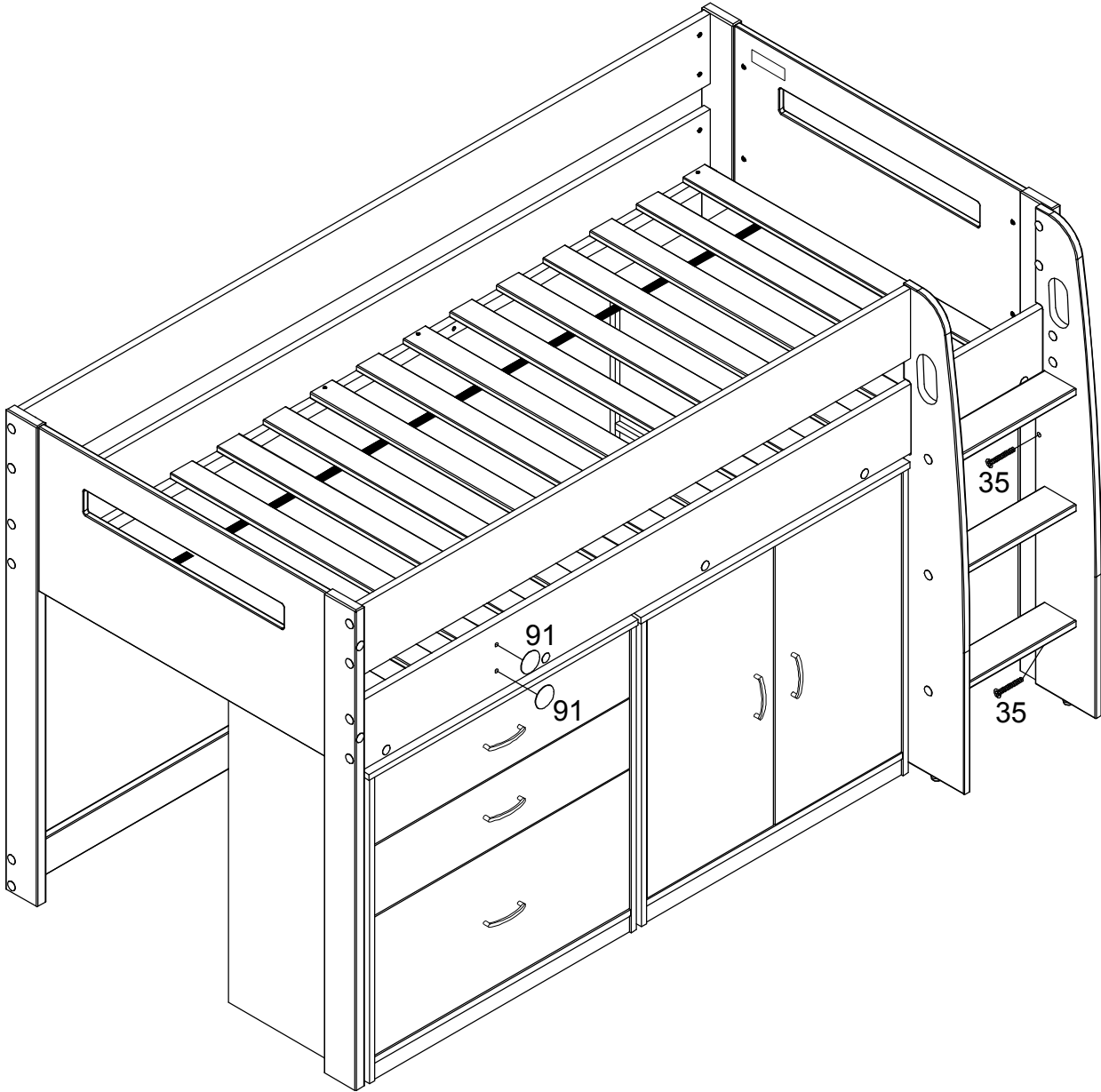
OPTION 2



STEP 14 DO NOT use any power tools as this may damage the bed frame and will invalidate any claim.

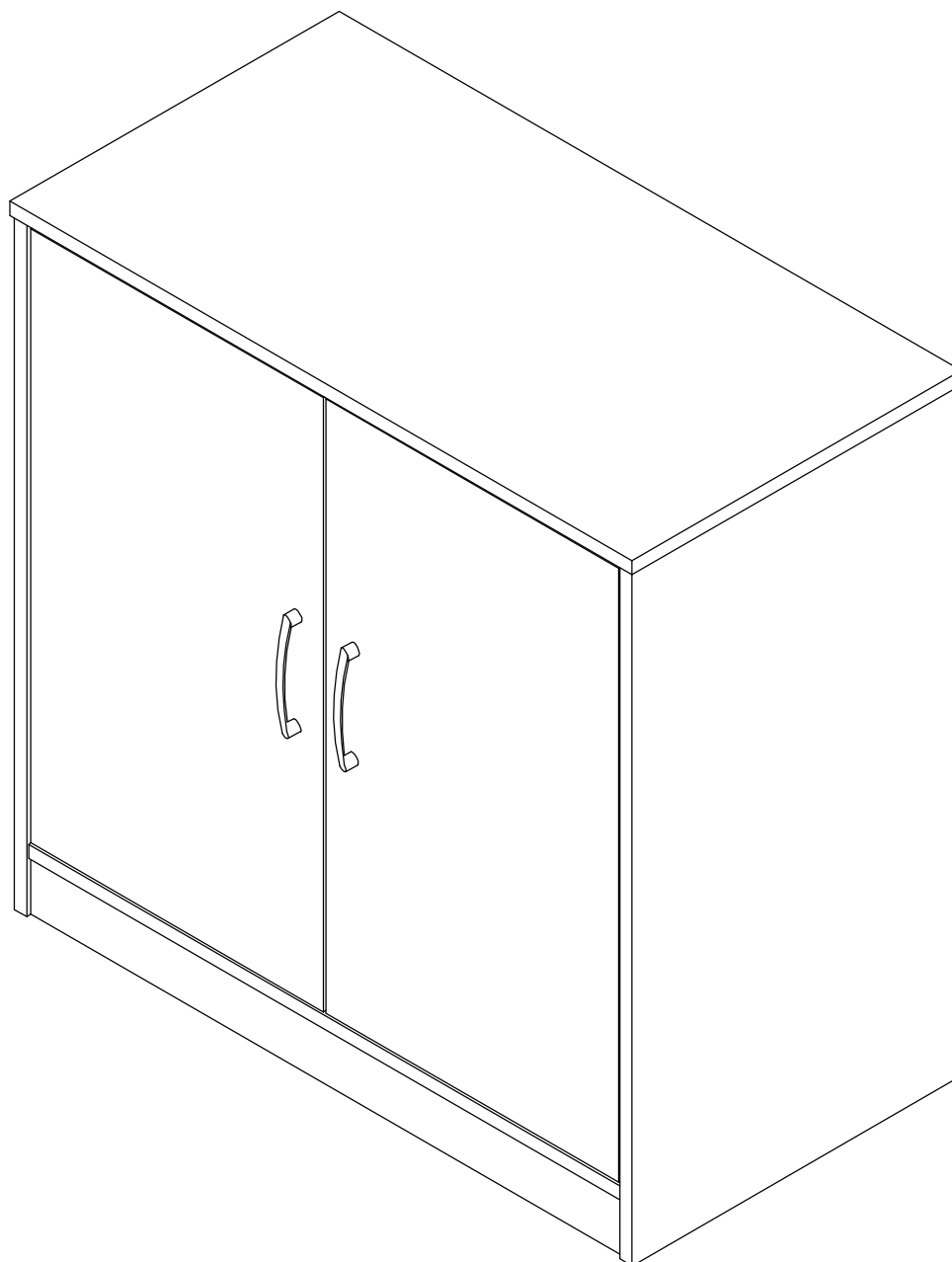
91		X2
35		X2

OPTION 2
FINISH



MIDSLEEPER - 2 Door Cabinet

ASSEMBLY INSTRUCTION



SAFETY ADVICE

Please take the time to carefully read through the whole of these instruction before you commence.

Keep these instruction for future reference.

Unpack,inspect and check of all of the contents.

Please dispose of all packing safely.

Small components parts could choke a child is swallowed.

We strongly recommend that you keep children well away from the work area.

It would be sensible to lay a sheet or blanket on the floor where you intend to work to avoid

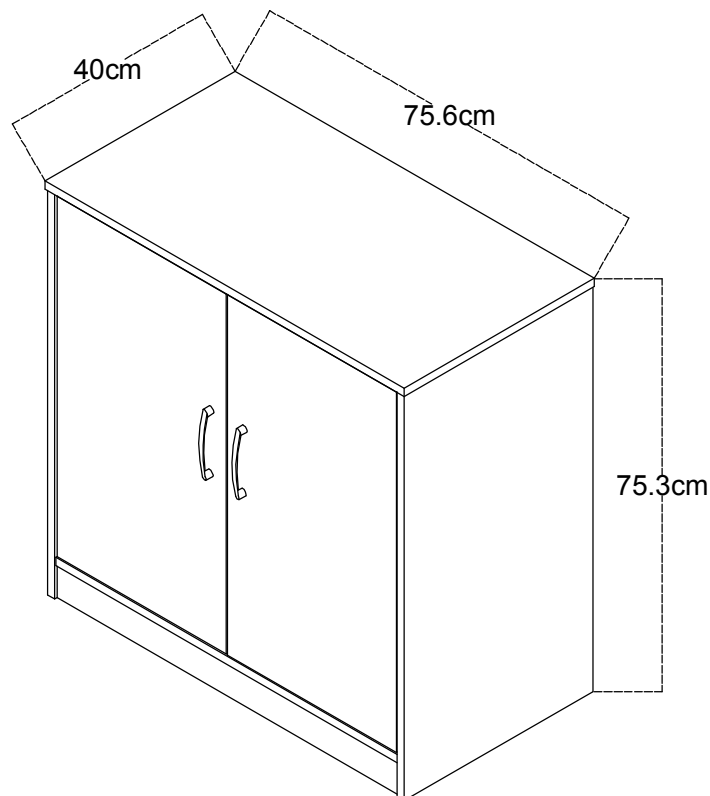
Scratching this product and protect your floor.

This bed is heavy. Always lift this bed with two people.

Assemble the product as close to its intended final position in the room as possible.

Keep any sharp object away from the bed frame.

HANDY HINT: If you keep the hardware in bowl during assembly you will be less likely to lose them



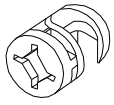
PART LIST

Model : MIDSLEEPER - 2 Door Cabinet

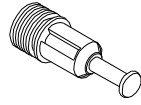
Carton 4 of 5

No.	Part Name	Pcs
G	Side Panel Left	1
H	Side Panel Right	1
J	Front Rail	1
K	Shelf Fixed Panel	1
L	Front Leg	1
M	Bottom Panel	1
N	Top Panel	1
P	Back Panel	2
Q	Door Panel Left	1
R	Door Panel Right	1
	FITTING LIST	

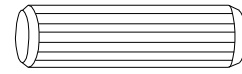
Hardware



1 x 14
Camlock



3 x 14
Camlock Bolt



20 x 20
M8 x 25mm PVC Dowel



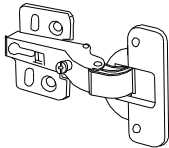
31 x 24
M3.5 x 16mm screw



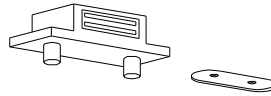
29 x 6
M3 x 19mm screw



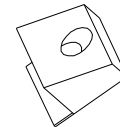
30 x 4
M3 x 12mm screw



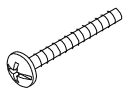
62 x 4
Soft Closing Hinges 7/8"



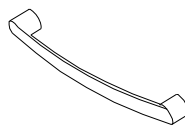
101 x 2
Magnet



53 x 6
Stub 192

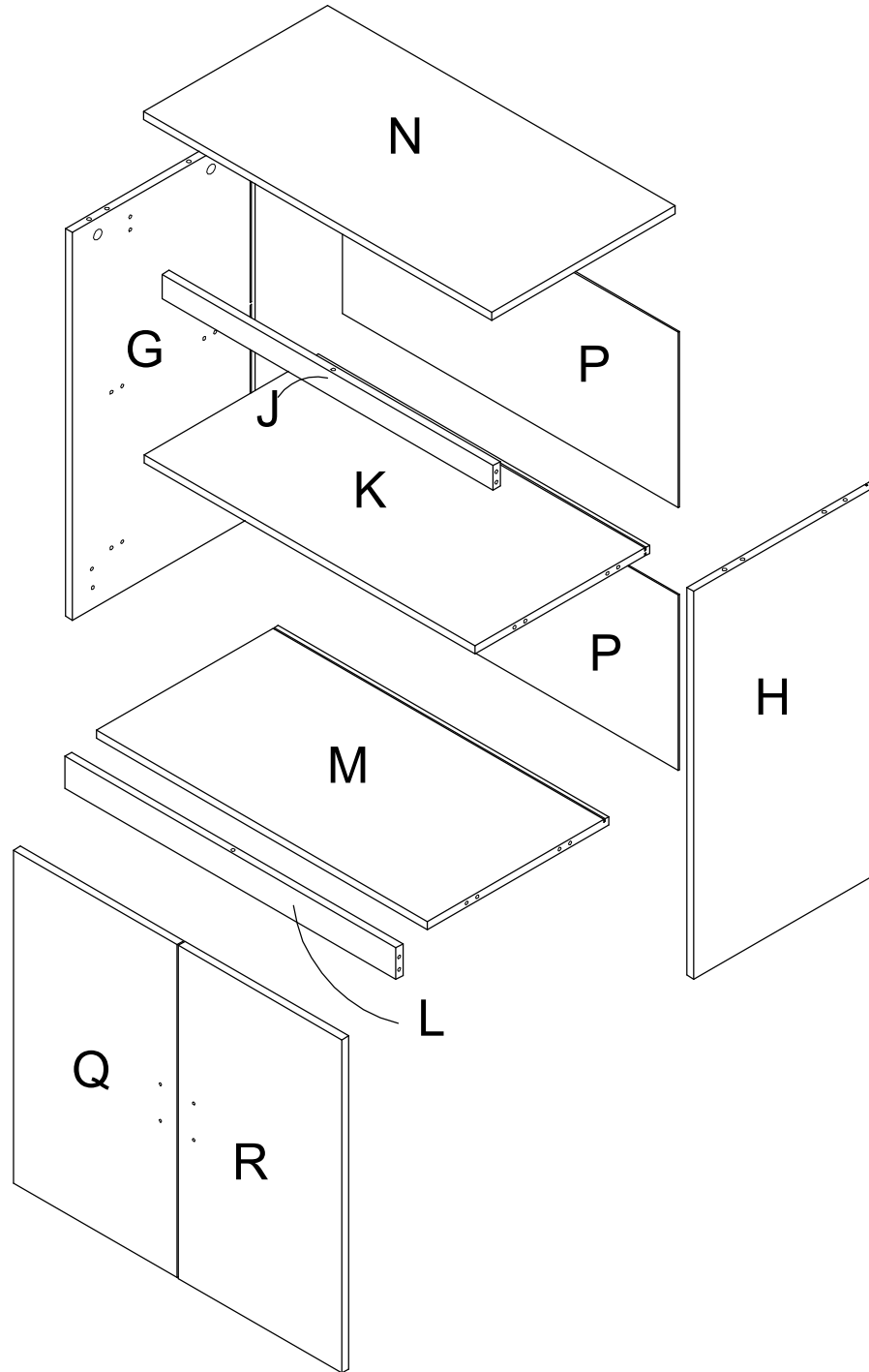


43 x 4
m4 x 19mm Handle Screw





100 x 2
287E-96-MN

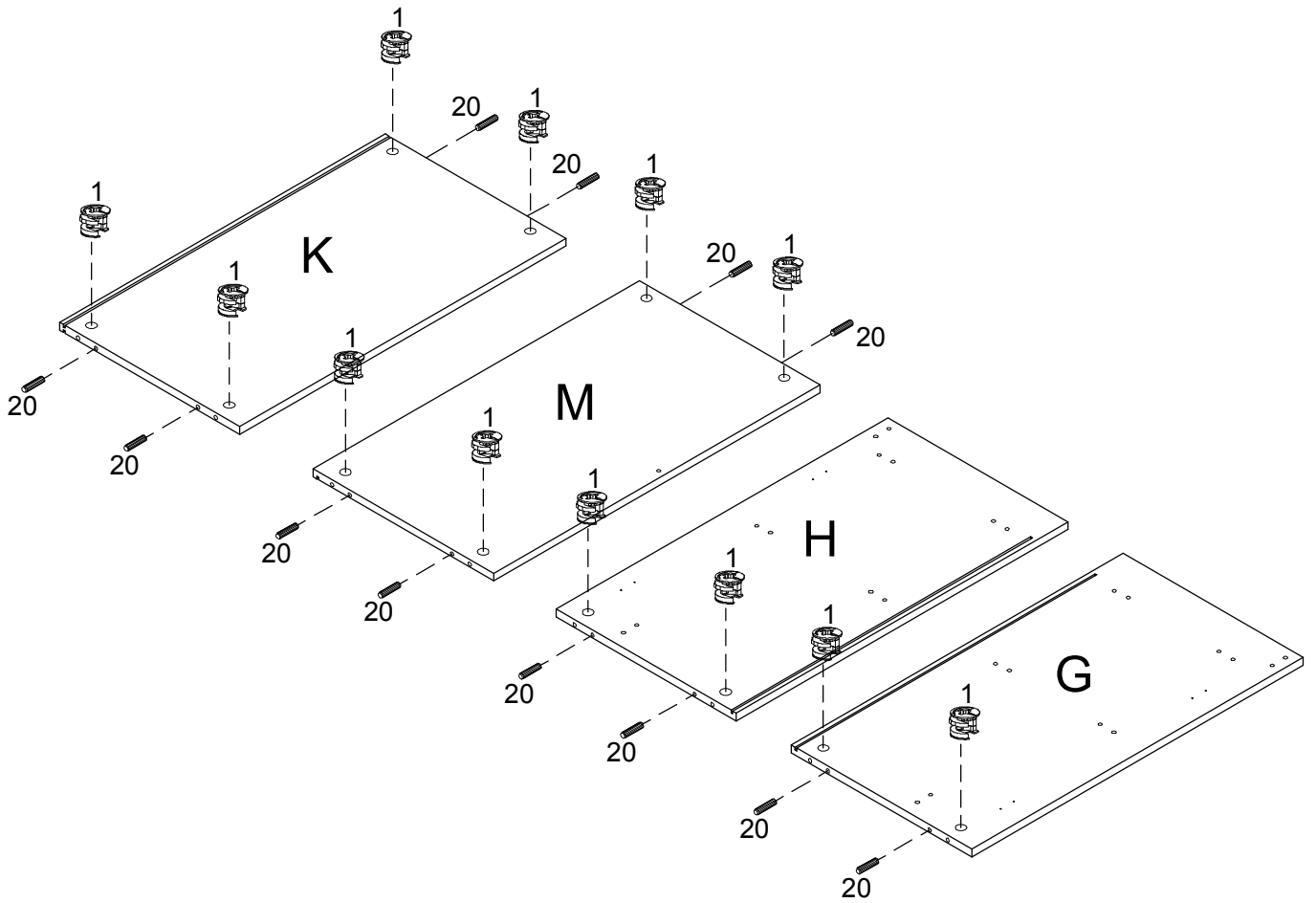
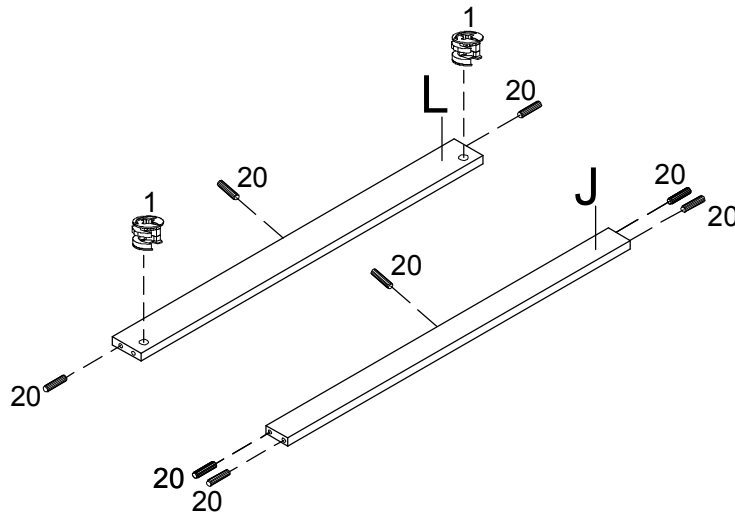
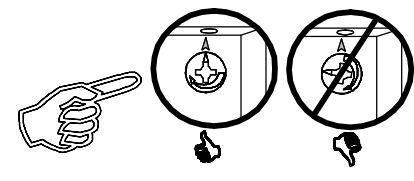
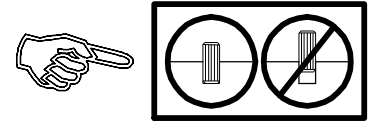
Parts



Step 1

DO NOT use any power tools as this may damage the panel part and will invalidate any claim.

20		x20
1		x14

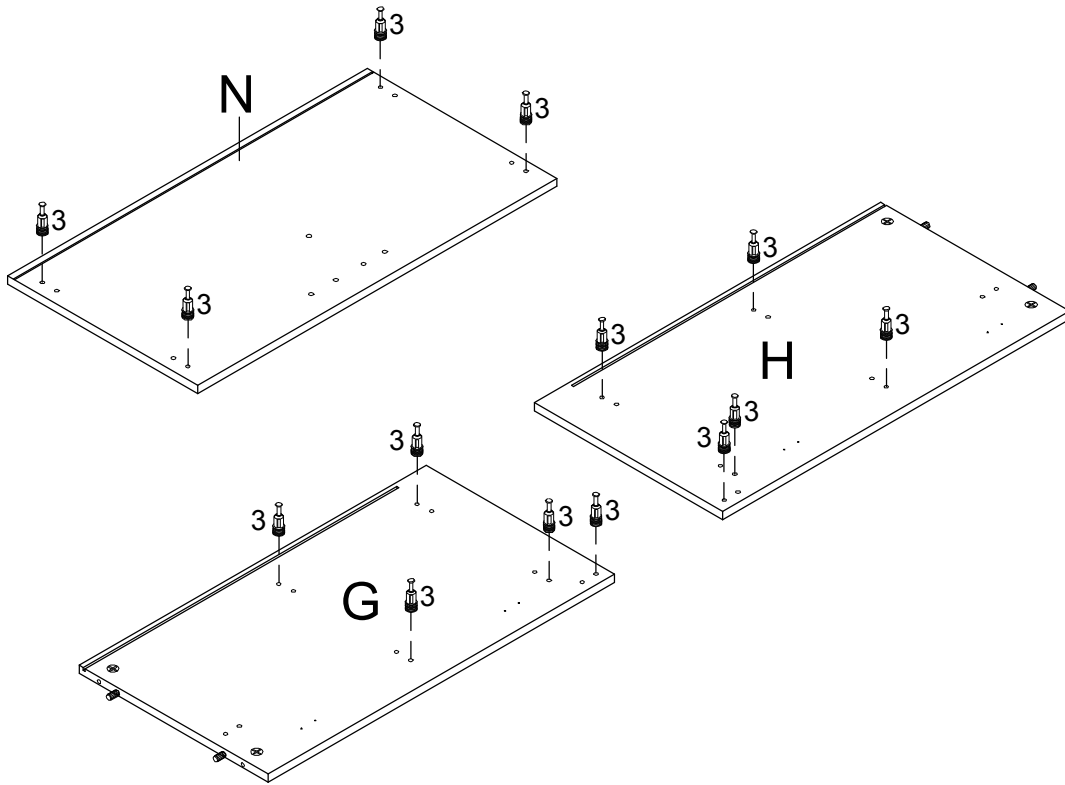


Step 2 DO NOT use any power tools as this may damage the panel part and will invalidate any claim.

3

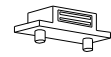


x14

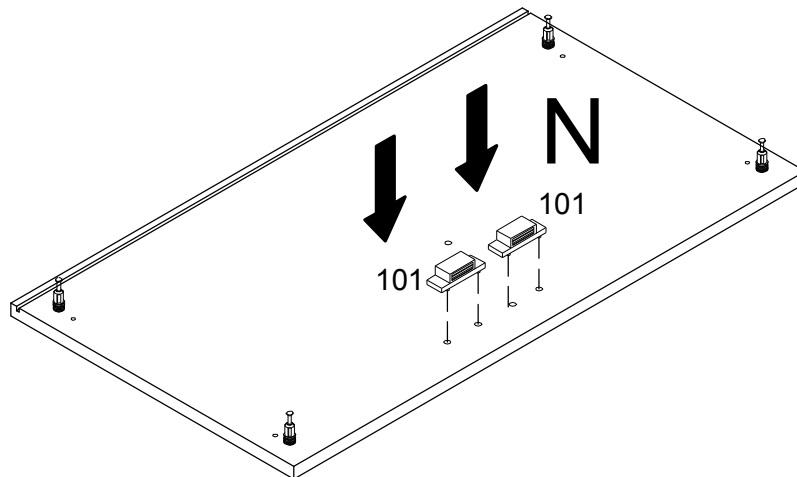


Step 3 DO NOT use any power tools as this may damage the panel part and will invalidate any claim.

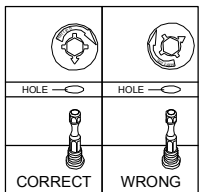
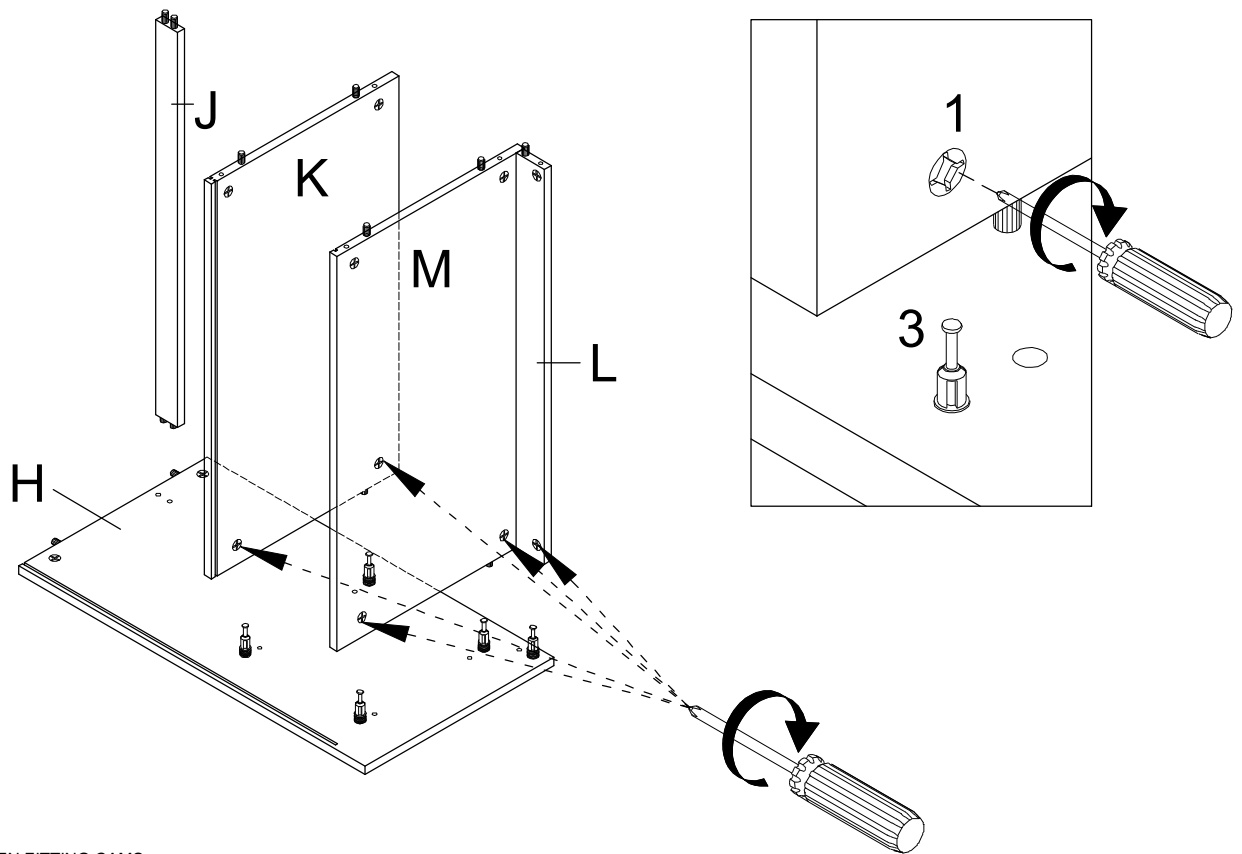
101



x2

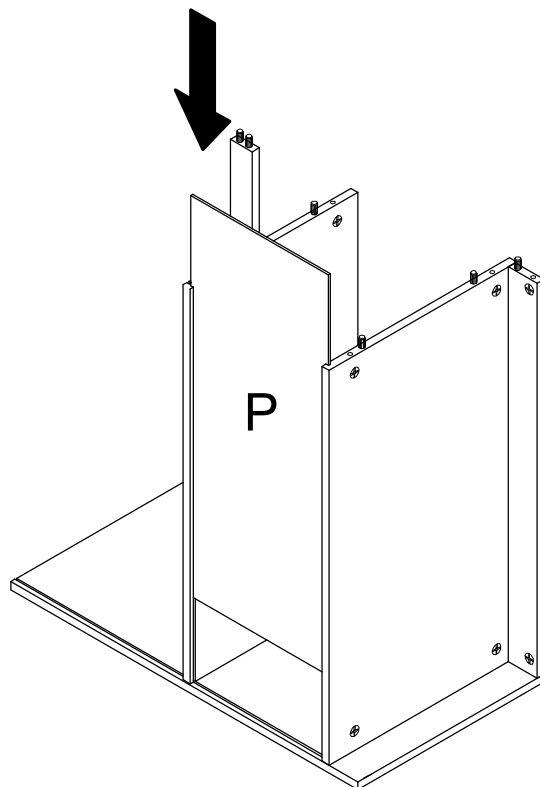


Step 4 DO NOT use any power tools as this may damage the panel part and will invalidate any claim.

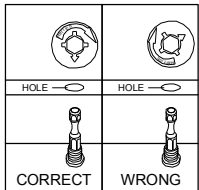
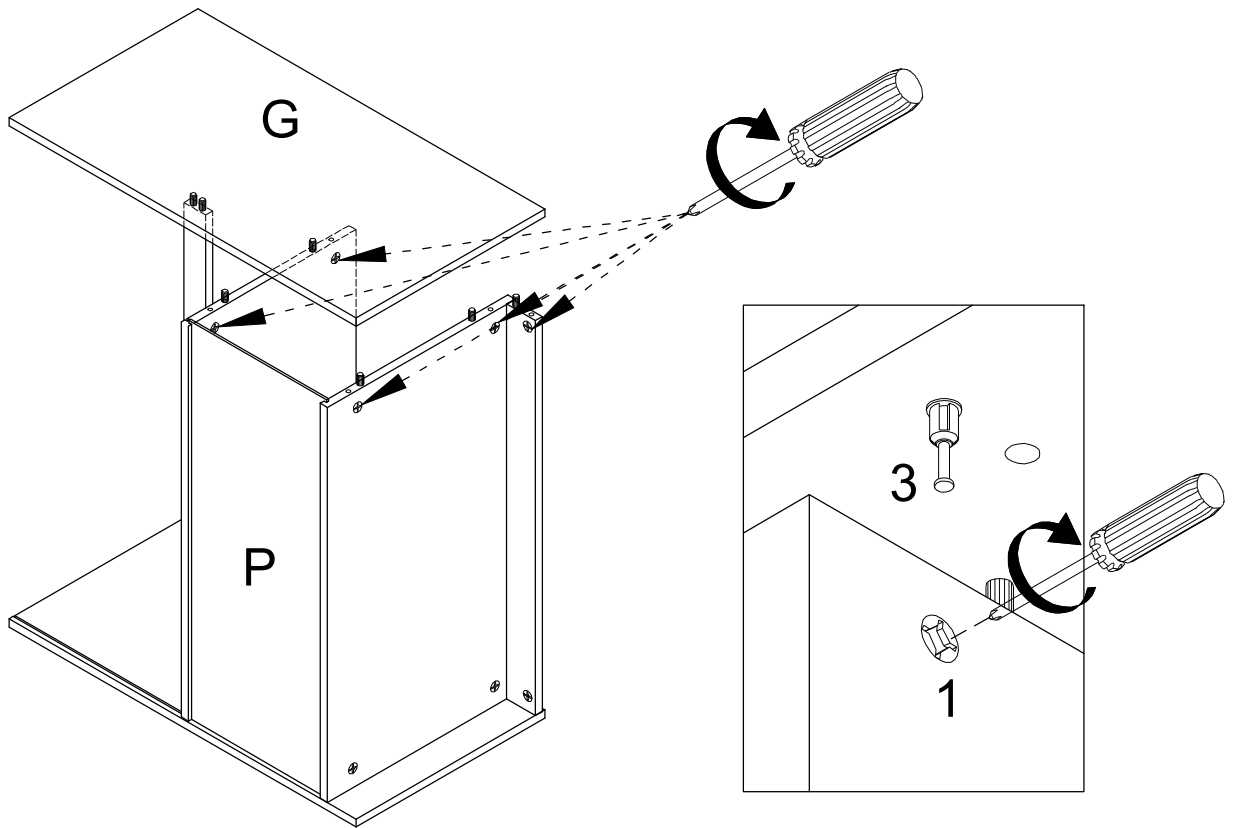


WHEN FITTING CAMS
ENSURE STARTING POSITION IS CORRECT
BEFORE YOU INSERT CAMLOCK OR DRAWER CAMLOCK.
TURN CLOCKWISE UNTIL SECURE

Step 5 DO NOT use any power tools as this may damage the panel part and will invalidate any claim.

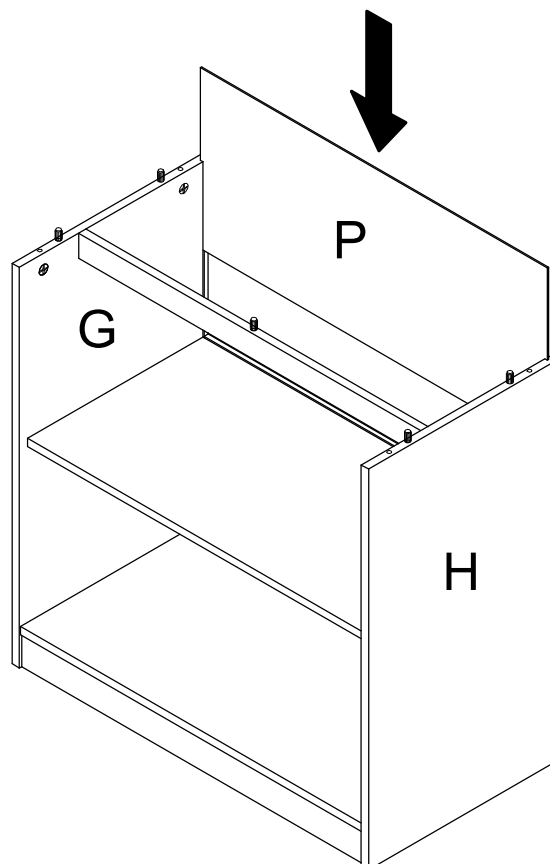


Step 6 DO NOT use any power tools as this may damage the panel part and will invalidate any claim.

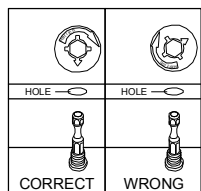
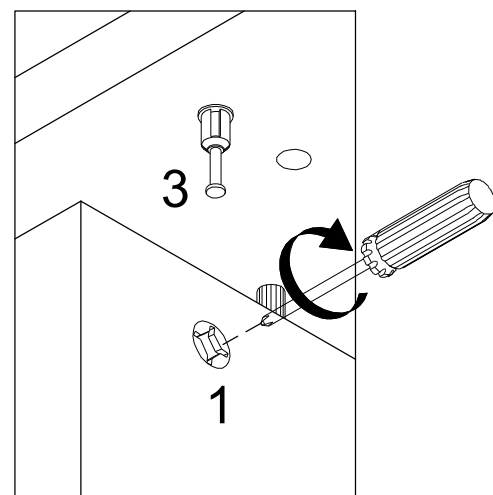
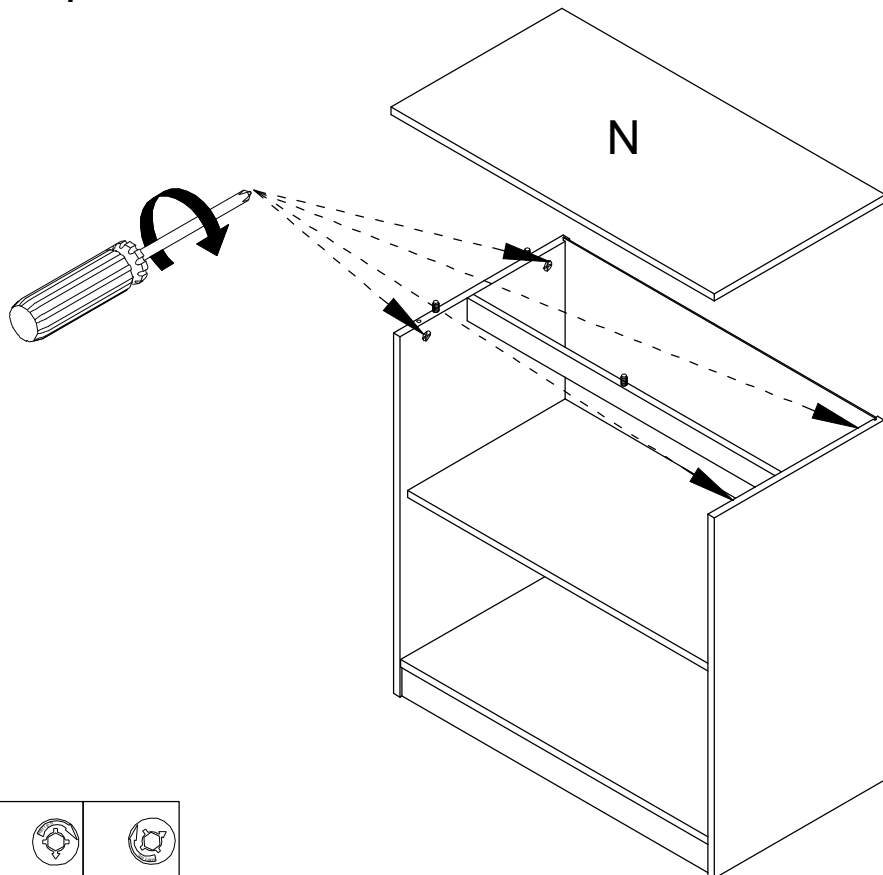


WHEN FITTING CAMS
ENSURE STARTING POSITION IS CORRECT
BEFORE YOU INSERT CAMLOCK OR DRAWER CAMLOCK.
TURN CLOCKWISE UNTIL SECURE

Step 7 DO NOT use any power tools as this may damage the panel part and will invalidate any claim.





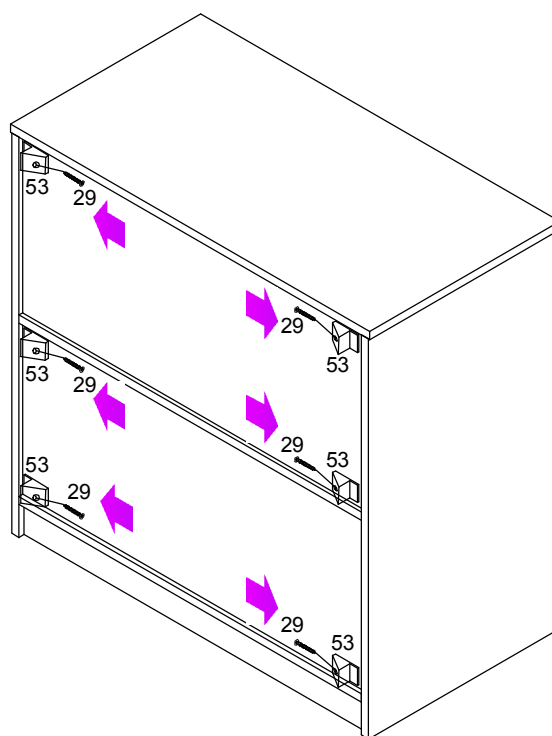
Step 8 DO NOT use any power tools as this may damage the panel part and will invalidate any claim.




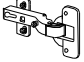

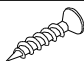
WHEN FITTING CAMS
ENSURE STARTING POSITION IS CORRECT
BEFORE YOU INSERT CAMLOCK OR DRAWER CAMLOCK.
TURN CLOCKWISE UNTIL SECURE

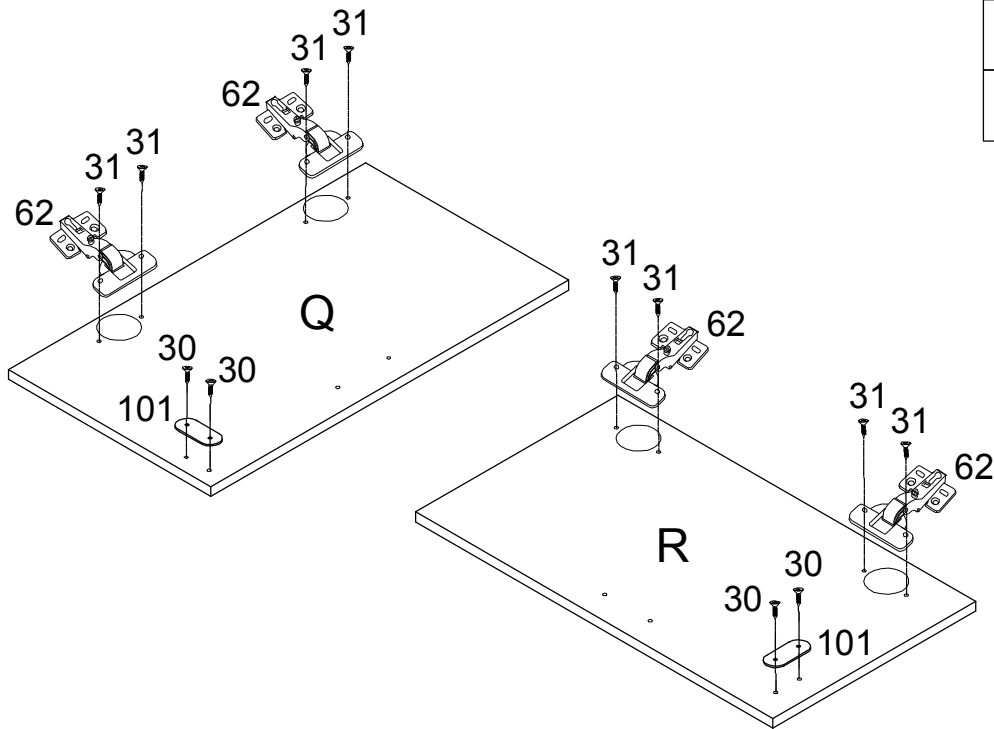
Step 9 DO NOT use any power tools as this may damage the panel part and will invalidate any claim.

29		x6
53		x6



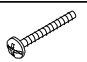


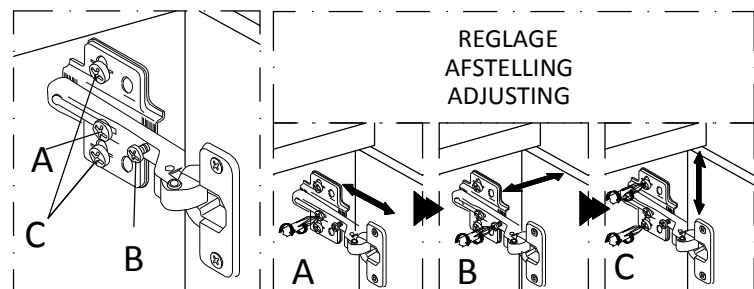
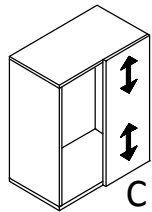
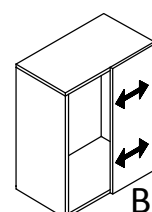
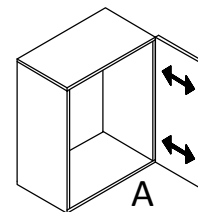
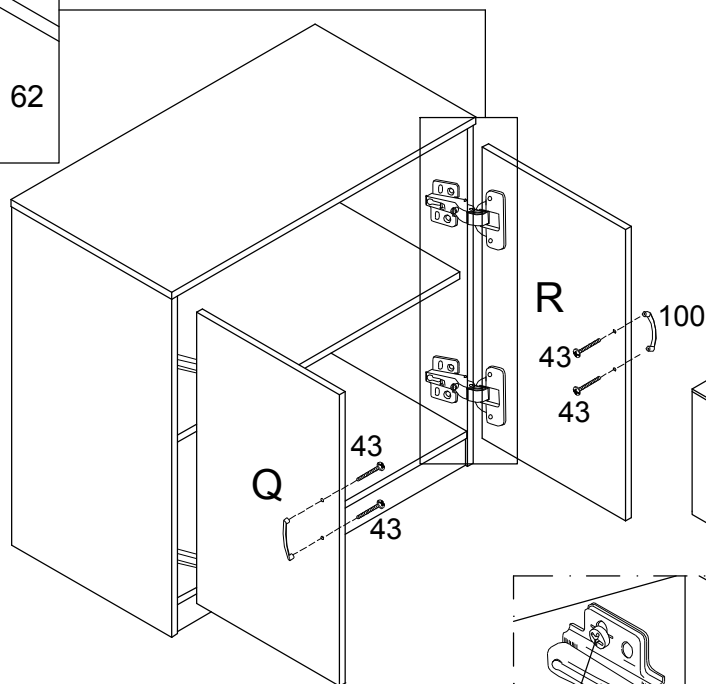
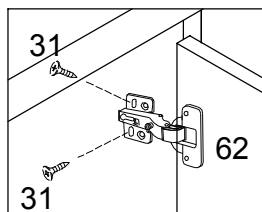
Step 10 DO NOT use any power tools as this may damage the panel part and will invalidate any claim.

31		x8
62		x4
101		x2
30		x4



Step 11 DO NOT use any power tools as this may damage the panel part and will invalidate any claim.

31		x8
100		x2
43		x4

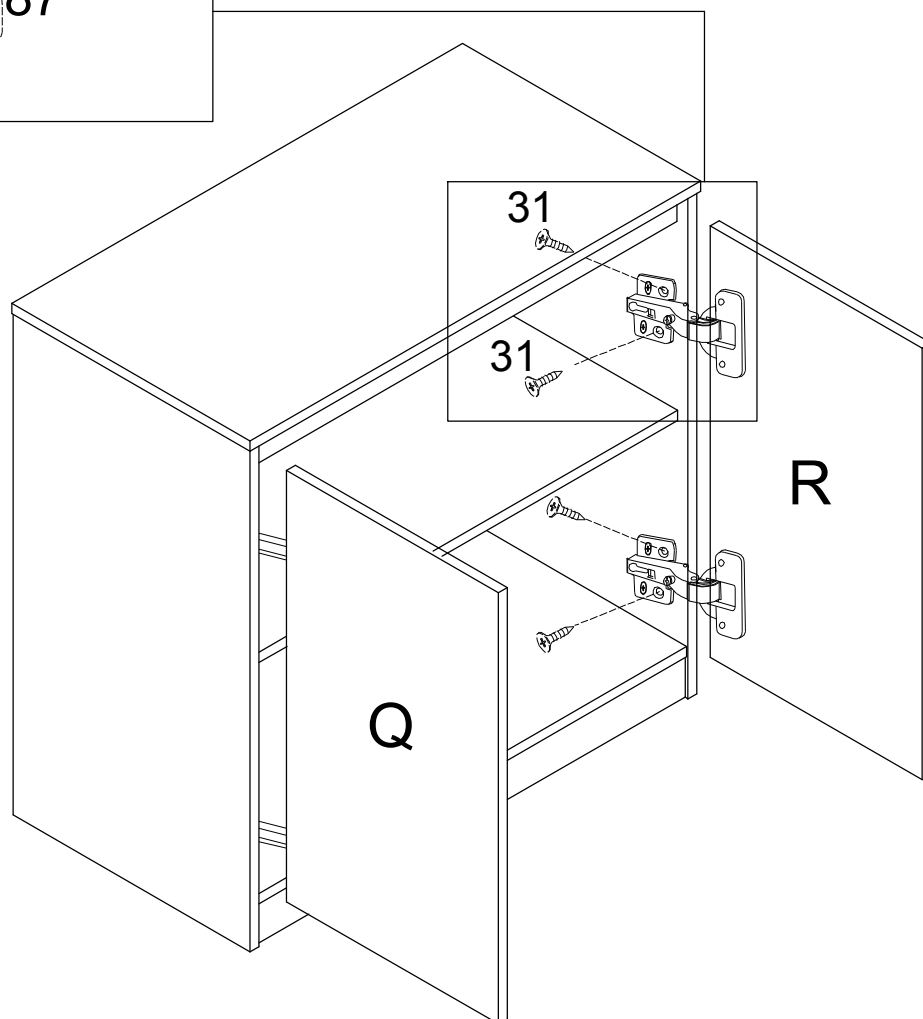
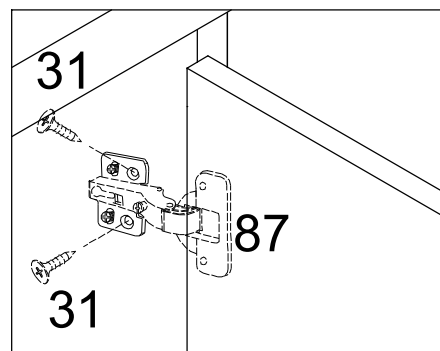


Step 12 DO NOT use any power tools as this may damage the panel part and will invalidate any claim.

31

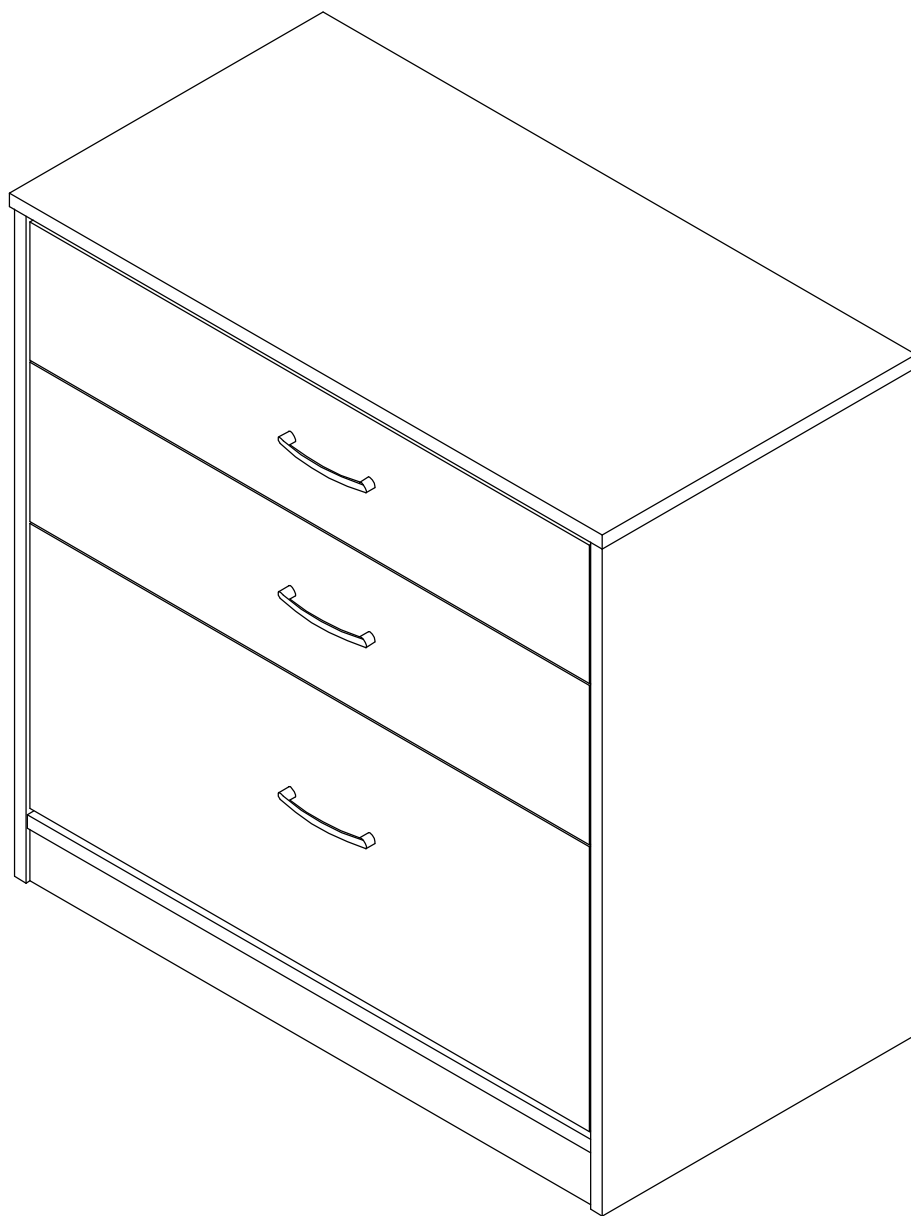


x8



MIDSLEEPER - 3 Drawers Chest

ASSEMBLY INSTRUCTION



SAFETY ADVICE

Please take the time to carefully read through the whole of these instruction before you commence.

Keep these instruction for future reference.

Unpack,inspect and check of all of the contents.

Please dispose of all packing safely.

Small components parts could choke a child is swallowed.

We strongly recommend that you keep children well away from the work area.

It would be sensible to lay a sheet or blanket on the floor where you intend to work to avoid

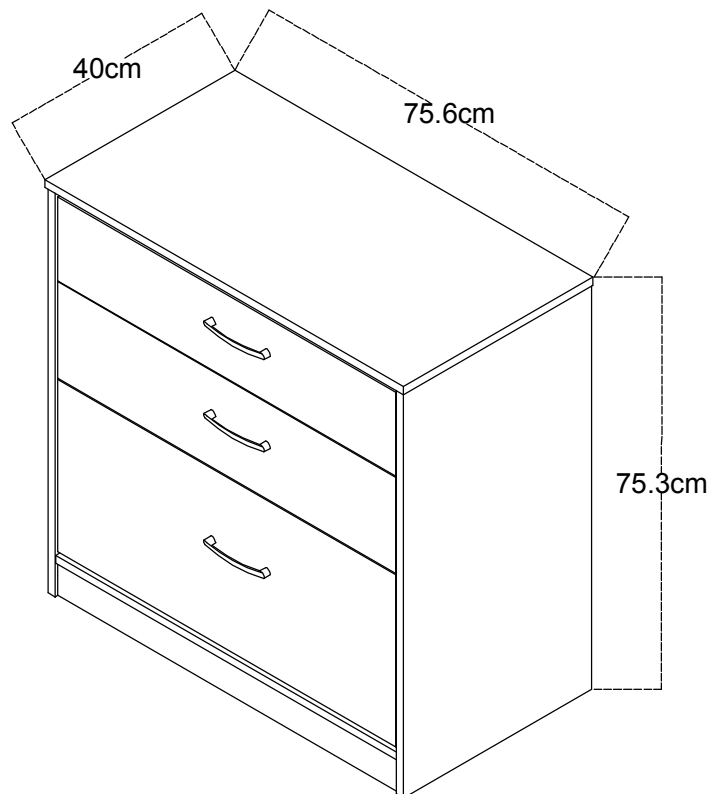
Scratching this product and protect your floor.

This bed is heavy. Always lift this bed with two people.

Assemble the product as close to its intended final position in the room as possible.

Keep any sharp object away from the bed frame.

HANDY HINT: If you keep the hardware in bowl during assembly you will be less likely to lose them



PART LIST

Model : MIDSLEEPER - 3 Drawers Chest

Carton 3 of 5

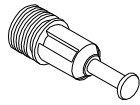
No.	Part Name	Pcs
A	Drawer Back Big	1
B	Drawer Side Left Big	1
C	Drawer Side Right Big	1
D	Drawer Bottom Support	3
E	Drawer Bottom	3
F	Drawer Handle Big	1
G	Side Panel Left	1
H	Side Panel Right	1
J	Back Rail	1
K	Front Leg	1
L	Bottom Front Rail	1
N	Top Panel	1
P	Back Panel Upper	1
M	Bottom Back Rail	1
Q	Drawer Side Small Left	2
R	Drawer Side Small Right	2
S	Drawer Back Small	2
T	Drawer Handle Small	2
U	Back Panel Lower	1

FITTING LIST

Hardware



1 x 12
Camlock



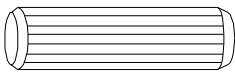
3 x 12
Camlock Bolt



4 x 11
Drawer Camlock



5 x 11
Drawer Camlock Bolt



20 x 19
M8 x 25mm PVC Dowel



23 x 36
M6 x 30mm PVC Dowel



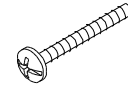
36 x 11
M4 x 38mm Screw



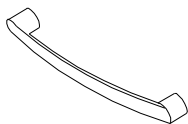
29 x 6
M3 x 19mm screw



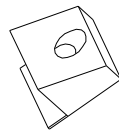
31 x 5
m3.5 x 16mm Screw



43 x 6
m4 x 19mm Handle Screw

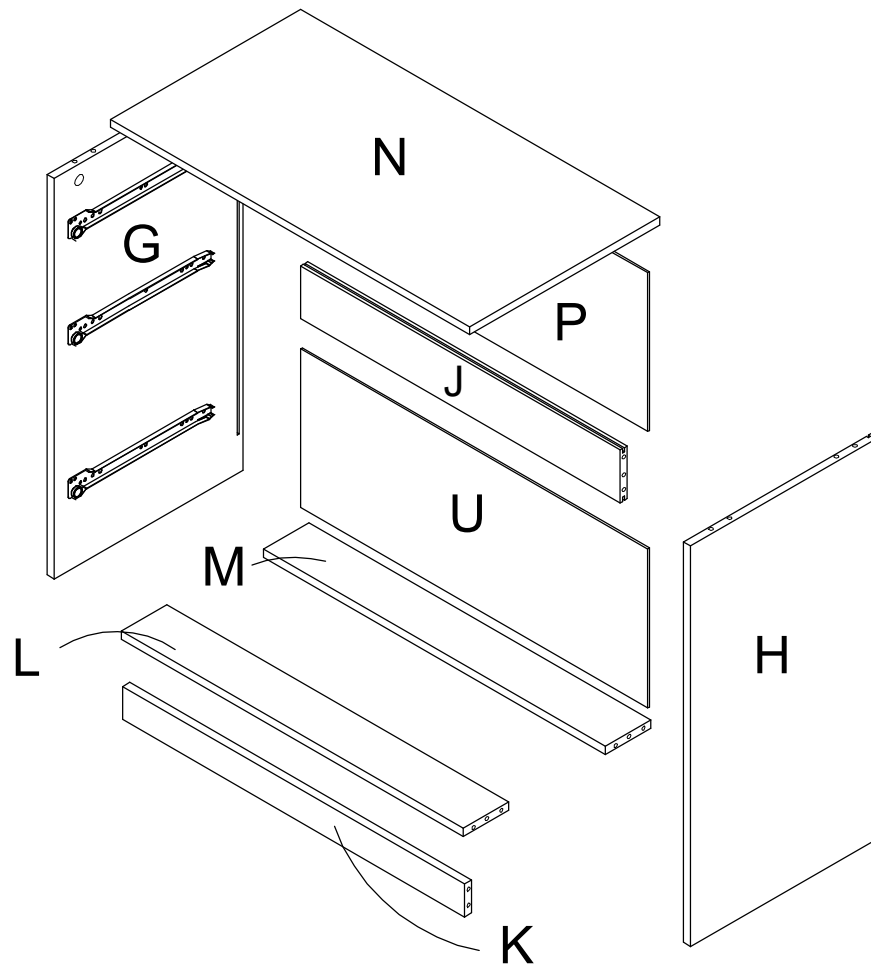


100 x 3
287E-96-MN

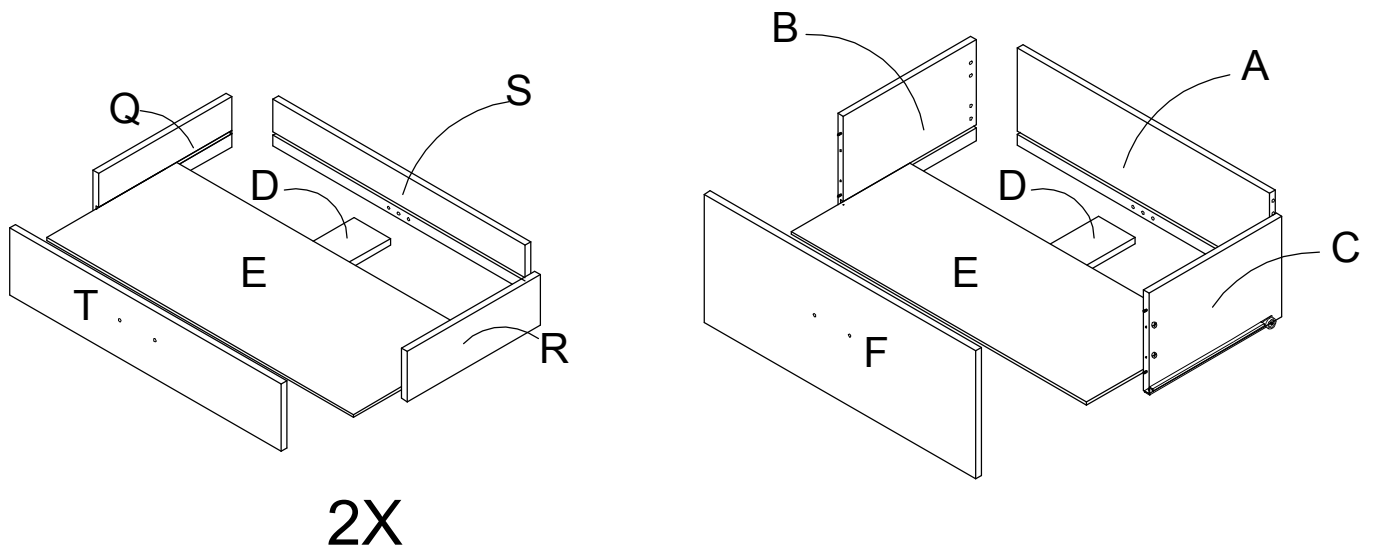


53 x 6
Stub 192

Parts





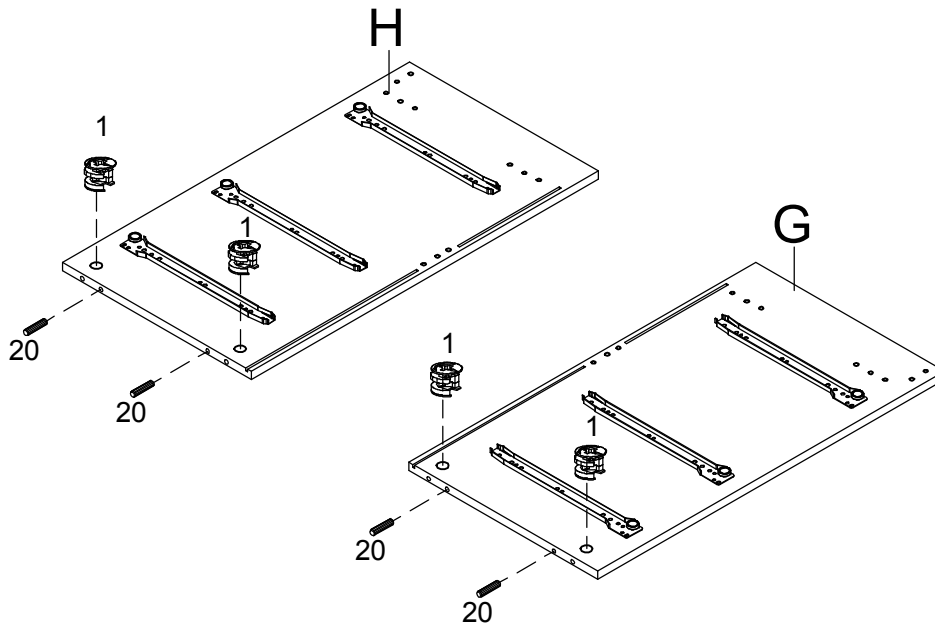
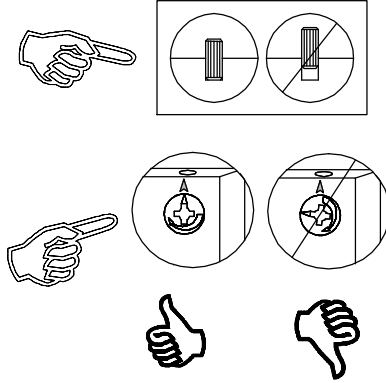
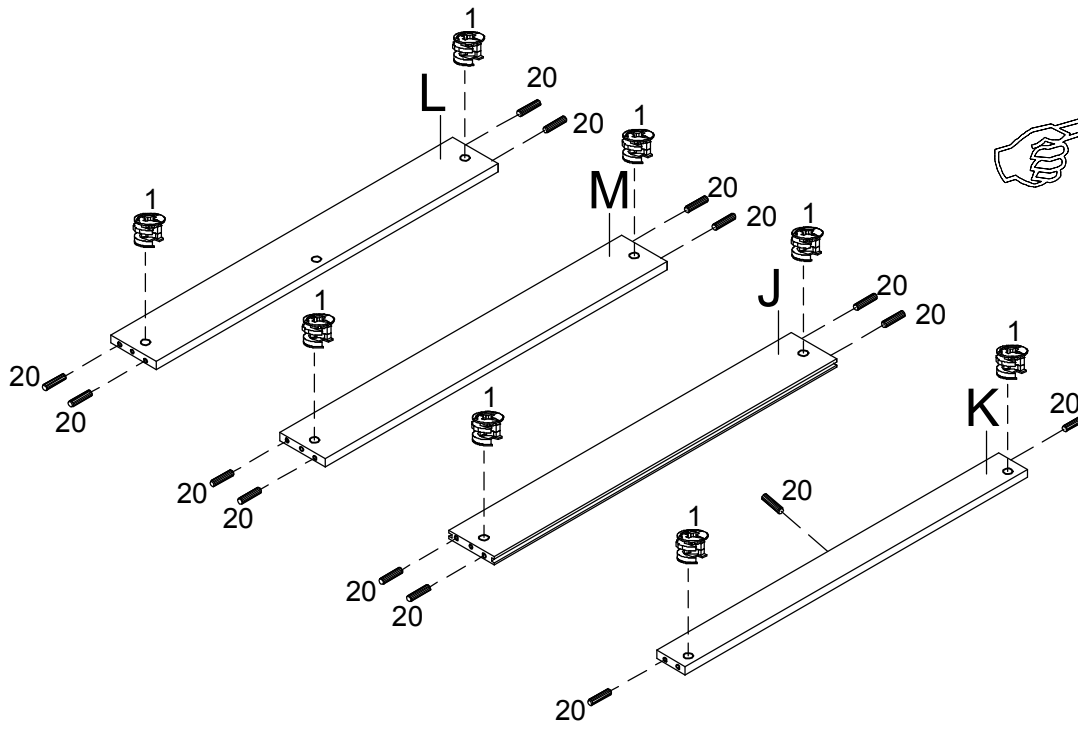
Parts (Drawer)



Step 1

DO NOT use any power tools as this may damage the panel part and will invalidate any claim.

20		x19
1		x12



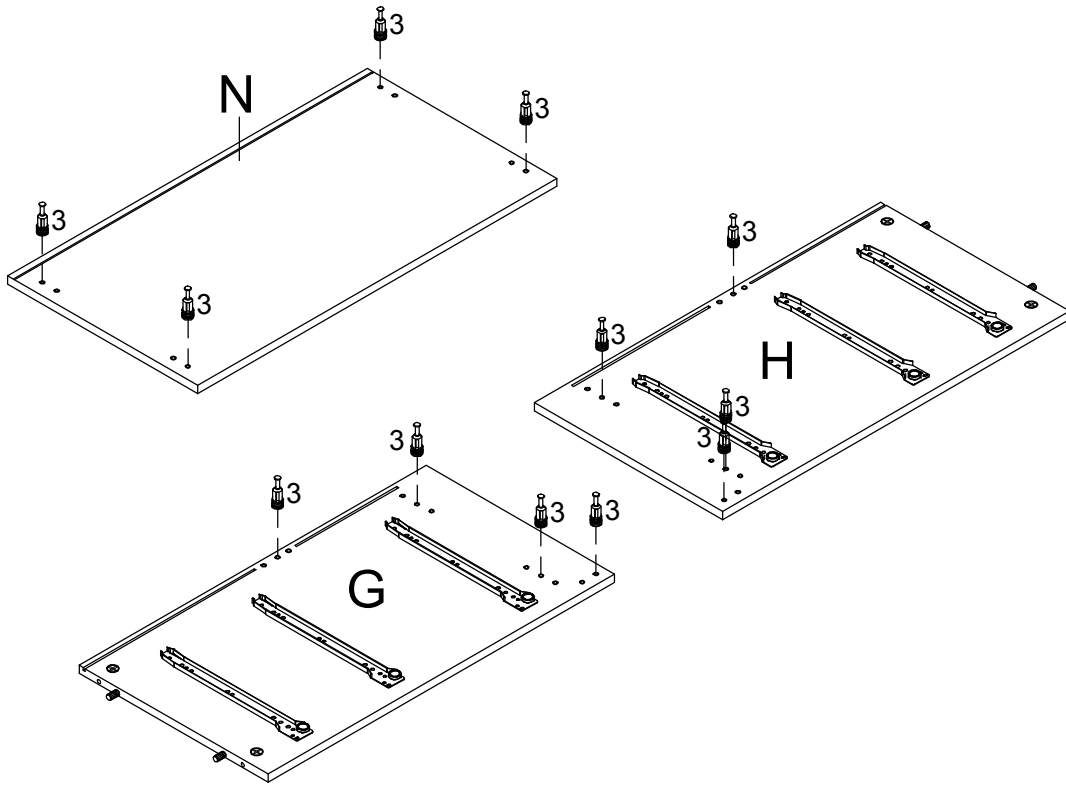
Step 2

DO NOT use any power tools as this may damage the panel part and will invalidate any claim.

3

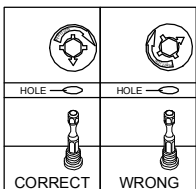
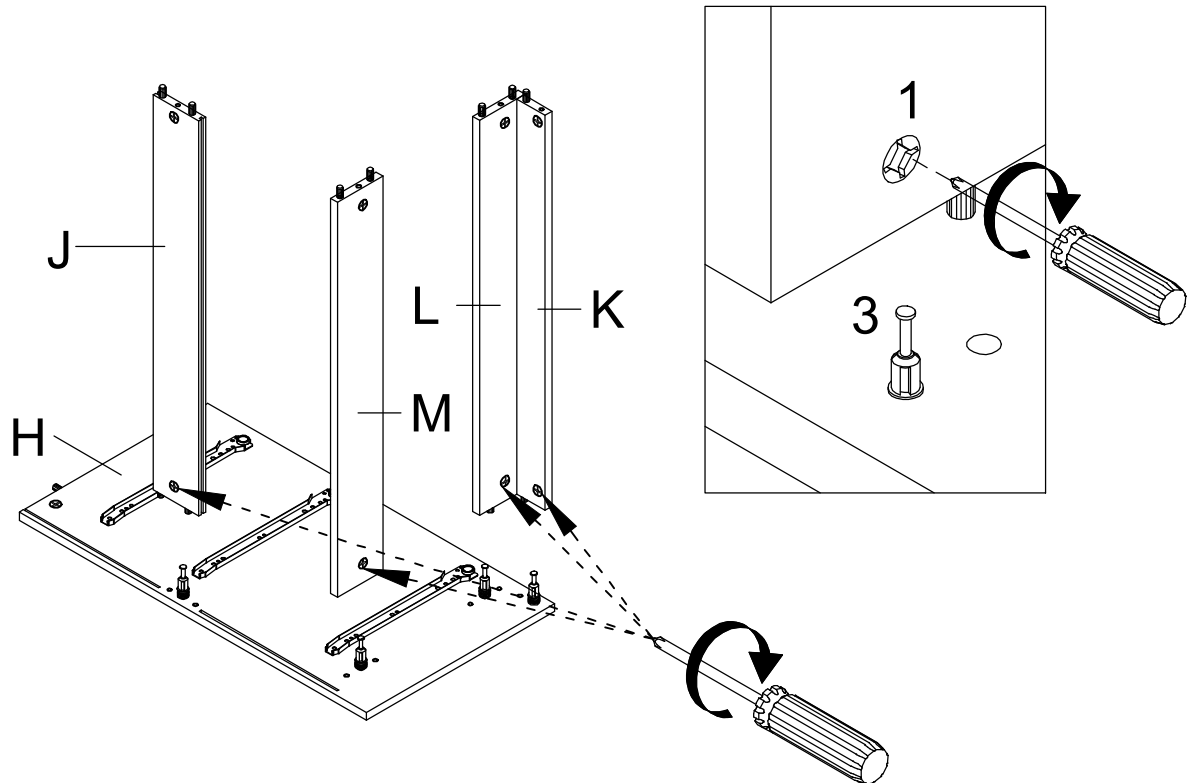


x12



Step 3

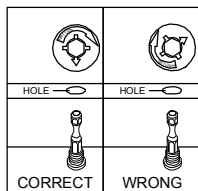
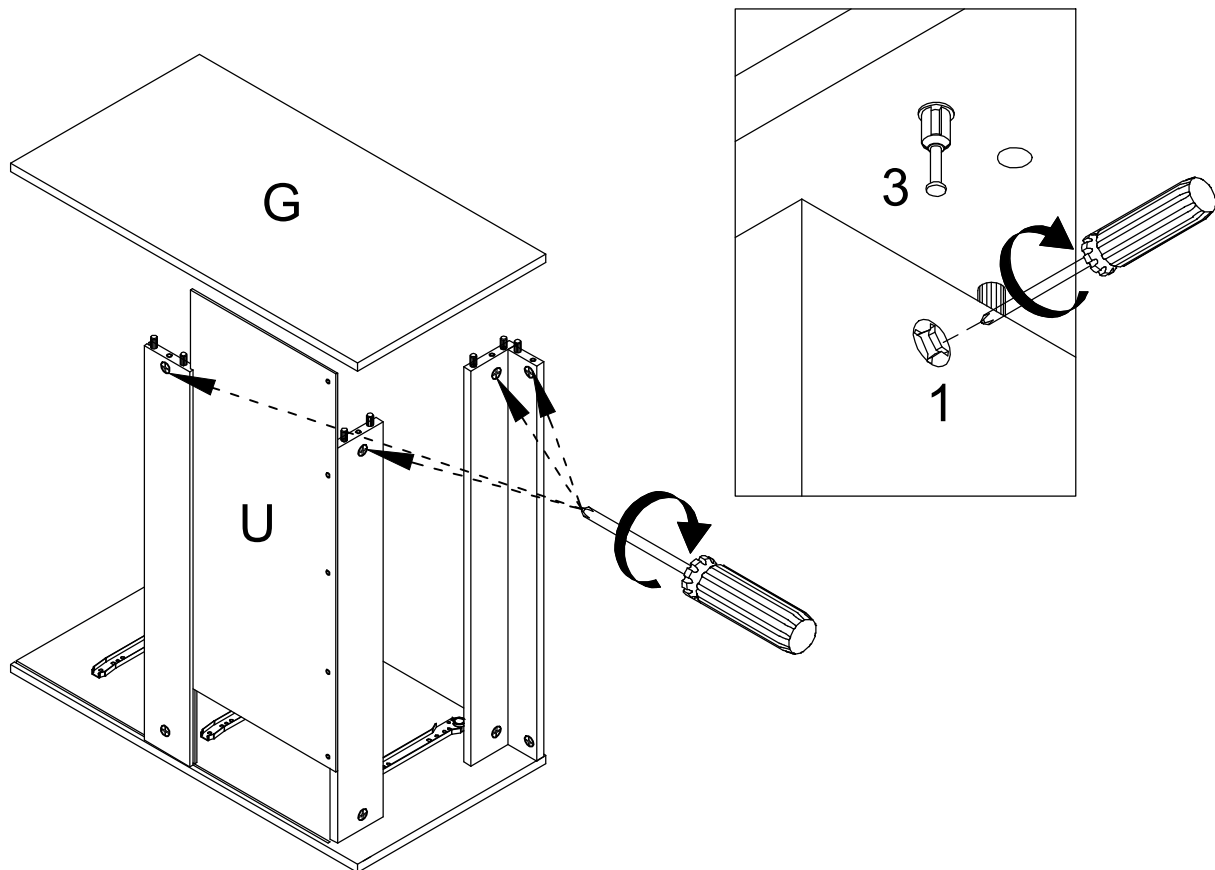
DO NOT use any power tools as this may damage the panel part and will invalidate any claim.



WHEN FITTING CAMS
ENSURE STARTING POSITION IS CORRECT
BEFORE YOU INSERT CAMLOCK OR DRAWER CAMLOCK.
TURN CLOCKWISE UNTIL SECURE

Step 4

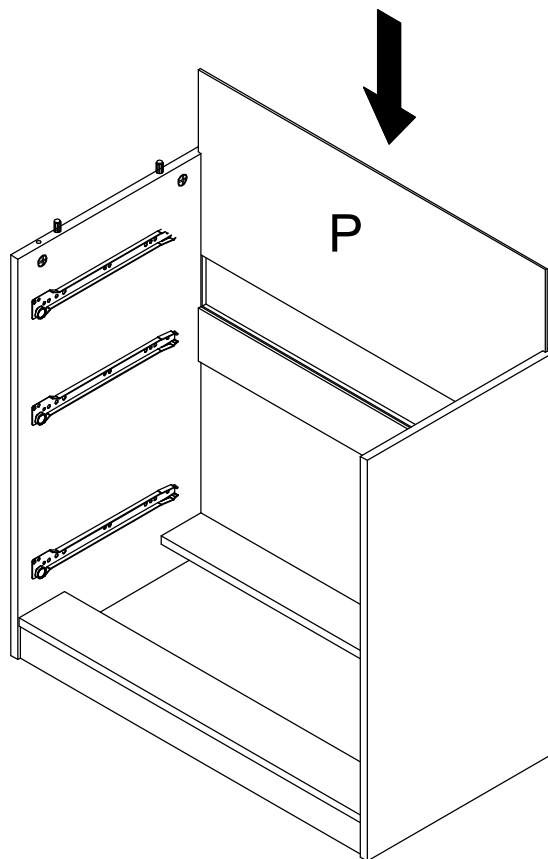
DO NOT use any power tools as this may damage the panel part and will invalidate any claim.



WHEN FITTING CAMS
ENSURE STARTING POSITION IS CORRECT
BEFORE YOU INSERT CAMLOCK OR DRAWER CAMLOCK.
TURN CLOCKWISE UNTIL SECURE

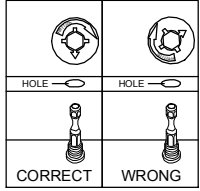
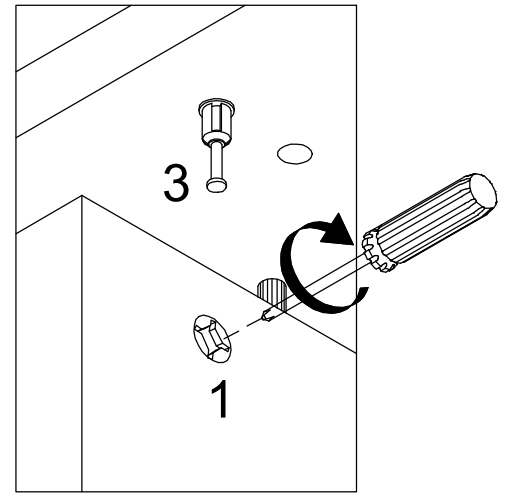
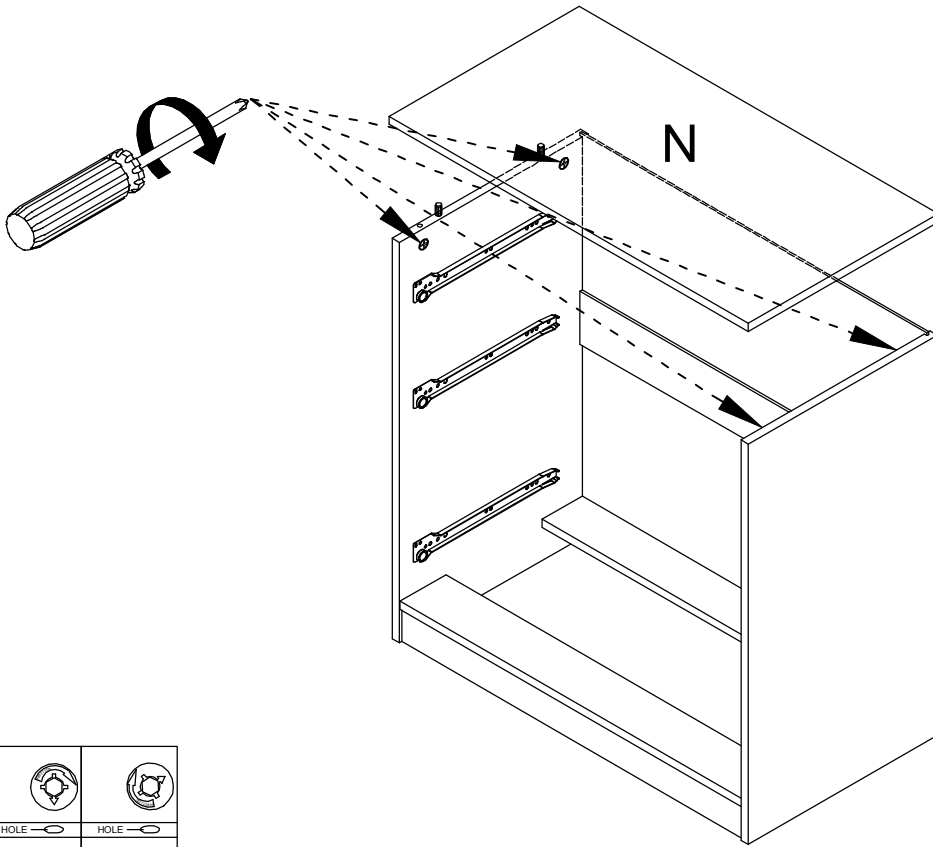
Step 5

DO NOT use any power tools as this may damage the panel part and will invalidate any claim.



Step 6

DO NOT use any power tools as this may damage the panel part and will invalidate any claim.

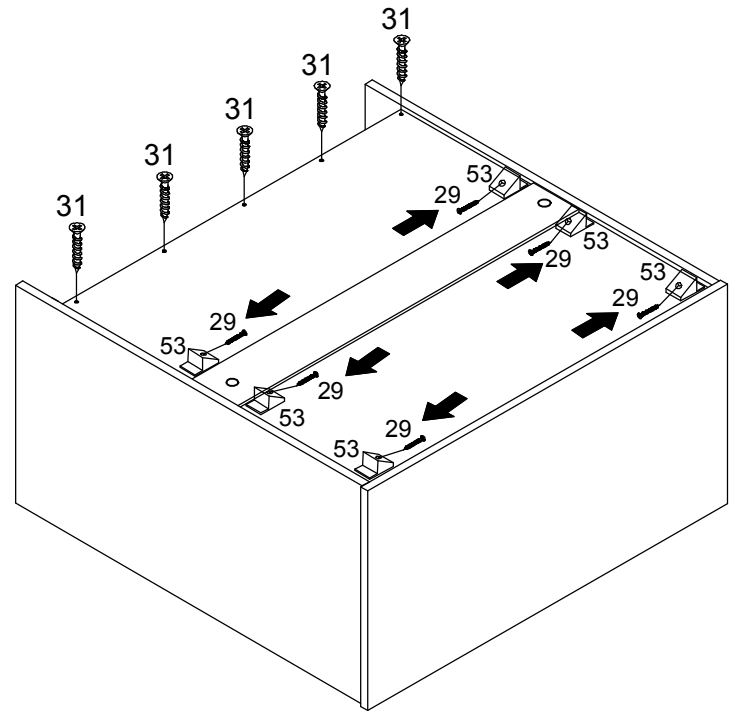


WHEN FITTING CAMS
ENSURE STARTING POSITION IS CORRECT
BEFORE YOU INSERT CAMLOCK OR DRAWER CAMLOCK.
TURN CLOCKWISE UNTIL SECURE

Step 7



DO NOT use any power tools as this may damage the panel part and will invalidate any claim.

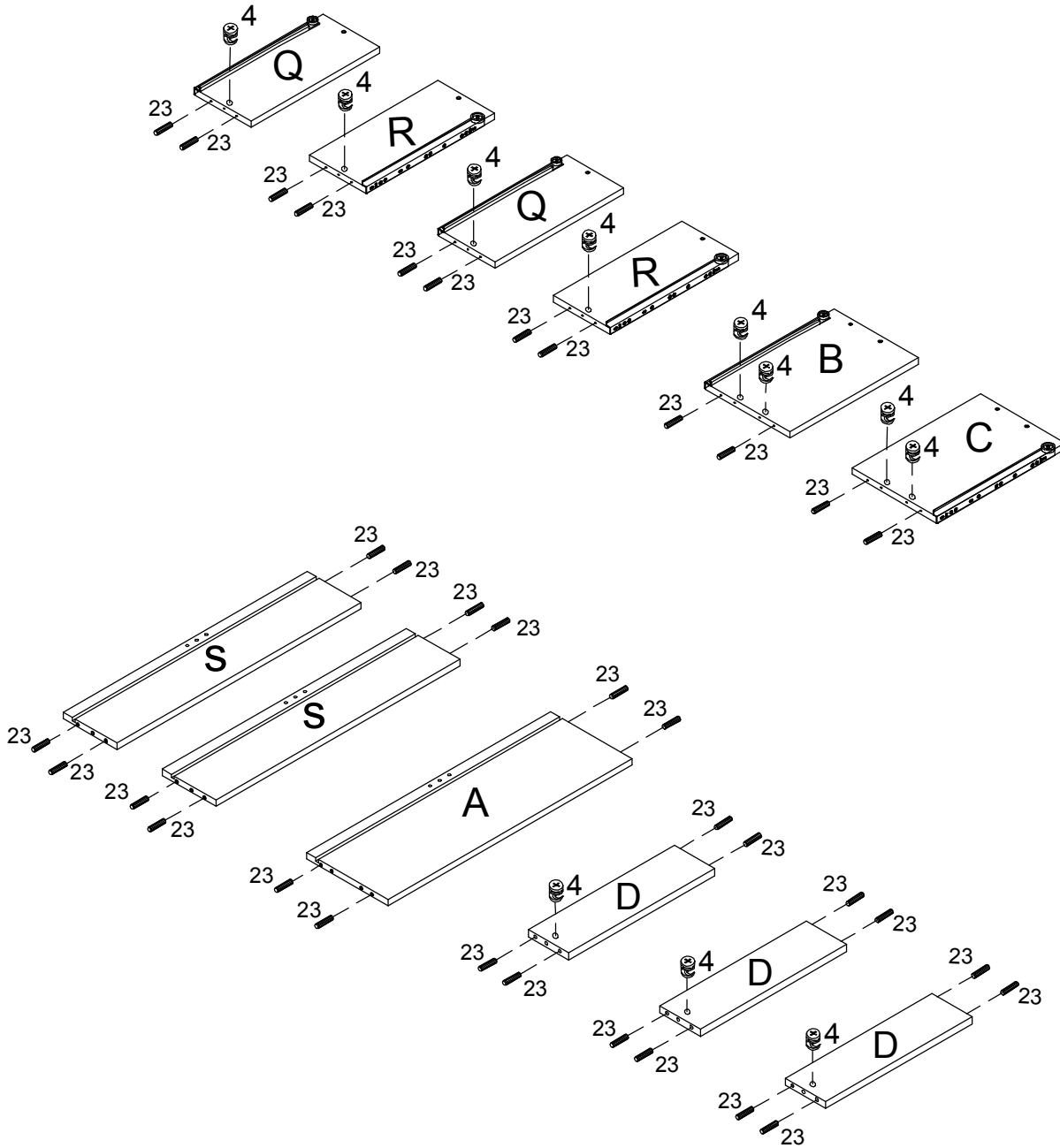
29		x6
53		x6
31		x5



Step 8

DO NOT use any power tools as this may damage the panel part and will invalidate any claim.

23		x36
4		x11



Step 8

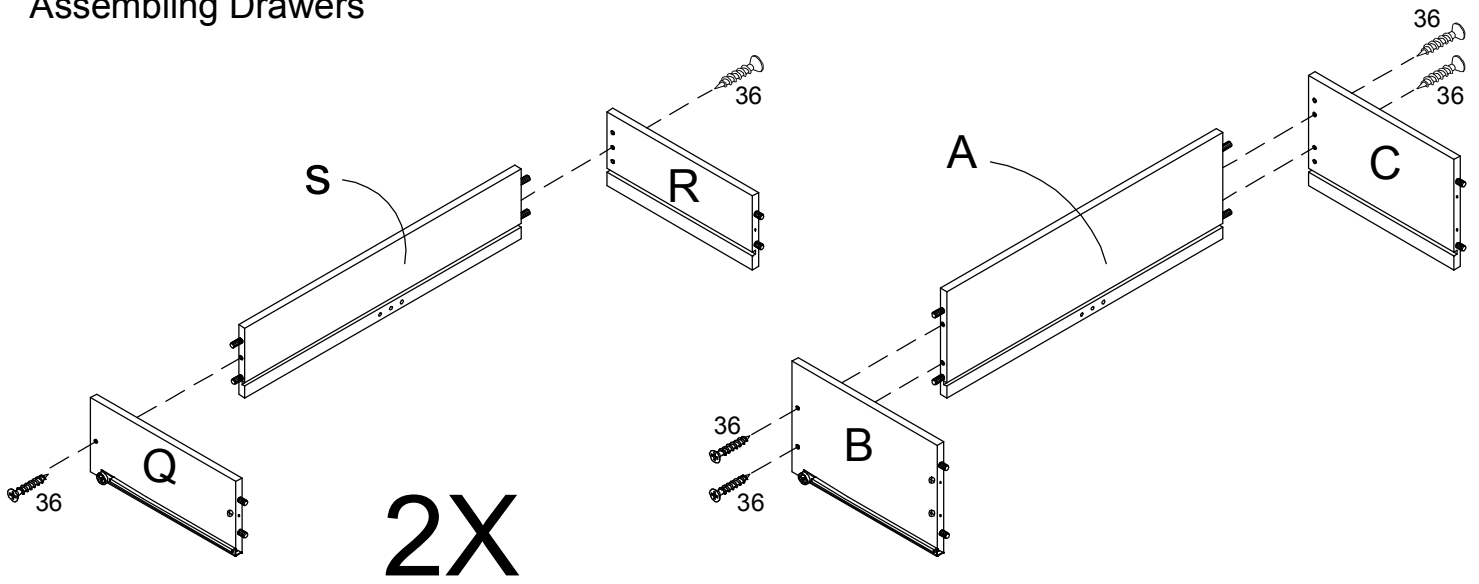
DO NOT use any power tools as this may damage the panel part and will invalidate any claim.

36



x8

Assembling Drawers



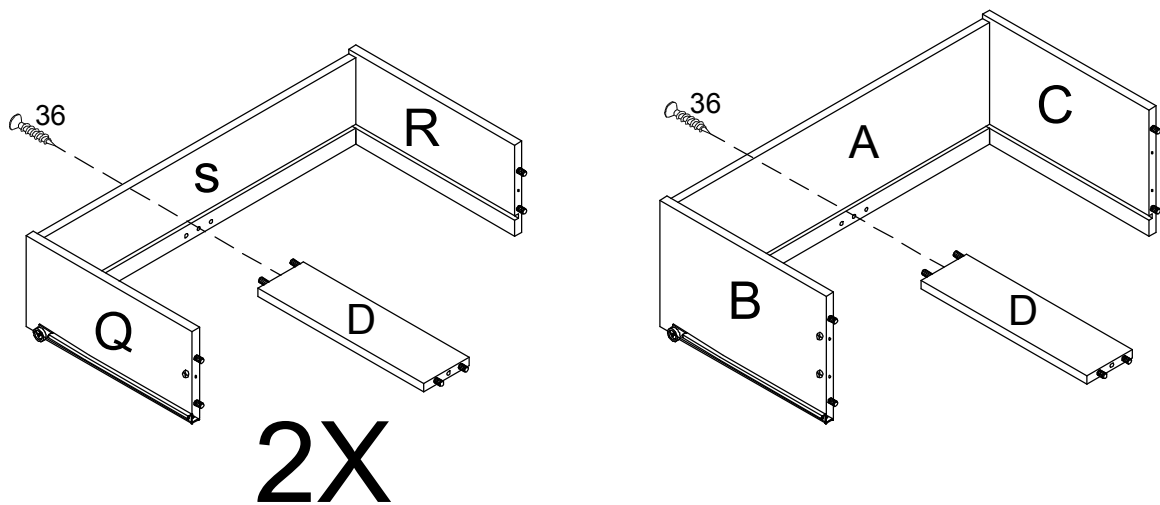
Step 9

DO NOT use any power tools as this may damage the panel part and will invalidate any claim.

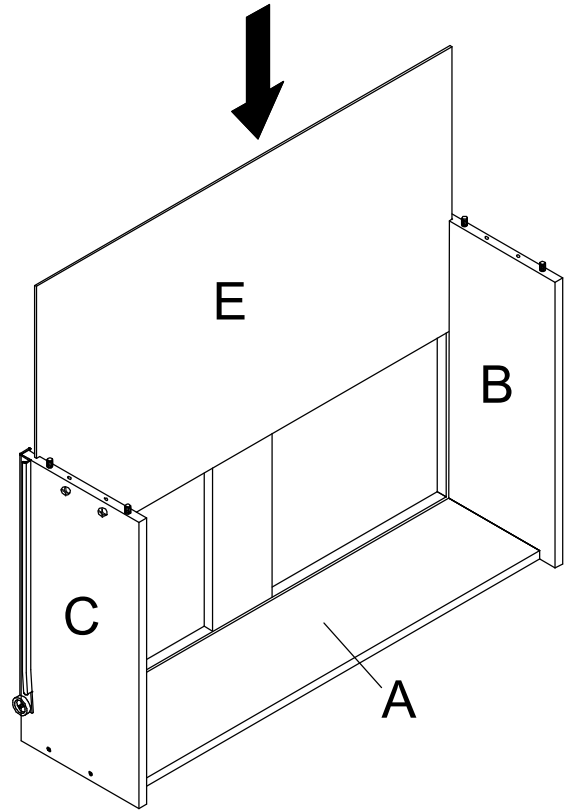
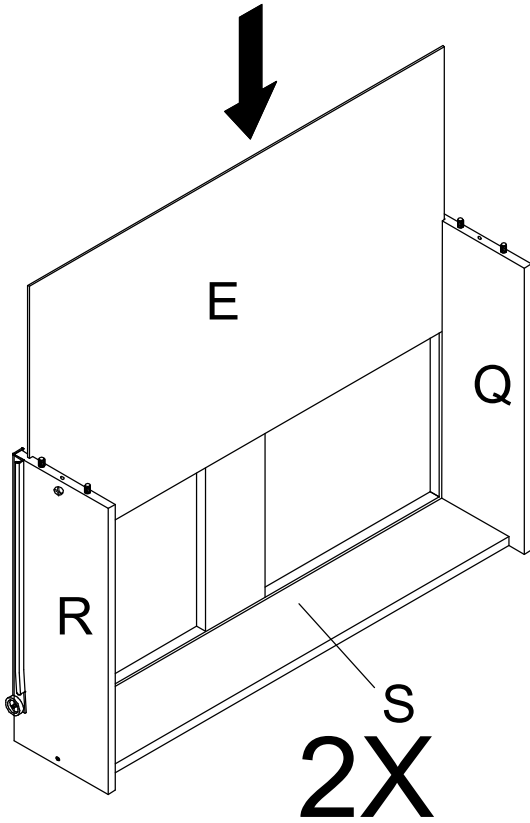
36



x3



Step 10 DO NOT use any power tools as this may damage the panel part and will invalidate any claim.

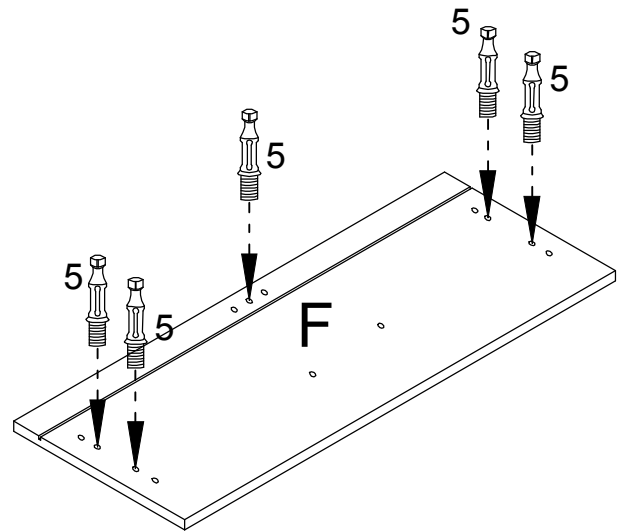
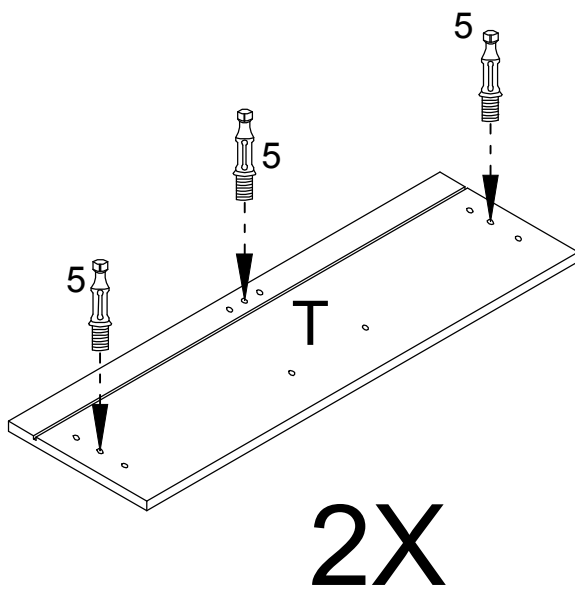


Step 11 DO NOT use any power tools as this may damage the panel part and will invalidate any claim.



5

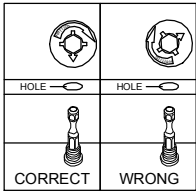
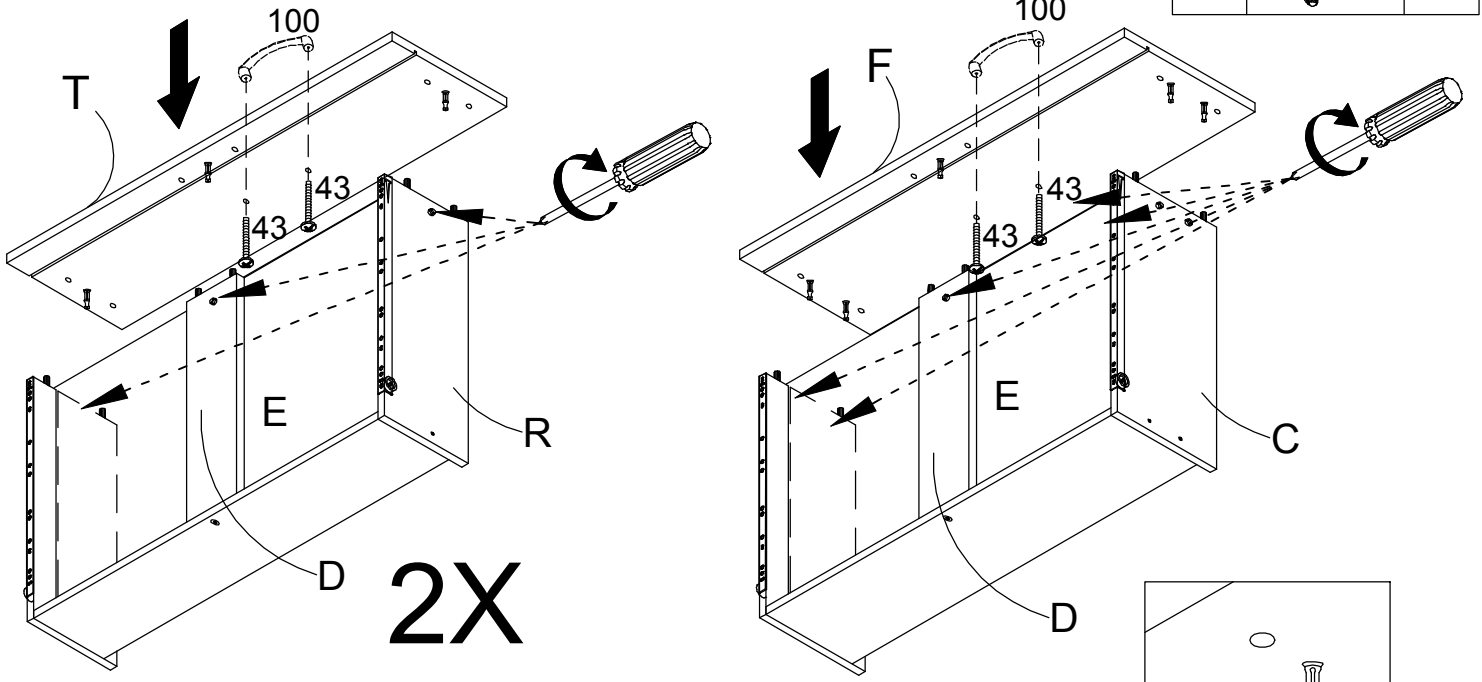


x11

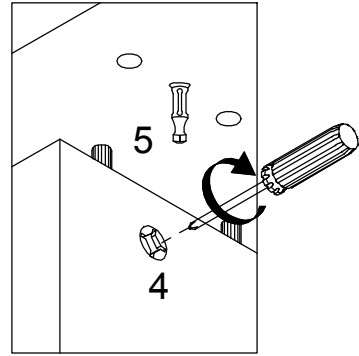


Step 12 DO NOT use any power tools as this may damage the panel part and will invalidate any claim.

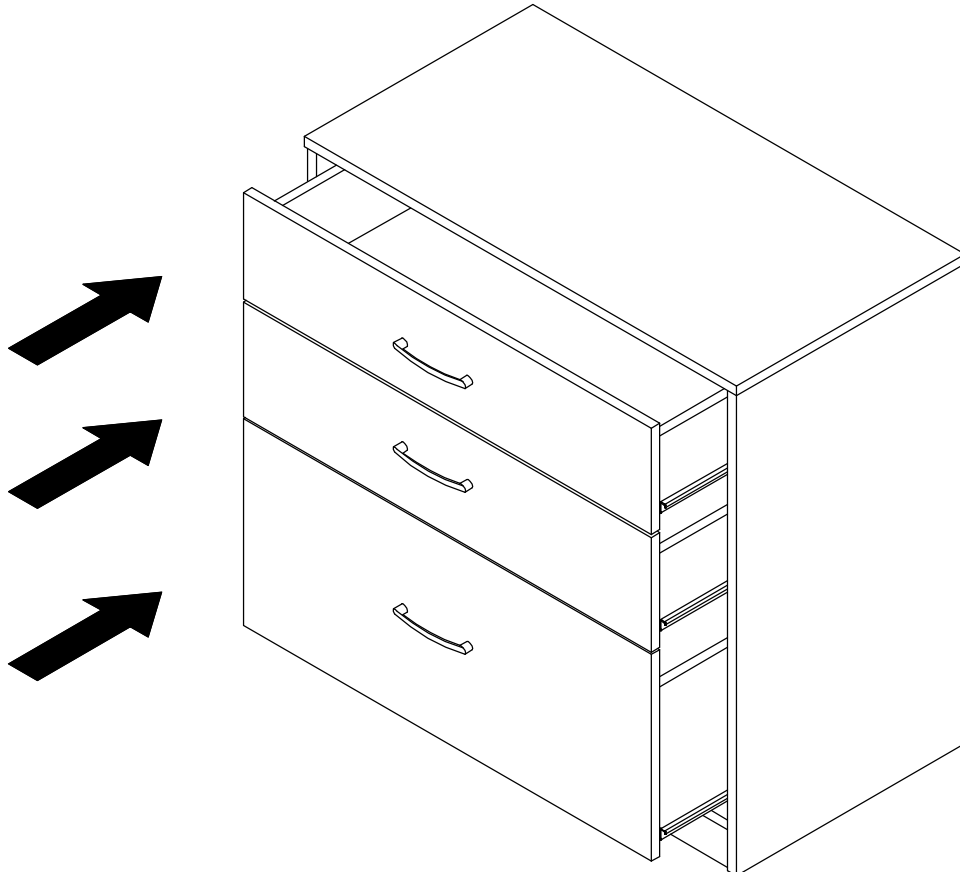
100		x3
43		x6



WHEN FITTING CAMS
ENSURE STARTING POSITION IS CORRECT
BEFORE YOU INSERT CAMLOCK OR DRAWER CAMLOCK.
TURN CLOCKWISE UNTIL SECURE



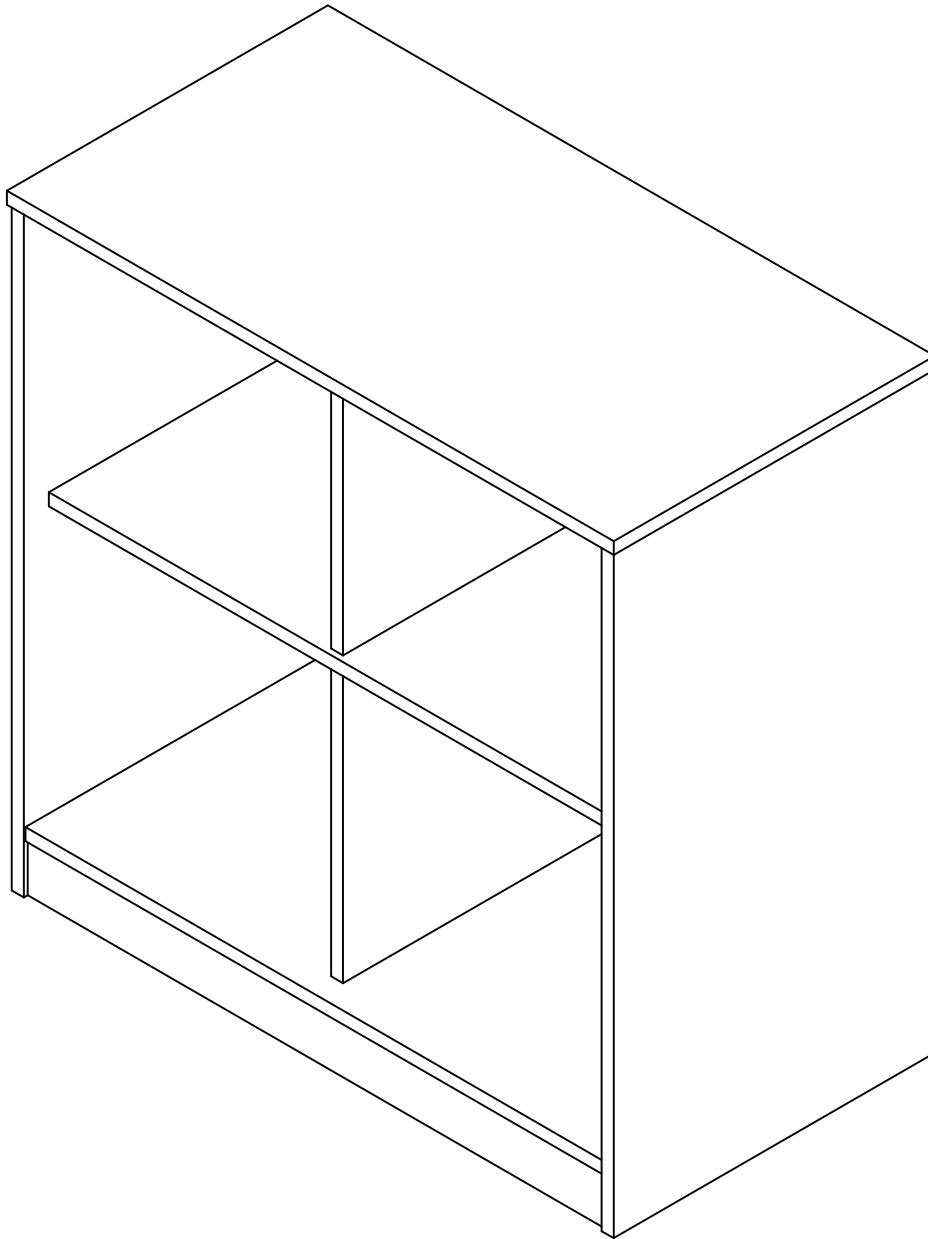
Step 13 DO NOT use any power tools as this may damage the panel part and will invalidate any claim.



Insert Drawer into Body

MIDSLEEPER - Quad Unit

ASSEMBLY INSTRUCTION



SAFETY ADVICE

Please take the time to carefully read through the whole of these instruction before you commence.

Keep these instruction for future reference.

Unpack,inspect and check of all of the contents.

Please dispose of all packing safely.

Small components parts could choke a child is swallowed.

We strongly recommend that you keep children well away from the work area.

It would be sensible to lay a sheet or blanket on the floor where you intend to work to avoid

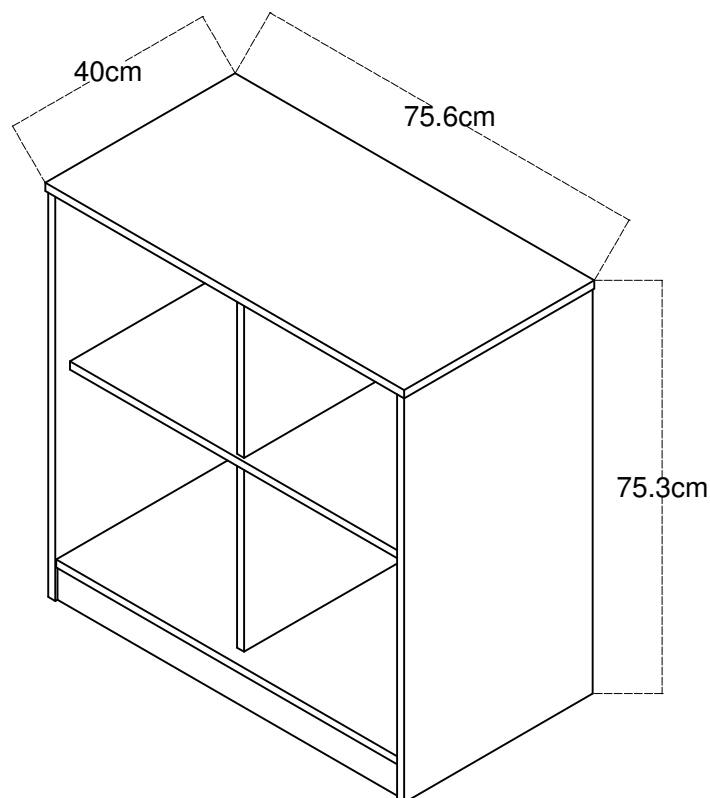
Scratching this product and protect your floor.

This bed is heavy. Always lift this bed with two people.

Assemble the product as close to its intended final position in the room as possible.

Keep any sharp object away from the bed frame.

HANDY HINT: If you keep the hardware in bowl during assembly you will be less likely to lose them



PART LIST

Model : MIDSLEEPER - Quad Unit

Carton 5 of 5

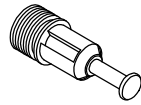
No.	Part Name	Pcs
G	Side Panel Left	1
H	Side Panel Right	1
J	Center Panel Upper	1
JL	Center Panel Lower	1
K	Shelf Fix Panel	1
L	Front Leg	1
M	Bottom Panel	1
N	Top Panel	1
P	Back Panel	2

FITTING LIST

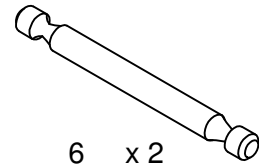
Hardware



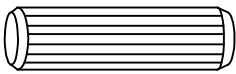
1 x 22
Camlock



3 x 18
Camlock Bolt



6 x 2
Minifit Bolt



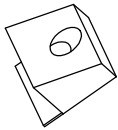
20 x 19
M8 x 25mm PVC Dowel



22 x 2
M8 x 50mm PVC Dowel

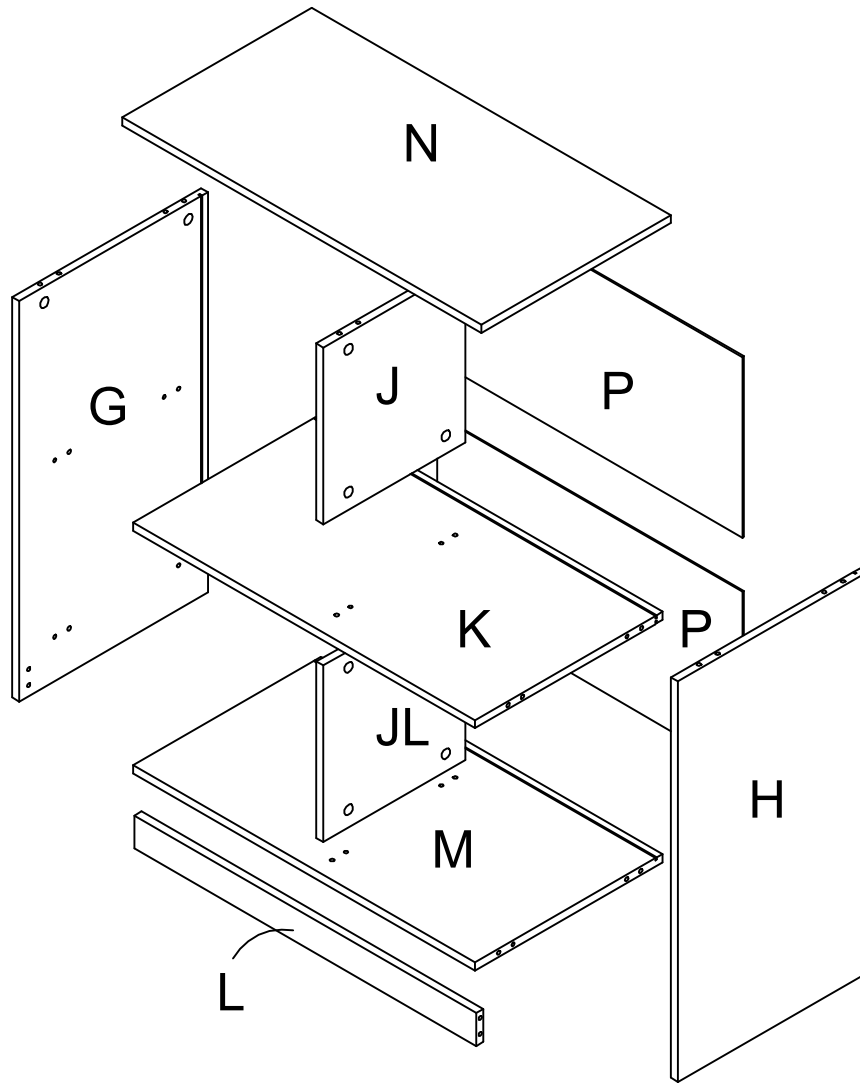


29 x 6
M3 x 19mm screw





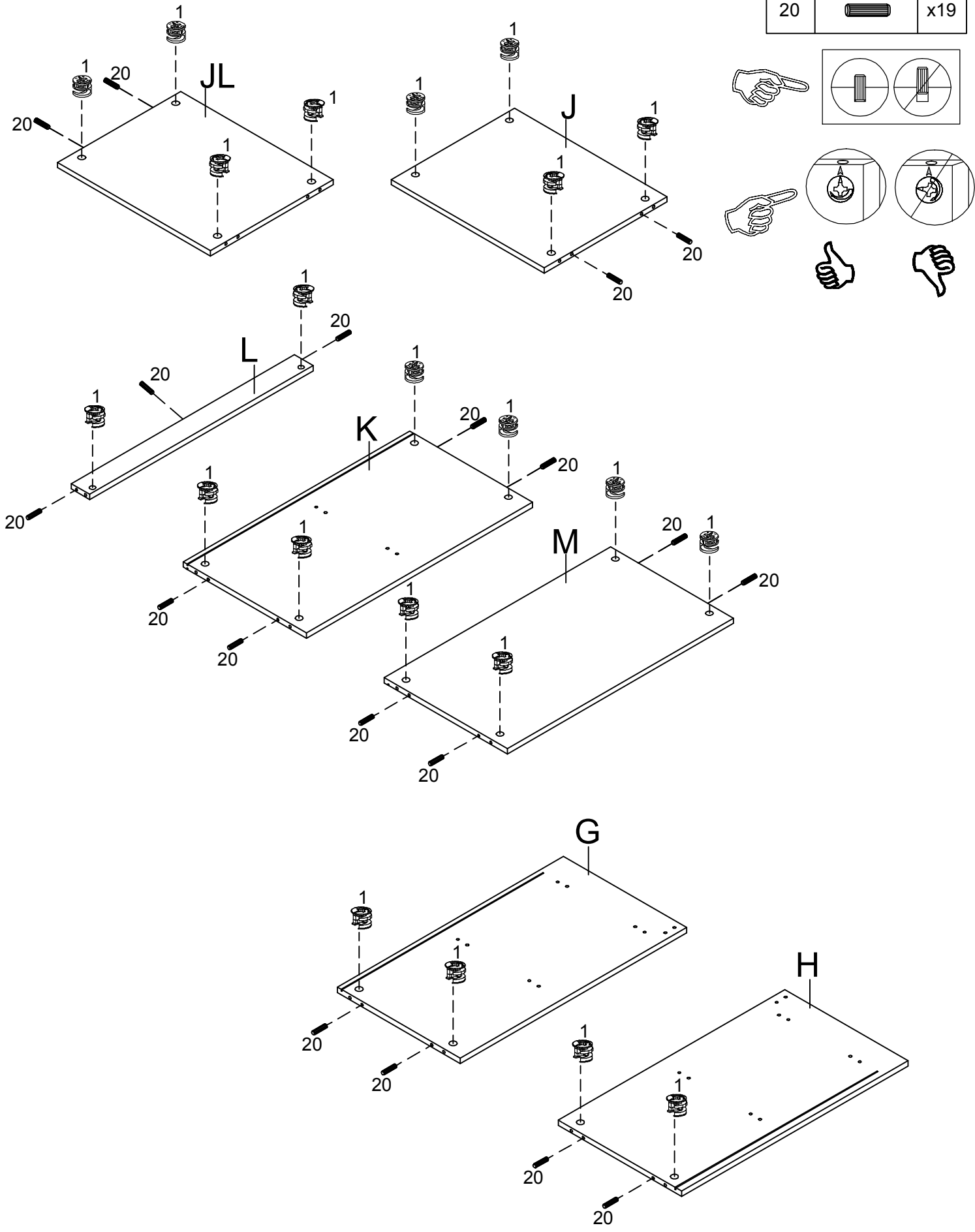
53 x 6
Stub 192

Parts



Step 1 DO NOT use any power tools as this may damage the panel part and will invalidate any claim.

1		x22
20		x19

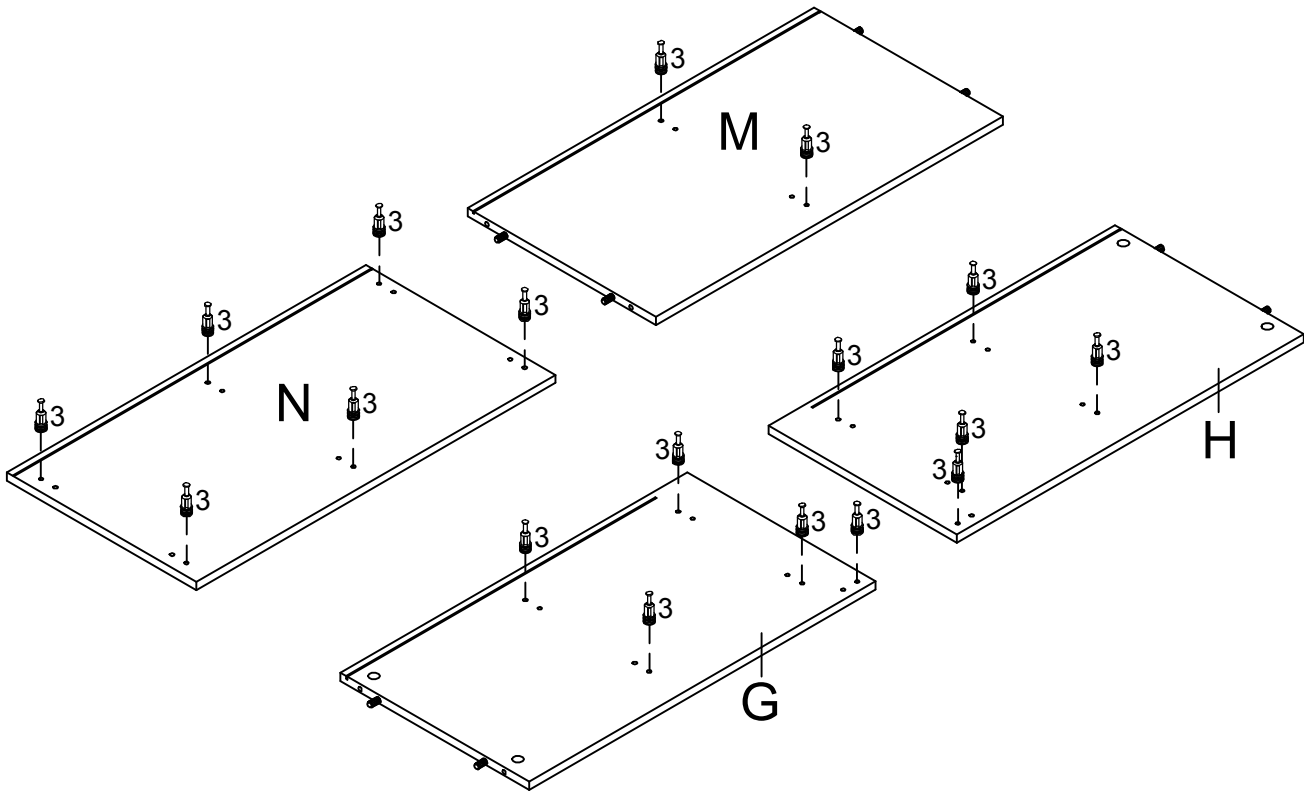


Step 2 DO NOT use any power tools as this may damage the panel part and will invalidate any claim.

3



x18



Step 3 DO NOT use any power tools as this may damage the panel part and will invalidate any claim.

6

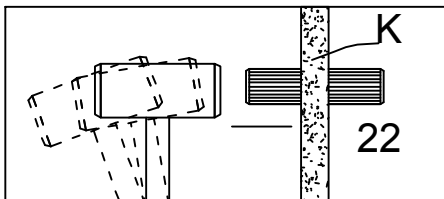
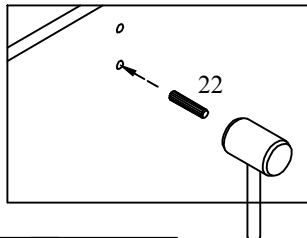
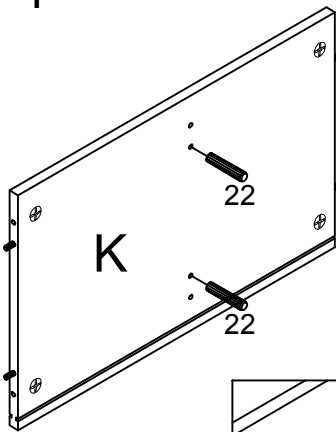


x2

22



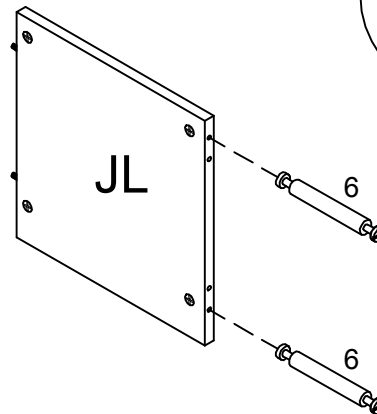
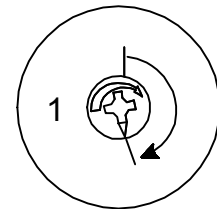
x2



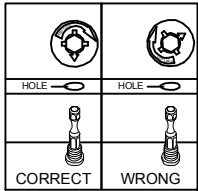
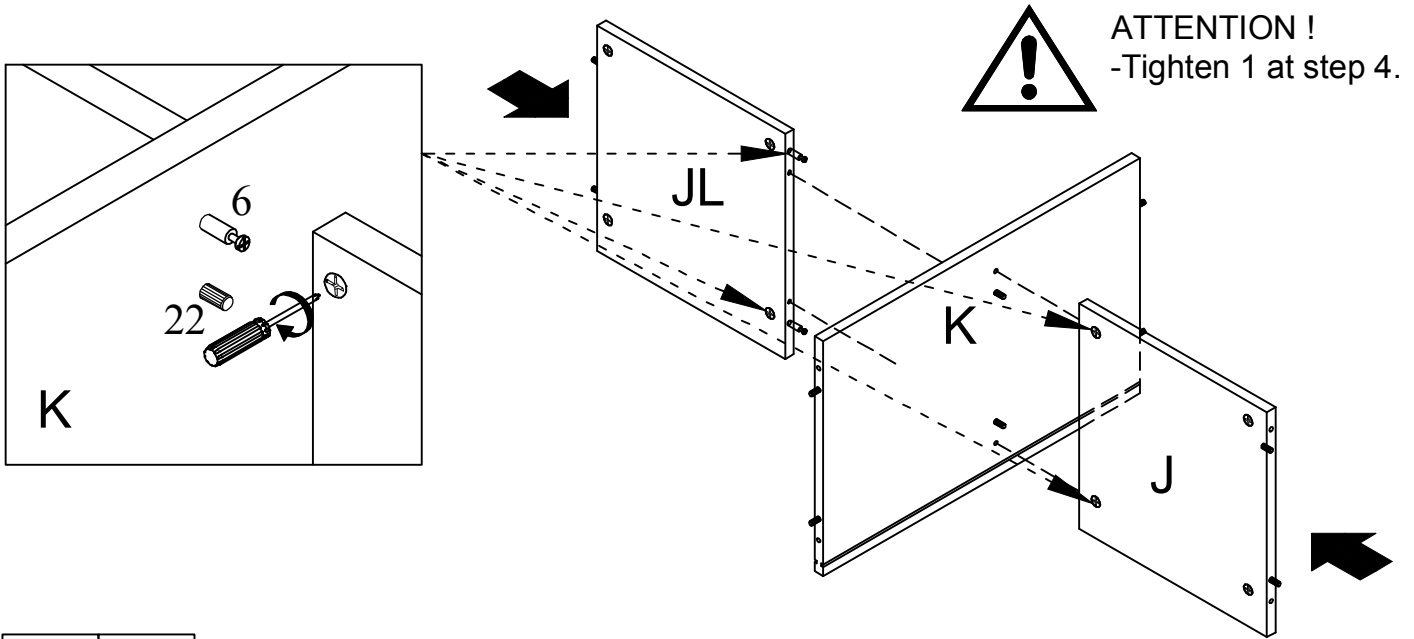
ATTENTION !

- Lock 1 as shown below.

- Tighten 1 at step 4.

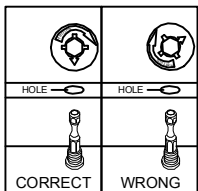
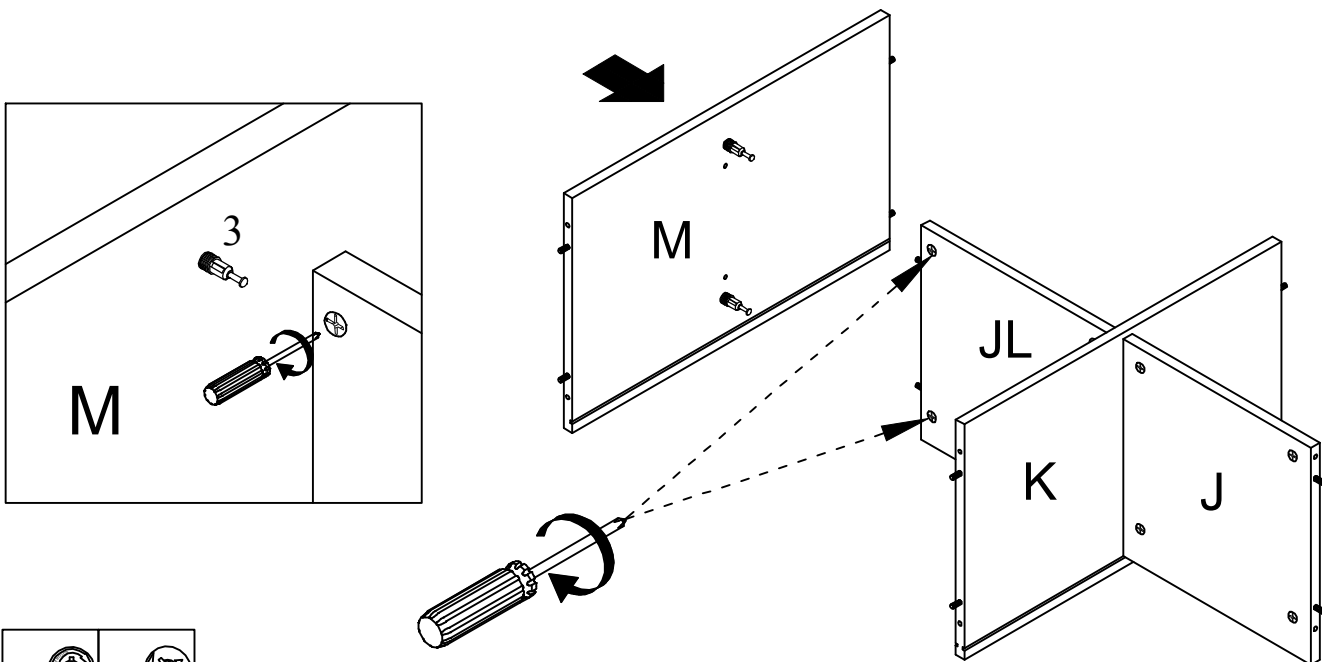


Step 4 DO NOT use any power tools as this may damage the panel part and will invalidate any claim.



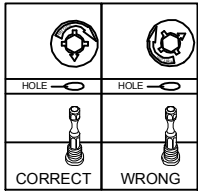
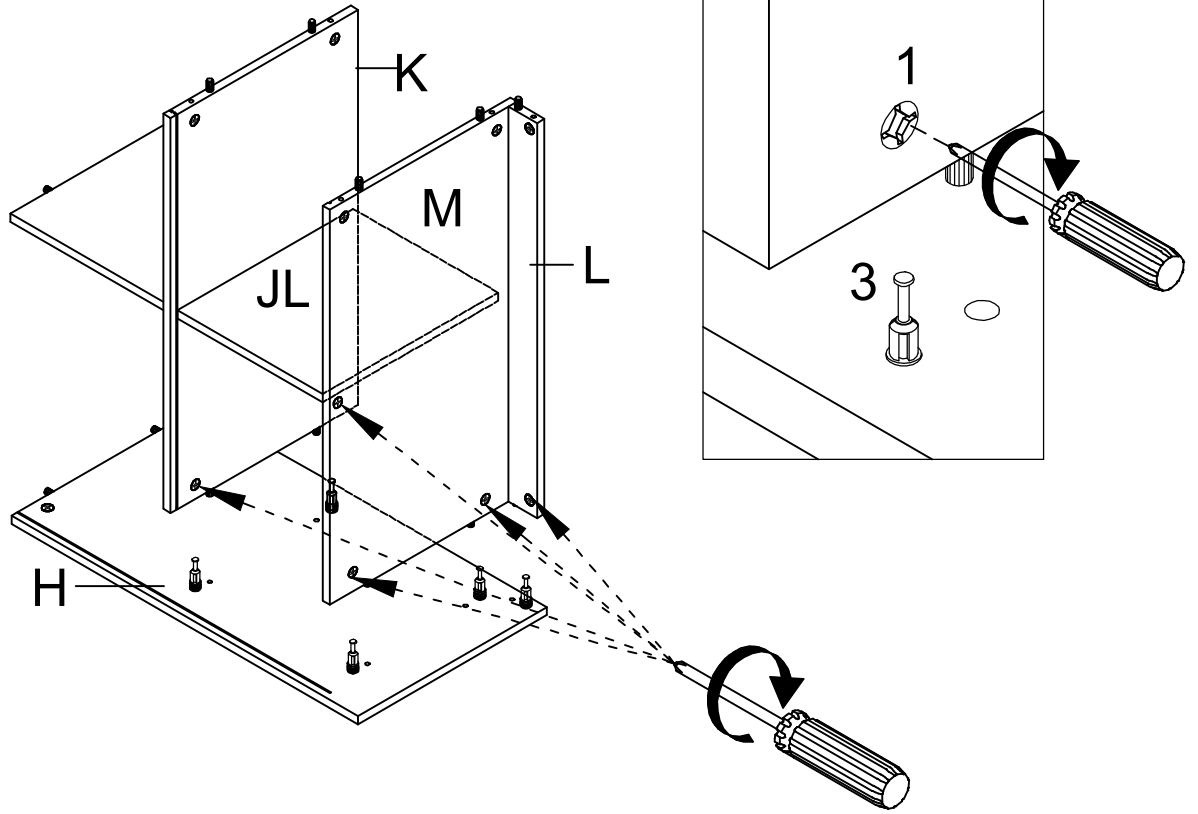
WHEN FITTING CAMS
ENSURE STARTING POSITION IS CORRECT
BEFORE YOU INSERT CAMLOCK OR DRAWER CAMLOCK.
TURN CLOCKWISE UNTIL SECURE

Step 5 DO NOT use any power tools as this may damage the panel part and will invalidate any claim.



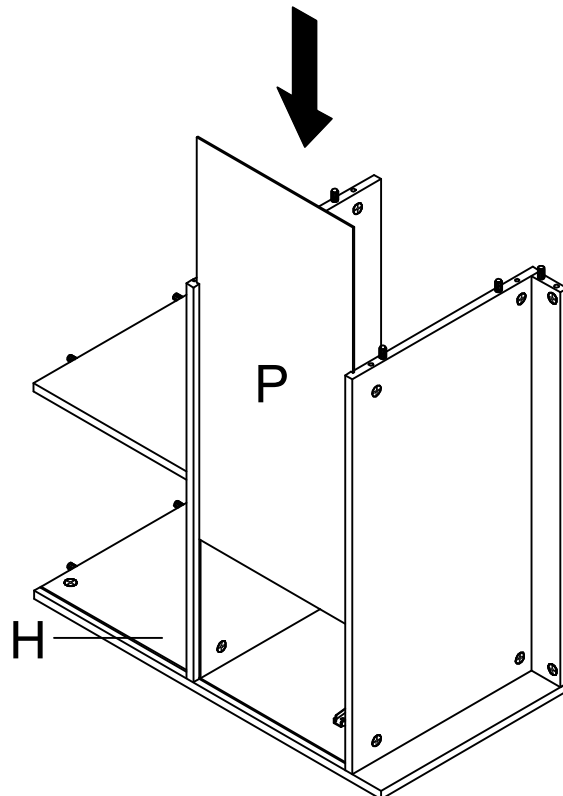
WHEN FITTING CAMS
ENSURE STARTING POSITION IS CORRECT
BEFORE YOU INSERT CAMLOCK OR DRAWER CAMLOCK.
TURN CLOCKWISE UNTIL SECURE

Step 6 DO NOT use any power tools as this may damage the panel part and will invalidate any claim.



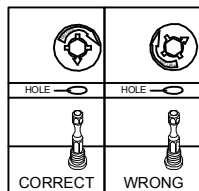
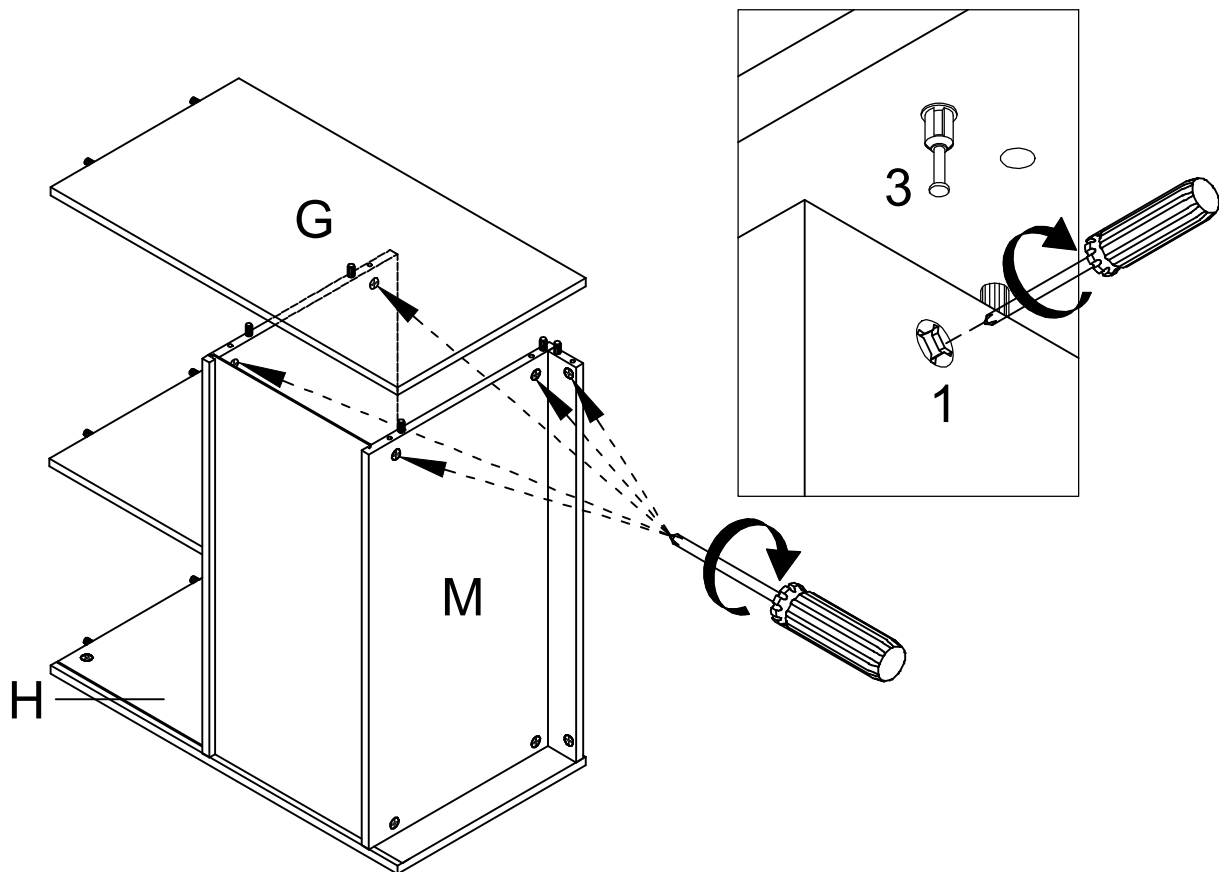
WHEN FITTING CAMS
ENSURE STARTING POSITION IS CORRECT
BEFORE YOU INSERT CAMLOCK OR DRAWER CAMLOCK.
TURN CLOCKWISE UNTIL SECURE

Step 7 DO NOT use any power tools as this may damage the panel part and will invalidate any claim.



Step 8

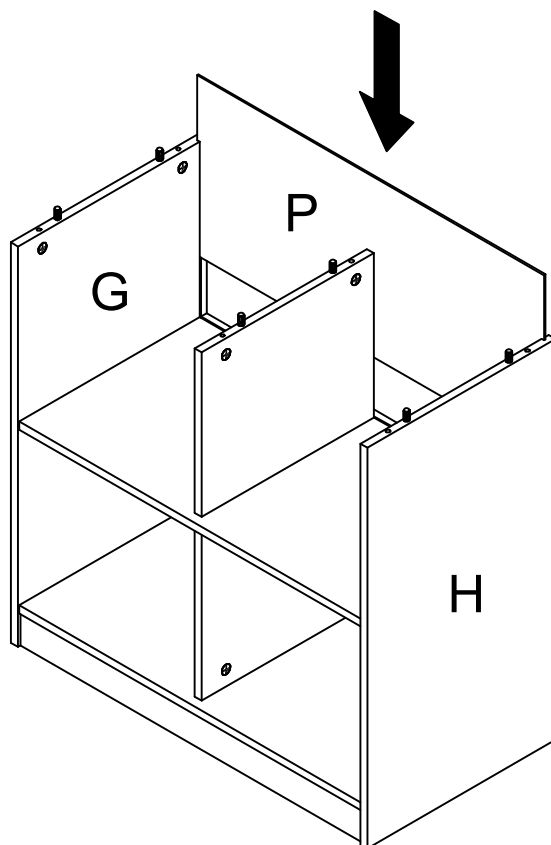
DO NOT use any power tools as this may damage the panel part and will invalidate any claim.



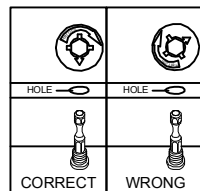
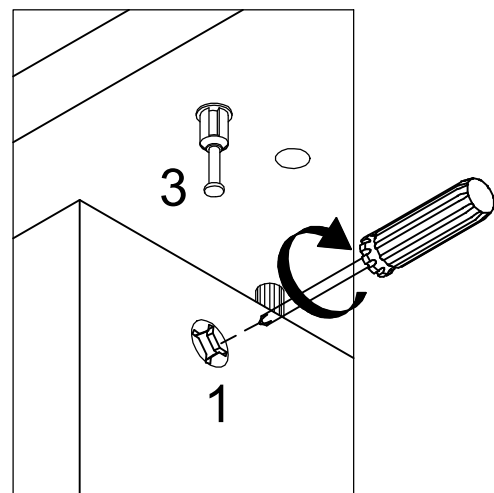
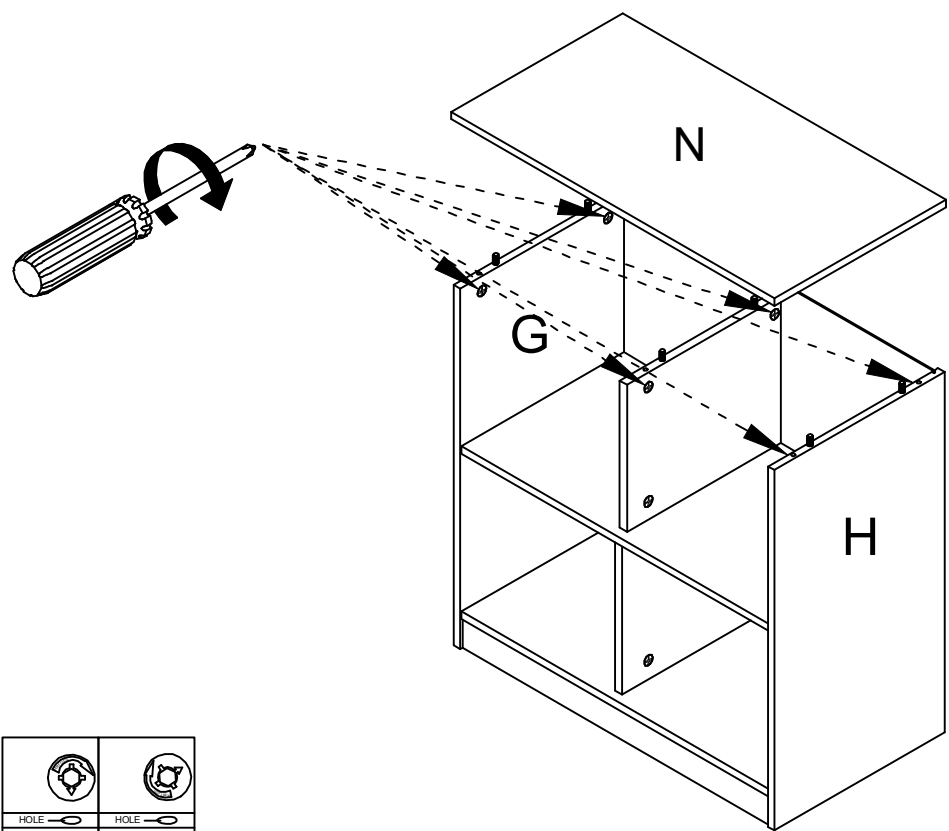
WHEN FITTING CAMS
ENSURE STARTING POSITION IS CORRECT
BEFORE YOU INSERT CAMLOCK OR DRAWER CAMLOCK.
TURN CLOCKWISE UNTIL SECURE

Step 9

DO NOT use any power tools as this may damage the panel part and will invalidate any claim.



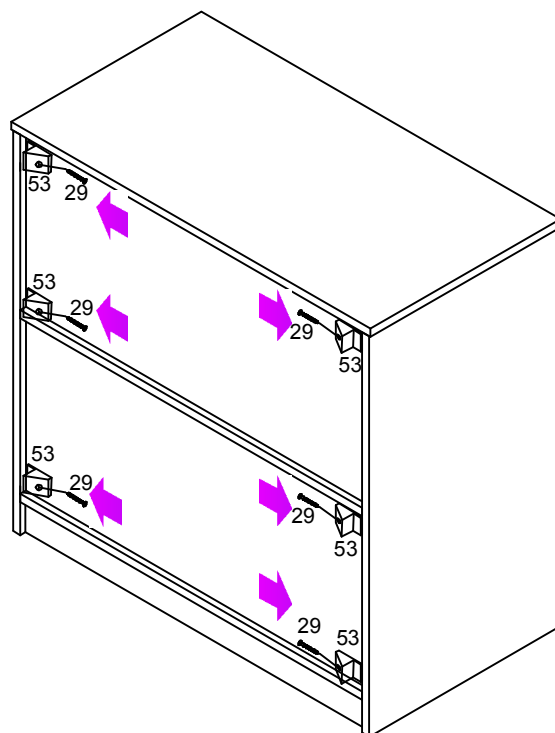
Step 10 DO NOT use any power tools as this may damage the panel part and will invalidate any claim.



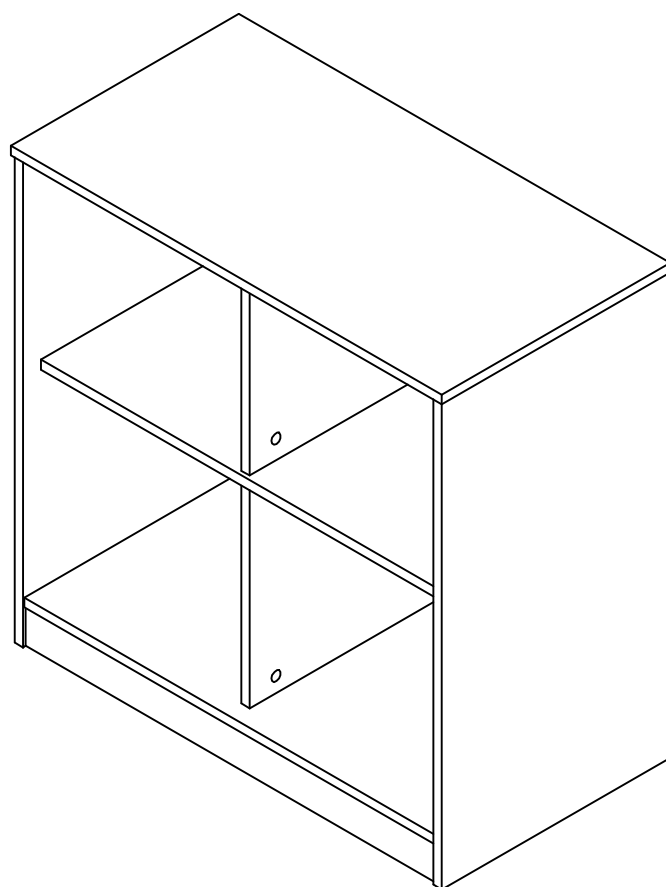
WHEN FITTING CAMS
ENSURE STARTING POSITION IS CORRECT
BEFORE YOU INSERT CAMLOCK OR DRAWER CAMLOCK.
TURN CLOCKWISE UNTIL SECURE

Step 11 DO NOT use any power tools as this may damage the panel part and will invalidate any claim.

29		x6
53		x6



COMPLETED DO NOT use any power tools as this may damage the panel part and will invalidate any claim.



Please dispose of all packaging safely.

General Care & Maintenance

Wipe clean with a slightly damp cloth.
Avoid the use of all household cleaners and abrasives.

Periodically check all screw & fixings to ensure they are secure.

When moving your product, carefully lift into place. Never drag or push the product across the floor as this will cause damage to the joints. If the product is used on hard flooring, such as wood or laminated floor, you must place some protection under the legs to stop the product from moving. If this is not adhered to, it could result in failure to the product that will invalidate the warranty.

For more information on cleaning and product care visit:
<https://www.happybeds.co.uk/help-and-advice>

Notes

In the unlikely event that you have problems putting this product together or have damaged or missing parts, please contact us by visiting:
<https://www.happybeds.co.uk/customer-service>