



## Assembly Instructions

### Important before assembly:

Read these instructions carefully before assembling or using the product.

Please check the contents of the boxes before attempting to assemble this product. The instructions will have a checklist of parts and fittings.

Assemble the product as close to its intended final location/room as possible.

### Health & Safety:

This product or some parts of this product will be heavy. Please use an assistant when lifting.

Please keep small parts out of reach of children.

Always use on a level, even surface.

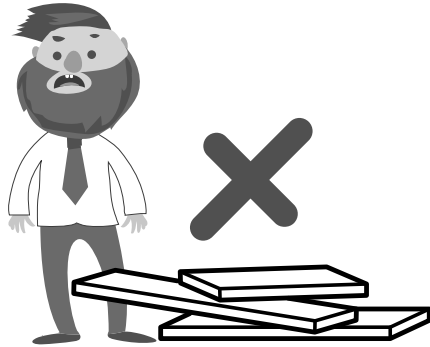
DO NOT jump on the product or any of its parts.

DO NOT use this product if any parts are missing, damaged or worn.

DO NOT use this product unless all fixings are secured.

**Further instructions are on the following pages.**

Please keep these instructions for future reference.



This product or some parts of this product will be heavy. Please use an assistant when lifting.



Never drag or push the pieces across a hard or stone floor as this will cause damage to the joints. Use a carpet or a rug for extra care.

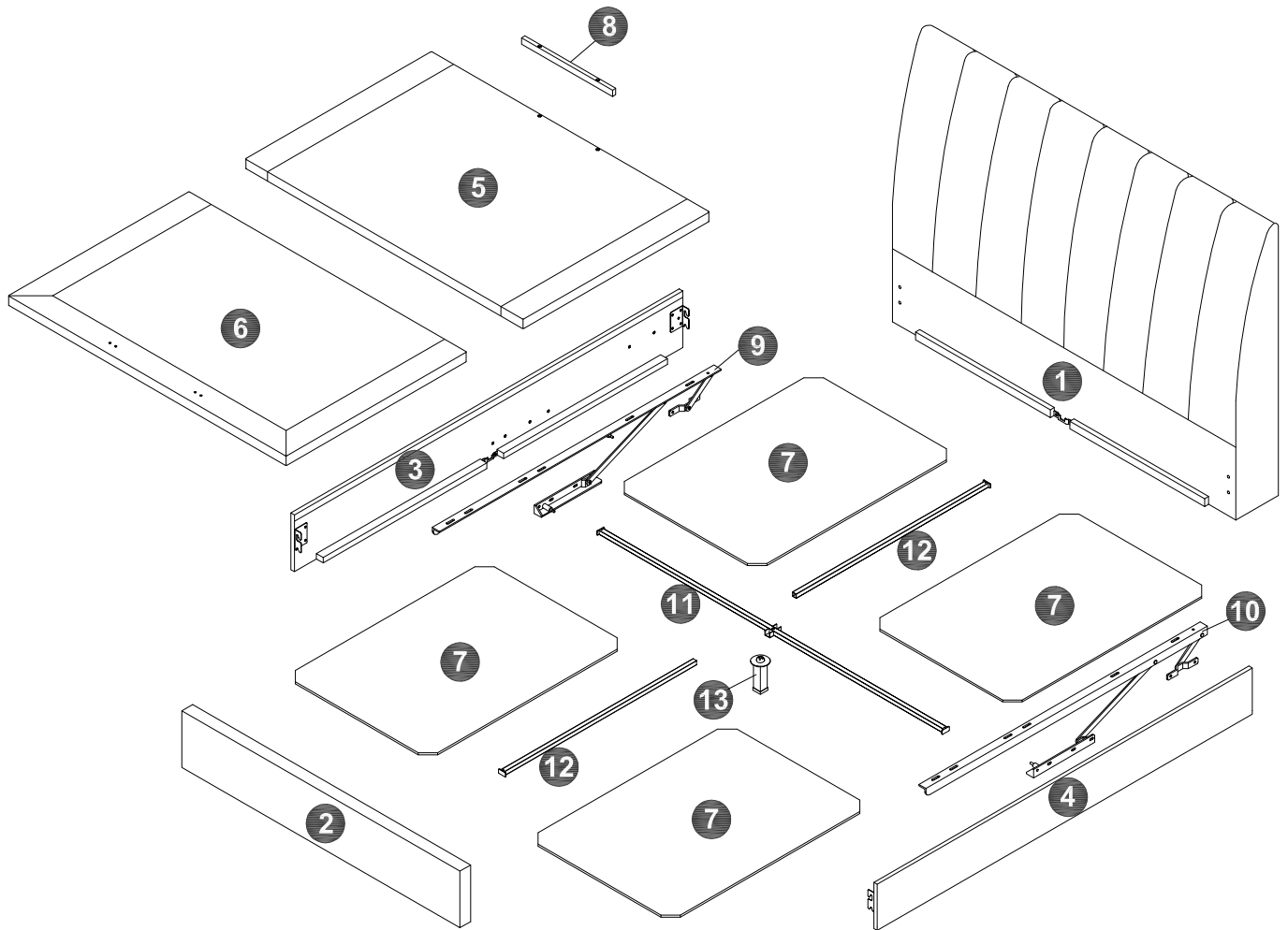


If you have problems assembling or have damaged or missing pieces, please contact our customer services (details at the back of these instructions)

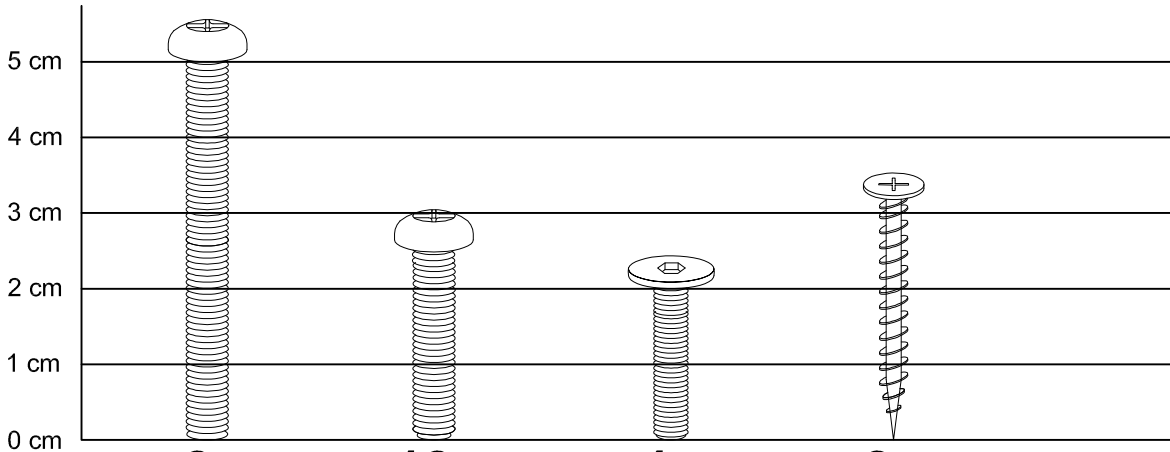
# PARTS LIST

NO.	PART LISTS	QTY
1	HEADBOARD	1
2	FOOTBOARD	1
3	SIDE RAIL (L)	1
4	SIDE RAIL (R)	1
5	FRONT LIFT BASE	1
6	BACK LIFT BASE	1
7	BASE PANEL	4
8	MATTRESS SUPPORT RAIL	1
9	LIFT UP MECHANISM (LEFT)	1
10	LIFT UP MECHANISM (RIGHT)	1
11	BOTTOM CROSS RAIL (LONG)	1
12	BOTTOM CROSS RAIL (SHORT)	2
13	CENTRE SUPPORT LEG	1

CARTON 1 CONSISTS OF PART : 1, HB LEGS , FB LEGS  
 CARTON 2 CONSISTS OF PART : 2  
 CARTON 3 CONSISTS OF PART : 3,4,8,11,12,13 HARDWARE  
 CARTON 4 CONSISTS OF PART : 5,6  
 CARTON 5 CONSISTS OF PART : 7  
 CARTON 6 CONSISTS OF PART : 9,10



# HARDWARE LIST

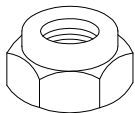


**2x**  
M8 X 50mm  
**A**  
BOLT

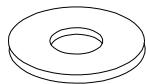
**12x**  
M8 X 25mm  
**B**  
BOLT

**4x**  
M6 X 20mm  
**C**  
BOLT

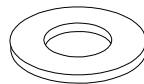
**8x**  
#8 X 32mm  
**D**  
SCREW



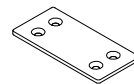
**4x**  
M8 X 13mm  
**E**  
LOCK NUT



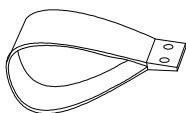
**4x**  
M6 X 16mm  
**F**  
FLAT WASHER



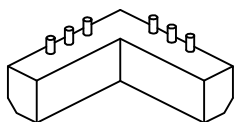
**12x**  
M8 X 18mm  
**G**  
FLAT WASHER



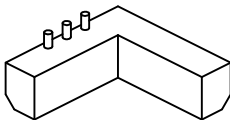
**2x**  
86 X 40mm  
**H**  
METAL PLATE



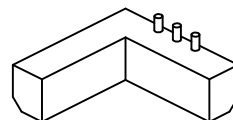
**2x**  
**I**  
STRAP HANDLE



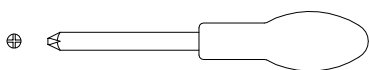
**2x**  
**J**  
HEADBOARD LEG



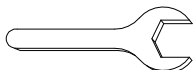
**1x**  
**K**  
FOOTBOARD LEG LEFT



**1x**  
**L**  
FOOTBOARD LEG RIGHT



**1x**  
**N**  
SCREW DRIVER  
(4" x 5mm)



**1x**  
**O**  
SPANNER  
(13mm)



**1x**  
**P**  
ALLEN KEY  
(M4)



**2x**  
**Q**  
STUD BOLT  
Ø6 X 40mm



**2x**  
564 x 900N  
**M**  
GAS SPRING

## **Top Tips before you start!**

1. Please check that all parts are present before you start the assembly of your furniture, as once assembled, the furniture is exempt from our home approval policy.
2. For ease and speed of assembly, we recommend that before you commence each step of the assembly, that you identify all the parts required for that step.
3. For larger items, please ensure that you have sufficient space and people (as indicated on page 1) to assemble your product safely.
4. We recommend that, where possible, all items are assembled near to the area in which they will be placed in use, to avoid moving the product unnecessarily once assembled.
5. For the protection of your furniture, particularly items of high gloss finish, we recommend that the product is placed on a protected surface during assembly to prevent any damage.
6. During assembly please take care not to over-tighten any fittings, as this may damage the product.

## **Care and Maintenance of your Furniture**

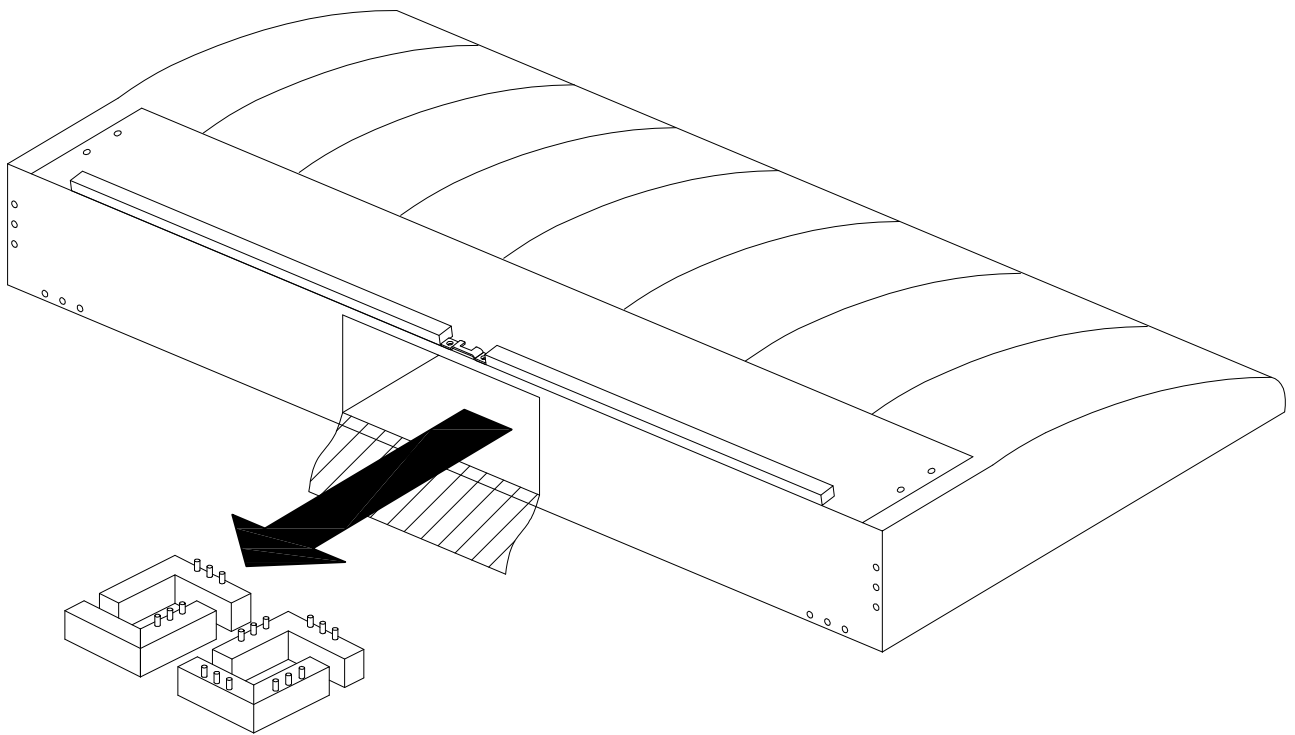
- Please periodically check all fittings and re-tighten as necessary.
- To clean your item, please use a damp cloth and wipe clean.
- Please do not jump on your furniture.
- Never allow any kind of liquid to remain on your furniture. Absorption can cause finishes to de-laminate.
- Periodically check the condition of your bed slats and plastic locating caps to ensure they are in good condition and have not become loose.
- This is very important when moving your bed. It is best to lift the bed, and never to drag it.
- Please kindly take account of your floor covering when assembling a new bed! If the floor offers little resistance (such as wood or laminate) then it is recommended to use rug or similar be placed under each leg.

### **CARE INSTRUCTIONS FOR VELVET FABRIC**

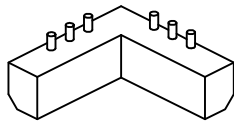
- **If liquid has spilled onto the velvet, soak it up with a paper towel or cloth. Make sure there is no food or debris left on the material. Combine a small amount of dish soap and water in a bucket, mixing it until it becomes soapy. Soak the cloth in the soapy water and apply it gently to the stain. Use the soapy cloth to blot the stain until it disappears. It is important for the velvet fabric to dry quickly. Use a hair dryer on a luke warm setting to accelerate the drying process.**
- **Carefully apply the upholstery cleaner to velvet with soft sponge, leaving the velvet's pile undisturbed. After it is clean, be sure to vacuum and brush the velvet follow the grain always.**
- **A steam cleaner is perfect for removing stains, dirt and debris and disinfecting the velvet fabric without leaving any damage.**
- **If you have concerns regarding liquid/stain removal on your product, please consult a professional cleaning company.**

**DO NOT USE ANY POWER TOOLS AS THIS MAY DAMAGE THE FRAME AND WILL INVALIDATE ANY CLAIM**

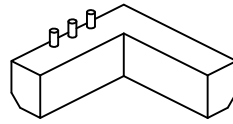
# STEP 1



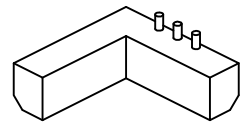
**STEP 2**



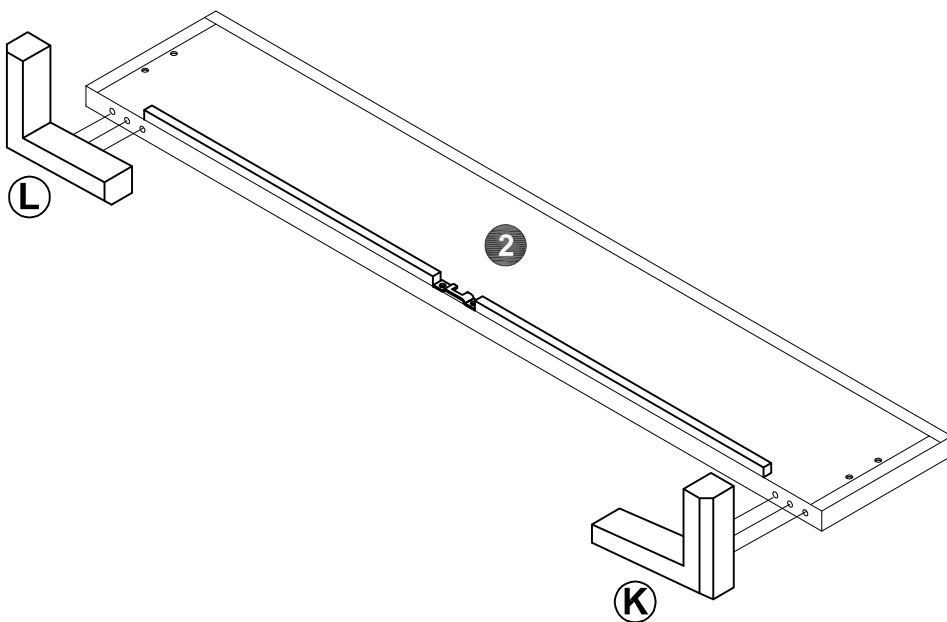
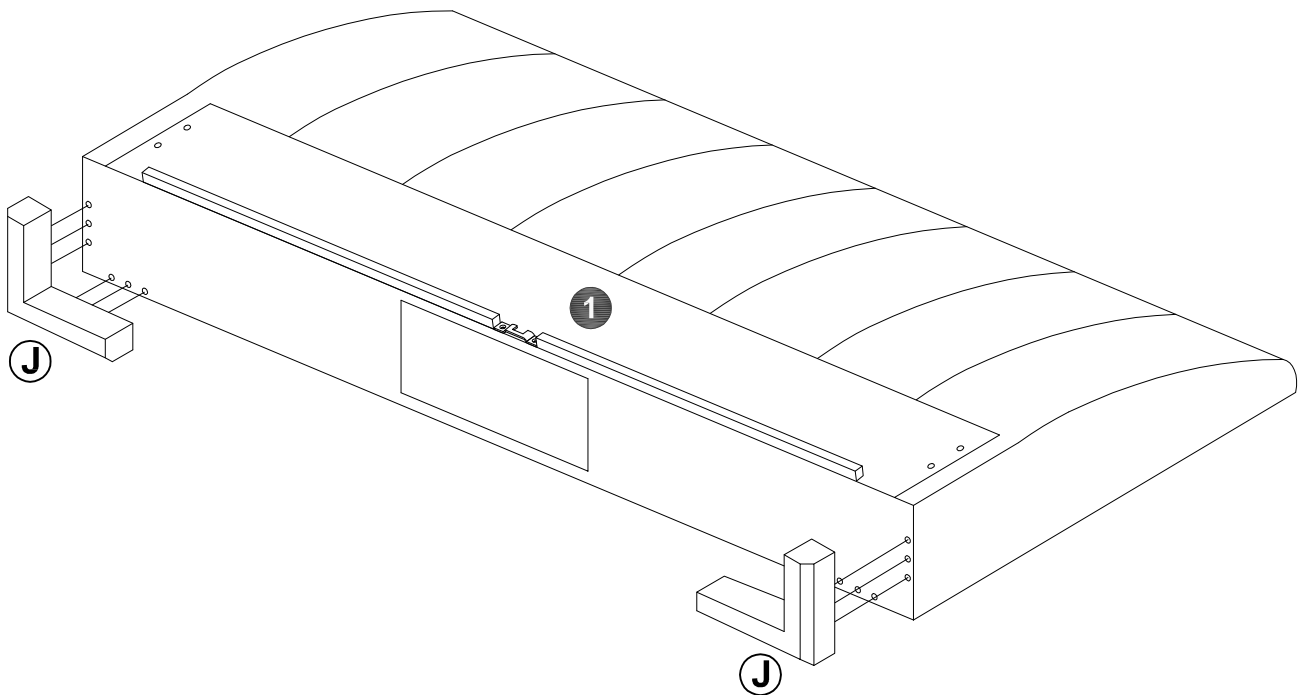
**J x 2**



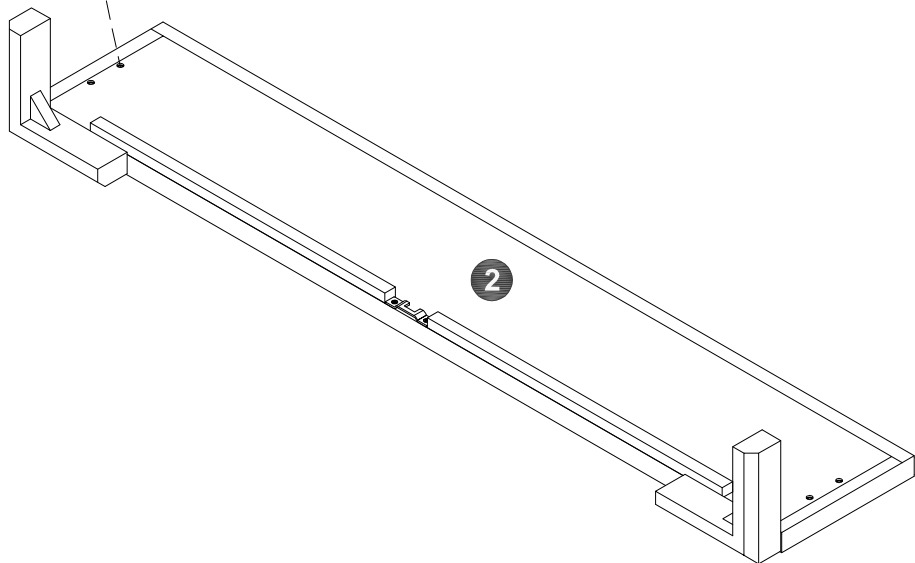
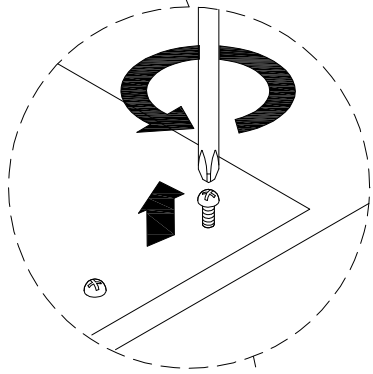
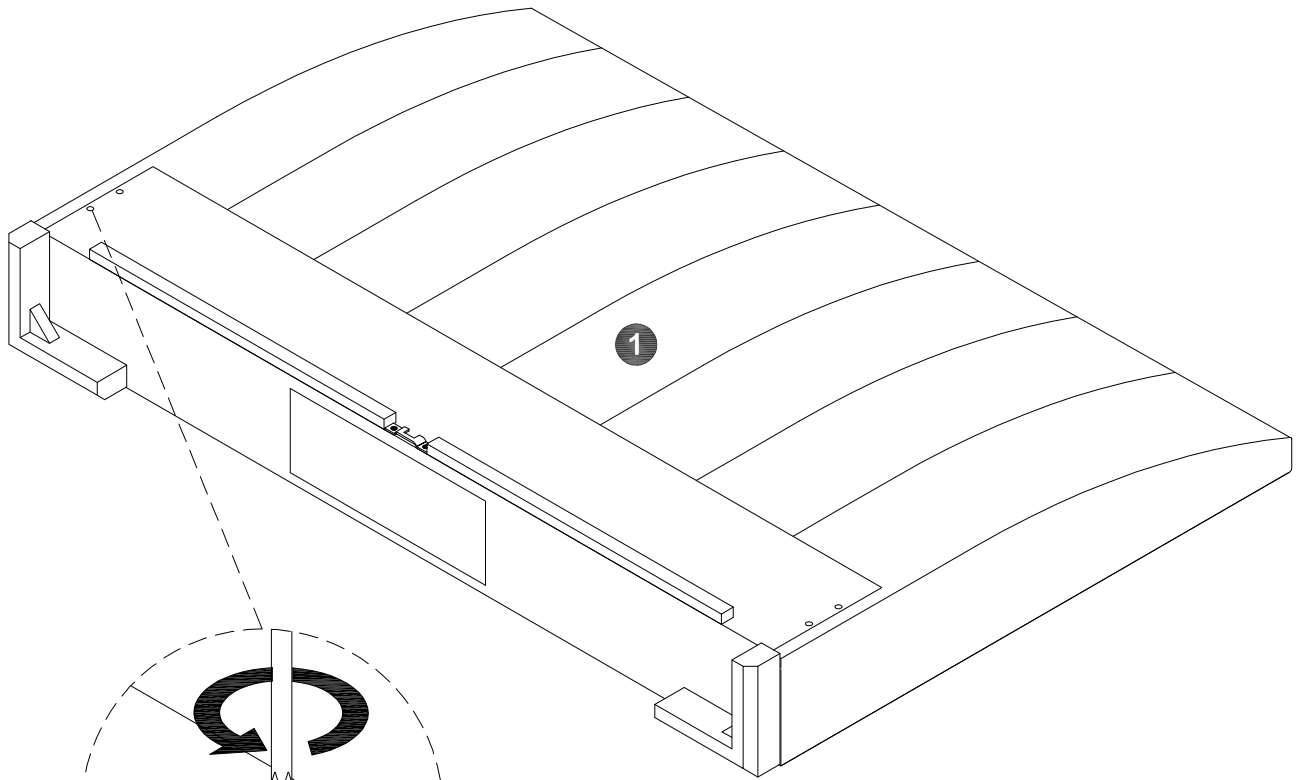
**K x 1**



**L x 1**

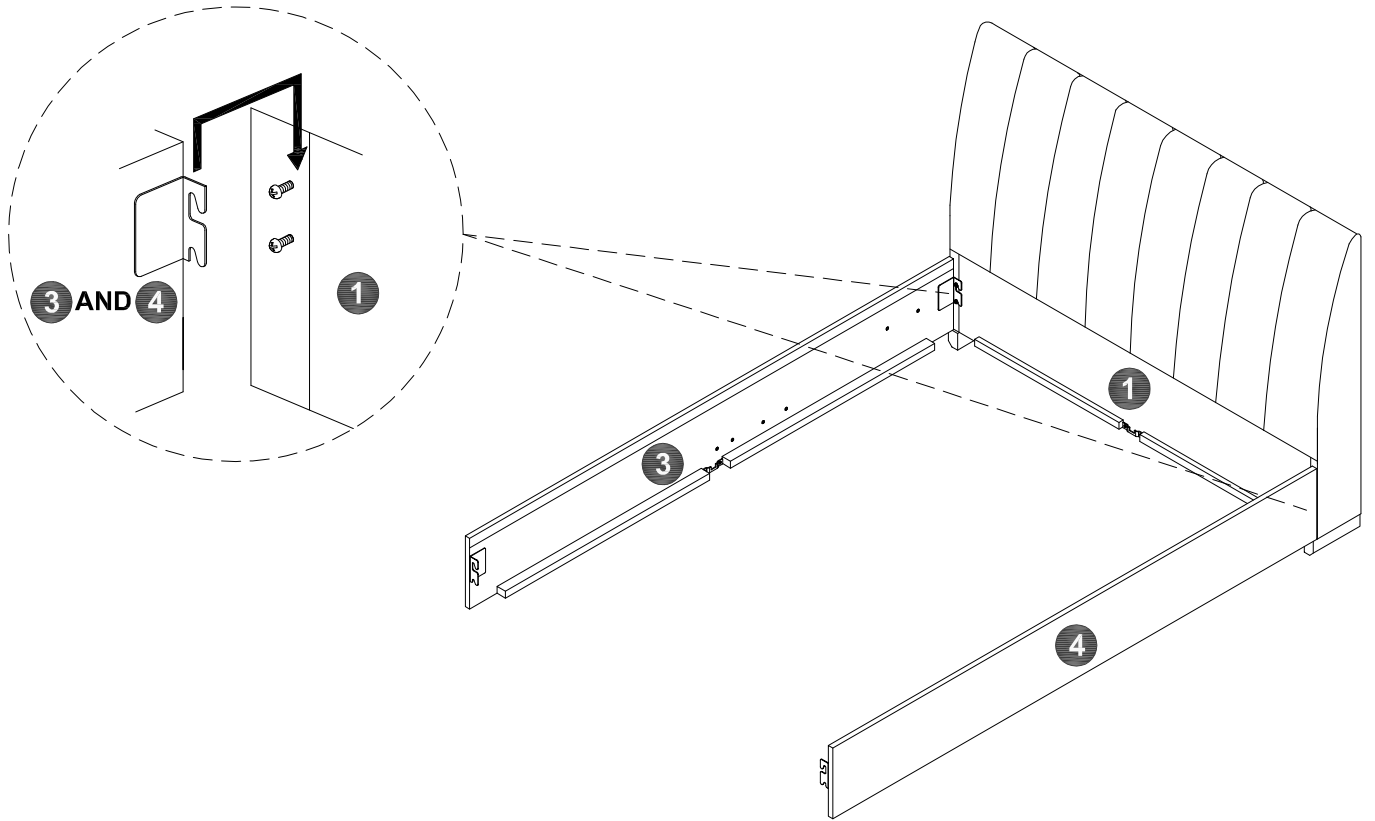


# STEP 3

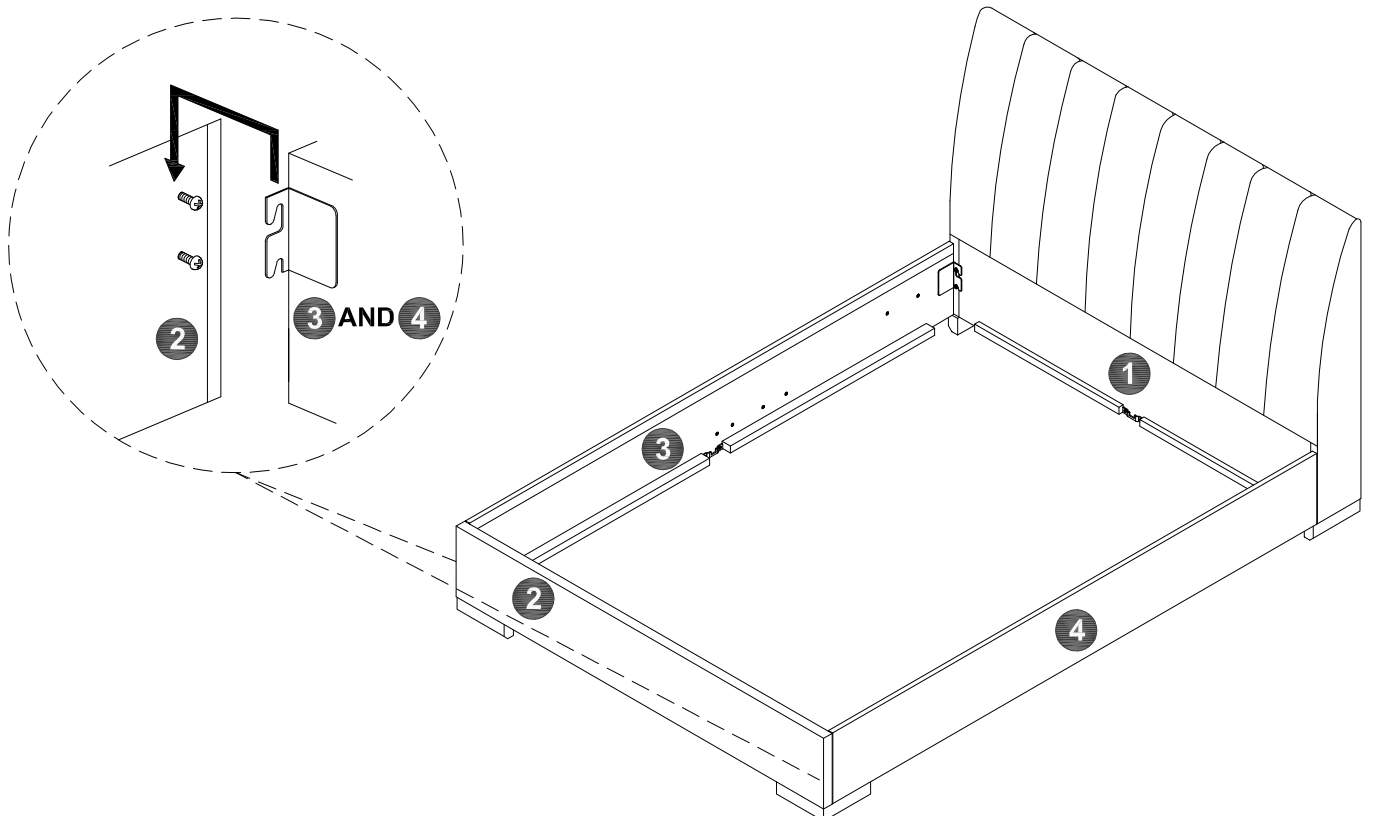




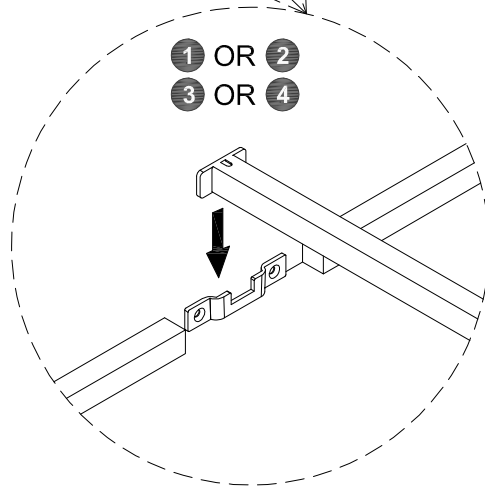
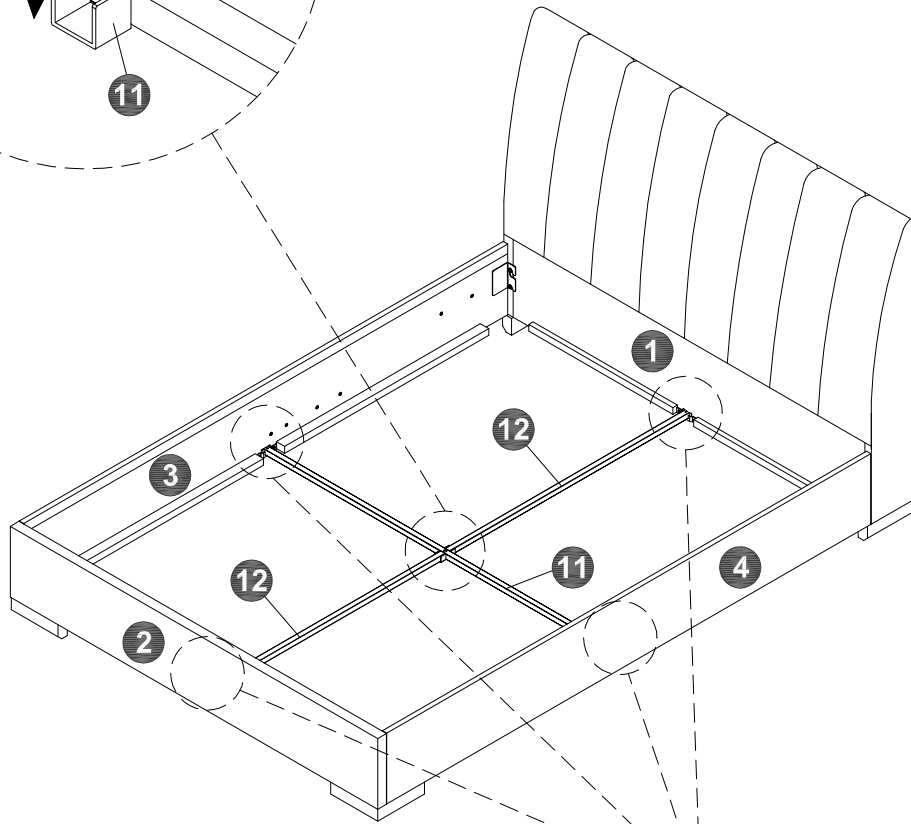
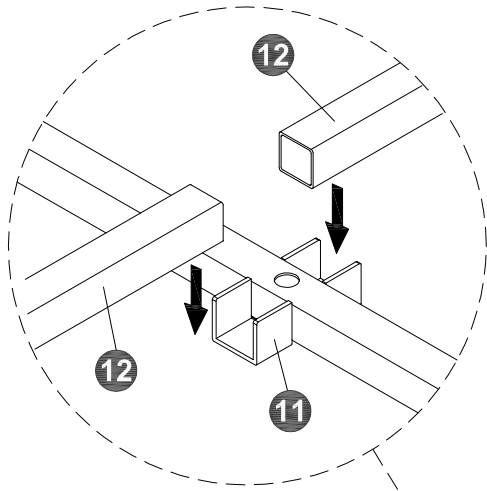
## STEP 4



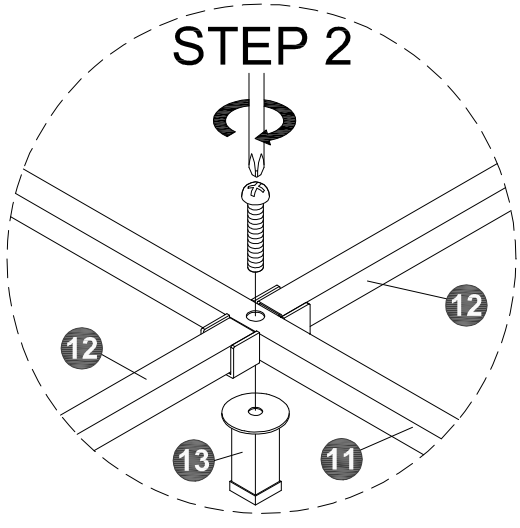
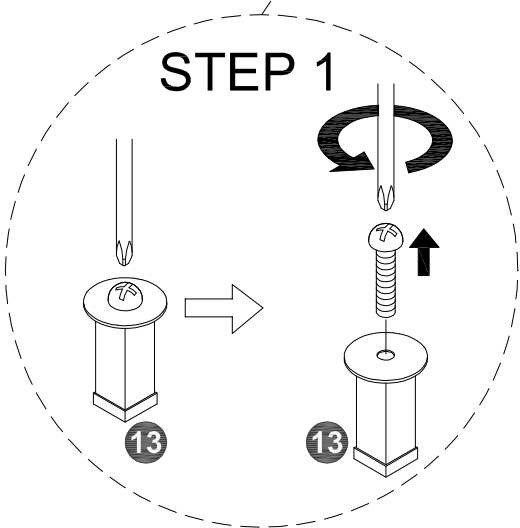
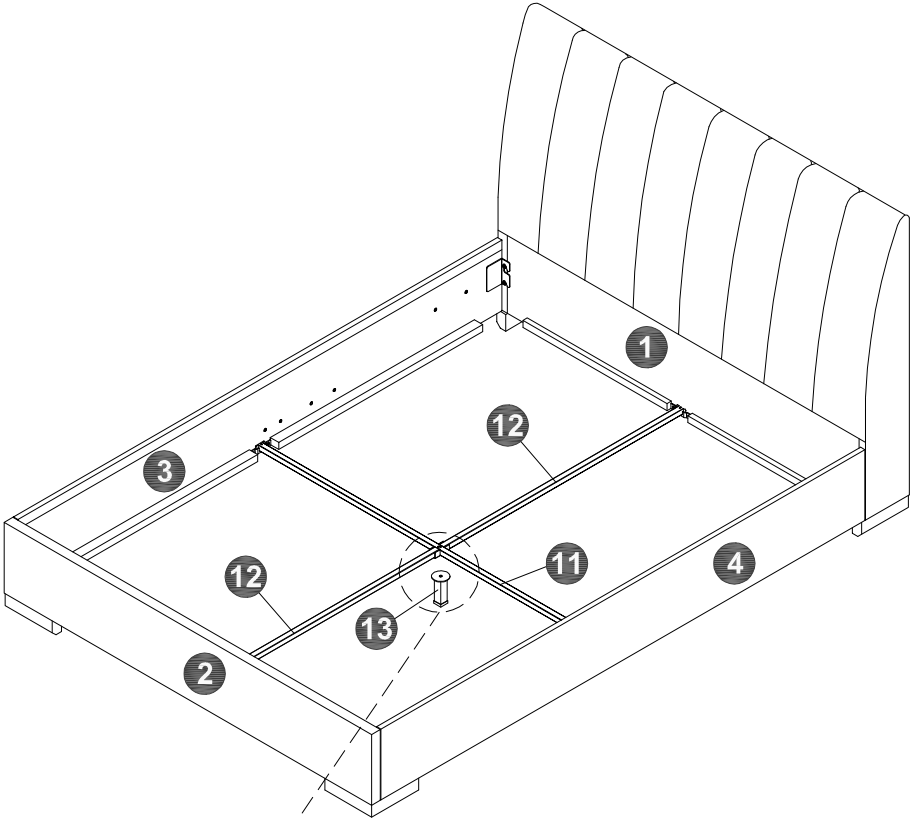
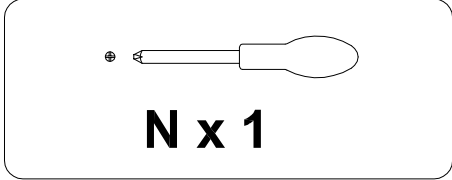
## STEP 5



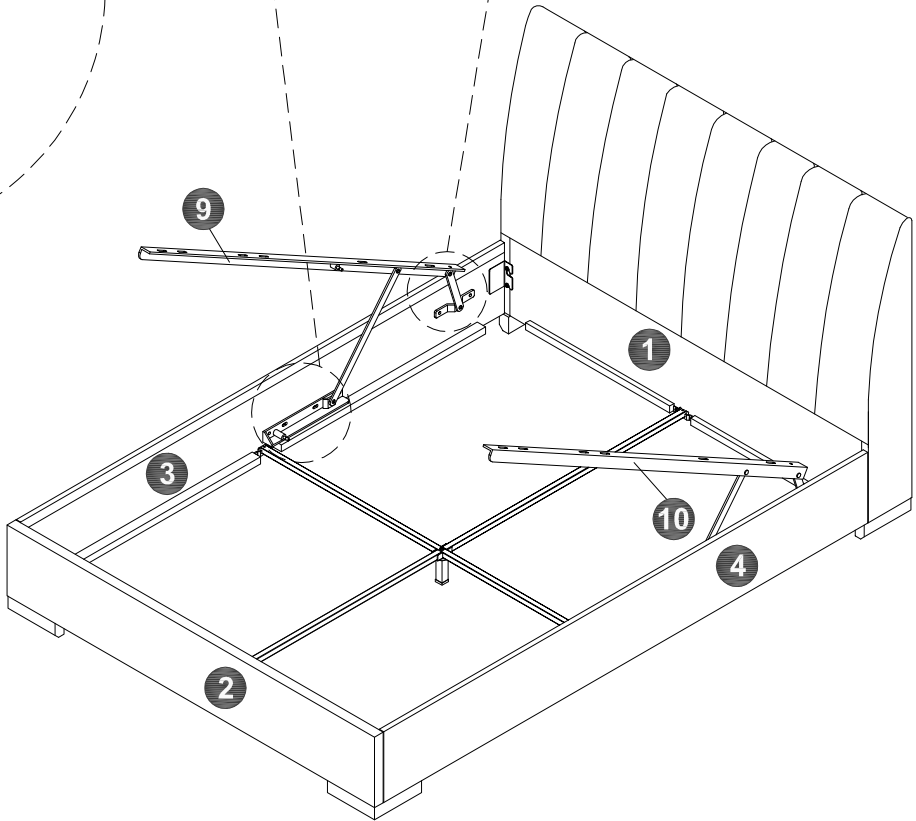
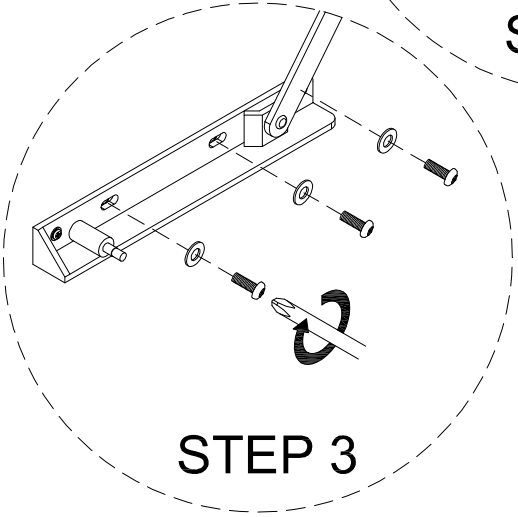
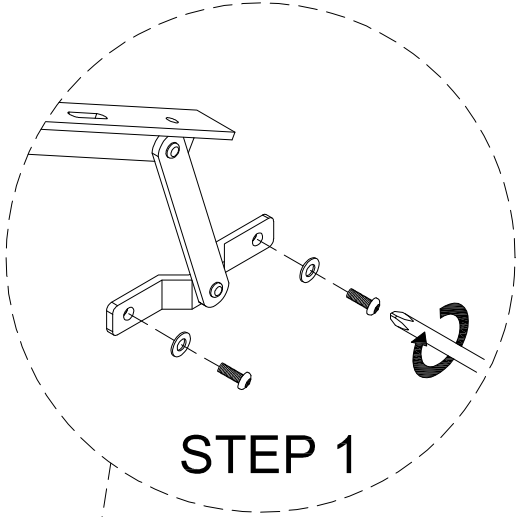
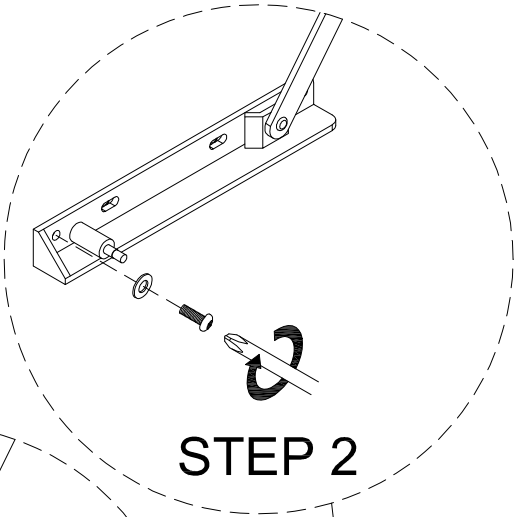
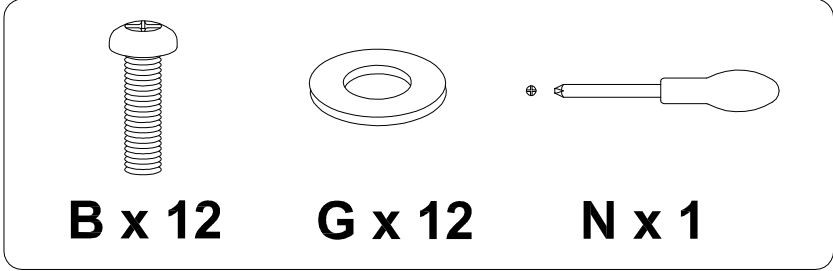
# STEP 6



# STEP 7



**STEP 8**



# STEP 9



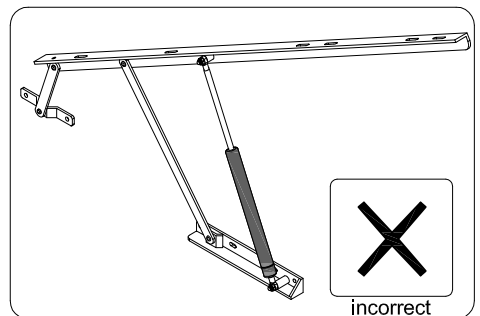
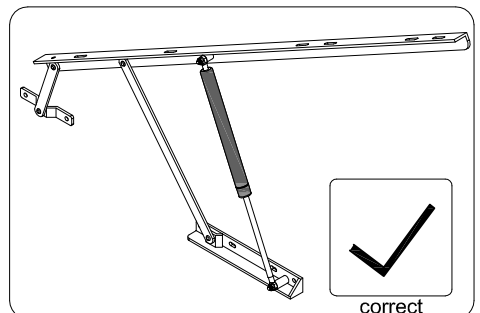
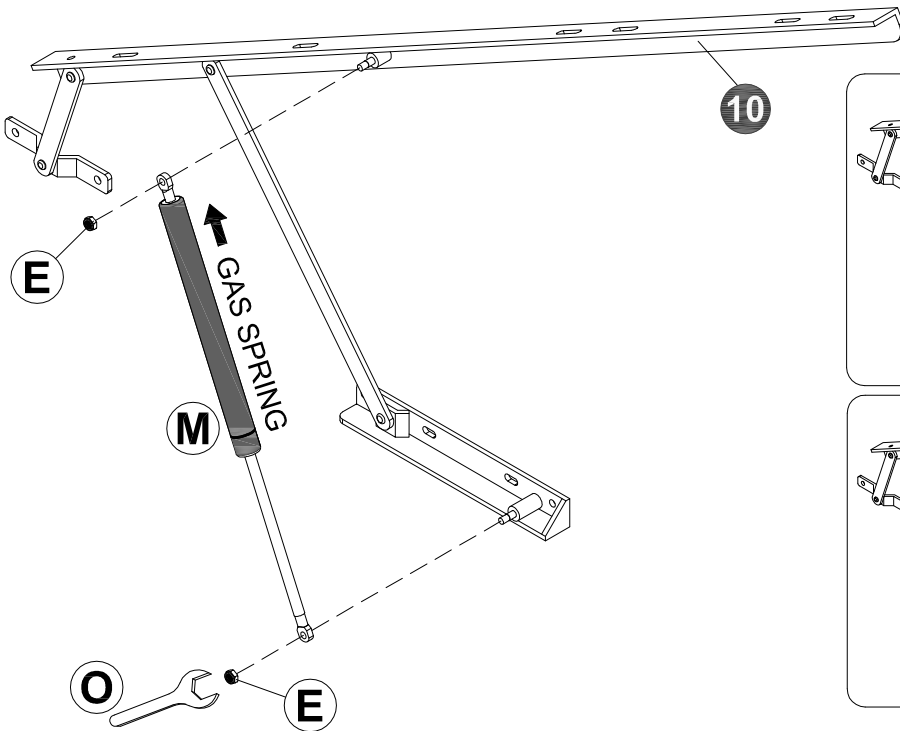
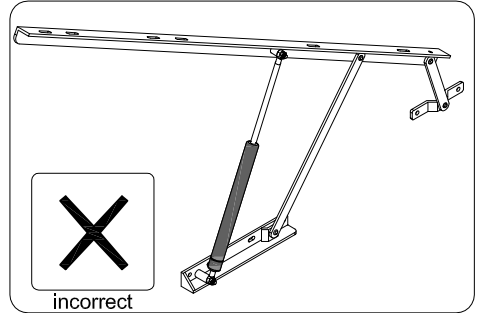
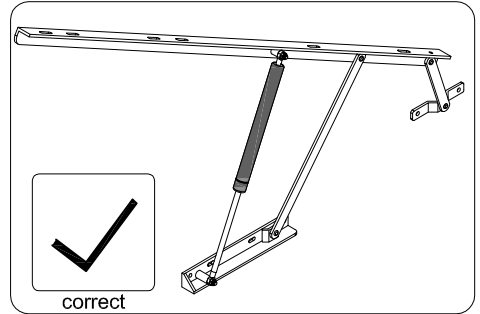
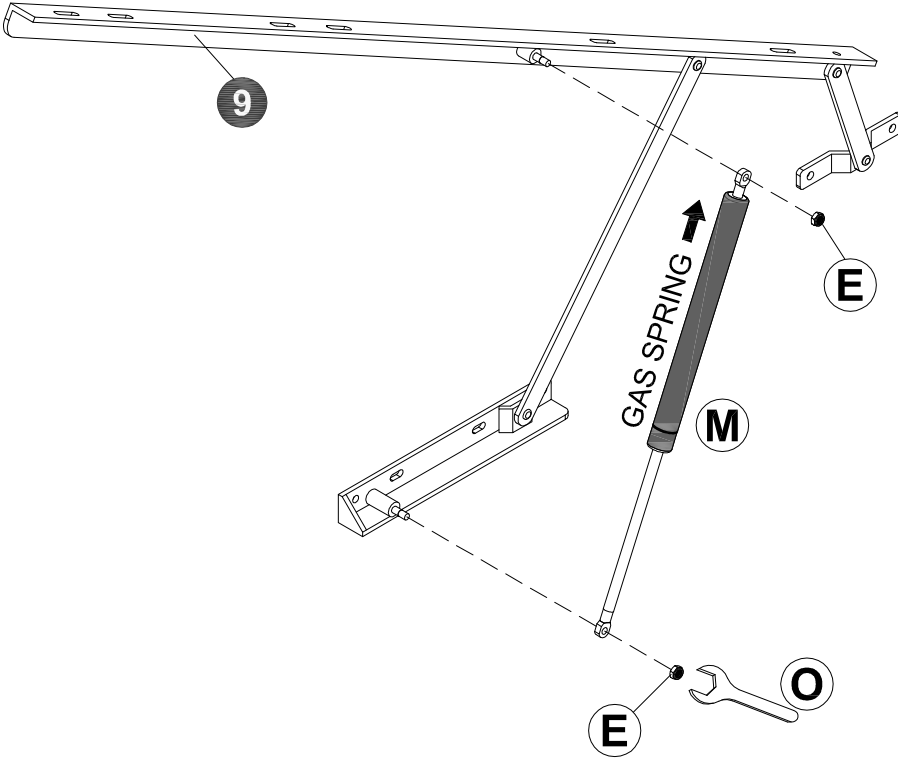
**E x 4**



**M x 2**

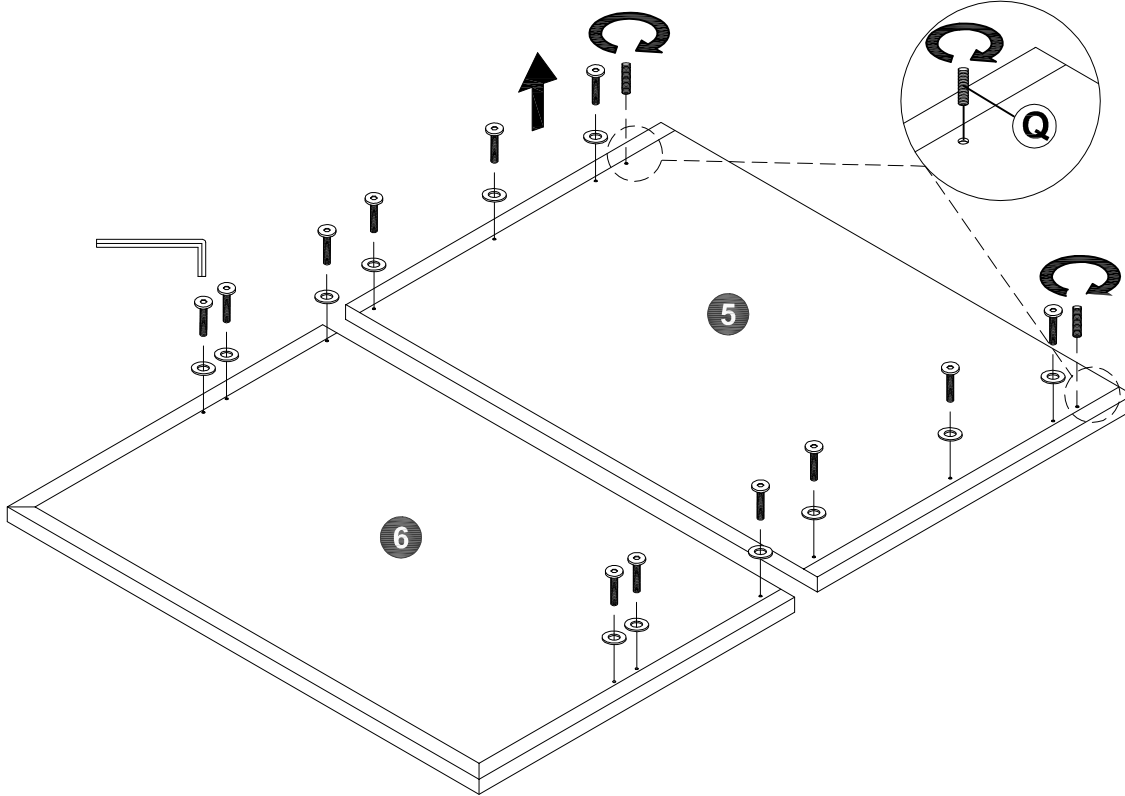
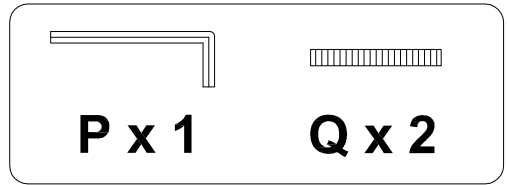


**O x 1**

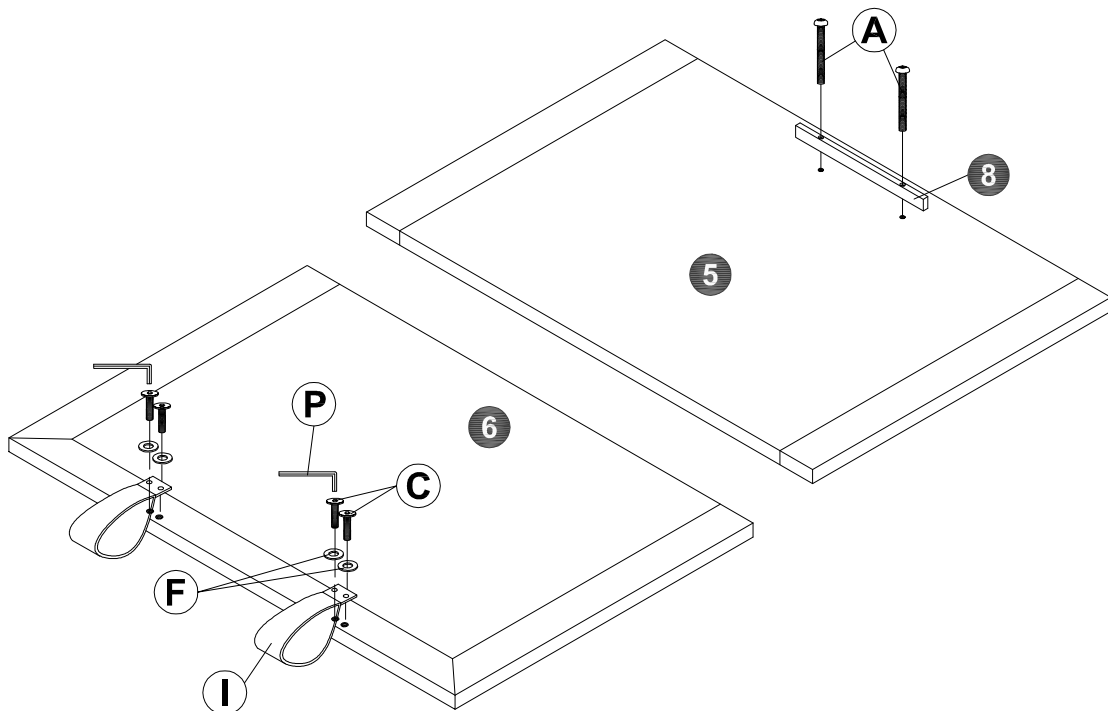
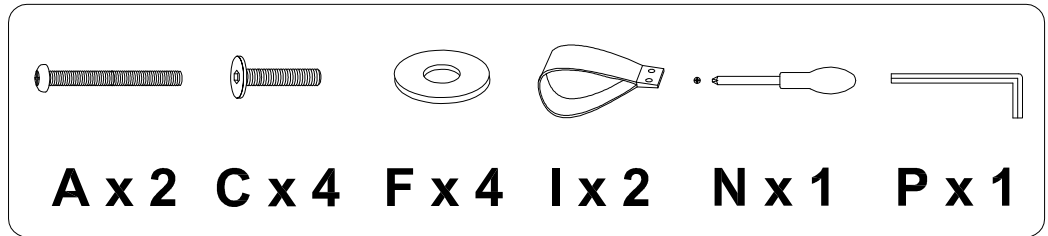


**Fully tighten all nuts after attaching the pistons.**

# STEP 10



# STEP 11

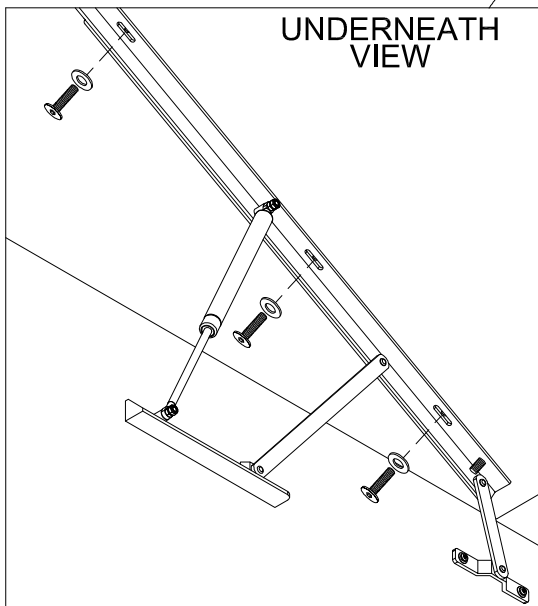
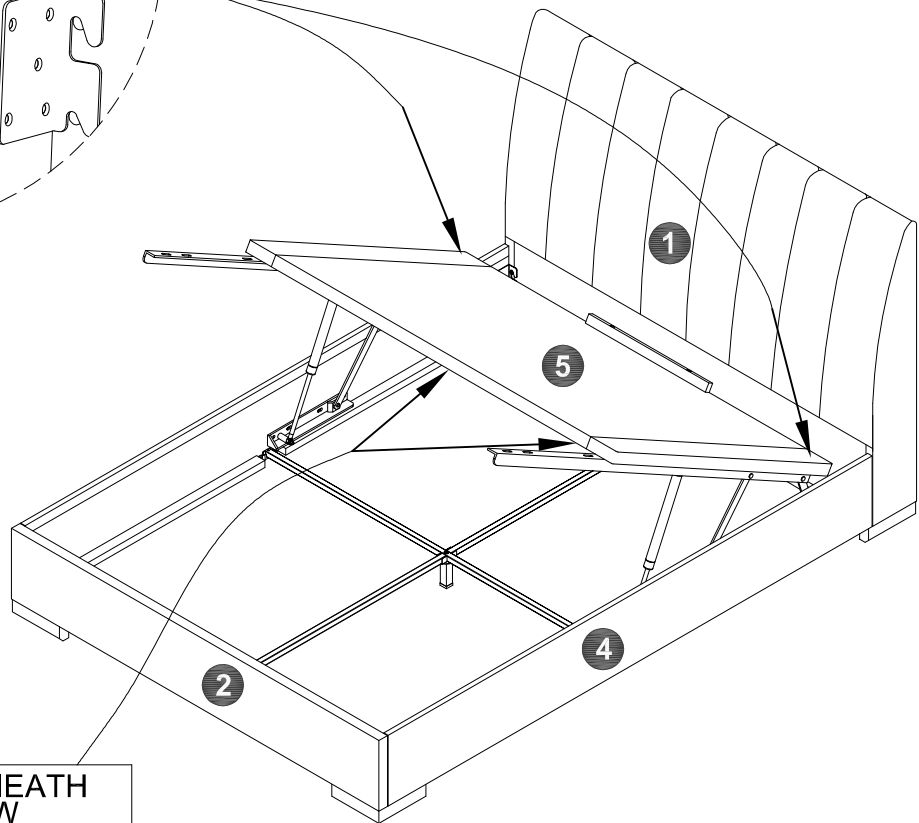
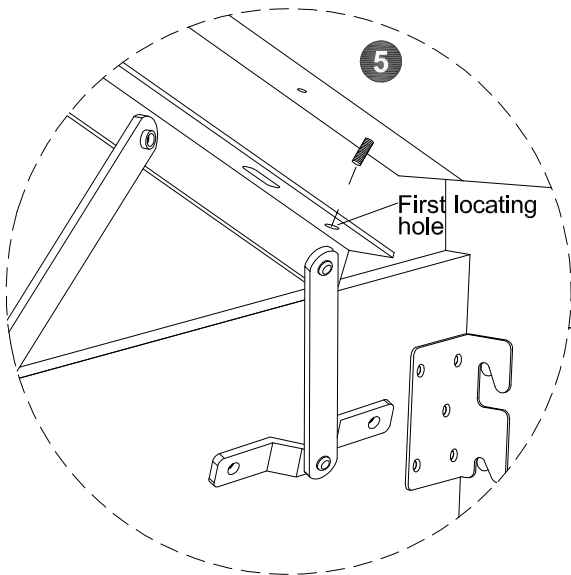


# STEP 12



**P x 1**

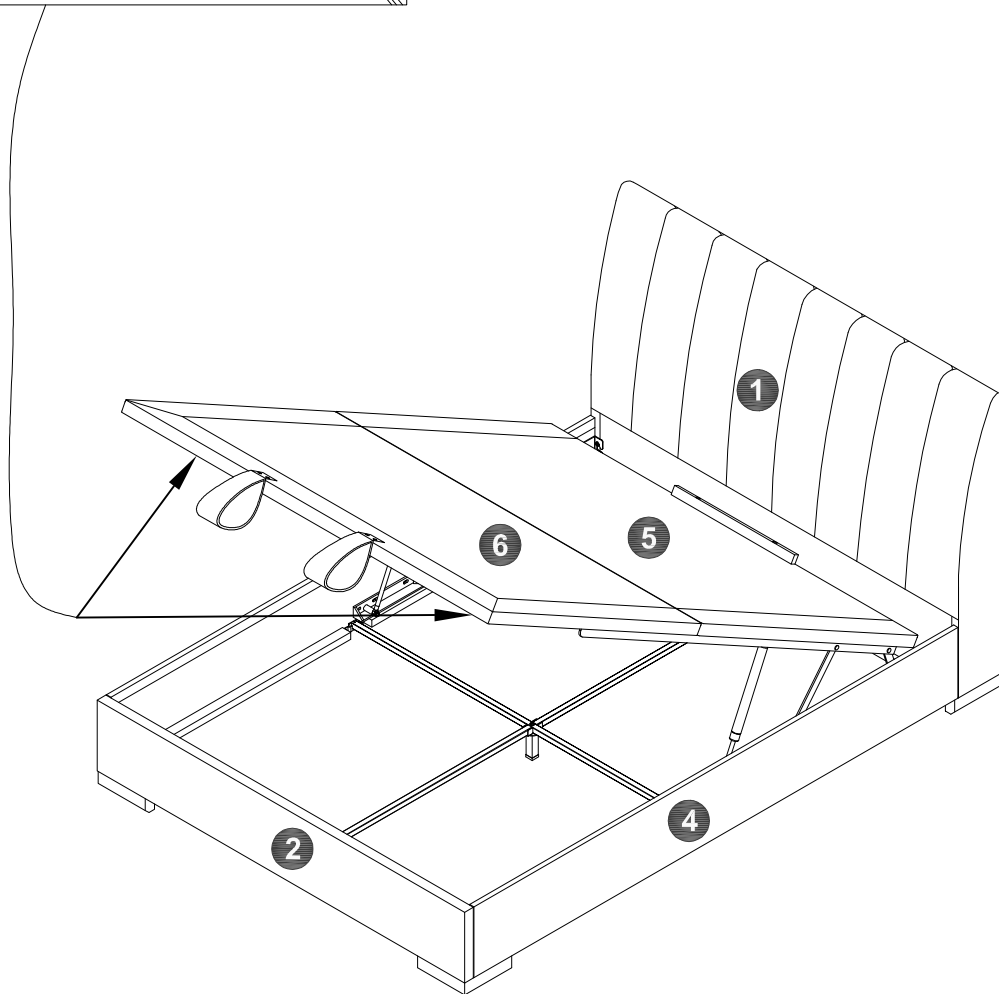
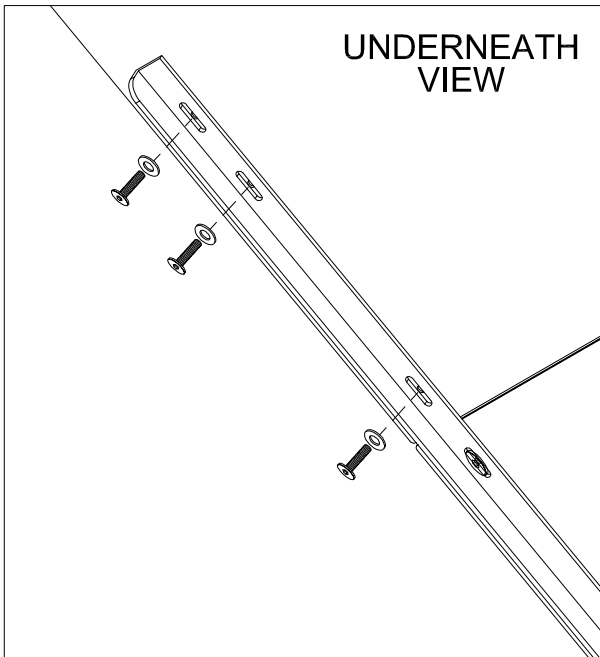
1. First put the base (5) on the top of mechanism (9) & (10) fix with the pre-installed stud bolt (Q) to the first locating hole to prevent the lift base from dropping down.
2. Use Allen head screw and flat washer to fully tighten all others screws as shown.



# STEP 13

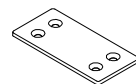


P x 1



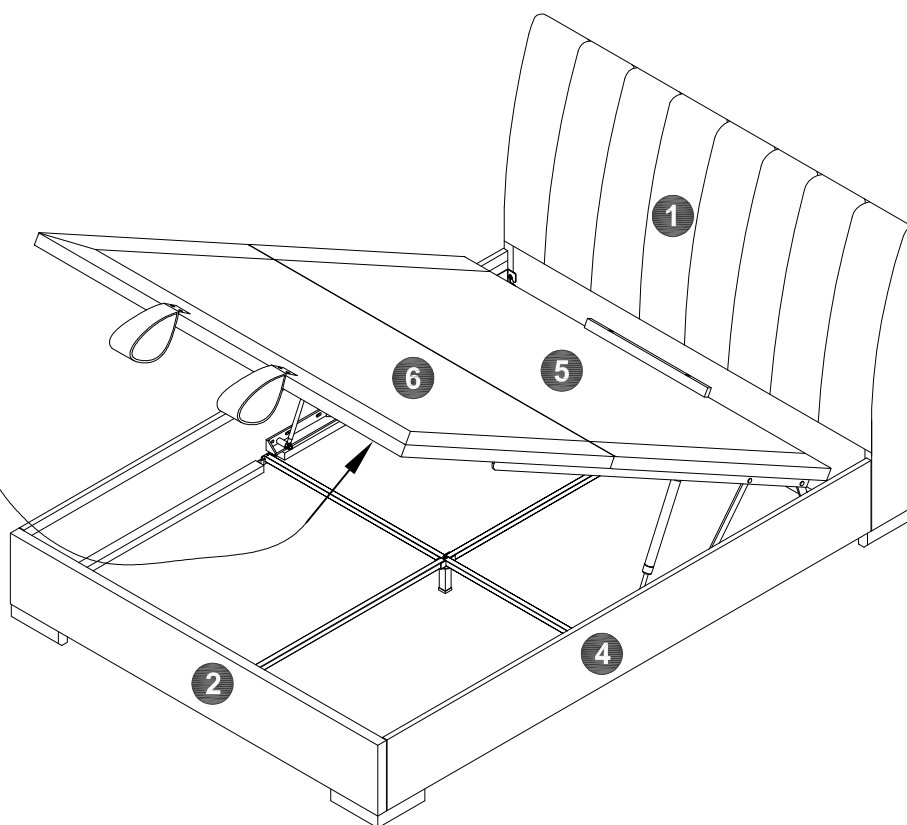
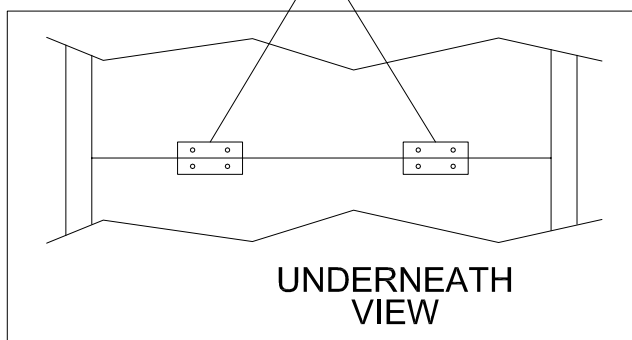
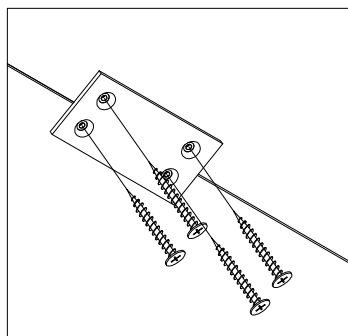


# STEP 14

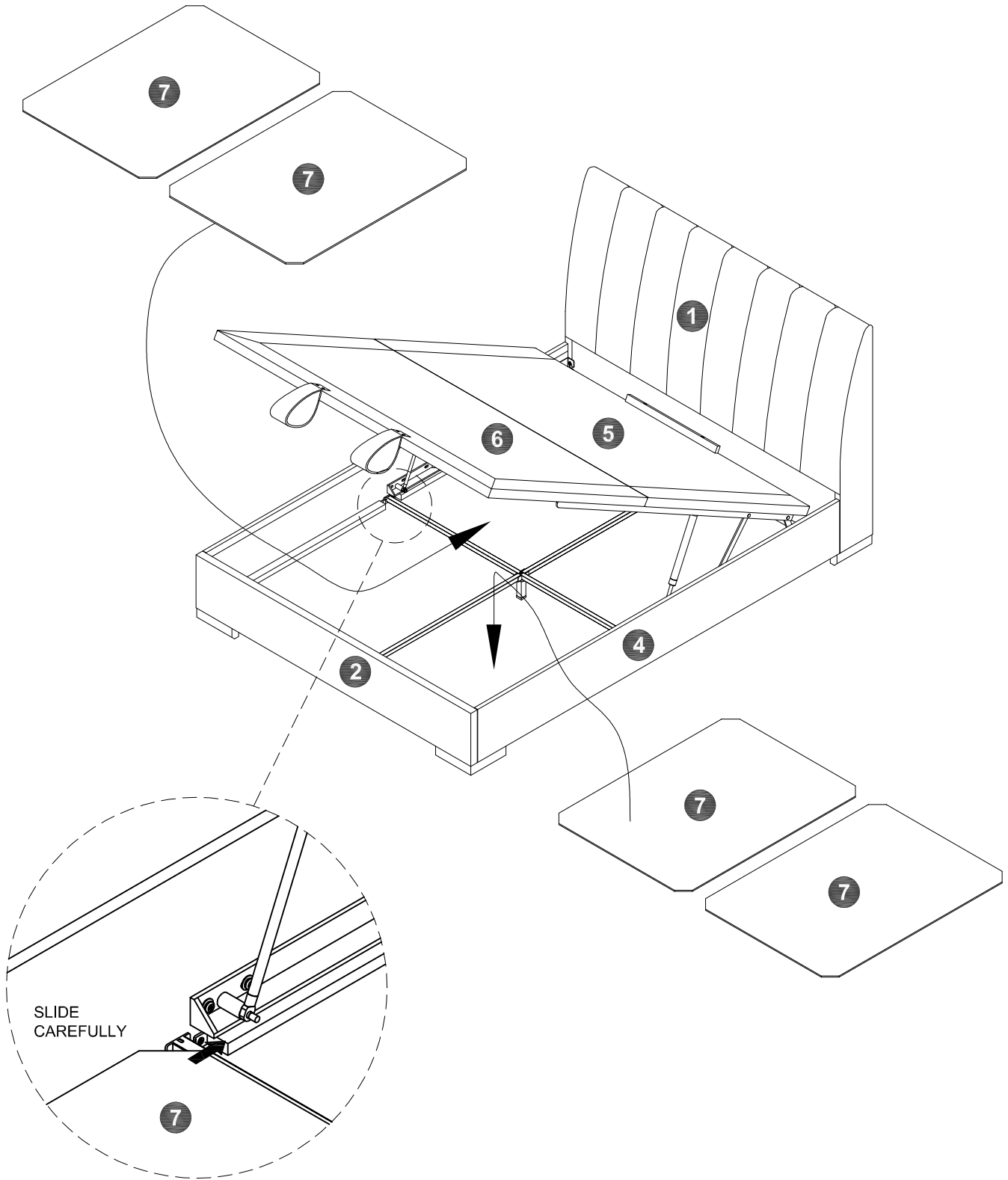


**D x 8**

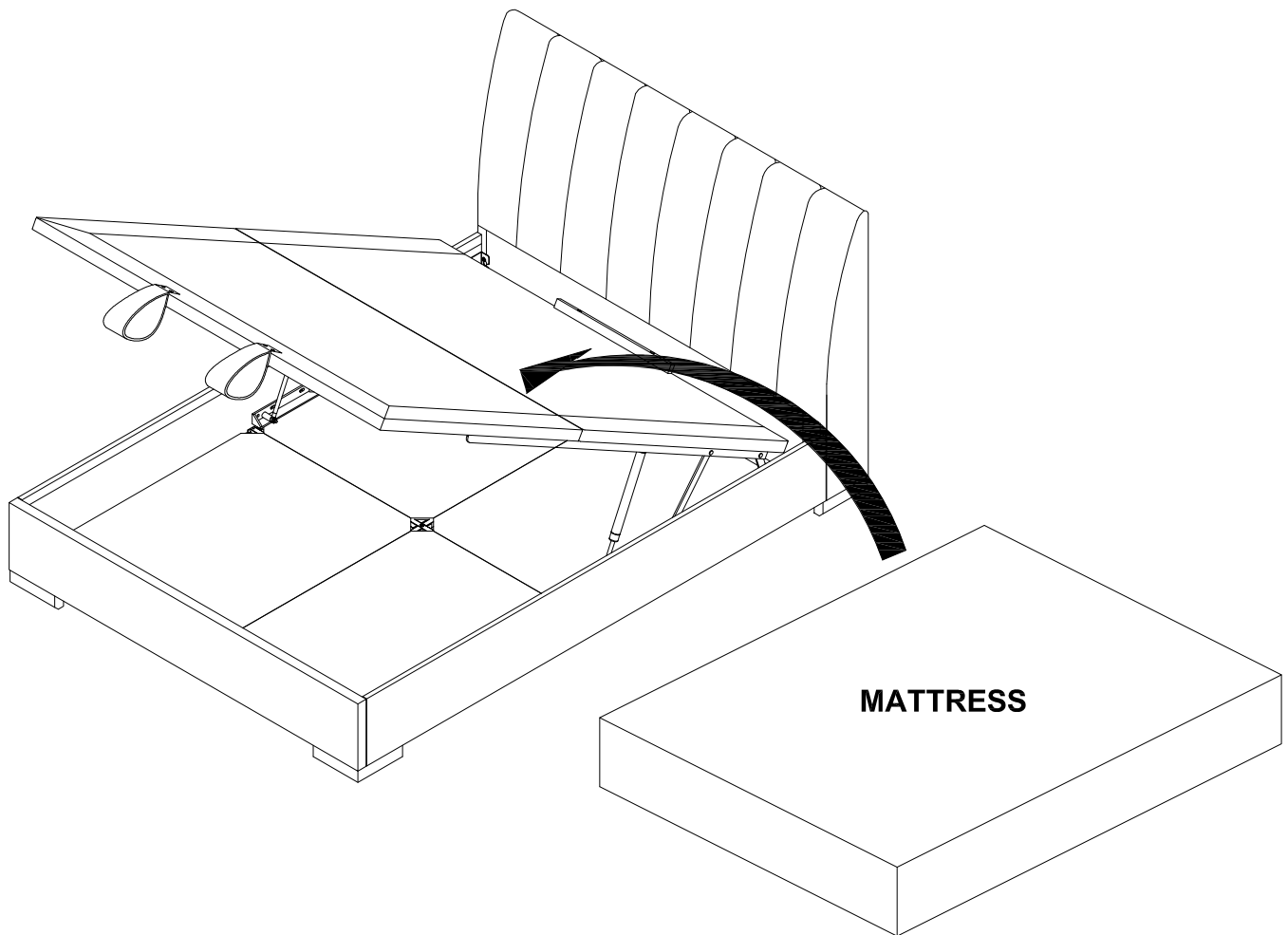
**H x 2**



# STEP 15



## STEP 16



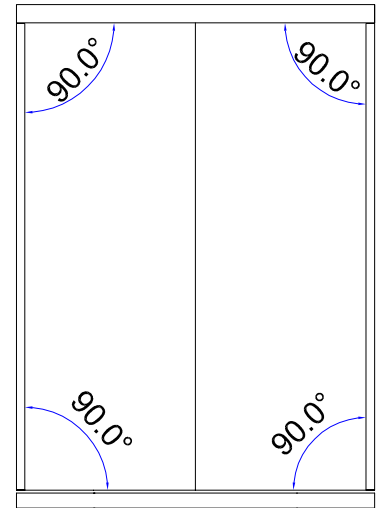
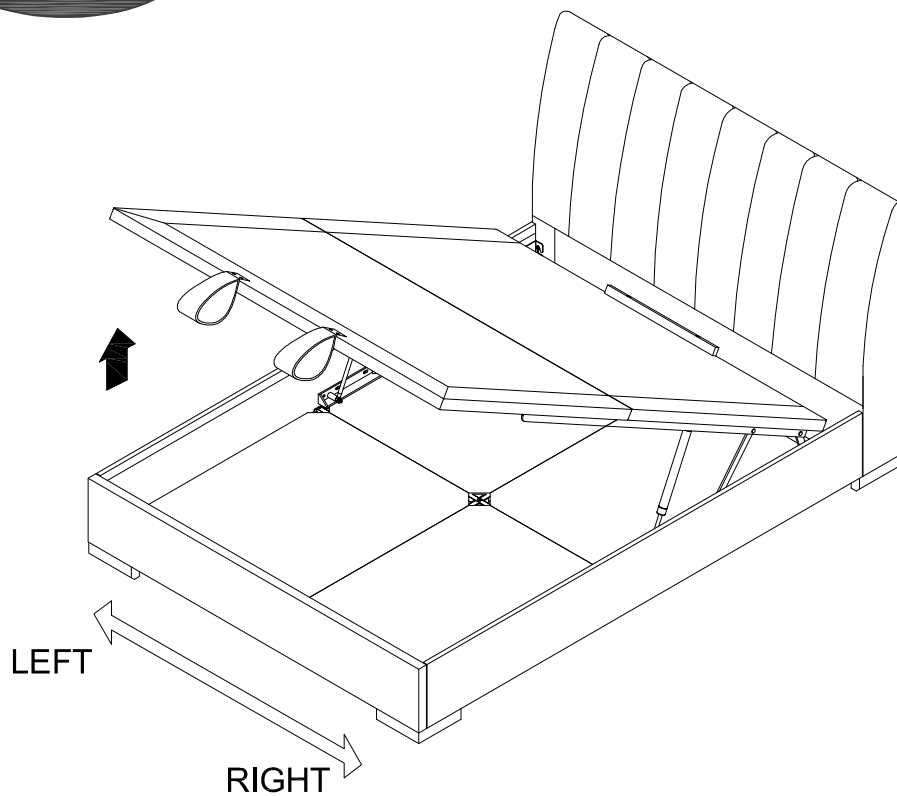
A. This Lift Mechanism provides assistance with the lift of the mattress fitted to the base - it does not lift the mattress for you. The system has been designed to effectively lift the base system fitted with a variety of mattress weights and combinations of depth. The combination of mattress weight and depth determines the degree of assistance provided by the mechanism.

B. Following installation of the mechanism lift / pull the base up and down a few times to free off the system. The gas cylinders fitted to the system may be stiff when first used or if the system has not been operated for a period of time. The mattress must be fitted to the base.

C. Use the strap handles to lift up the mattress base using two hands - Pull the mattress base down using two hands equally spaced from the centre of the mattress base. **DO NOT** pull down on one side of the base only as this is likely to damage the base system with potential failure of the mattress base system and lift mechanism. **Do not operate the lift up mechanism without the mattress fitted to the base.**

**CAUTION :** Do not allow children to operate the lift Mechanism.  
Do not allow children near the lift base when operating the Mechanism.  
Do not allow children in the area of the internal storage base.  
Keep hands clear of the mechanism when operating the base system.  
Do not stand inside the bed / on the internal storage base.  
Do not overload the internal storage base.

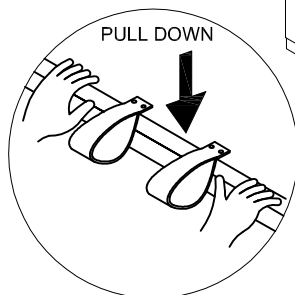
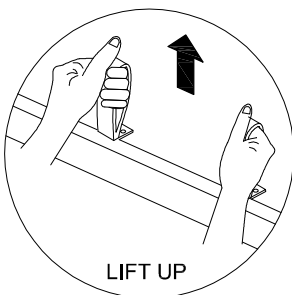
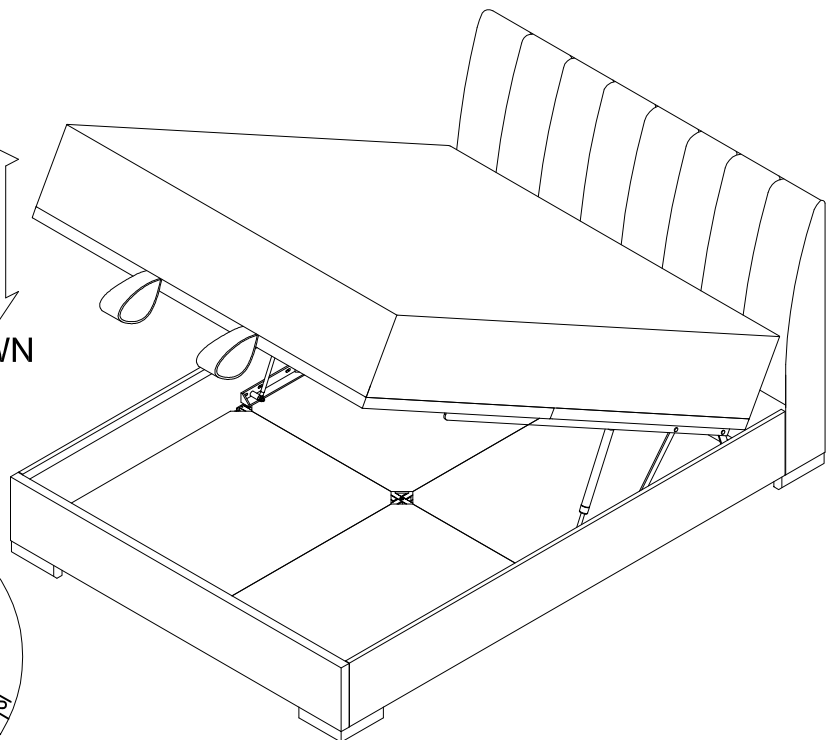
## STEP 17



~ Make sure the Bed Frame 4 side angles are at 90 degrees before you closing the lift base.

## STEP 18

( X20 TIMES )  
UP  
DOWN



~ The mattress must be fitted to the base. (Do not operate the lift up mechanism without the mattress fitted to the base.)

~ Lift Up and Down the Lift-Up Frame with Mattress at least 20 times before use.

## Important for Ottoman and other gas lift beds

**Please follow these final steps to ensure the best experience with your new bed**

- Please ensure the pistons are fitted to the bed frame.
- Please place the mattress on top of the bed frame.
- Standing at the foot of the frame (looking at the headboard) open the base and then press quite forcefully down on the mattress - please do not attempt to do this without the mattress being in place.
- Please do not pull on the strap handles.
- Please note as the pistons are full of gas - you will need to press heavily to release the compressed gas.
- Once done the pistons should start operating as normal.



Please dispose of all packaging safely.

## General Care & Maintenance

Wipe clean with a slightly damp cloth.  
Avoid the use of all household cleaners and abrasives.

Periodically check all screw & fixings to ensure they are secure.

When moving your product, carefully lift into place. Never drag or push the product across the floor as this will cause damage to the joints. If the product is used on hard flooring, such as wood or laminated floor, you must place some protection under the legs to stop the product from moving. If this is not adhered to, it could result in failure to the product that will invalidate the warranty.

For more information on cleaning and product care visit:  
<https://www.happybeds.co.uk/help-and-advice>

## Notes

In the unlikely event that you have problems putting this product together or have damaged or missing parts, please contact us by visiting:  
<https://www.happybeds.co.uk/customer-service>