

Assembly Instructions

Important before assembly:

Read these instructions carefully before assembling or using the product.

Please check the contents of the boxes before attempting to assemble this product. The instructions will have a checklist of parts and fittings.

Assemble the product as close to its intended final location/room as possible.

Health & Safety:

This product or some parts of this product will be heavy. Please use an assistant when lifting.

Please keep small parts out of reach of children.

Always use on a level, even surface.

DO NOT jump on the product or any of its parts.

DO NOT use this product if any parts are missing, damaged or worn.

DO NOT use this product unless all fixings are secured.

Further instructions are on the following pages.

Please keep these instructions for future reference.



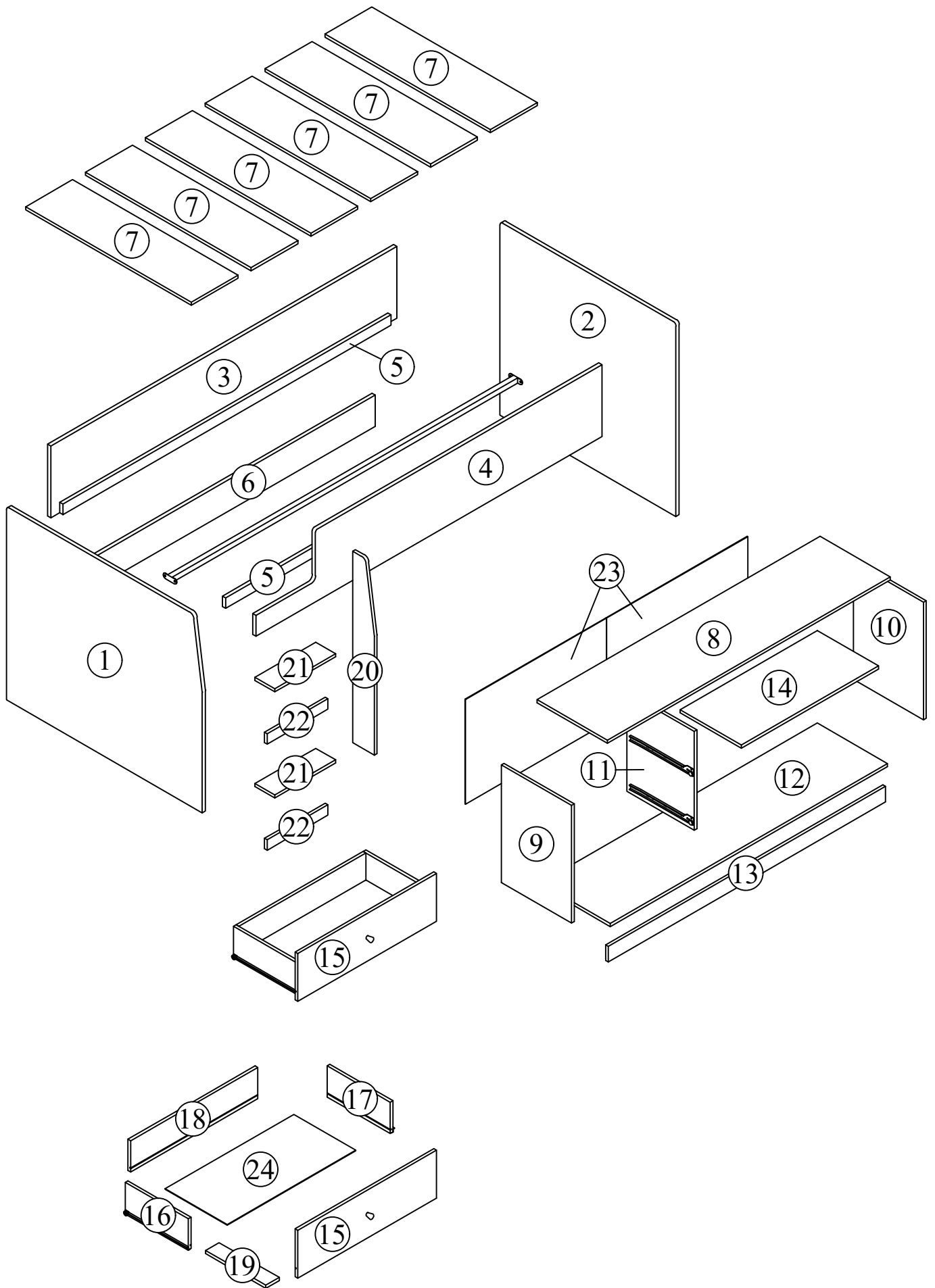
This product or some parts of this product will be heavy. Please use an assistant when lifting.



Never drag or push the pieces across a hard or stone floor as this will cause damage to the joints. Use a carpet or a rug for extra care.



If you have problems assembling or have damaged or missing pieces, please contact our customer services (details at the back of these instructions)



PART LIST

Carton 1 of 3:

Part	Description	Qty
7	Base Panel	2
8	Cabinet Top Panel	1
9	Cabinet Left Panel	1
10	Cabinet Right Panel	1
11	Cabinet Center Panel	1
12	Cabinet Bottom Panel	1
13	Cabinet Plinth Panel	1
14	Cabinet Movable Panel	1
15	Drawer Front Panel	2
16	Drawer Left Panel	2
17	Drawer Right Panel	2
18	Drawer Back Panel	2
19	Drawer Support Panel	2
21	Ladder Step Panel	2
Hardware List		

Carton 2 of 3:

Part	Description	Qty
3	Back Panel	1
4	Front Panel	1
5	Support Panel	2
6	Bottom Back Panel	1

Carton 3 of 3:


Part	Description	Qty
1	Left Panel	1
2	Right Panel	1
7	Base Panel	4
20	Ladder Right Panel	1
22	Ladder Bottom Support Panel	2
23	Cabinet Back Panel	2
24	Drawer Bottom Panel	2

** You will need a screwdriver and a small mallet (NOT provided)


HARDWARE LIST

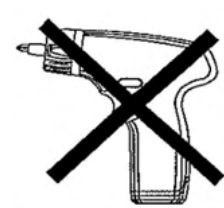
Vendor: S000398

Carton 1 of 3:

Part	Description	Qty
A	CAM NUT 15mm 	30
B	CAM BOLT 	30
C	WOOD DOWEL M6 x 25mm 	45
D	STEEL NUT M6 	13
E	CSK SCREW M3.5 x 12mm 	36
F	CSK SCREW M4 x 30mm 	14
G	CSK SCREW M4 x 38mm 	10
H	JCN M6 	10
I	JCBC SCREW M6 x 12mm 	4
J	JCBC SCREW M6 x 25mm 	3
K	JCBC SCREW M6 x 30mm 	7
L	JCBC SCREW M6 x 50mm 	13
M	PVC NAIL 5/8" 	15
N	METAL RUNNER TRUCK 14" 	2 set
O	METAL RUNNER 14" 	2 set
Q	NAIL 	18
R	PVC L BRACKET 	3
S	METAL SHELF SUPPORT 	4
T	KNOB HANDLE 2613 	2
U	STICKER 20mm 	18
V	ALLEN KEY 	2
W	CSK SCREW M4 x 45mm 	2





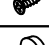

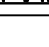
Carton 2 of 3:

Part	Description	Qty
P	METAL SUPPORT 1920mm 	1

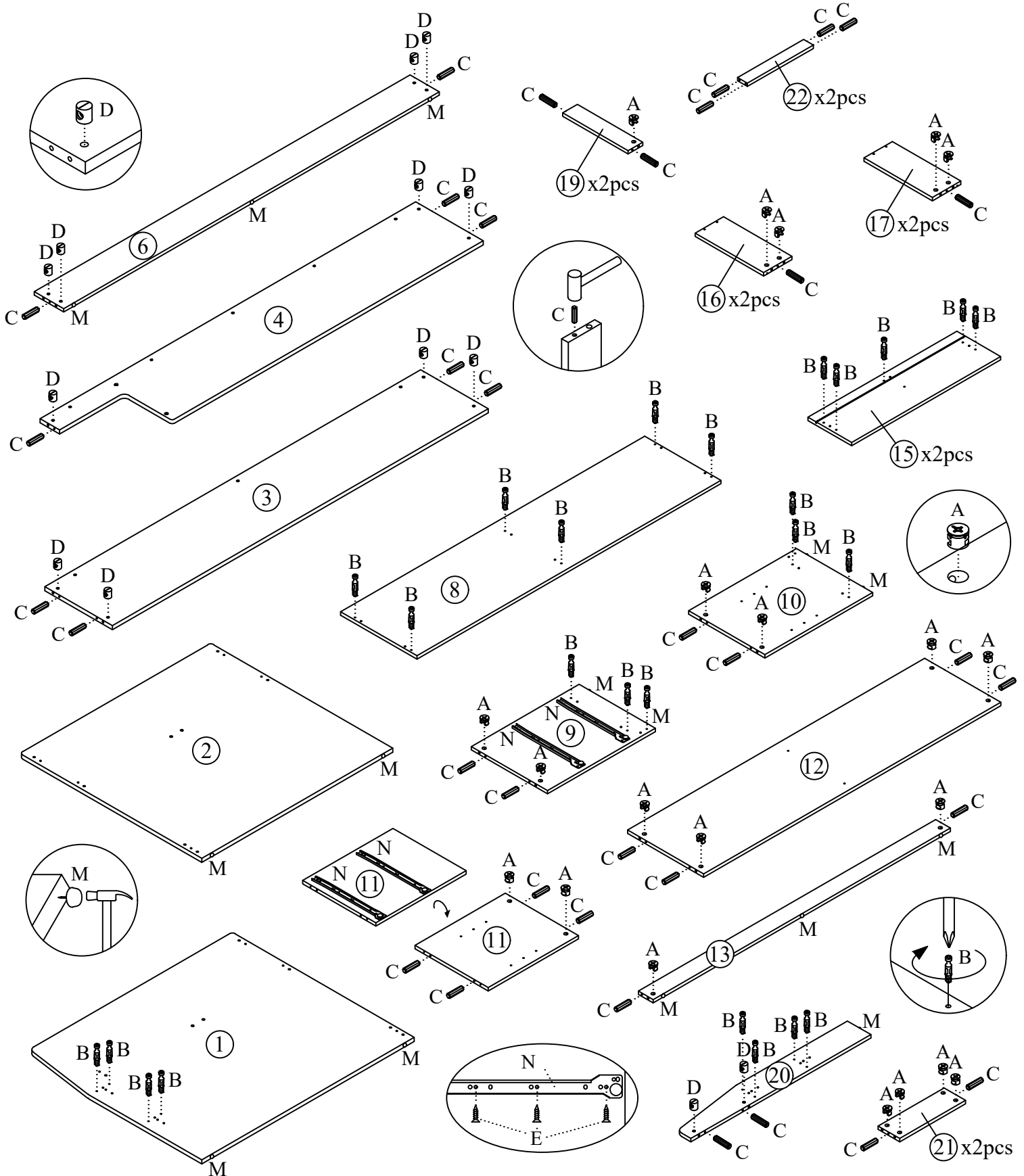


** WARNING: THE USE OF POWER TOOLS TO ASSEMBLE THIS PRODUCT WILL INVALIDATE ANY CLAIM AND MAY DAMAGE THIS PRODUCT MAKING IT UNSAFE.



1

A		30
B		30
C		45
D		13
E		12
M		15
N		2

Insert hardware part (A) and part (B) using a screwdriver (not provided). Insert hardware part (C) using a small mallet (not provided). Insert hardware part (D) using a screwdriver (not provided). Insert hardware part (M) using a small mallet (not provided). Attach hardware part (N) with screw (E) using screwdriver (not provided). DO NOT use any power tools as this may damage the frame and will invalidate any claim.

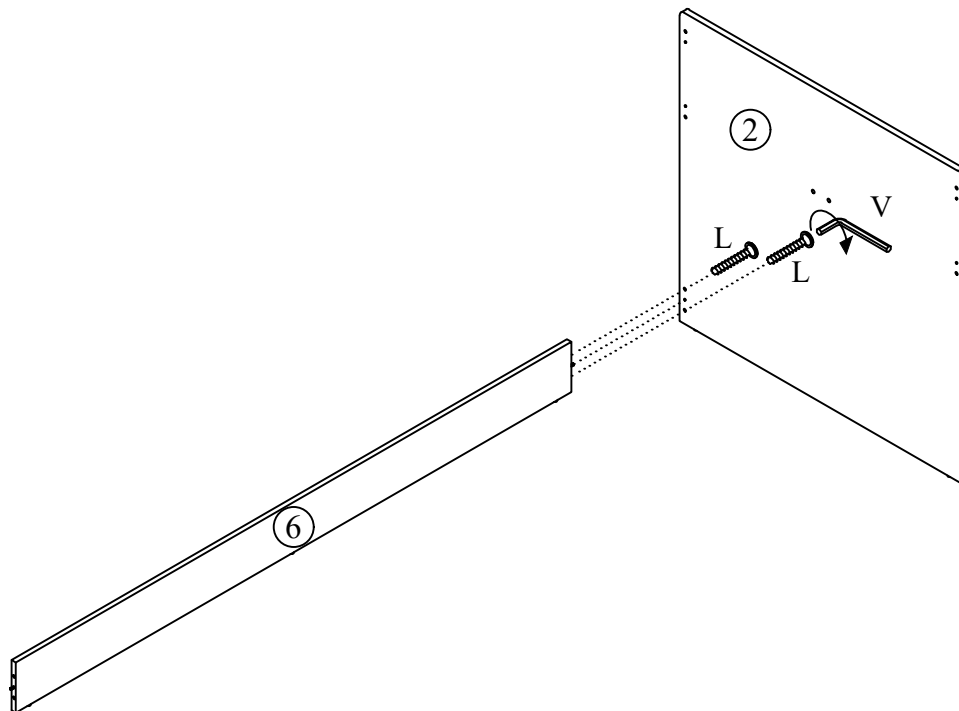


2



L		2
V		1

Attach the bottom back panel (6) to the right panel (2) with screw (L) by using allen key (V) and tighten clockwise.

DO NOT use any power tools as this may damage the frame and will invalidate any claim.

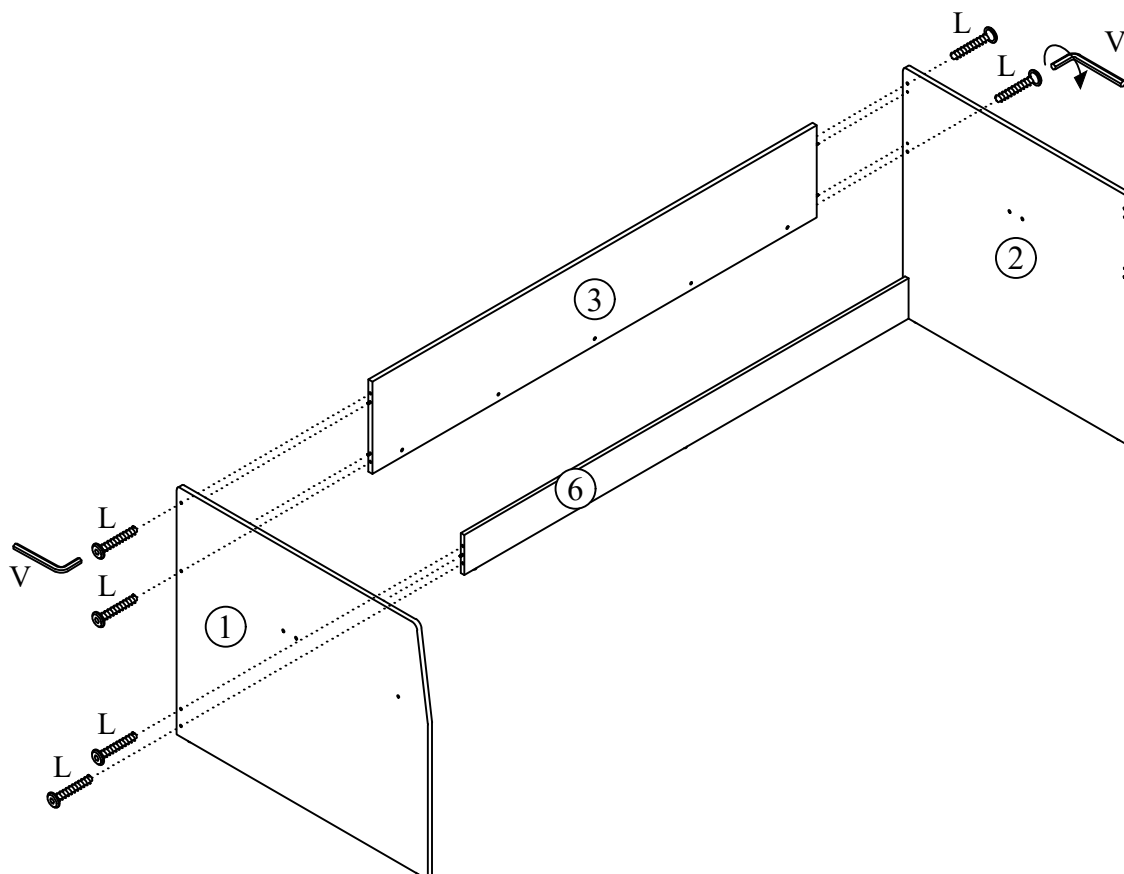


3

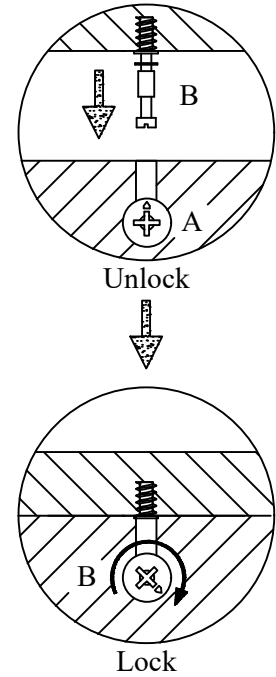
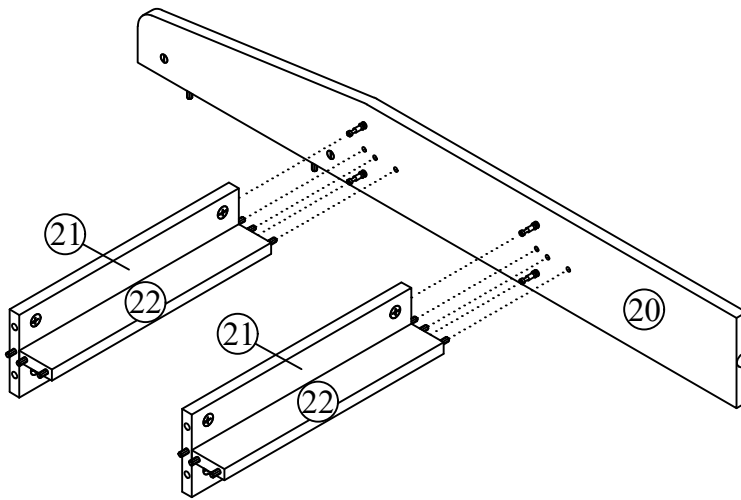
L		6
V		1

Attach the back panel (3) and bottom back panel (6) to the left panel (1) and right panel (2) with screw (L) by using allen key (V) and tighten clockwise.

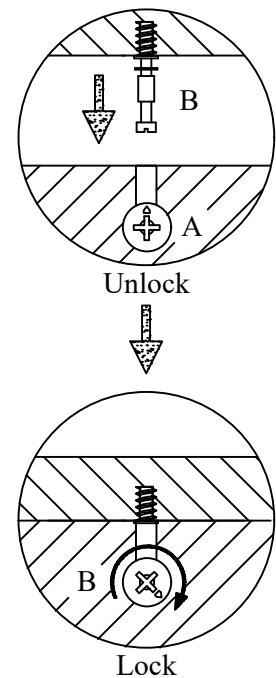
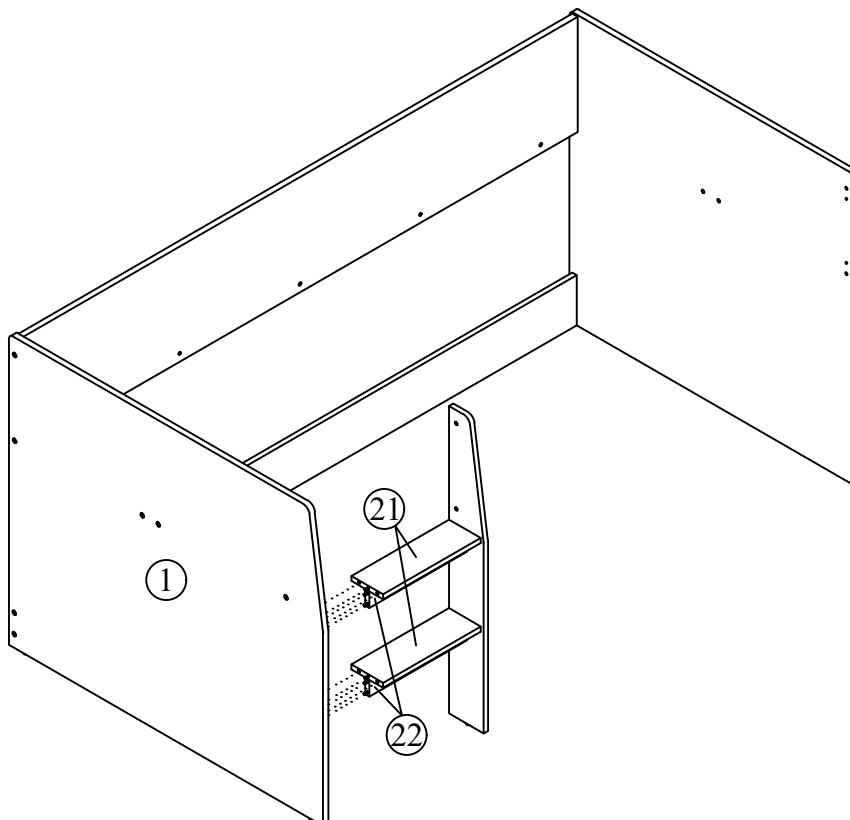
DO NOT use any power tools as this may damage the frame and will invalidate any claim.





- 4** Fix the ladder step panel (21) and ladder bottom support panel (22) to the ladder right panel (20) by using a screwdriver (not provided).
DO NOT use any power tools as this may damage the frame and will invalidate any claim.



- 5** Fix the ladder step panel (21) and ladder bottom support panel (22) to the left panel (1) by using a screwdriver (not provided).
DO NOT use any power tools as this may damage the frame and will invalidate any claim.

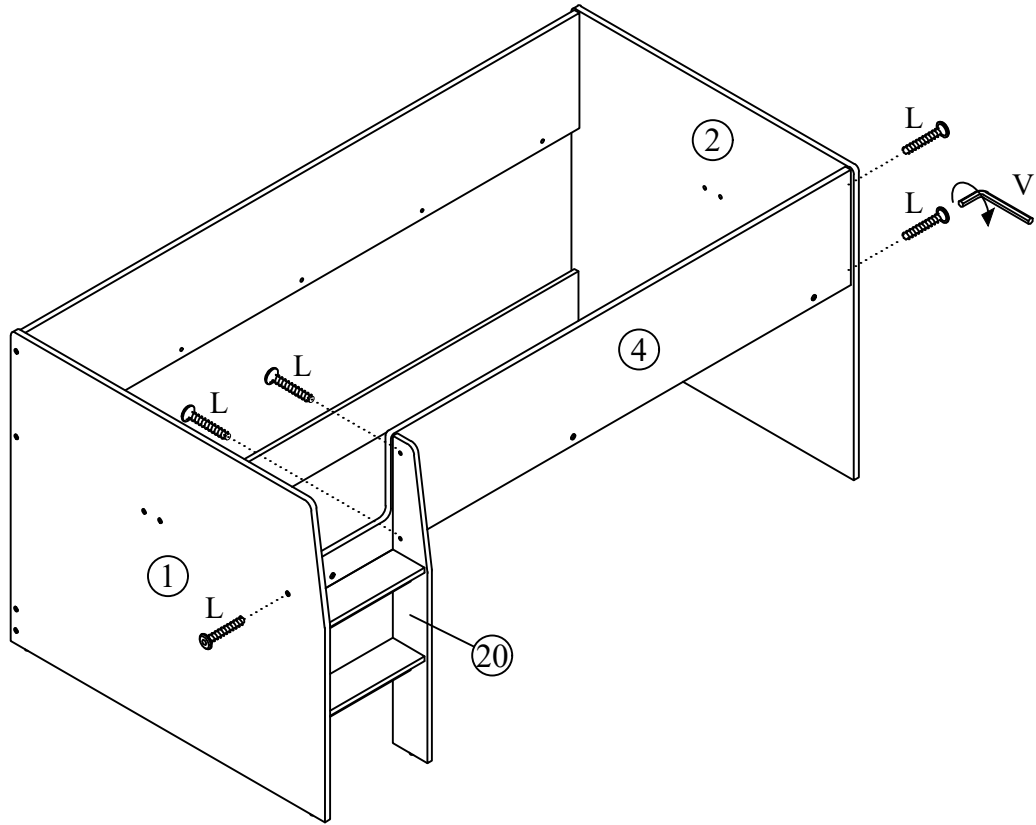


6




L		5
V		1

Attach the front panel (4) to the left panel (1) and right panel (2) and ladder right panel (20) with screw (L) by using allen key (V) and tighten clockwise.

DO NOT use any power tools as this may damage the frame and will invalidate any claim.

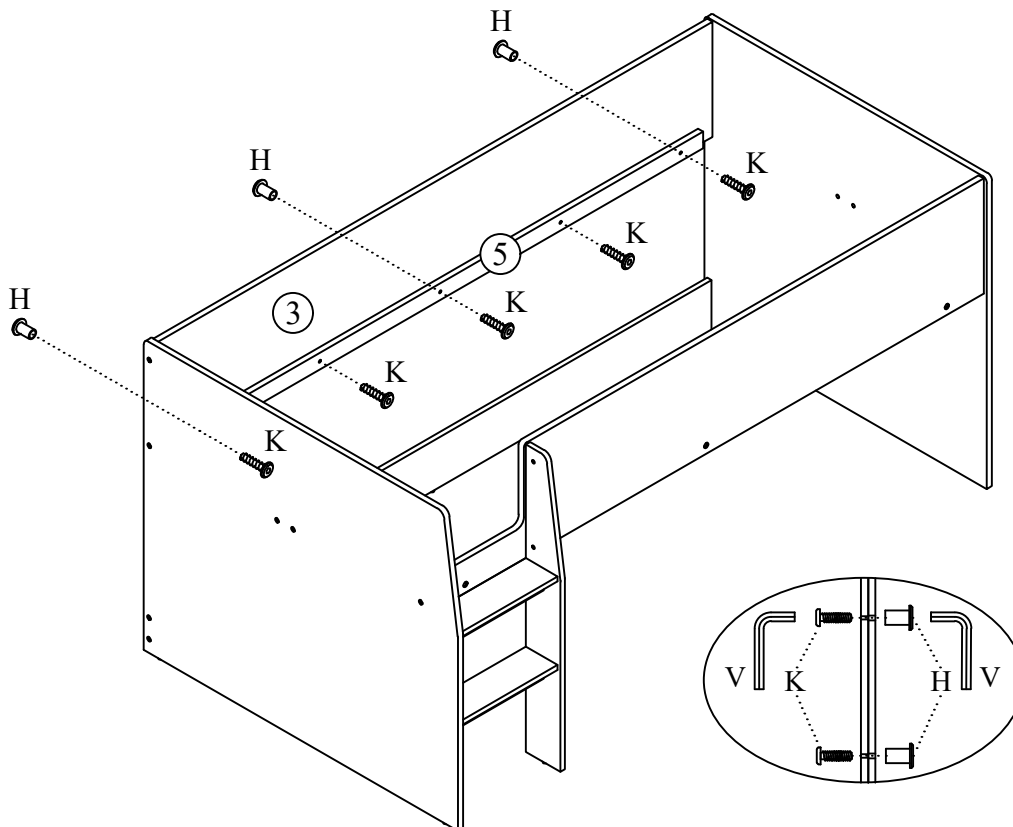


7

H		3
K		5
V		2

Insert hardware part (H) to back panel (3) by using allen key (V). Attach support panel (5) to back panel (3) with screw (K) by using allen key (V) and tighten clockwise.

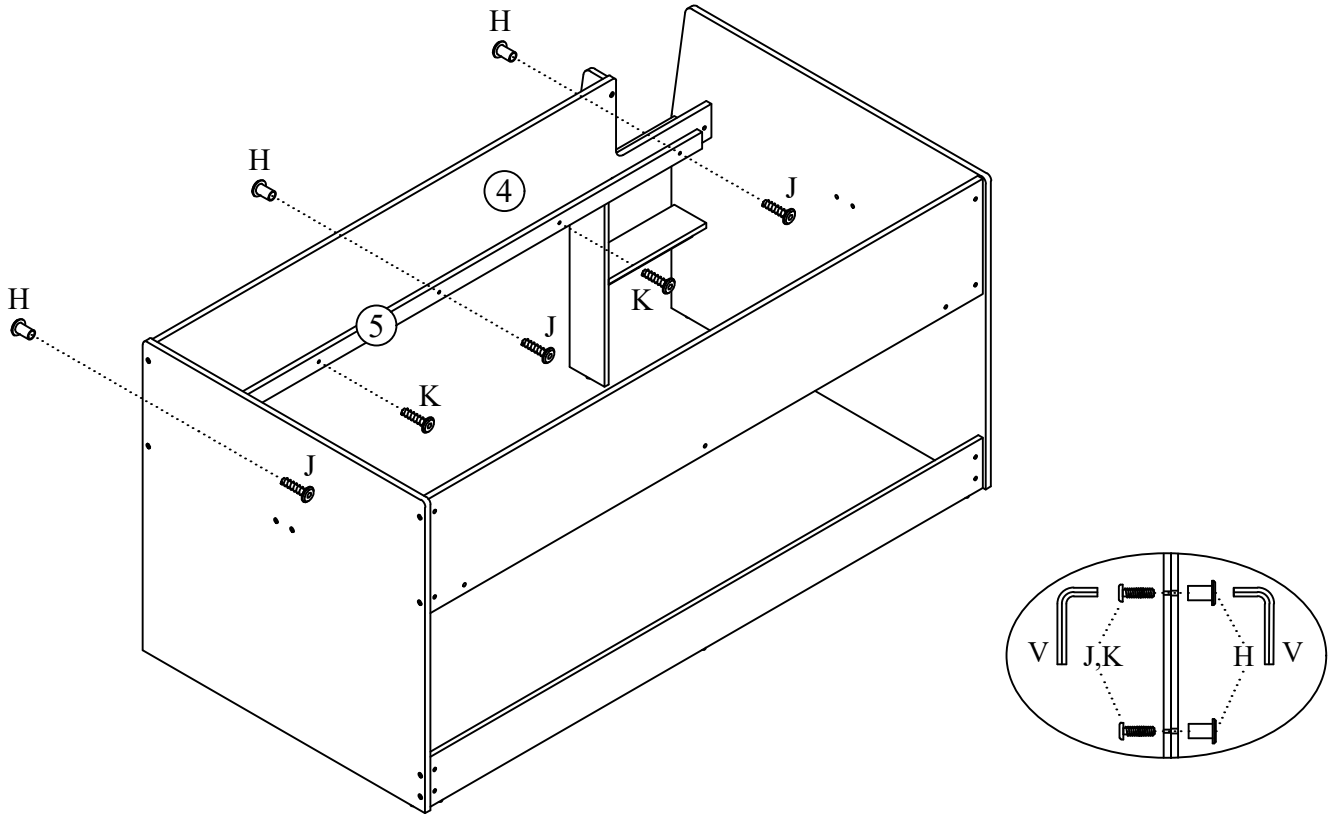
DO NOT use any power tools as this may damage the frame and will invalidate any claim.



8

H		3
J		3
K		2
V		2

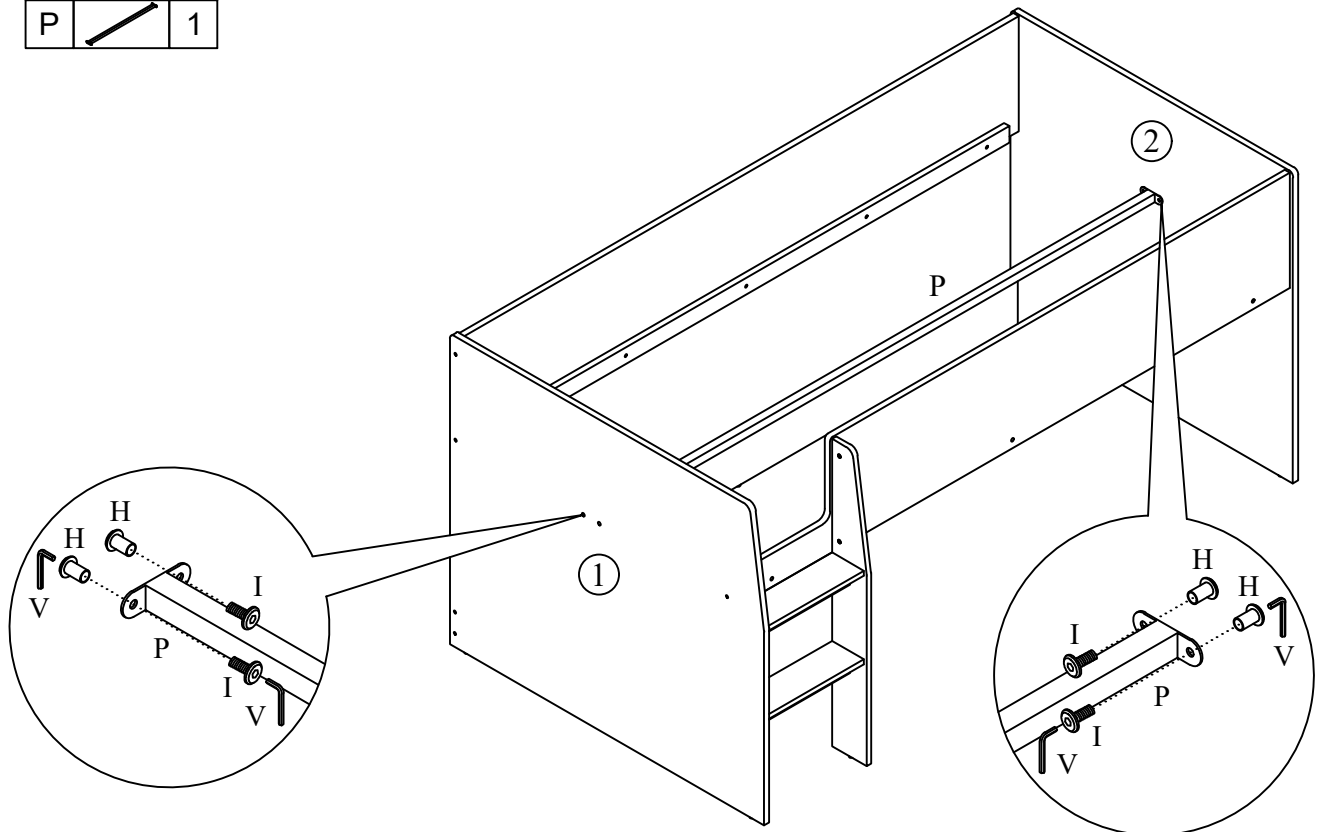
Insert hardware part (H) to front panel (4) by using allen key (V). Attach support panel (5) to front panel (4) with screw (J) and (K) by using allen key (V) and tighten clockwise. DO NOT use any power tools as this may damage the frame and will invalidate any claim.




9

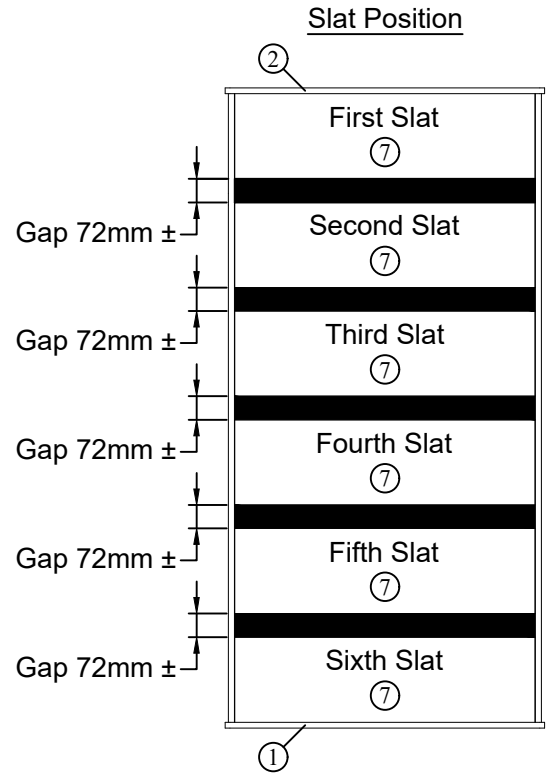
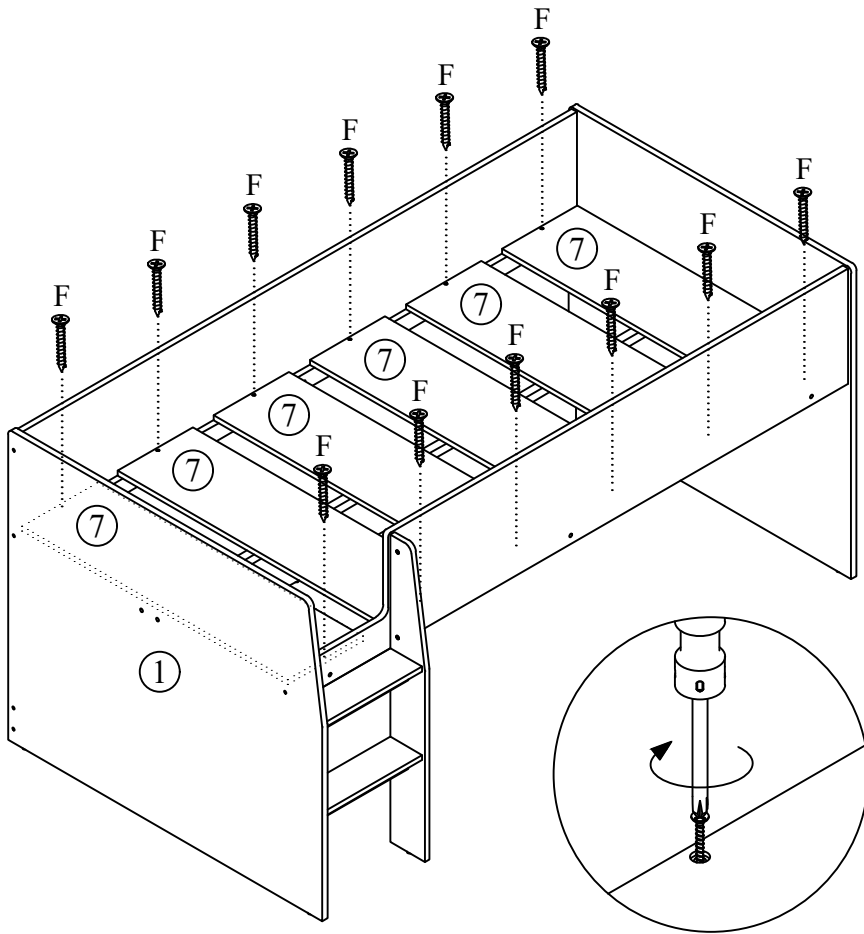
H		4
I		4
V		2
P		1

Insert hardware part (H) to left panel (1) and right panel (2) and fix hardware (P) with screw (I) by using allen key (V) and tighten clockwise. DO NOT use any power tools as this may damage the frame and will invalidate any claim.



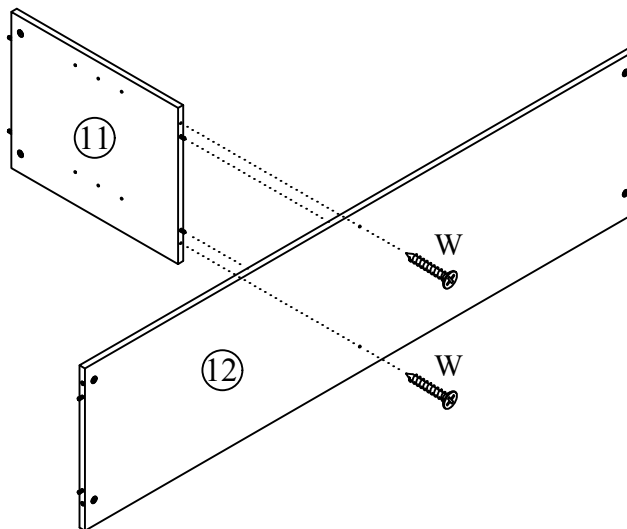
10 F  12

Attach base panel (7) with screw (F) by using a screwdriver (not provided).
DO NOT use any power tools as this may damage the frame and will invalidate any claim.

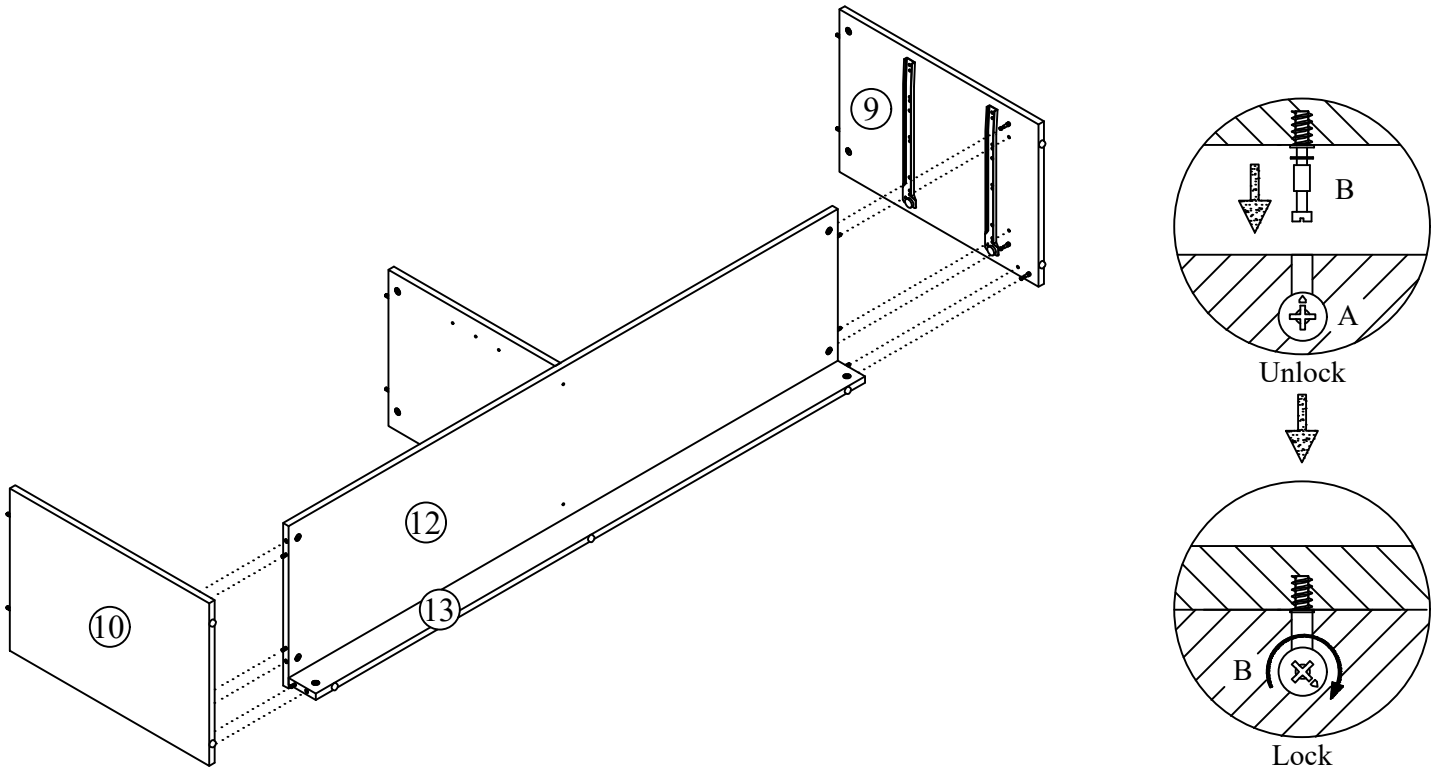


11 W  2

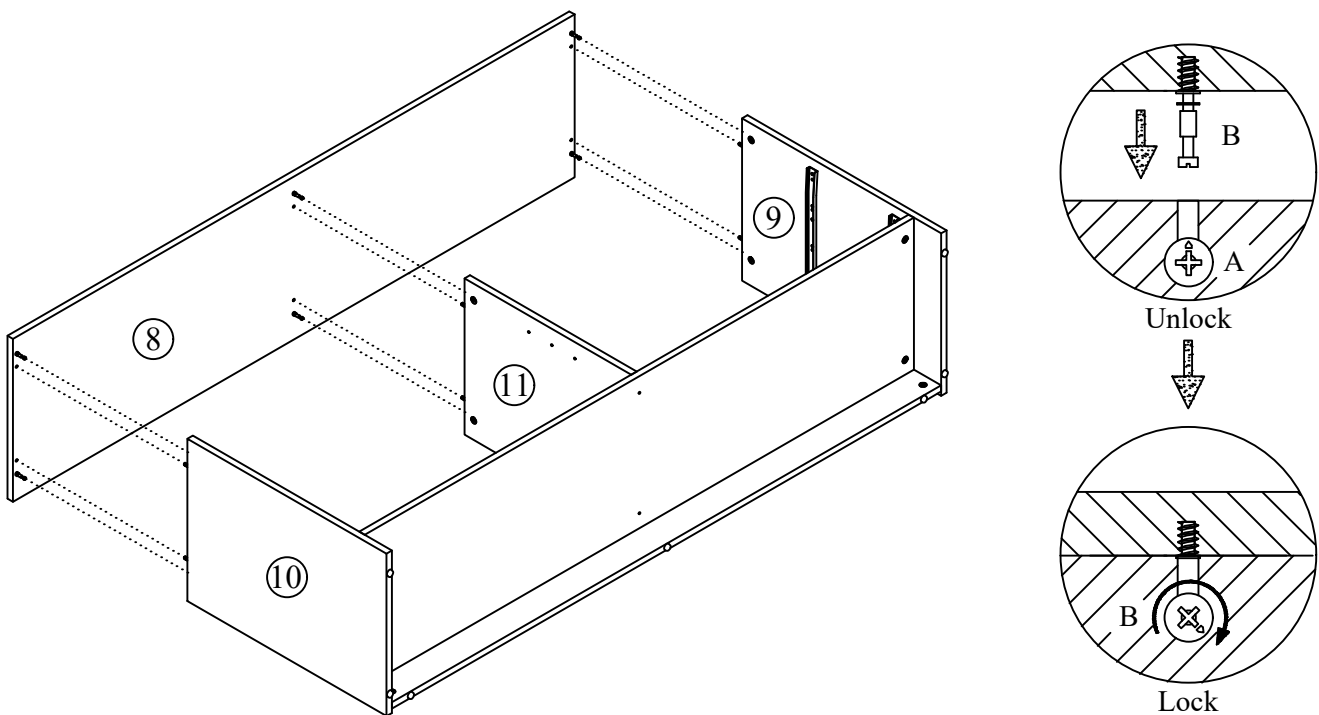
Attach the cabinet center panel (11) to the cabinet bottom panel (12) with screw (W) by screwdriver (not provided).
DO NOT use any power tools as this may damage the frame and will invalidate any claim.



- 12** Fix the cabinet left panel (9) and cabinet right panel (10) to the cabinet bottom panel (12) and cabinet plinth panel (13) by using a screwdriver (not provided).
DO NOT use any power tools as this may damage the frame and will invalidate any claim.



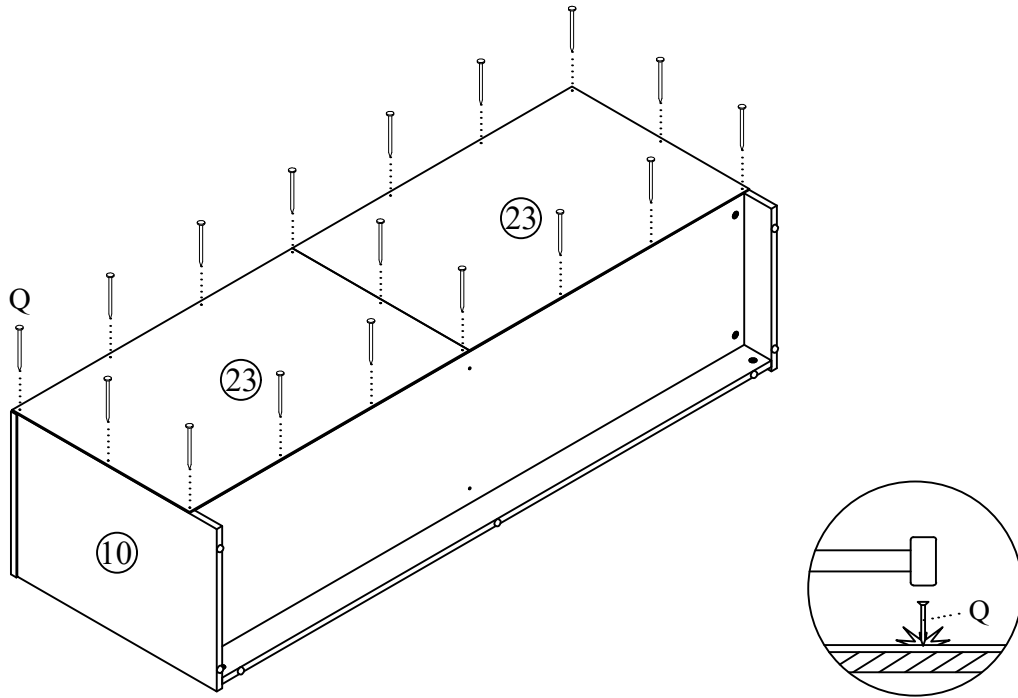
- 13** Fix the cabinet top panel (8) to the cabinet left panel (9) and cabinet right panel (10) and cabinet center panel (11) by using a screwdriver (not provided).
DO NOT use any power tools as this may damage the frame and will invalidate any claim.



14

Q		18
---	--	----

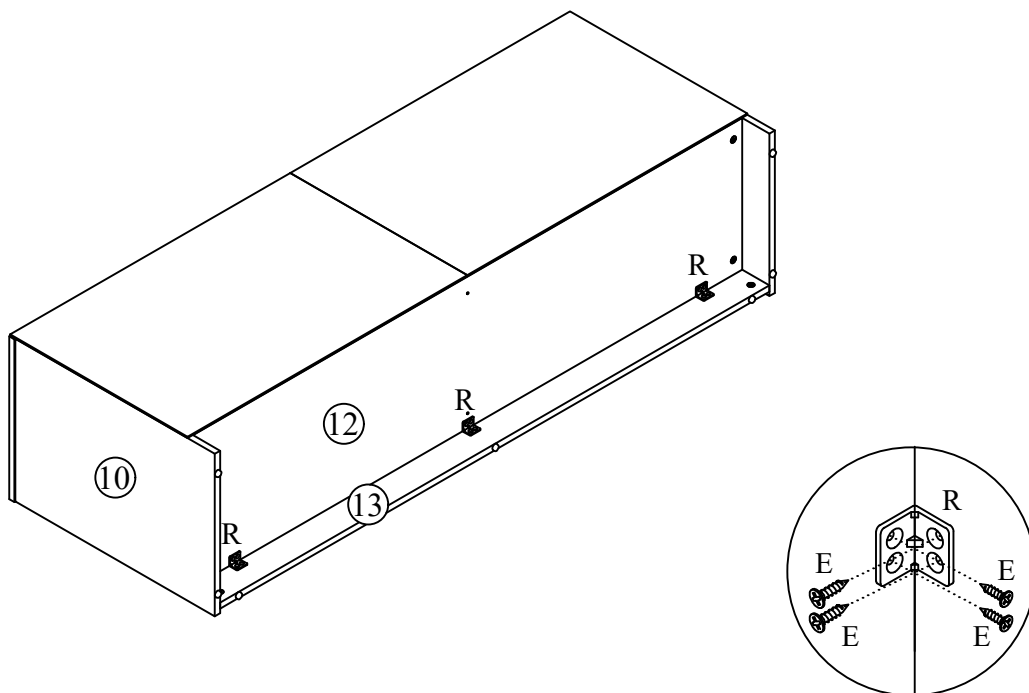
Attach cabinet back panel (23) with nail (Q) by using small mallet (not provided).
DO NOT use any power tools as this may damage the frame and will invalidate any claim.



15

E		12
R		3

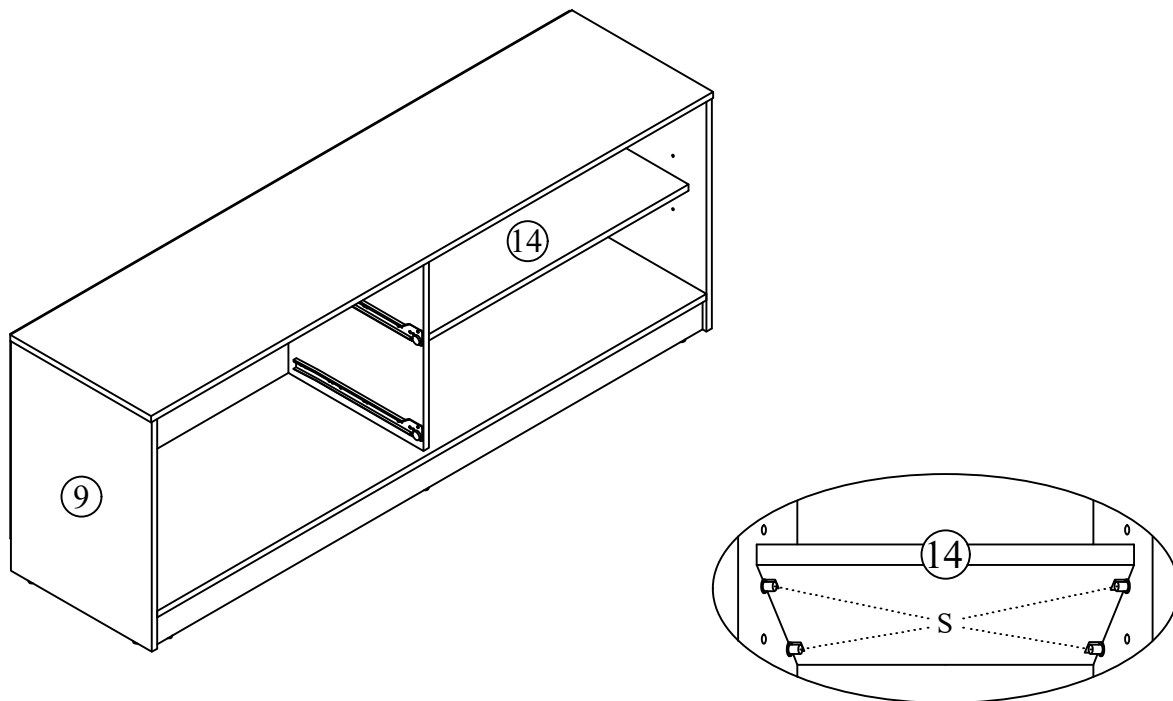
Fix hardware (R) with screw (E) by using screwdriver (not provided).
DO NOT use any power tools as this may damage the frame and will invalidate any claim.



16

S		4
---	--	---

Fix hardware (S) and insert cabinet movable panel (14) as shown.

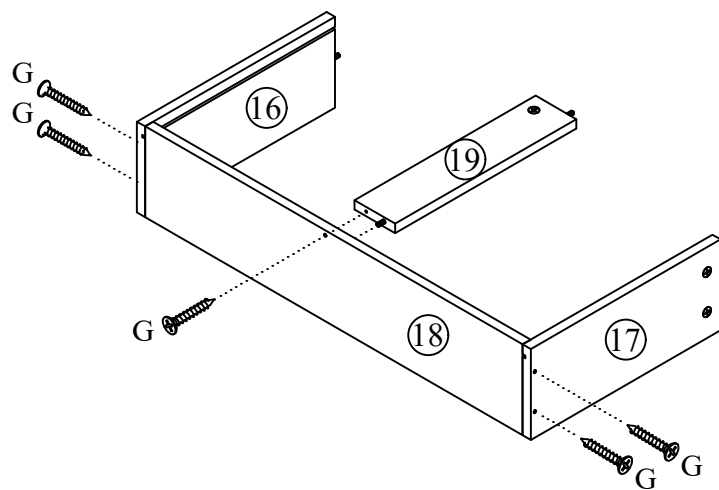


17

G		10
---	--	----

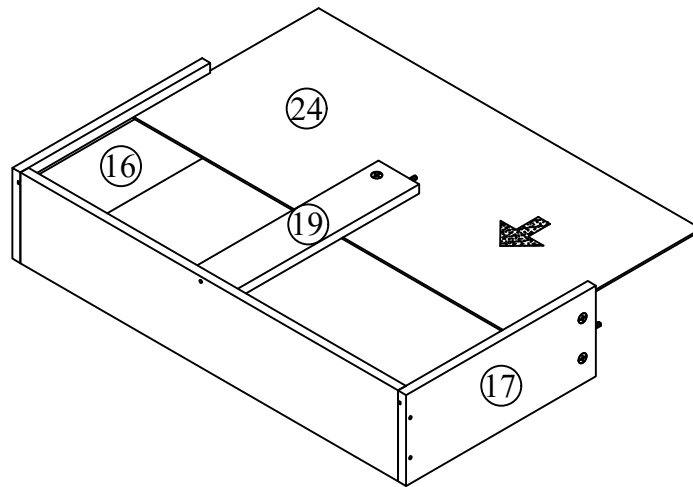
Fix drawer left and right panels (16) and (17) to drawer back panel (18) with screw (G) by screwdriver (not provided). Fix drawer support panel (19) to drawer back panel (18) with screw (G) by screwdriver (not provided).

DO NOT use any power tools as this may damage the frame and will invalidate any claim.





x 2sets

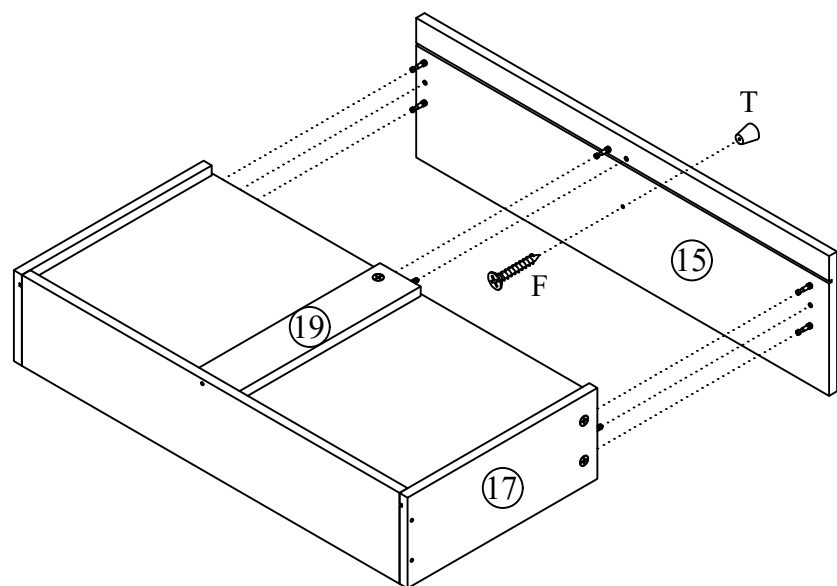
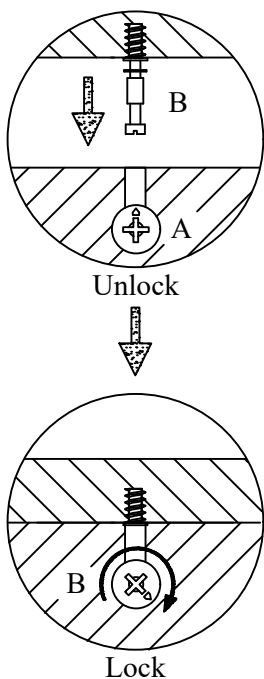
18 Insert drawer bottom panel (24) as shown.



x 2sets



F		2
T		2

19 Fix drawer front panel (15) by screwdriver (not provided). Attach hardware part (T) with screw (F) using screwdriver (not provided). **DO NOT** use any power tools as this may damage the frame and will invalidate any claim.

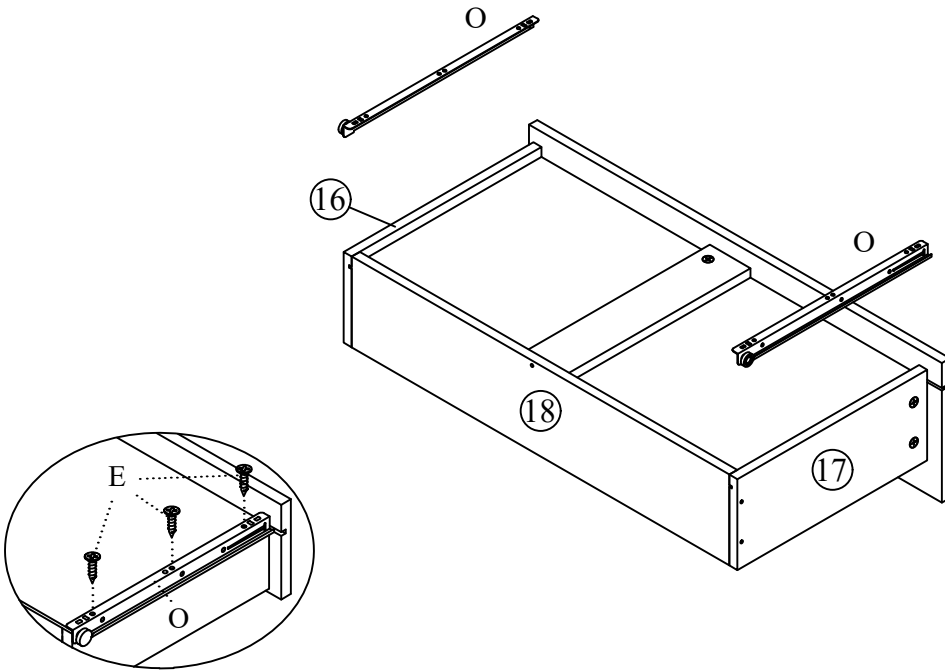


x 2sets

20


E		12
O		2

Fix hardware (O) onto the drawer left panel and drawer right panel (16) and (17) using screw (E) by screwdriver (not provided).
DO NOT use any power tools as this may damage the frame and will invalidate any claim.

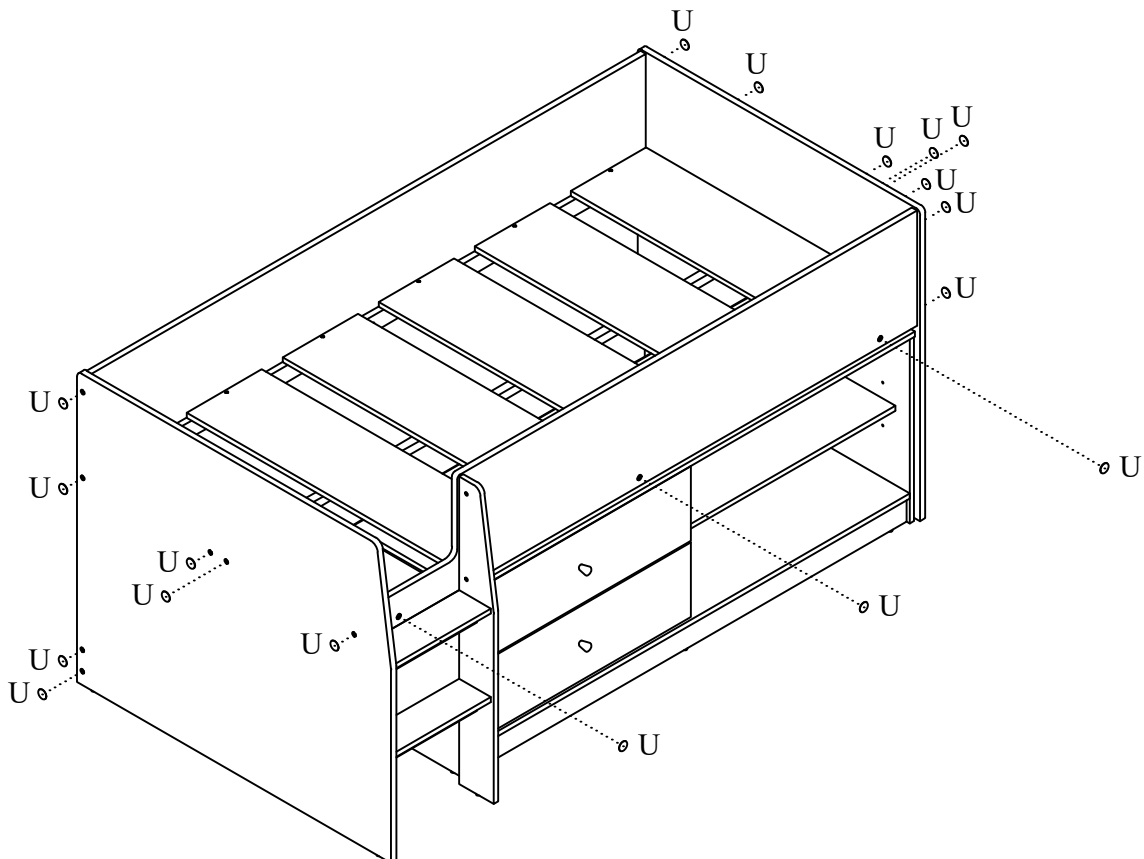


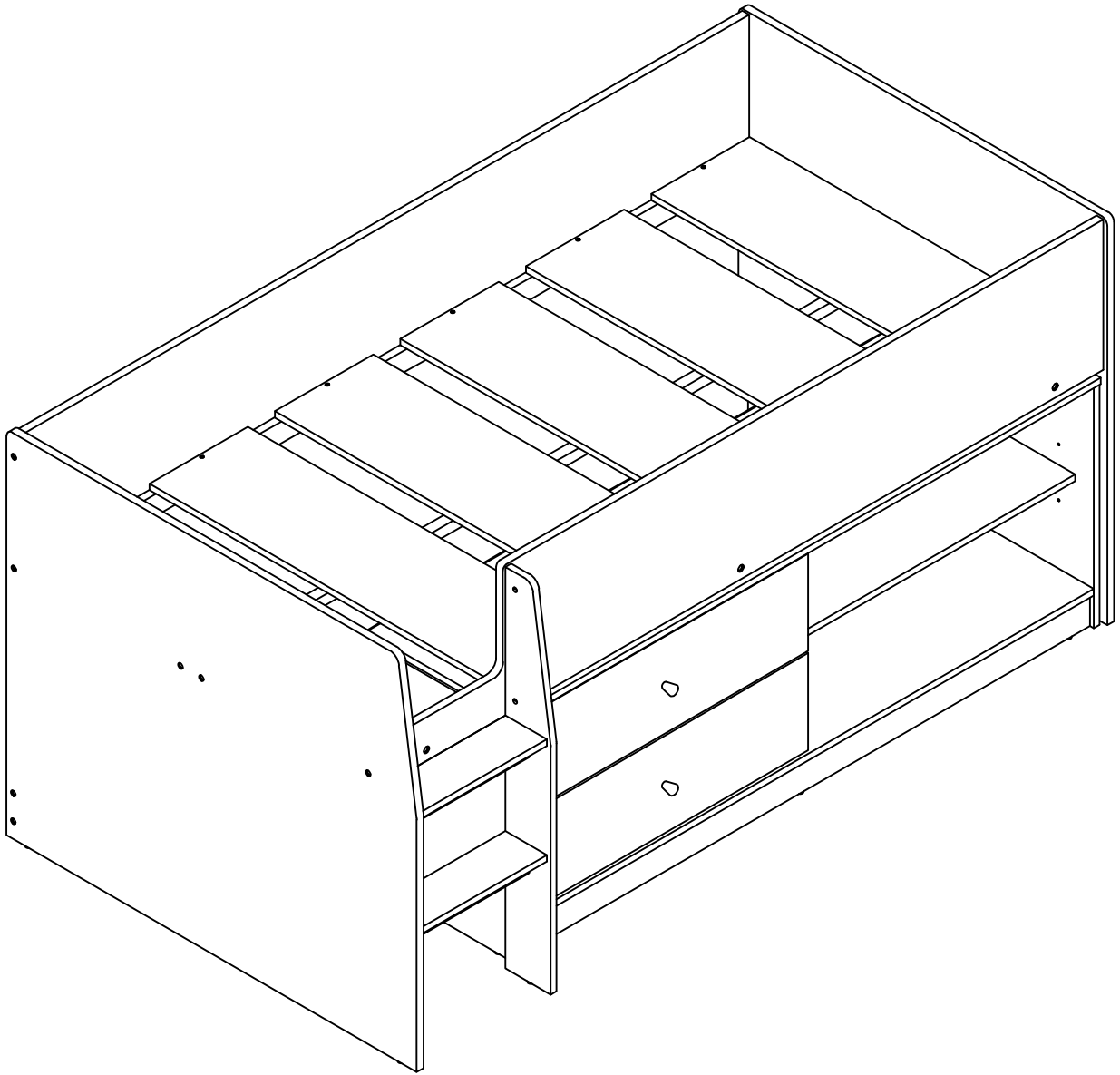
x 2sets

21

U		18
---	---	----

Cover screw hole with sticker (U) as shown.





Please dispose of all packaging safely.

General Care & Maintenance

Wipe clean with a slightly damp cloth.
Avoid the use of all household cleaners and abrasives.

Periodically check all screw & fixings to ensure they are secure.

When moving your product, carefully lift into place. Never drag or push the product across the floor as this will cause damage to the joints. If the product is used on hard flooring, such as wood or laminated floor, you must place some protection under the legs to stop the product from moving. If this is not adhered to, it could result in failure to the product that will invalidate the warranty.

For more information on cleaning and product care visit:
<https://www.happybeds.co.uk/help-and-advice>

Notes

In the unlikely event that you have problems putting this product together or have damaged or missing parts, please contact us by visiting:
<https://www.happybeds.co.uk/customer-service>