



Assembly Instructions

Important before assembly:

Read these instructions carefully before assembling or using the product.

Please check the contents of the boxes before attempting to assemble this product. The instructions will have a checklist of parts and fittings.

Assemble the product as close to its intended final location/room as possible.

Health & Safety:

This product or some parts of this product will be heavy. Please use an assistant when lifting.

Please keep small parts out of reach of children.

Always use on a level, even surface.

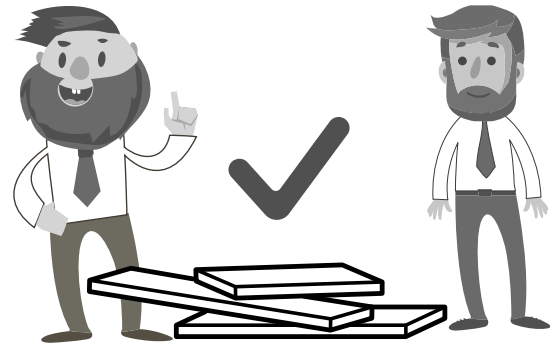
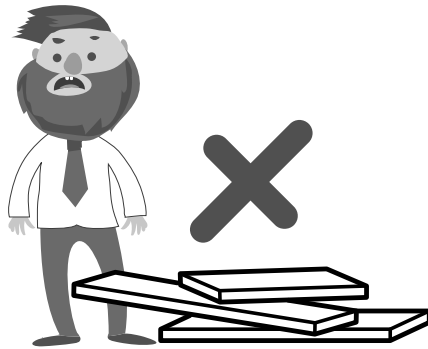
DO NOT jump on the product or any of its parts.

DO NOT use this product if any parts are missing, damaged or worn.

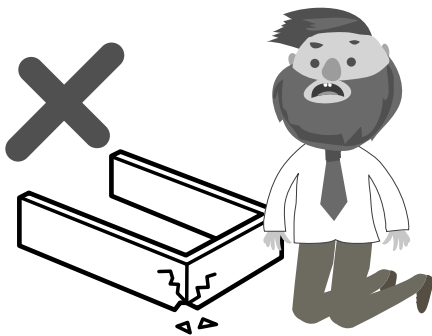
DO NOT use this product unless all fixings are secured.

Further instructions are on the following pages.

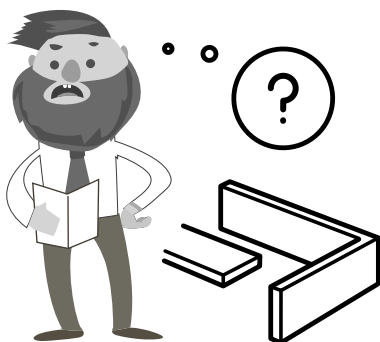
Please keep these instructions for future reference.



This product or some parts of this product will be heavy. Please use an assistant when lifting.



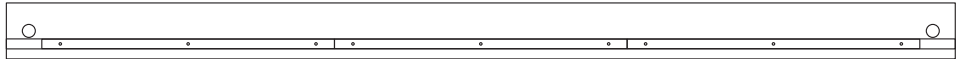
Never drag or push the pieces across a hard or stone floor as this will cause damage to the joints. Use a carpet or a rug for extra care.



If you have problems assembling or have damaged or missing pieces, please contact our customer services (details at the back of these instructions)



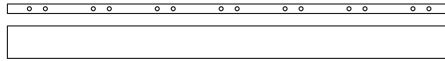
1 Headboard post x 2
(85 x 4.5cm)



6 Side rail x 2 (190 x 11.2cm)



2 Left footboard post
(38 x 4.5cm)



7 Top headboard rail x 2 (88.8 x 6.5cm)



3 Right footboard post
(38 x 4.5cm)



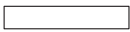
8 Bottom headboard rail (88.8 x 6.5cm)



4 Slat x 12
(91.2 x 6.5cm)



9 Footboard panel (888.8 x 9.2cm)





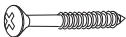
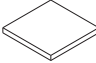





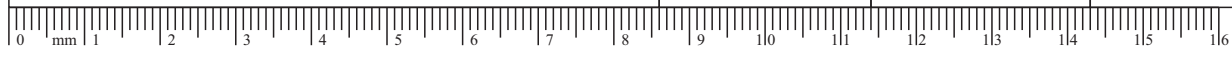
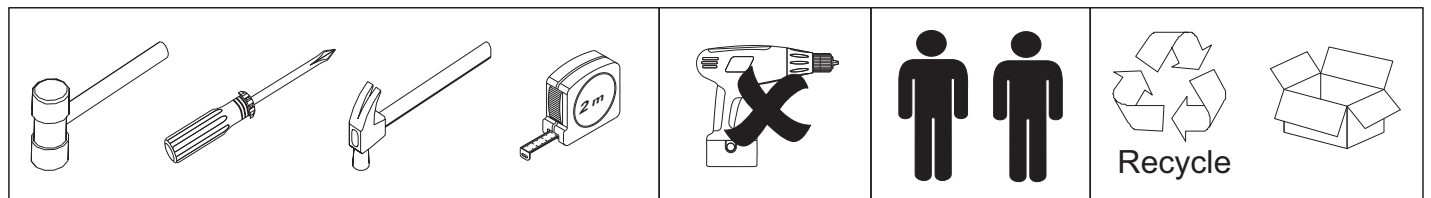
5 Headend rail x 7
(25 x 4.5cm)



10 Hardware Kit x 1

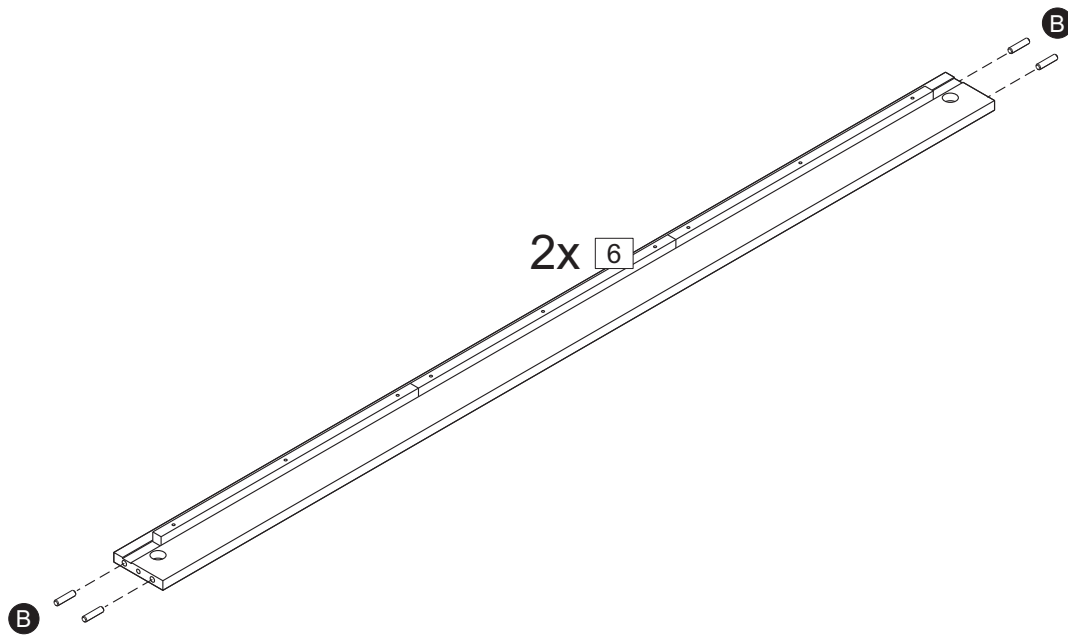
HARDWARE LIST

Part	Item	Qty	Part	Item	Qty
A	30mm dowel 	36	F	Half moon nut 	4
B	40mm dowel 	8	G	Allen key 	1
C	30mm Screw 	24	H	Spacer 	2
D	80mm Bolt 	8	J	Glue 	1
E	70mm Bolt 	4	You will need a screwdriver and small mallet (not provided).		

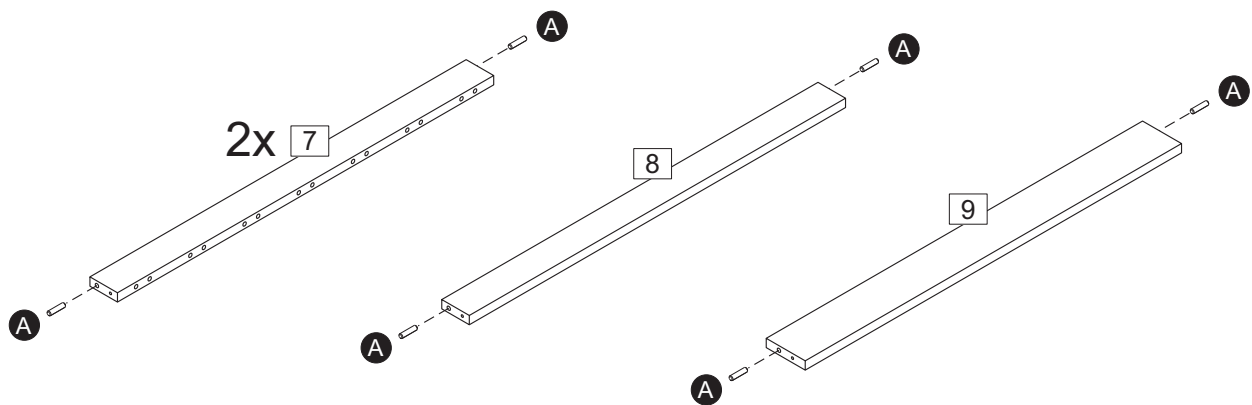


Step 1: Insert hardware part B to the side rails (6) using a small mallet (not provided).
DO NOT use any power tools as this may damage the frame and will invalidate any claim.

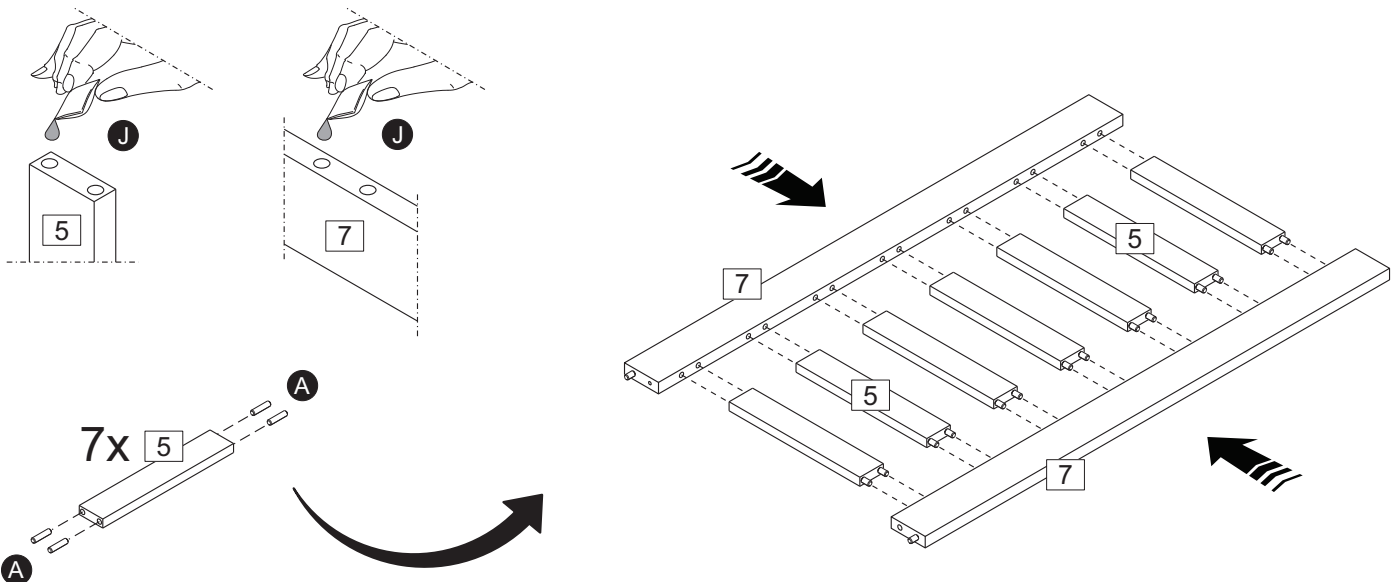
Vendor: S000238



Step 2: Insert hardware part A to the top headend rails (7), bottom headend rail (8) and footend panel (9) using a small mallet (not provided).



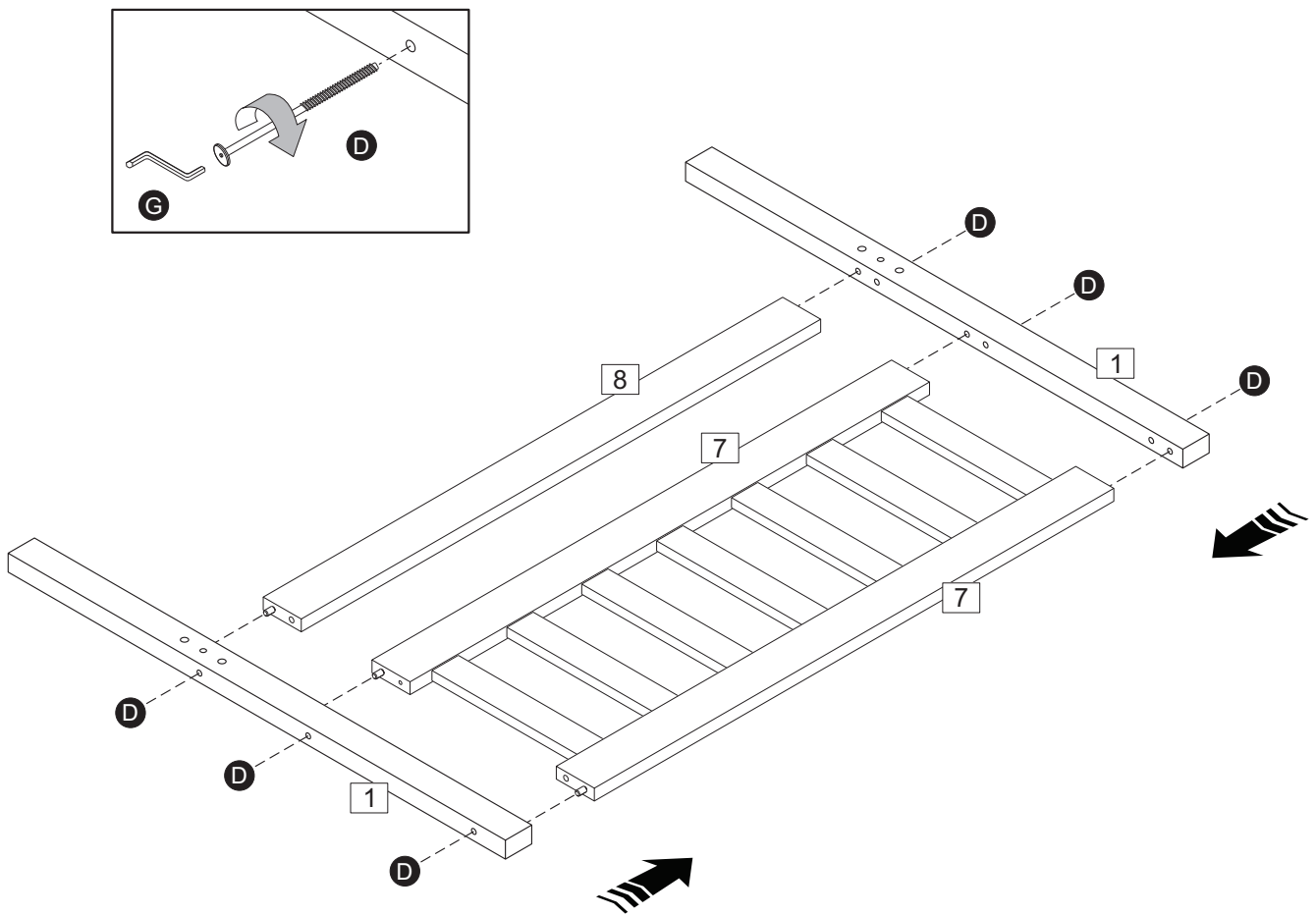
Step 3: Insert hardware part A and J to the headend rails (5). Attach the headend rails (5) and top headend rails (7).



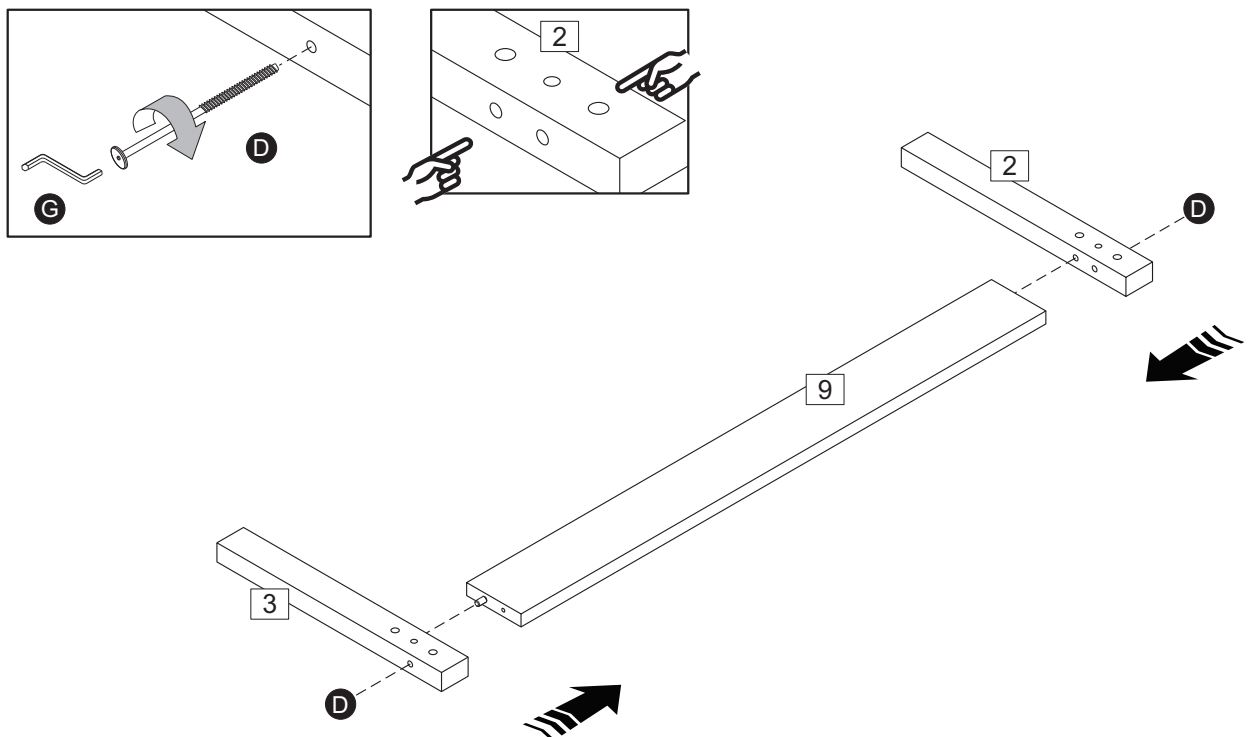
Step 4: Attach the headend post (1) to the top headend rails (7) and bottom headend rail (8) using hardware parts D and G.

Vendor: S000238

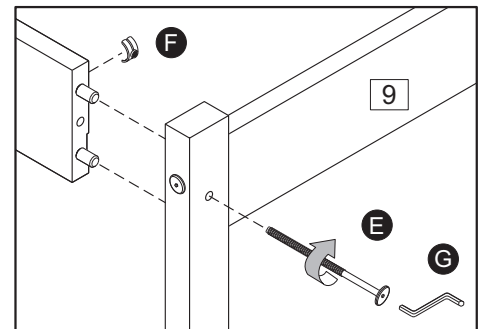
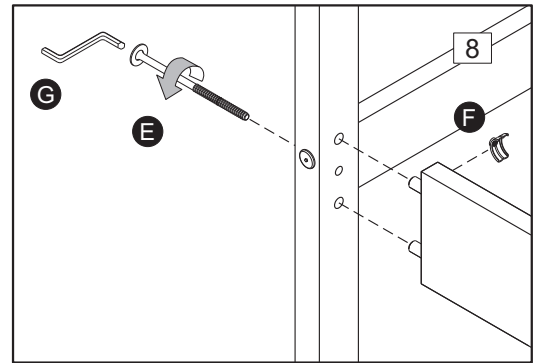
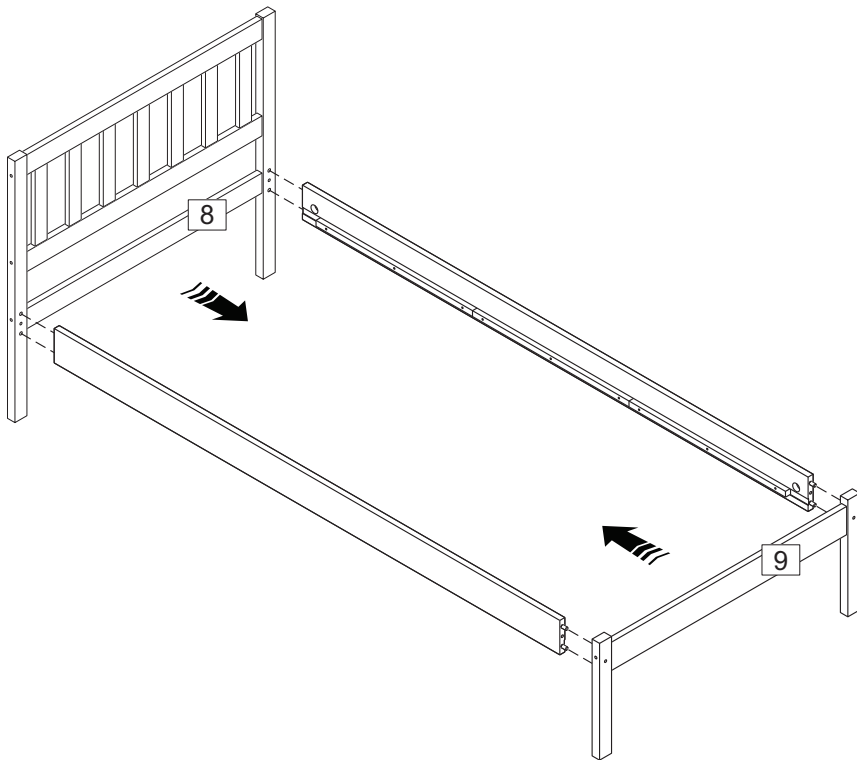
DO NOT use any power tools as this may damage the frame and will invalidate any claim.



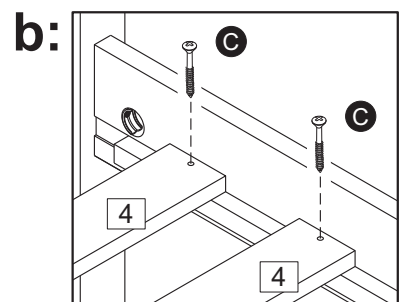
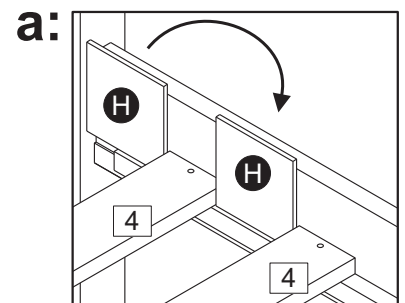
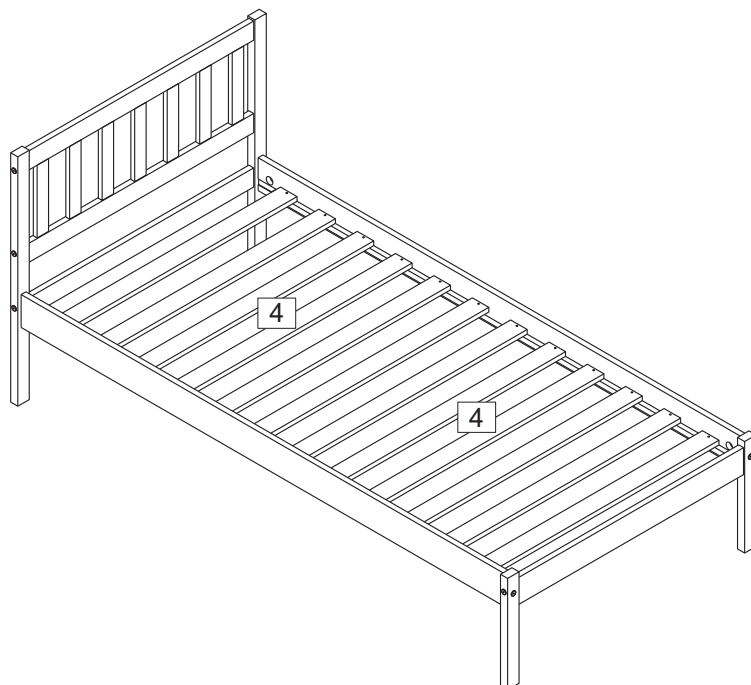
Step 5: Attach the left footend post (2) and right footend post (3) to the footend panel (9) using hardware parts D and G. **DO NOT use any power tools as this may damage the frame and will invalidate any claim.**



Step 6: Attach the side rails to the headend posts at the same time using hardware parts E, F and G. **Vendor: S000238**
DO NOT use any power tools as this may damage the frame and will invalidate any claim.



Step 7: Fix slats (4) to the side rails using hardware parts C and H with a screwdriver (not provided).
 Make sure to start from the ends and work towards the middle.
DO NOT use any power tools as this may damage the frame and will invalidate any claim



Additional Information:

- For complete product information, images and dimension diagrams please visit the website www.birlea.com
- If you have any issues with your item please contact the retailer directly you purchased it from who will be able to resolve any issues with Birlea.
- Why don't you send us photos of your assembled furniture to info@birlea.com to be shared in our #birleahome feature on Instagram.

Please dispose of all packaging safely.

General Care & Maintenance

Wipe clean with a slightly damp cloth.
Avoid the use of all household cleaners and abrasives.

Periodically check all screw & fixings to ensure they are secure.

When moving your product, carefully lift into place. Never drag or push the product across the floor as this will cause damage to the joints. If the product is used on hard flooring, such as wood or laminated floor, you must place some protection under the legs to stop the product from moving. If this is not adhered to, it could result in failure to the product that will invalidate the warranty.

For more information on cleaning and product care visit:
<https://www.happybeds.co.uk/help-and-advice>

Notes

In the unlikely event that you have problems putting this product together or have damaged or missing parts, please contact us by visiting:
<https://www.happybeds.co.uk/customer-service>