



Assembly Instructions

Loft Station 3FT High Sleeper Storage Bed



Important before assembly:

Read these instructions carefully before assembling or using the product.

Please check the contents of the boxes before attempting to assemble this product. The instructions will have a checklist of parts and fittings.

It would be sensible to lay a rug or a carpet on the floor where you intend to assemble the product, to avoid scratches and damaging the product or the floor.

Assemble the product as close to its intended final location/room as possible.

Do NOT use any power tools as this may damage the frame.

Health & Safety:

This product or some parts of this product will be heavy. Please use an assistant when lifting.

Please keep small parts out of reach of children.

Always use on a level, even surface.

DO NOT jump on the product or any of its parts.

DO NOT use this product if any parts are missing, damaged or worn.

DO NOT use this product unless all fixings are secured.

Please keep these instructions for future reference.



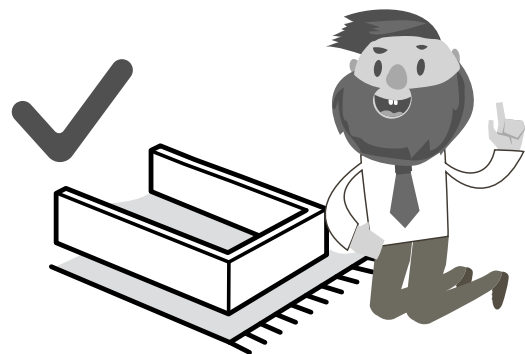
(Not metal)

These tools are not necessary, but may help to assemble certain parts of the product.

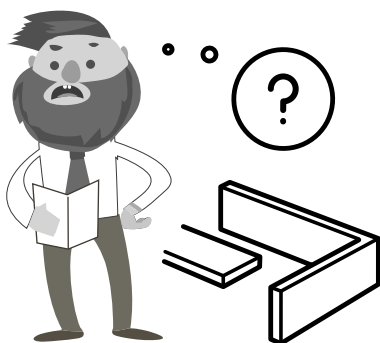
Do NOT use any power tools as this may damage the frame.



This product or some parts of this product will be heavy. Please use an assistant when lifting.

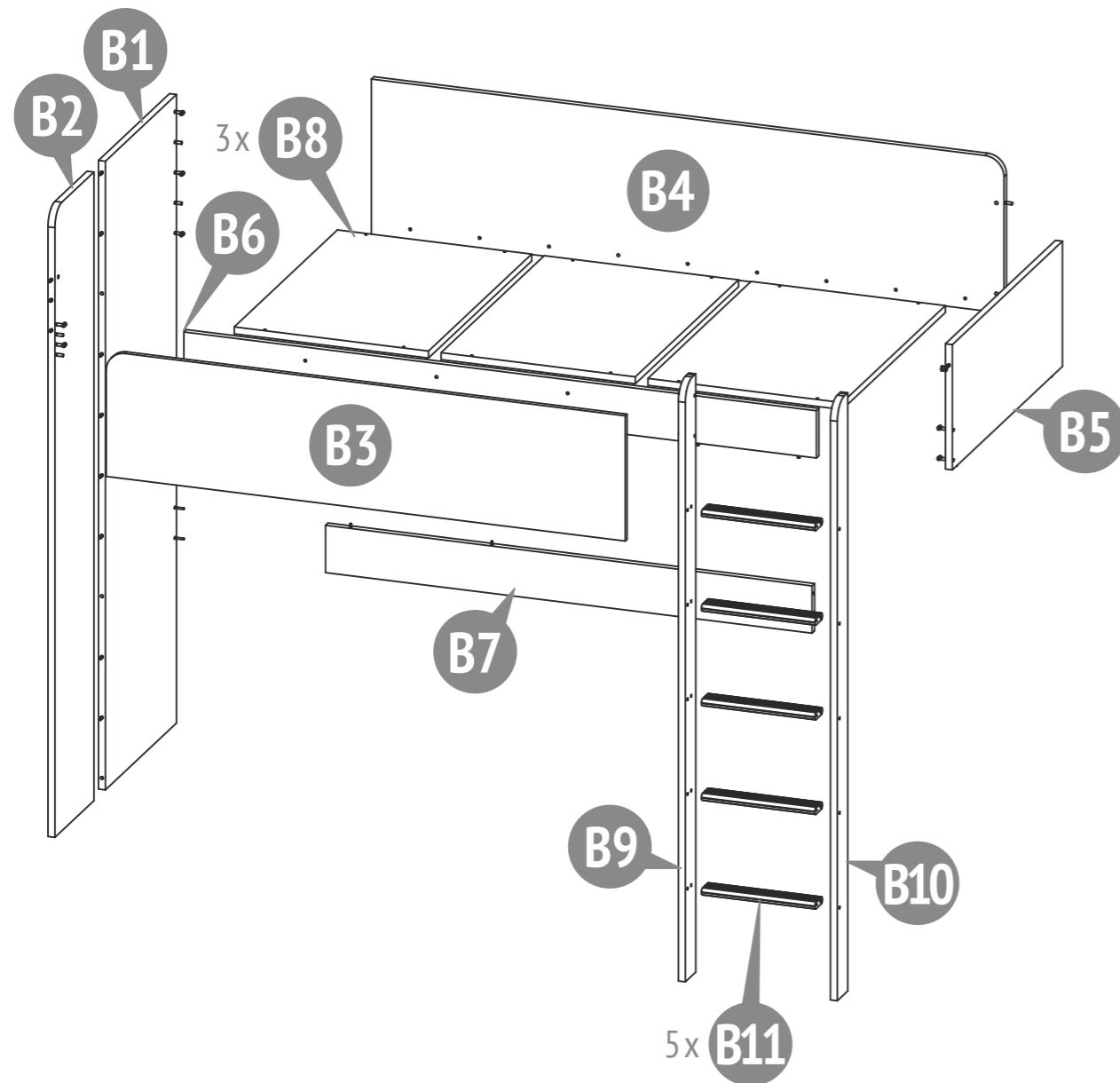


Never drag or push the pieces across a hard or stone floor as this will cause damage to the joints. Use a carpet or a rug for extra care.

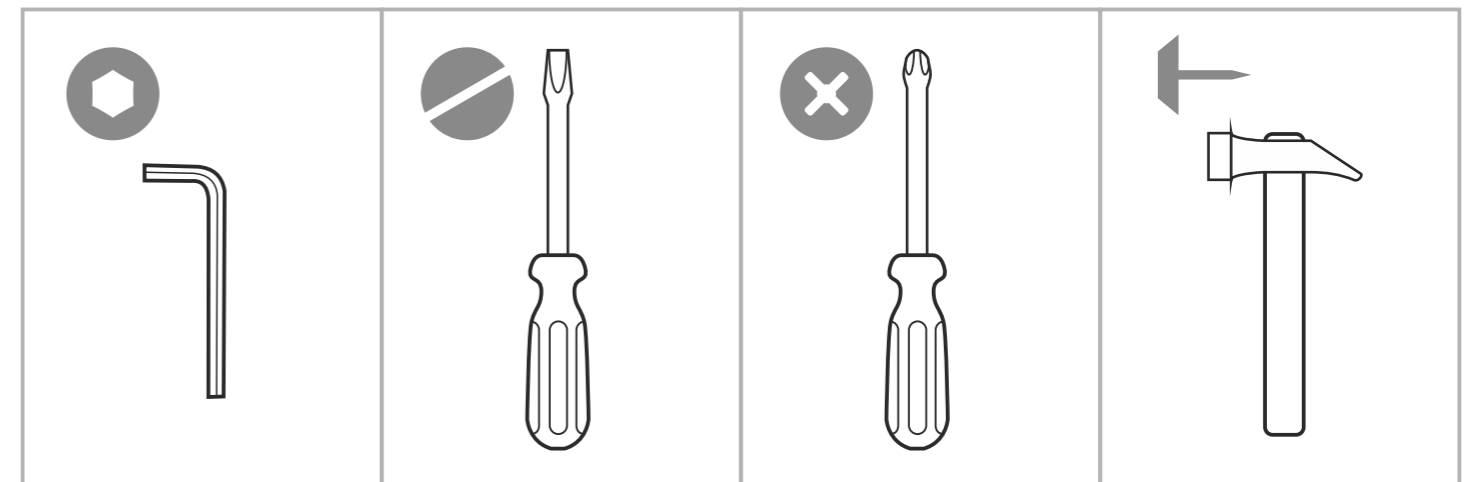


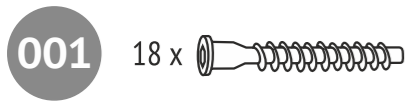
If you have problems assembling or have damaged or missing pieces, please contact us by visiting:

<https://www.happybeds.co.uk/customer-service>

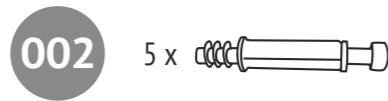


Number on the picture Nummer in der Zeichnung Nombr op figur Nombre à la figure Numero en el dibujo Il numero alla figura Número na figura Номер на рисунке الرقم على الرسمة	Number of parts in the product Stückzahl der Teile im Produkt Aantal componenten in het product Nombre des détails du produit Cantidad de elementos del producto La quantità dei dettagli nel prodotto Quantidade de peças Количество деталей в изделии كمية الأجزاء بالمنتج	Parts description Bezeichnung Onderdelen namen Names des pièces	Nombre de los elementos La nomenclatura dei dettagli Designação das peças Наименование деталей تسمية الأجزاء	Laying / Verpackung / Pakking / Pose / El embalaje / Posa / Estilo / Укладка / ترتيب					
				المكان Lugar / Il posto / Espaço / Место					
				1	2	3	4	5	
B1	1	Support Unterstützung Ondersteuning Appui	Sostén Traversa Apoio Опора	الداعم	●				
B2	1	Support Unterstützung Ondersteuning Appui	Sostén Traversa Apoio Опора	الداعم	●				
B3	1	Fence Zaun Hek Protection	Valla Schermo Cerca Ограждение	السور		●			
B4	1	Fence Zaun Hek Protection	Valla Schermo Cerca Ограждение	السور		●			
B5	1	Fence side Zaun Seite Laterale hek Protection latérale	Valla lateral Schermo laterale Cerca lateral Ограждение боковое	الحاجز الجانبي	●				
B6	1	Sidebar Seitenleiste Ombouw Barre de connexion	Barra lateral Longone Barra lateral Цапра	قضيب الربط الطوي		●			
B7	1	Sidebar Seitenleiste Ombouw Barre de connexion	Barra lateral Longone Barra lateral Цапра	قضيب الربط الطوي		●			
B8	3	Bed's bottom Unterseite des Bettes Onderkant van het bed Fond du lit	Fondo de la cama Fondo del letto Estrado de cama Дно кровати	قاع السرير	●				
B9	1	Stairs Treppe Trap Escalier	Escalera Scale Escadas Лестница стоевая	السلام	●				
B10	1	Stairs Treppe Trap Escalier	Escalera Scale Escadas Лестница стоевая	السلام		●			
B11	5	Step Schritt Stap Étape	Paso Passo Passo Ступень	الخطوة		●			
		Set of fittings Satz Beschläge Hang-en-sluitwerk Kit d'accessoires	Conjunto de los accesorios Il completo della forniture Kit de ferragens Комплект фурнитуры	زاوية معدنية		●			

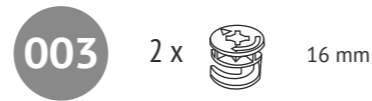




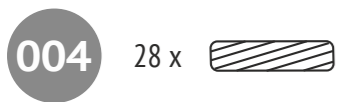
Confirmat screw 7 x 50
 Confirmat Schraube 7 x 50
 Confimate Schroef 7x50
 Vis confirmer 7 x 50
 El tornillo de rosca gruesa 7 x 50
 Il vito confirmato 7 x 50
 Parafuso confirmat 7 x 50
 Винт-конфирмат 7 x 50
 برغي الخشب (الأوروبي) 7 x 50



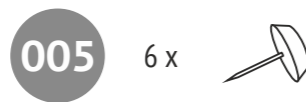
Eccentric pin
 Exzenterstift
 Stengel van excentriek
 Tige d'excentrique
 El pasador excéntrico
 La barra dell'excéntrico
 Rosca soberba
 Шток эксцентрика
 محور فرس لا متمركز (إكسنتريك)



Eccentric
 Exzenter
 Excentriek
 Excentrique
 El excéntrico
 L'excéntrico
 Tambor
 Эксцентрик
 فرس لا متمركز (إكسنتريك)



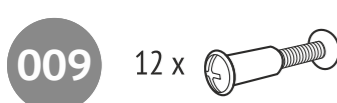
Dowel 8 x 30
 Holzdübel 8 x 30
 Pluggen 8x30
 Goujons 8 x 30
 La clavija 8 x 30
 La spina 8 x 30
 Cavilha 8 x 30
 Шкант 8 x 30
 دَسار 8 x 30



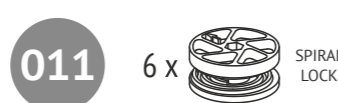
Toe nail
 Fußgleiter mit Nagel
 Stuwdrukklager met spijker
 Patins avec clou
 El apoyo para el talón con el clavo
 La ralla con il chiodo
 O apoio para o calcanhar com o prego
 Подпятник с гвоздем
 قطعة استناد مع مسمار



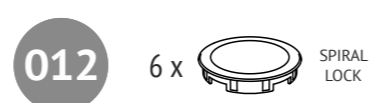
Screw M6 x 12
 Gewindeschraube M6 x 12
 Schroef M6 x 12
 Vis M6 x 12
 La tuerca M6 x 12
 Il vito M6 x 12
 Parafuso M6 x 12
 Винт M6 x 12
 لولب M6 x 12



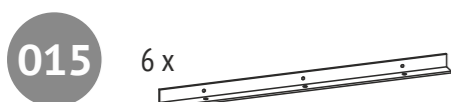
Screw connection
 Schraubverbindung
 Koppeling
 Connexion à vis
 Conexión de tornillos
 Viti di collegamento
 Ligação de parafusos
 Стяжка
 المسمار اتصال



Eccentric
 Exzenter
 Excentriek
 Excentrique
 El excéntrico
 L'excéntrico
 Tambor
 Эксцентрик
 فرس لا متمركز (إكسنتريك)



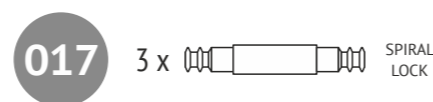
Protective cap
 Abdeckkappe
 Afsluitdop
 Bouchon pour le confirmer
 La tapa del tornillo de rosca gruesa
 Il tappo di chiusura per il confirmato
 Tampa para os parafusos confirmat
 Заглушка
 الأوروبي(برغي الخشب عطاء



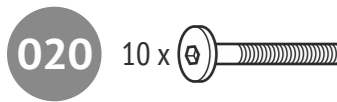
Mount the bottom of the bed
 Montieren Sie die Unterseite des Bettes
 Monteer de bodem van het bed
 Monter le fond du lit
 Monte la parte inferior de la cama
 Montare la parte inferiore del letto
 Montar o fundo da cama
 Уголок для установки дна кровати
 جبل الجزء السفلي من السرير



Eccentric
 Exzenter
 Excentriek
 Excentrique
 El excéntrico
 L'excéntrico
 Tambor
 Эксцентрик
 فرس لا متمركز (إكسنتريك)



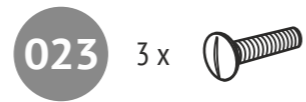
Eccentric pin
 Exzenterstift
 Stengel van excentriek
 Tige d'excentrique
 El pasador excéntrico
 La barra dell'excéntrico
 Rosca soberba
 Шток эксцентрика
 محور فرس لا متمركز (إكسنتريك)



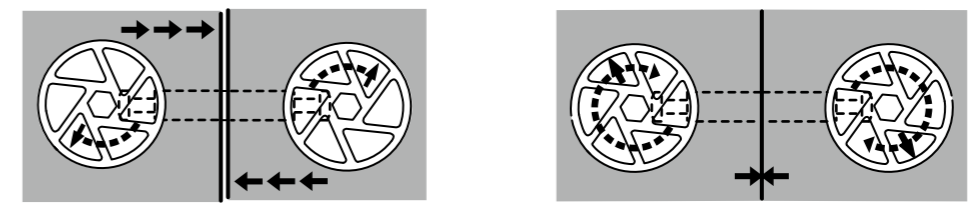
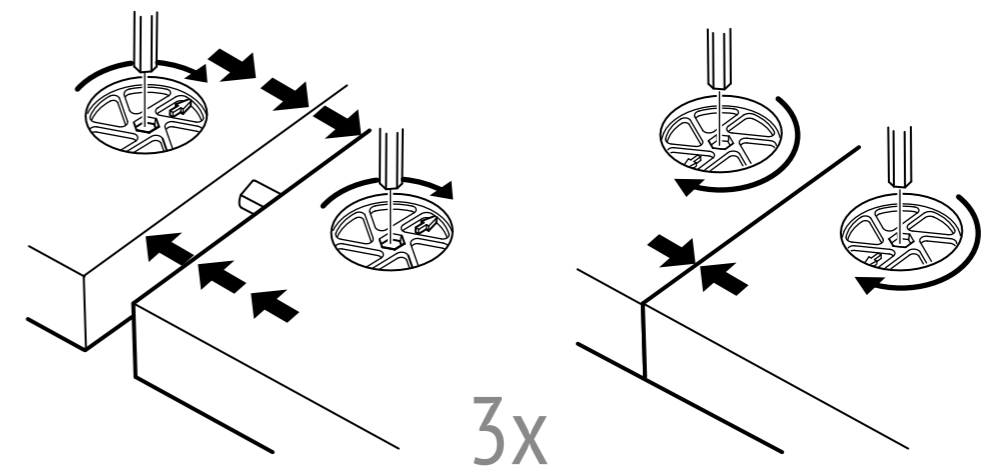
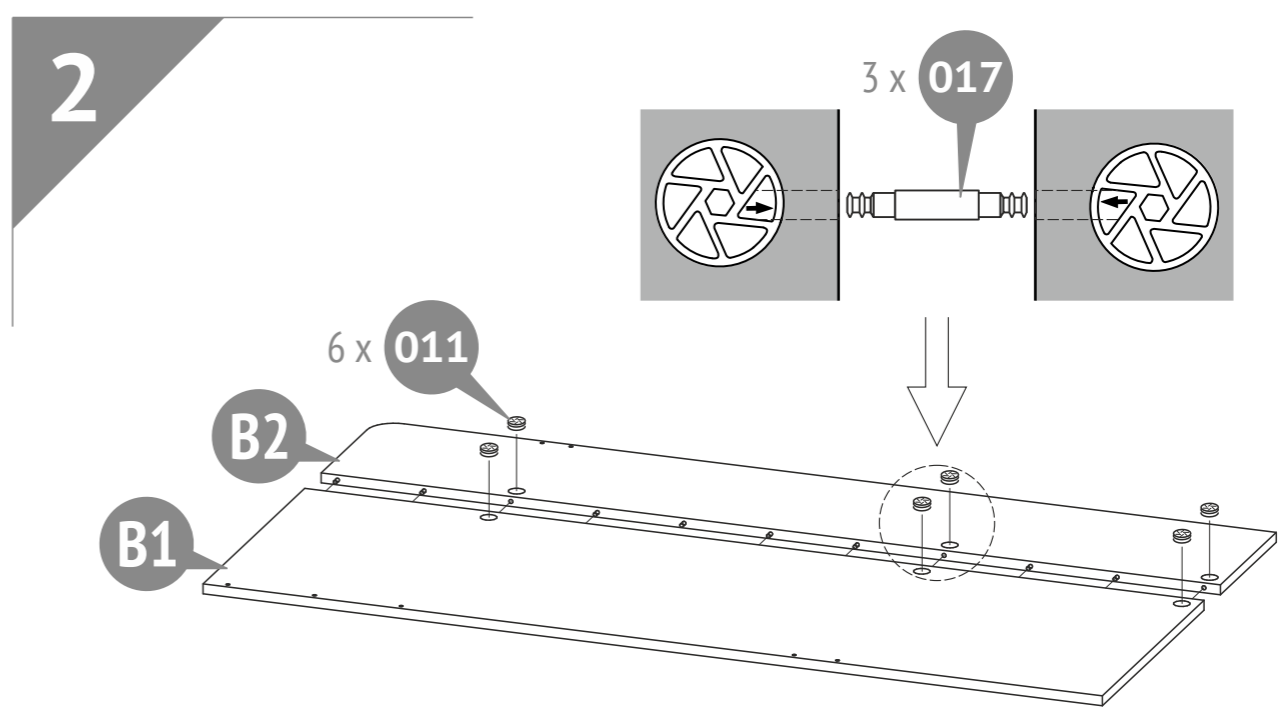
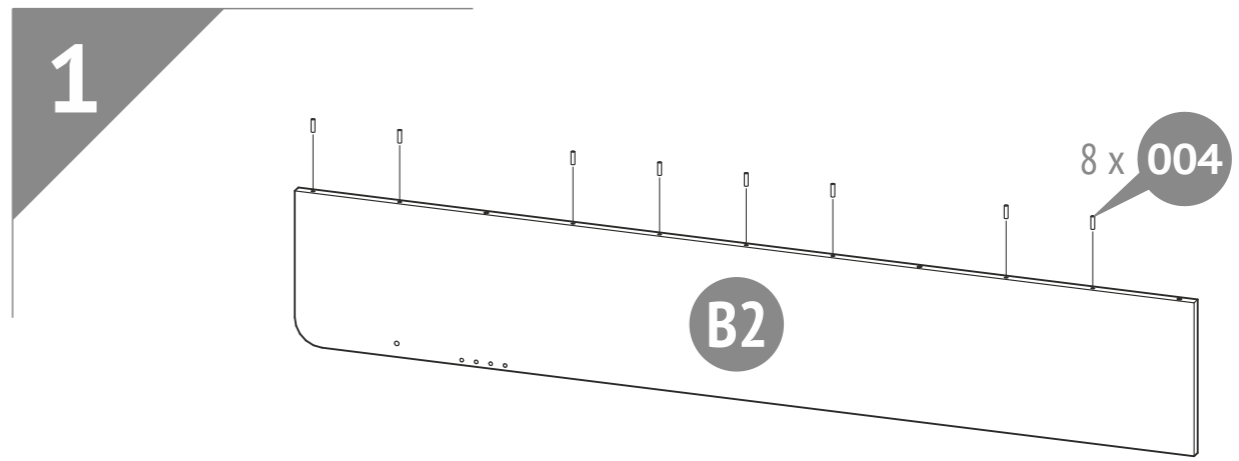
Screw M6 x 50
 Gewindeschraube M6 x 50
 Schroef M6 x 50
 Vis M6 x 50
 Tornillo M6 x 50
 Vite M6 x 50
 Parafuso M6 x 50
 Винт M6 x 50
 المسمار M6 x 50



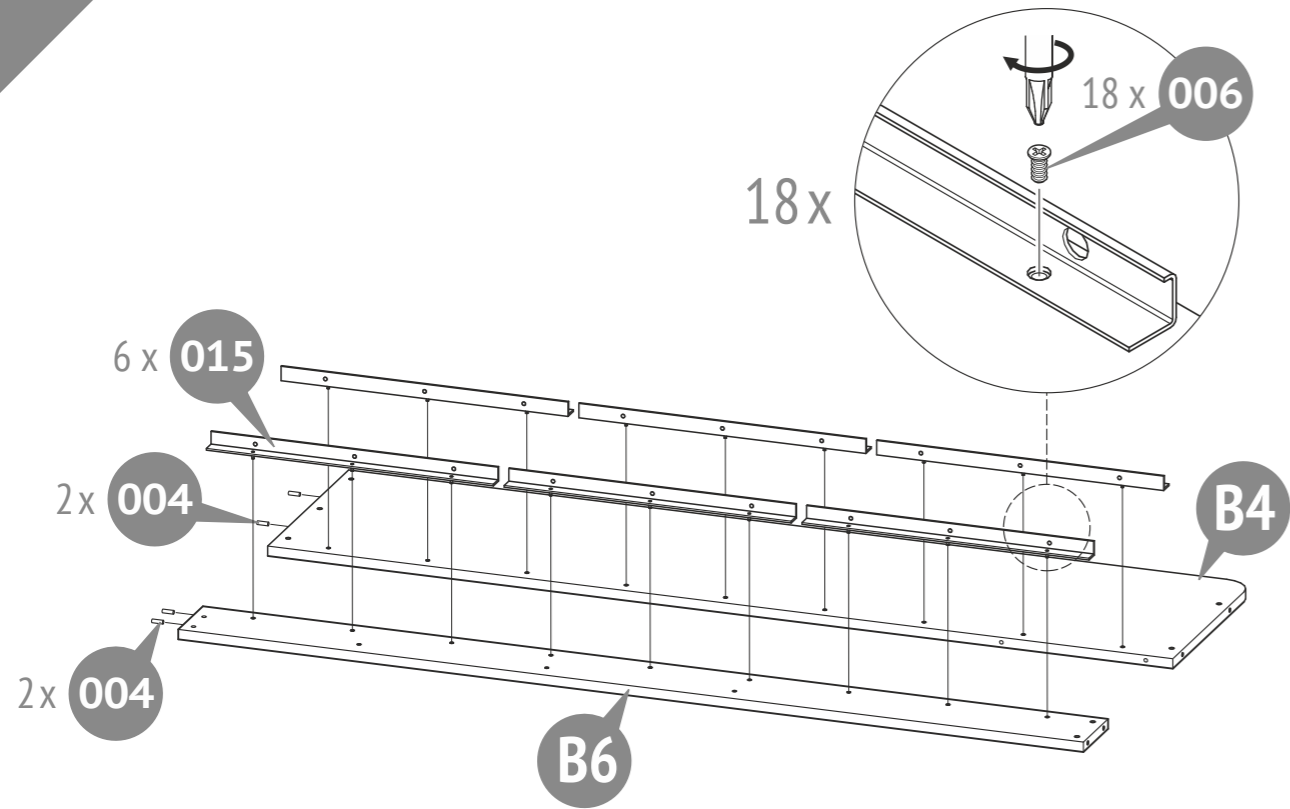
Round nut M6
 Rundmutter M6
 Ronde moer M6
 Ecrou baril M6
 La tuerca cilíndrica M6
 Dado barile M6
 Porca de tambor M6
 Гайка-бочонок M6
 جولة الجوز M6



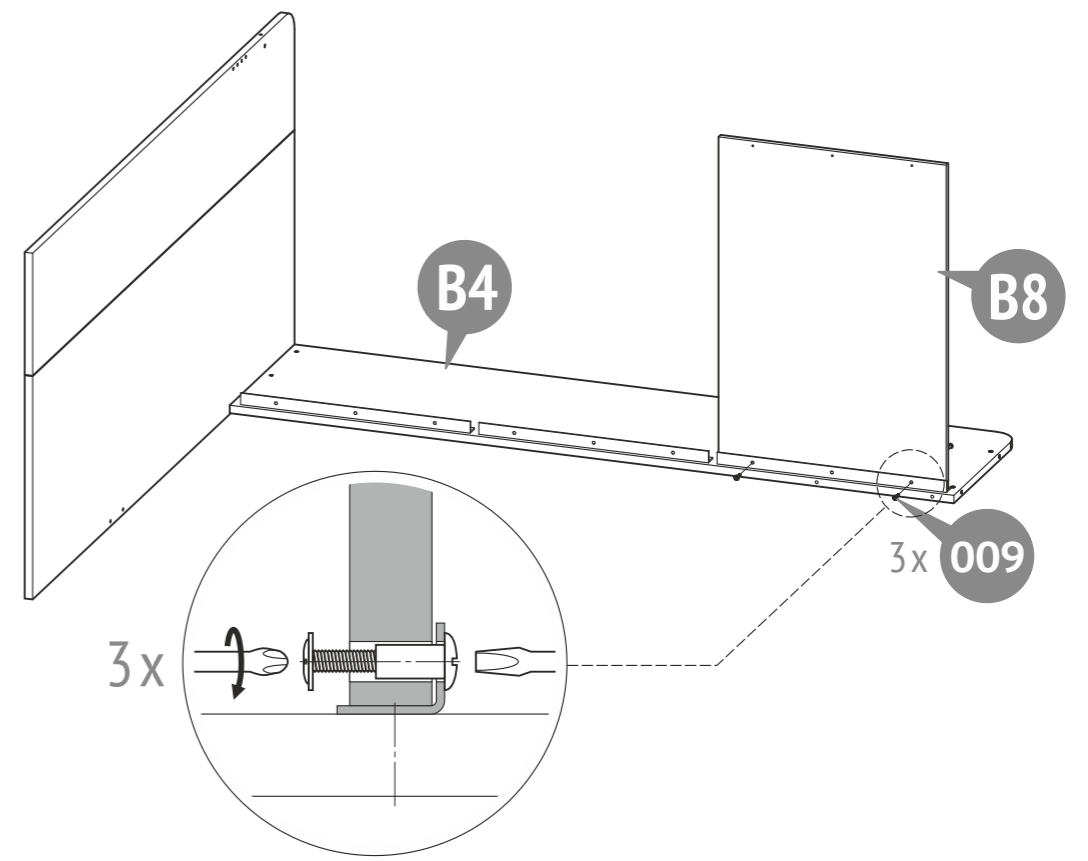
Screw M6 x 30
 Gewindeschraube M6 x 30
 Schroef M6 x 30
 Vis M6 x 30
 Tornillo M6 x 30
 Vite M6 x 30
 Parafuso M6 x 30
 Винт M6 x 30
 المسمار M6 x 30



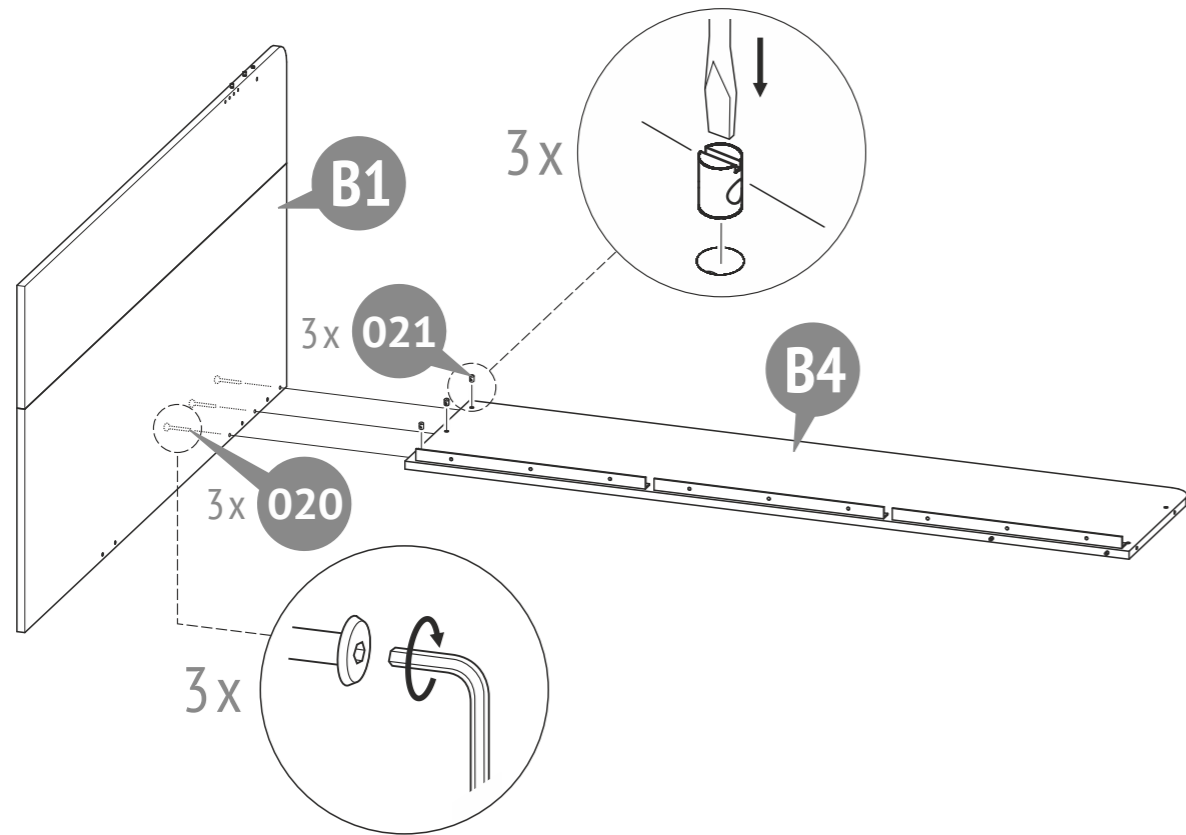
3



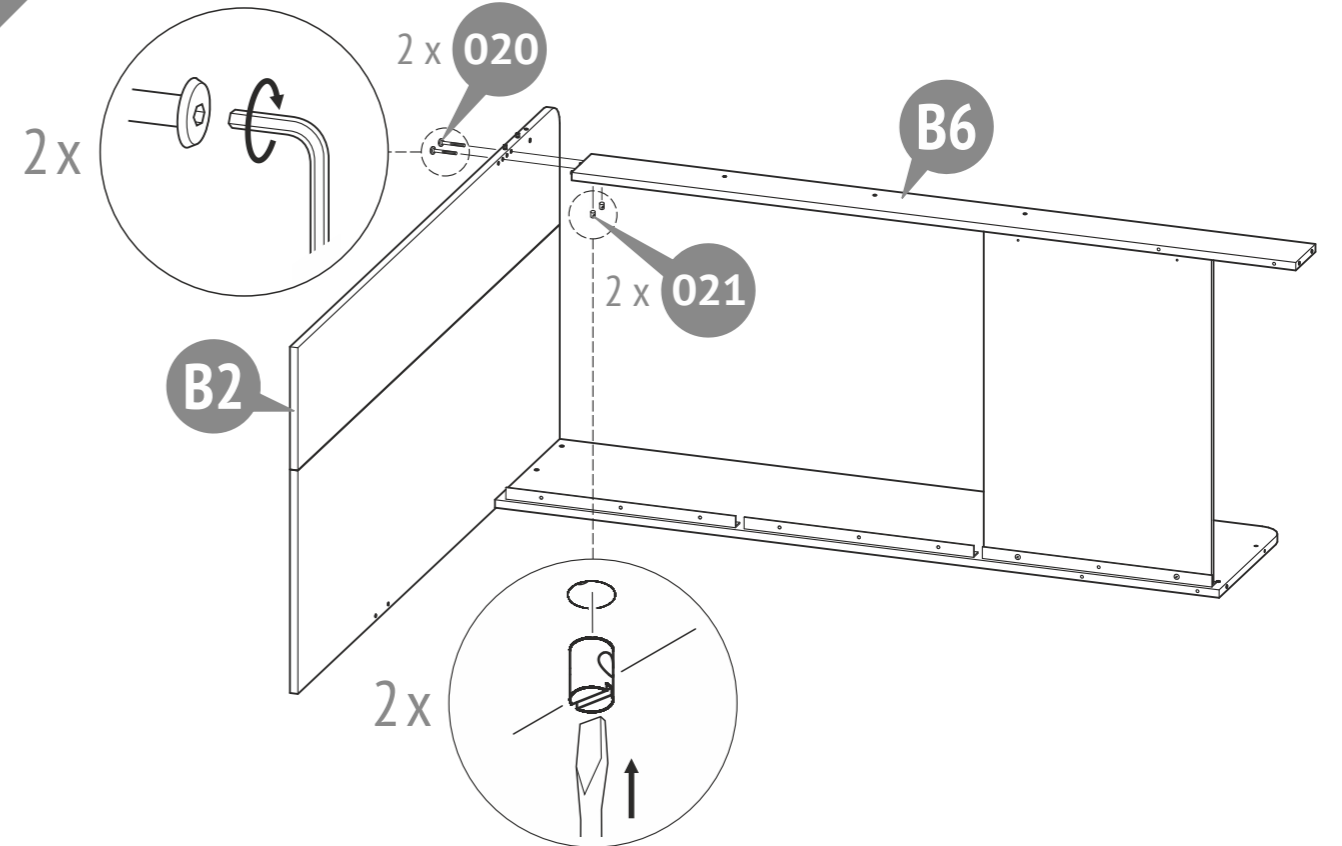
5



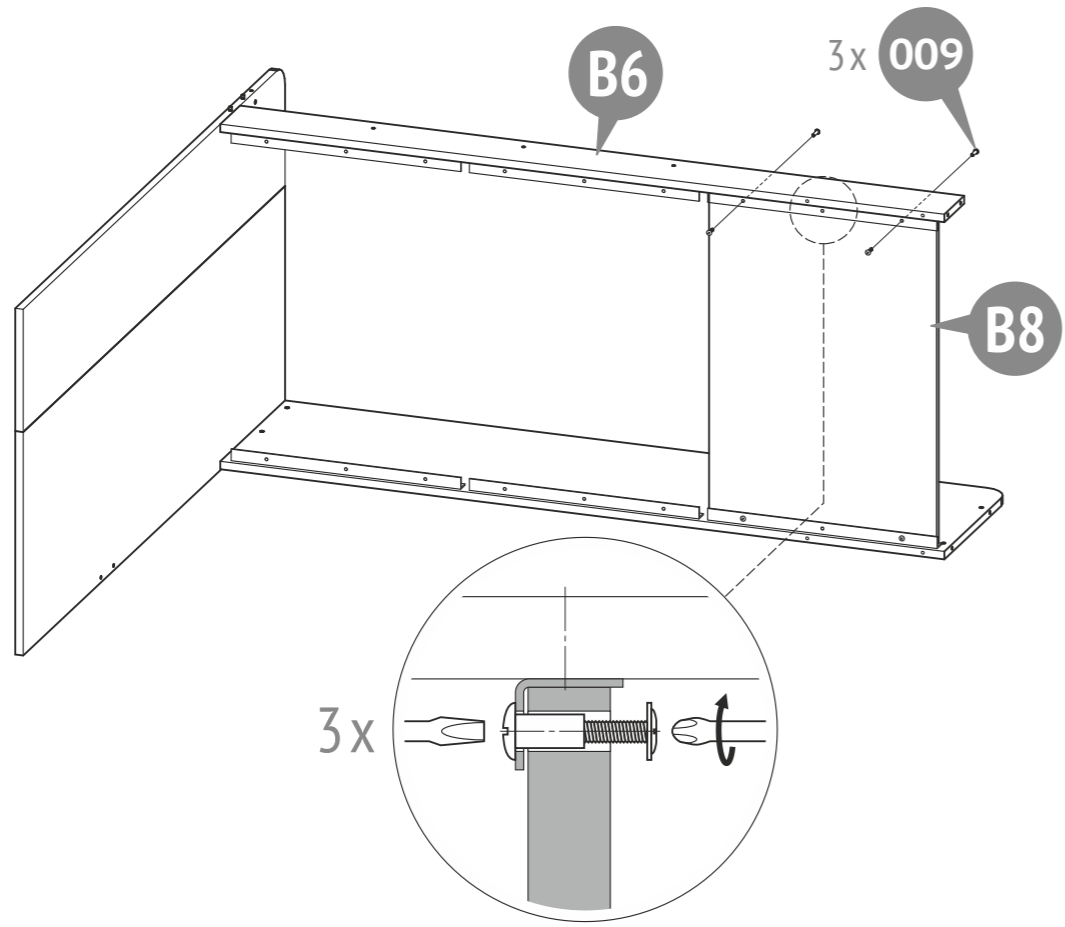
4



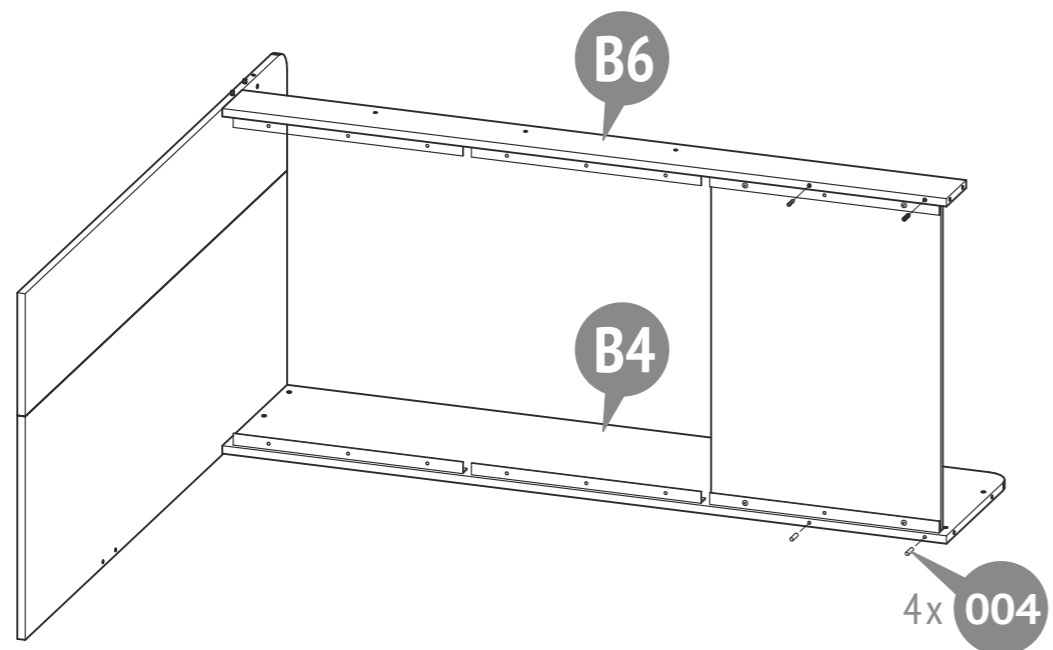
6



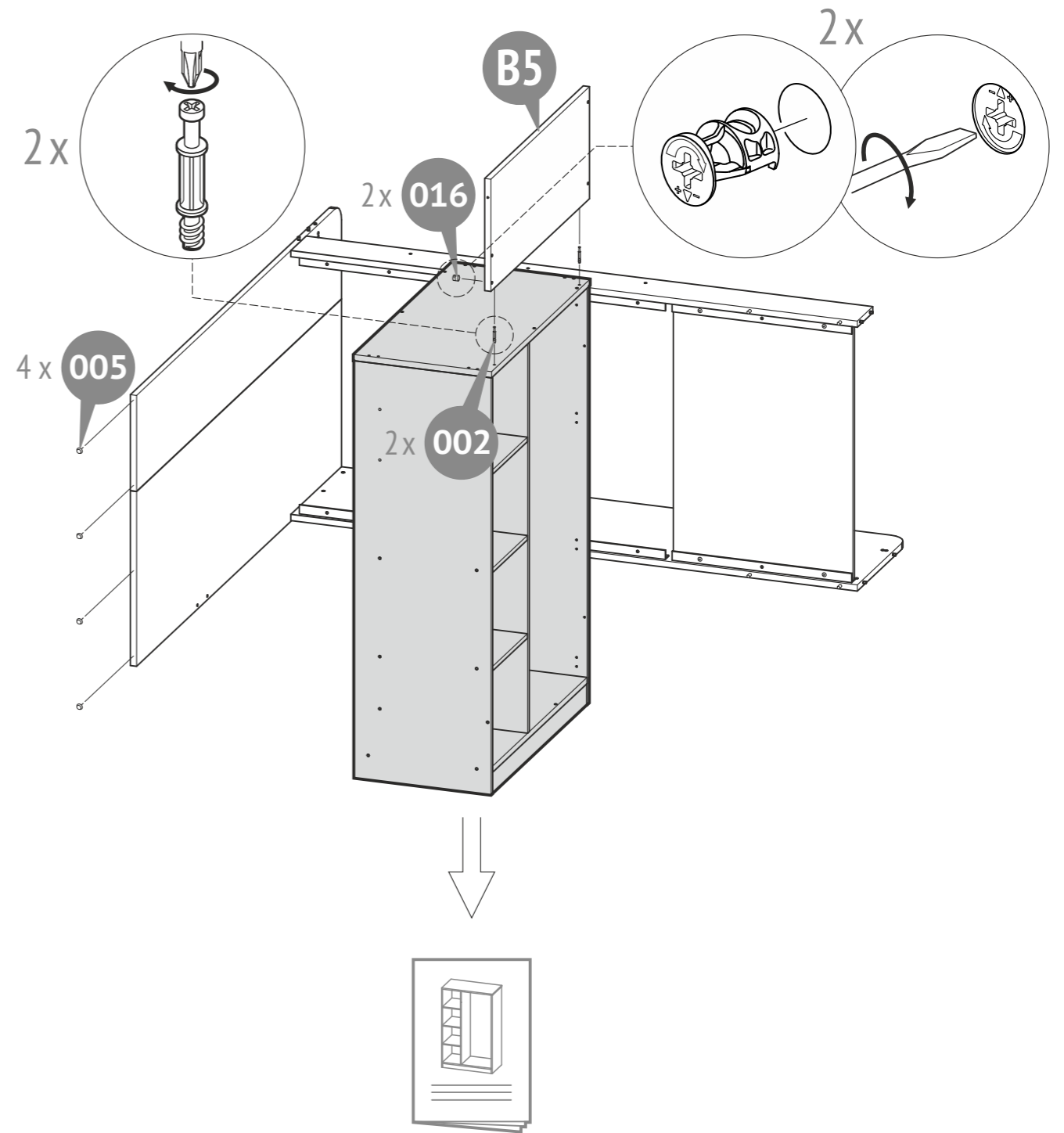
7



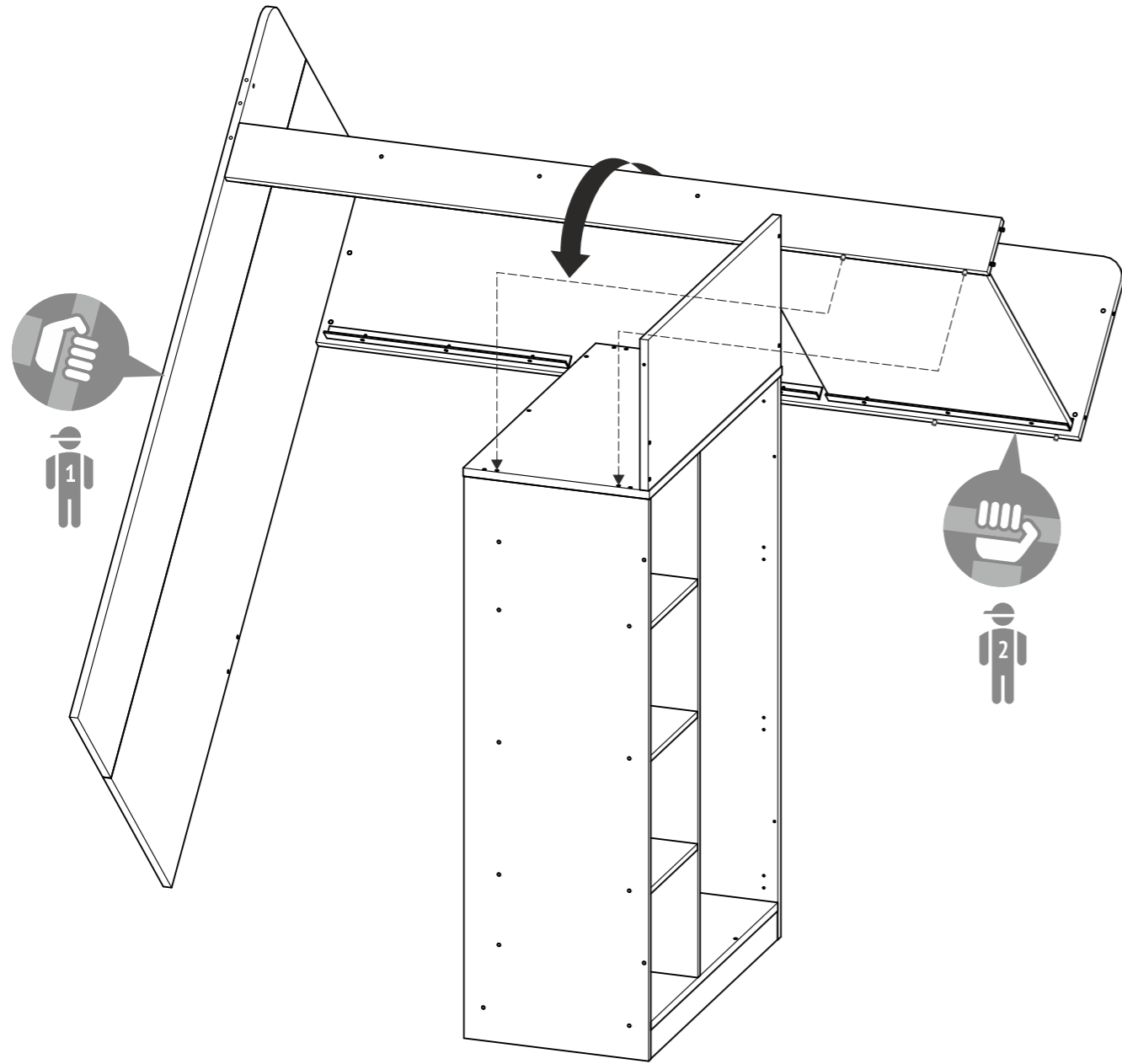
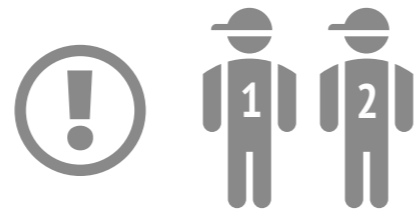
8



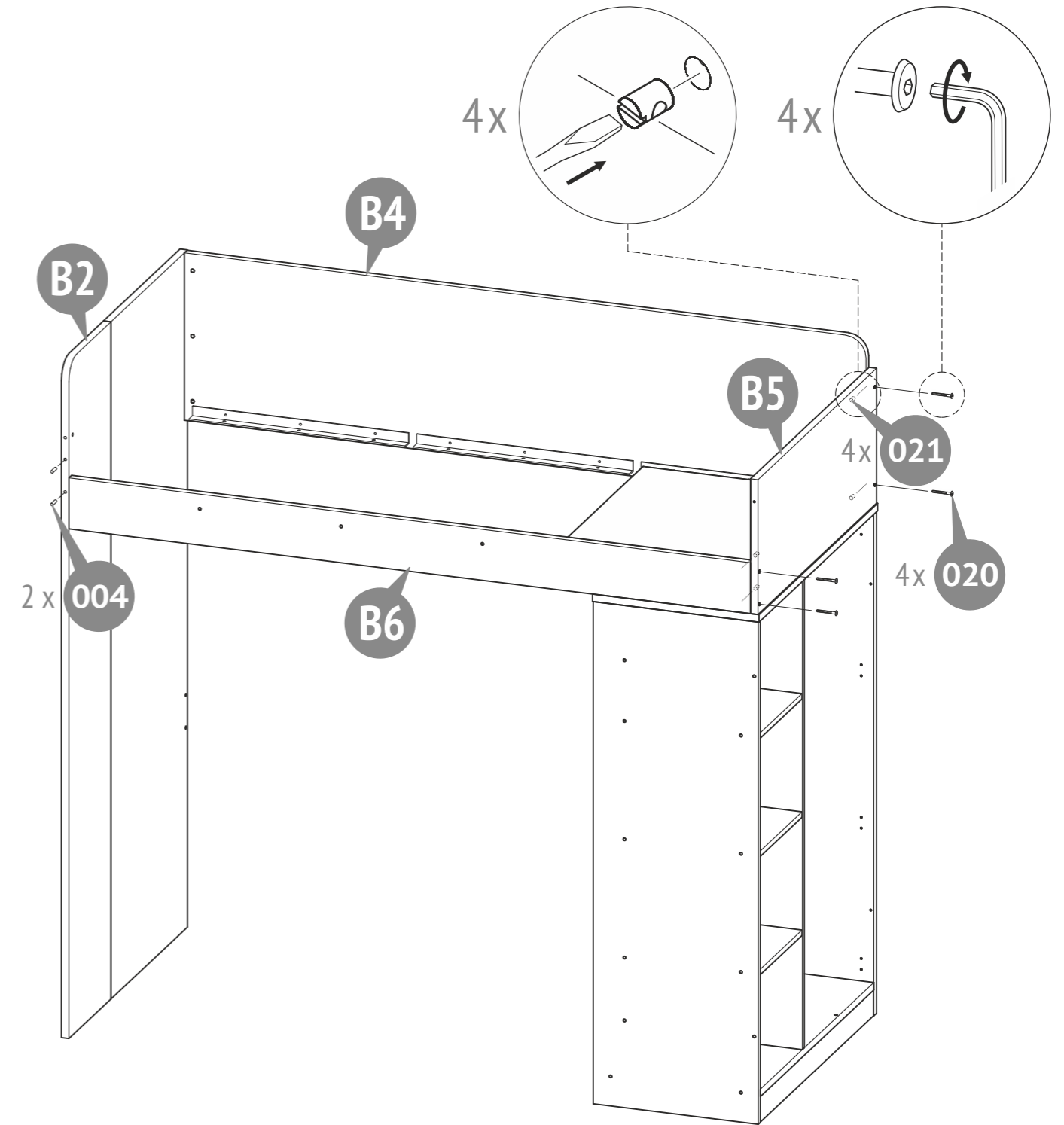
9



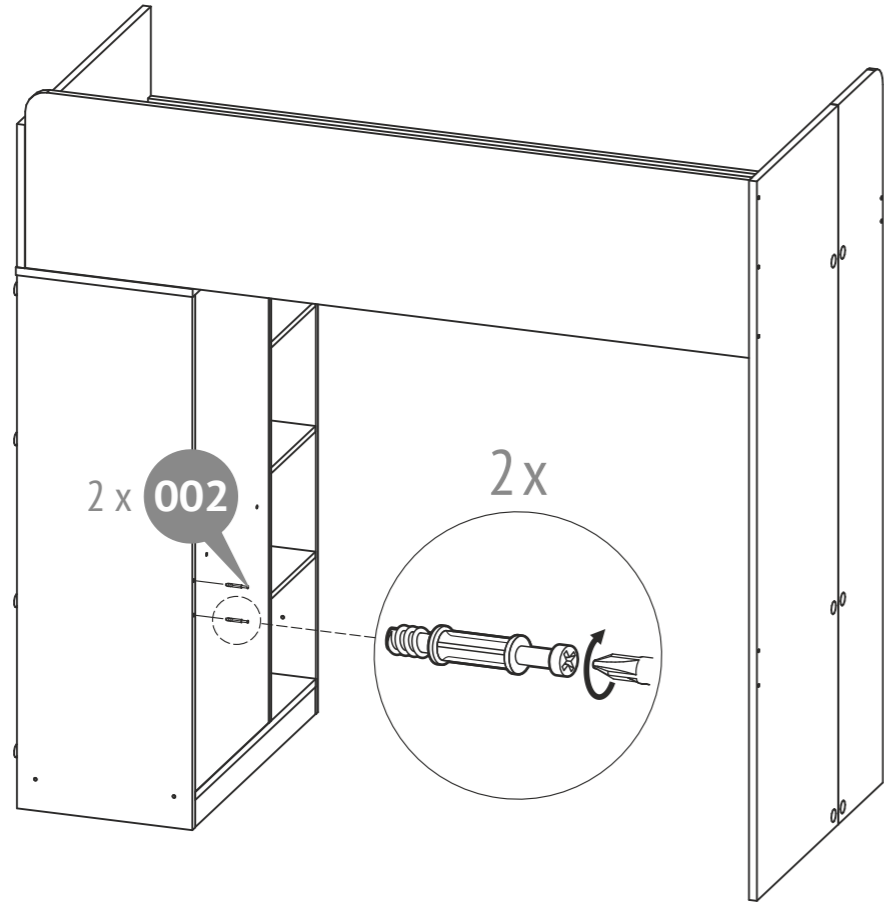
10



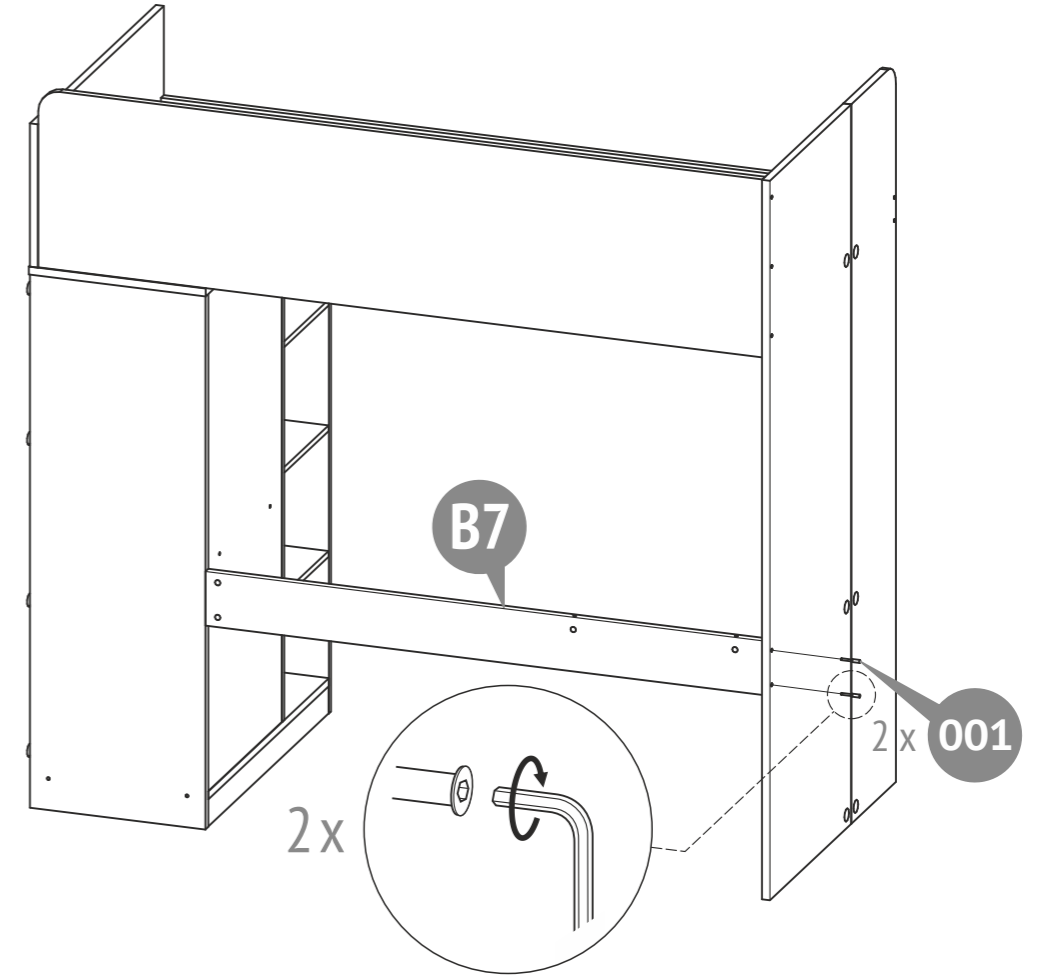
11



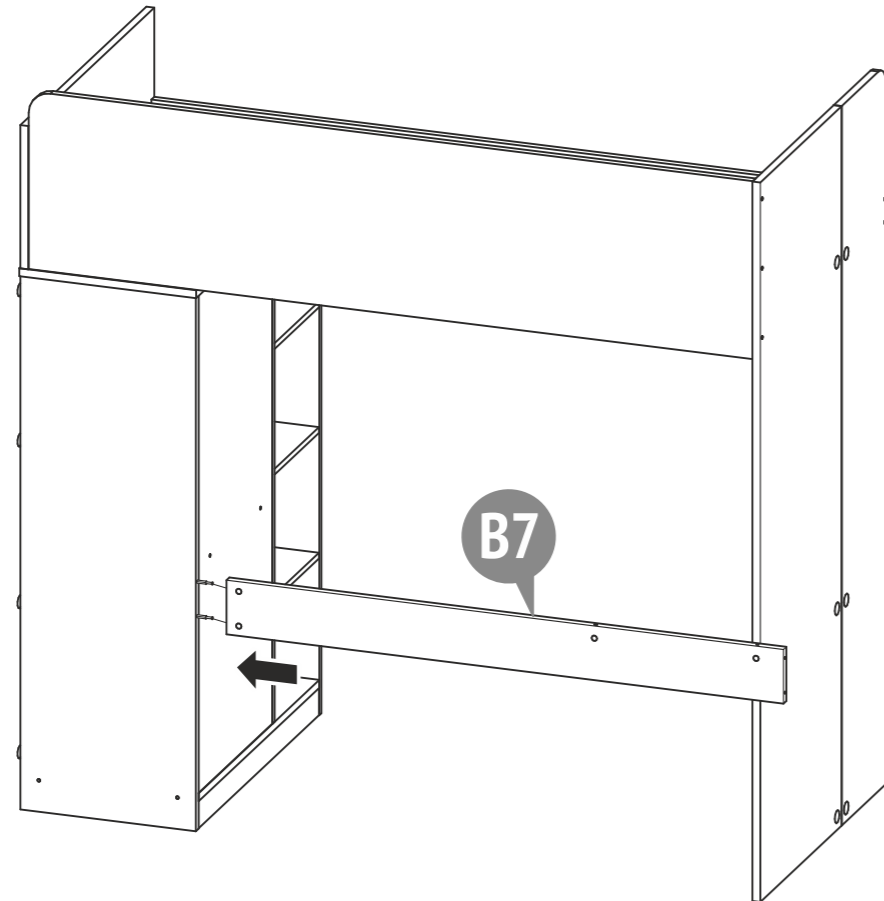
12



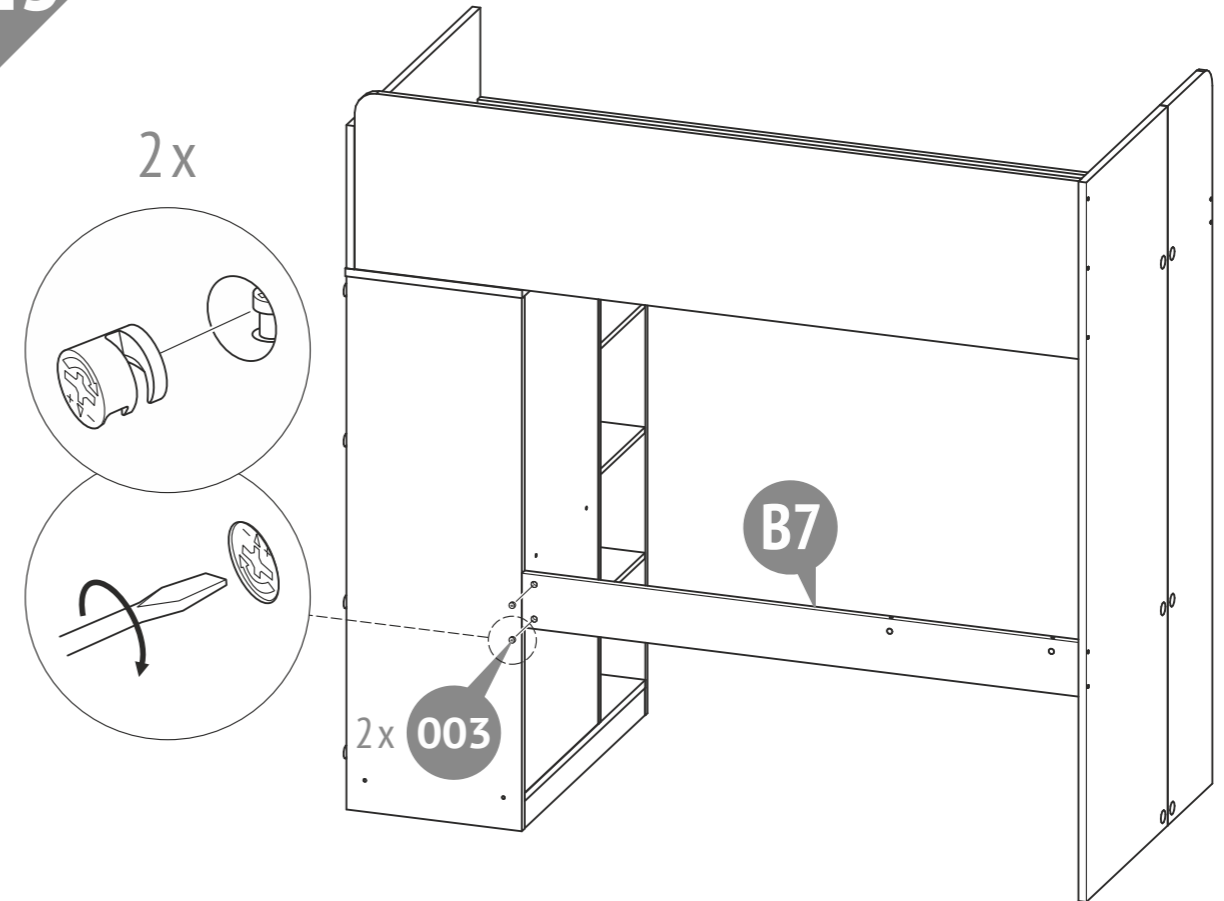
14



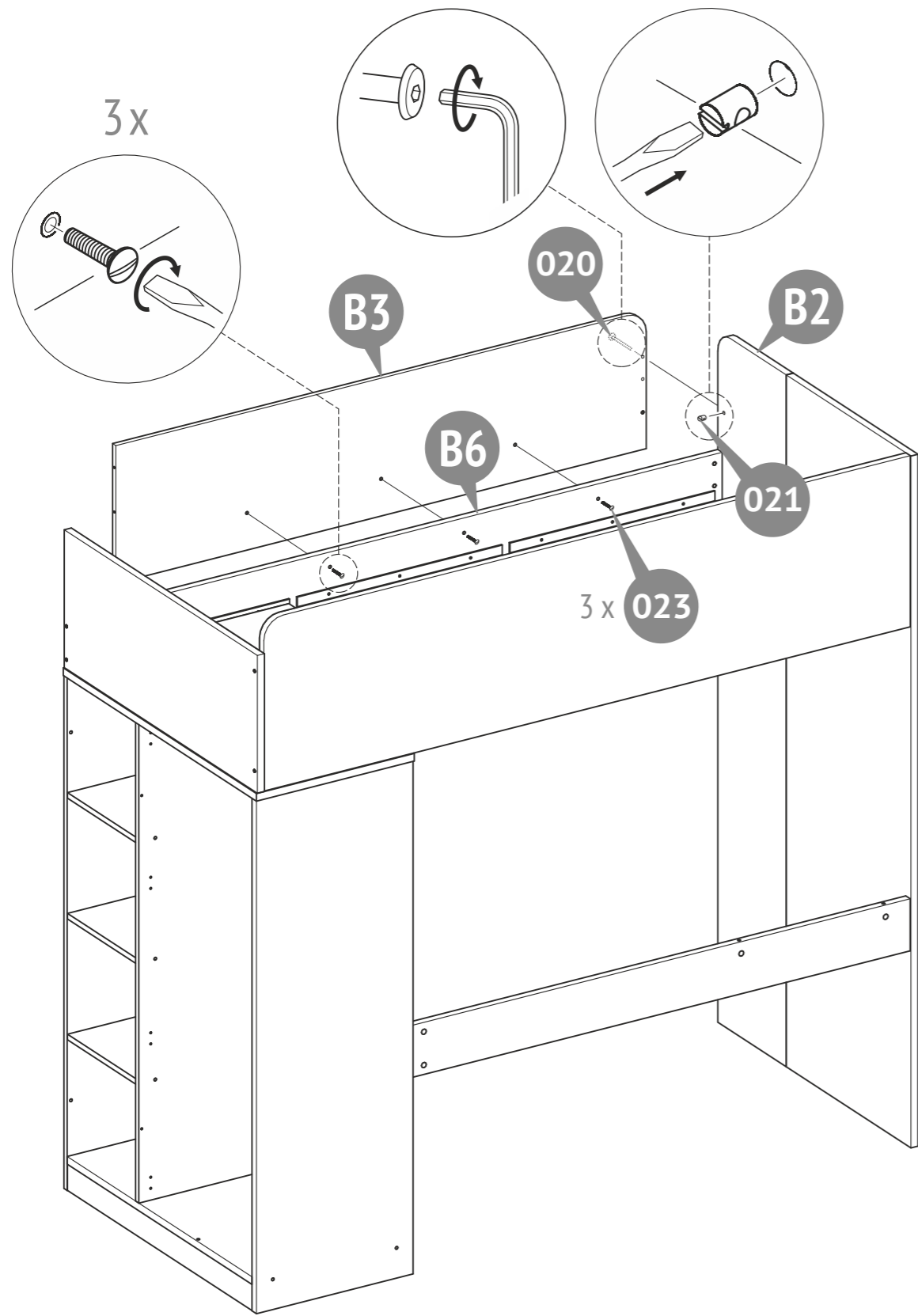
13



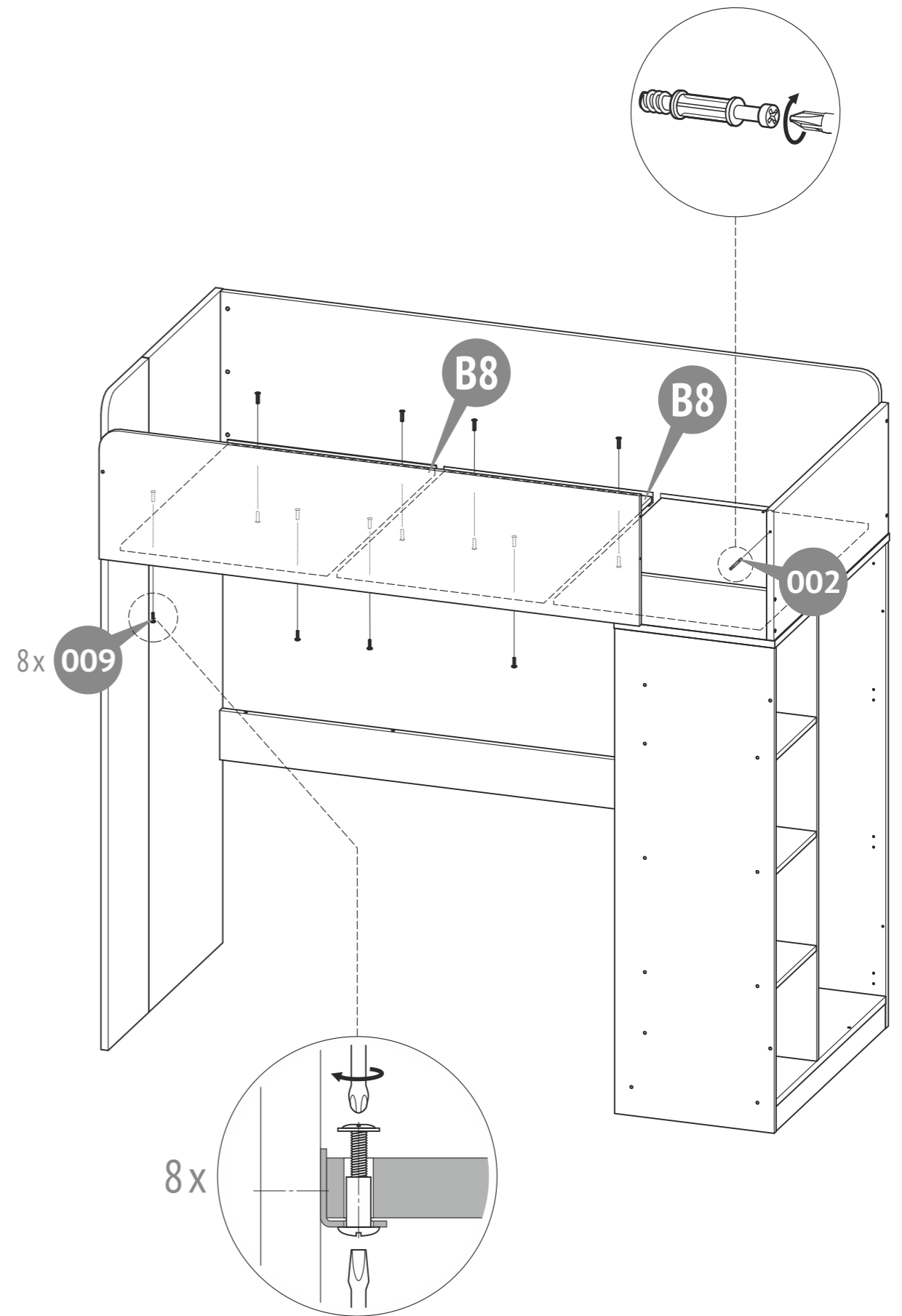
15



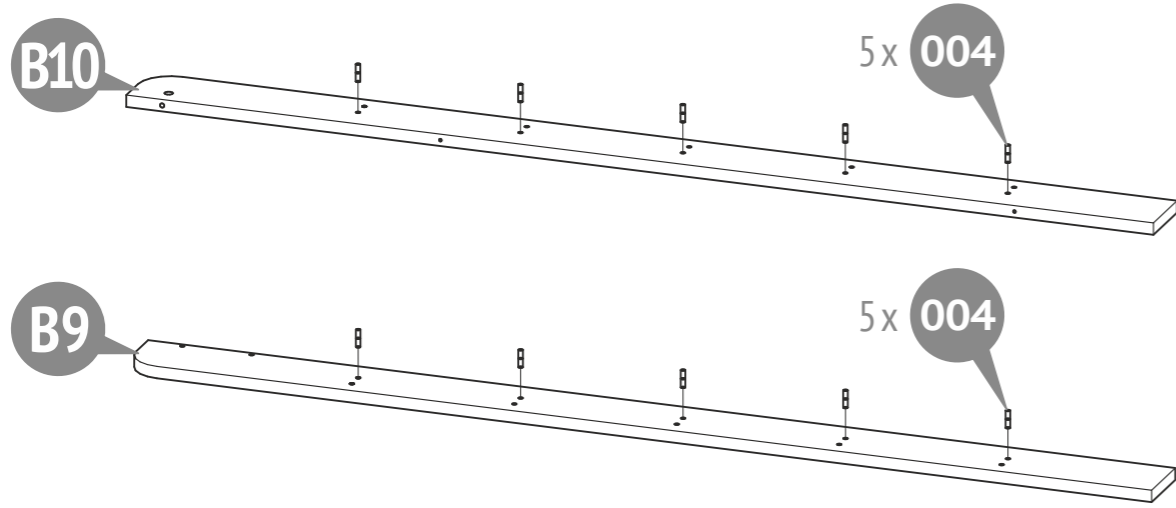
16



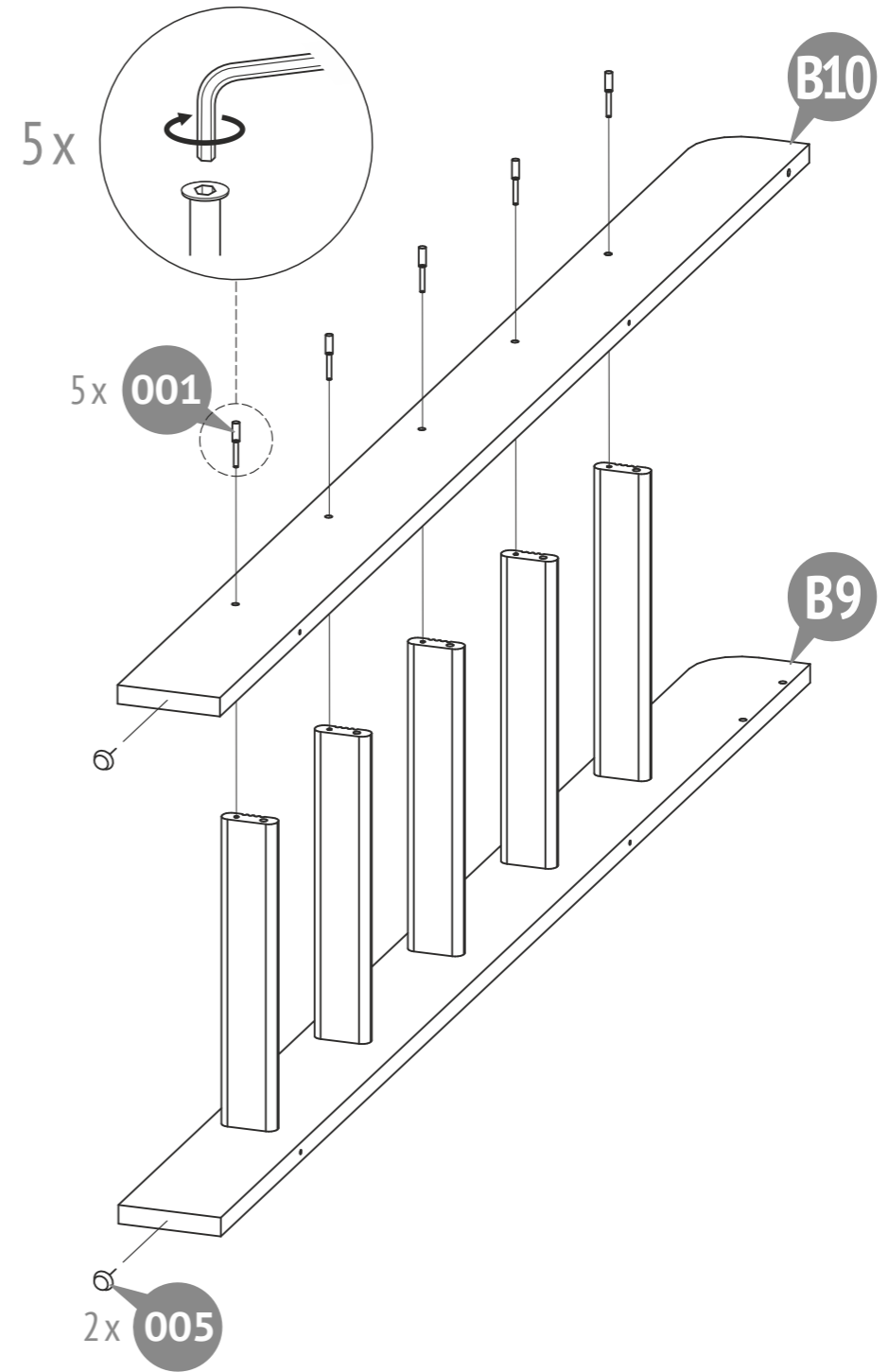
17



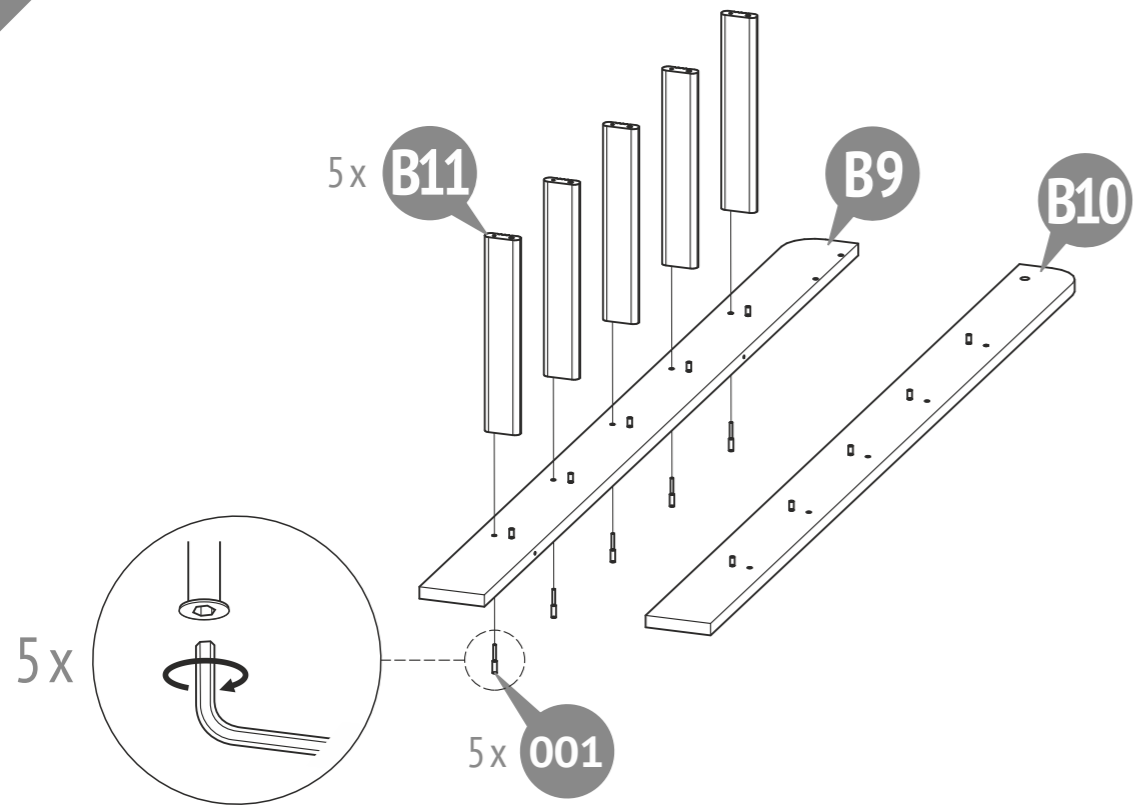
18



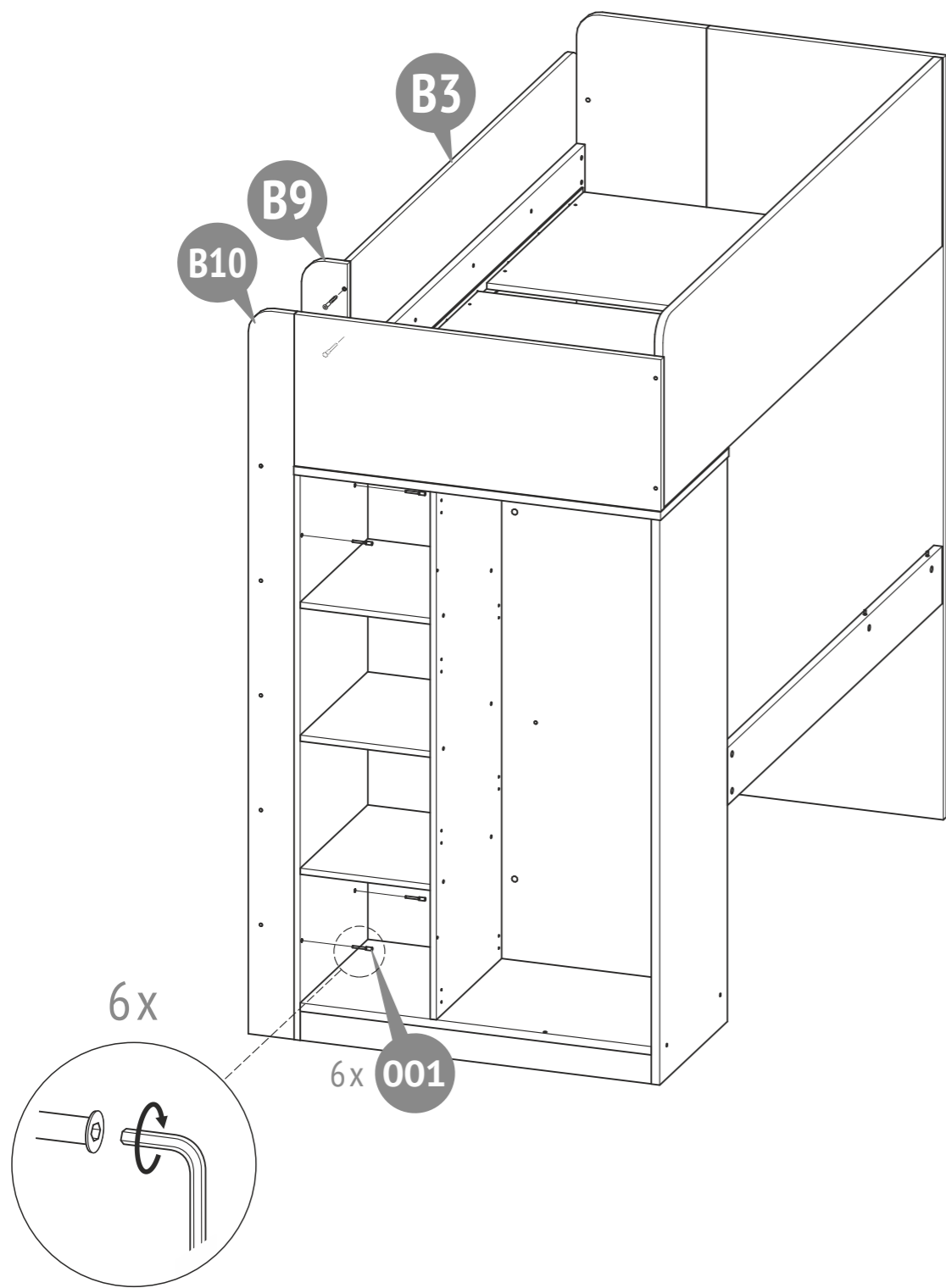
20



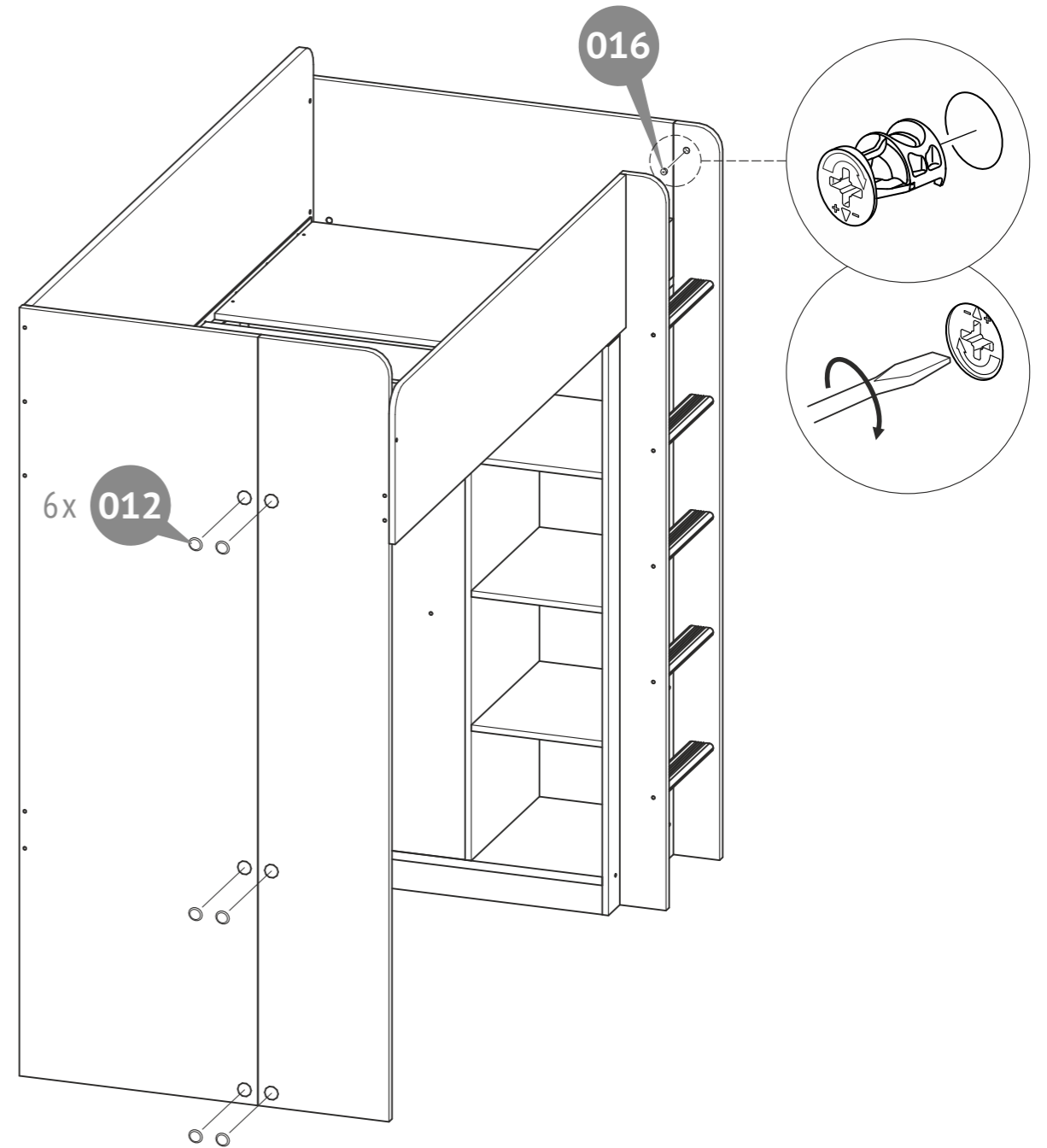
19



21



22



Please dispose of all packaging safely.

General Care & Maintenance

Wipe clean with a slightly damp cloth.
Avoid the use of all household cleaners and abrasives.

Periodically check all screw & fixings to ensure they are secure.
When moving your product, carefully lift into place. Never drag or push the product across the floor as this will cause damage to the joints. If the product is used on hard flooring, such as wood or laminated floor, you must place some protection under the legs to stop the product from moving. If this is not adhered to, it could result in failure to the product that will invalidate the warranty.

For more information on cleaning and product care visit:
<https://www.happybeds.co.uk/help-and-advice>

Notes

We've tried to make this product as easy to assemble as possible. In the unlikely event that you have problems putting it together or have damaged or missing pieces, please contact us by visiting:

<https://www.happybeds.co.uk/customer-service>



www.happybeds.co.uk

