



Assembly Instructions

Loft Station White Wooden Bookcase



Important before assembly:

Read these instructions carefully before assembling or using the product.

Please check the contents of the boxes before attempting to assemble this product. The instructions will have a checklist of parts and fittings.

It would be sensible to lay a rug or a carpet on the floor where you intend to assemble the product, to avoid scratches and damaging the product or the floor.

Assemble the product as close to its intended final location/room as possible.

Do NOT use any power tools as this may damage the frame.

Health & Safety:

This product or some parts of this product will be heavy. Please use an assistant when lifting.

Please keep small parts out of reach of children.

Always use on a level, even surface.

DO NOT jump on the product or any of its parts.

DO NOT use this product if any parts are missing, damaged or worn.

DO NOT use this product unless all fixings are secured.

Please keep these instructions for future reference.



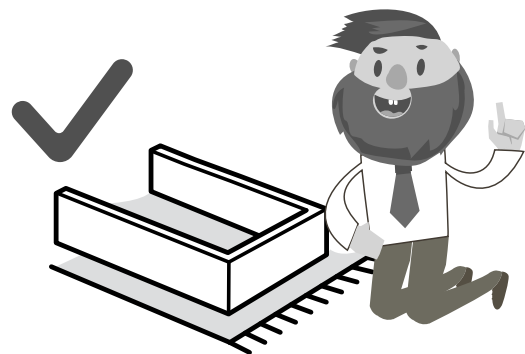
(Not metal)

These tools are not necessary, but may help to assemble certain parts of the product.

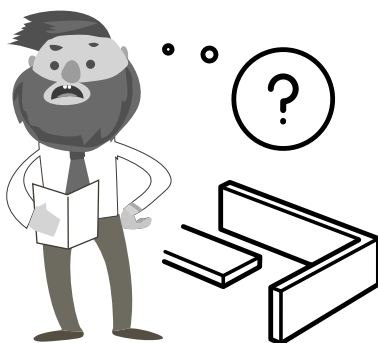
Do NOT use any power tools as this may damage the frame.



This product or some parts of this product will be heavy. Please use an assistant when lifting.

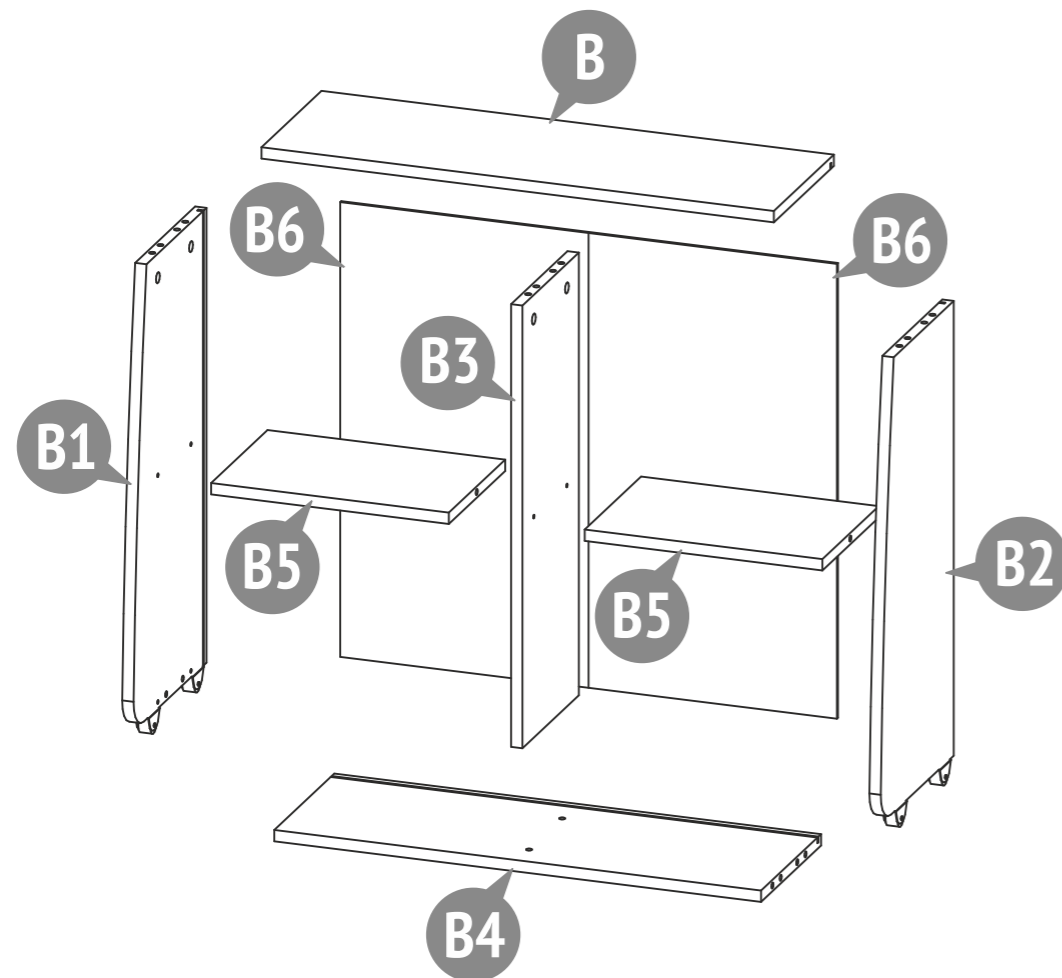


Never drag or push the pieces across a hard or stone floor as this will cause damage to the joints. Use a carpet or a rug for extra care.




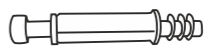
If you have problems assembling or have damaged or missing pieces, please contact us by visiting:


<https://www.happybeds.co.uk/customer-service>





Number on the picture Nummer in der Zeichnung Nombre à la figure Numero en el dibujo Il numero alla figura Número na figura	Number of parts in the product Stückzahl der Teile im Produkt Nombre des détails du produit Cantidad de elementos del producto La quantità dei dettagli nel prodotto Quantidade de peças	Parts description Bezeichnung Names des pièces	Nombre de los elementos La nomenclatura dei dettagli Designação das peças	Laying Verpackung Pose	El embalaje Posa Estilo
				Box / Karton / Placer / Lugar / Il posto / Espaço	
				1	
B	1	Cover Deckel Capot	Cubierta Cappuccio Cobertura		•
B1	1	Support Unterstützung Appui	Sostén Traversa Apoio		•
B2	1	Support Unterstützung Appui	Sostén Traversa Apoio		•
B3	1	Support Unterstützung Appui	Sostén Traversa Apoio		•
B4	1	Bottom Boden Fond	Fondo Fondo Fundo		•
B5	2	Shelf Regal Plateau	Estante Ripiano Estante		•
B6	2	Rear wall Rückwand Paroi arrière	Pared trasera Parete posteriore Parede traseira		•
	1	Set of fittings Satz Beschläge Kit d'accessoires	Conjunto de los accesorios Il completo della fornitura Kit de ferragens		•

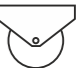
001 2 x 
 Confirmat screw 7 x 50
 Confirmat Schraube 7 x 50
 Vis confirmer 7 x 50
 El tornillo de rosca gruesa 7 x 50
 Il vito confirmado 7 x 50
 Parafuso confirmat 7 x 50

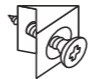
002 16 x 
 Eccentric pin
 Exzenterstift
 Tige d'excentrique
 El pasador excéntrico
 La barra dell'eccentrico
 Rosca soberba


003 16 x 
 Eccentric
 Exzenter
 Excentrique
 El excéntrico
 L'eccentrico
 Tambor

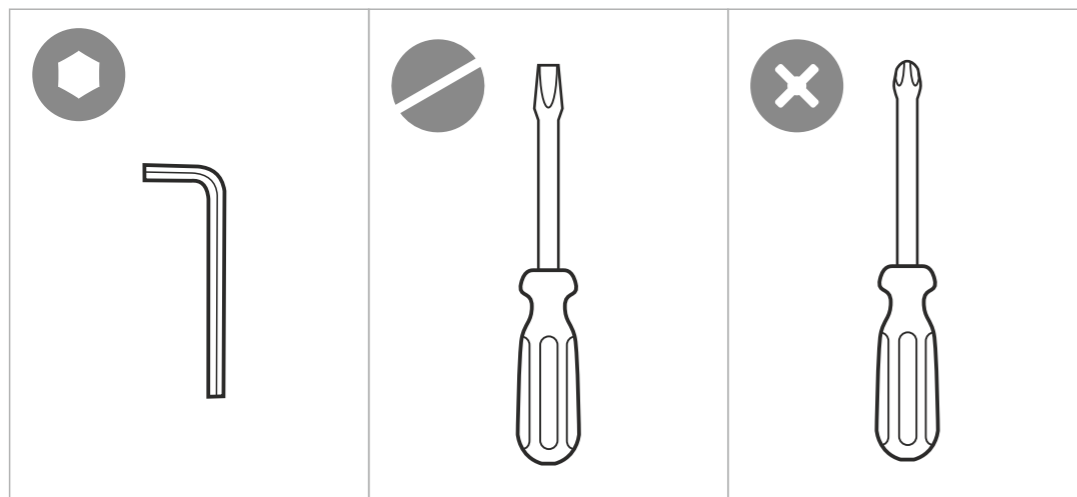
004 10 x 
 Dowel 8 x 30
 Holzdübel 8 x 30
 Goujons 8 x 30
 La clavija 8 x 30
 La spina 8 x 30
 Cavilha 8 x 30

005 12 x 
 Screw 4 x 13
 Holzschraube 4 x 13
 Vissez 4 x 13
 El tornillo 4 x 13
 La vite 4 x 13
 Parafuso 4 x 13

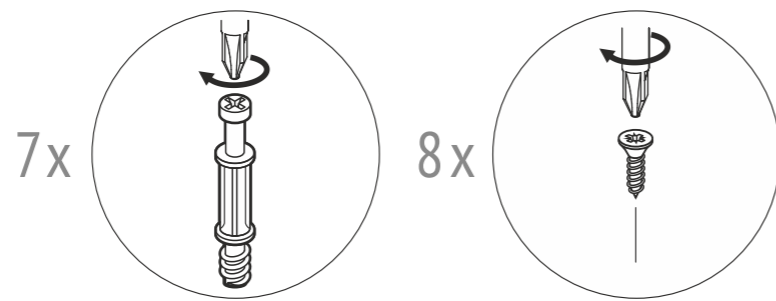
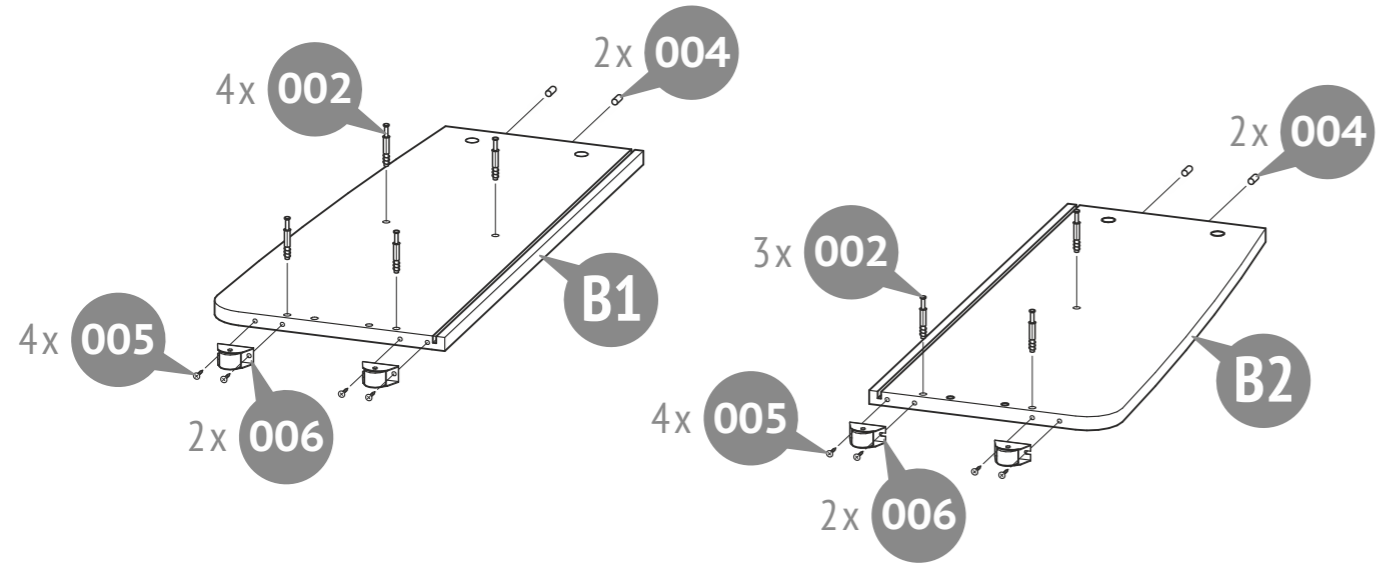
006 4 x 
 Roller wheel
 Rolle Rad
 Rouleau de roue
 Rodillo de rueda
 Rullo di ruota
 Rolamento de roda

007 8 x 
 Rear wall mounting
 Rückwandbefestigung
 Fixateur de la paroi arrière
 La lengüeta de la parte posterior de la pared
 Il fissatore della parete posteriore
 Fixador de parede traseira

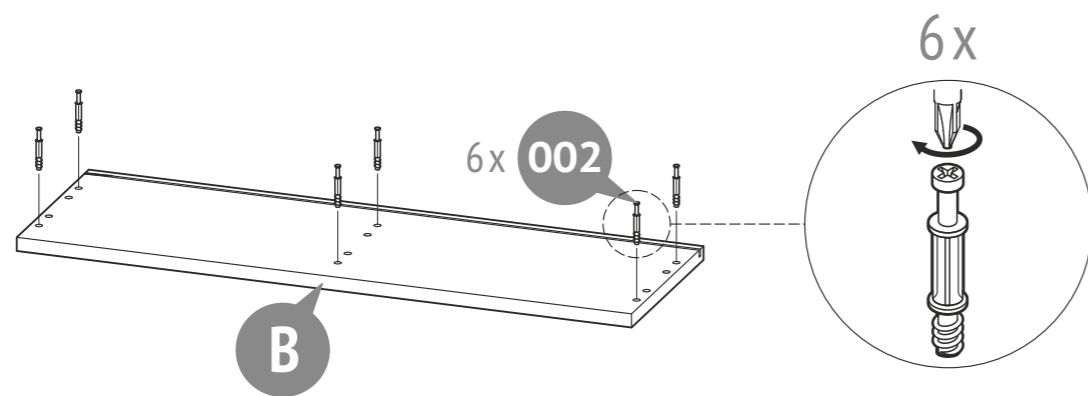
008 4 x 
 Conical shim
 Konus Unterlegscheibe
 Rondelle conique
 Arandela cónica
 Rondella conica
 Arruela cónica



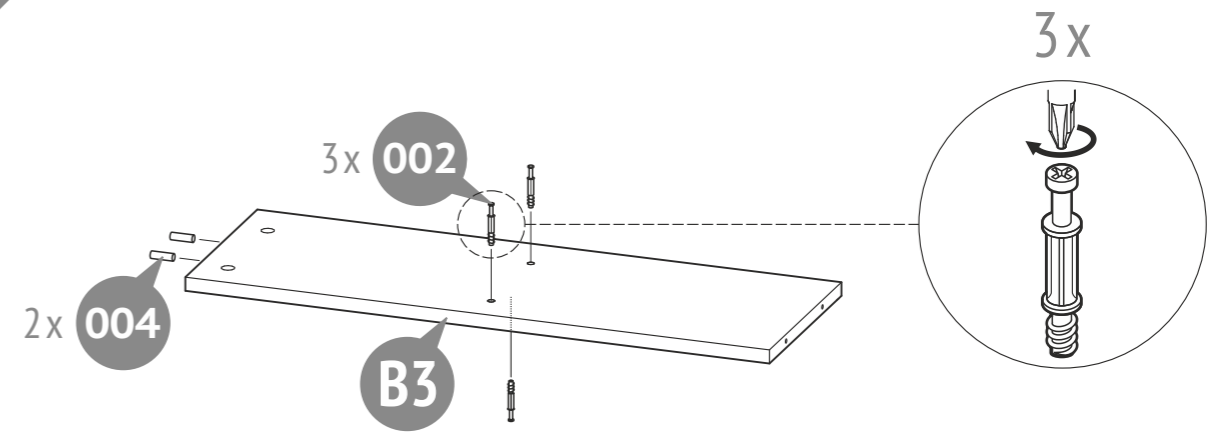
1



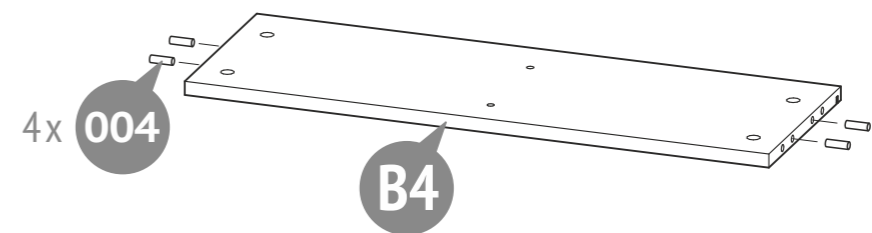
2



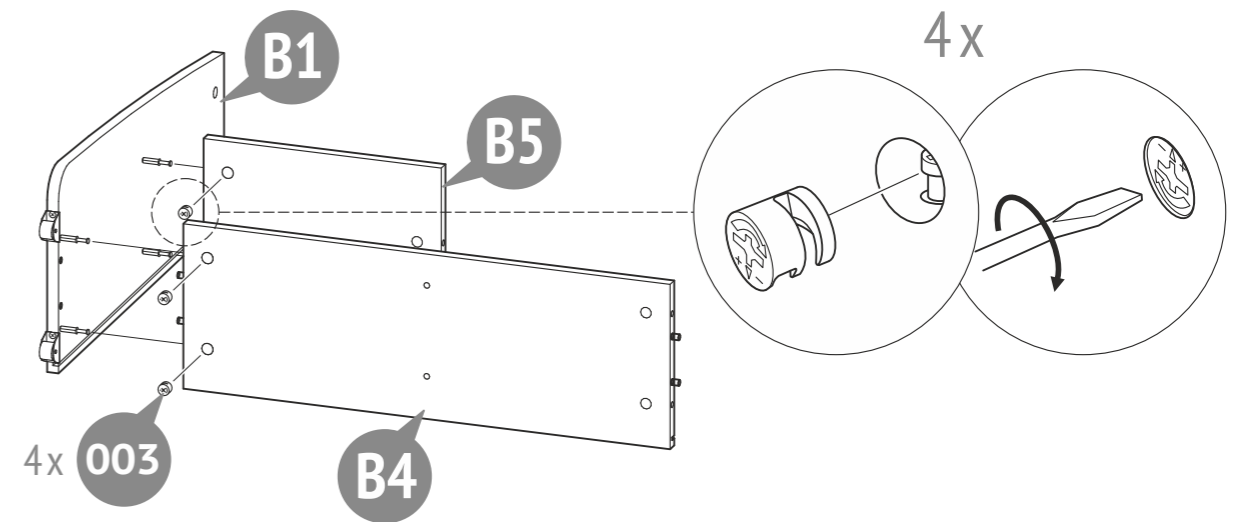
3



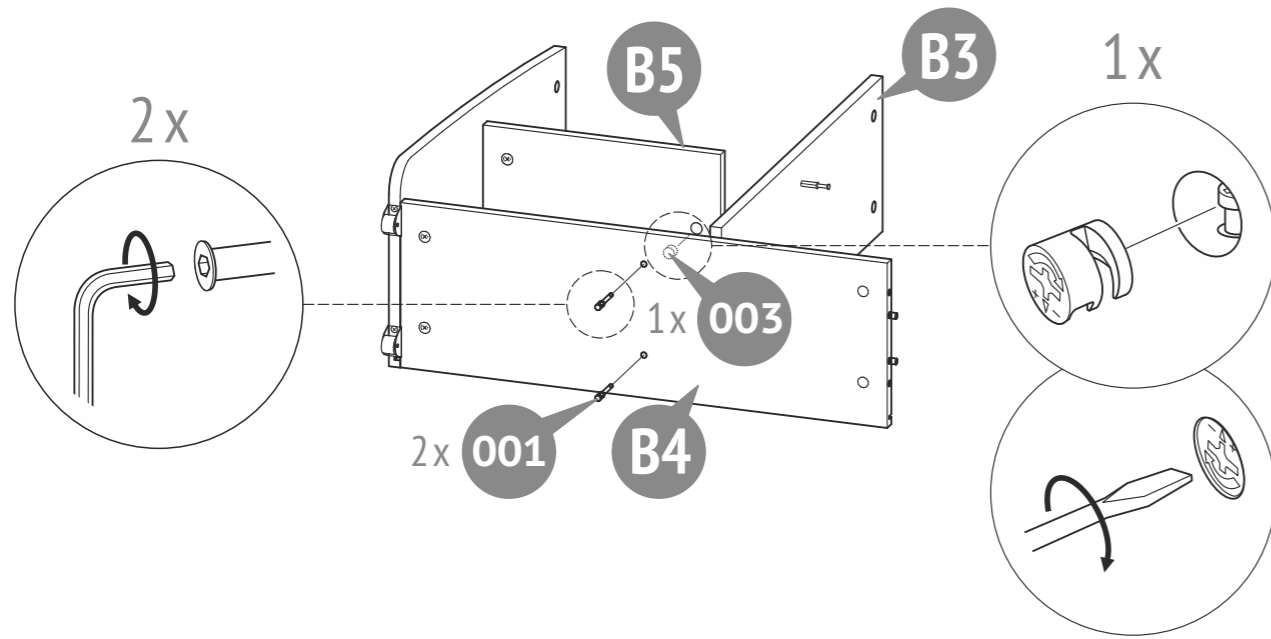
4



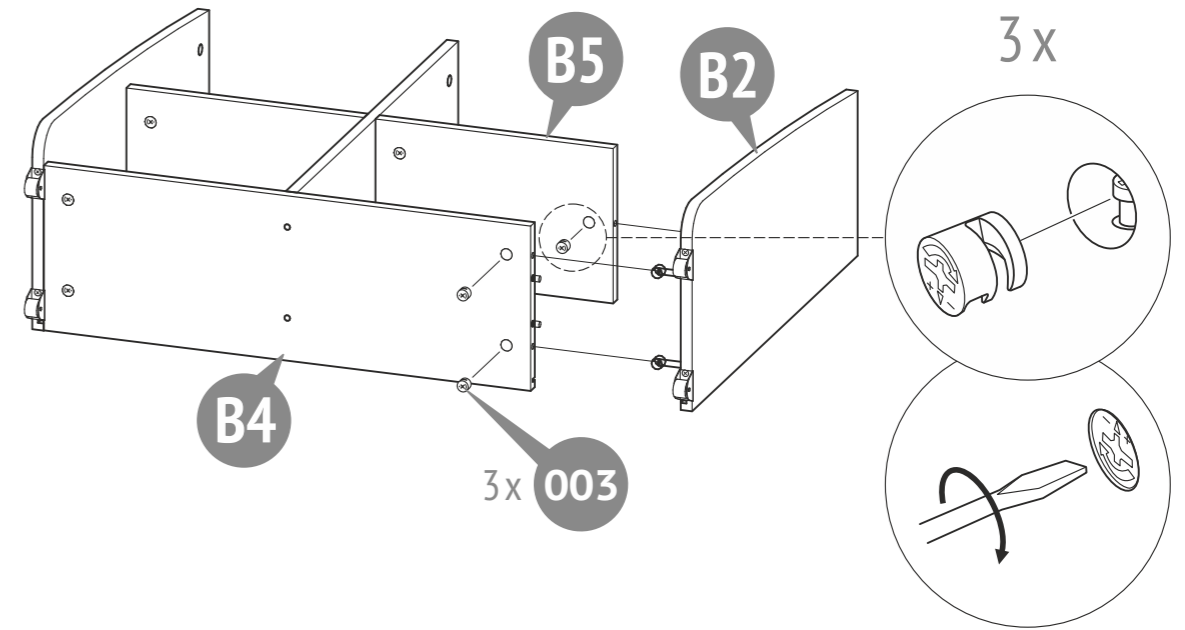
5



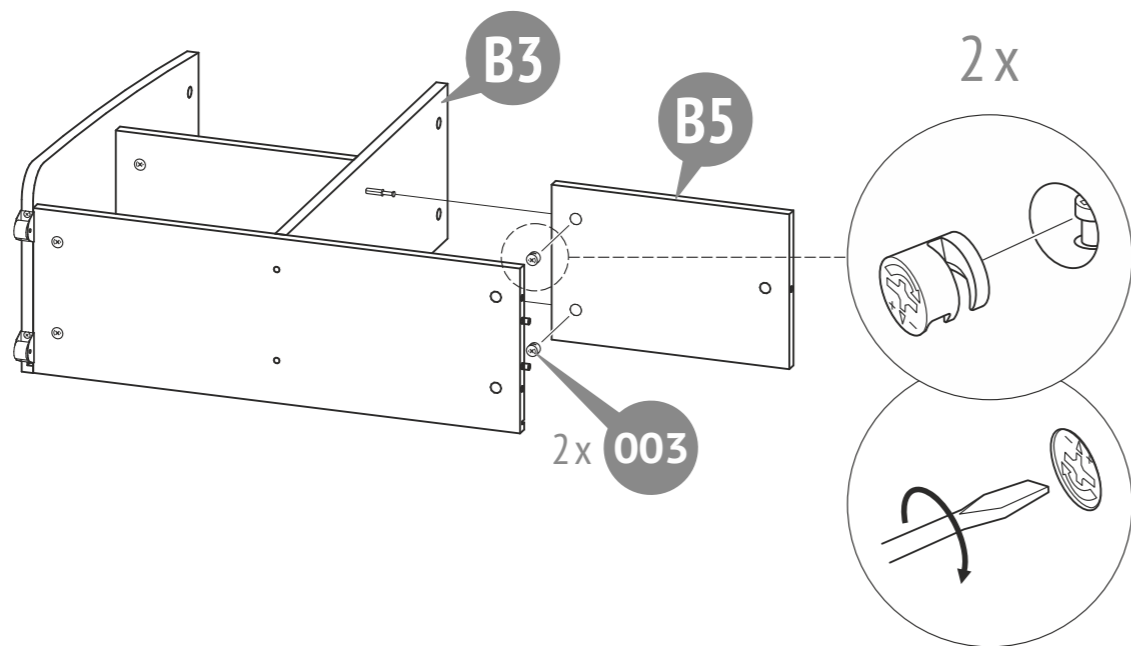
6



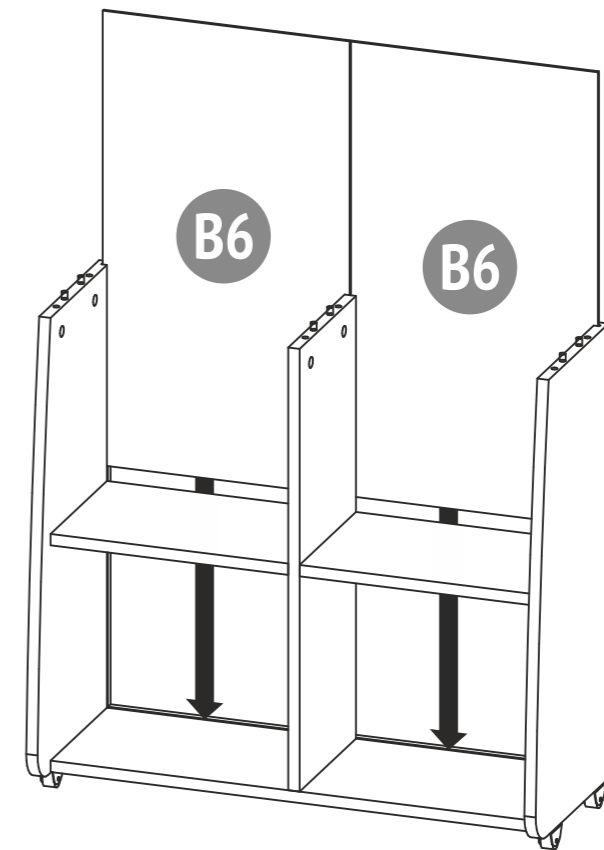
8

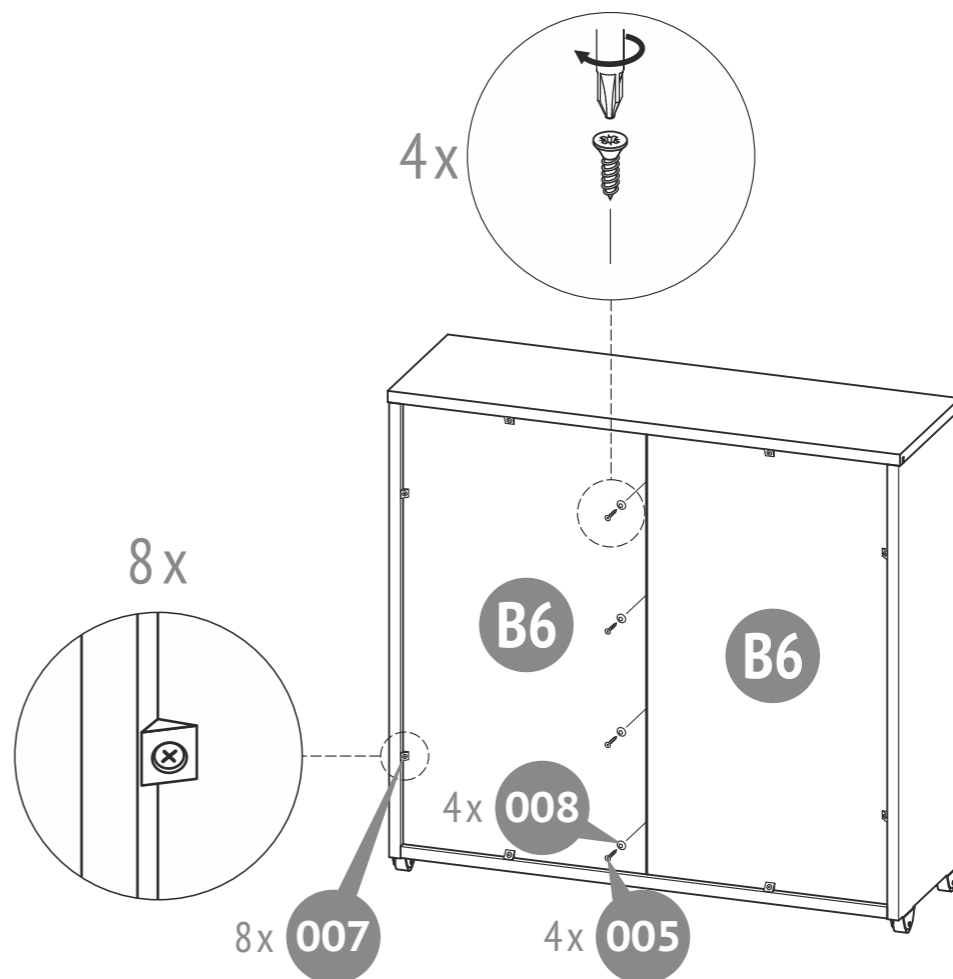
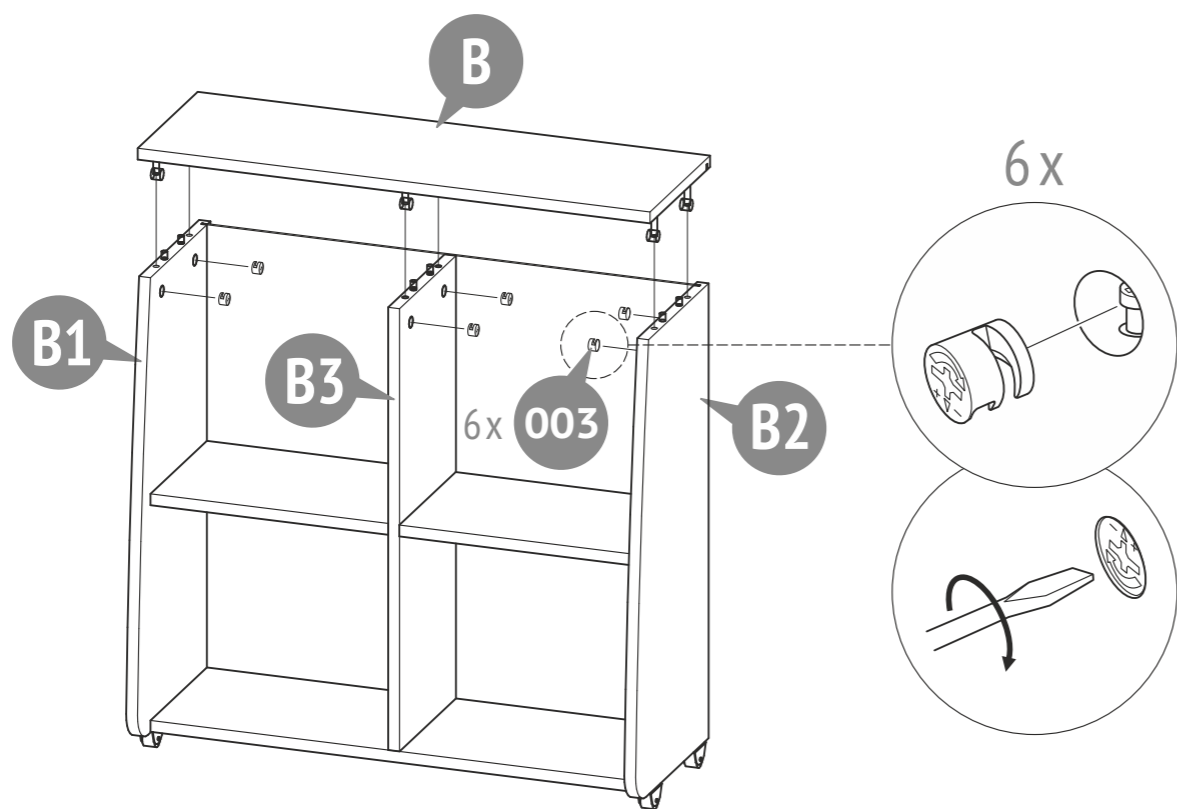


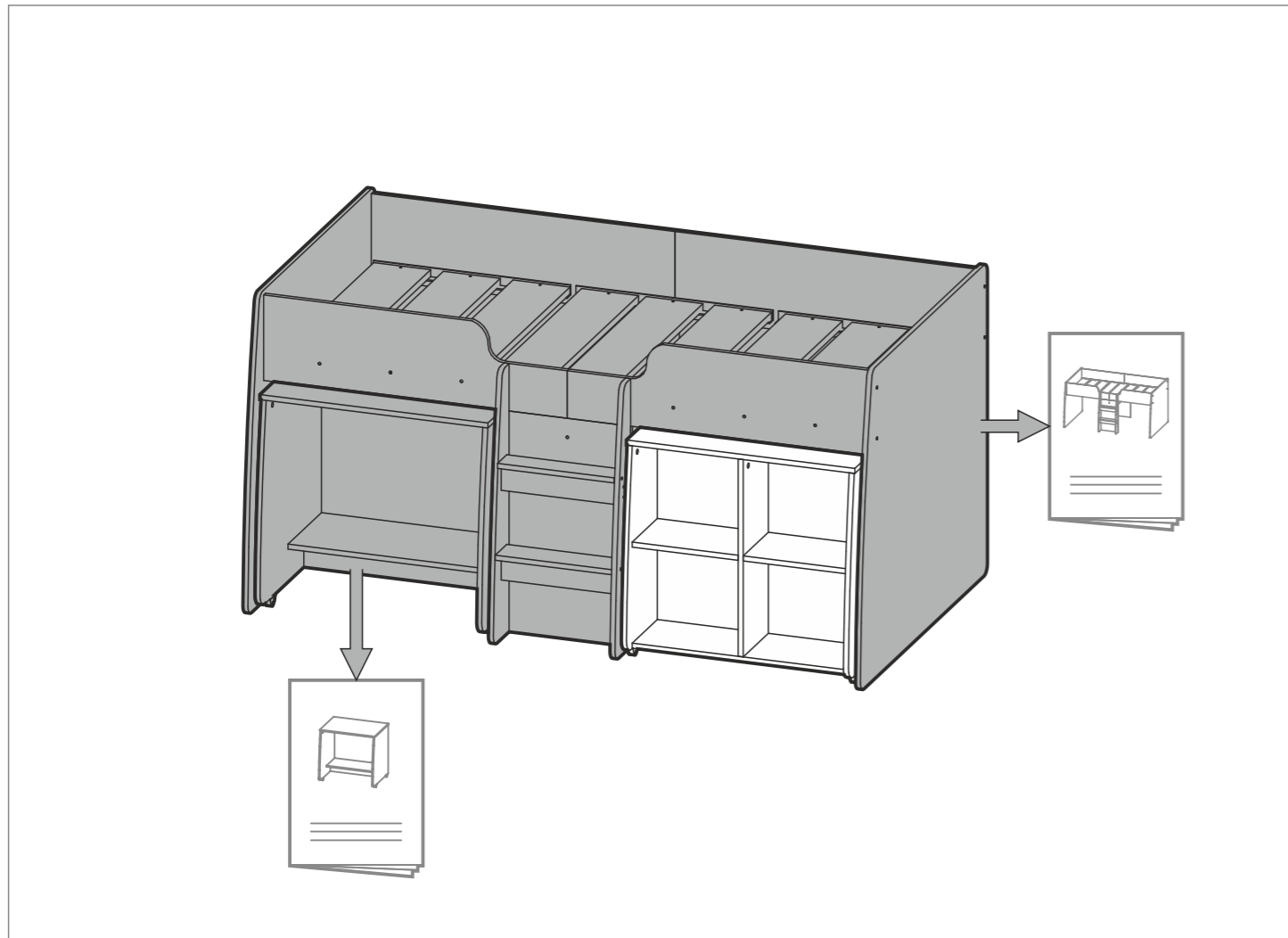
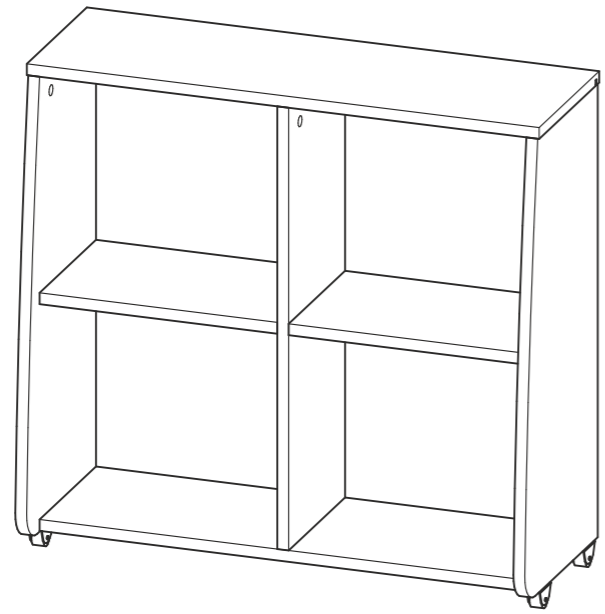
7



9







Please dispose of all packaging safely.

General Care & Maintenance

Wipe clean with a slightly damp cloth.
Avoid the use of all household cleaners and abrasives.

Periodically check all screw & fixings to ensure they are secure.
When moving your product, carefully lift into place. Never drag or push the product across the floor as this will cause damage to the joints. If the product is used on hard flooring, such as wood or laminated floor, you must place some protection under the legs to stop the product from moving. If this is not adhered to, it could result in failure to the product that will invalidate the warranty.

For more information on cleaning and product care visit:
<https://www.happybeds.co.uk/help-and-advice>

Notes

We've tried to make this product as easy to assemble as possible. In the unlikely event that you have problems putting it together or have damaged or missing pieces, please contact us by visiting:

<https://www.happybeds.co.uk/customer-service>



www.happybeds.co.uk

