

## Assembly Instructions

### Important before assembly:

Read these instructions carefully before assembling or using the product.

Please check the contents of the boxes before attempting to assemble this product. The instructions will have a checklist of parts and fittings.

Assemble the product as close to its intended final location/room as possible.

### Health & Safety:

This product or some parts of this product will be heavy. Please use an assistant when lifting.

Please keep small parts out of reach of children.

Always use on a level, even surface.

DO NOT jump on the product or any of its parts.

DO NOT use this product if any parts are missing, damaged or worn.

DO NOT use this product unless all fixings are secured.

**Further instructions are on the following pages.**

Please keep these instructions for future reference.



This product or some parts of this product will be heavy. Please use an assistant when lifting.

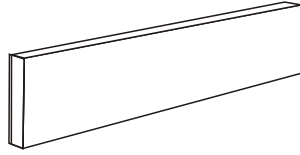


Never drag or push the pieces across a hard or stone floor as this will cause damage to the joints. Use a carpet or a rug for extra care.

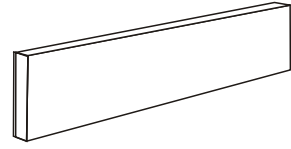


If you have problems assembling or have damaged or missing pieces, please contact our customer services (details at the back of these instructions)

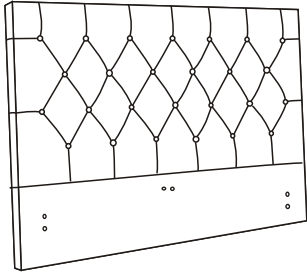
Box 1



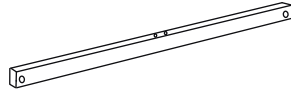
2. Footboard (x1)



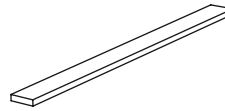
3. Side Rails (x4)



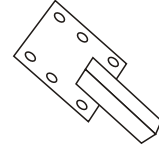
1. Headboard (x1)



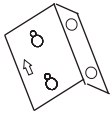
4. Cross Support Bar(x1)



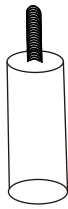
5. Slats(x28)



6. Support Legs under siderails (x2)



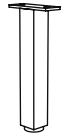
7. Connection plate(x4)



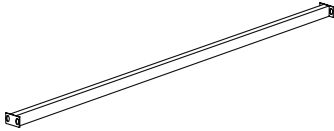
8. Legs(x4)



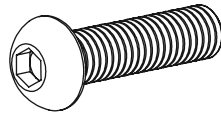
9. Side Rails support bar(x4)



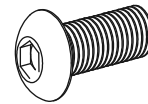
11. Support legs x(3)



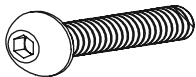
10. Centre Support Rail (x2)



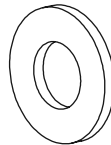
A. M8x30mm Bolts (x14)



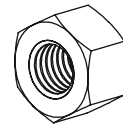
B. M8x20mm Bolts (x20)



D. M6x35mm Bolts (x12)



E. Flat Washer (X28)



N. Nuts (x8)



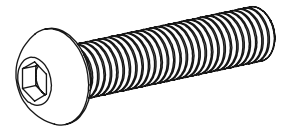
F. Spring Washer (x8)



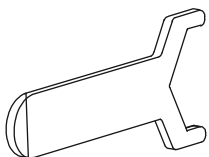
G. M5 Allen Key (x1)



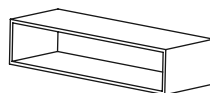
H. M4 Allen Key (x1)



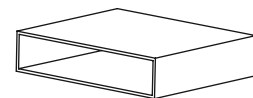
M. M8x40mm Bolts (x8)



I. Spanner (x1)



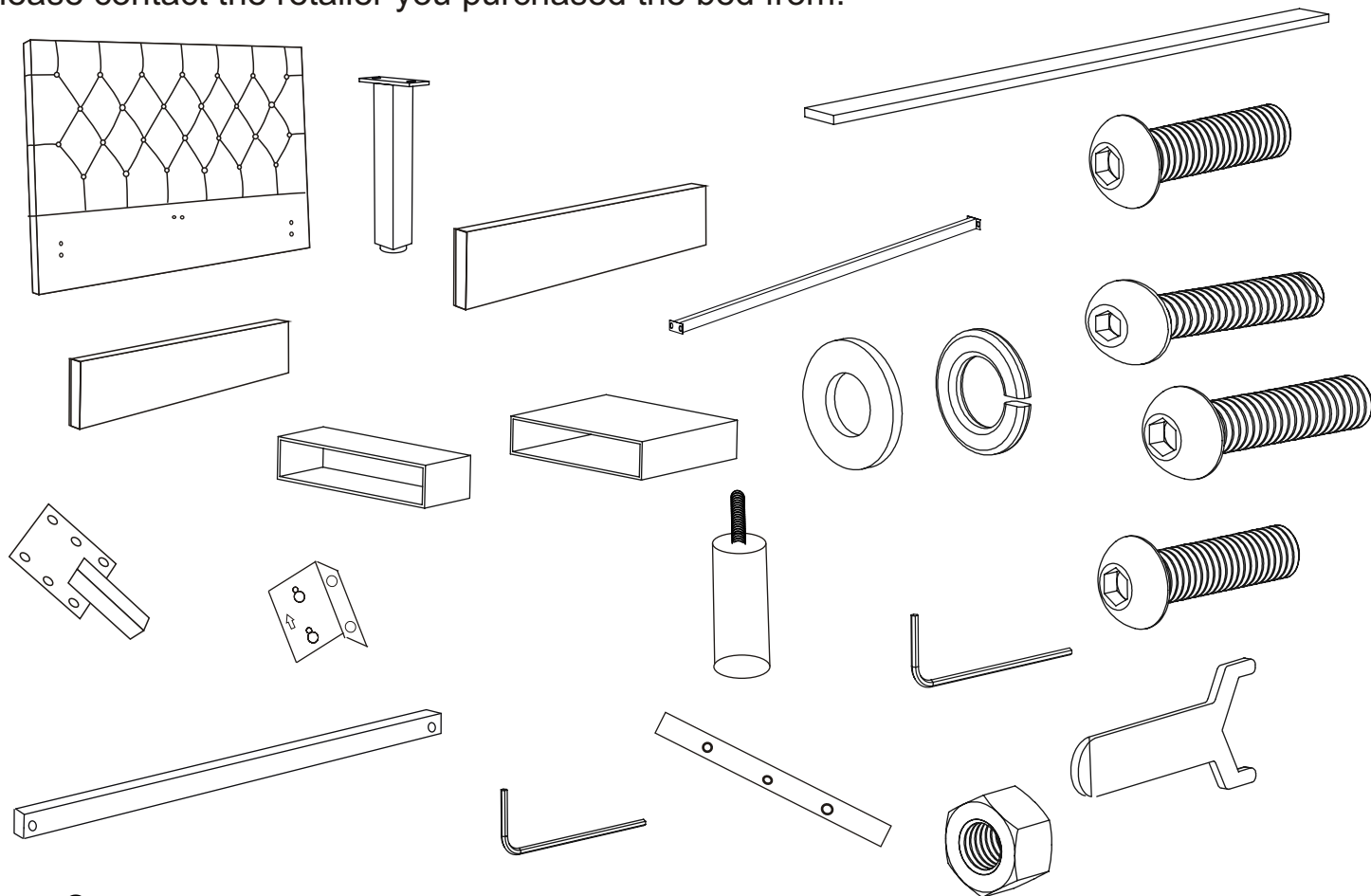
K. Slat Caps (x28)



L. Centre slat caps (x14)

## Step 1

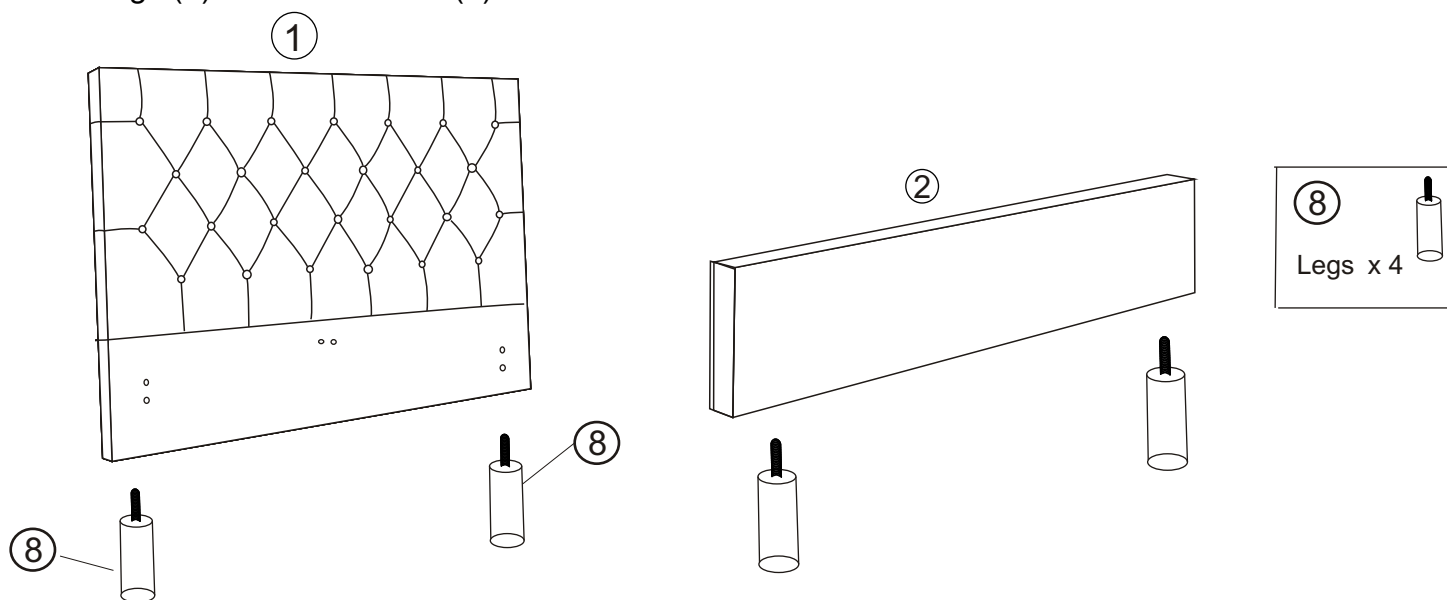
Unpack all components from the boxes and check you are not missing anything. Please check these against the list on page 3. Should you identify any missing components, please contact the retailer you purchased the bed from.



## Step 2

To fix the legs (8) to the headboard (1) .

To fix the legs (8) to the footboard (2)






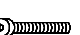

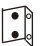
### Step 3:

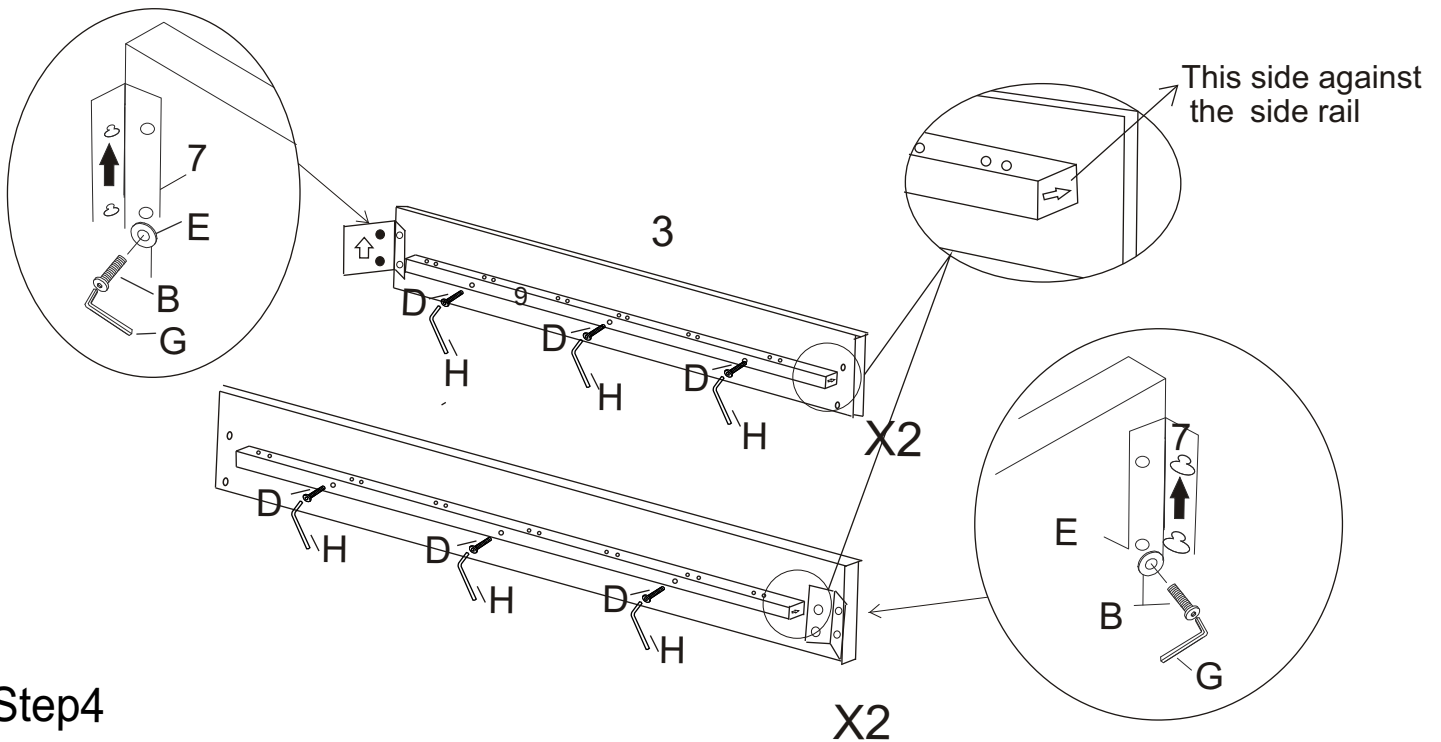
To fix side rails support bar(9)to side rails(3).

You will need to use H,D.

To fix connection plate (7) to the side rails (3) you will need to use hardware parts B, E and G.

Please ensure the bracket is attached in the correct position. Slot holes are positioned ready to attach to the headboard and footboard.

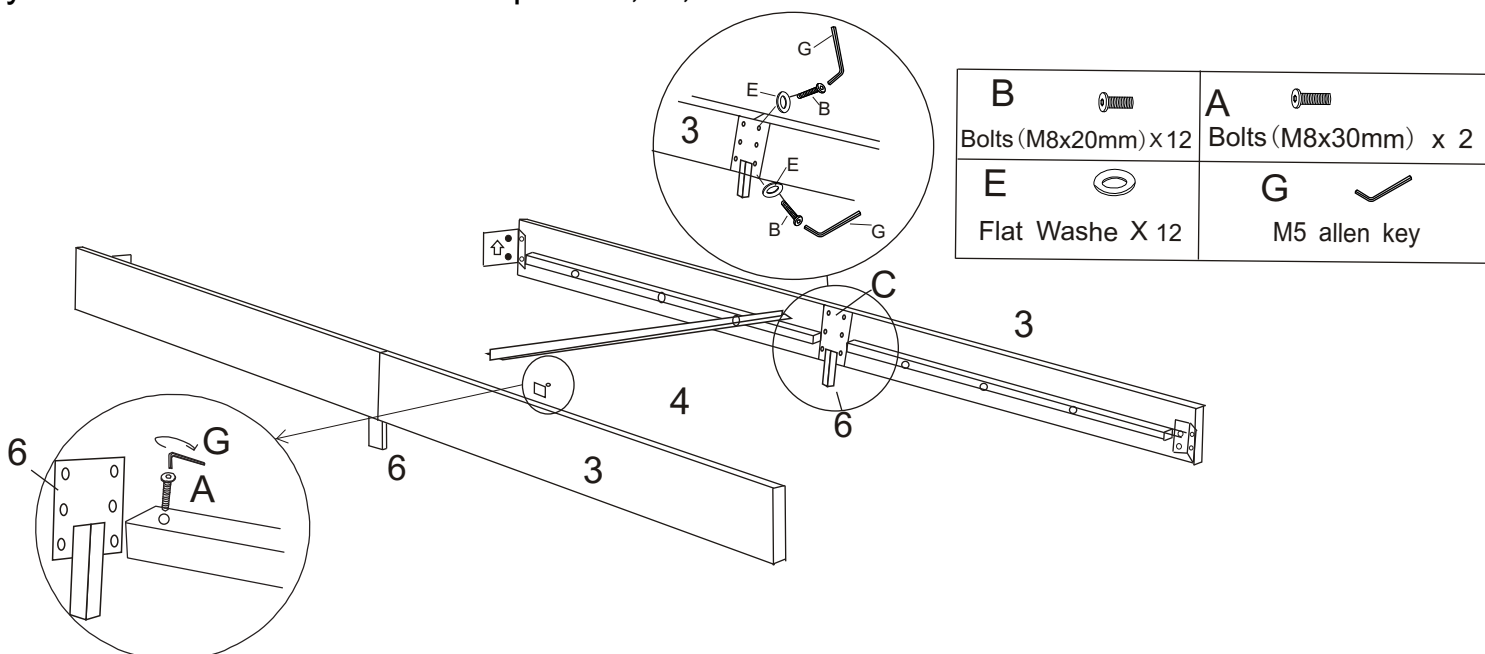
B		H	
Bolts (M8x20mm) x8		M4 Allen Key	
E		D	
Flat Washer x 8		Bolts(M6x35mm) X12	
G		7	
M5 allen key		Connection plate x 4	







### Step4

The cross support legs need to be fitted first, and then the cross bar.

To fix cross support bar(4)and support legs under siderails(6)to the side rails (3) you will need to use hardware parts B, A , E and G.

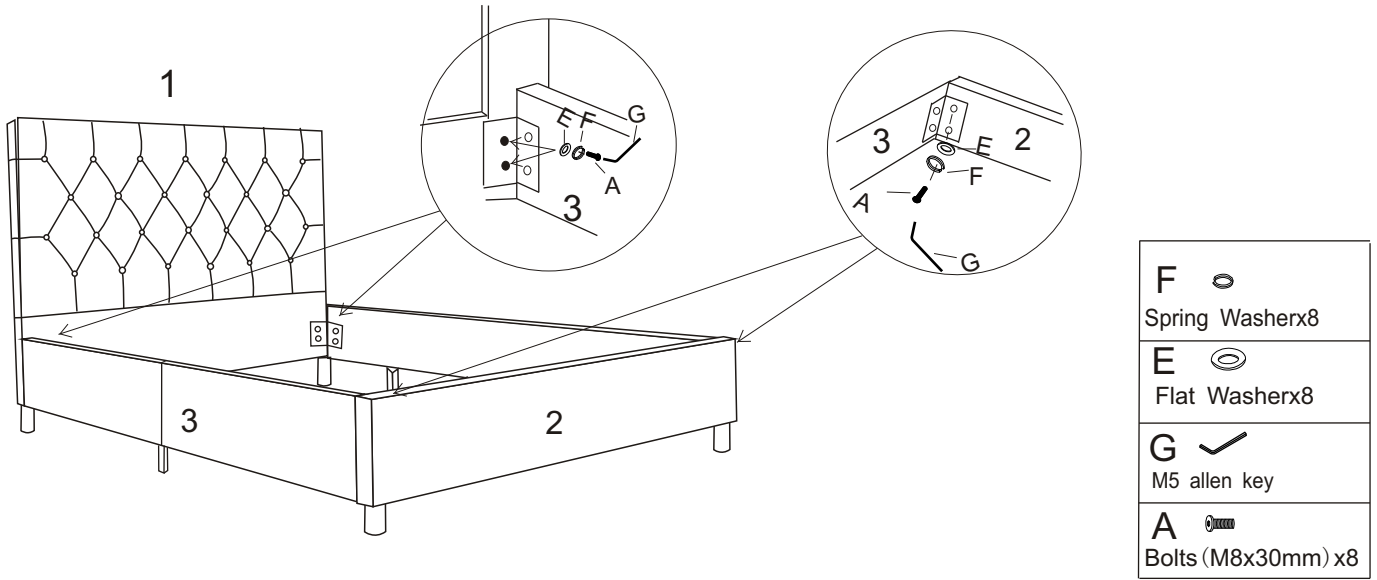


B		A	
Bolts (M8x20mm) x 12		Bolts (M8x30mm) x 2	
E		G	
Flat Washer X 12		M5 allen key	

## Step 5

To attach the side rails (3) to the footboard (2) you will need to use hardware parts A, E, F and G.

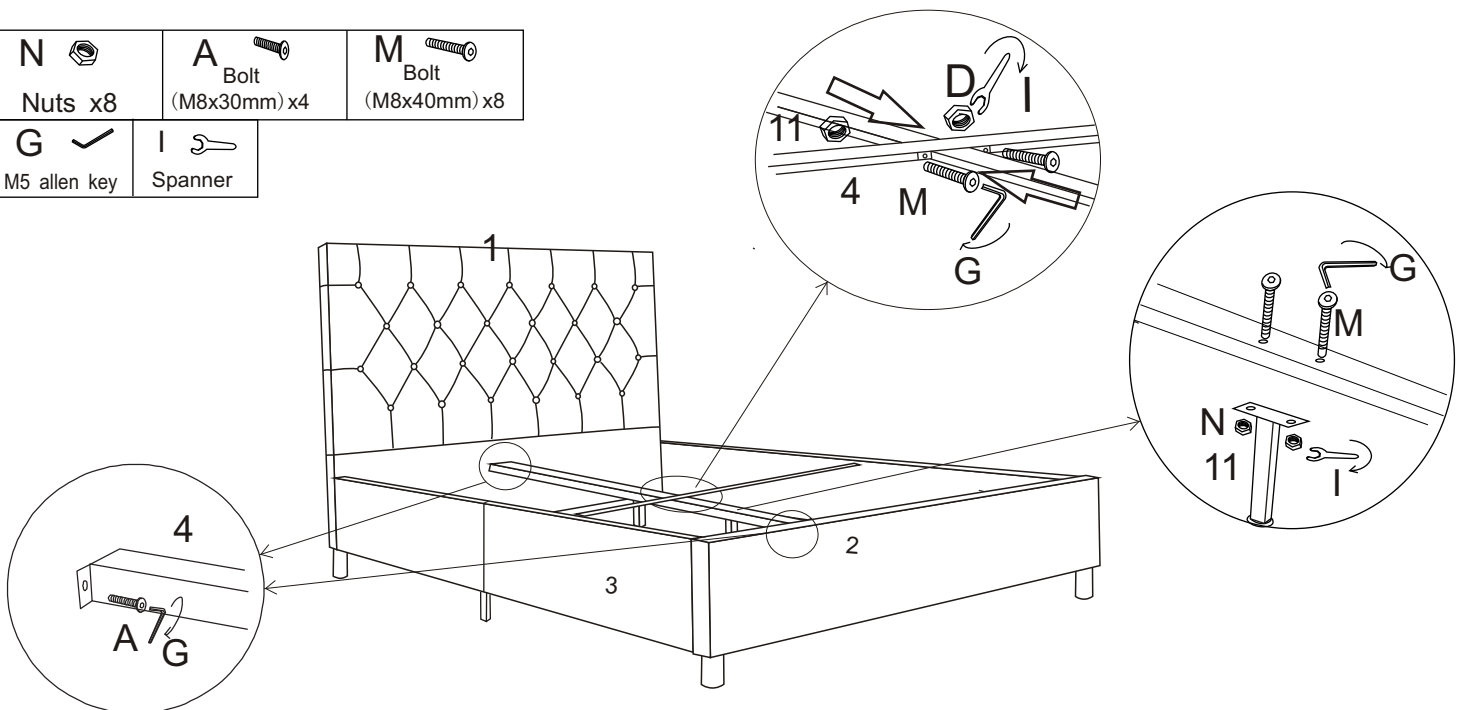
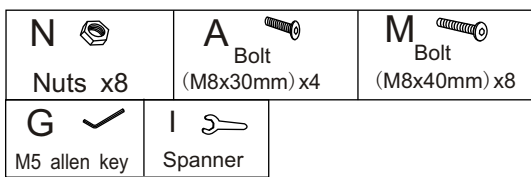
To attach the side rails (3) to the headboard (1) you will need to use hardware parts A, E, F and G.



## Step 6

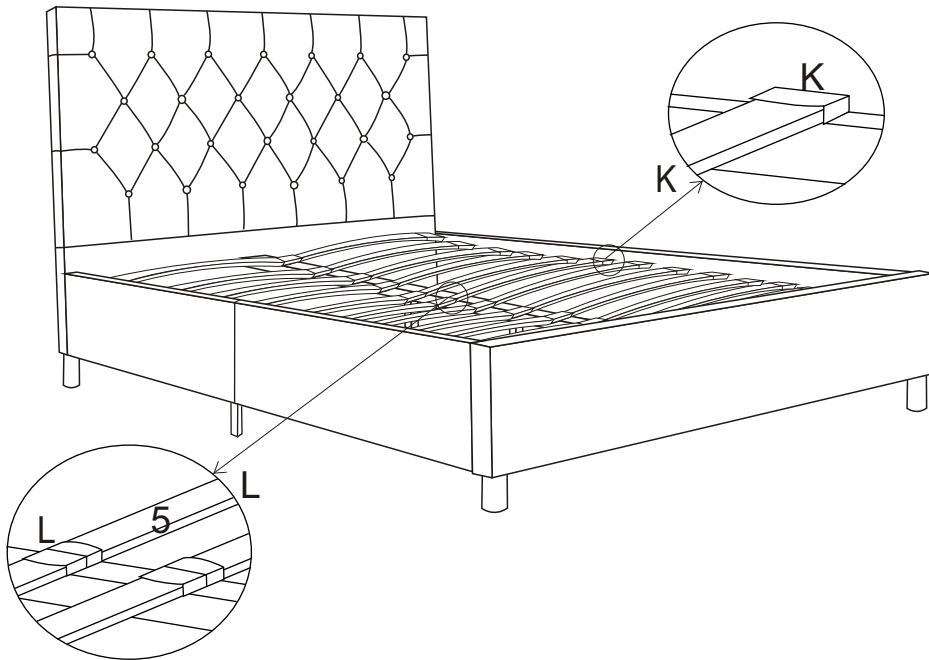
Attach the centre support bar(10)to the headboard (1) and footboard (2) and Cross support Bar(4)using hardware parts M,A,N,G and I.




Attach the support legs(11)to the centre support bar(10) using hardware parts M, N, G and I.



## Step 7:

Assemble the slats (5) into the side rails (3) and centre support bar with K,L



<b>K</b> 	<b>L</b> 	<b>5</b> 
Single Slat caps x 28	Centre slat caps x14	Slat x28

Please dispose of all packaging safely.

## General Care & Maintenance

Wipe clean with a slightly damp cloth.  
Avoid the use of all household cleaners and abrasives.

Periodically check all screw & fixings to ensure they are secure.

When moving your product, carefully lift into place. Never drag or push the product across the floor as this will cause damage to the joints. If the product is used on hard flooring, such as wood or laminated floor, you must place some protection under the legs to stop the product from moving. If this is not adhered to, it could result in failure to the product that will invalidate the warranty.

For more information on cleaning and product care visit:  
<https://www.happybeds.co.uk/help-and-advice>

## Notes

In the unlikely event that you have problems putting this product together or have damaged or missing parts, please contact us by visiting:  
<https://www.happybeds.co.uk/customer-service>