

## **Assembly Instructions**

### **Important before assembly:**

Read these instructions carefully before assembling or using the product.

Please check the contents of the boxes before attempting to assemble this product. The instructions will have a checklist of parts and fittings.

Assemble the product as close to its intended final location/room as possible.

### **Health & Safety:**

This product or some parts of this product will be heavy. Please use an assistant when lifting.

Please keep small parts out of reach of children.

Always use on a level, even surface.

DO NOT jump on the product or any of its parts.

DO NOT use this product if any parts are missing, damaged or worn.

DO NOT use this product unless all fixings are secured.

**Further instructions are on the following pages.**

Please keep these instructions for future reference.



This product or some parts of this product will be heavy. Please use an assistant when lifting.



Never drag or push the pieces across a hard or stone floor as this will cause damage to the joints. Use a carpet or a rug for extra care.



If you have problems assembling or have damaged or missing pieces, please contact our customer services (details at the back of these instructions)



## Important for Ottoman and other gas lift beds

### Note:

The bed base is in the upright position when first assembled as the gas lifts are fully extended during shipment for safety. After assembly a firm downward push will be required to overcome any resistance in the gas lifts as these may initially stick. We suggest placing a mattress on top of the bed base to aide this and also test the operation of your new lift up bed by lifting and pushing down the bed base a few times to allow the lifting mechanism to bed in.

The lift mechanism provides assistance with the lift of the mattress fitted to the base. It does not lift the mattress for you. The system has been designed to effectively lift the base system fitted with a variety of mattress weights and combinations of depths. Depending on the combination of the mattress weight and depth determines the degree of assistance provided by the mechanism.

Following the installation of the mechanism lift, pull the base up and down a few times to free off the system. The gas cylinders fitted to the system may be stiff when first used or if the system has not been operated for a period of time.

Use the strap handles to lift up the mattress base using two hands. Pull the mattress base down using two hands equally spaced from the centre of the mattress base. DO NOT pull down on one side of the base only as this is likely to damage the base system with potential failure of the mattress base system and lift mechanism.

Do NOT operate the lift up mechanism without the mattress placed on the base.

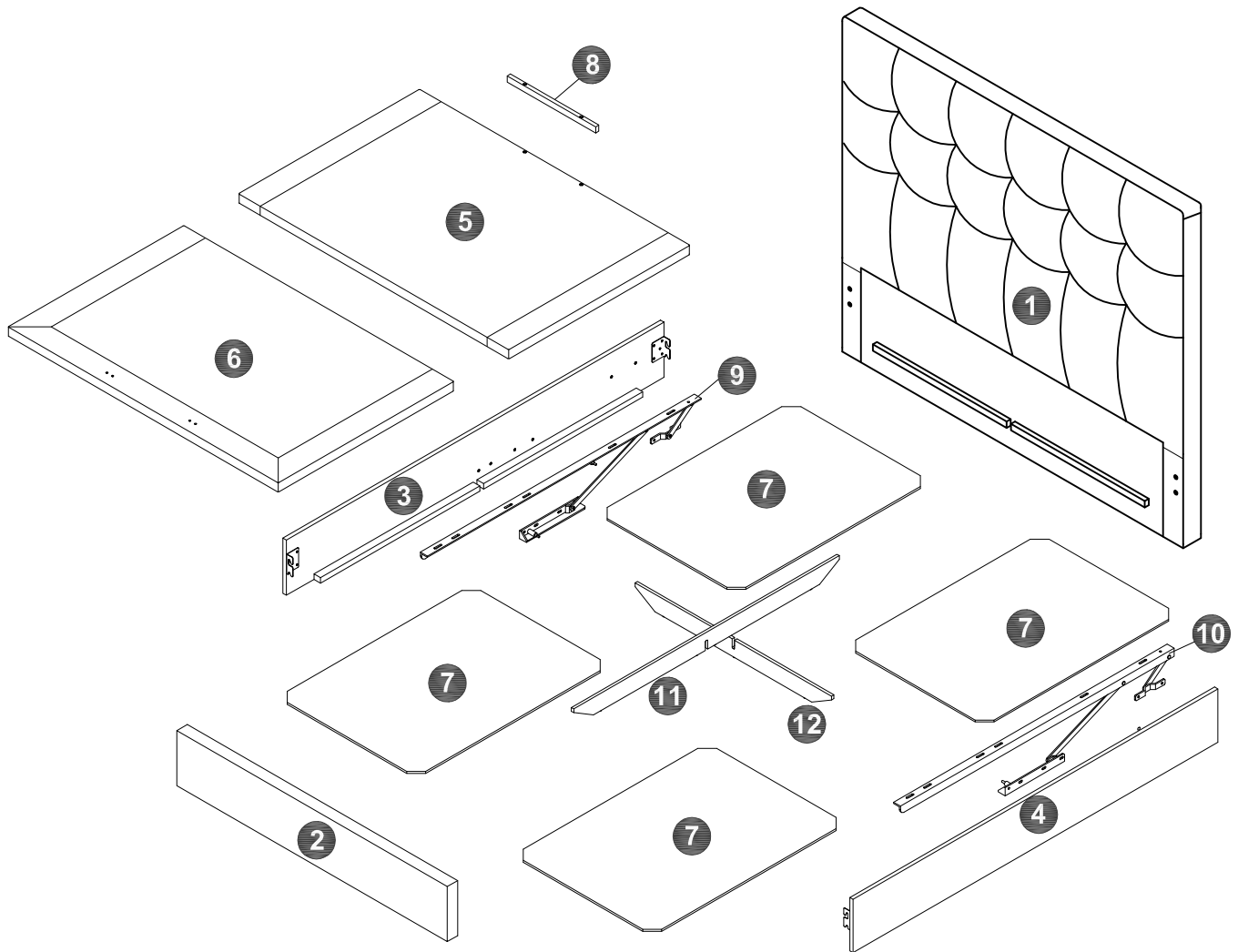
### Caution:

Do NOT allow children to operate the lift mechanism.  
Do NOT allow children near the lift base when operating the mechanism.  
Do NOT allow children in the area of the internal storage base.  
Keep hands clear of the mechanism when operating the base system.  
Do NOT stand inside the bed or the internal storage base.  
Do NOT overload the internal storage base.

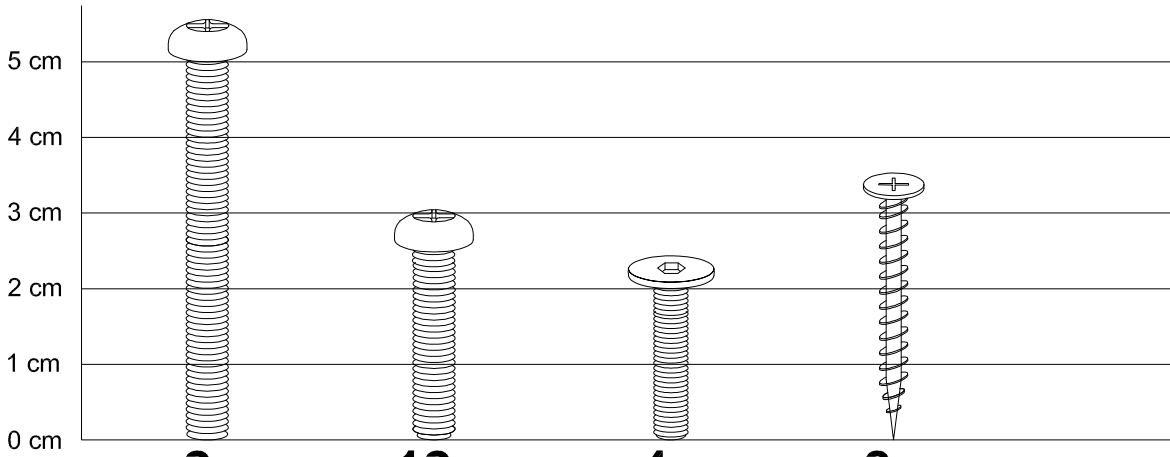
# PARTS LIST

| NO. | PART LISTS                | QTY |
|-----|---------------------------|-----|
| 1   | HEADBOARD                 | 1   |
| 2   | FOOTBOARD                 | 1   |
| 3   | SIDE RAIL (L)             | 1   |
| 4   | SIDE RAIL (R)             | 1   |
| 5   | FRONT LIFT BASE           | 1   |
| 6   | BACK LIFT BASE            | 1   |
| 7   | BASE PANEL                | 4   |
| 8   | MATTRESS SUPPORT RAIL     | 1   |
| 9   | LIFT UP MECHANISM (LEFT)  | 1   |
| 10  | LIFT UP MECHANISM (RIGHT) | 1   |
| 11  | BOTTOM CROSS RAIL (LONG)  | 1   |
| 12  | BOTTOM CROSS RAIL (SHORT) | 1   |

CARTON 1 CONSISTS OF PART : 1  
 CARTON 2 CONSISTS OF PART : 2, FB LEGS  
 CARTON 3 CONSISTS OF PART : 3,4,8,11,12, HARDWARE  
 CARTON 4 CONSISTS OF PART : 5,6  
 CARTON 5 CONSISTS OF PART : 7  
 CARTON 6 CONSISTS OF PART : 9,10



# HARDWARE LIST

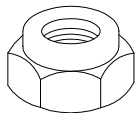


**2x**  
M8 X 50mm  
**A**  
BOLT

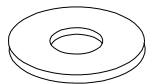
**12x**  
M8 X 25mm  
**B**  
BOLT

**4x**  
M6 X 20mm  
**C**  
BOLT

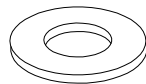
**8x**  
#8 X 32mm  
**D**  
SCREW



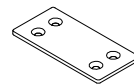
**4x**  
M8 X 13mm  
**E**  
LOCK NUT



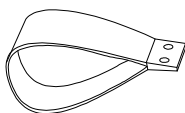
**4x**  
M6 X 16mm  
**F**  
FLAT WASHER



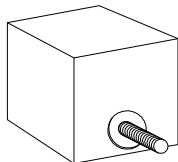
**12x**  
M8 X 18mm  
**G**  
FLAT WASHER



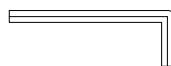
**2x**  
86 X 40mm  
**H**  
METAL PLATE



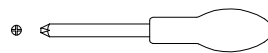
**2x**  
**I**  
STRAP HANDLE



**2x**  
**J**  
FOOTBOARD LEG



**1x**  
**K**  
ALLEN KEY (M4)



**1x**  
**L**  
SCREW DRIVER (4" x 5mm)



**2x**  
564 x 900N  
**M**  
GAS SPRING

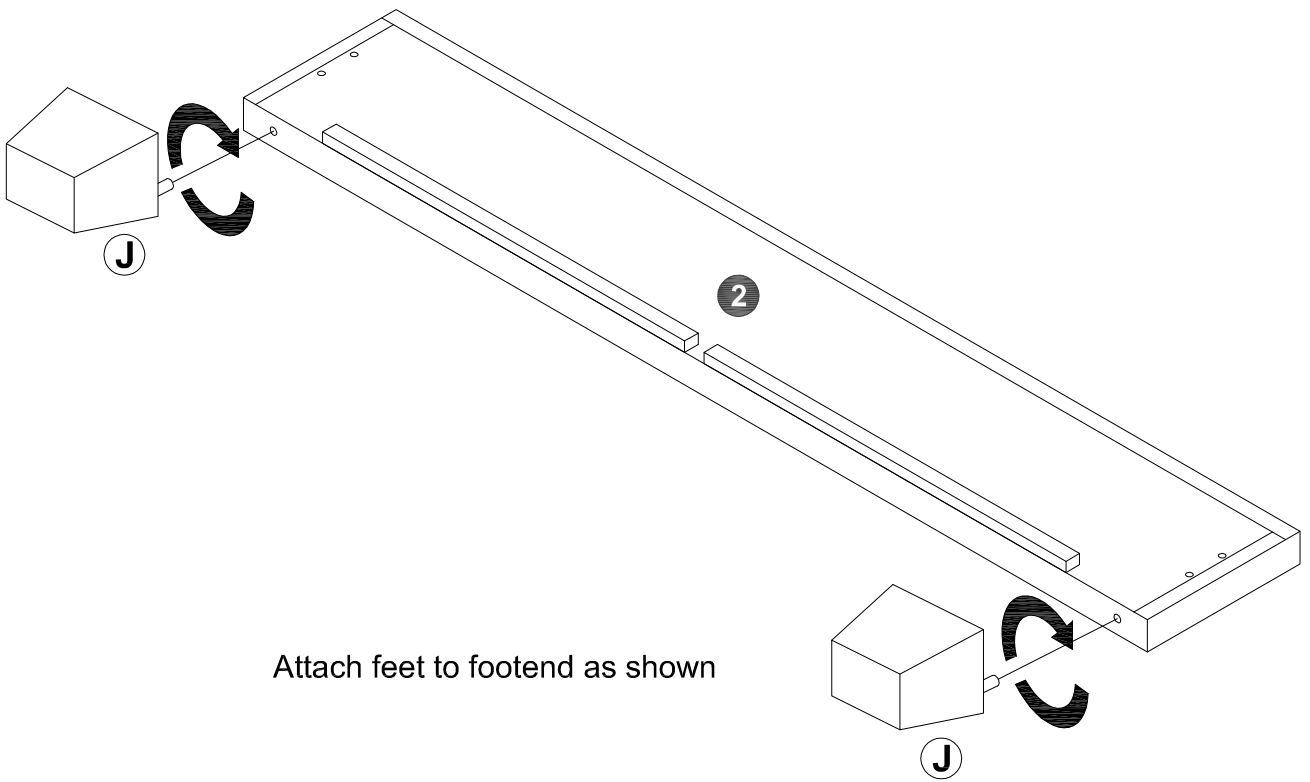
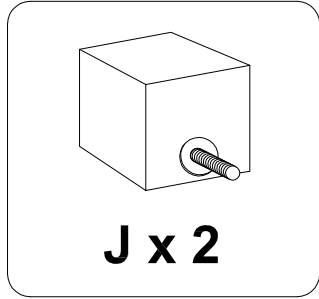


**1x**  
**N**  
SPANNER (13mm)



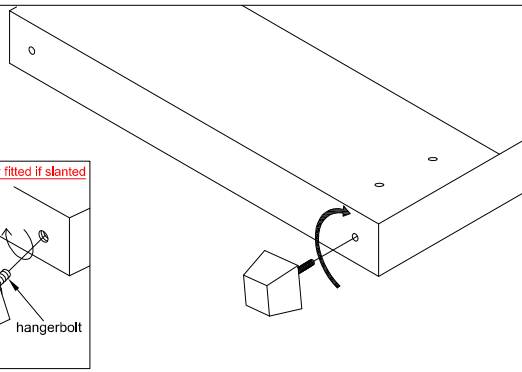
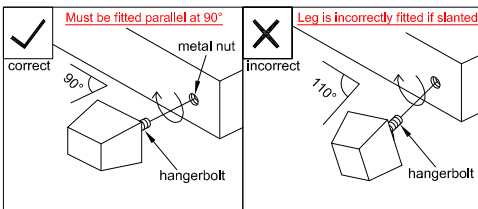
**2x**  
**O**  
STUD BOLT Ø6 X 40mm

# STEP 1

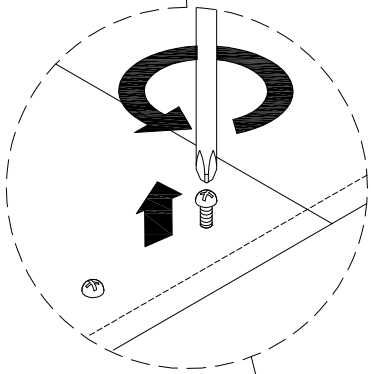
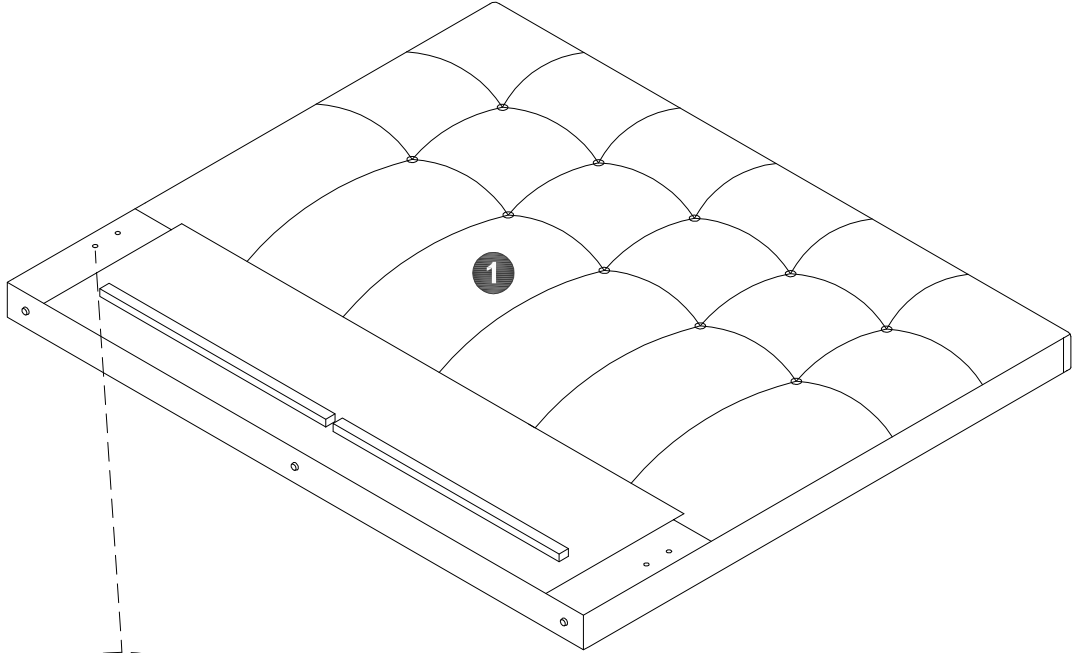
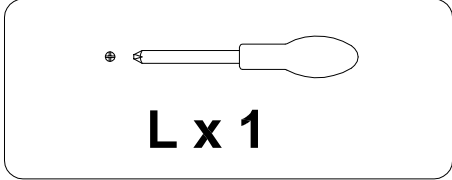


## Special Note : For Leg Assembly

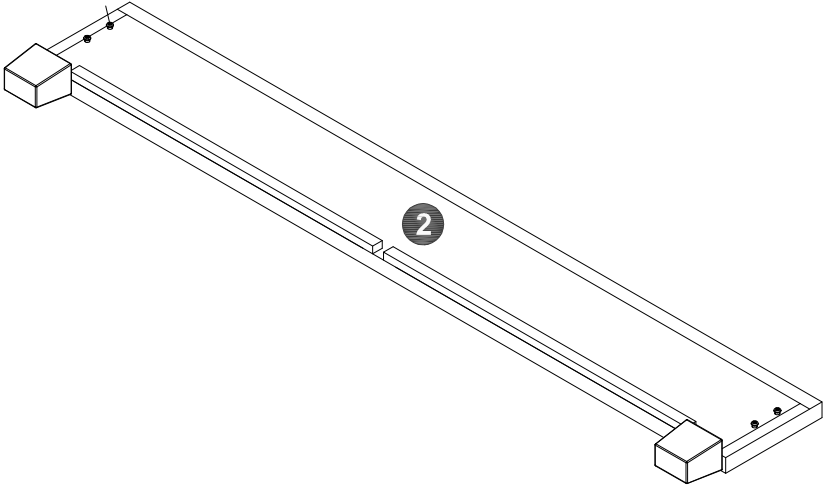
Please make sure the bolt thread is correctly matched with the metal nut. Do not over tighten, as this may cross the threads causing damage to the product.



# STEP 2

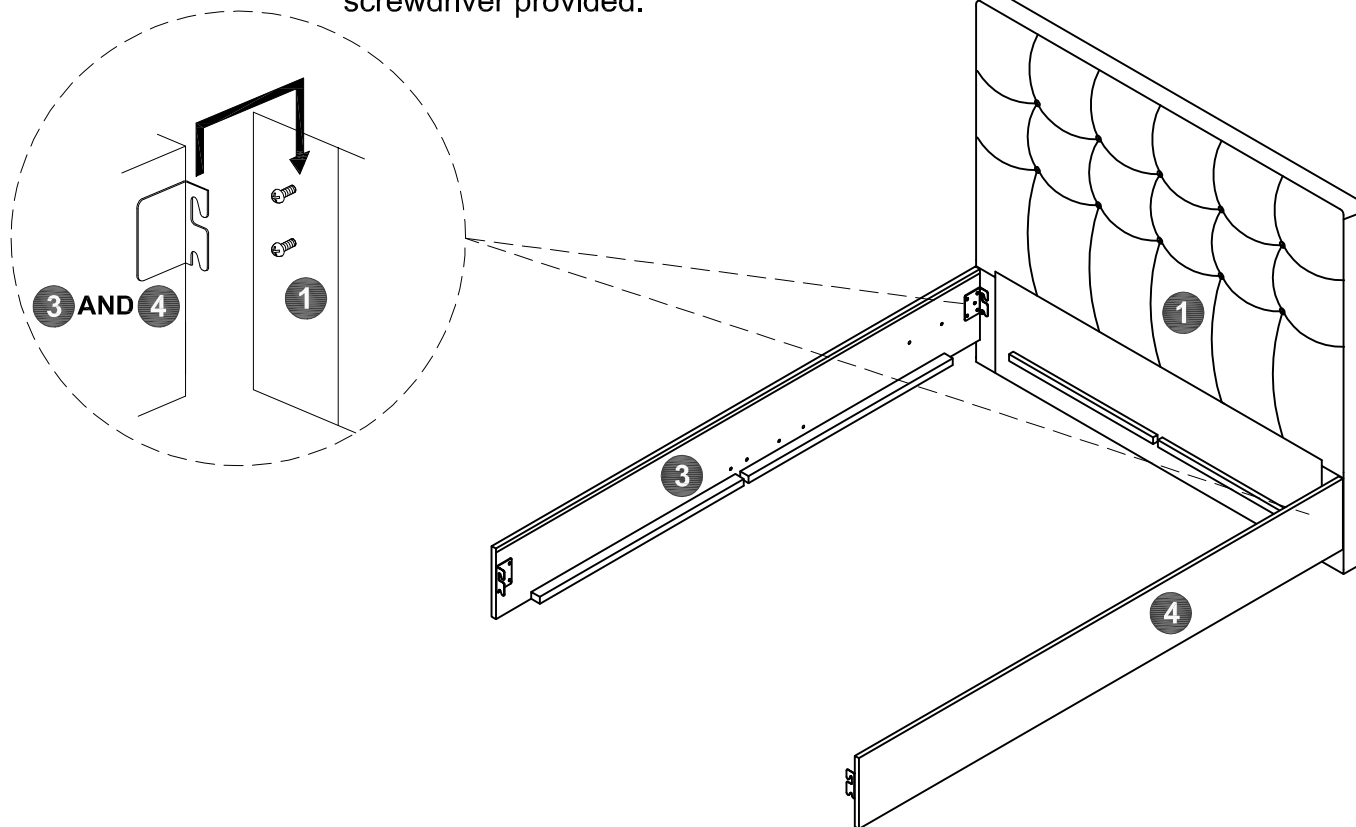


Loosen bolts in headend and footend.  
Do not remove.

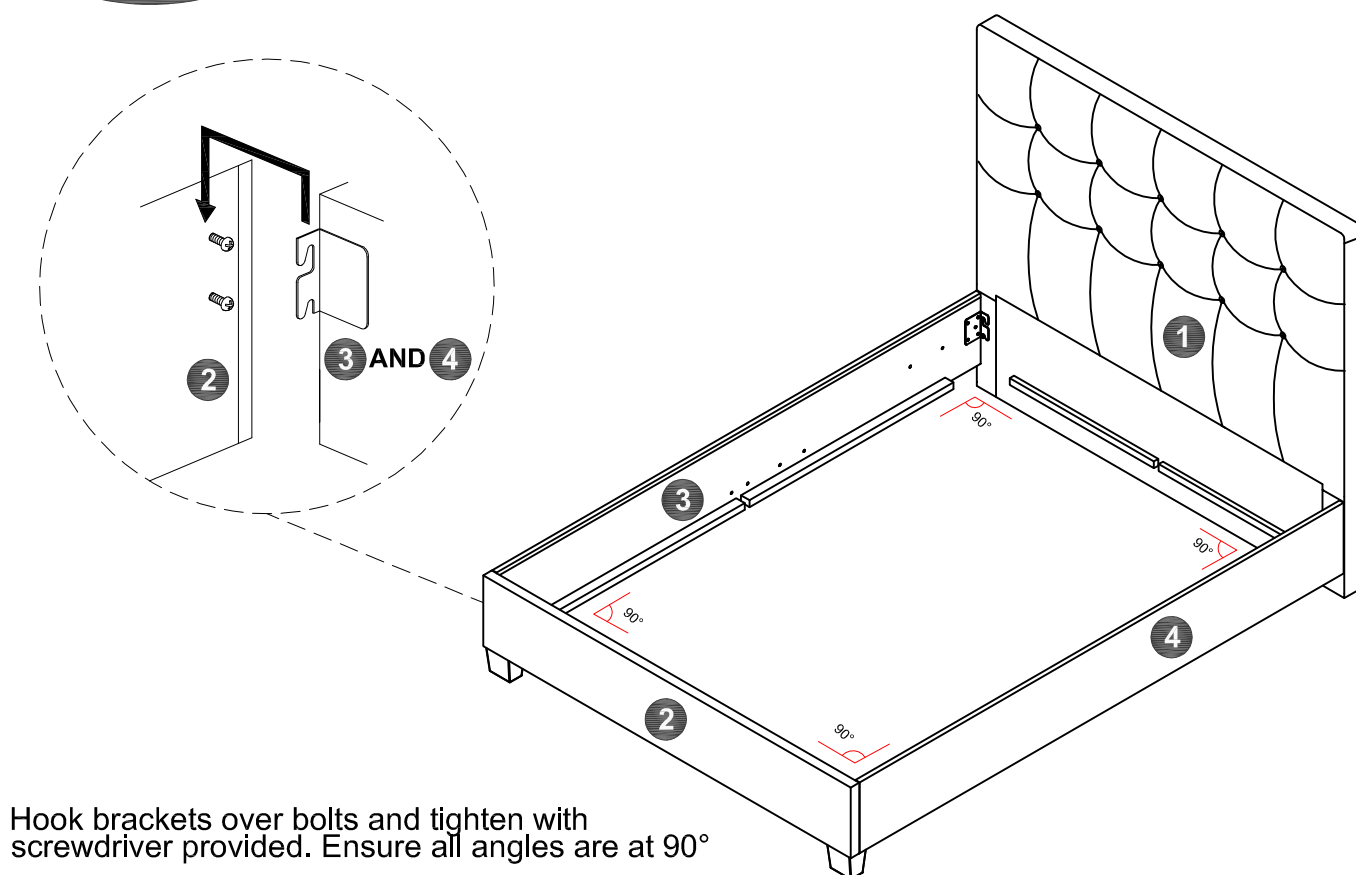


### STEP 3

Hook brackets over bolts and tighten with screwdriver provided.



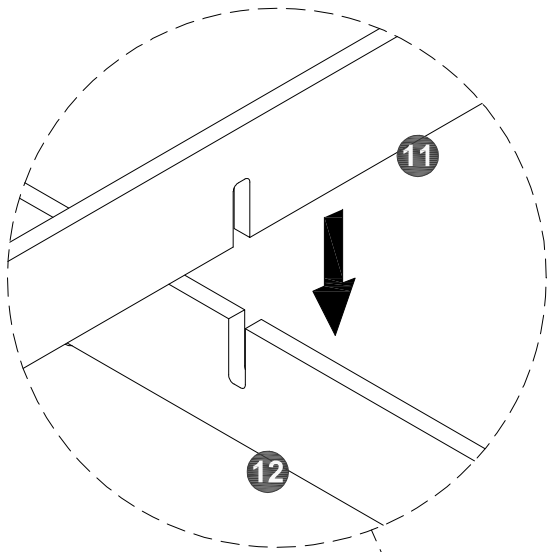
### STEP 4



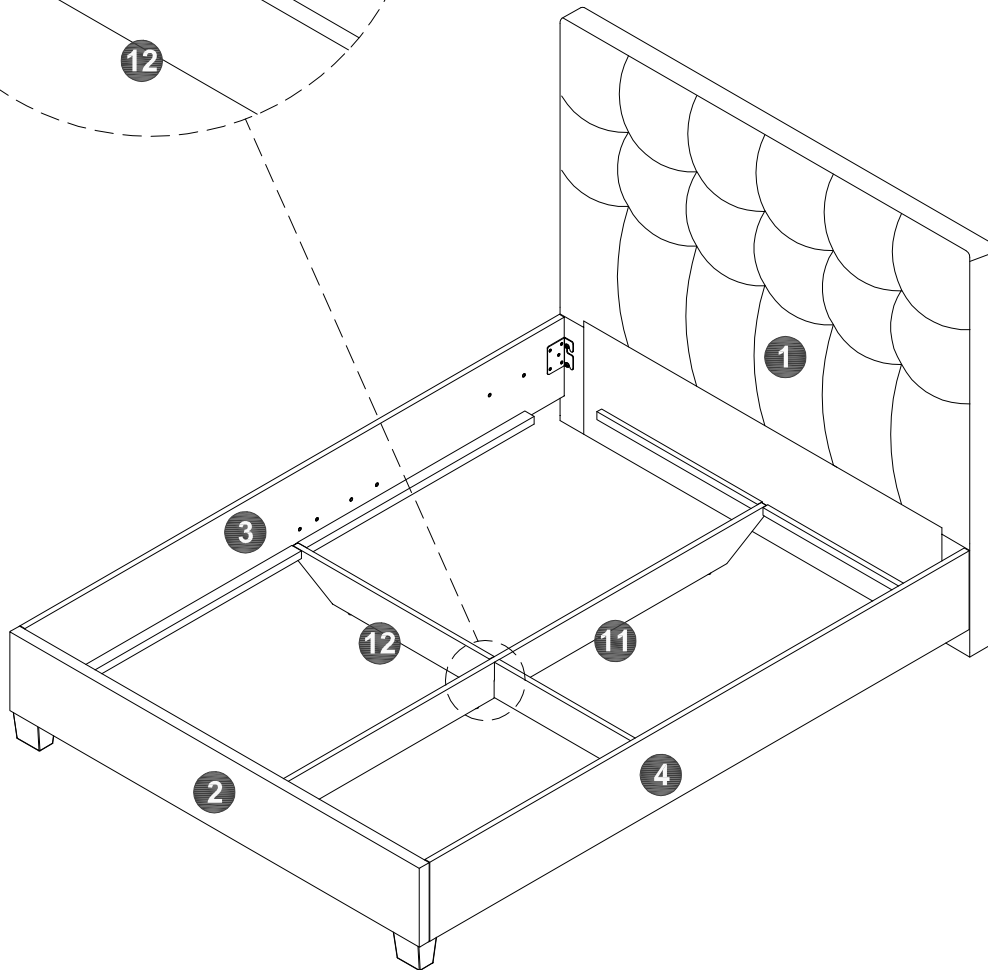
Hook brackets over bolts and tighten with screwdriver provided. Ensure all angles are at 90°



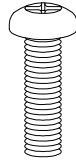
# STEP 5



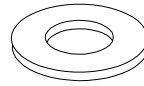
Slot together base panel supports in the cavity of the bed.



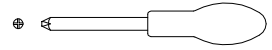
# STEP 6



**B x 12**

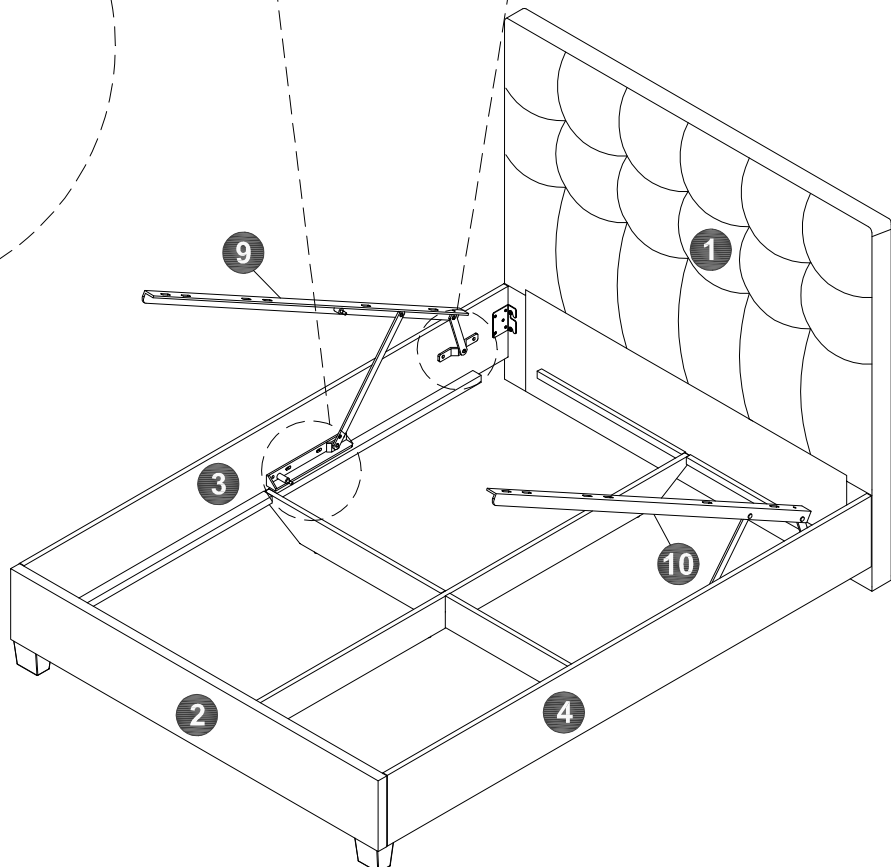
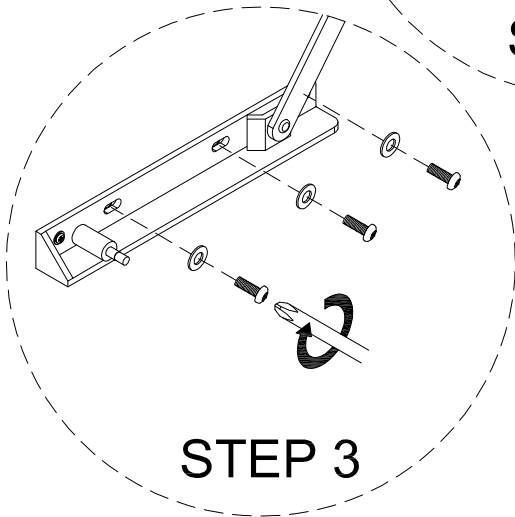
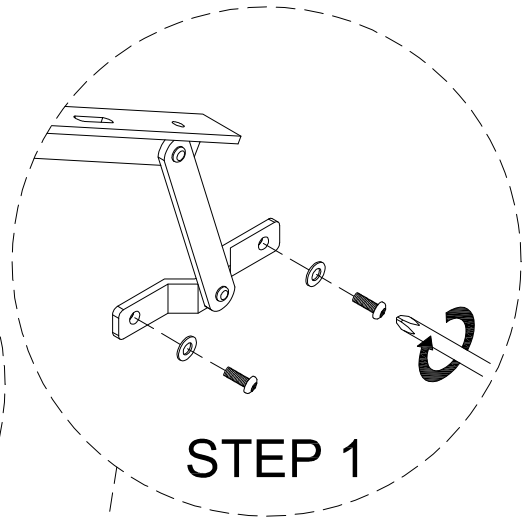
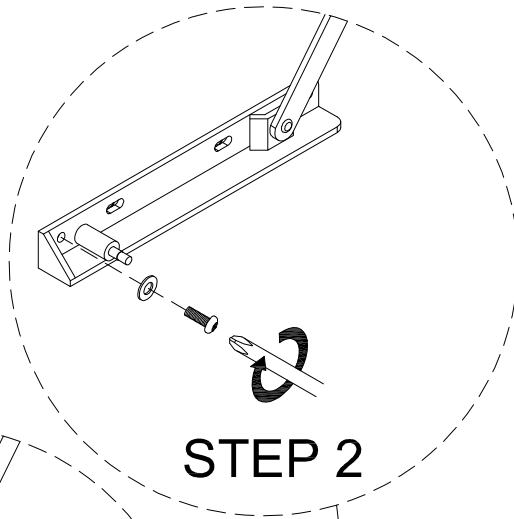


**G x 12**



**L x 1**

Attach mechanisms using fixings and screwdriver provided. (Do not use power tools)



# STEP 7



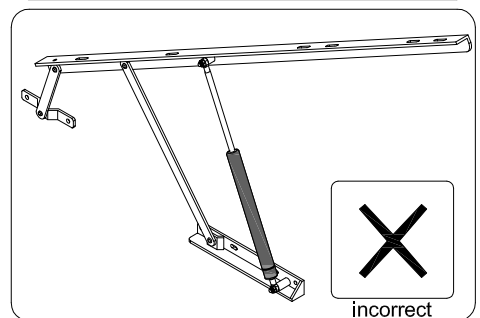
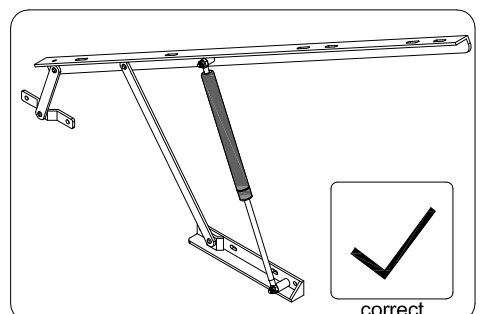
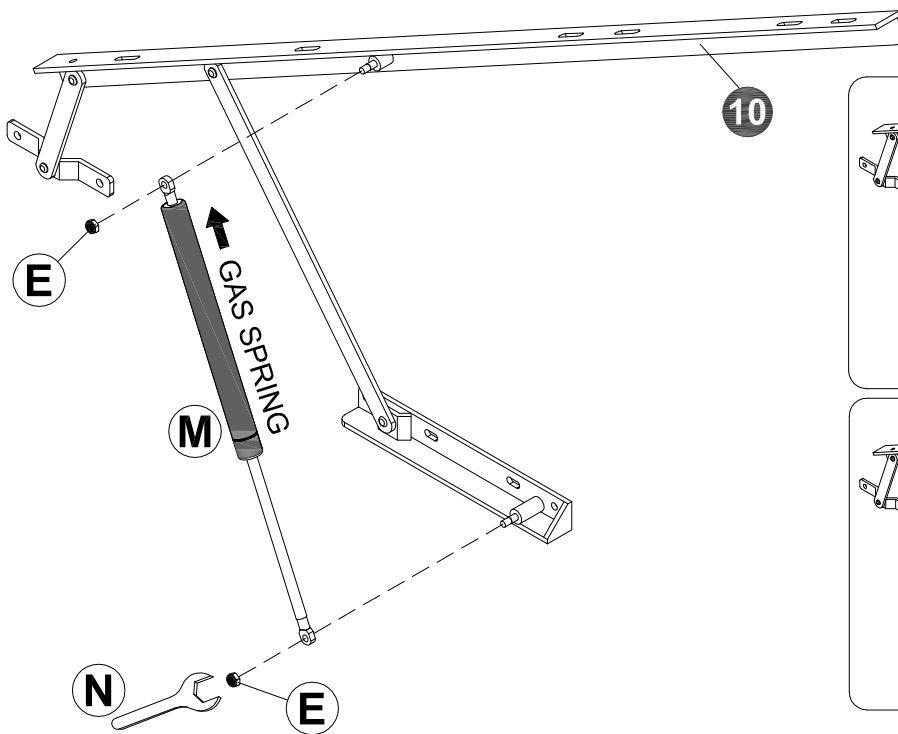
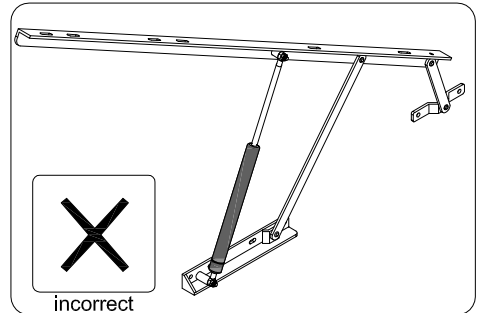
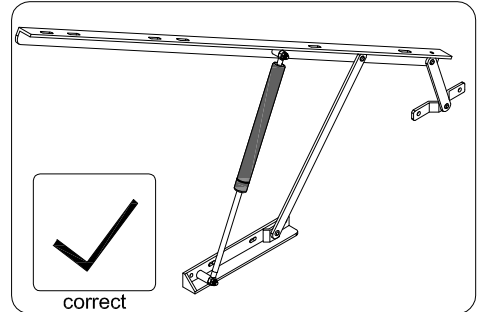
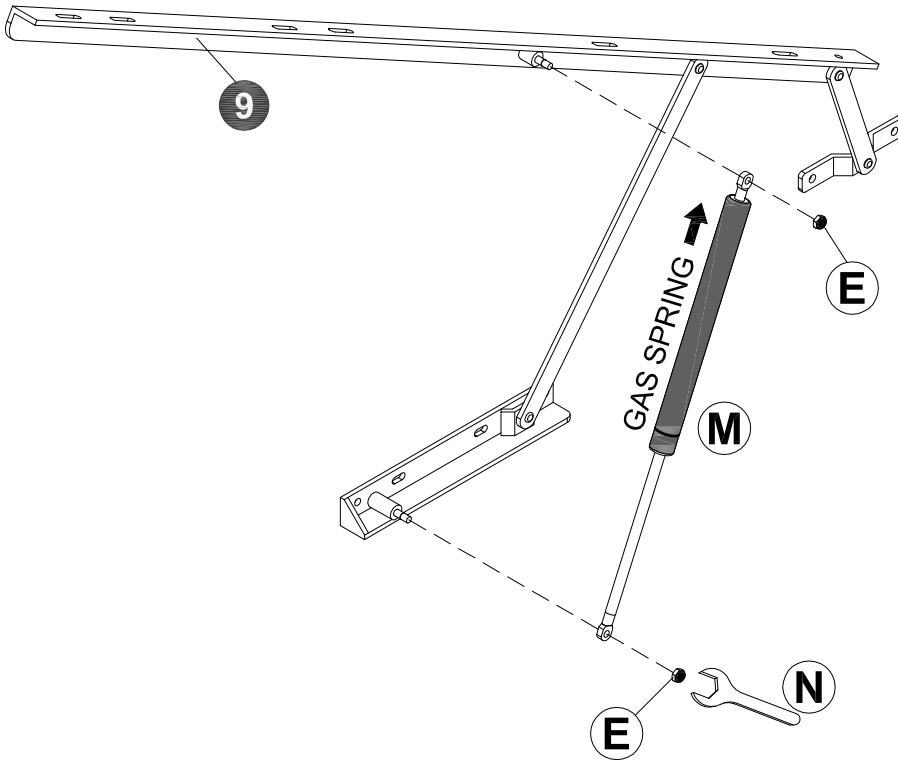
**E x 4**



**M x 2**



**N x 1**



**Fully tighten all nuts after attaching the pistons, ensuring they are correctly fitted as per diagram.**

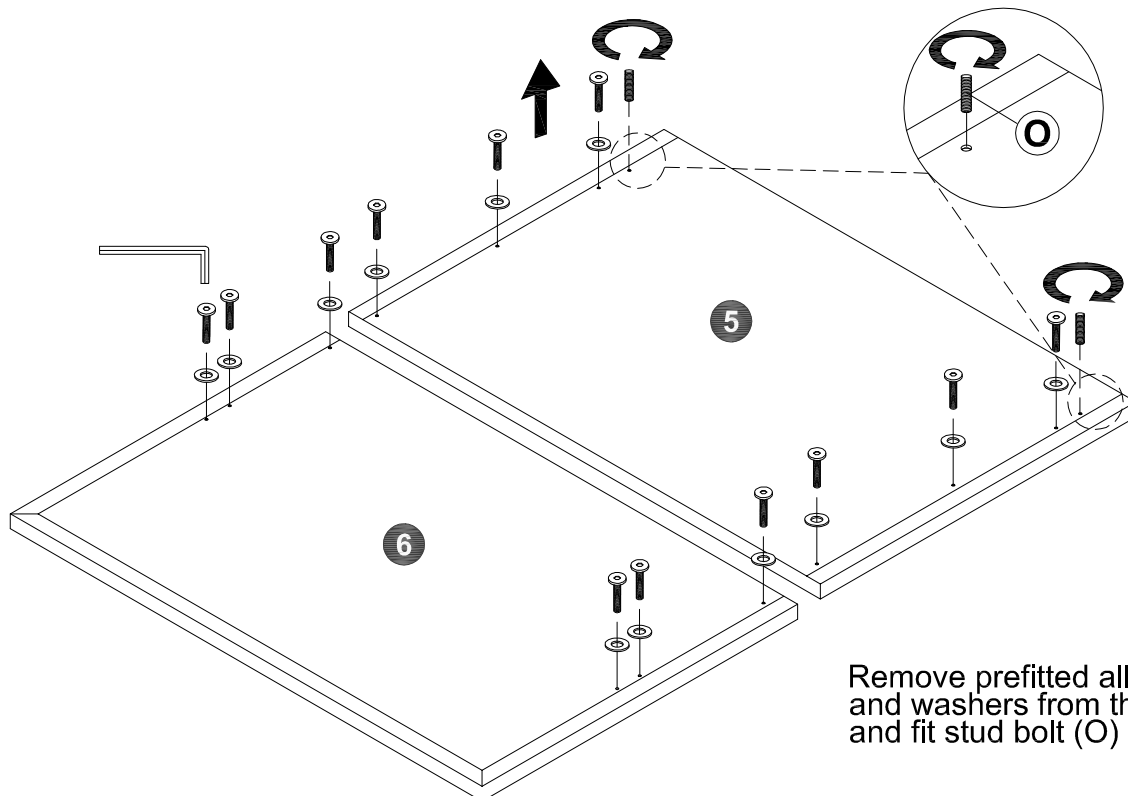
## STEP 8



**K x 1**

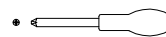


**O x 2**



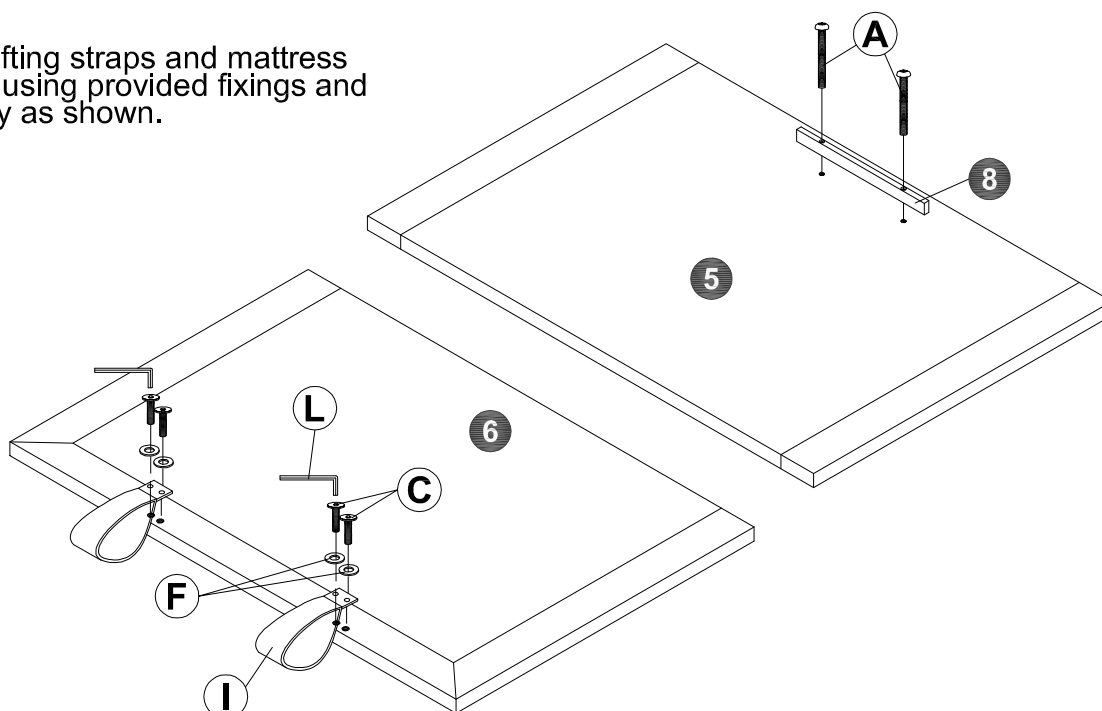
Remove prefitted allenhead screws and washers from the base boards and fit stud bolt (O) as shown.

## STEP 9



**A x 2 C x 4 F x 4 I x 2 L x 1 K x 1**

Attach lifting straps and mattress support using provided fixings and allen key as shown.

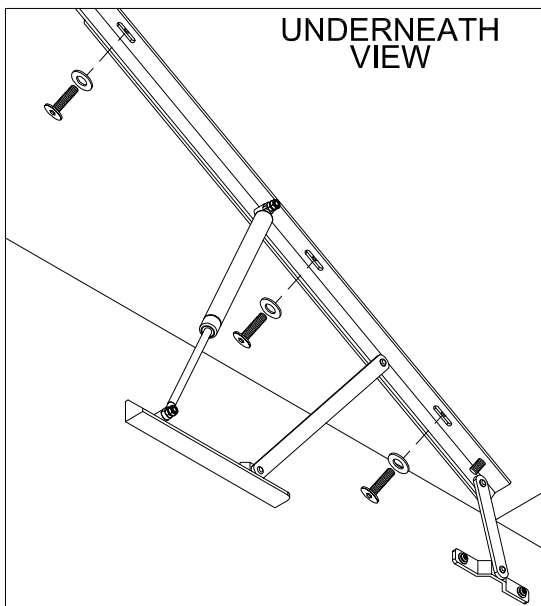
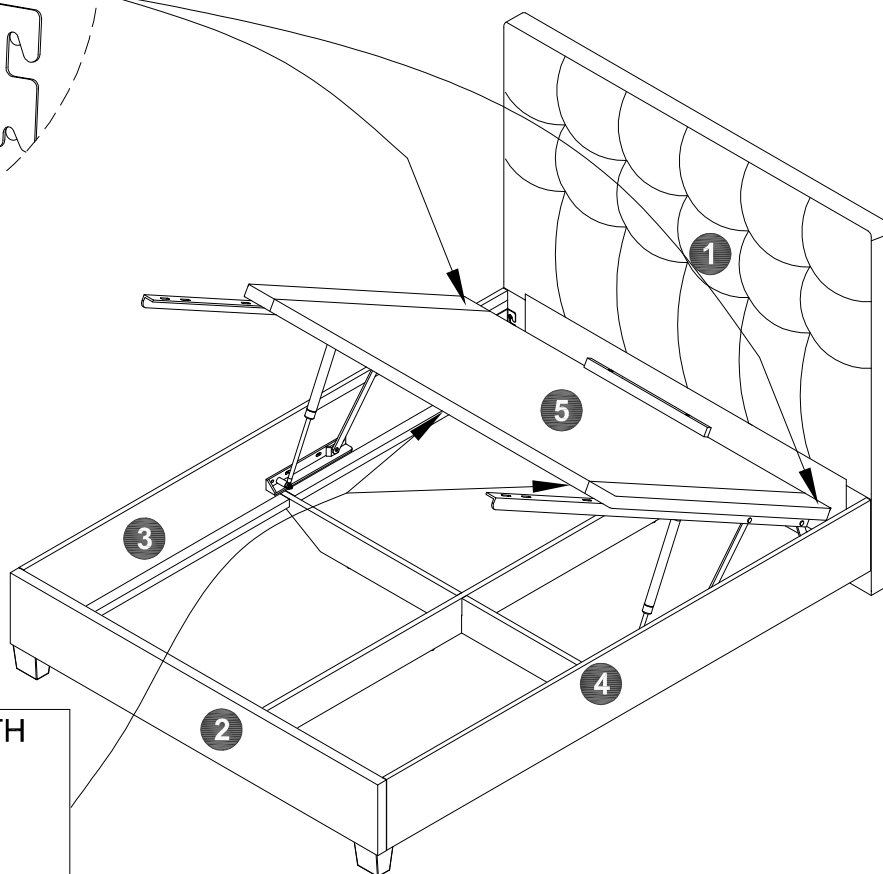
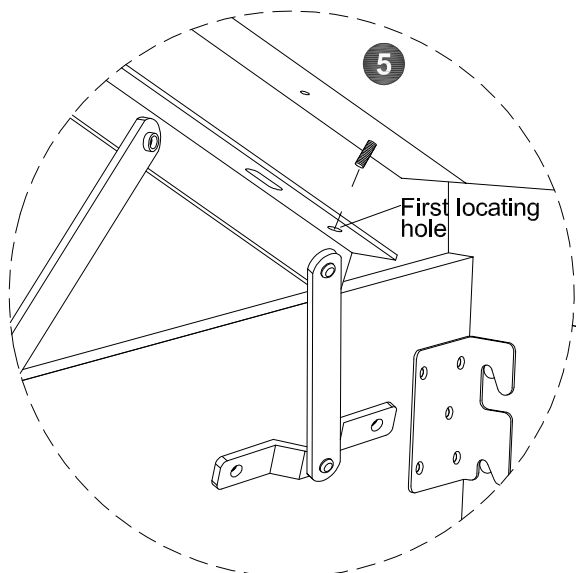


# STEP 10

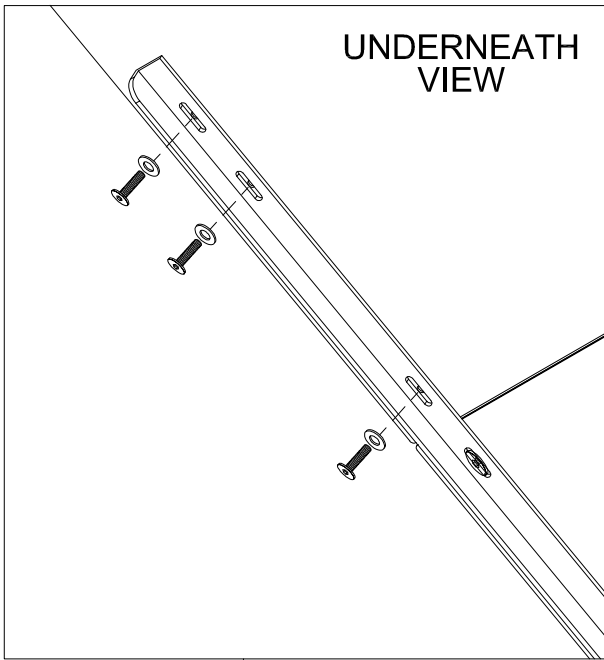
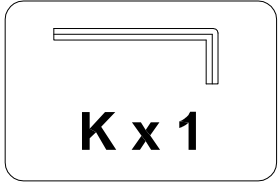


**K x 1**

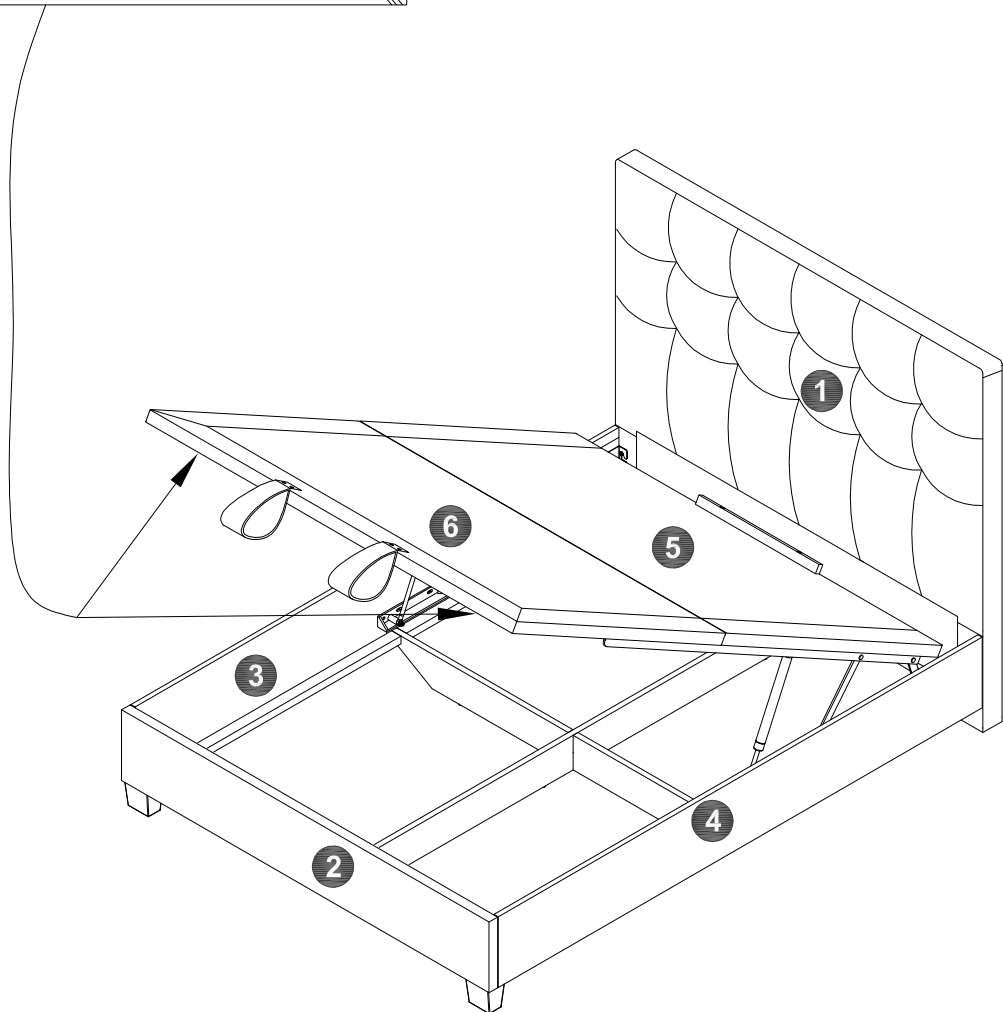
1. First put the base (5) on the top of mechanism (9) & (10) and fix with the pre-installed stud bolt (O) to the first locating hole to prevent the lift base from dropping down.
2. Use Allen head screw and flat washer to fully tighten all others screws as shown.
3. Take care not to damage the bottom cross rails.



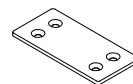
# STEP 11



Place lift base (6) on top of mechanisms and attach as per base 5

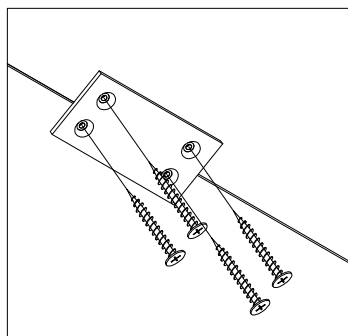


# STEP 12

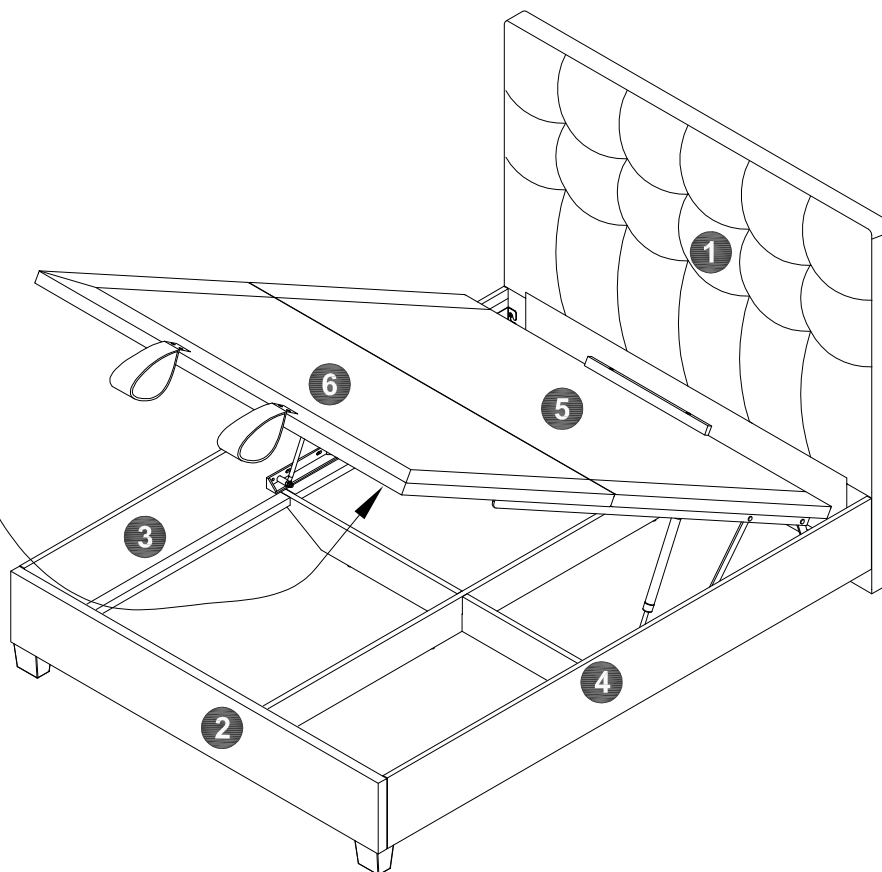
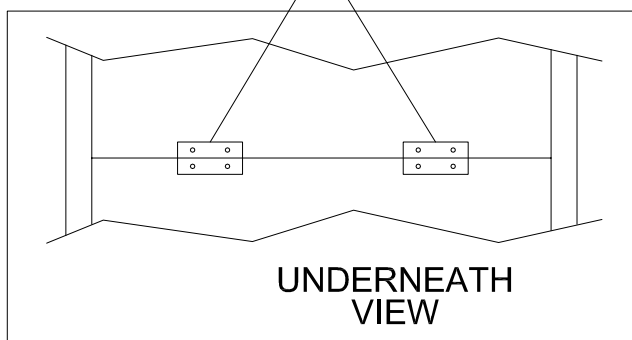


**D x 8**

**H x 2**

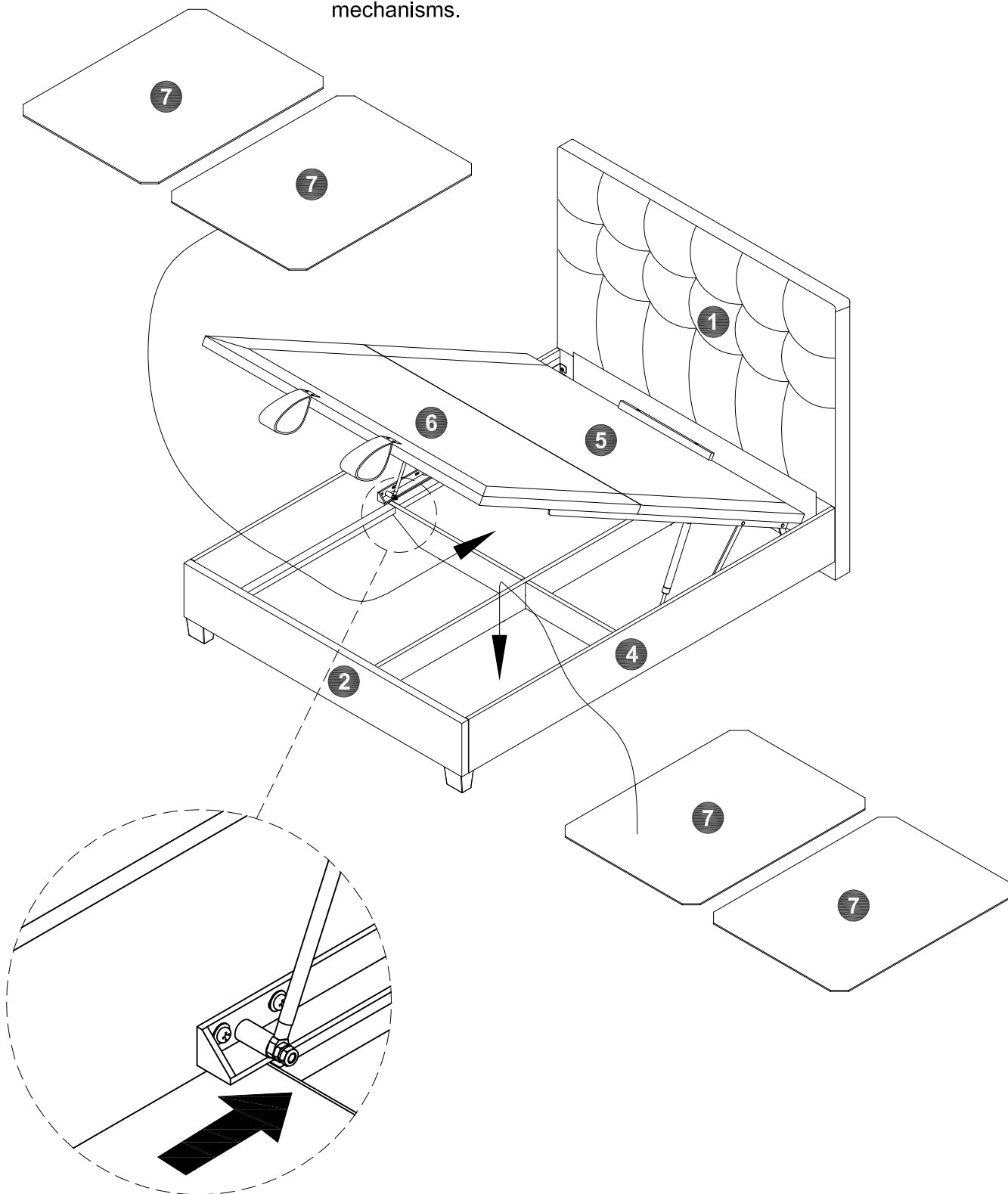


Affix metal plates to the underside of the mattress bases with fixings and screwdriver provided.



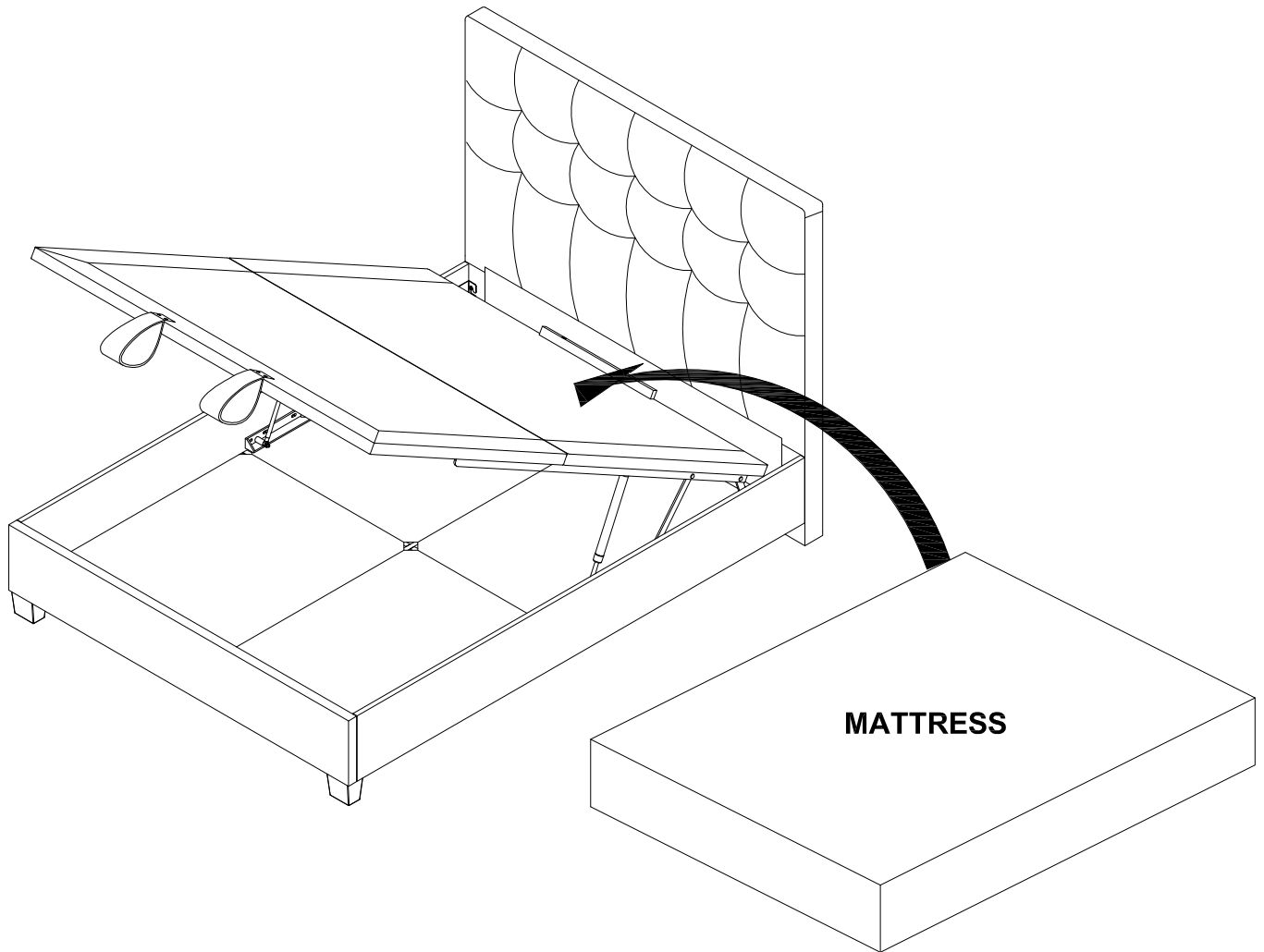
# STEP 13

Slide base panels into place, taking care not to catch them on the side mechanisms.





## STEP 14



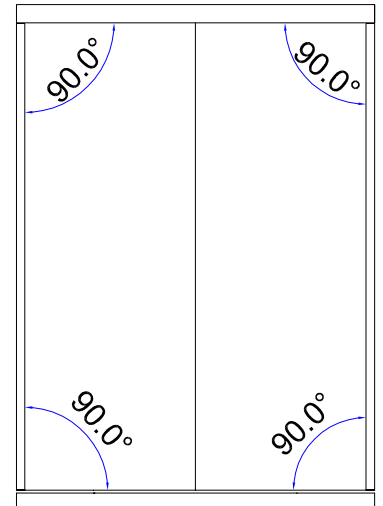
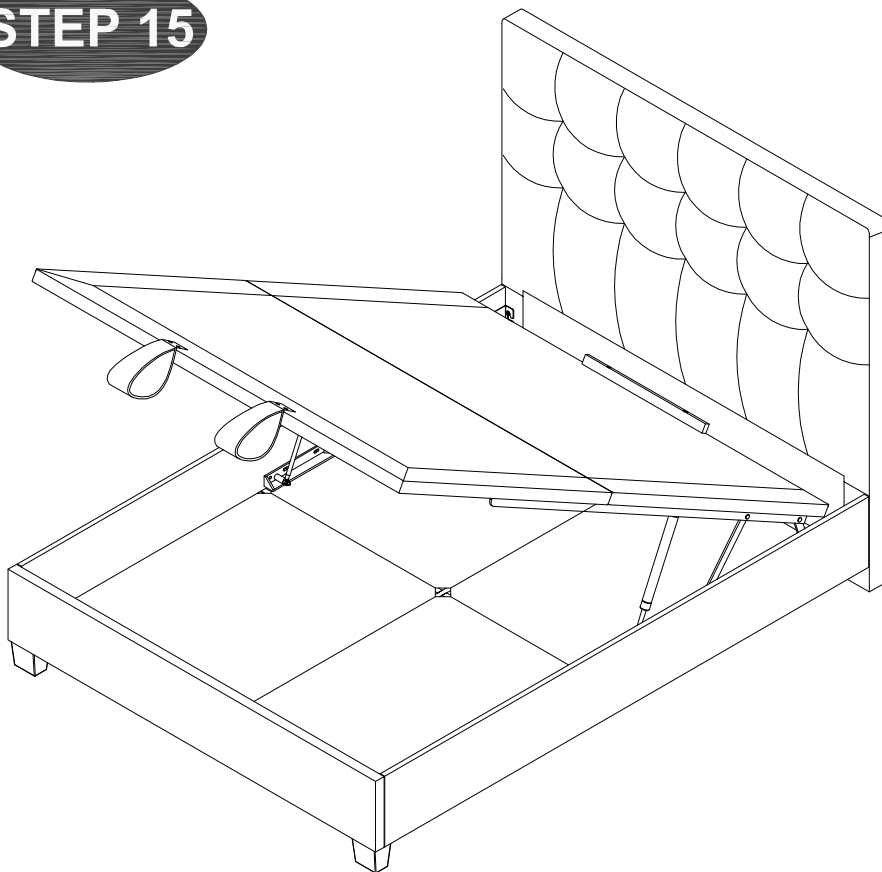
A. This Lift Mechanism provides assistance with the lift of the mattress fitted to the base - it does not lift the mattress for you. The system has been designed to effectively lift the base system fitted with a variety of mattress weights and combinations of depth. The combination of mattress weight and depth determines the degree of assistance provided by the mechanism.

B. Following installation of the mechanism lift / pull the base up and down a few times to free off the system. The gas cylinders fitted to the system may be stiff when first used or if the system has not been operated for a period of time. The mattress must be fitted to the base.

C. Use the strap handles to lift up the mattress base using two hands - Pull the mattress base down using two hands equally spaced from the centre of the mattress base. **DO NOT** pull down on one side of the base only as this is likely to damage the base system with potential failure of the mattress base system and lift mechanism. **Do not operate the lift up mechanism without the mattress fitted to the base.**

**CAUTION :** Do not allow children to operate the lift Mechanism.  
Do not allow children near the lift base when operating the Mechanism.  
Do not allow children in the area of the internal storage base.  
Keep hands clear of the mechanism when operating the base system.  
Do not stand inside the bed / on the internal storage base.  
Do not overload the internal storage base.

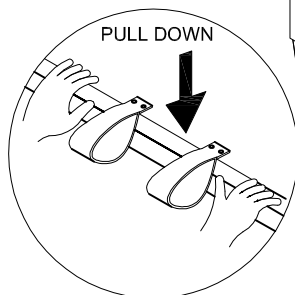
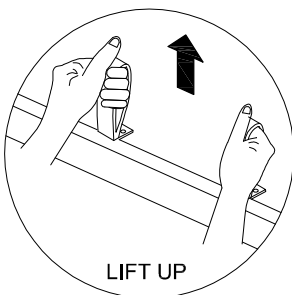
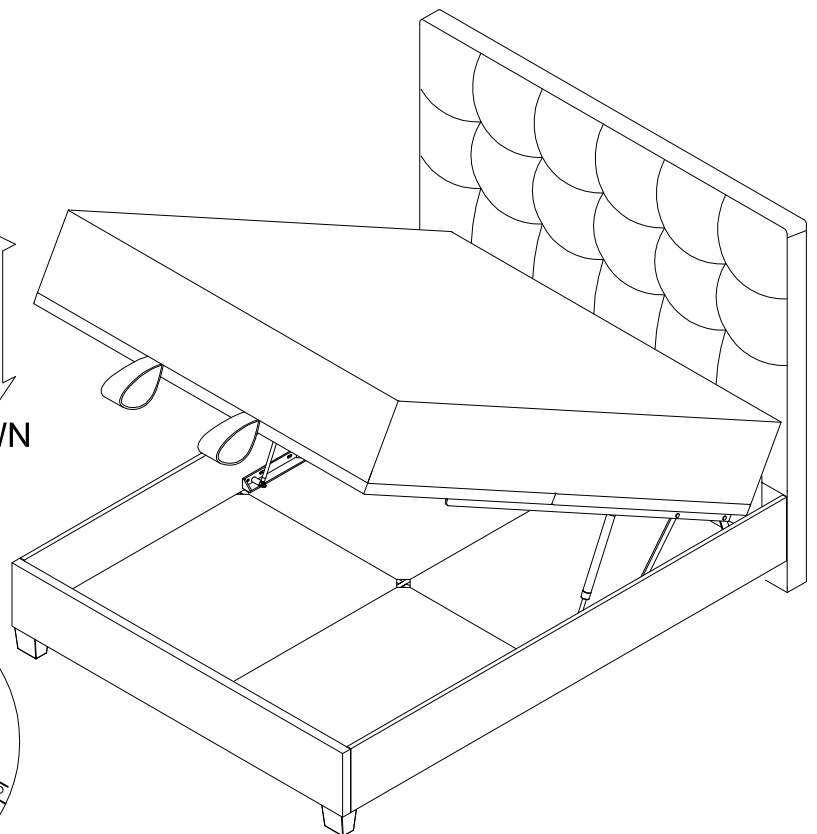
## STEP 15



~ Make sure the Bed Frame 4 side angles are at 90 degrees before you closing the lift base.

## STEP 16

( X20 TIMES )  
UP  
DOWN



- ~ The mattress must be fitted to the base. (Do not operate the lift up mechanism without the mattress fitted to the base.)
- ~ Lift Up and Down the Lift-Up Frame with Mattress at least 20 times before use.

Please dispose of all packaging safely.

## General Care & Maintenance

Wipe clean with a slightly damp cloth.  
Avoid the use of all household cleaners and abrasives.

Periodically check all screw & fixings to ensure they are secure.

When moving your product, carefully lift into place. Never drag or push the product across the floor as this will cause damage to the joints. If the product is used on hard flooring, such as wood or laminated floor, you must place some protection under the legs to stop the product from moving. If this is not adhered to, it could result in failure to the product that will invalidate the warranty.

For more information on cleaning and product care visit:  
<https://www.happybeds.co.uk/help-and-advice>

## Notes

In the unlikely event that you have problems putting this product together or have damaged or missing parts, please contact us by visiting:  
<https://www.happybeds.co.uk/customer-service>