



## Assembly Instructions

### Important before assembly:

Read these instructions carefully before assembling or using the product.

Please check the contents of the boxes before attempting to assemble this product. The instructions will have a checklist of parts and fittings.

Assemble the product as close to its intended final location/room as possible.

### Health & Safety:

This product or some parts of this product will be heavy. Please use an assistant when lifting.

Please keep small parts out of reach of children.

Always use on a level, even surface.

DO NOT jump on the product or any of its parts.

DO NOT use this product if any parts are missing, damaged or worn.

DO NOT use this product unless all fixings are secured.

**Further instructions are on the following pages.**

Please keep these instructions for future reference.



This product or some parts of this product will be heavy. Please use an assistant when lifting.

---



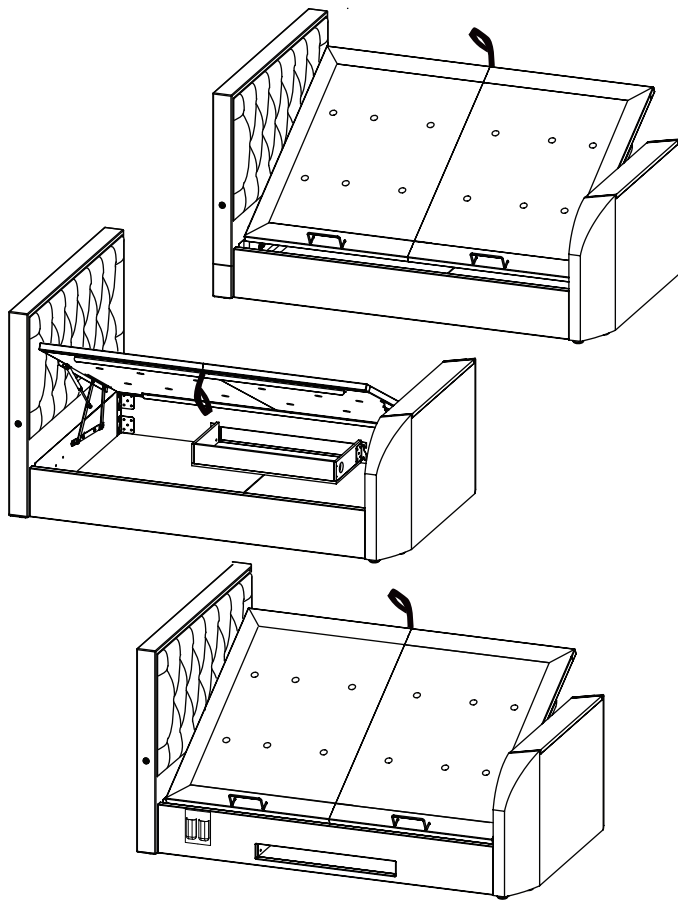
Never drag or push the pieces across a hard or stone floor as this will cause damage to the joints. Use a carpet or a rug for extra care.

---



If you have problems assembling or have damaged or missing pieces, please contact our customer services (details at the back of these instructions)

# LYON OTTOMAN TV BED

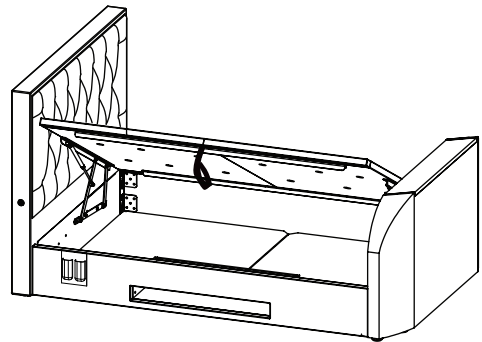


PLEASE READ this sheet prior to assembly to familiarise yourself with the various stages of construction. Carefully open the pack supplied and check the contents against the parts and fittings check list.

Do not destroy any of the packaging until you are certain that you have all the necessary parts for the assembly.

Please ensure that the packaging is disposed of in a safe environmentally friendly way.

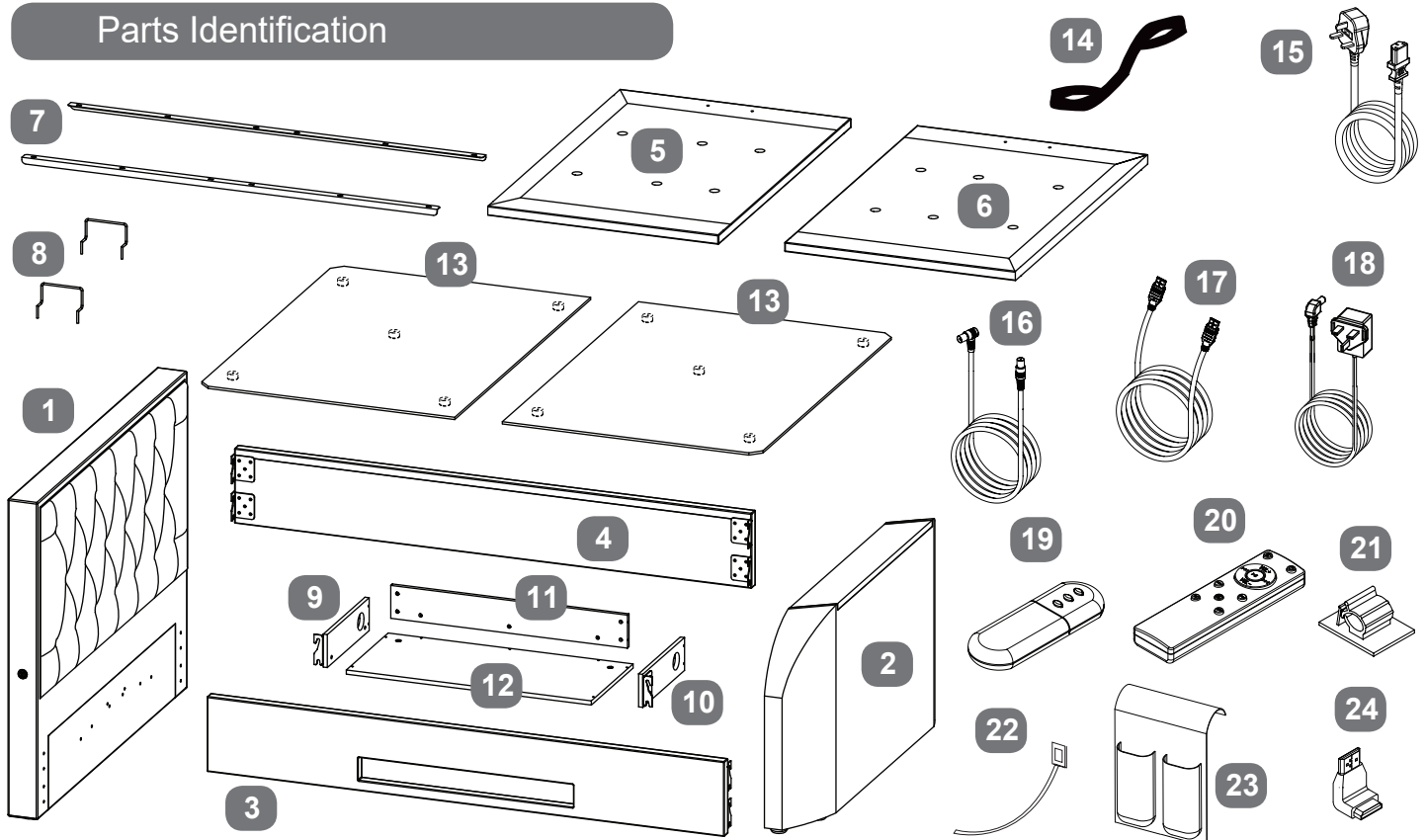
CAUTION: There are small components used in the construction of this unit. These loose items should be kept away from young children during assembly, to avoid the danger of choking.



An instructional video of the Operation of the Ottoman Lift Up system is available via YouTube using the following address: [https://youtu.be/hyq4zm7h\\_yU](https://youtu.be/hyq4zm7h_yU)

IMPORTANT: BEFORE STARTING TO ASSEMBLE THE BED - PLEASE READ THESE INSTRUCTIONS CAREFULLY.

## Parts Identification



## Parts Checklist

Ref.	Description	Qty	Ref.	Description	Qty
1	Headboard	1	13	Storage Base Boards	2
2	Footboard	1	14	Hand Strap	1
3	Side Rail - With Media Tray	1	15	Mains Power Lead - 3 mt	1
4	Side Rail - Without Media Tray	1	16	Aerial Lead - 4 mt HDMI	1
5	Mattress Base Board - Headend	1	17	Leads - 2.8 Mt	2
6	Mattress Base Board - Footend	1	18	Remo Power Adapter	1
7	Metal Tie Rails for Mattress Base Boards	2	19	TV Lift Remote Control	1
8	Mattress Stoppers	2	20	AMP Remote Control	1
9	Media Tray Side Panel - L	1	21	Cable Clips	3
10	Media Tray Side Panel - R	1	22	Cable Ties	3
11	Media Tray Back Panel	1	23	Holster for remote control	1
12	Media Tray Base Panel	1	24	HDMI 90° adaptor	1

Inside  
accessory  
box

## Fittings Checklist

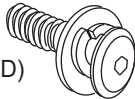
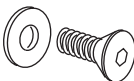
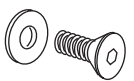
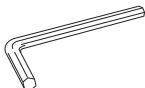

### HARDWARE NEEDED FOR FITTING GAS-LIFT MECHANISMS (PACK A)

Ref.	Description	Qty	Ref.	Description	Qty
A	Bolts (M8x30mm) for fitting gas-lift mechanisms (E) to headboard & footboard (1&2)	x8	E (a)	Gas-Lift Mechanisms	x1
B	Spring Washers (for M8 bolts)	x8			
C	Flat Washers (for M8 bolts)	x8			
D	Allen Key (for M8 bolt)	x1			
			E (b)		x1

### HARDWARE NEEDED FOR BED ASSEMBLY (PACK B)

Ref.	Description	Qty	Ref.	Description	Qty
A	Bolts (M8x30mm) for fitting side rails (3&4) to headboard & footboard (1&2)	x16	C	Flat Washers (for M8 bolts)	x16
B	Spring Washers (for M8 bolts)	x16			

### TV INSTALLATION KIT - Inside Pack (B)

a x2	Screw-Washer sets (M8x25mm) Use 5mm Allen Key (D)		Counter-Sunk Screws (M6x12mm)		Counter-Sunk Screws (M4x12mm)	
b x2	Allen Key (4mm)		Allen Key (2.5mm)			

### HARDWARE NEEDED FOR MEDIA TRAY ASSEMBLY (PACK C)

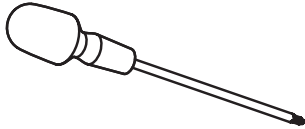
Ref.	Description	Qty	Ref	Description	Qty
A	Bolts (M8x30mm) for fitting media tray to side rail (3)	x4	F	Screws (5x50mm) for assembling media tray panels	x11
C	Flat Washers (for M8 bolts)	x4	G	Plastic Barrel Nuts	x11

## Fittings Checklist

### HARDWARE FOR FITTING METAL SLAT FRAME (PACK D)

Ref.	Description	Qty	Ref.	Description	Qty
A	Bolts (M8x30mm) for fitting metal support rails (7) and gas-lift mechanisms (E) to mattress base boards (5&6).	x18	H	Flange Lock-Nuts (M8) for gas-lift pistons	x2
B	Spring Washers (for M8 bolts)	x22	J	Spanner (for M8 nut)	x1
C	Flat Washers (for M8 bolts)	x22	K	Nut for fitting mattress stoppers (8) to Mattress Base Boards (5&6).	x4

## Additional Tools Required



Cross-head Screwdriver

## Care & Maintenance

In the unlikely event of missing or damaged parts, please contact your retailer. Please have this guide at hand quoting the part code reference numbers shown when requesting spare or replacement parts.

## General Hints & Tips



Please retain your assembly instruction and tools provided for future use. Periodically check that all bolts are still tight.

Assembly requires two persons.

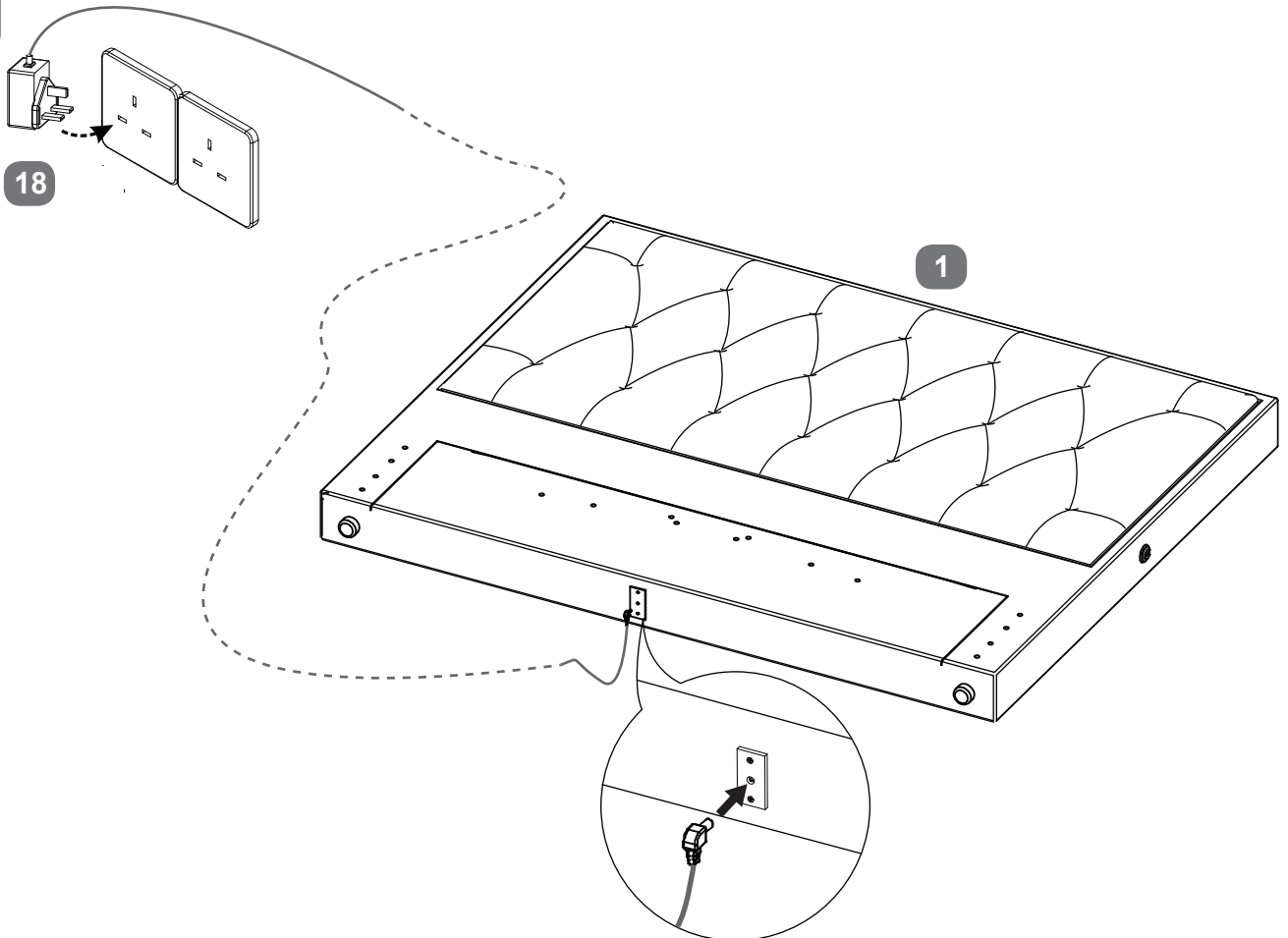


Approximate time to assemble this product

2 1/2 Hrs

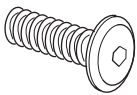



## Electrical & Cable Connections

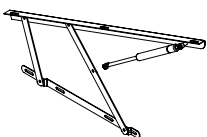
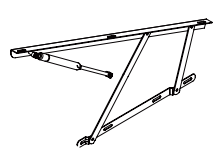
Stage  
1

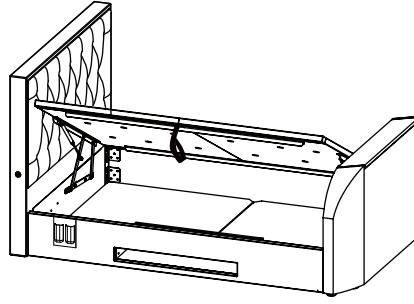
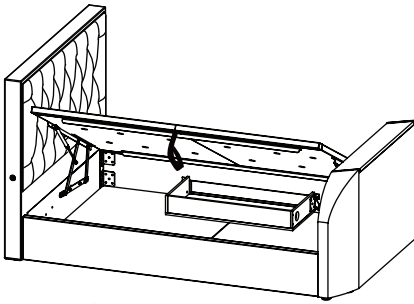


Stage  
2a

LEFT

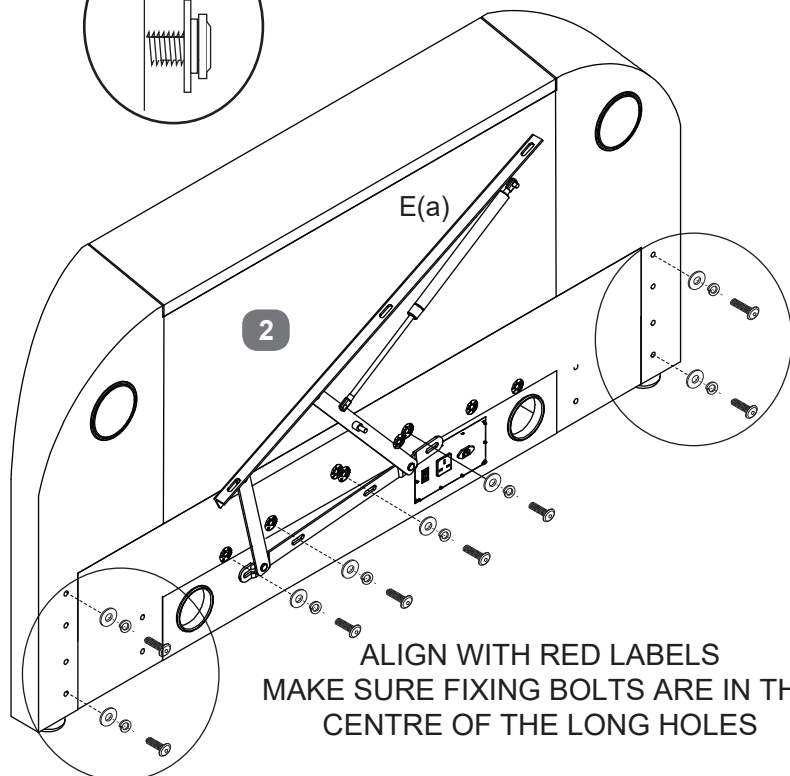
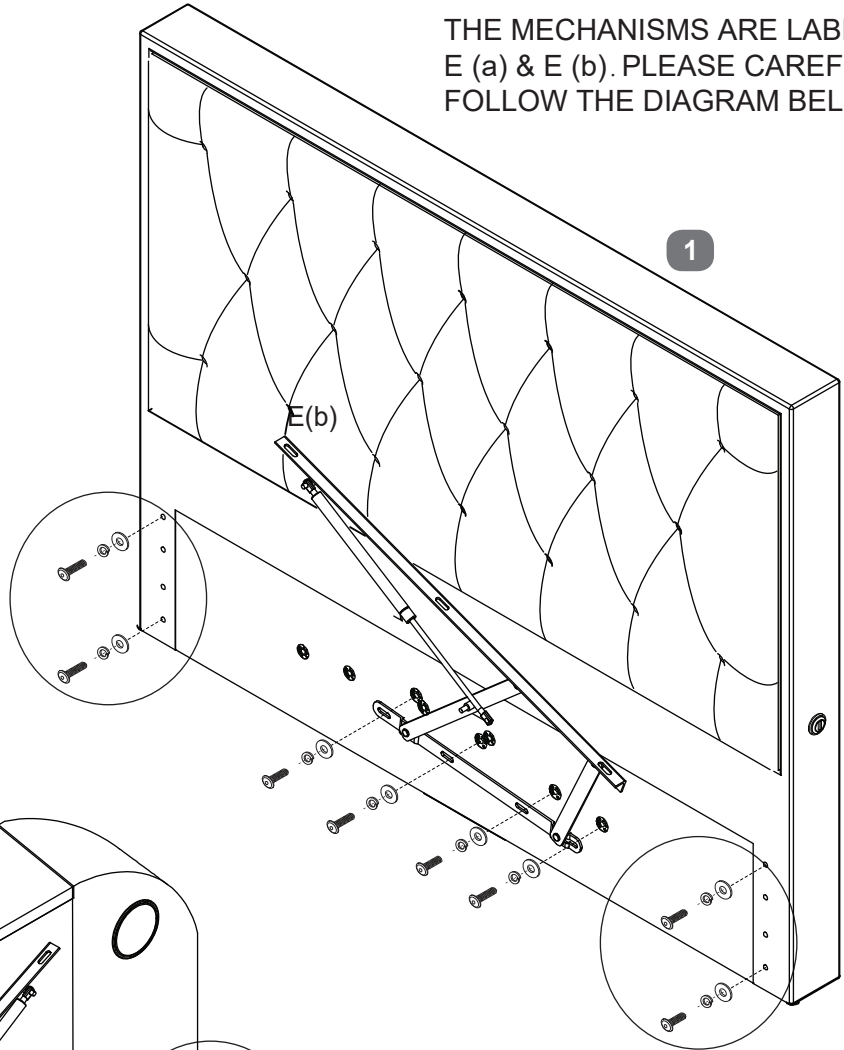
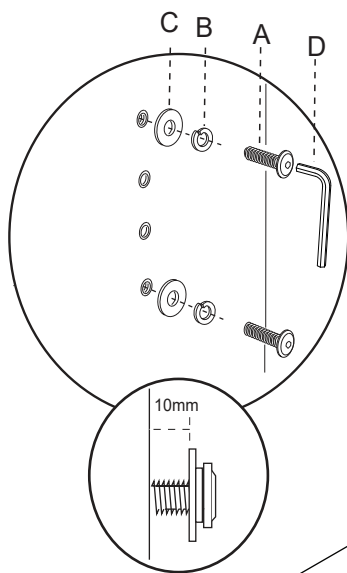
- A  x16    B  x16    C  x16    D  x1

- E (a)  x1    E (b)  x1

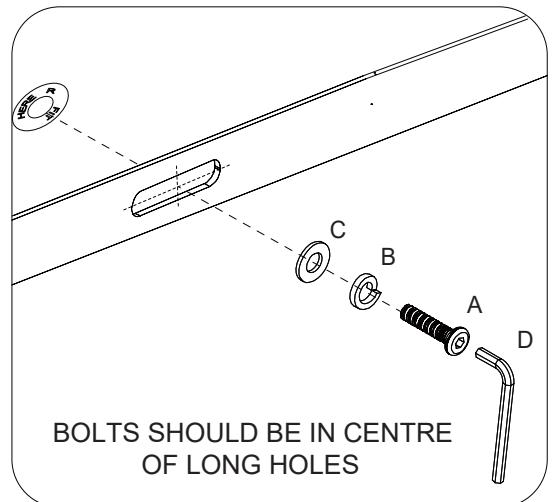


CHECK THIS DIAGRAM AND IF ACCESS IS NEEDED FROM LEFT SIDE OF BED, FIT BOTH LIFT MECHANISMS TO **RIGHT** SIDE OF THE BED. BOLT INTO THE HOLES MARKED (R) WITH RED LABELS.

THE MECHANISMS ARE LABELED E (a) & E (b). PLEASE CAREFULLY FOLLOW THE DIAGRAM BELOW.



ALIGN WITH RED LABELS  
MAKE SURE FIXING BOLTS ARE IN THE  
CENTRE OF THE LONG HOLES

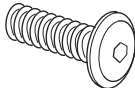



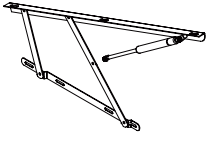
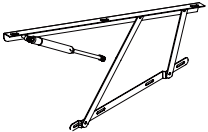
BOLTS SHOULD BE IN CENTRE  
OF LONG HOLES

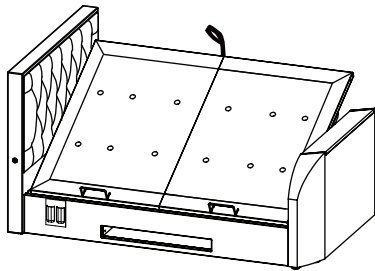
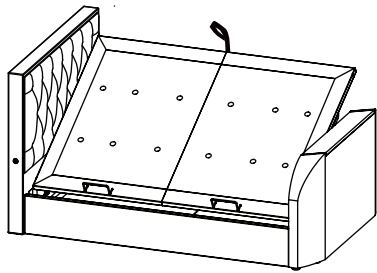
# Bed Assembly - Use Pack 'A&B'

Stage  
2b

RIGHT

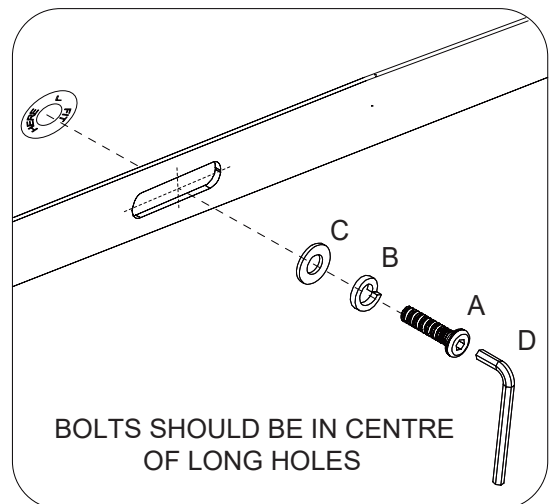
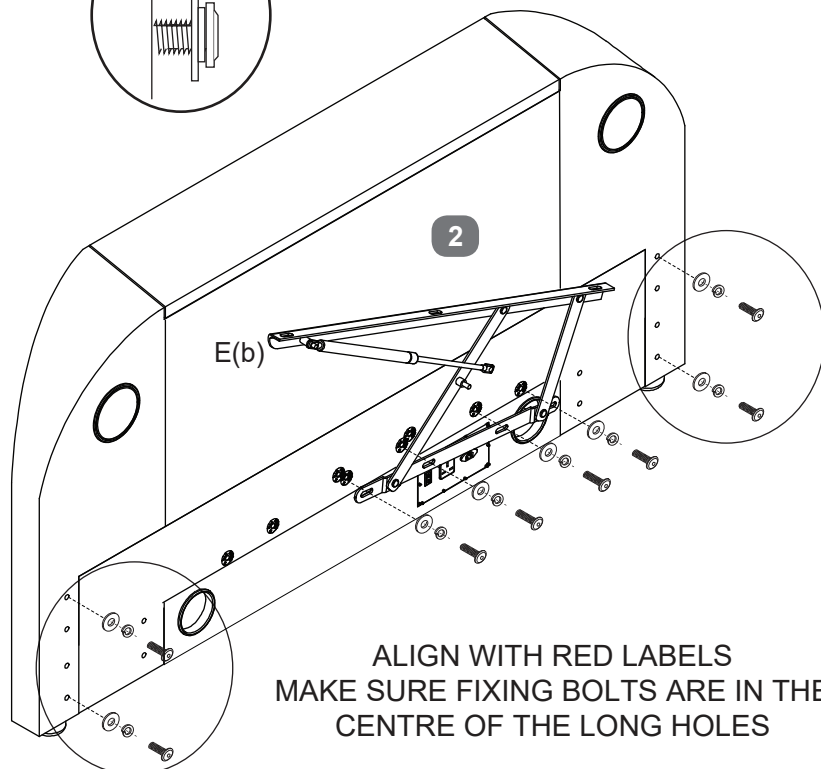
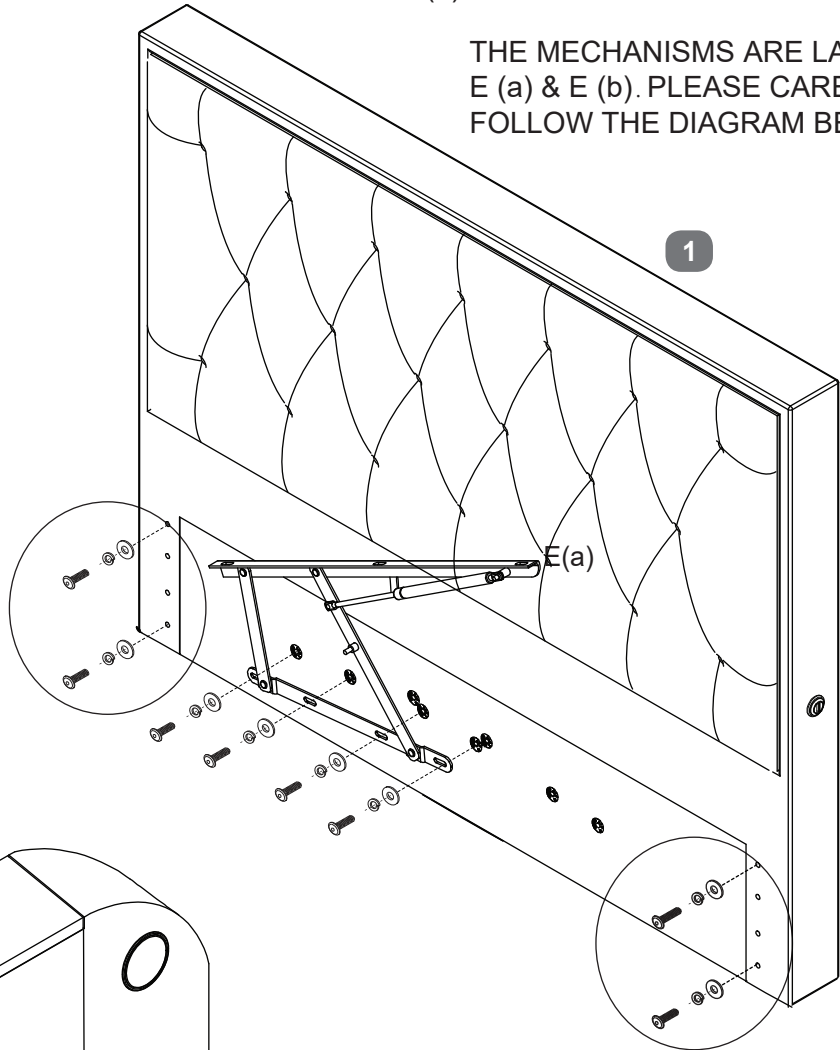
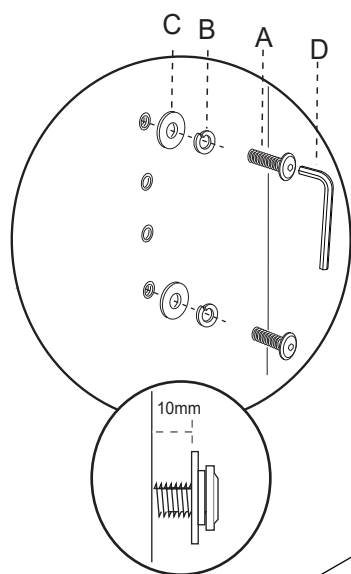
- A  x16
- B  x16
- C  x16
- D  x1

- E (a)  x1
- E (b)  x1



CHECK THIS DIAGRAM AND IF ACCESS IS NEEDED FROM RIGHT SIDE OF BED, FIT BOTH LIFT MECHANISMS TO **LEFT** SIDE OF THE BED. BOLT INTO THE HOLES MARKED (L) WITH RED LABELS.

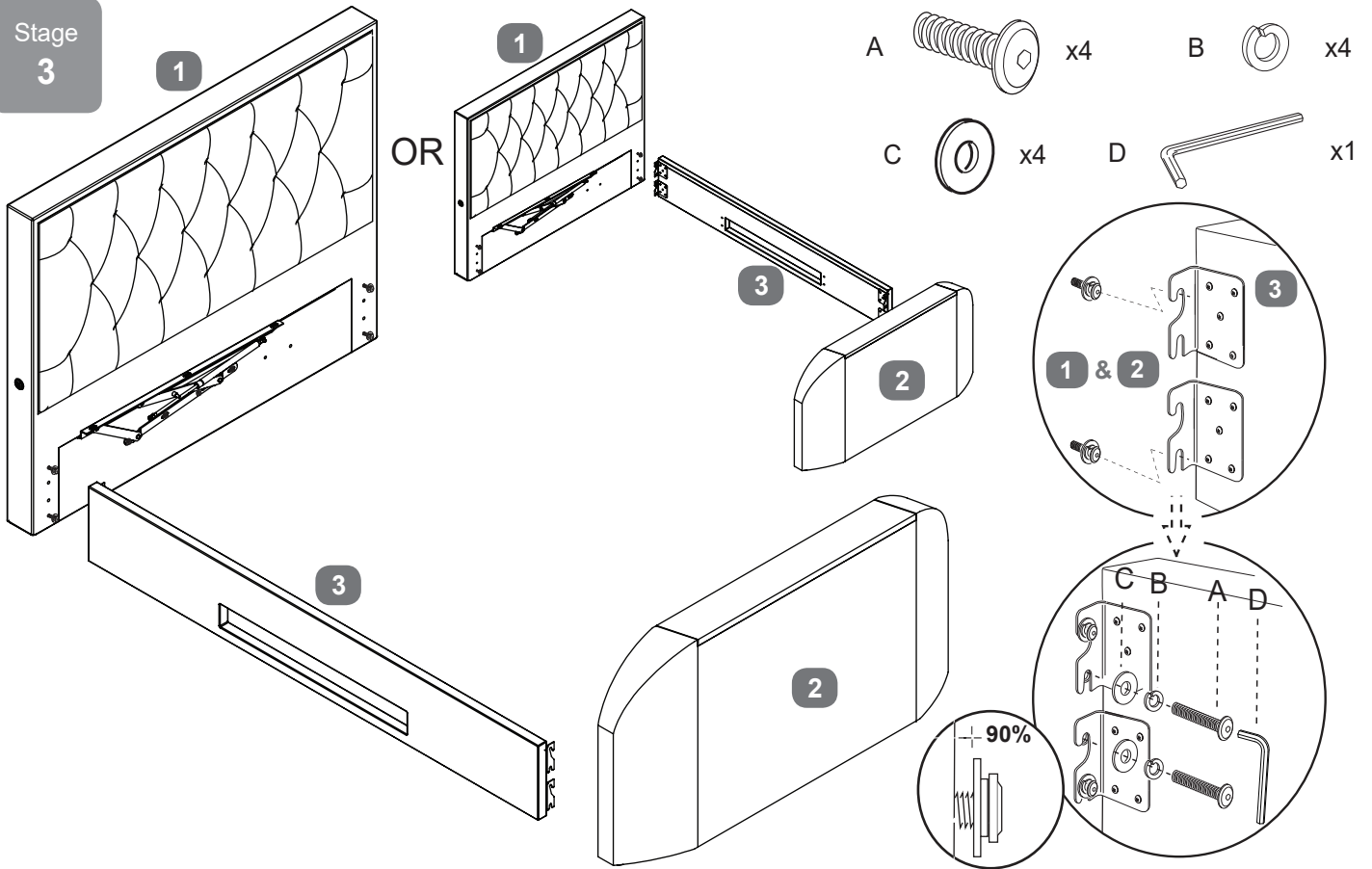
THE MECHANISMS ARE LABELED E (a) & E (b). PLEASE CAREFULLY FOLLOW THE DIAGRAM BELOW.





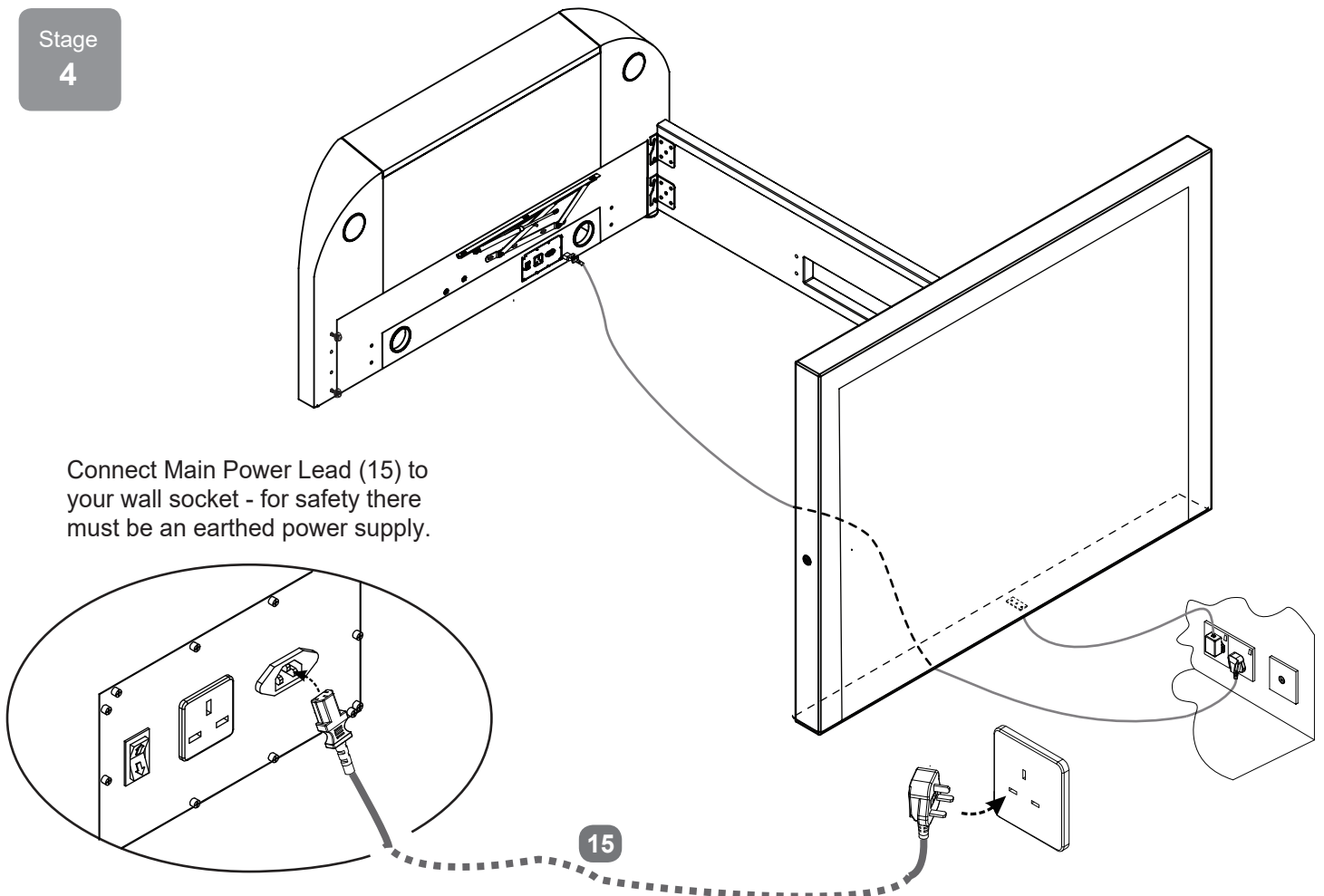
## Bed Assembly - Use Pack 'B'

Stage  
3



## Electrical & Cable Connections

Stage  
4

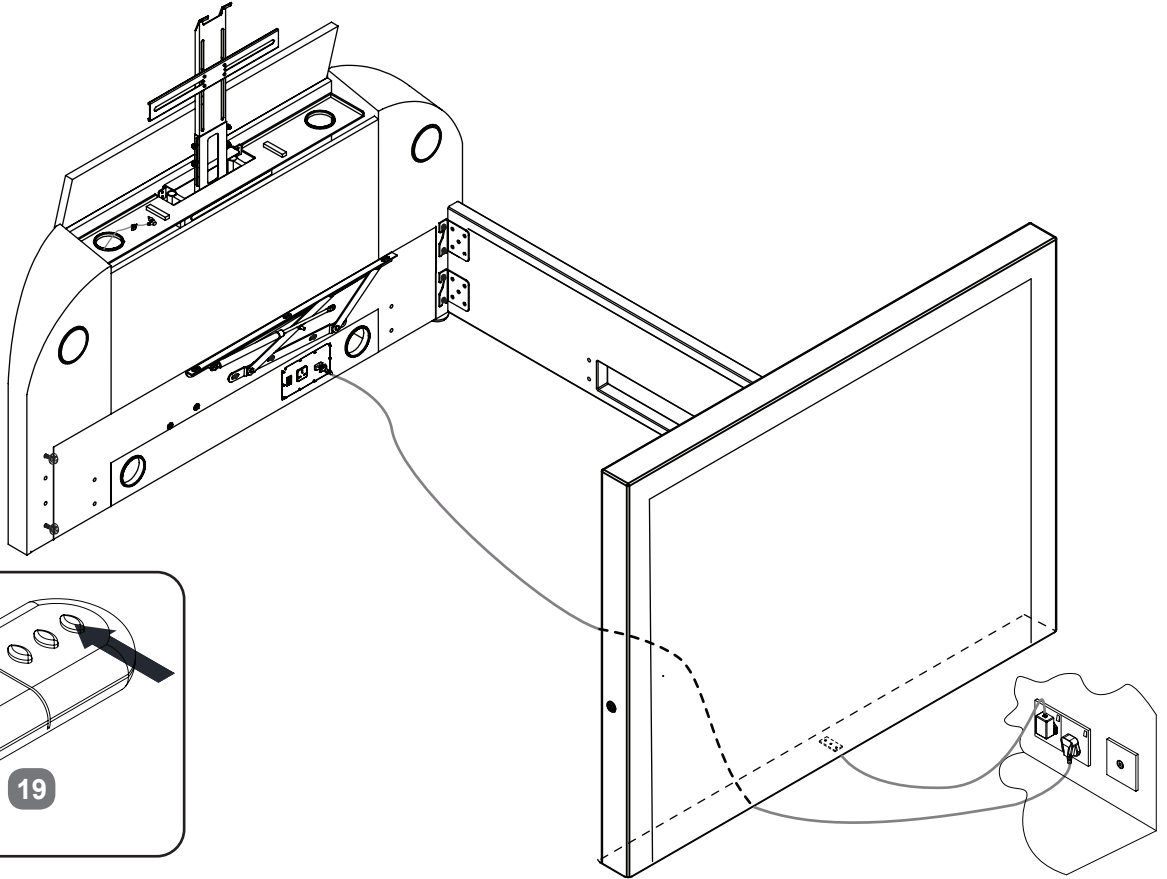
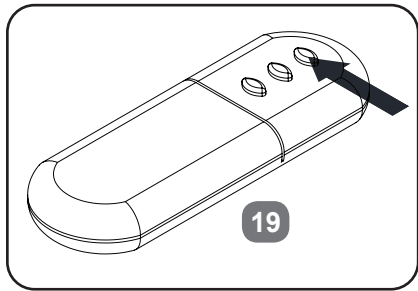




# Electrical & Cable Connections

Stage  
5

Press the "UP" button to raise the TV lift.

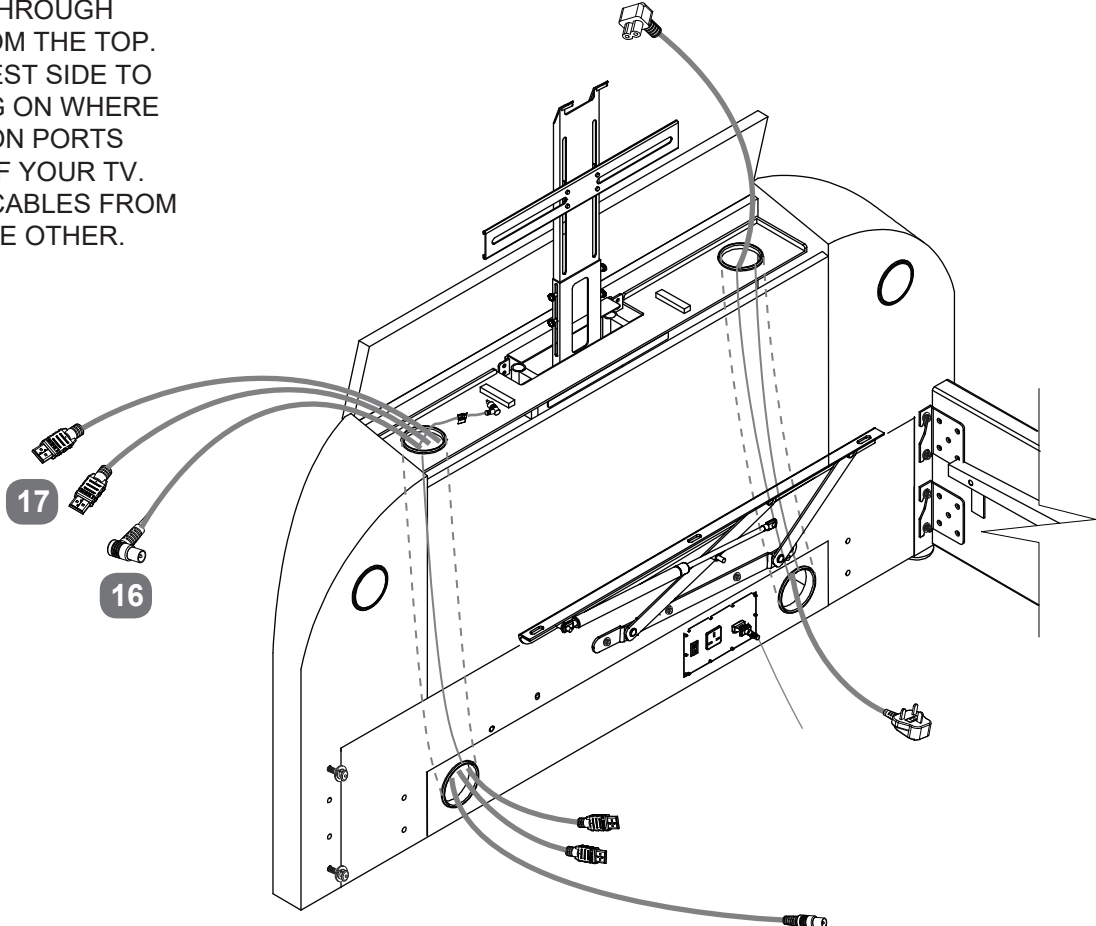


Stage  
6

**Note: For illustration purposes only, TV connections may vary.**

**TIP:**  
BEFORE FITTING THE TV, PUSH CABLES THROUGH EACH DUCT FROM THE TOP. CHOOSE THE BEST SIDE TO USE DEPENDING ON WHERE THE CONNECTION PORTS ARE ON BACK OF YOUR TV. NEVER CROSS CABLES FROM ONE SIDE TO THE OTHER.

TV Power Lead  
supplied with your TV

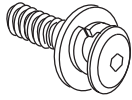


# TV Installation - Normal Vesa Fixing

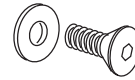
Stage  
7

IF SCREWS ARE SUPPLIED WITH TV, PLEASE USE THOSE IN PREFERENCE

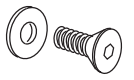
a x2 Screw-Washer sets (M8x25mm). Use 5mm Allen Key (D)



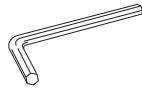
Counter-Sunk Screws (M6x12mm)



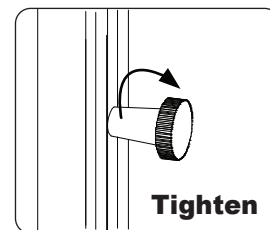
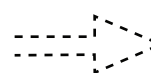
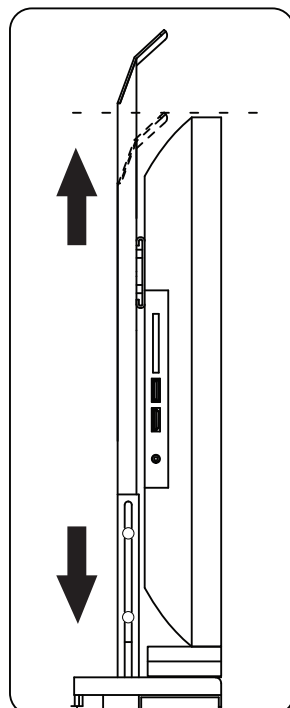
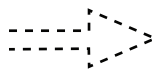
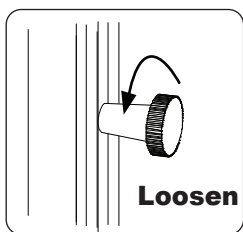
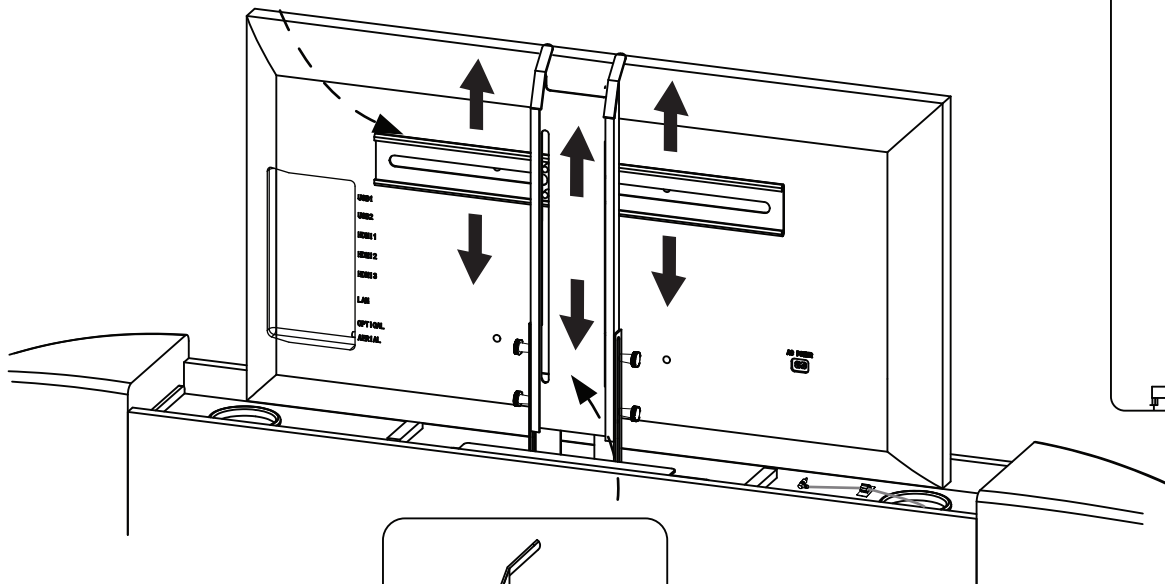
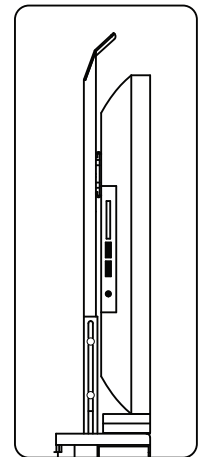
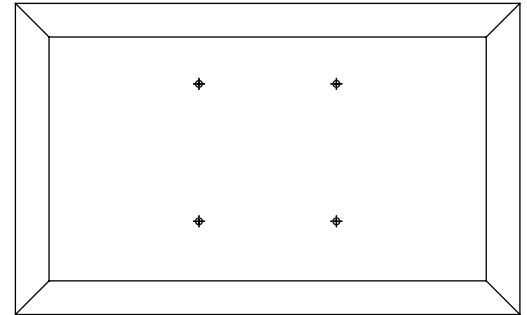
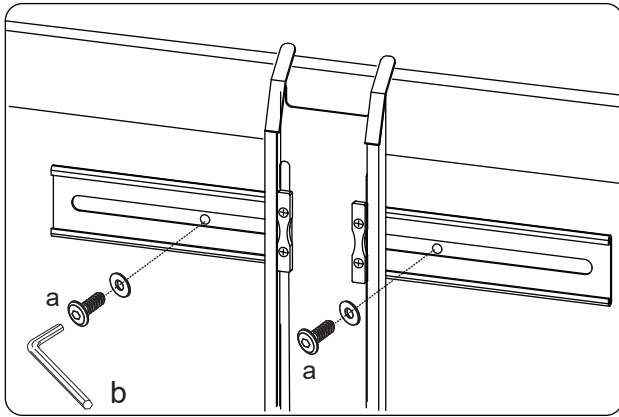
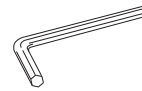
Counter-Sunk Screws (M4x12mm)



b x2 Allen Key (4mm)

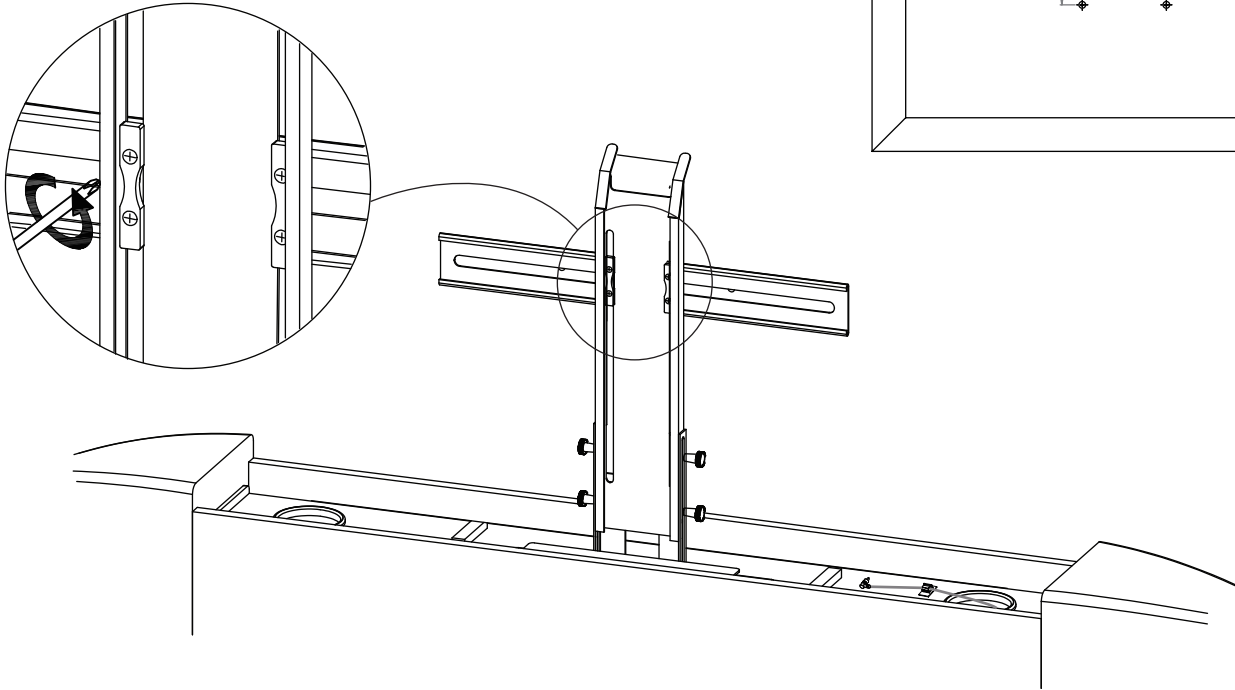
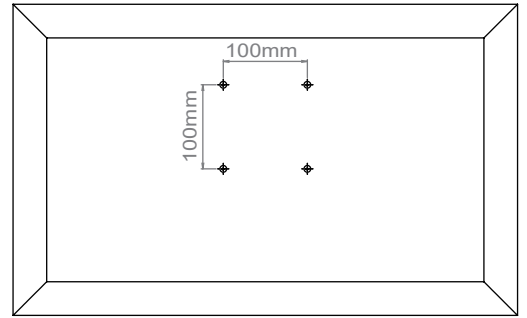


Allen Key (2.5mm)



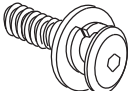
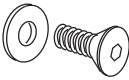
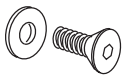
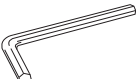
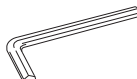
Stage  
8a

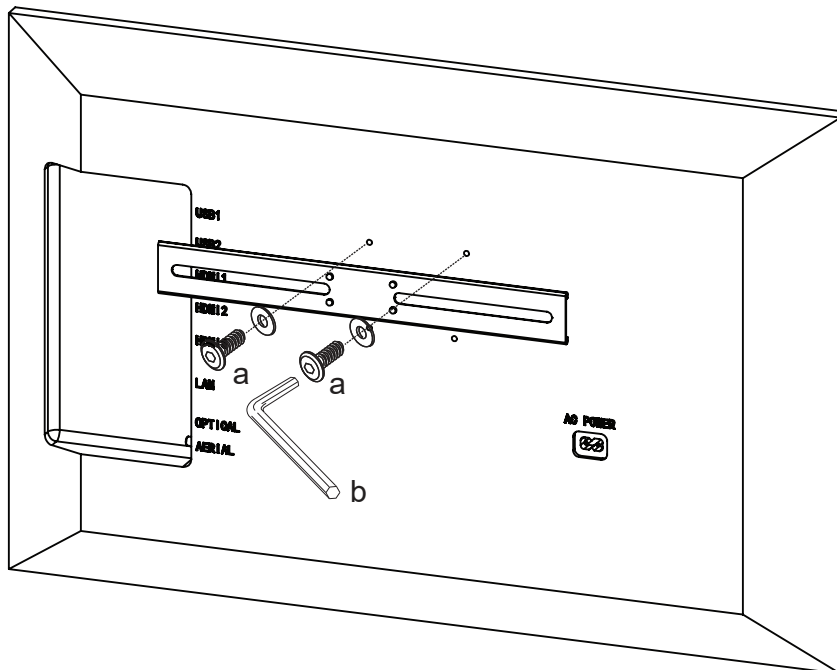
REMOVE CROSS-BRACKET  
AND FIX DIRECTLY TO BACK OF TV



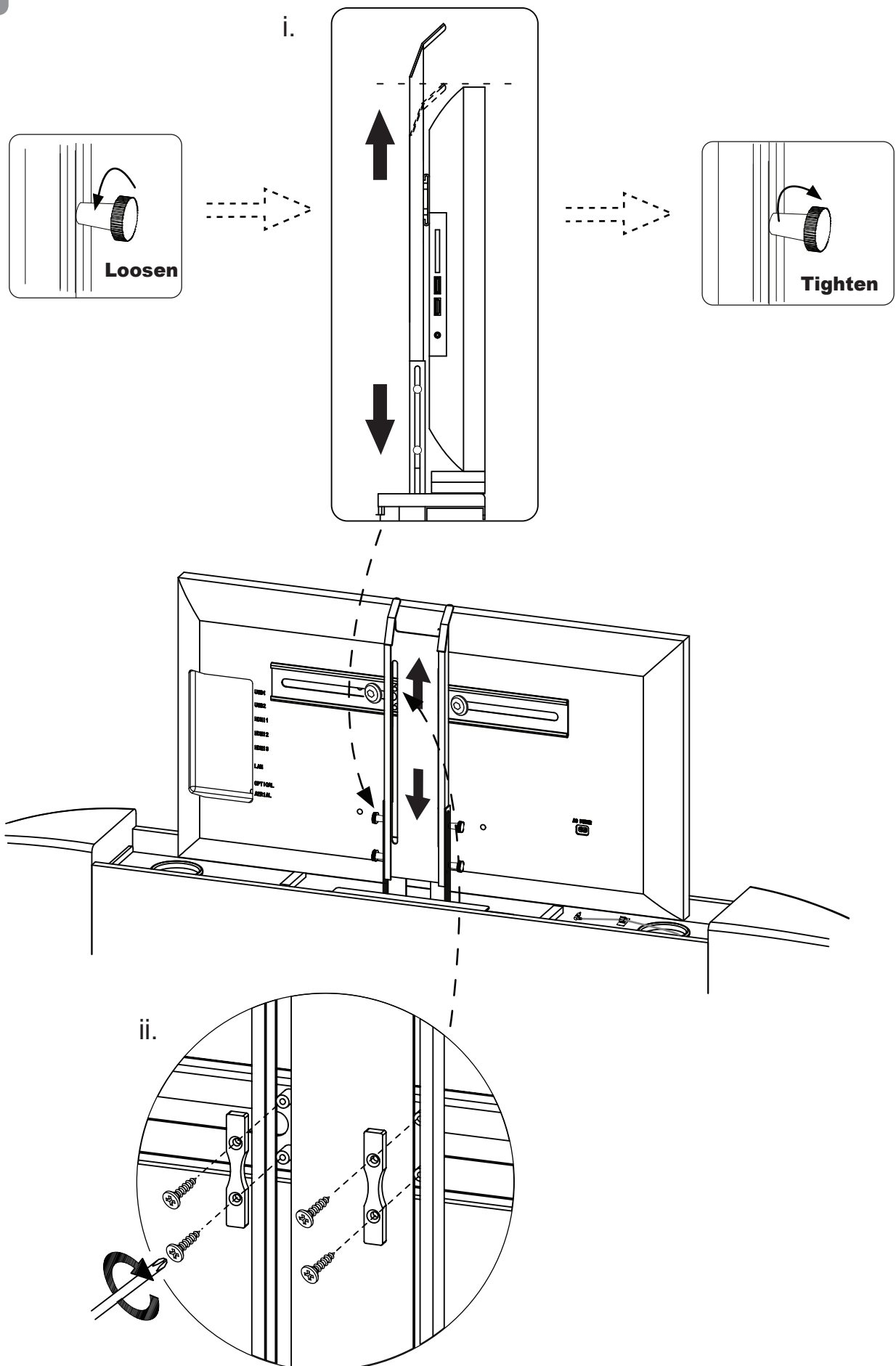
Stage  
8b

IF SCREWS ARE SUPPLIED WITH TV, PLEASE USE THOSE IN PREFERENCE

- a x2 Screw-Washer sets (M8x25mm) Use 5mm Allen Key (D) 
- Counter-Sunk Screws (M6x12mm) 
- Counter-Sunk Screws (M4x12mm) 
- b x2 Allen Key (4mm) 
- Allen Key (2.5mm) 



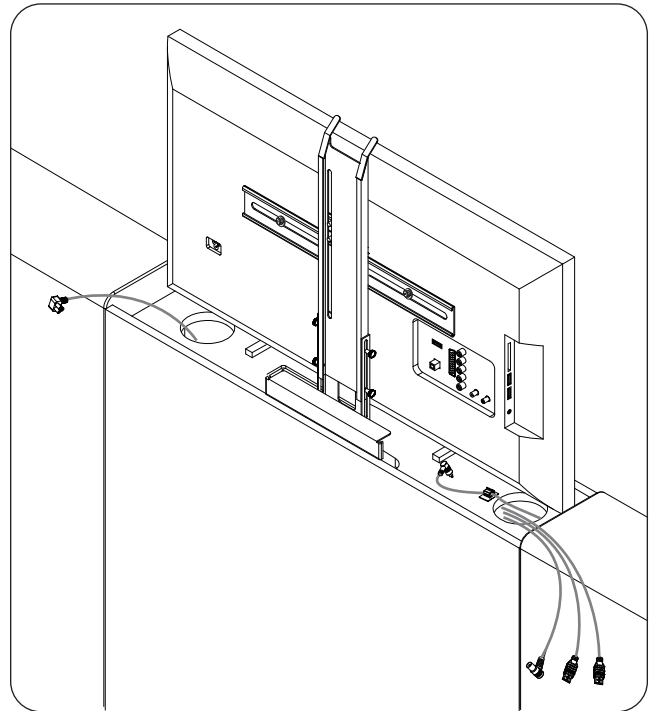
Stage  
8c



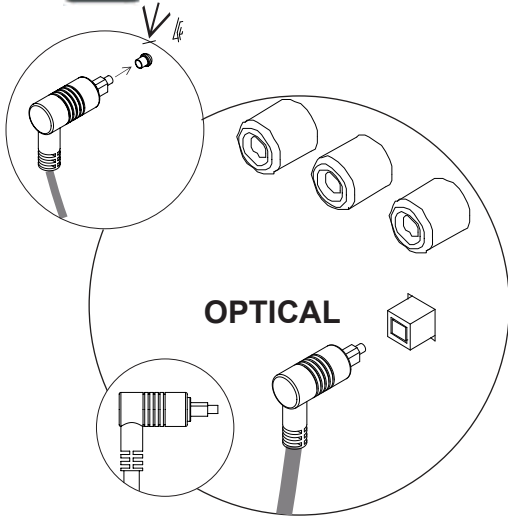
# Electrical & Cable Connections

Stage  
9

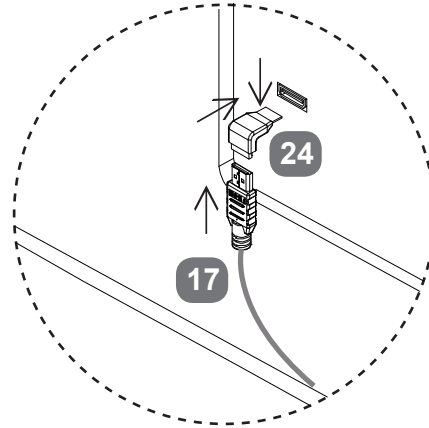
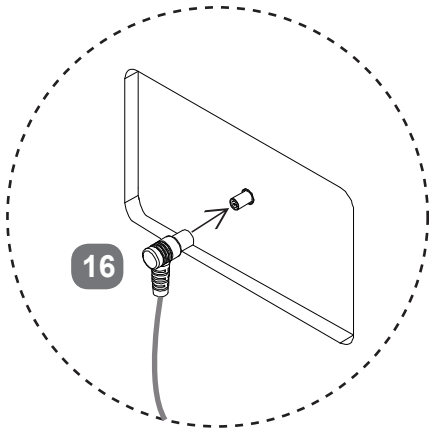
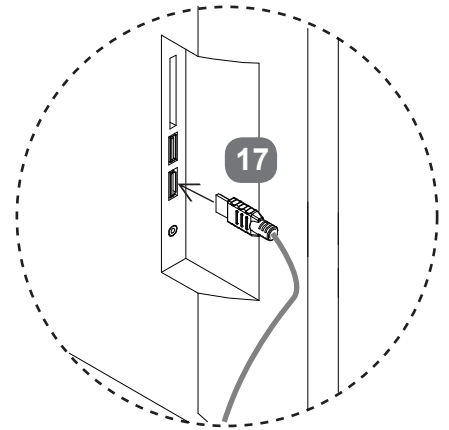
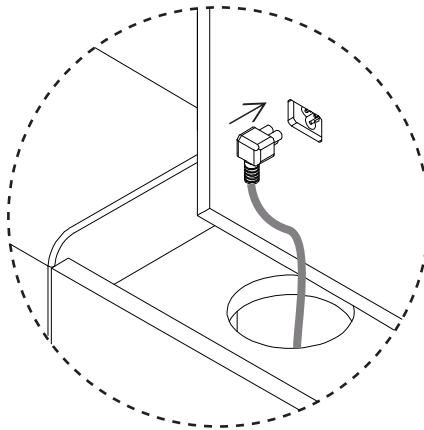
**Note: For illustration purposes only, TV connections may vary.**



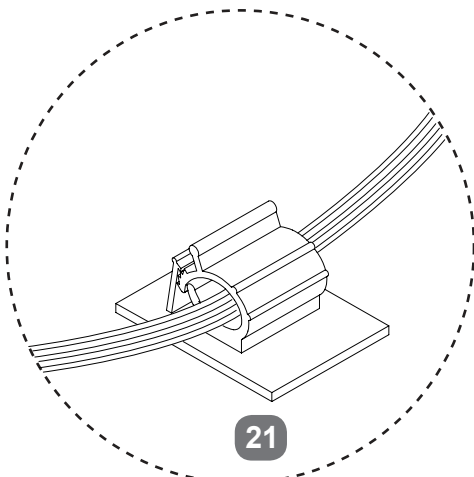
**REMOVE DUST-CAP**



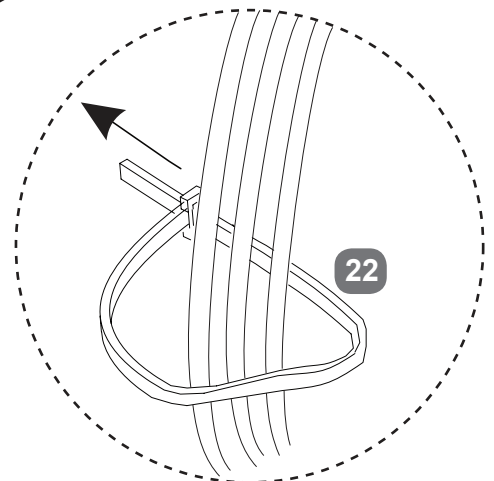
TV Power Lead  
supplied with your TV



**90° HDMI  
ADAPTER  
IF REQUIRED**



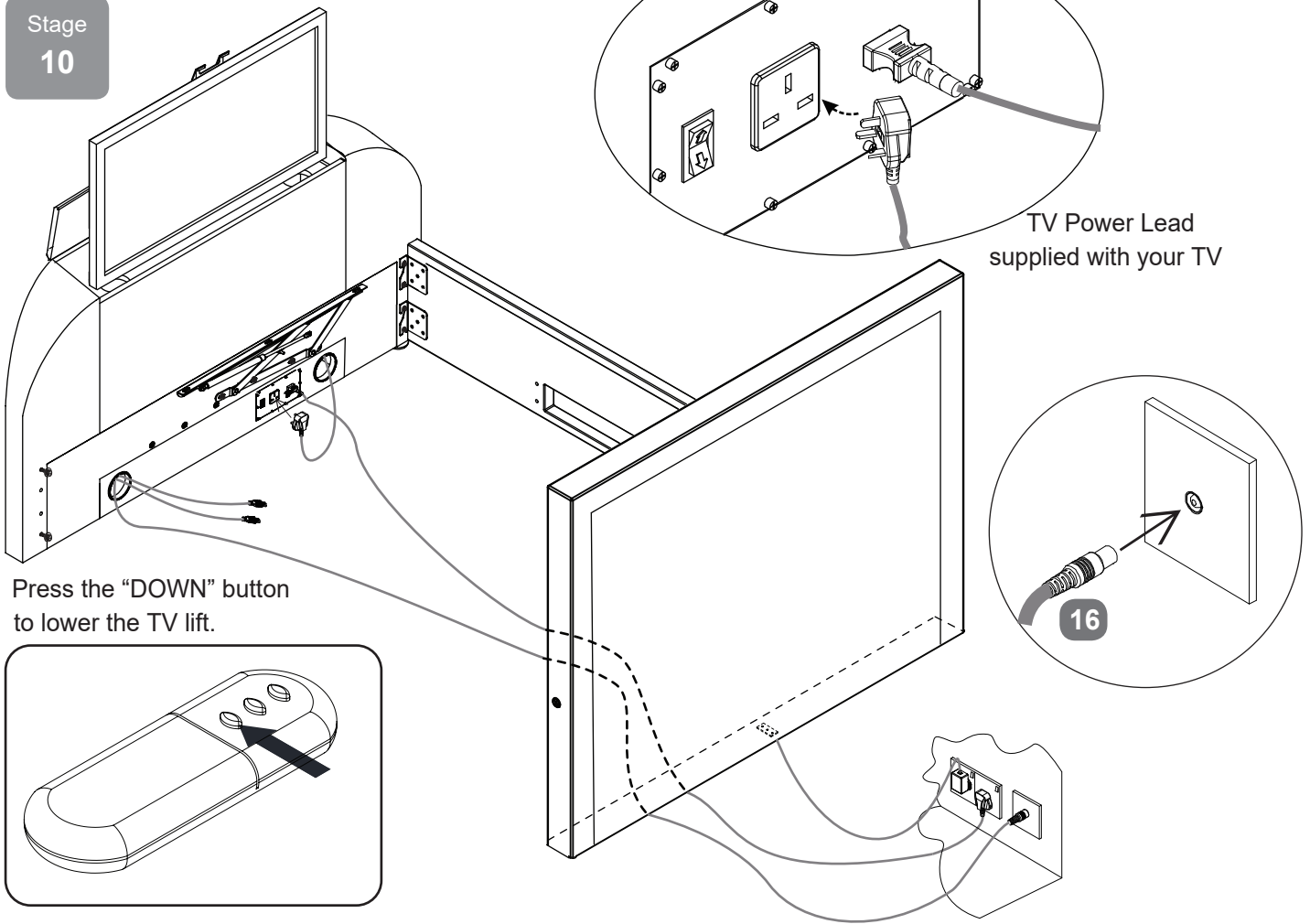
**PLUG IN - KEEP ALL  
CABLES TIGHT - USE  
CLIPS & TIES PROVIDED.**



Keep wires tight - peel  
off cover from cable clips  
& adhere to back of TV.

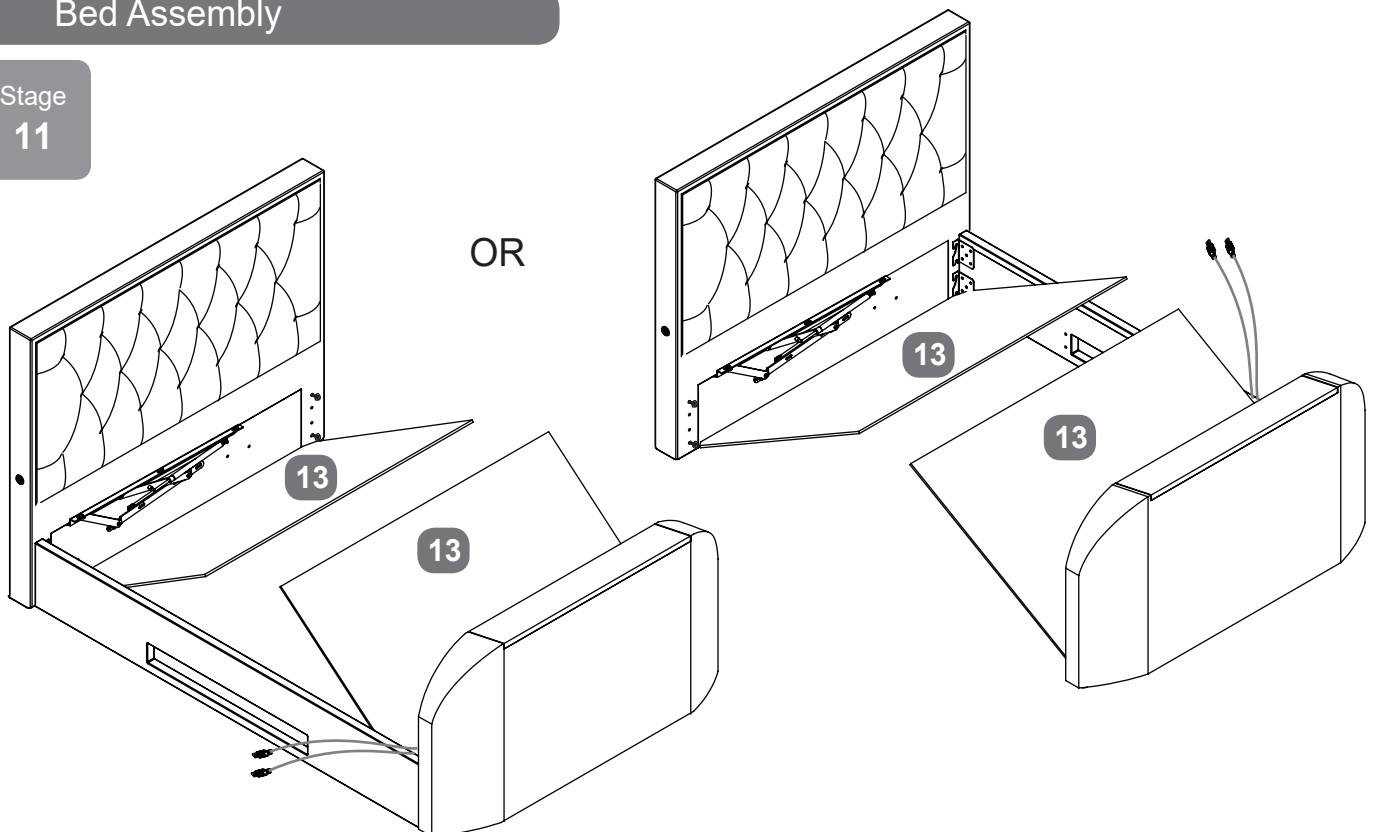
## Electrical & Cable Connections

Stage  
10



## Bed Assembly

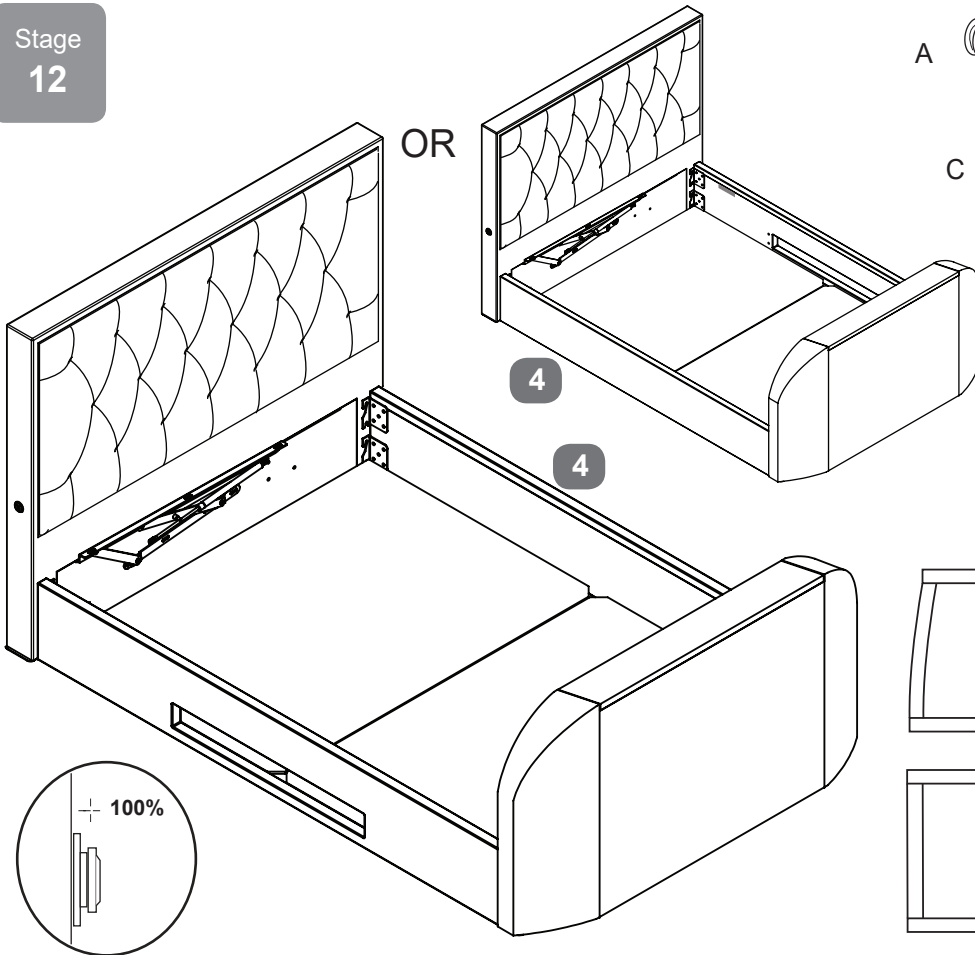
Stage  
11



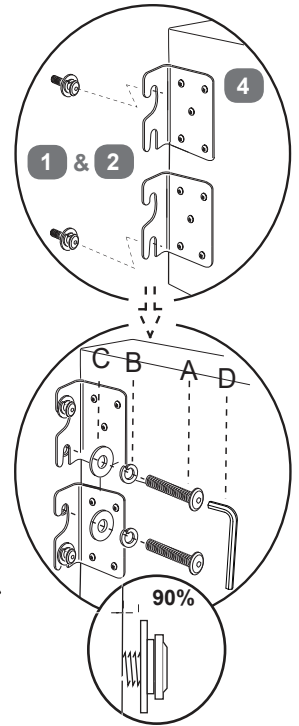
**IMPORTANT:** Be careful to keep the two 2.8 mt HDMI Leads (17) on top of the Base Boards. Main power lead (15) and Aerial lead (16) should be kept under the baseboards & fed out under the headboard so you can connect to your wall sockets.

# Bed Assembly - Use Pack 'B'

Stage  
12

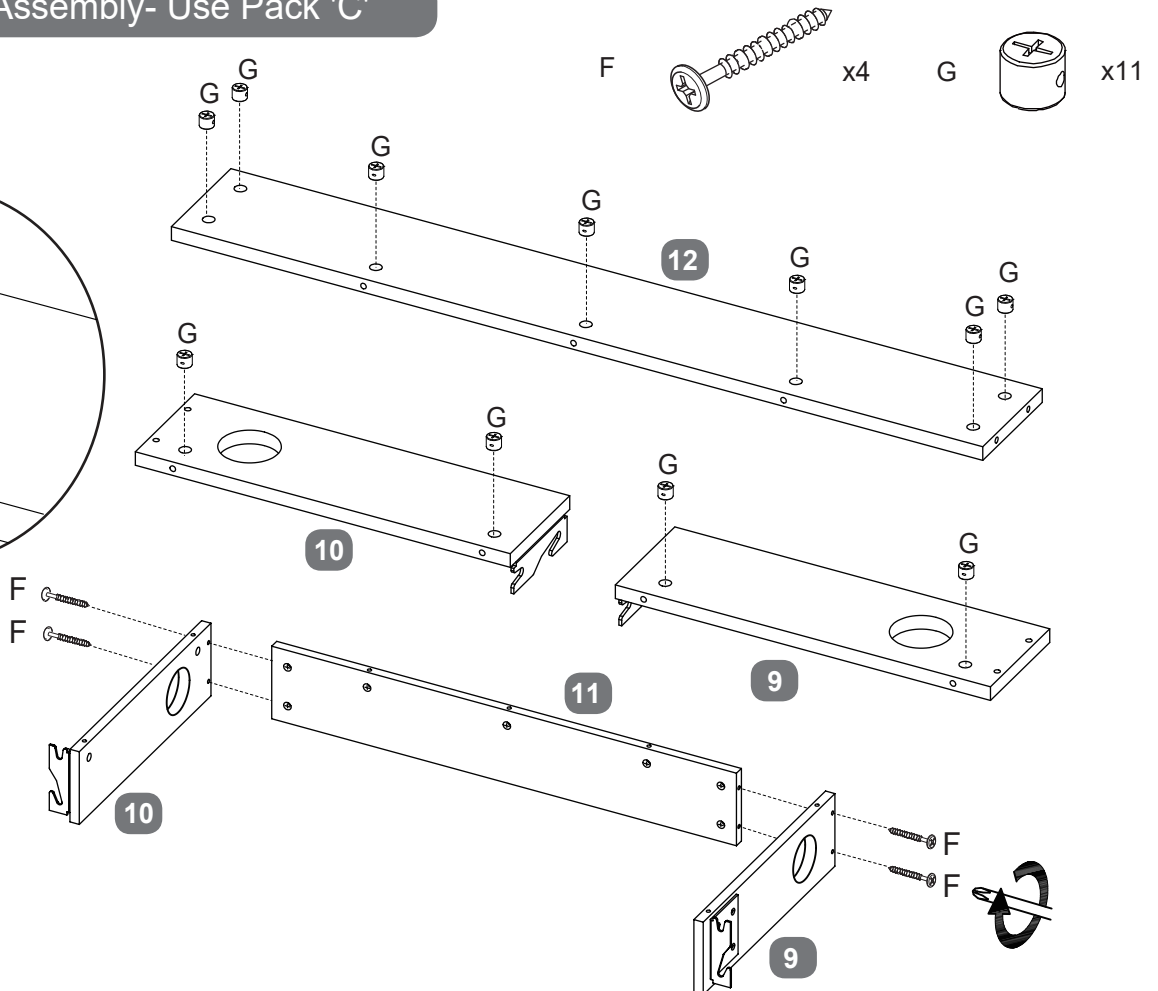
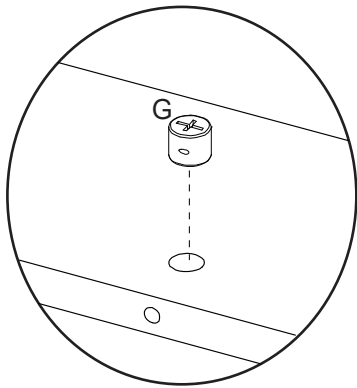


- A x4
- B x4
- C x4
- D x1



# Media Tray Assembly- Use Pack 'C'

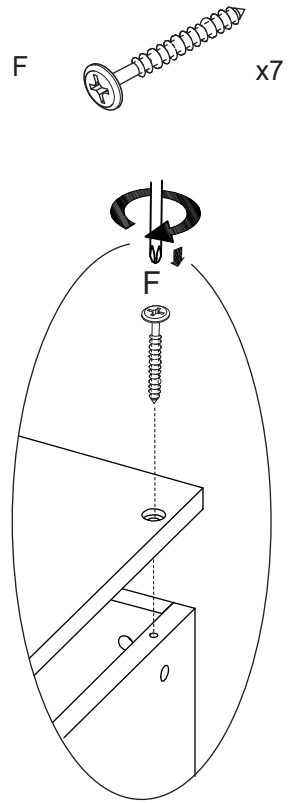
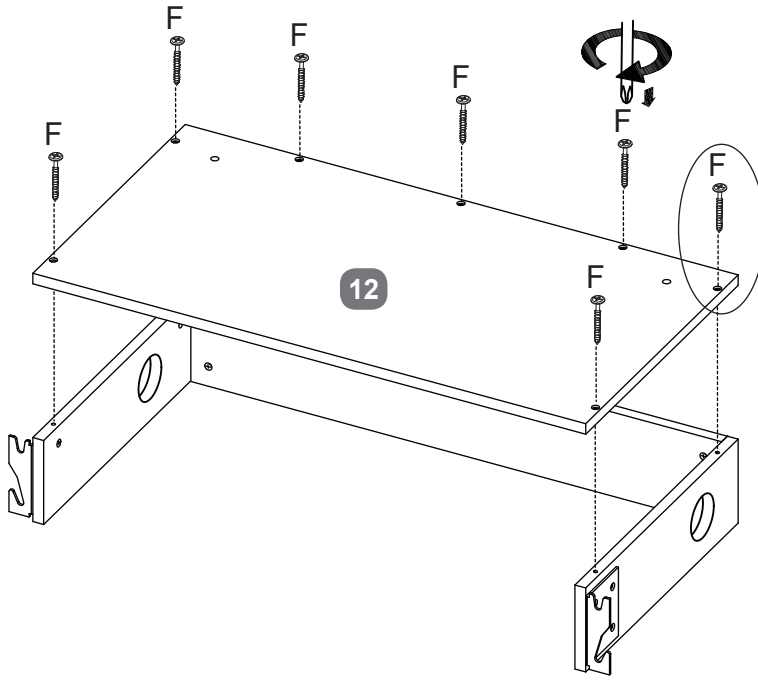
Stage  
13



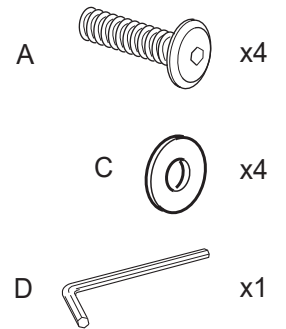
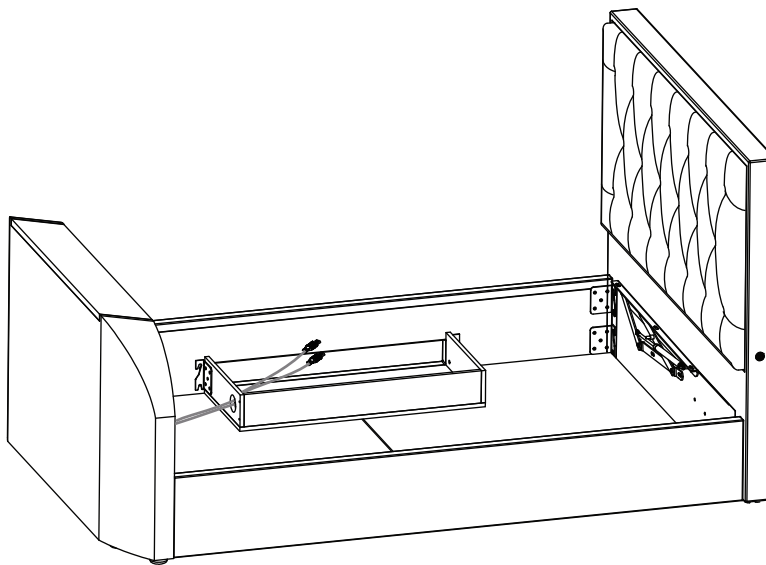


# Media Tray Assembly - Use Pack 'C'

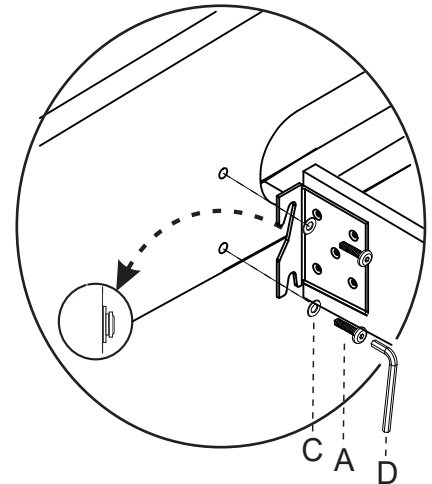
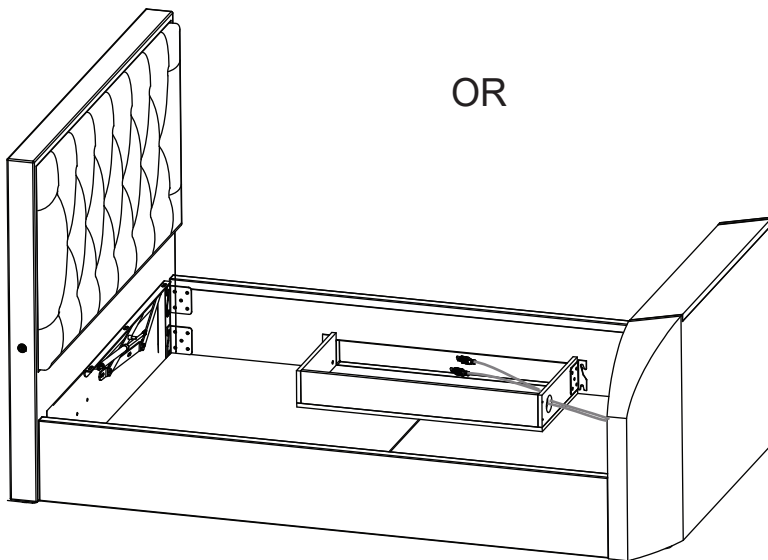
Stage  
14



Stage  
15

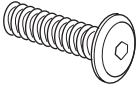







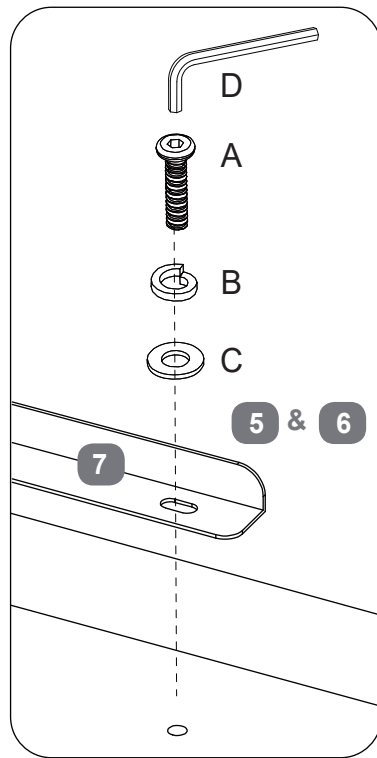
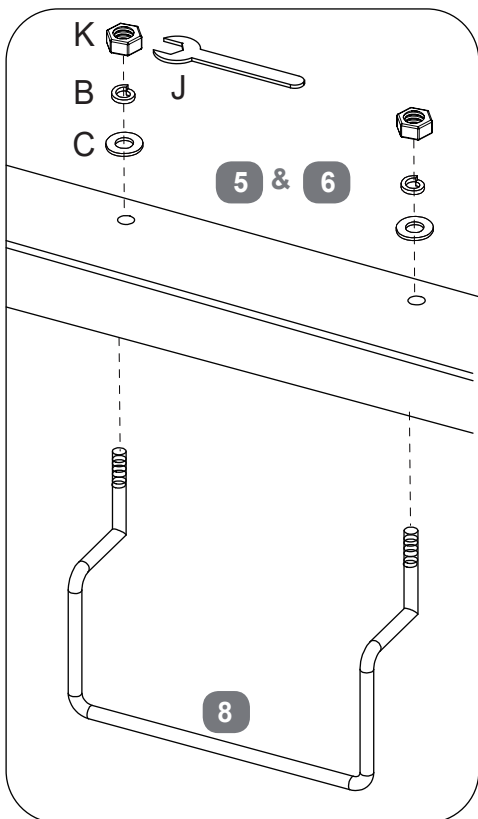
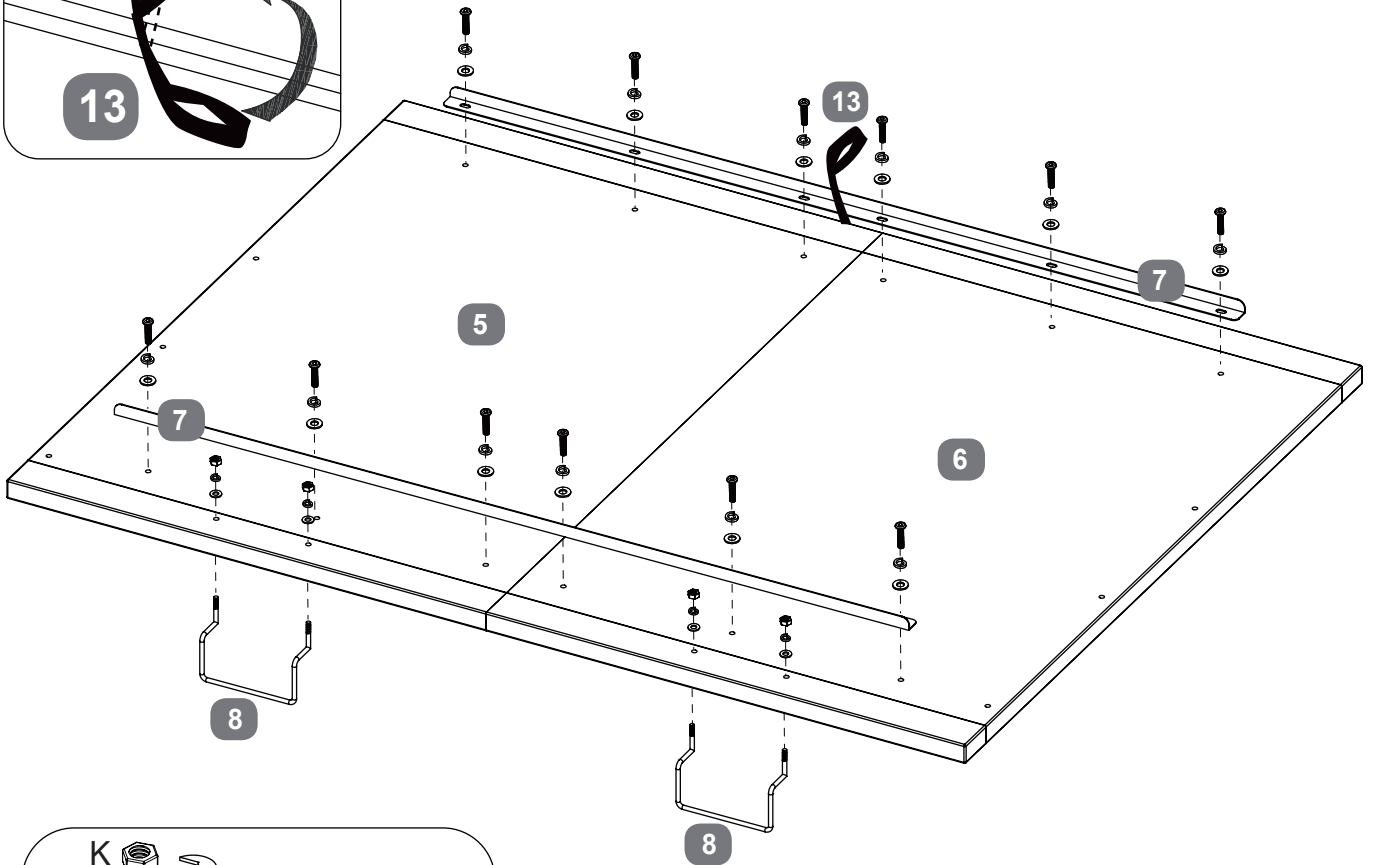
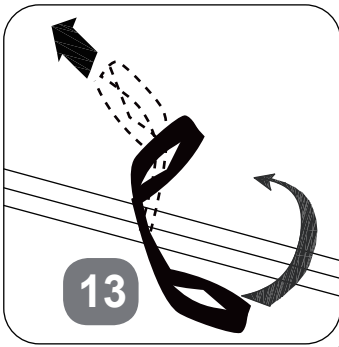
OR



# Mattress Base Board Assembly - Use Pack 'D'

Stage  
16

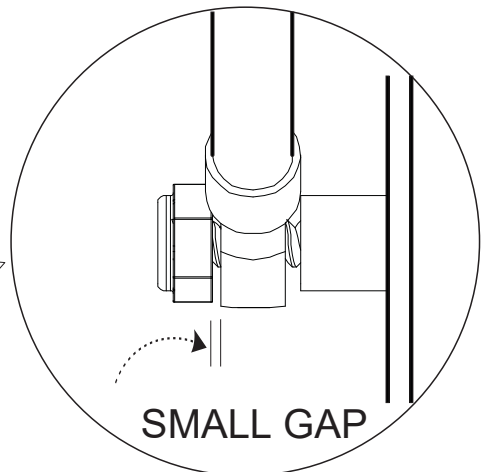
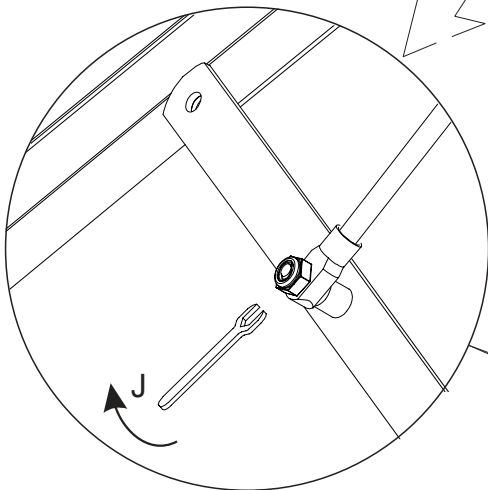
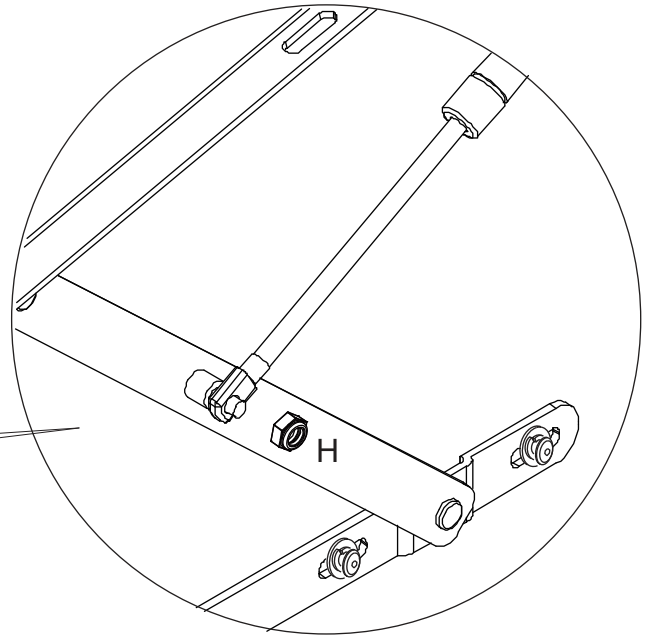
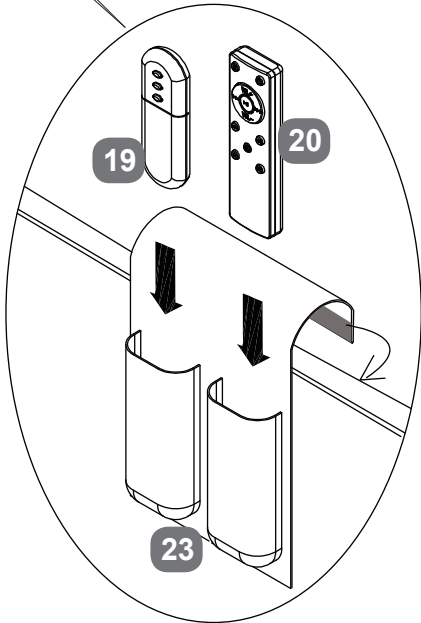
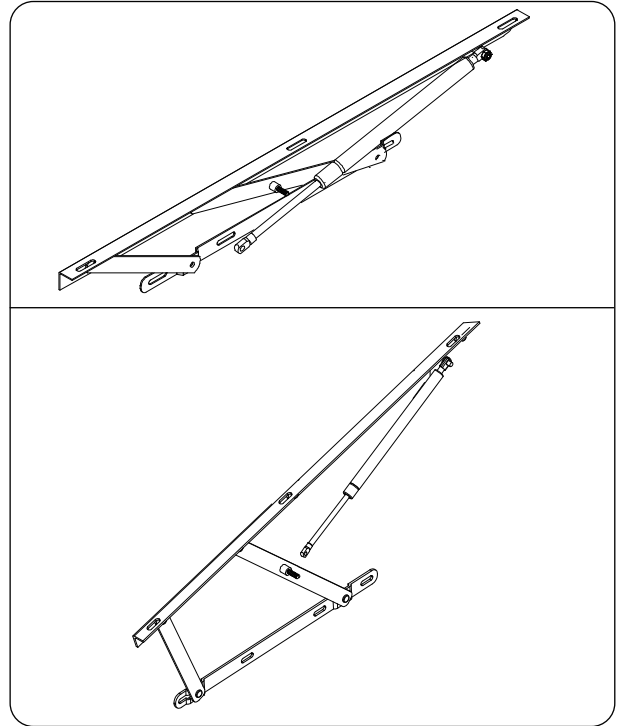
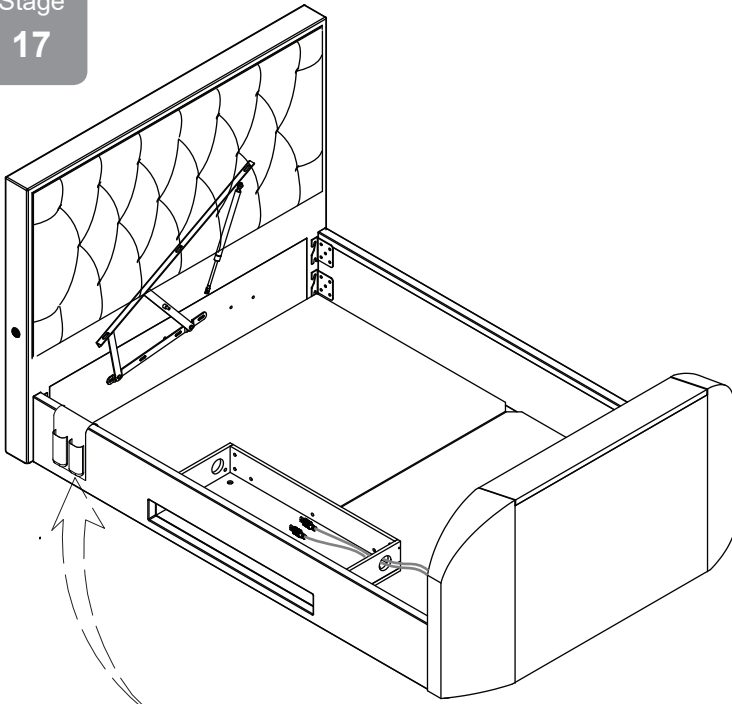
- A  x12
- B  x16
- C  x16
- D  x1
- J  x1
- K  x4



# Mattress Base Board Assembly - Use Pack 'D'

Stage  
17

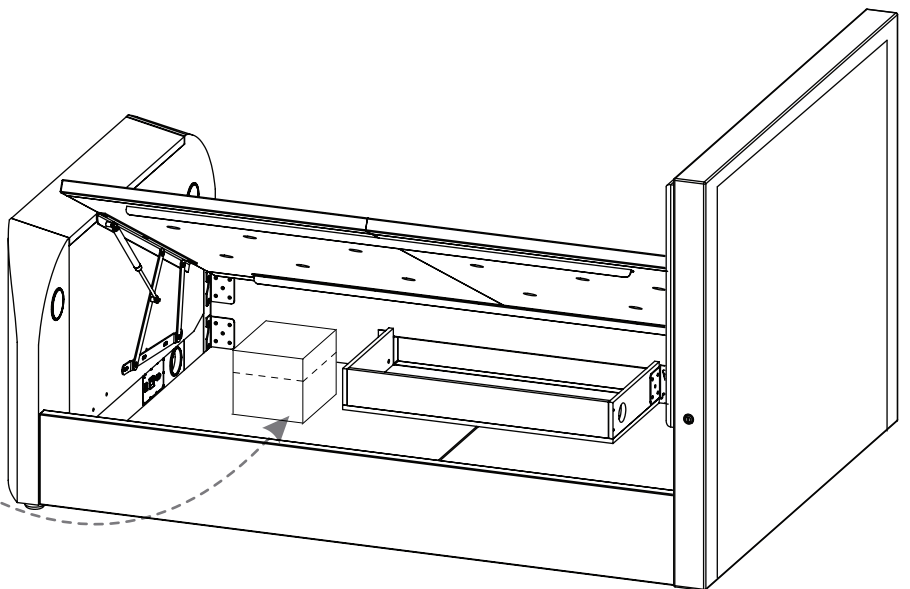
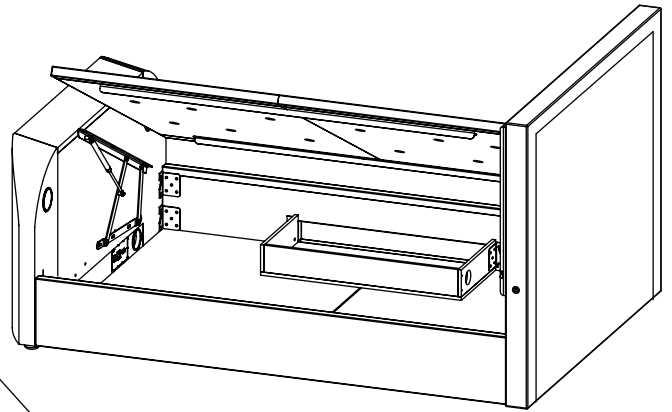
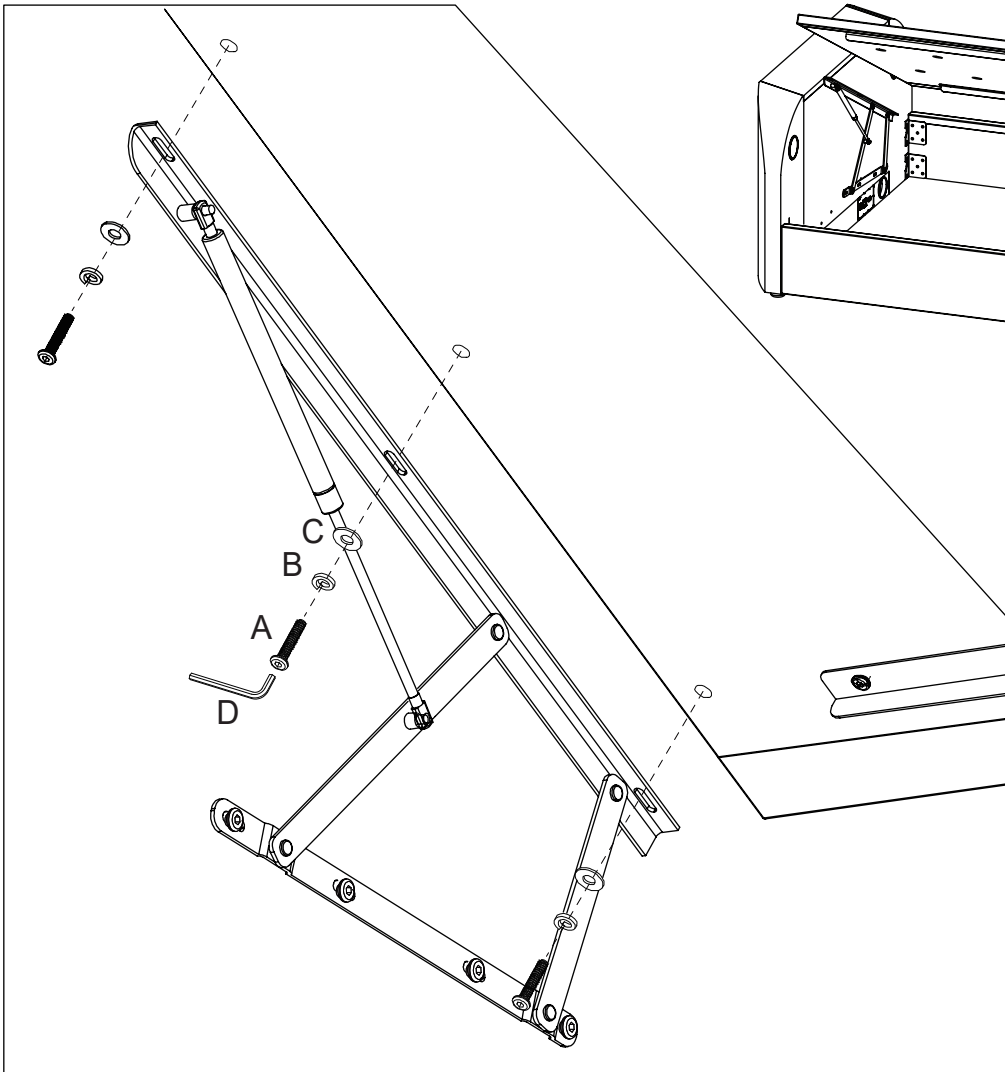
H  x2 J  x1



# Mattress Base Board Assembly - Use Pack 'D'

Stage  
18

- A  x6
- B  x6
- C  x6
- D  x1



Note: Be very careful what you store under the bed - the top of an item, like a suitcase or a box, must not touch the slats or they shall be damaged. Maximum storage height is 280mm.



## GENERAL INFORMATION

It is very important not to place any vessel containing liquids, e.g. drinks or vase of flowers, on top of the TV footboard which may accidentally spill and enter the TV compartment as this could cause damage to the TV and/or the TV lifting equipment. If this happens, please contact your retailer.

Do not expose the bed to an undue level of heat - keep away from radiators.

Never allow anyone to sit on the foot end of the bed - keep children well away from moving parts.

To keep bed clean, we recommend that it be wiped over with a slightly dampened cloth or if fabric, use a light vacuum cleaner; always disconnect power before cleaning.

Supplied with the bed are remote controls to operate the Music system and TV Lift, When you fit your own TV there is a remote control to operate it as well. All these remotes use batteries - there are no batteries in the rest of the equipment.

There are strict controls for disposal of batteries - your local council can advise on how to safely dispose of them.

Never burn batteries on an open fire as they could explode.

## CONNECTION TO SOUND SYSTEM - BT\_OPT

Connect all the power & make sure it is switched on. Select BT (Bluetooth) for Music or OPT (Optical) for TV. TV sound will play through the TV Bed speakers. Note that when switching to BT the picture remains on-screen. BT mode will still work when TV is lowered into its rest position in bottom of the footboard. BT connection name is REMO4.9?? (?? depends on the model).

## IMPORTANT POWER INFORMATION

It is essential that the Mains Power Lead (15) is connected to an earthed socket be it a wall socket or extension lead otherwise there is risk of damage or even electric-shock.

The socket providing the power must be accessible at all times in case you need to switch off the power quickly.

During an electrical or lightening storm - disconnect the power completely as a precaution.

Always un-plug the power when going on holiday or when the bed is not used for an extended period.

If you have young children in the home always disconnect the power at the wall socket for extra safety.

Power outlets, extension leads or adapters must not be overloaded beyond their limit - this can result in fire or electric shock.

Leads supplied with this bed, or other approved mains powered extension leads used to power the equipment must not be placed where they can be walked on - this is dangerous and could lead to accidents.

Do not interfere with or modify any cables already fitted and do not add any extra media leads unless they are routed through the ducts as shown in Stage 6. All leads must be tightly fixed to back of TV with clips (GF), never hanging loose.

Never touch moving parts or any part of the equipment - if something needs to be checked, disconnect the power first.

Do not insert anything into the footboard as this could seriously damage the TV and/or the TV lifting equipment and could, if done carelessly, cause serious damage or injury.

If the equipment doesn't operate normally or if there is any unusual noises, disconnect the power.

**IMPORTANT:** Care should be taken when connecting electrical items. If you are in any doubt about the connections please consult an approved electrician. If you still have a problem please contact your retailer for advice.

## TELEVISION INSTALLATION

Please follow the television installation instructions below.

Raise the TV Lift by pressing the Top button of the remote control.

Connect the Aerial & HDMI cable (16&17) by passing down the appropriate duct - see Stage 6.

Connect the TV to the mounting bracket as in Stage 7 or 8, as appropriate.

If necessary mounting bracket can easily be adjusted up or down to align with upper fixing holes on rear of TV.

Connect the TV Power Lead (supplied with TV) by passing plug down one of the ducts, plugging it into the adapter then into the TV power socket which is on the face of footboard - see Stage 10. This socket is only to be used for the TV as the supply is not constant.

If required, connect your own media cables through either of the ducts - connect your media equipment when ready.

Please use the cable clips (21) & cable ties (22) to make certain there are no loose wires to snag.

The TV can now be operated following the TV Operation Guide supplied with your TV.

When finished viewing, lower the TV back into the footboard by pressing Down button of the remote control.

The TV will retract into the footboard automatically - power shall be turned off when TV reaches the bottom.

When the Up button is pressed - the TV Lifting Column rises and power to the TV turns back on automatically.

## TROUBLE SHOOTING

If your equipment does not operate please check all the power connections from wall to the socket in the footboard.

Make sure TV is switched on. (Note: TV will only work when it is in the up position).

If you cannot resolve an issue or still have a problem or need help, please contact your Retailer for advice.

Occasionally, due to atmospheric conditions or when re-placing the remote control, one needs to re-pair the system.

- 1) Turn off all power
- 2) Press up or down button on TV Bed remote control keeping it pressed down.
- 3) Turn power back on.

The remote control can now be used to raise or lower the TV Lift.

Please dispose of all packaging safely.

## General Care & Maintenance

Wipe clean with a slightly damp cloth.  
Avoid the use of all household cleaners and abrasives.

Periodically check all screw & fixings to ensure they are secure.  
When moving your product, carefully lift into place. Never drag or push the pieces across the floor as this will cause damage to the joints and could result in failure to the product that will invalidate the warranty.

For more information on cleaning and product care visit:  
<https://www.happybeds.co.uk/help-and-advice>

## Notes

We've tried to make this product as easy to assemble as possible. In the unlikely event that you have problems putting it together or have damaged or missing pieces, please contact us by visiting:

<https://www.happybeds.co.uk/customer-service>



[www.happybeds.co.uk](http://www.happybeds.co.uk)



## Important for Ottoman and other gas lift beds

**Please follow these final steps to ensure the best experience with your new bed**

- Please ensure the pistons are fitted to the bed frame.
- Please place the mattress on top of the bed frame.
- Standing at the foot of the frame (looking at the headboard) open the base and the press quite forcefully down on the mattress - please do not attempt to do this without the mattress being in place.
- Please do not pull on the strap handles.
- Please note as the pistons are full of gas - you will need to press heavily to release the compressed gas.
- Once done the pistons should start operating as normal.





Please dispose of all packaging safely.

## General Care & Maintenance

Wipe clean with a slightly damp cloth.  
Avoid the use of all household cleaners and abrasives.

Periodically check all screw & fixings to ensure they are secure.

When moving your product, carefully lift into place. Never drag or push the product across the floor as this will cause damage to the joints. If the product is used on hard flooring, such as wood or laminated floor, you must place some protection under the legs to stop the product from moving. If this is not adhered to, it could result in failure to the product that will invalidate the warranty.

For more information on cleaning and product care visit:  
<https://www.happybeds.co.uk/help-and-advice>

## Notes

In the unlikely event that you have problems putting this product together or have damaged or missing parts, please contact us by visiting:  
<https://www.happybeds.co.uk/customer-service>