



Assembly Instructions

LYON Wooden Bed



Important before assembly:

Read these instructions carefully before assembling or using the product.

Please check the contents of the boxes before attempting to assemble this product. The instructions will have a checklist of parts and fittings.

It would be sensible to lay a rug or a carpet on the floor where you intend to assemble the product, to void scratches and damaging the product or the floor.

Assemble the product as close to its intended final location/room as possible.

Do NOT use any power tools as this may damage the frame.

Health & Safety:

This product or some parts of this product will be heavy. Please use an assistant when lifting.

DO NOT jump on the product or any of its parts.

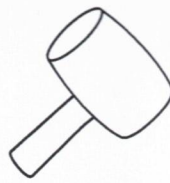
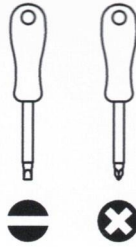
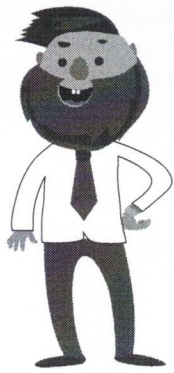
DO NOT use this product if any parts are missing, damaged or worn.

DO NOT use this product unless all fixings are secured.

Please keep small parts out of reach of children.

Always use on a level, even surface.

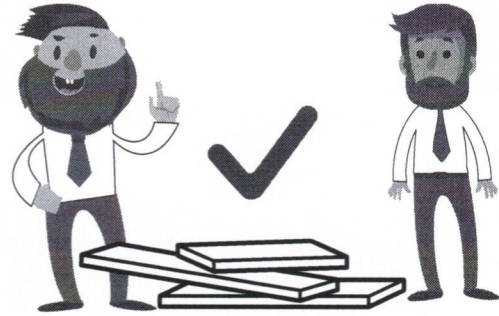
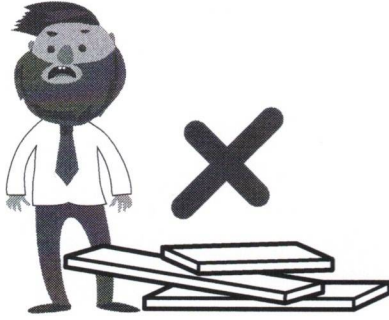
Please keep these instructions for future reference.



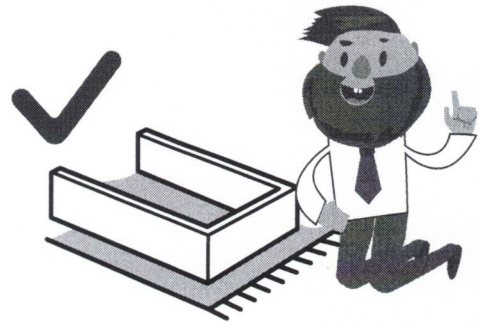
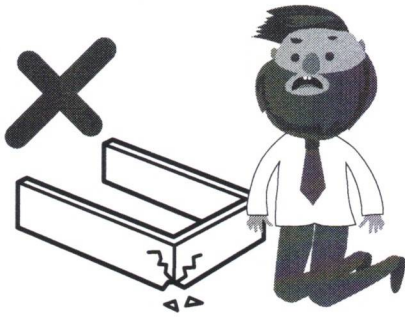
(Not metal)

These tools are not necessary, but may help to assemble certain parts of the product.

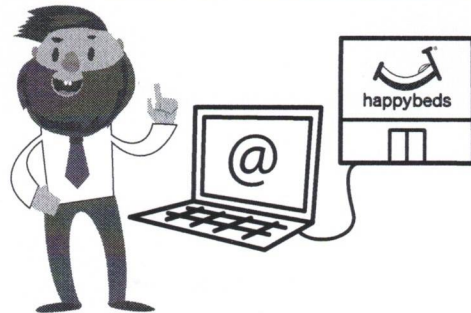
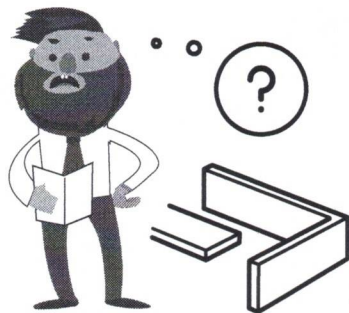
Do NOT use any power tools as this may damage the frame.



This product or some parts of this product will be heavy. Please use an assistant when lifting.



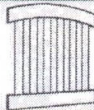


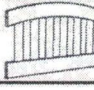




Never drag or push the pieces across a hard or stone floor as this will cause damage to the joints. Use a carpet or a rug for extra care.











If you have problems assembling or have damaged or missing pieces, please contact us by visiting:

<https://www.happybeds.co.uk/customer-service>

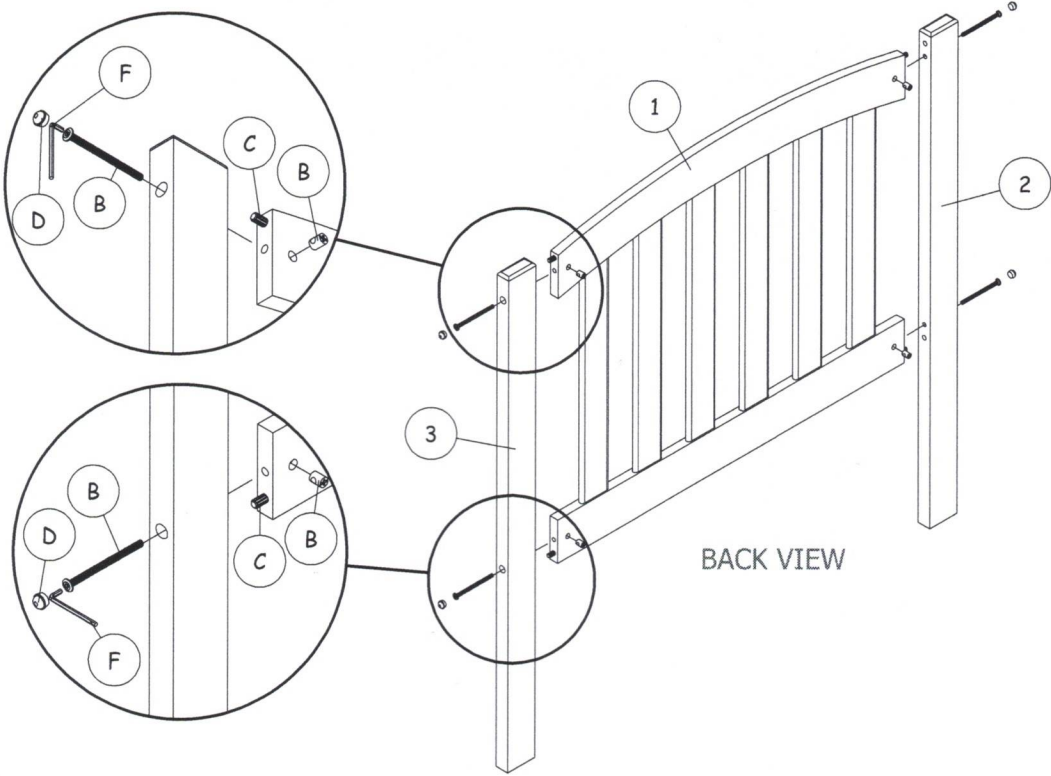
PART LIST

PART	DESCRIPTION	BOX	QTY
1	Headboard Frame 	1/2	1
2	Headboard Left Wooden Post 	2/2	1
3	Headboard Right Wooden Post 	2/2	1
4	Footboard Frame 	1/2	1
5	Footboard Left Wooden Post 	2/2	1
6	Footboard Right Wooden Post 	2/2	1
7	Side Rail - Left & Right 	2/2	2
8	Wood Slat 	2/2	14

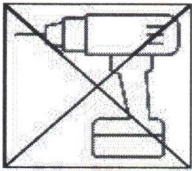
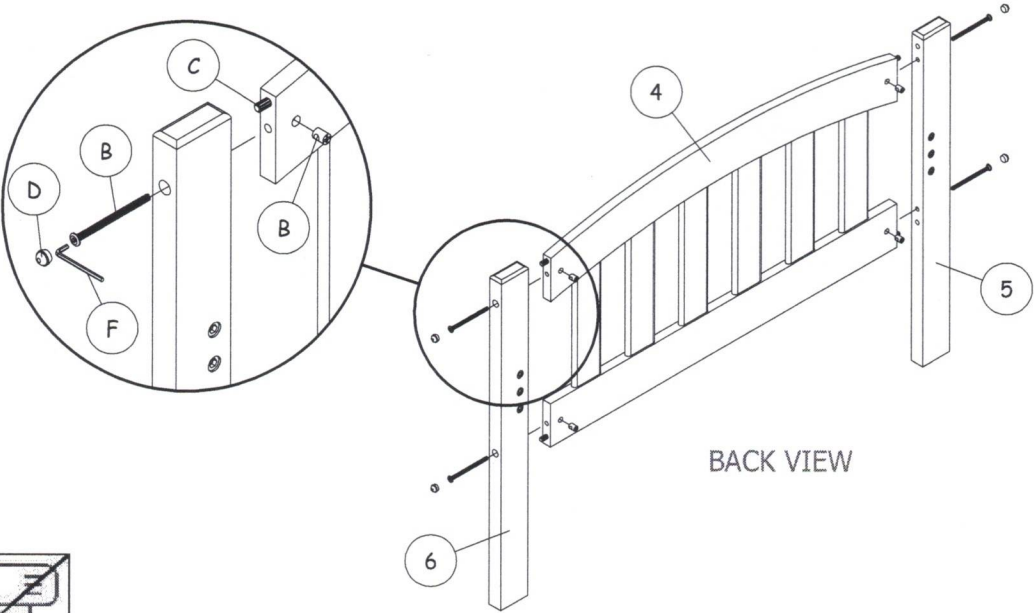
HARDWARE LIST (Found in box 2)

PART	DESCRIPTION	BOX	QTY
A	M8 x 25mm JCBC Bolt 	2/2	12
B	M6 x 90mm JCBC Bolt + Barrel Nut 	2/2	8
C	M8 x 30mm Wood Dowel 	2/2	8
D	Wood Button 	2/2	8
E	#4 x 30mm Screw 	2/2	8
F	#3.5 x 16mm Screw 	2/2	2
G	M6 Allen Key 	2/2	1
H	M8 Allen Key 	2/2	1

Step 1: Attach the Headboard Frame (1) to the Left (2) and Right (3) Wooden Post. Please secure using hardware B,C,F and D.

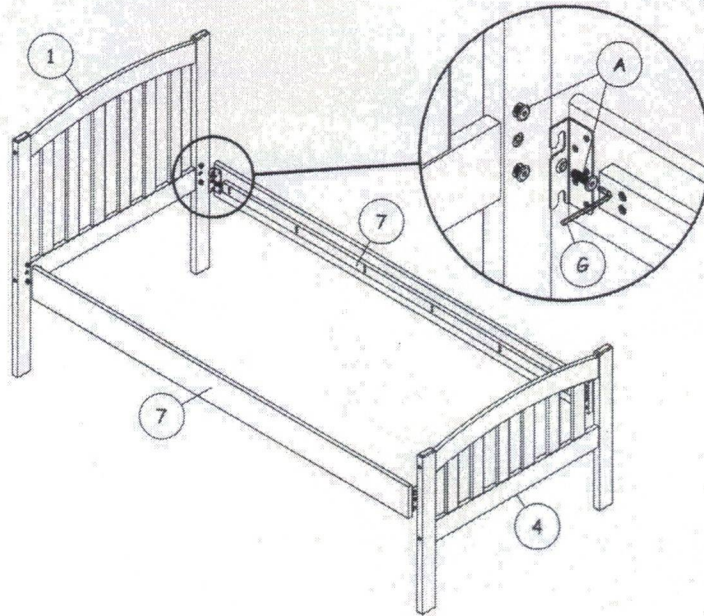


Step 2: Attach the Footboard Frame (4) to the Left (5) and Right (6) Wooden Post. Please secure using hardware B,C,F and D.

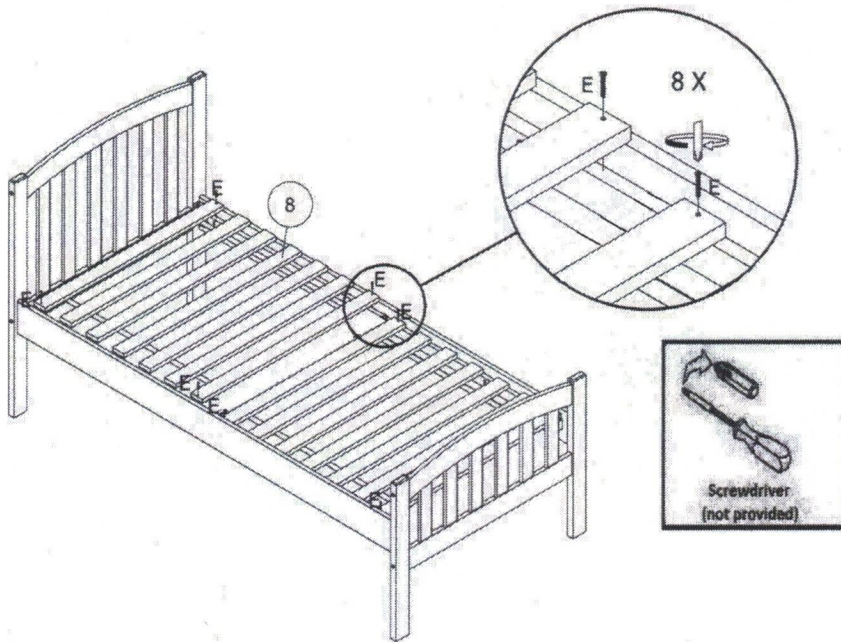


Do Not Use Power Tools

Step 3: Attach the Side Rails (7) to the Headboard (1) and Footboard (4) using Bolt (A) and Allen Key (G) as shown.



Step 4: Attach the Wood Slats (8) to the Side Rails (7) using hardware part (E) and fully tighten using a screwdriver (not provided).



Complete Ready to Use



Please dispose of all packaging safely.

General Care & Maintenance

Wipe clean with a slightly damp cloth.
Avoid the use of all household cleaners and abrasives.

Periodically check all screw & fixings to ensure they are secure.
When moving your product, carefully lift into place. Never drag or push the pieces across the floor as this will cause damage to the joints and could result in failure to the product that will invalidate the warranty.

For more information on cleaning and product care visit:
<https://www.happybeds.co.uk/help-and-advice>

Notes

We've tried to make this product as easy to assemble as possible. In the unlikely event that you have problems putting it together or have damaged or missing pieces, please contact us by visiting:
<https://www.happybeds.co.uk/customer-service>



www.happybeds.co.uk

