



Assembly Instructions

Maine 3FT Wooden Bunk Bed



Important before assembly:

Read these instructions carefully before assembling or using the product.

Please check the contents of the boxes before attempting to assemble this product. The instructions will have a checklist of parts and fittings.

It would be sensible to lay a rug or a carpet on the floor where you intend to assemble the product, to avoid scratches and damaging the product or the floor.

Assemble the product as close to its intended final location/room as possible.

Do NOT use any power tools as this may damage the frame.

Health & Safety:

This product or some parts of this product will be heavy. Please use an assistant when lifting.

Please keep small parts out of reach of children.

Always use on a level, even surface.

DO NOT jump on the product or any of its parts.

DO NOT use this product if any parts are missing, damaged or worn.

DO NOT use this product unless all fixings are secured.

Please keep these instructions for future reference.



(Not metal)

These tools are not necessary, but may help to assemble certain parts of the product.

Do NOT use any power tools as this may damage the frame.



This product or some parts of this product will be heavy. Please use an assistant when lifting.



Never drag or push the pieces across a hard or stone floor as this will cause damage to the joints. Use a carpet or a rug for extra care.



If you have problems assembling or have damaged or missing pieces, please contact us by visiting:

<https://www.happybeds.co.uk/customer-service>

ASSEMBLY INSTRUCTIONS

BUNK BED 90CM

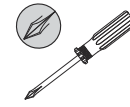
Approximate Assembly Time



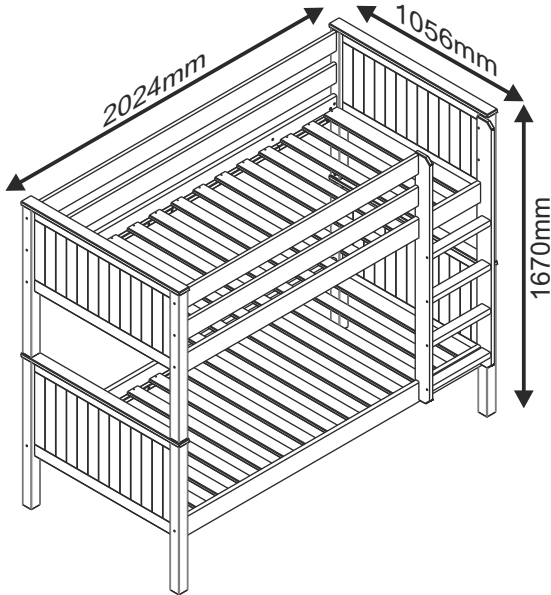
People Required to Assemble



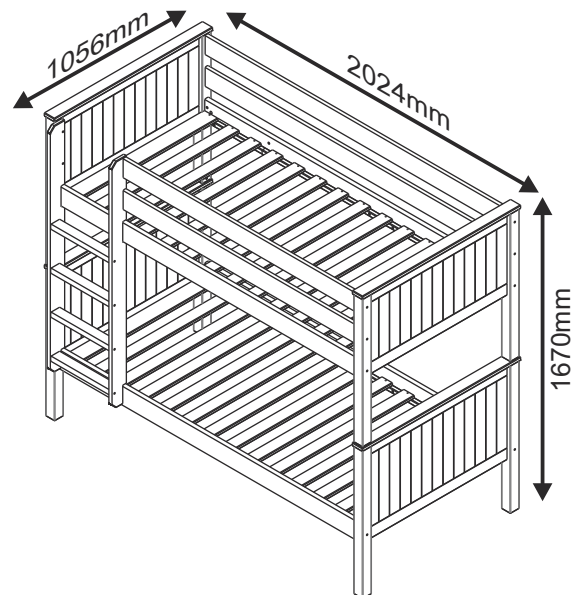
Tools Required



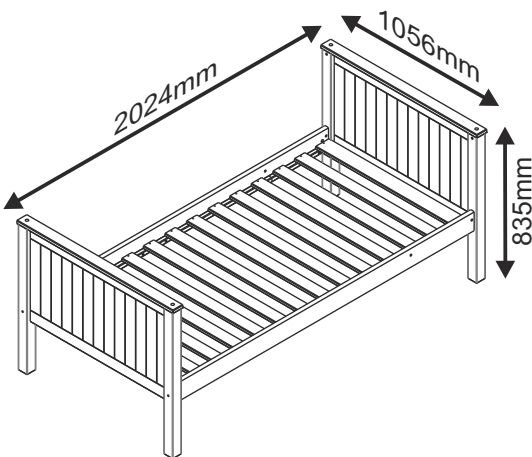
OPTION 01



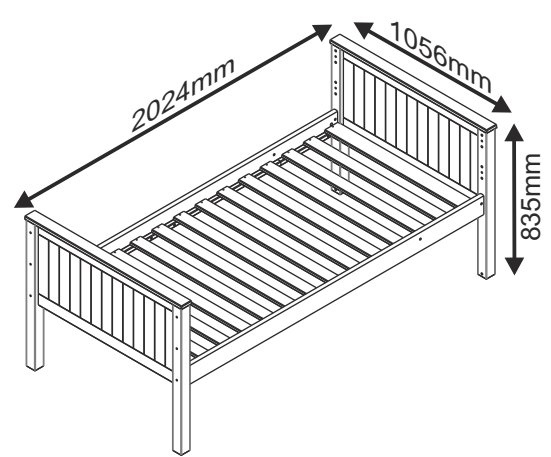
OPTION 02



OPTION 03



OPTION 04



Before you start....

Please carefully unpack and lay out all of the component parts to ensure nothing is missing and to check each component for any obvious damage.

Should you identify any concerns at this stage please contact the retailer from whom this product was purchased. Please quote your order number, details of your issue, the product code, and the batch number from the cartons which will help to resolve your issue as quickly as possible.

Please check all hardware matches the list below. Should you notice any are missing please contact your retailer.



A

1/4 x 110 Bolt x8



B

Nut 1/4 x8



C

Wooden dowel x4
15 x 100mm



D

Wooden dowel x40
10 x 40mm



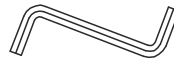
E

7 x 60 Bolt x14



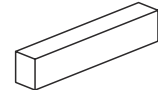
F

4 x 35 Screw x64



G

Allen key x2



H

69mm Spacer x2



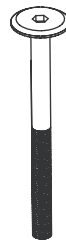
I

3/16 X 67 Bolt x2



J

Washer x2



K

7 x 100 Bolt x6



L

Caps Ø10mm x24



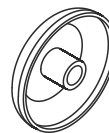
M

Caps Ø8mm x16



N

Caps Ø16mm x4



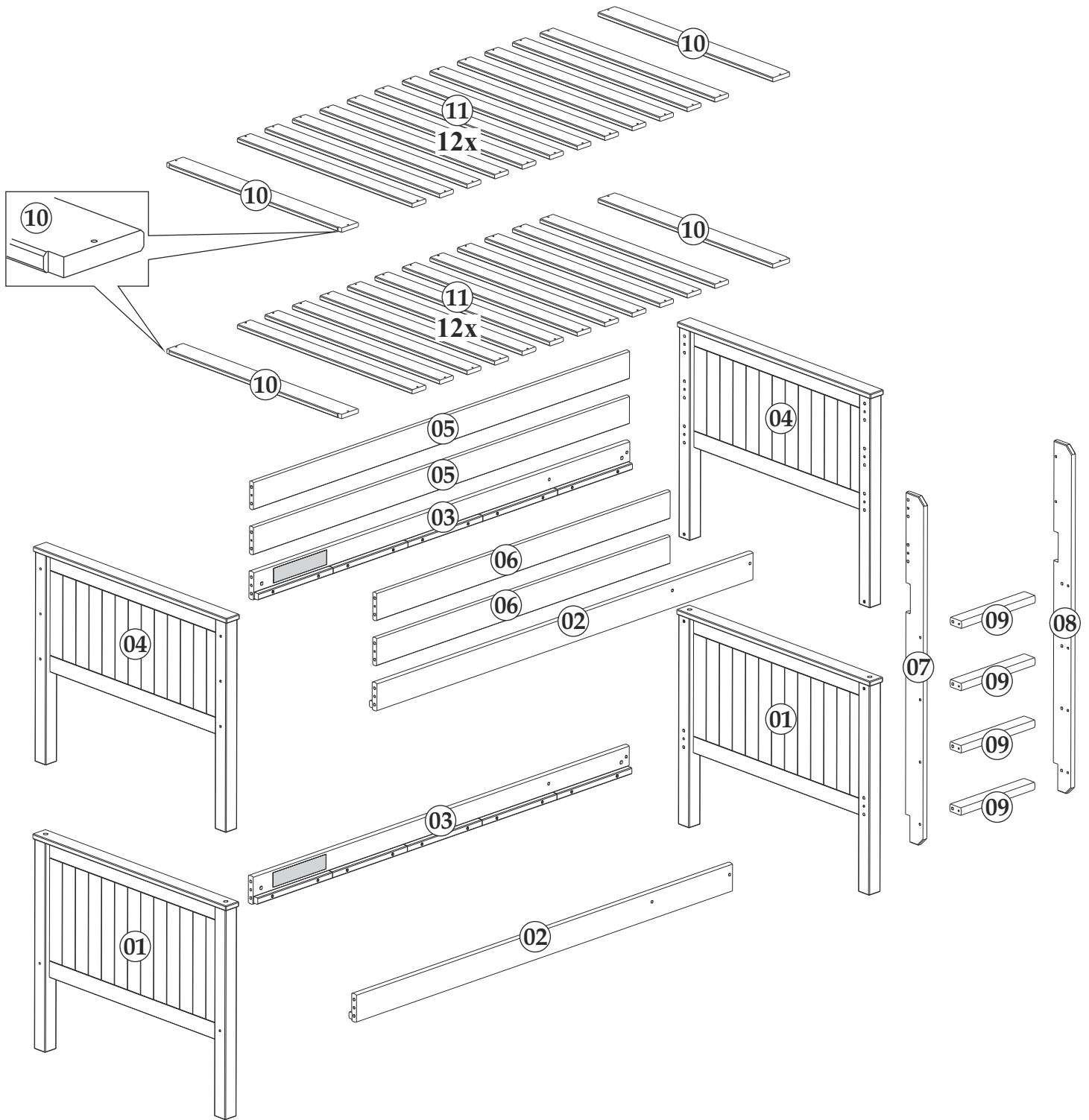
O

Caps Ø17mm x32

We strongly advise that you do not use Power Tools, such as drills or electric screwdrivers, during the assembly as this may cause irreparable damage and will invalidate your warranty.



PARTS



Please ensure you carefully check all the pieces, should you have any concerns please contact the retailer before assembly commences. Please have your order number, details of the issue, the product code, and the batch number from the cartons as this will help us to resolve your issue much faster.

ASSEMBLY ADVISE

Please take the time to carefully read through these instructions before you commence.

Keep these instructions for future reference.

We advise that the product is assembled in the room it is intended for.

We advise that you keep the hardware in a bowl during assembly to avoid losing anything.

We strongly recommend that you keep children away from the work area.

Small component parts could choke a child if swallowed.

We recommend you use a sheet or blanket to protect both floor and product through the assembly stages.

This product is heavy, and we recommend a 2 person lift to avoid personal injury or damage to the product.

Never push or pull the product as this could cause both personal injury or irreparable damage to product or floor.

We have tried to make this piece of furniture easy to assemble if the instructions are followed carefully.

In the unlikely event that you have problems with assembling the product or have missing or damaged parts, please contact your retailer and we assist them in rectifying the problem as quickly as possible.

PLEASE

Remember we strongly urge you DO NOT use power tools such as drill or electric screwdrivers as this could cause irreparable damage to your product and will invalidate your warranty



IMPORTANT INFORMATION

WARNING – High Beds and the upper bed of bunk beds are not suitable for children under six years due to the risk of injury from falls.

WARNING – Bunk beds and high beds can present a serious risk of injury from strangulation if not used correctly. Never attach or hang items to any part of the bunk bed that are not designed to be used with the bed, for example, but not limited to ropes, strings, cords, hooks, belts and bags.

WARNING – Children can become trapped between the bed and the wall, a roof pitch, the ceiling, adjoining pieces of furniture (e.g. cupboards) and the like. To avoid risk of serious injury the distance between the top safety barrier and the adjoining structure shall not exceed 75mm or shall be more than 230mm.

WARNING – Do not use the bunk bed/high bed if any structural part is broken or missing.

It is recommended that you always follow the manufacturer’s instructions to assemble this product.

Always follow the manufacturer’s recommended mattress size, as per these instructions and the bunk bed / high bed maximum mattress height marking on the item:

Recommended Mattress Size: 90cm W x 190cm (UK Single) with Maximum Depth of 24.0cm.

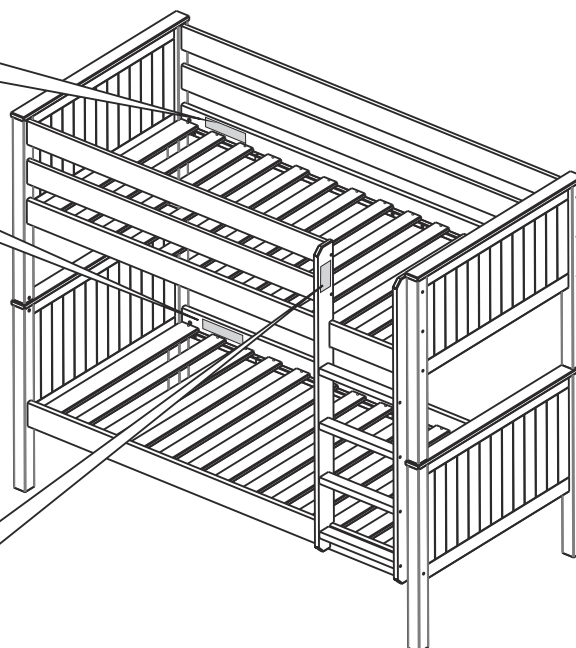
It is necessary to frequently ventilate the room in order to keep the humidity low and to prevent mould in and around the bed.

Please periodically check all the fixings of the item and re-tighten when necessary.

This item conforms to European Safety Standards – BS EN 747-1: 2012 + A1:2015.

These labels are not to be removed

<p>NEW MAINE BUNK BED Product Code: xxxxxxxxxx Distributed by: Julian Bowen Limited Bentinck House, Park Lane Business Park, Kirby-in-Ashfield, Notts, NG17 9LE Factory ID: Manufactured in Brazil Date of Manufacture: July 2021</p>	<p>CERTIFICATION LABEL This bunk bed model has been tested by an independent laboratory and is in compliance with BS EN 747-1:2012 + A1:2015 - Standard Consumer Safety Specification For Bunk Beds & High beds</p>	<p>CERTIFICATION LABEL This childrens bed has been tested by an independent laboratory and is in compliance with BS8509:2008 + A1:2011 Standard Consumer Safety Specification For Junior Beds</p>
<p>WARNING: This upper bed is not suitable for children under six years</p>		<p>WARNING: This bed is not suitable for children under 4 years</p>
<p><small>This Label Is Not To Be Removed</small></p>		



IMPORTANT! PLEASE KEEP FOR FUTURE REFERENCE

IMPORTANT INFORMATION

WARNING: This bed is not suitable for children under 4 years

WARNING: Do not place this child's bed near heat sources, windows and other furniture.

WARNING: Do not use this child's bed if any part is broken, torn or missing.

It is recommended that you always follow the manufacturer's instructions to assembly this product.

This product is intended for use by children over 4 years of age.

Children are likely to play, bounce, jump and climb on beds, therefore the child's bed should not be placed too close to other furniture or windows, blind cords, curtain pulls or other strings or cords and should be placed either tight to the wall or have a gap of 300mm between the wall and side of bed.

Please do not dismantle this bed once built.

Recommended Mattress Size: 90cm x 190cm (UK Single) with a depth of no more than 24cm.

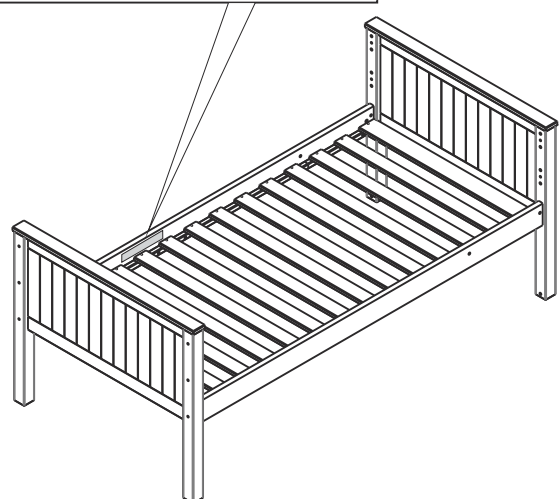
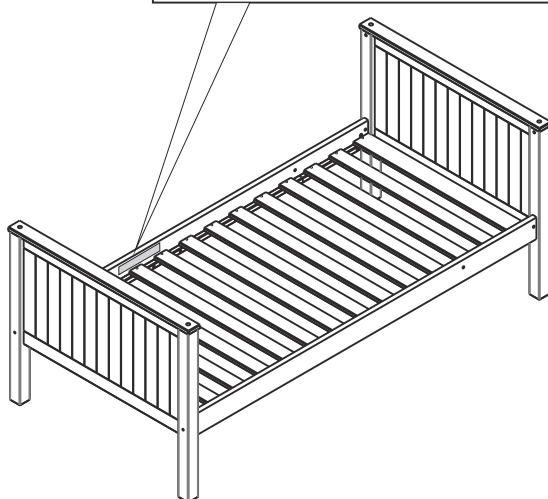
It is necessary to frequently ventilate the room in order to keep the humidity low and to prevent mould in and around the bed.

Please periodically check all the fixings of the item and re-tighten when necessary.

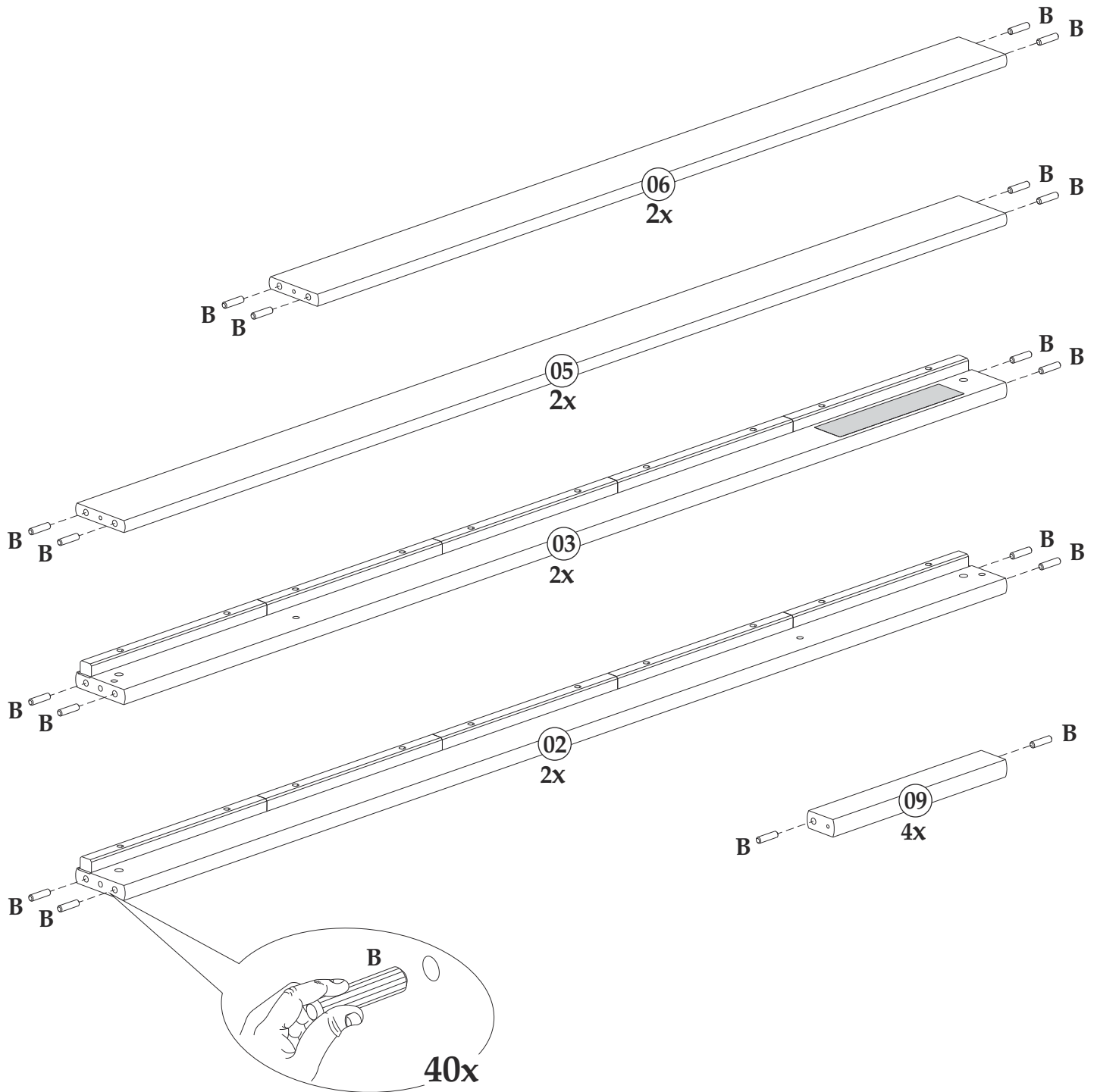
This item conforms to British Safety Standards - BS8509:2008 + A1:2011

THESE LABELS ARE NOT TO BE REMOVED

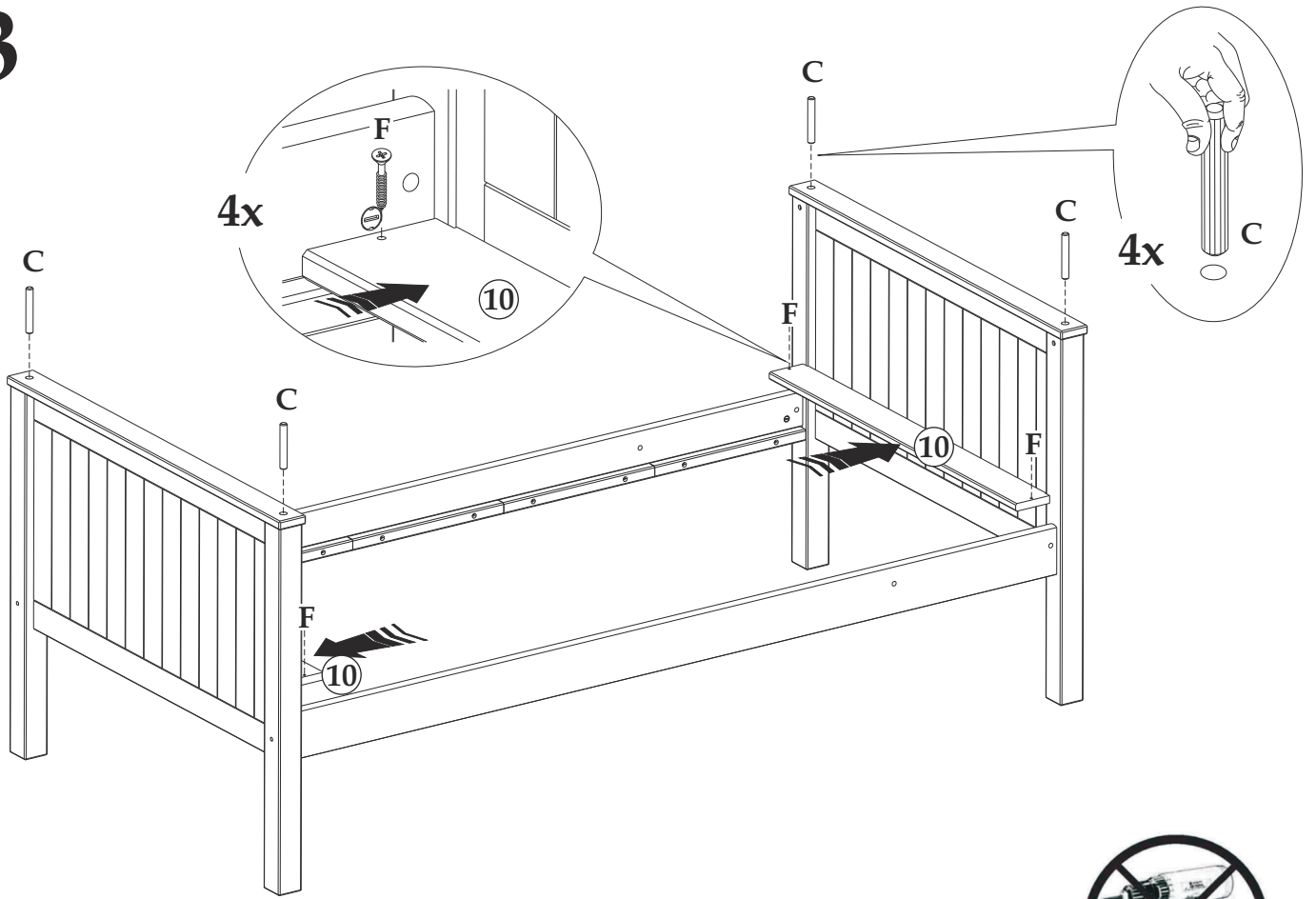
NEW MAINE BUNK BED Product Code: xxxxxxxxxxxx Distributed by: Julian Bowen Limited Bentnick House, Park Lane Business Park, Kirby-in-Ashfield, Notts, NG17 9LE Factory ID: Manufactured in Brazil Date of Manufacture: July 2021	CERTIFICATION LABEL This bunk bed model has been tested by an independent laboratory and is in compliance with BS EN 747-1:2012 + A1:2015 - Standard Consumer Safety Specification For Bunk Beds & High beds	CERTIFICATION LABEL This childrens bed has been tested by an independent laboratory and is in compliance with BS8509:2008 + A1:2011 Standard Consumer Safety Specification For Junior Beds
WARNING: This upper bed is not suitable for children under six years		WARNING: This bed is not suitable for children under 4 years
This Label Is Not To Be Removed		



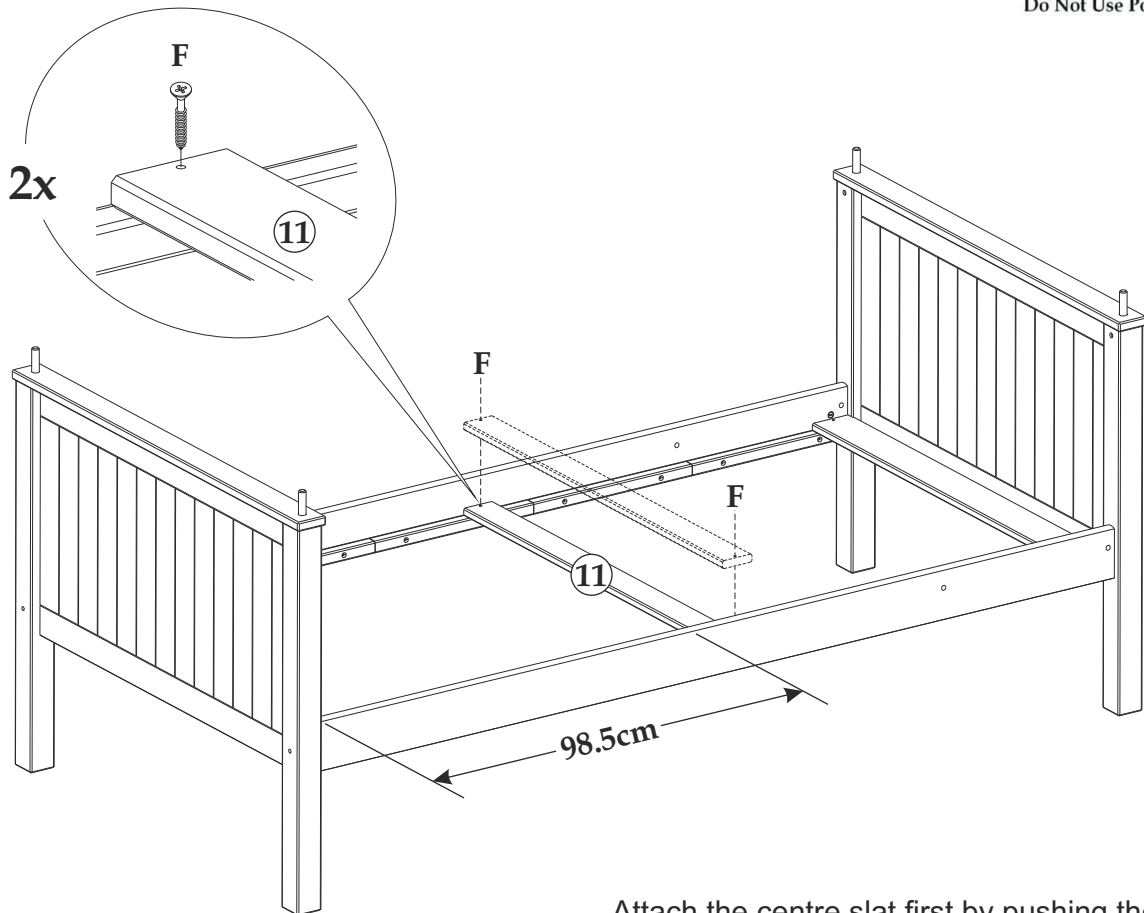
1



3

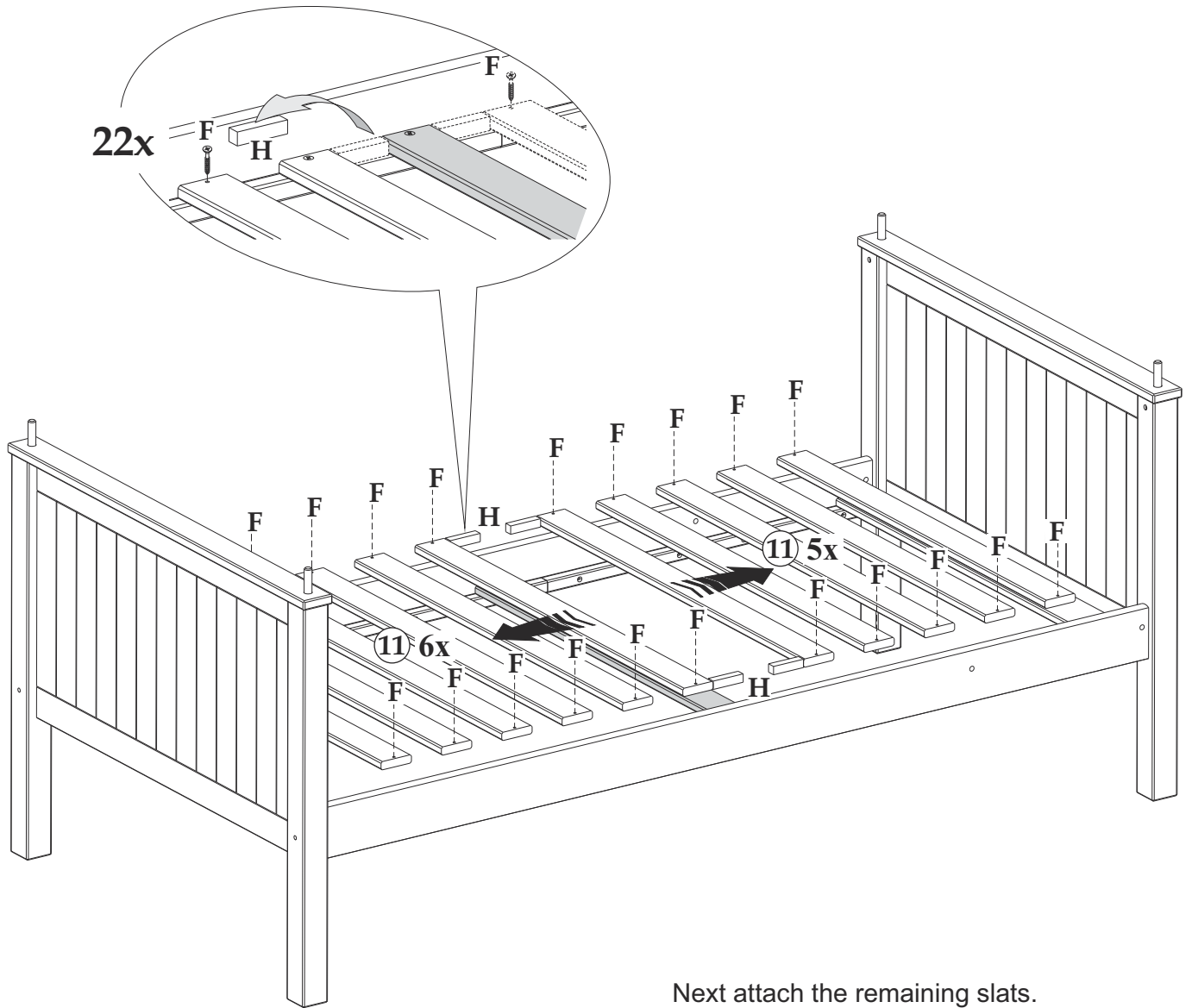


4



Attach the centre slat first by pushing the side rails together so that the slat is flush against the side rail, before inserting the screws.

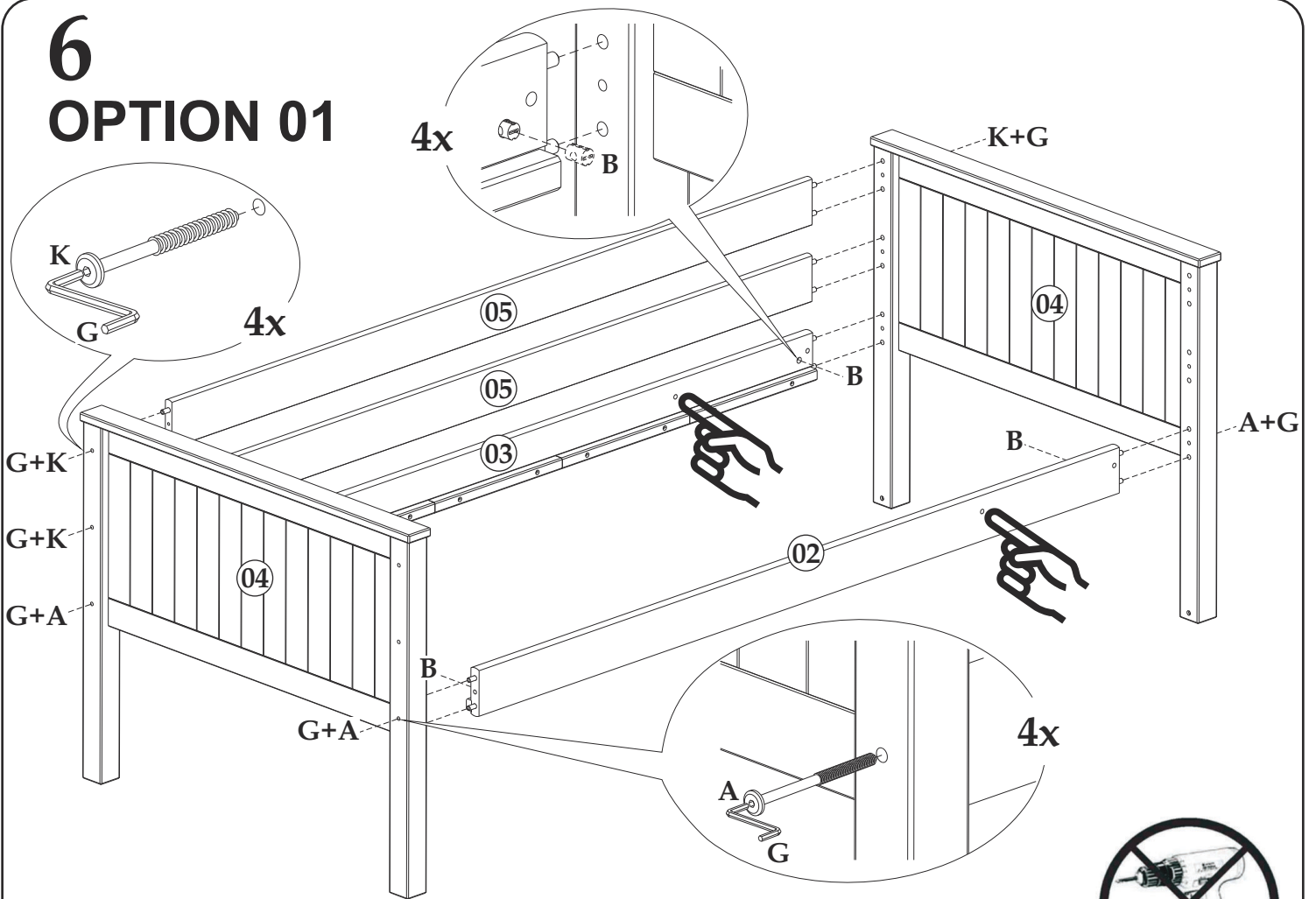
5



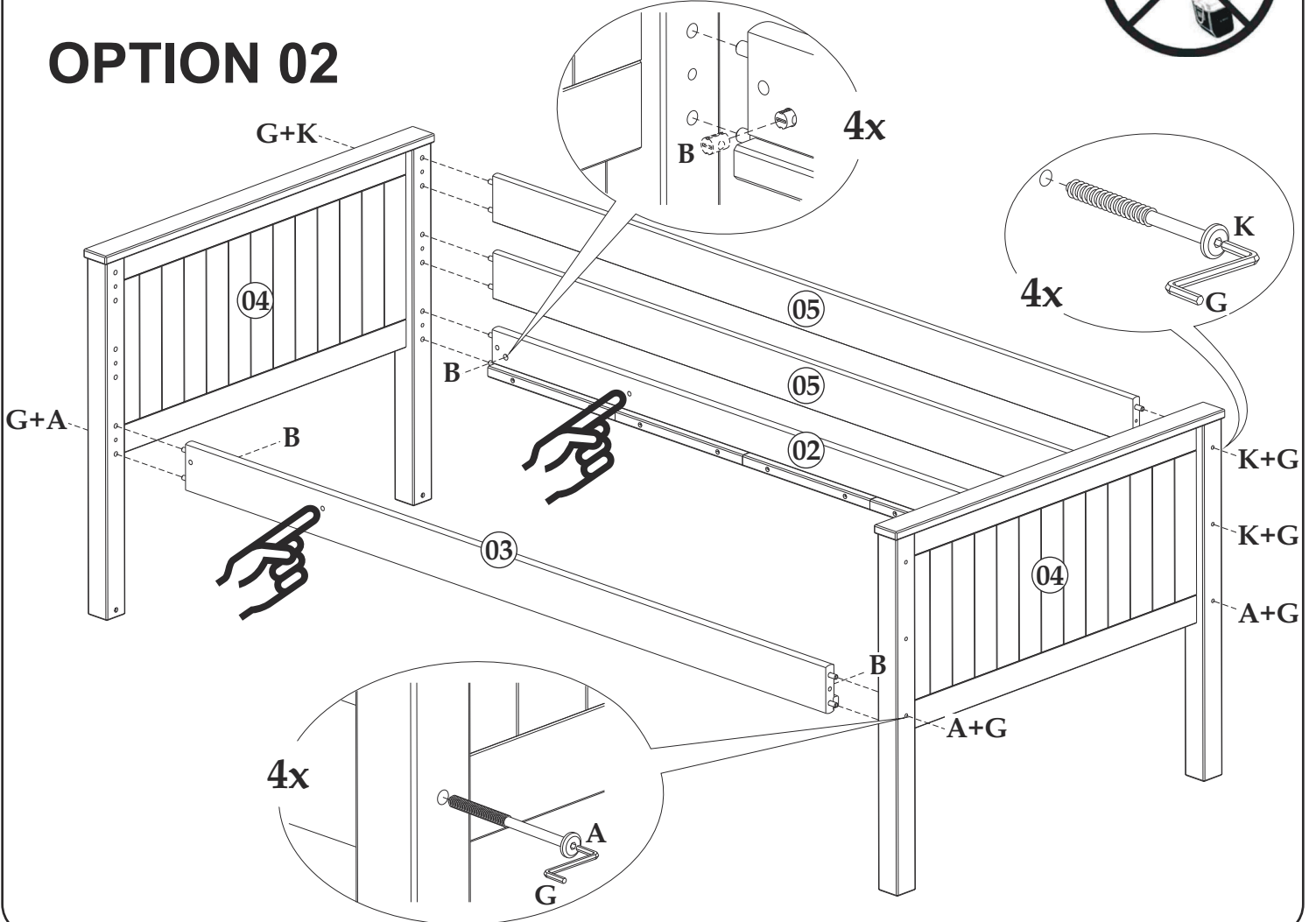
Next attach the remaining slats.
Place the slats onto the side rail supports and
distribute evenly by using the spacer provided.

6

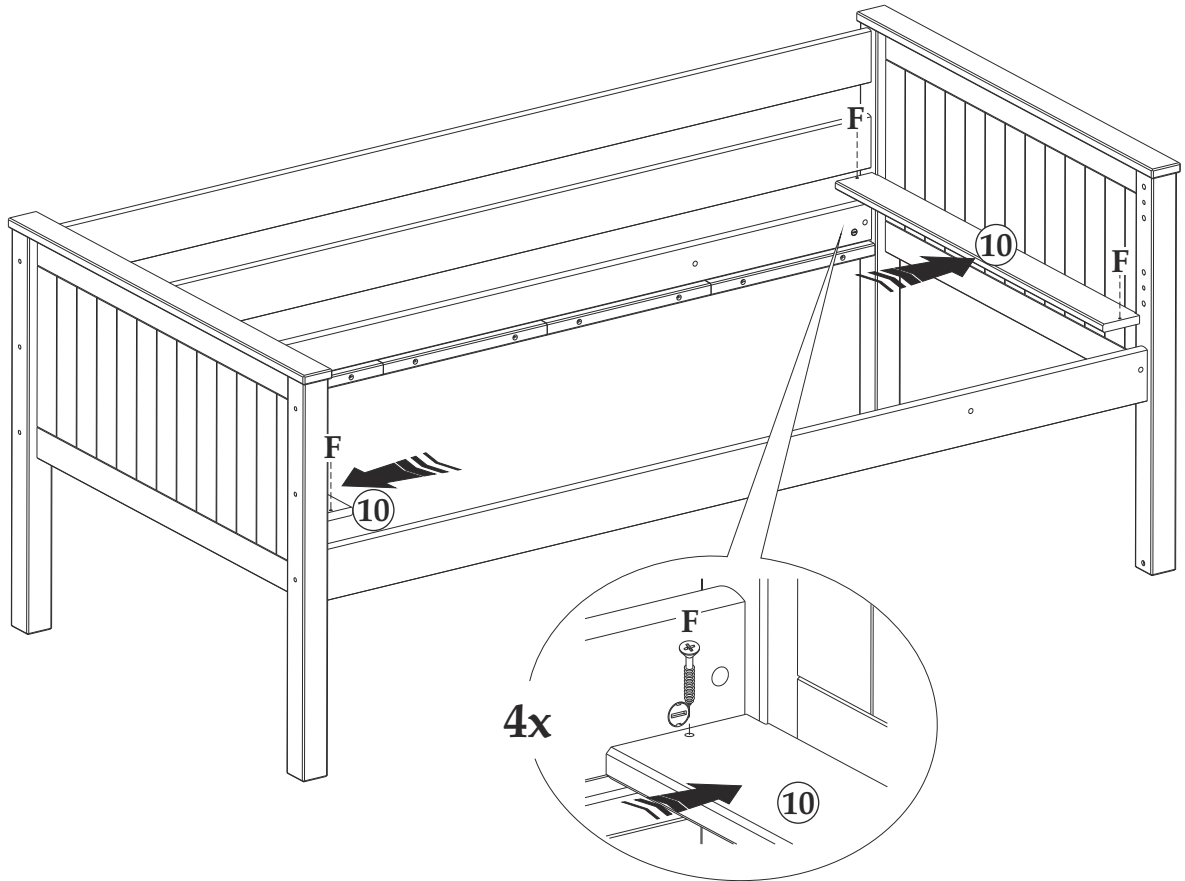
OPTION 01



OPTION 02

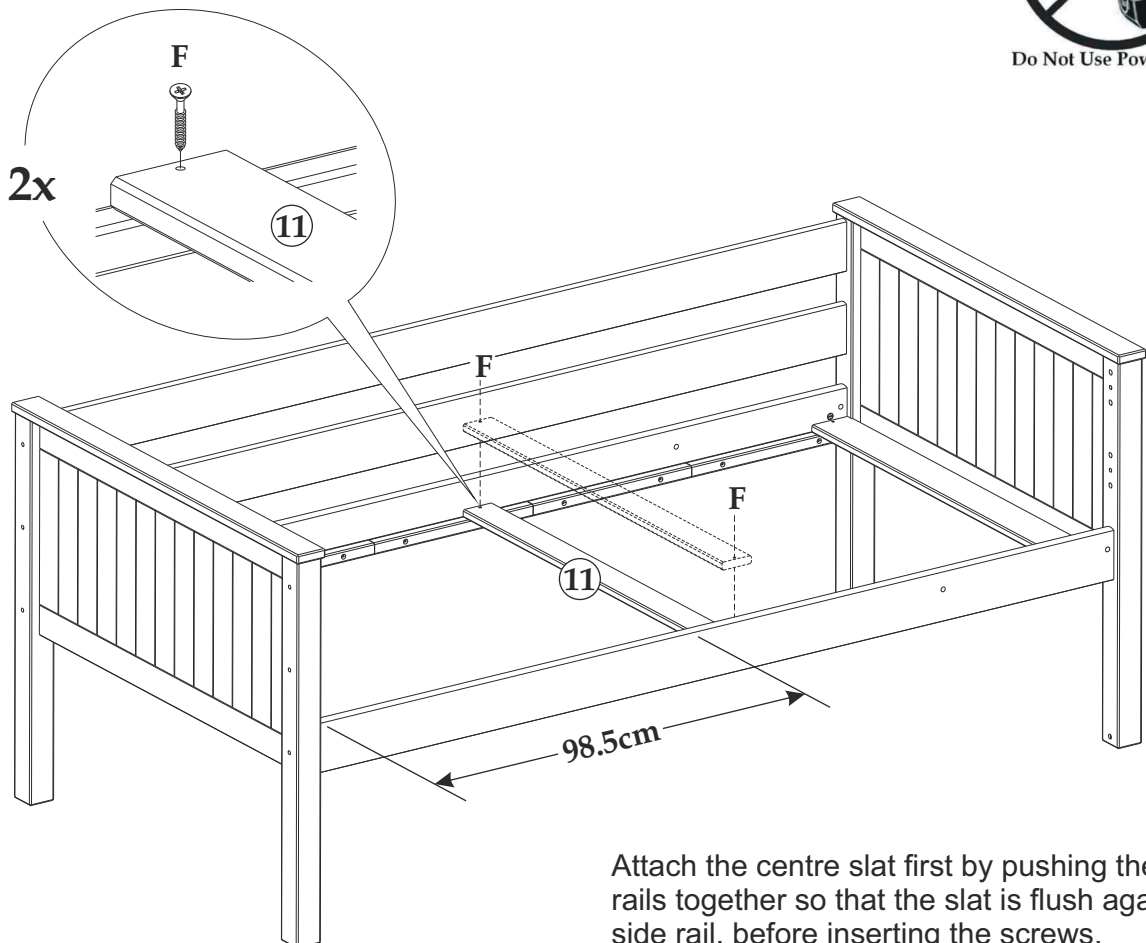


7



Do Not Use Power Tools

8

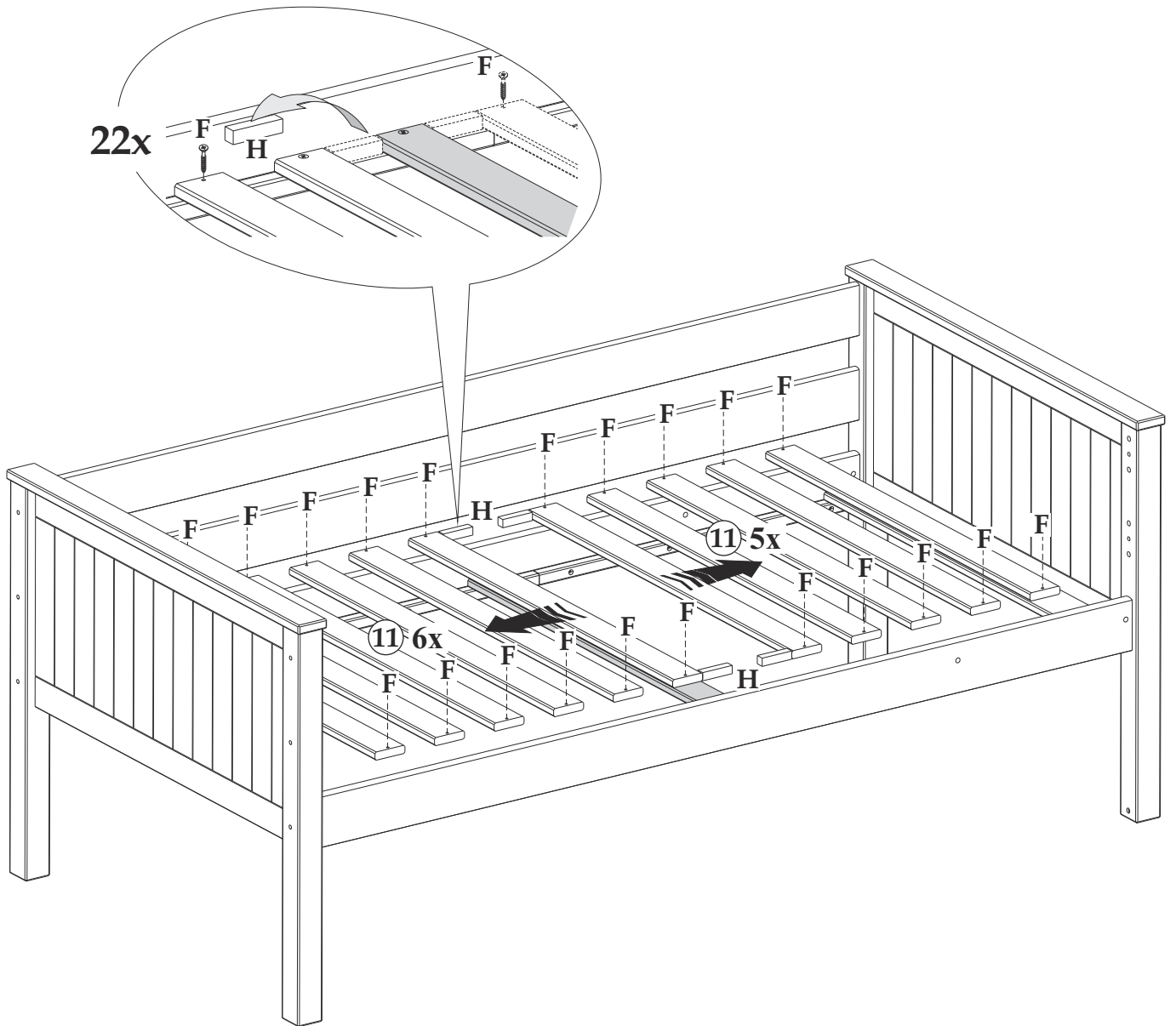


Attach the centre slat first by pushing the side rails together so that the slat is flush against the side rail, before inserting the screws.

9

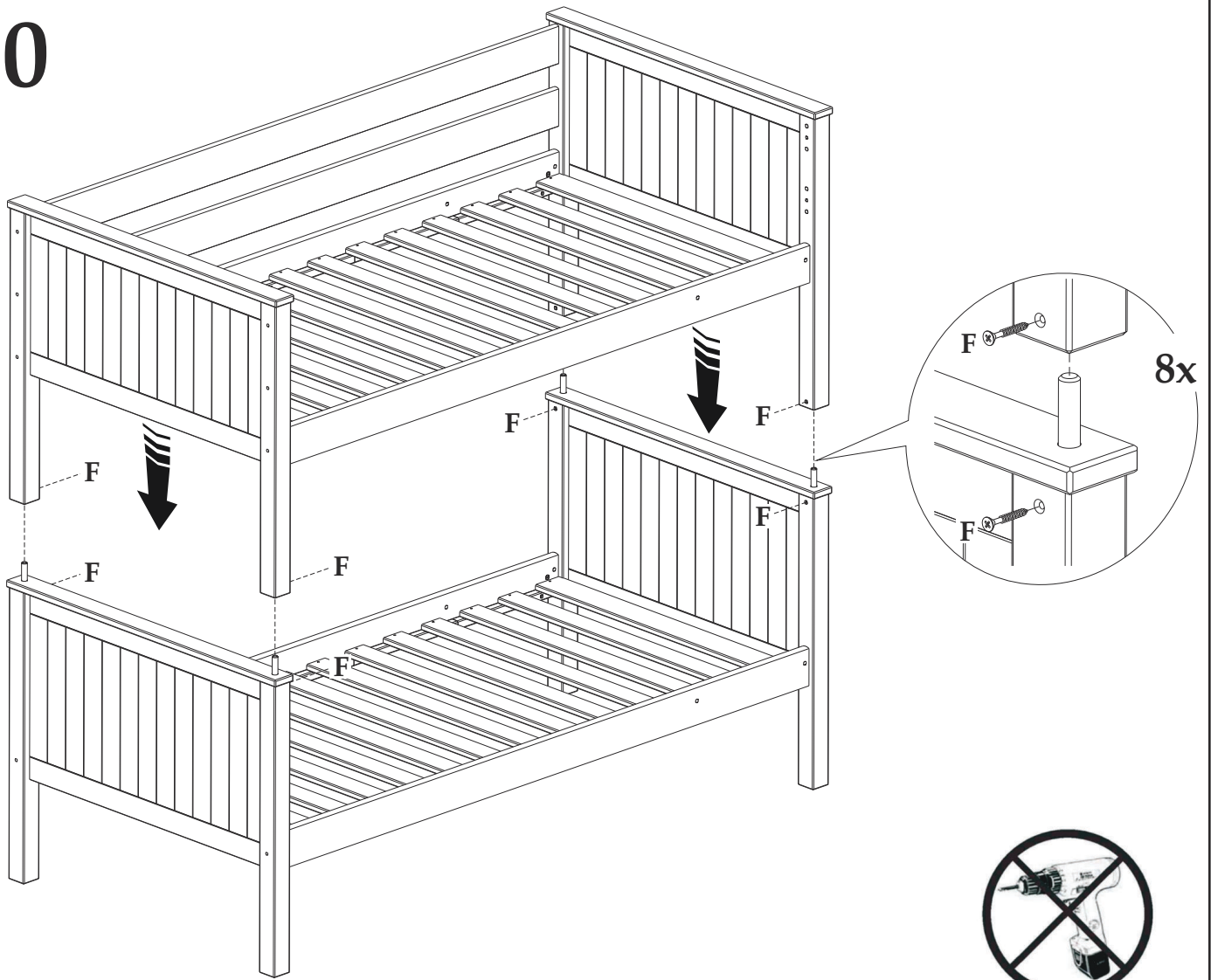


Do Not Use Power Tools



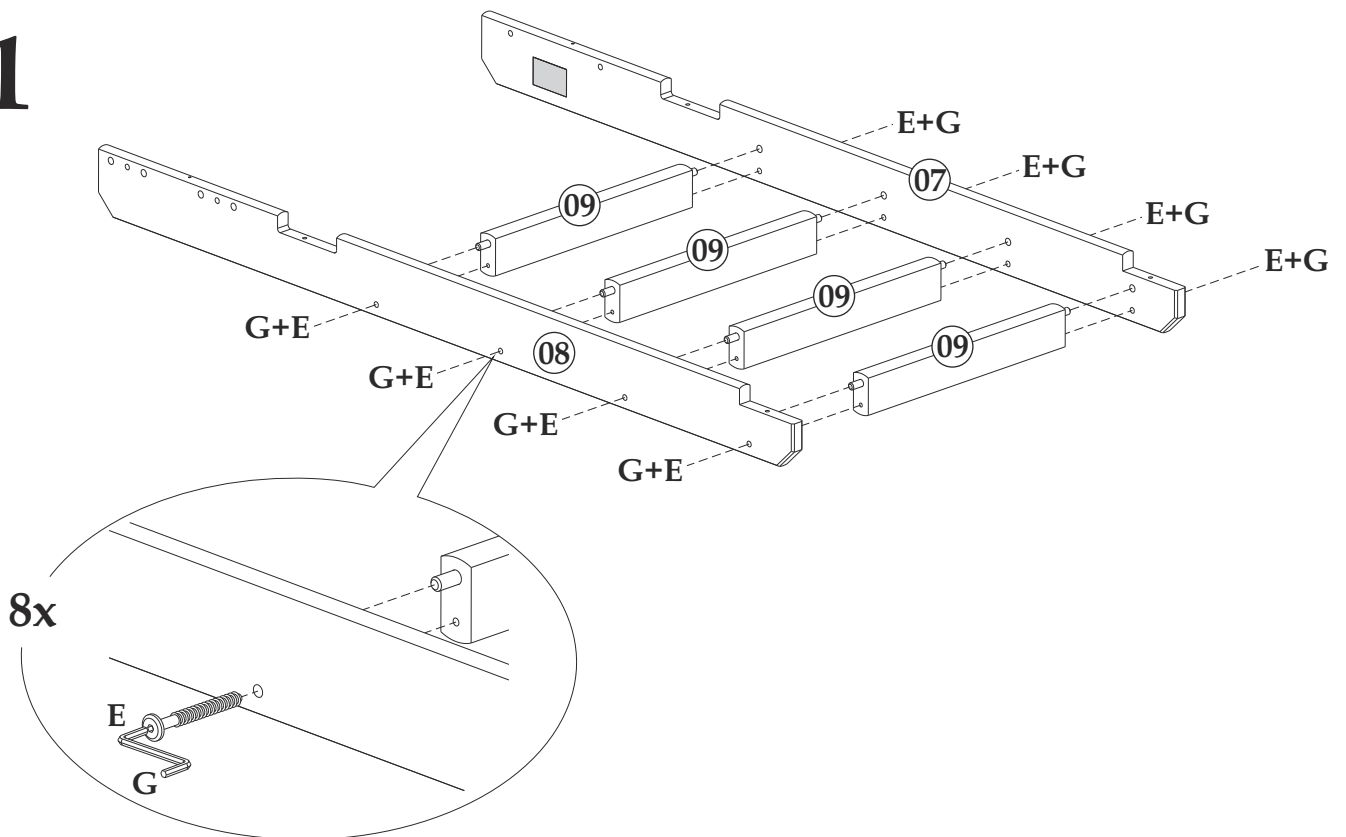
Next attach the remaining slats.
Place the slats onto the side rail supports and
distribute evenly by using the spacer provided.

10

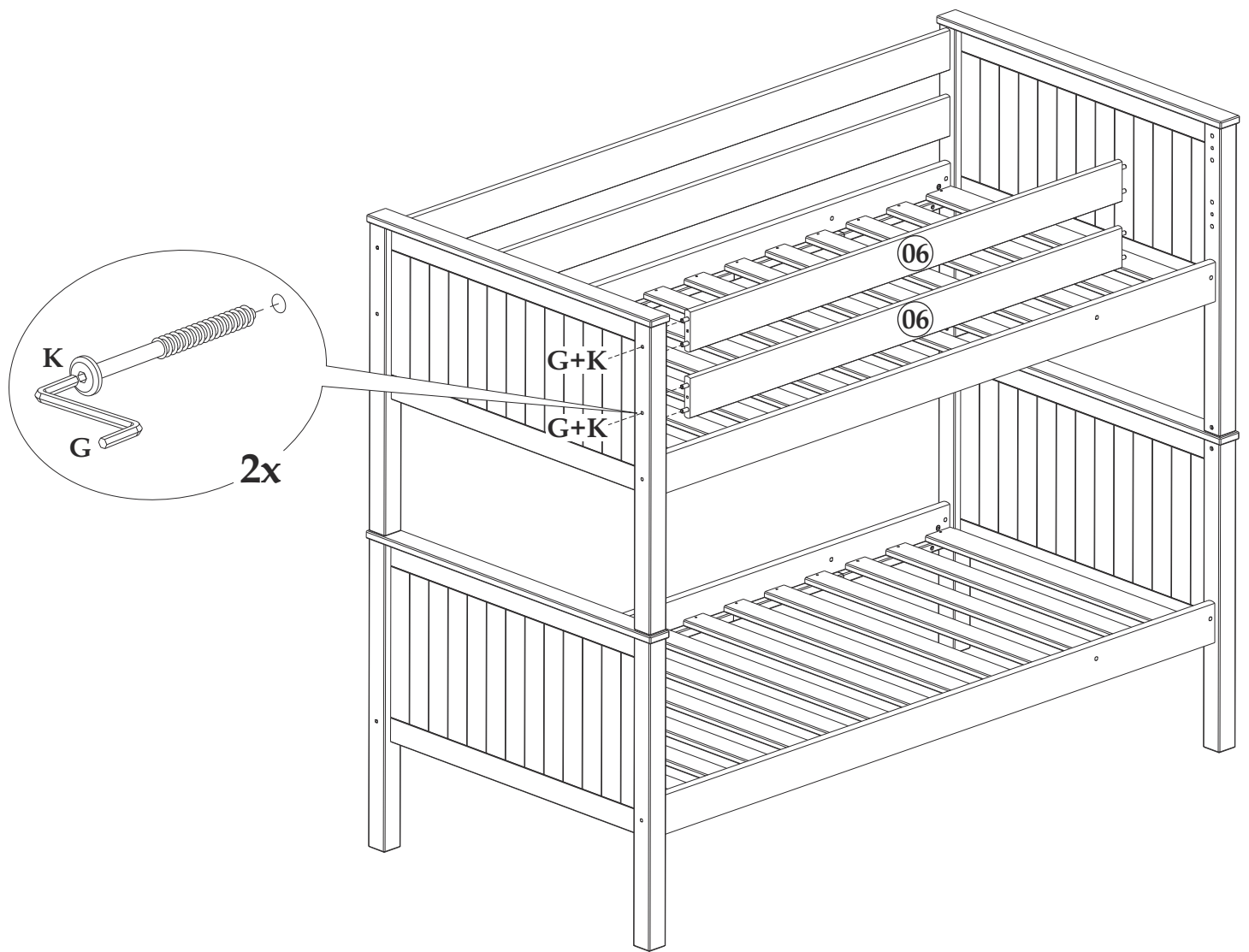


Do Not Use Power Tools

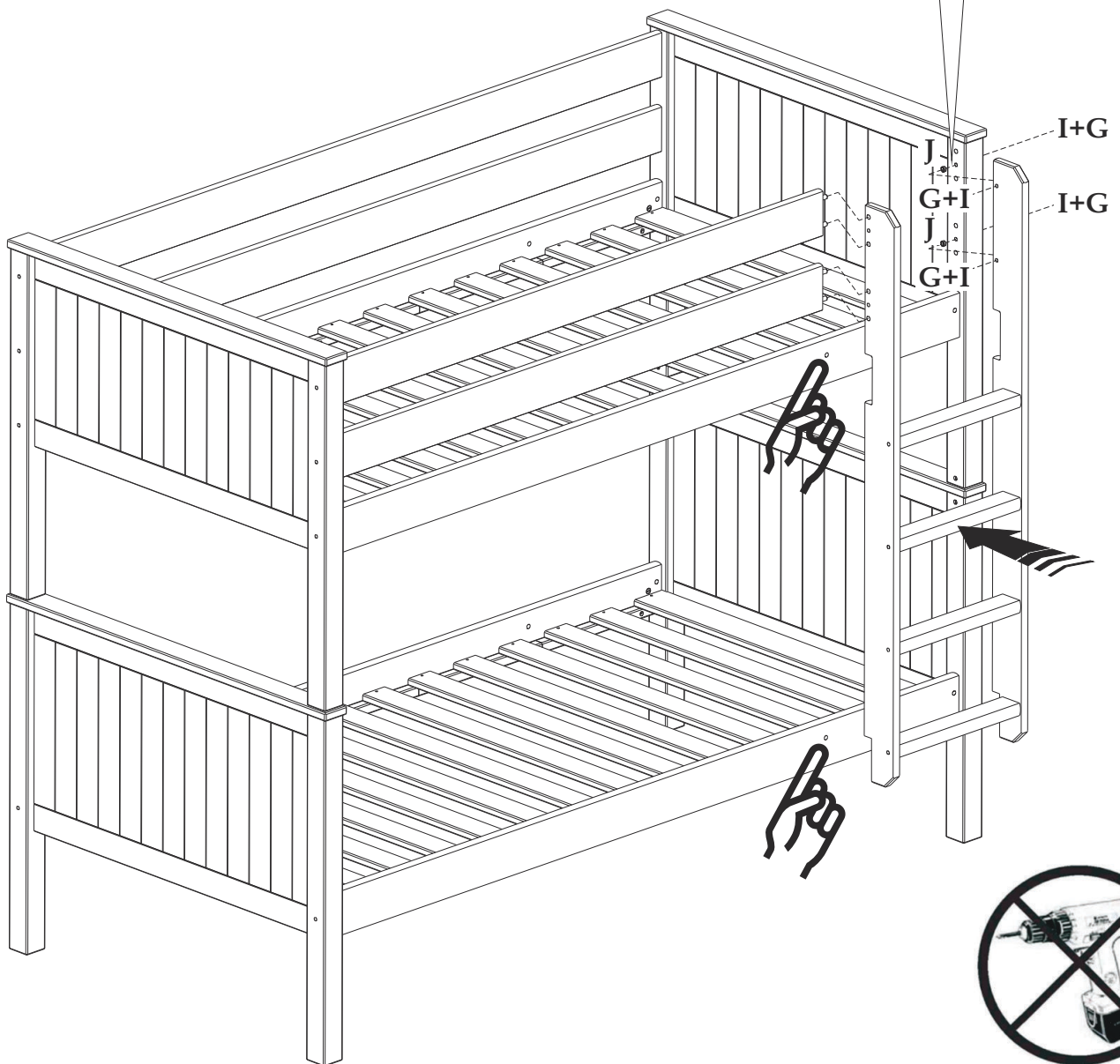
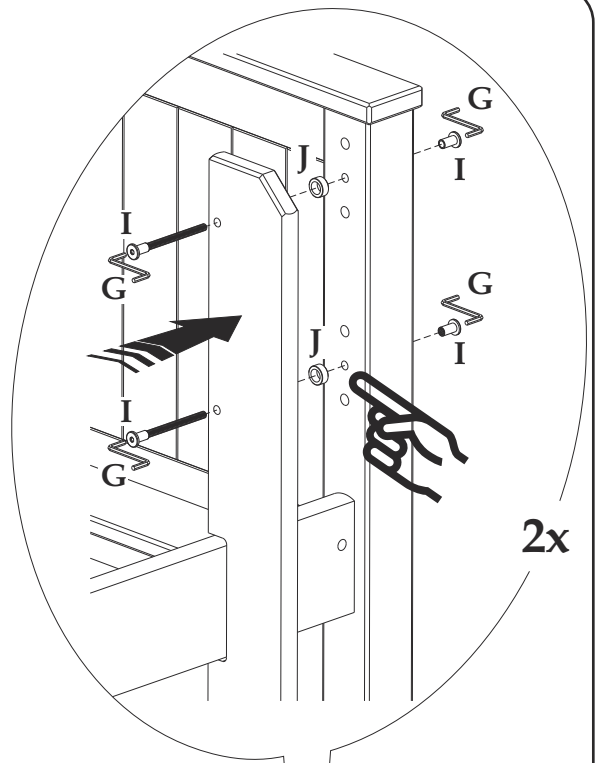
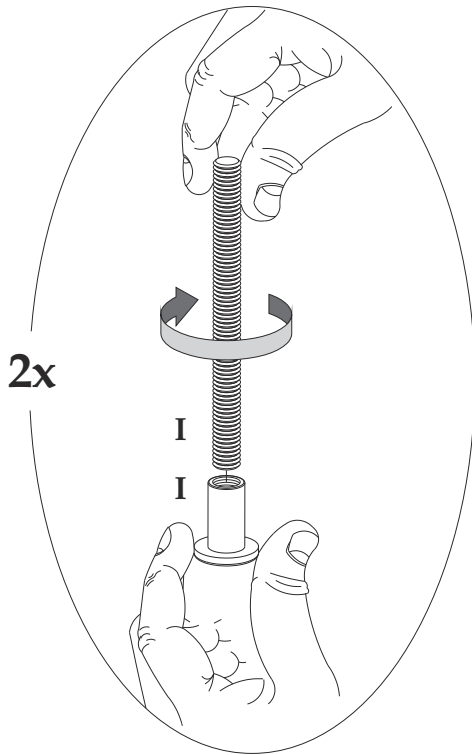
11



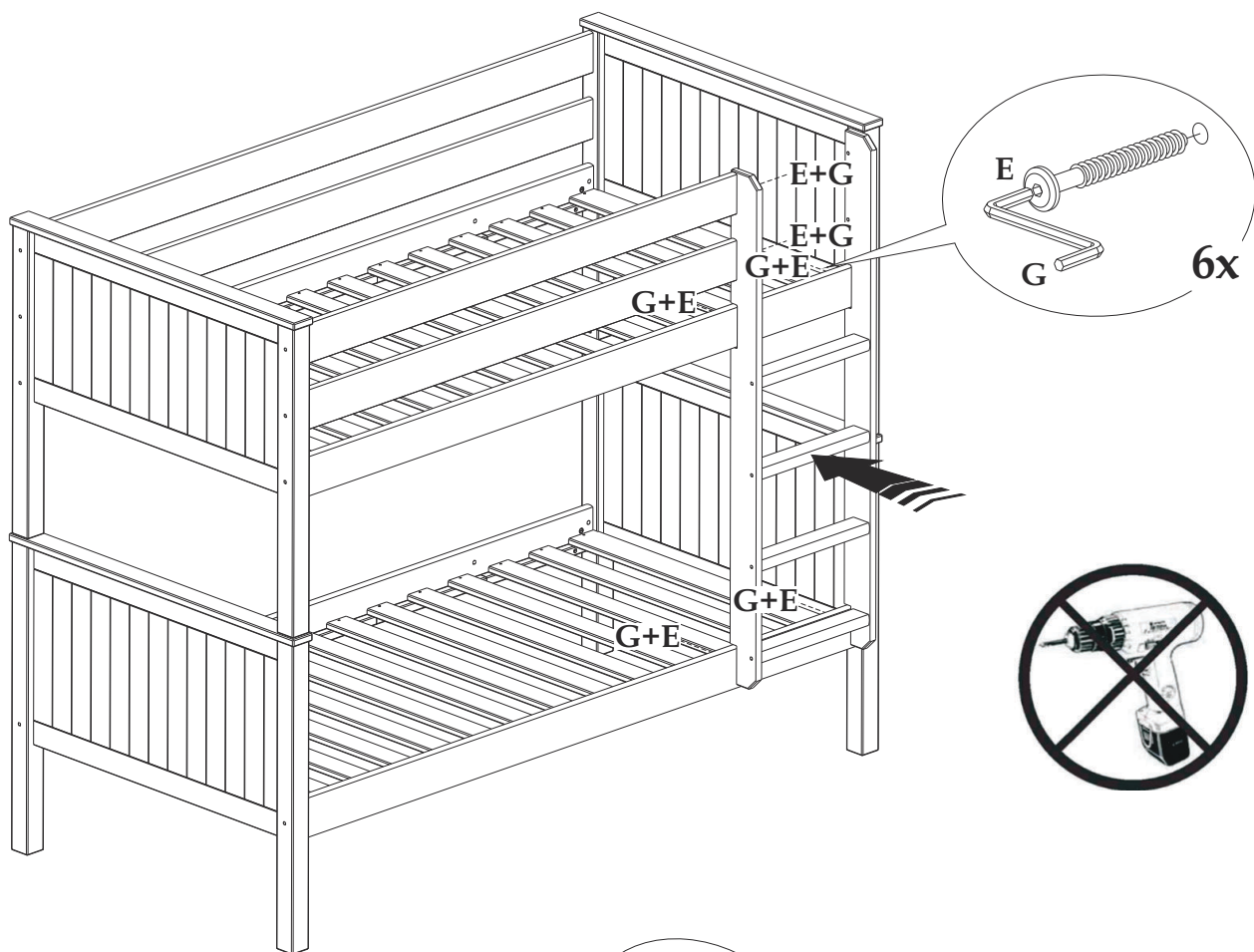
12 OPTION 01



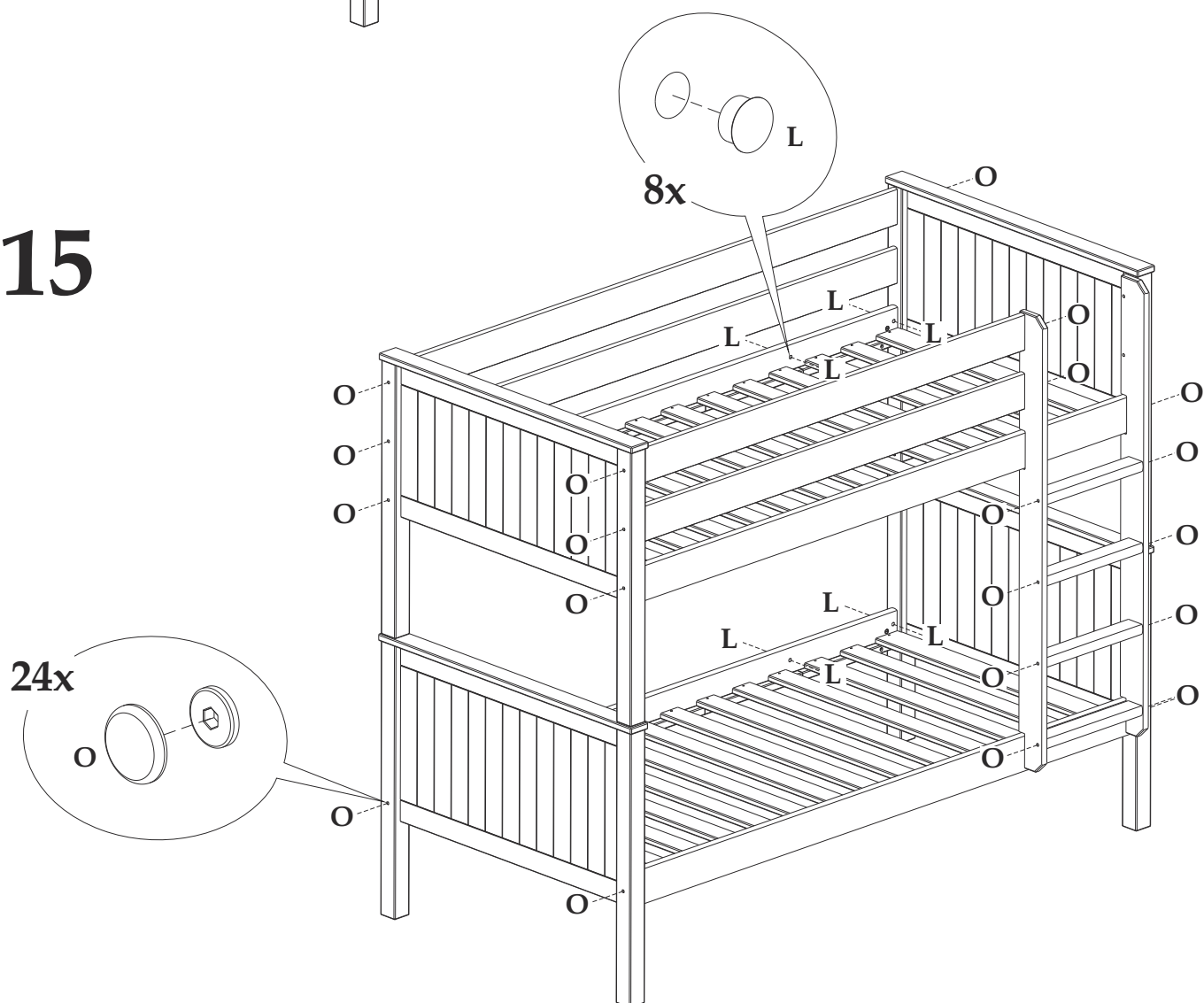
13



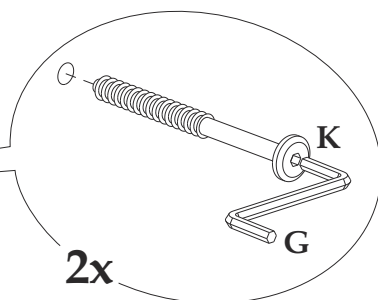
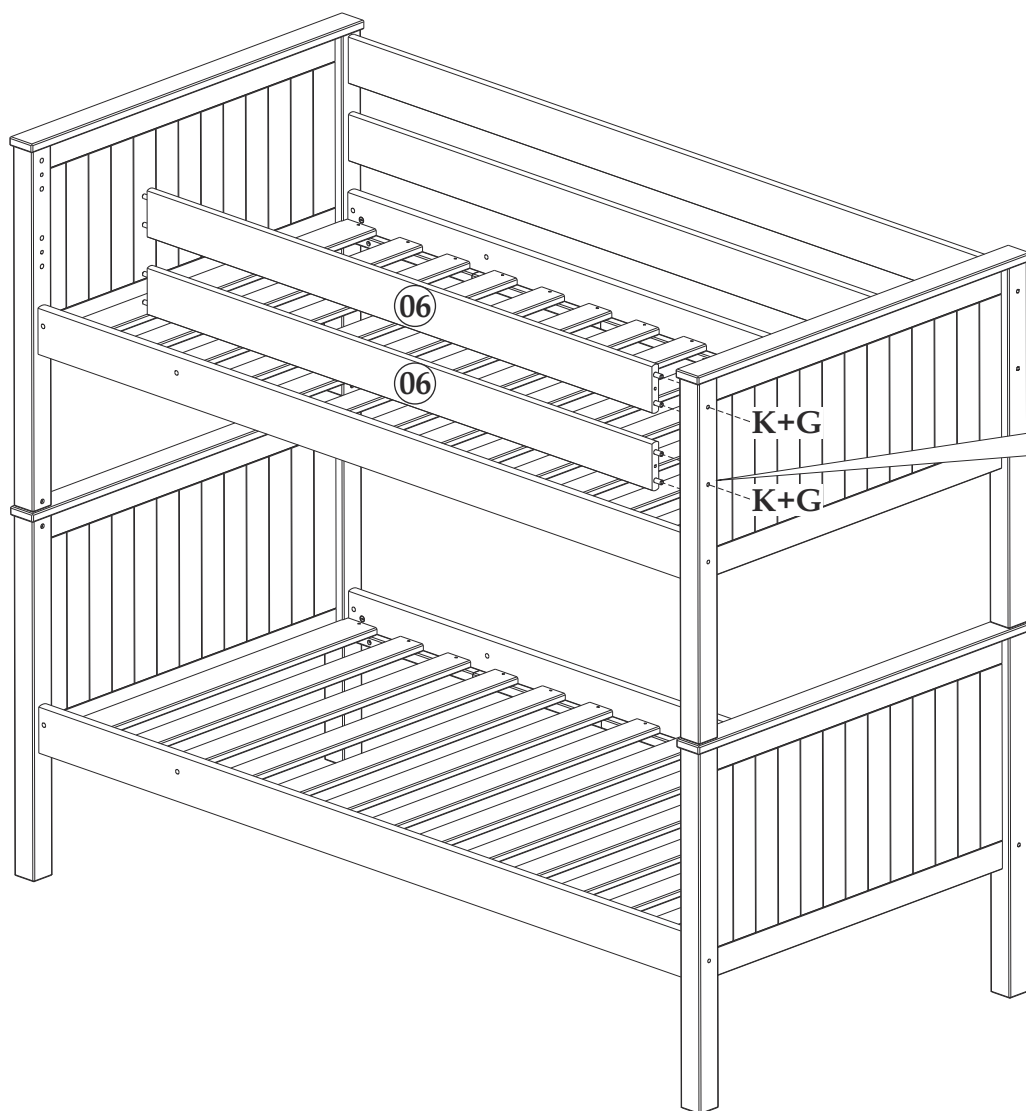
14



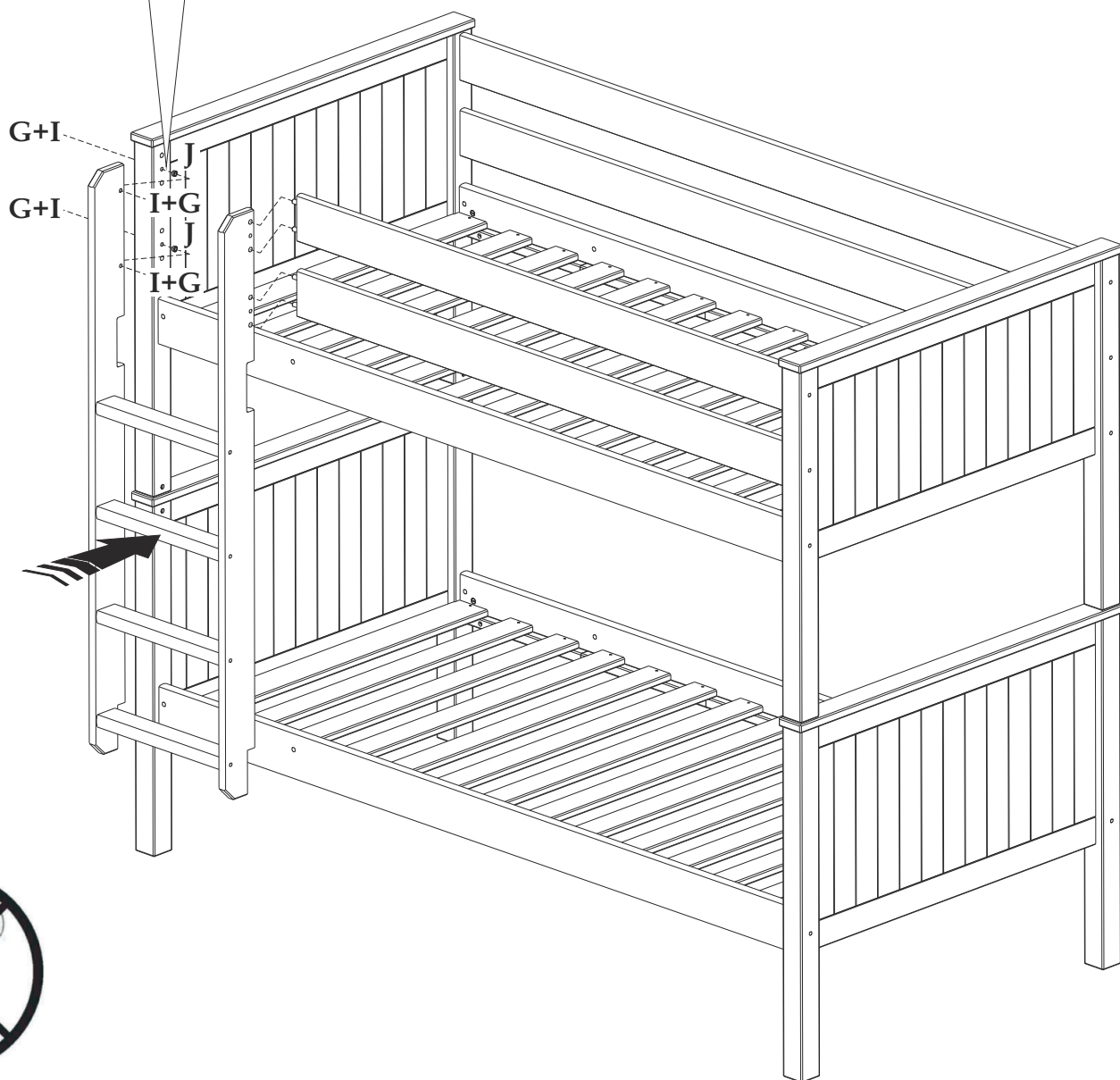
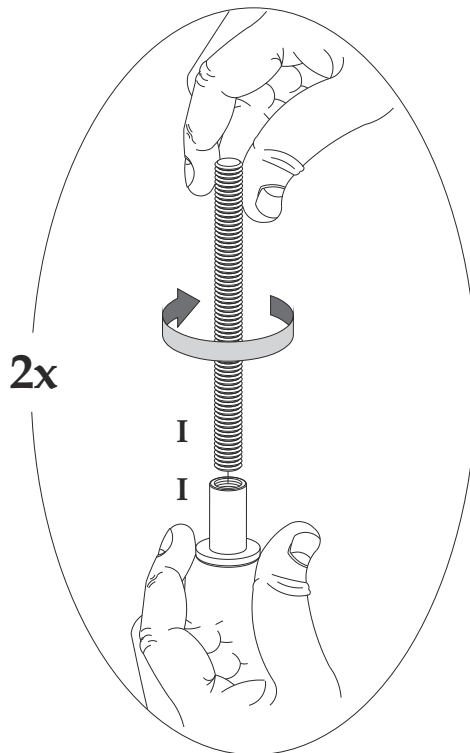
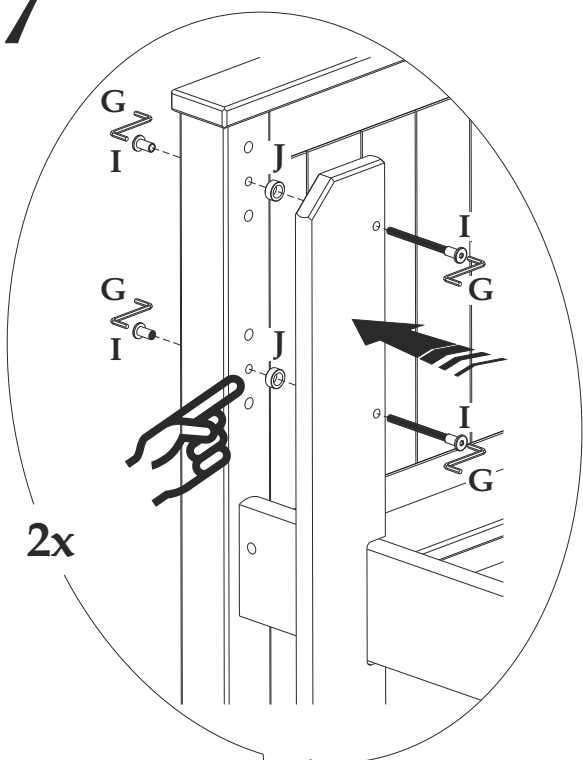
15



16 OPTION 02

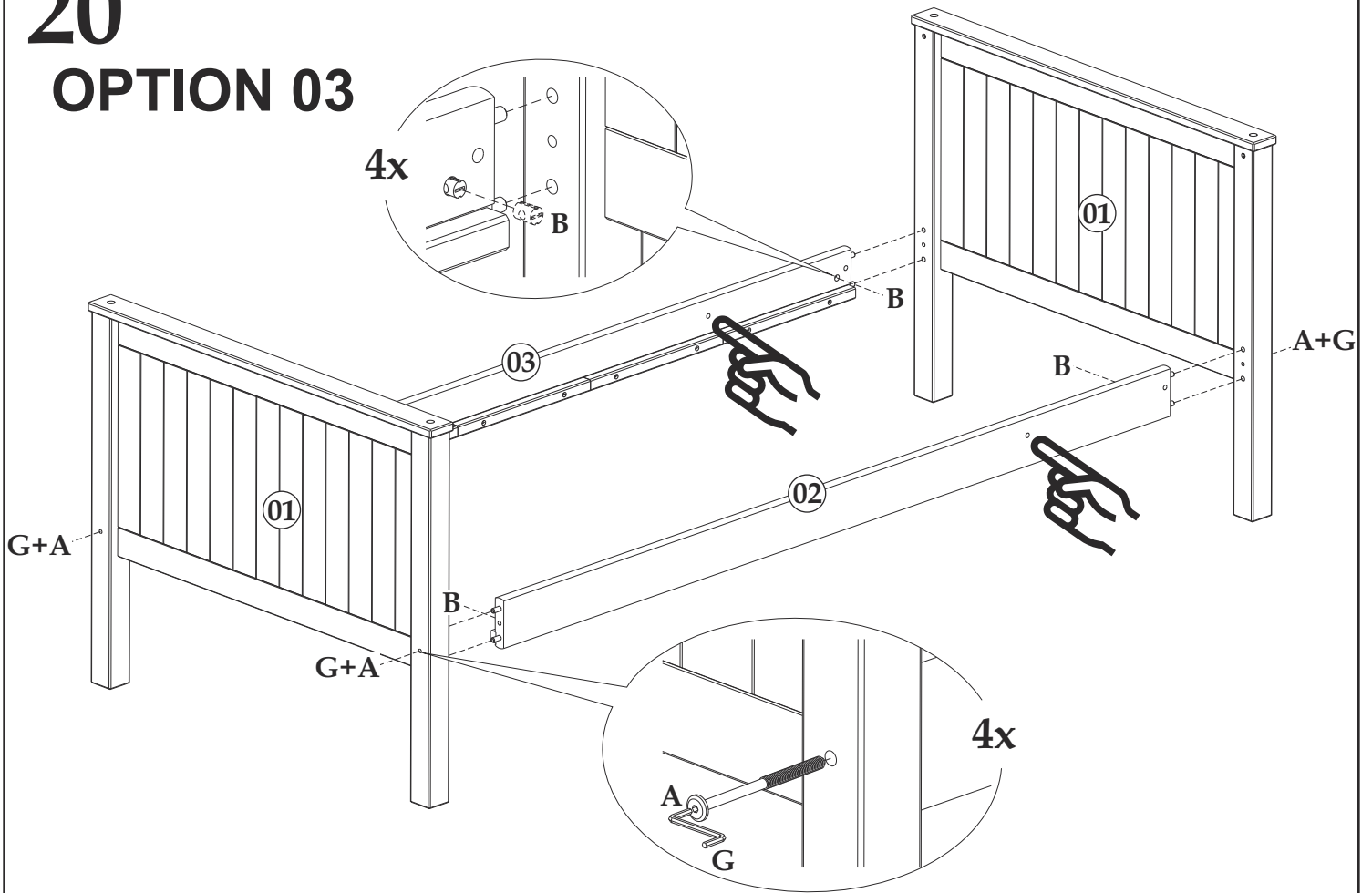


17

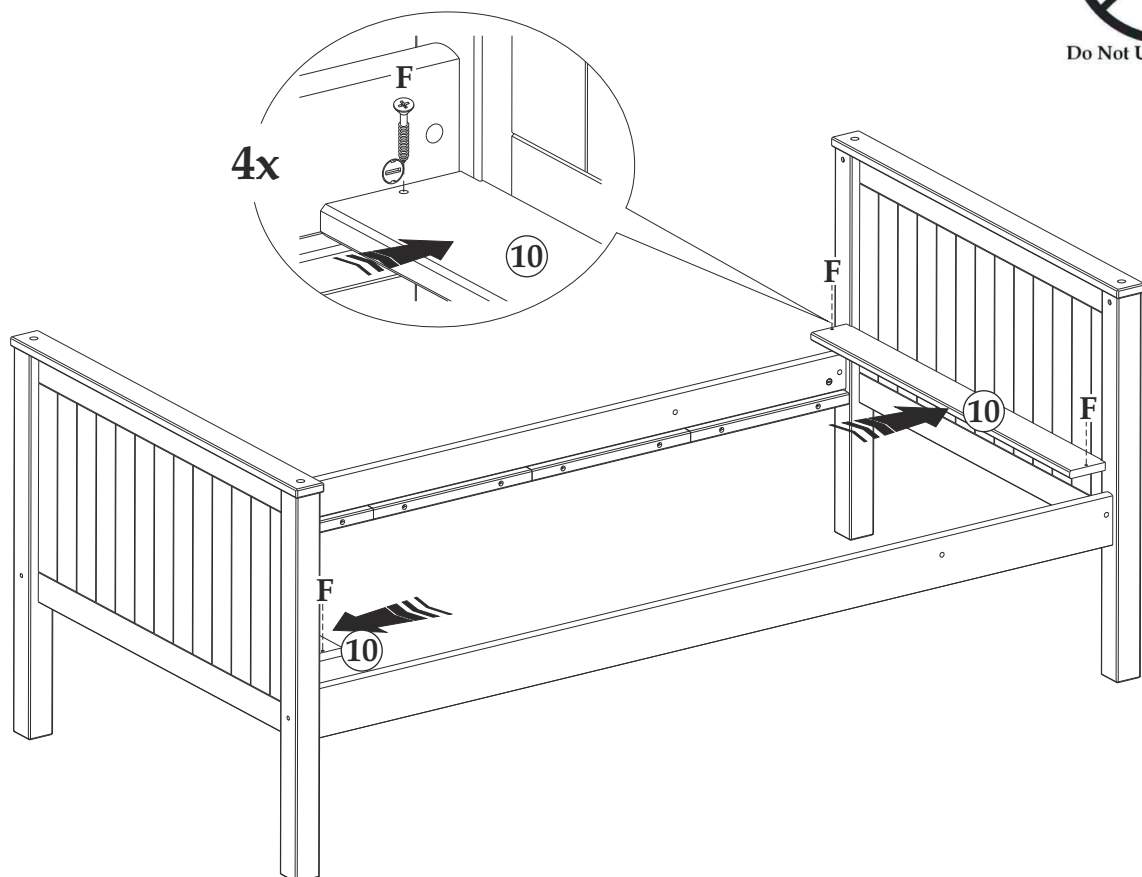


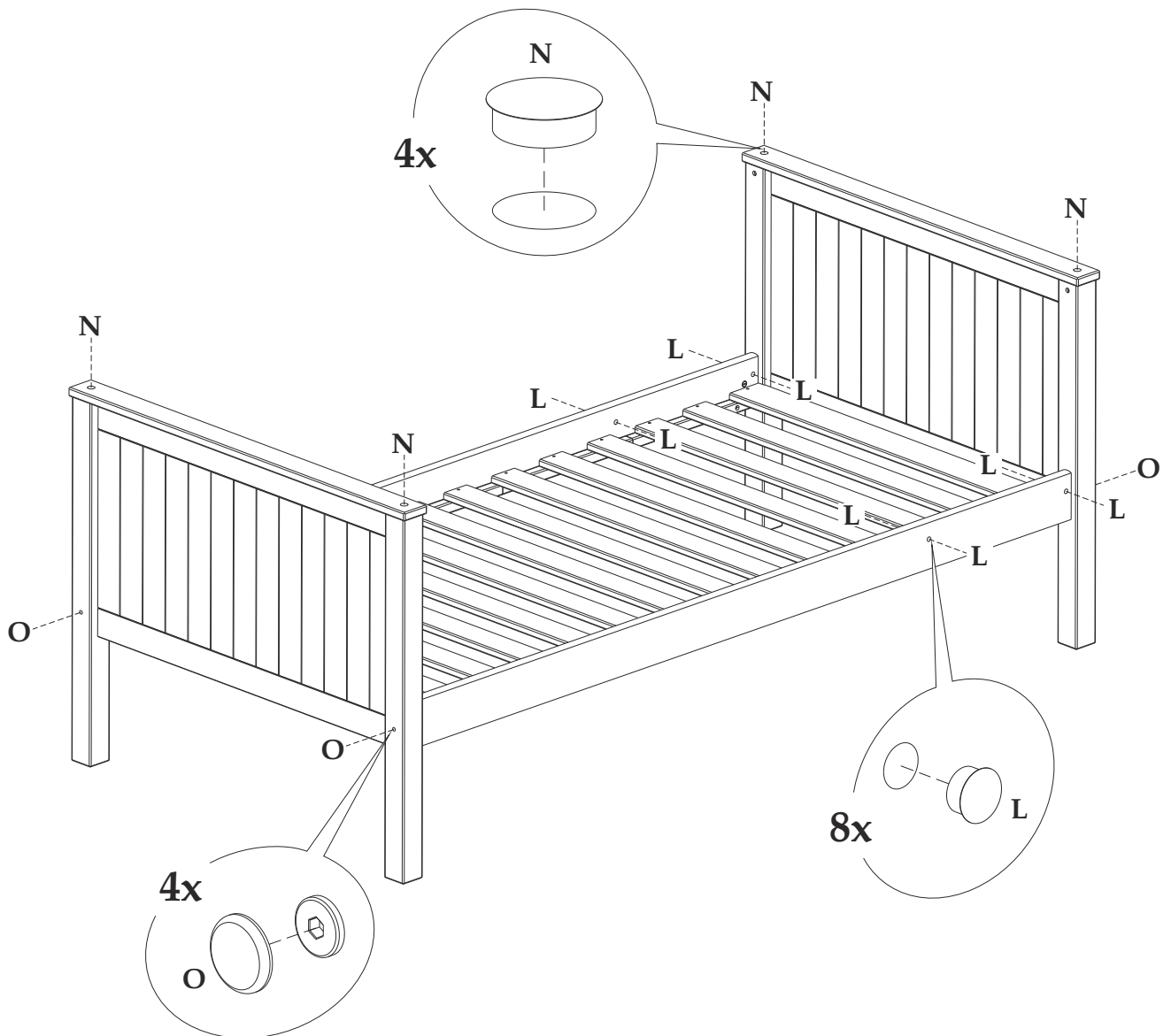
20

OPTION 03



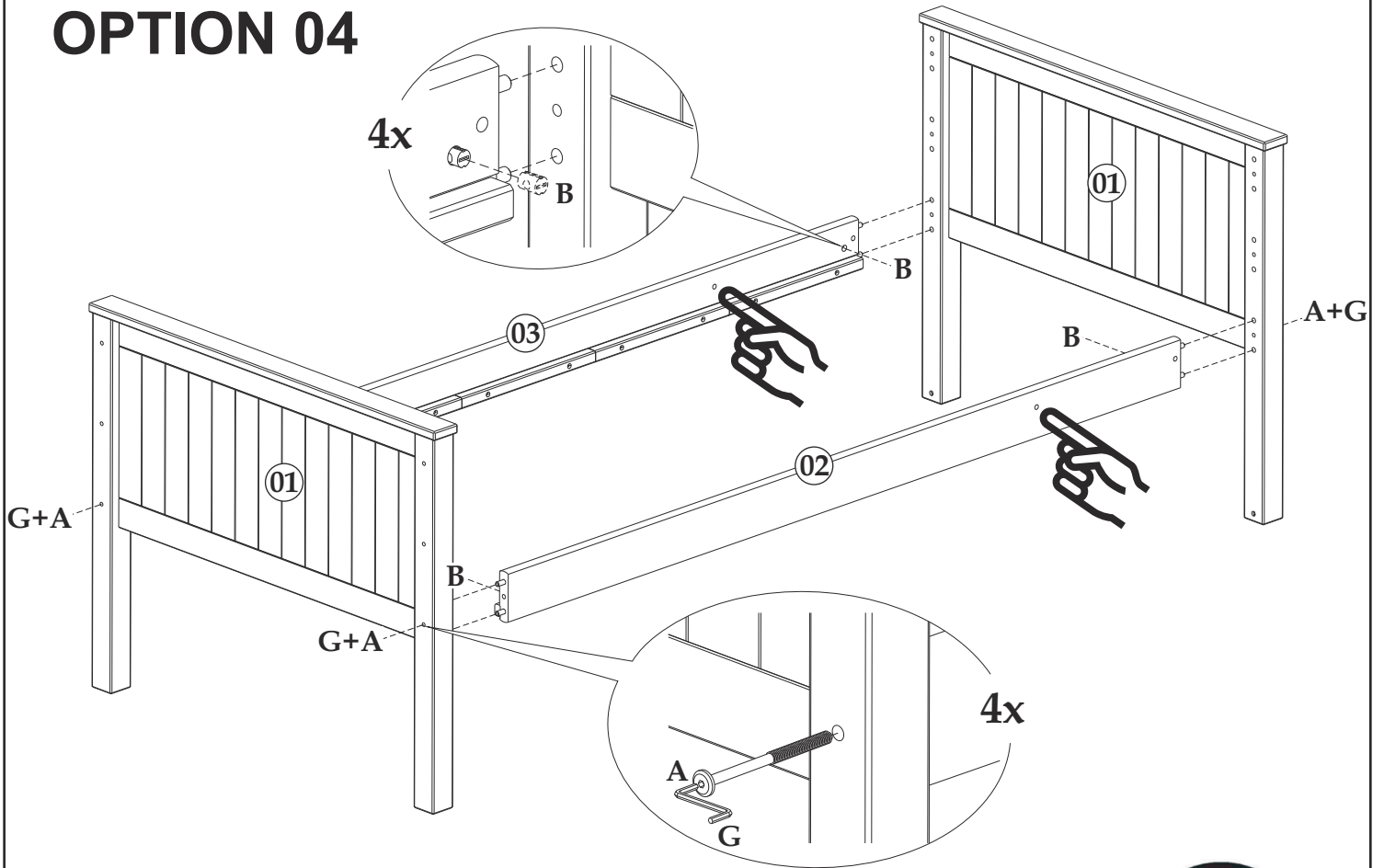
21



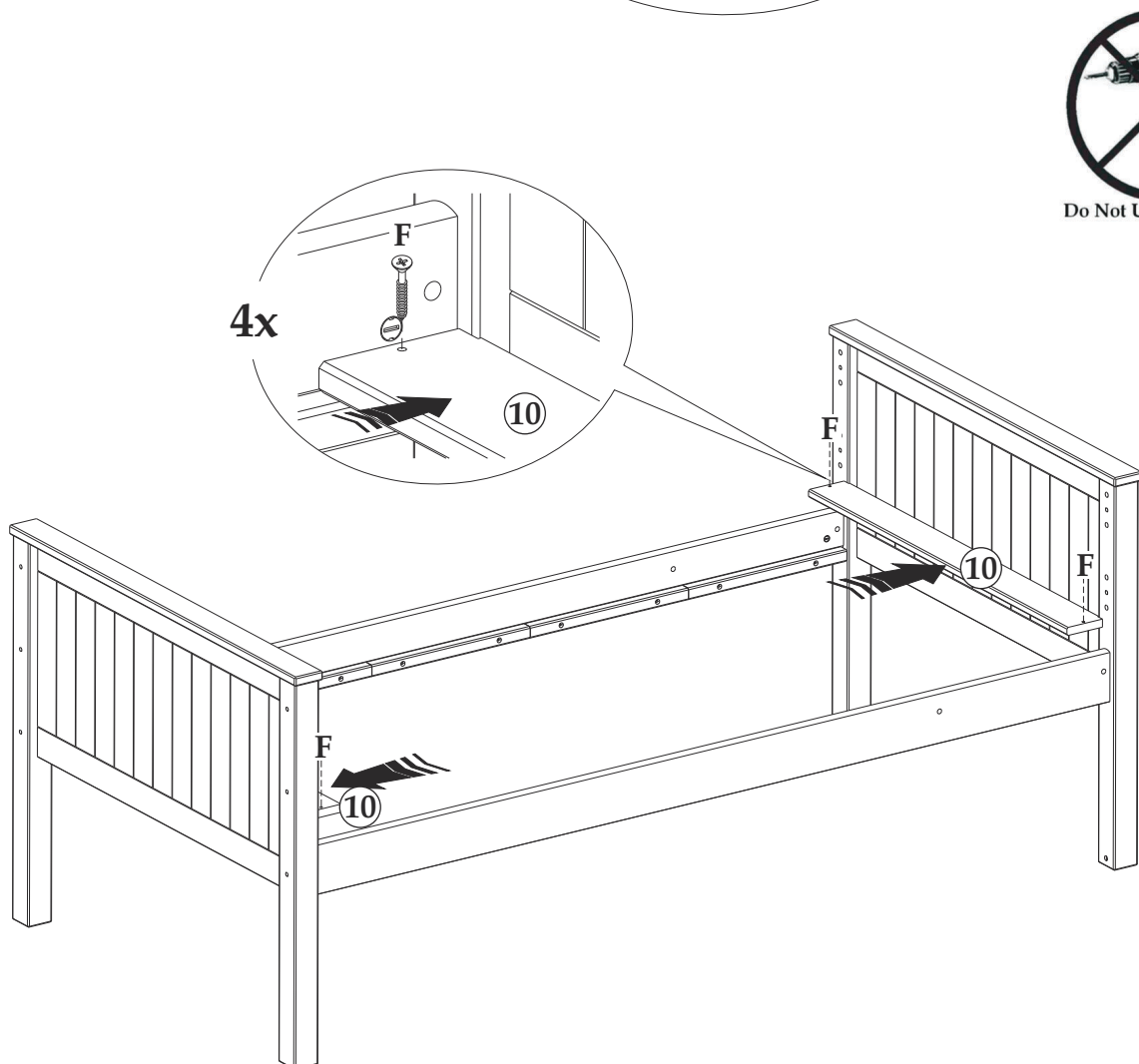


25

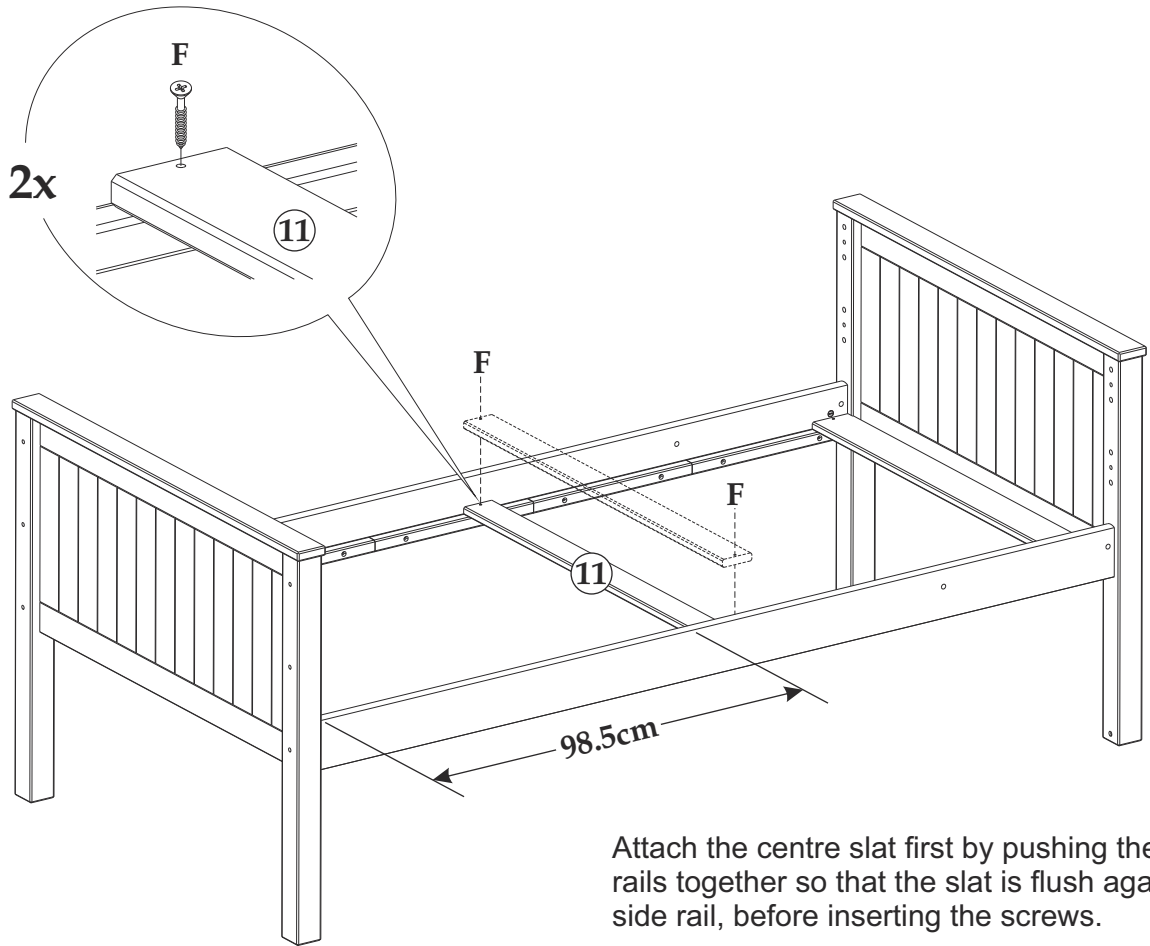
OPTION 04



26

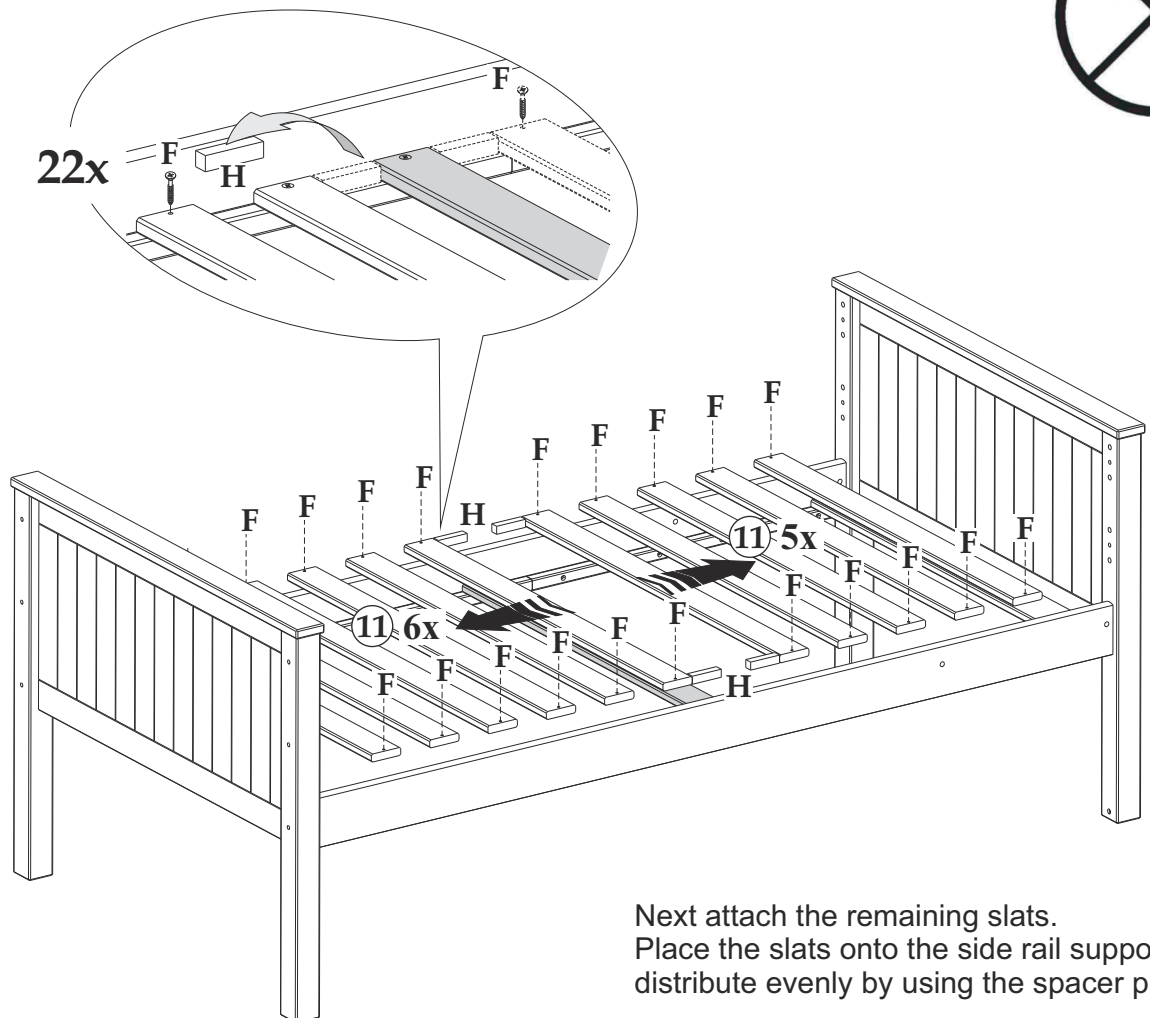


27

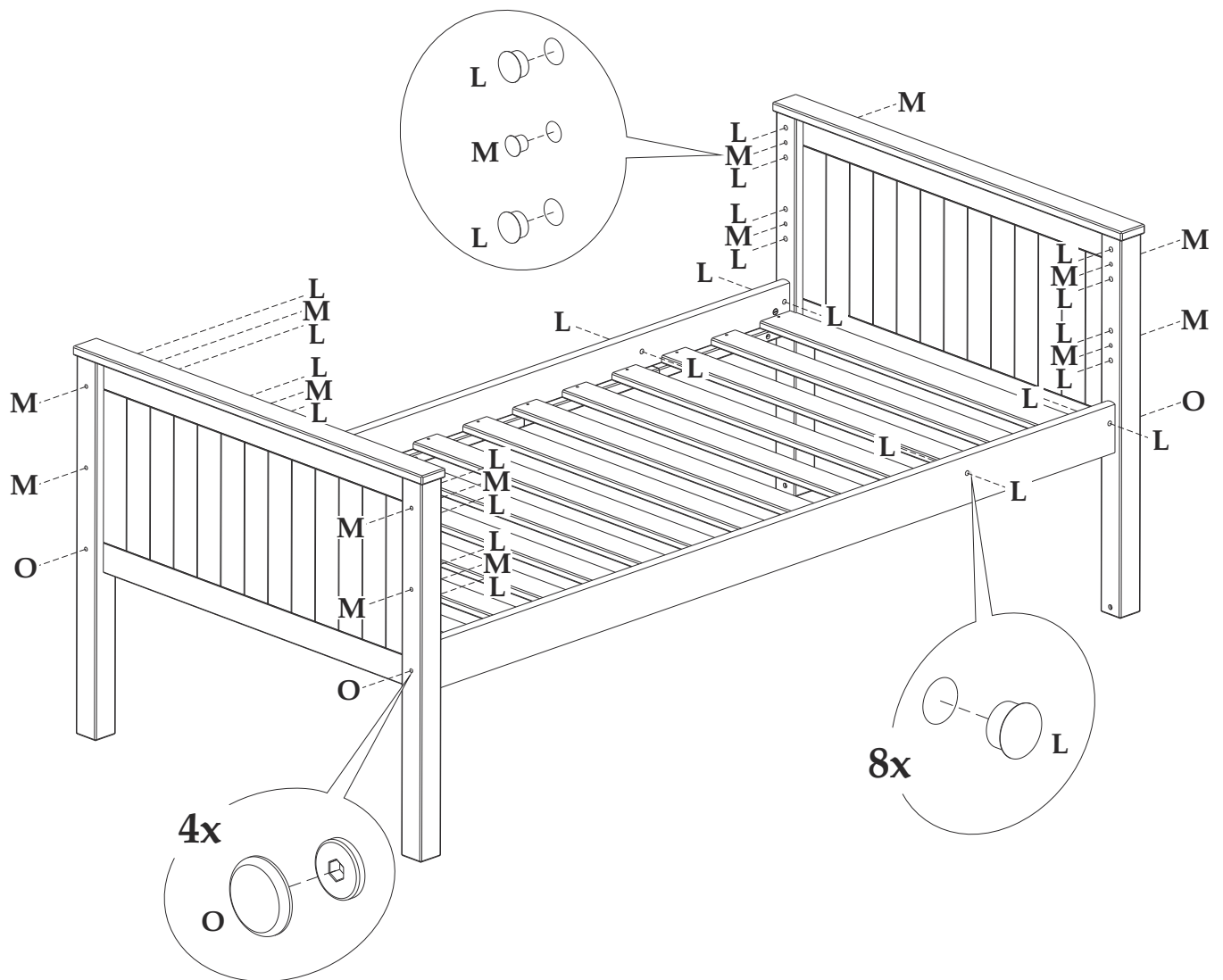


Attach the centre slat first by pushing the side rails together so that the slat is flush against the side rail, before inserting the screws.

28



Next attach the remaining slats. Place the slats onto the side rail supports and distribute evenly by using the spacer provided.



Please dispose of all packaging safely.

General Care & Maintenance

Wipe clean with a slightly damp cloth.
Avoid the use of all household cleaners and abrasives.

Periodically check all screw & fixings to ensure they are secure.
When moving your product, carefully lift into place. Never drag or push the product across the floor as this will cause damage to the joints. If the product is used on hard flooring, such as wood or laminated floor, you must place some protection under the legs to stop the product from moving. If this is not adhered to, it could result in failure to the product that will invalidate the warranty.

For more information on cleaning and product care visit:
<https://www.happybeds.co.uk/help-and-advice>

Notes

We've tried to make this product as easy to assemble as possible. In the unlikely event that you have problems putting it together or have damaged or missing pieces, please contact us by visiting:

<https://www.happybeds.co.uk/customer-service>



www.happybeds.co.uk

