



## Assembly Instructions

# MAISIE Wooden Guest Bed



### Important before assembly:

Read these instructions carefully before assembling or using the product.

Please check the contents of the boxes before attempting to assemble this product. The instructions will have a checklist of parts and fittings.

It would be sensible to lay a rug or a carpet on the floor where you intend to assemble the product, to avoid scratches and damaging the product or the floor.

Assemble the product as close to its intended final location/room as possible.

Do NOT use any power tools as this may damage the frame.

### Health & Safety:

This product or some parts of this product will be heavy. Please use an assistant when lifting.

Please keep small parts out of reach of children.

Always use on a level, even surface.

DO NOT jump on the product or any of its parts.

DO NOT use this product if any parts are missing, damaged or worn.

DO NOT use this product unless all fixings are secured.

Please keep these instructions for future reference.



(Not metal)

These tools are not necessary, but may help to assemble certain parts of the product.

Do NOT use any power tools as this may damage the frame.



This product or some parts of this product will be heavy. Please use an assistant when lifting.



Never drag or push the pieces across a hard or stone floor as this will cause damage to the joints. Use a carpet or a rug for extra care.



If you have problems assembling or have damaged or missing pieces, please contact us by visiting:

<https://www.happybeds.co.uk/customer-service>

# HARDWARE

JCBC  
M6 x 70mm



A

8x

Barrel Nut  
M6 x 15mm



B

8x

Wood Dowel  
M10 x 40mm



C

4x

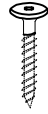
Csk  
M4 x 25mm



D

16x

JCBC - W  
M6 x 30mm



E

8x

M4  
Allen Key



F

1x

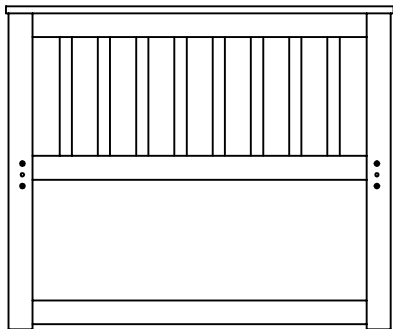
Pad



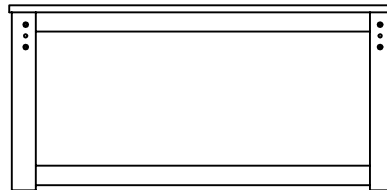
G

4x

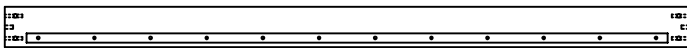
# PARTS



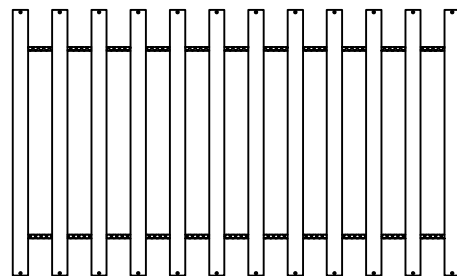
(1) 1x



(2) 1x



(3) 2x



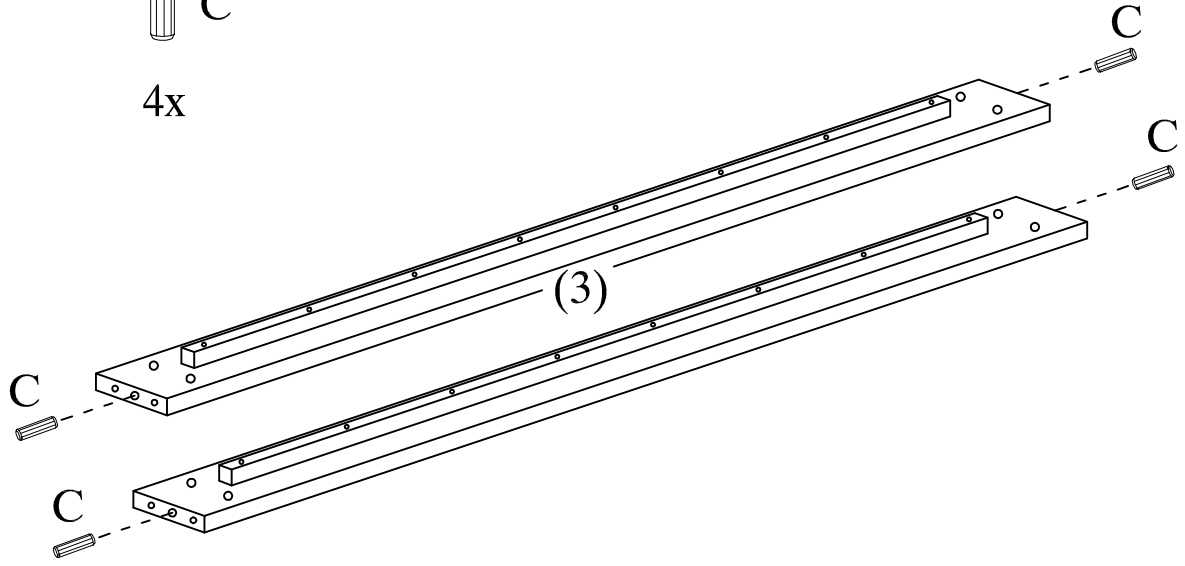
(4) 1x

# 1

Wood Dowel  
M10 x 40mm



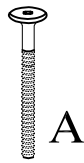
4x



# 2

JCBC  
M6 x 70mm

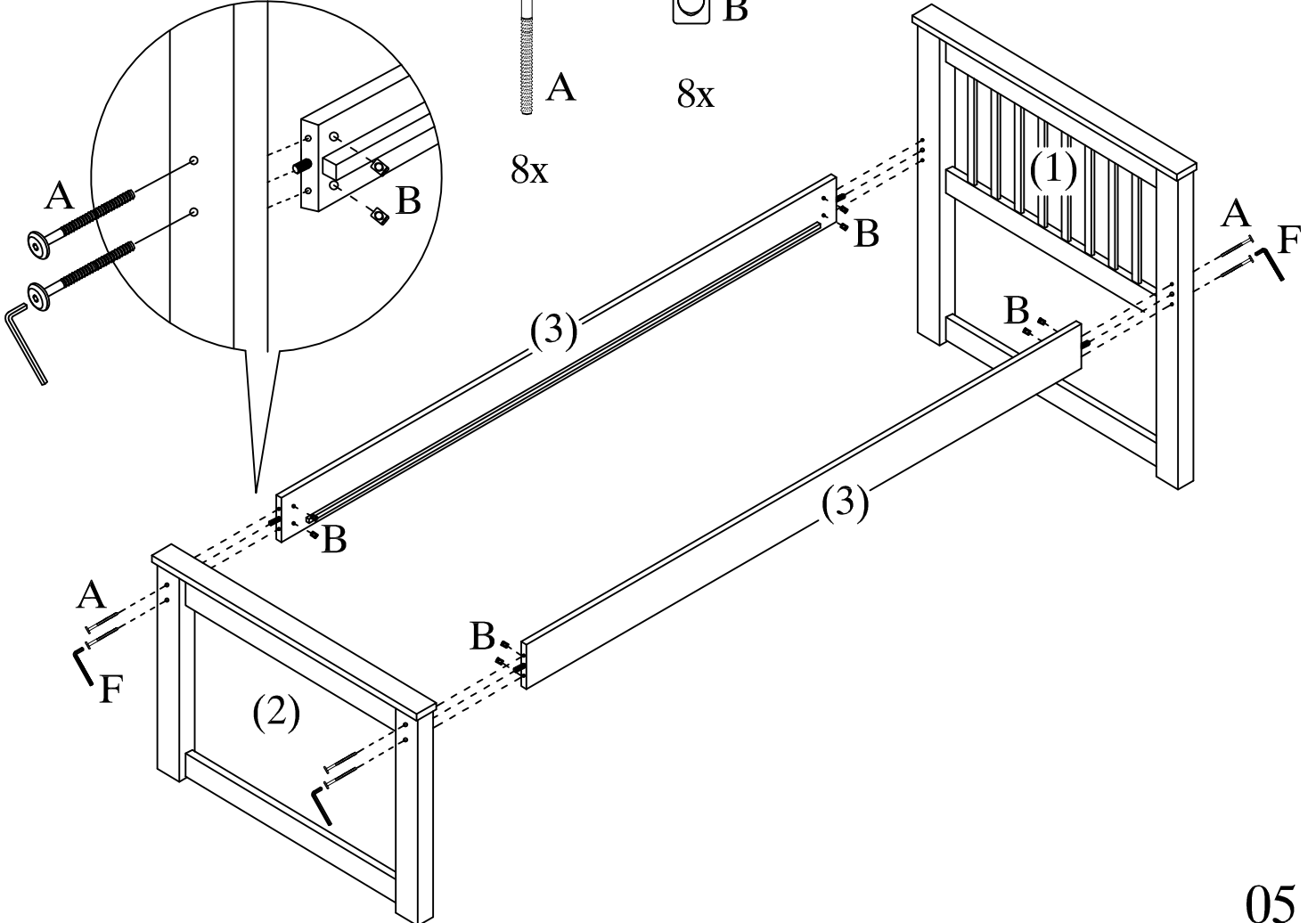
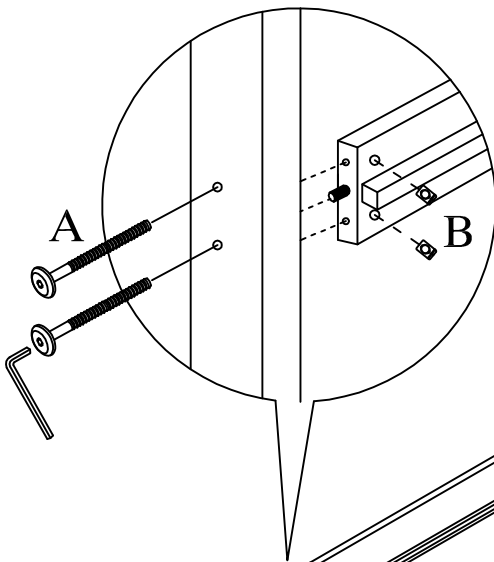
Barrel Nut  
M6 x 15mm



A

8x

8x



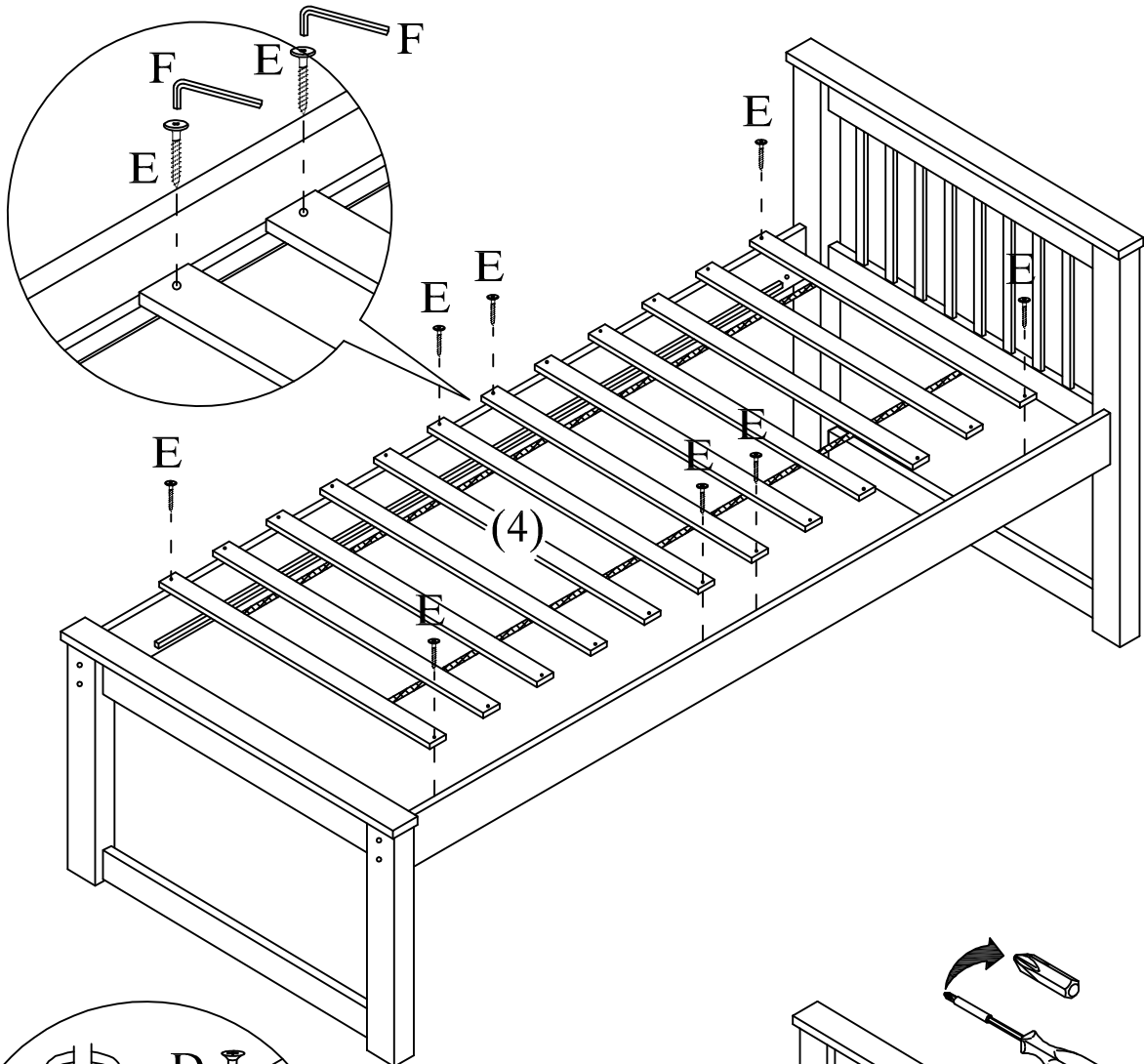
# 3

JCBC - W  
M6 x 30mm



E

8x



# 4

Csk  
M4 x 25mm



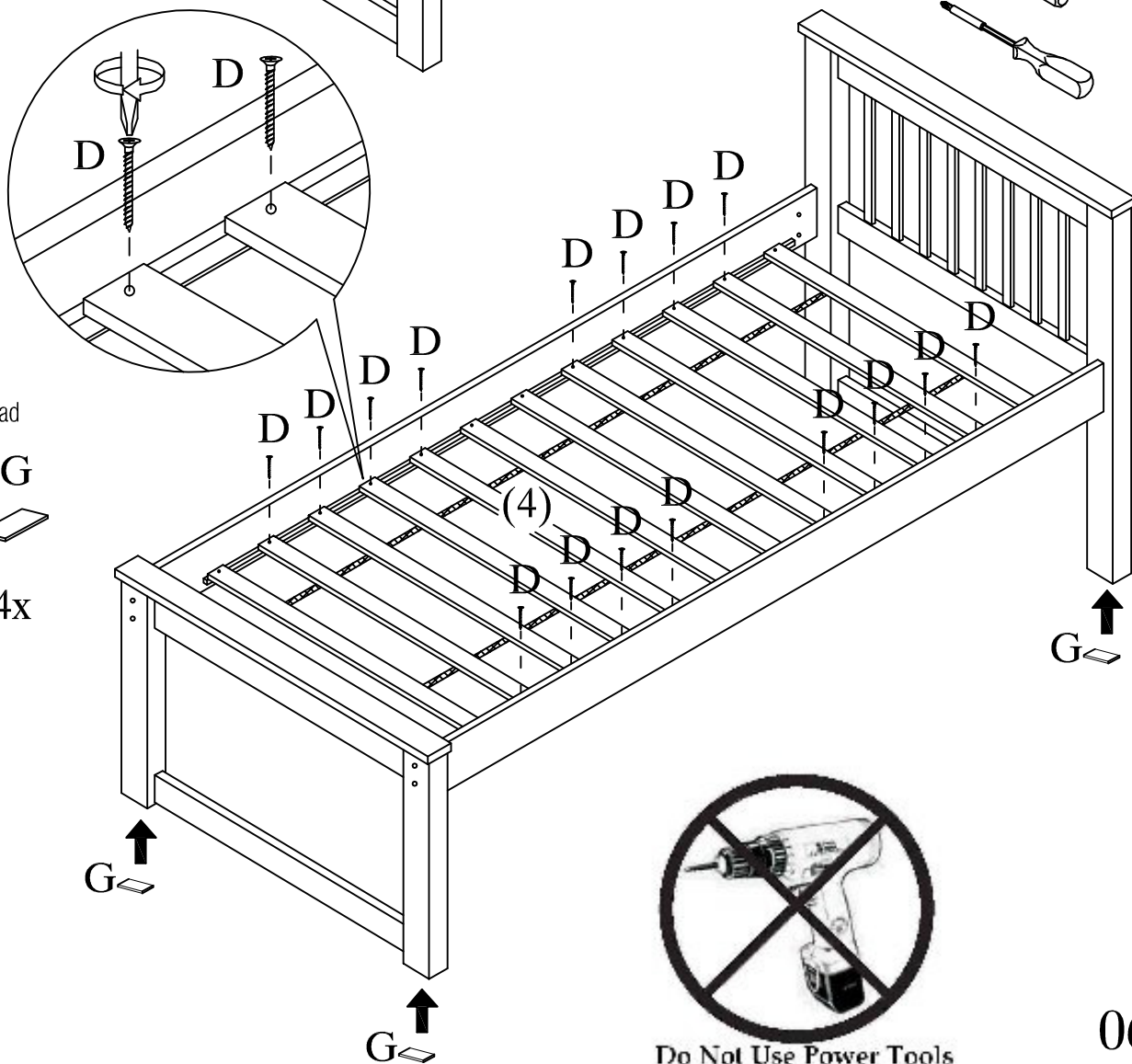
D

16x

Pad

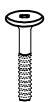

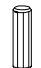





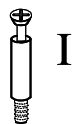


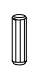

4x

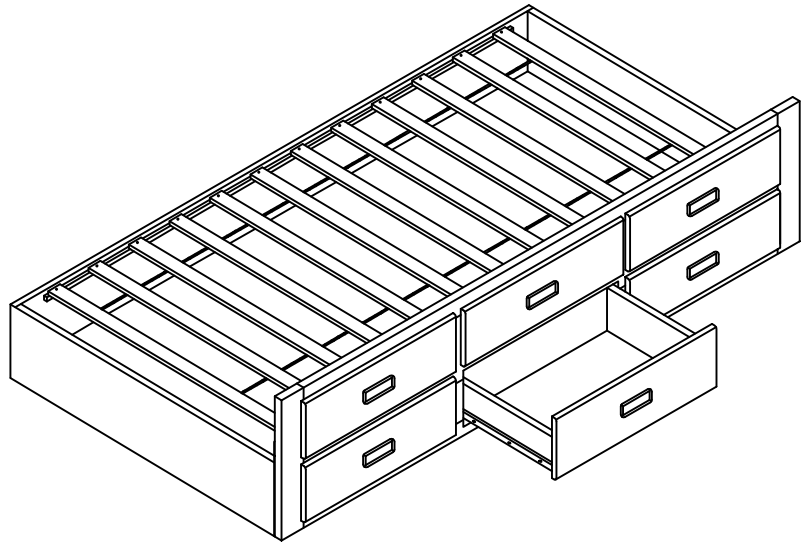


Do Not Use Power Tools

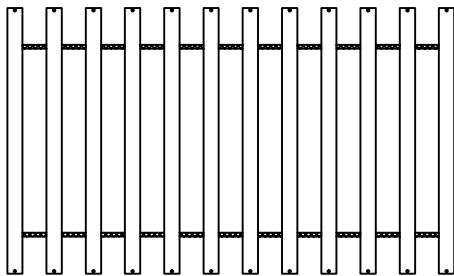
# HARDWARE

JCBC M6 x 35mm	JCBC - W M6 x 30mm	Wood Dowel M8 x 30mm	Csk M4 x 25mm	Csk M3.5 x 16mm	Caster	Minifix Housing (Long)	Nylon Socket	Connecting Bolt
 A	 B	 C	 D	 E	 F	 G	 H	 I
8x	8x	8x	46x	22x	4x	8x	8x	8x

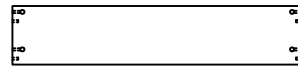
Wood Dowel M6 x 25mm	M4 Allen Key
 J	 K
24x	1x



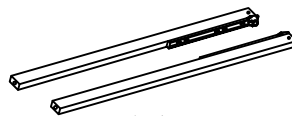
# PARTS



(4) 1x



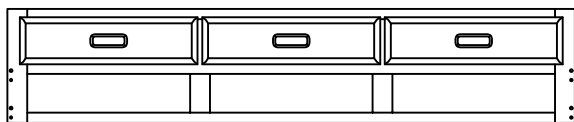
(7) 2x



(8) 2x



(9) 2x



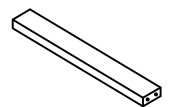
(5) 1x



(10) 3x



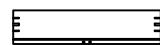
(12) 6x



(14) 3x



(6) 1x



(11) 3x



(13) 3x

# 5

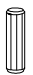
Csk  
M3.5 x 16mm

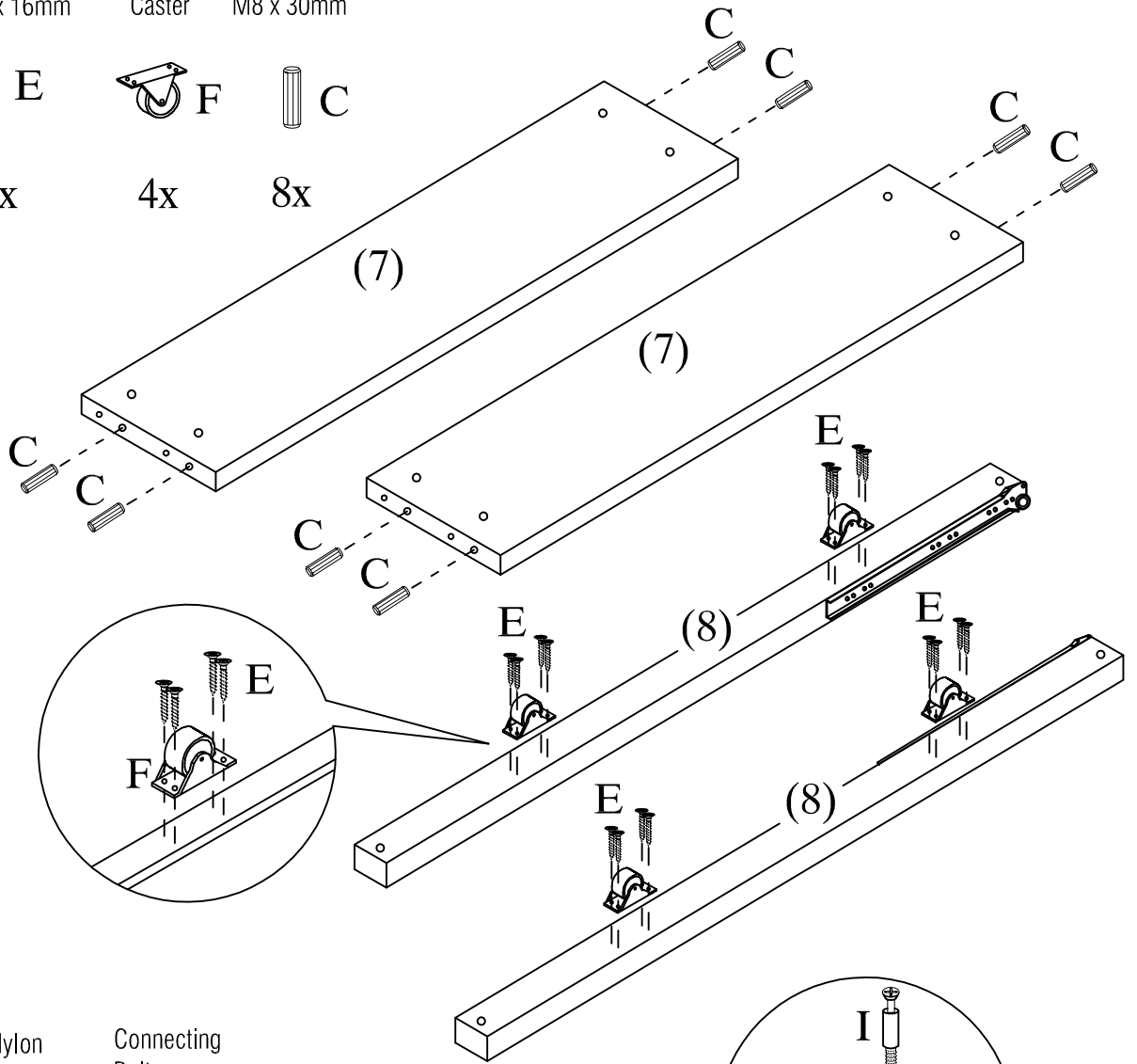
Caster

Wood Dowel  
M8 x 30mm

 E  
16x

 F  
4x

 C  
8x




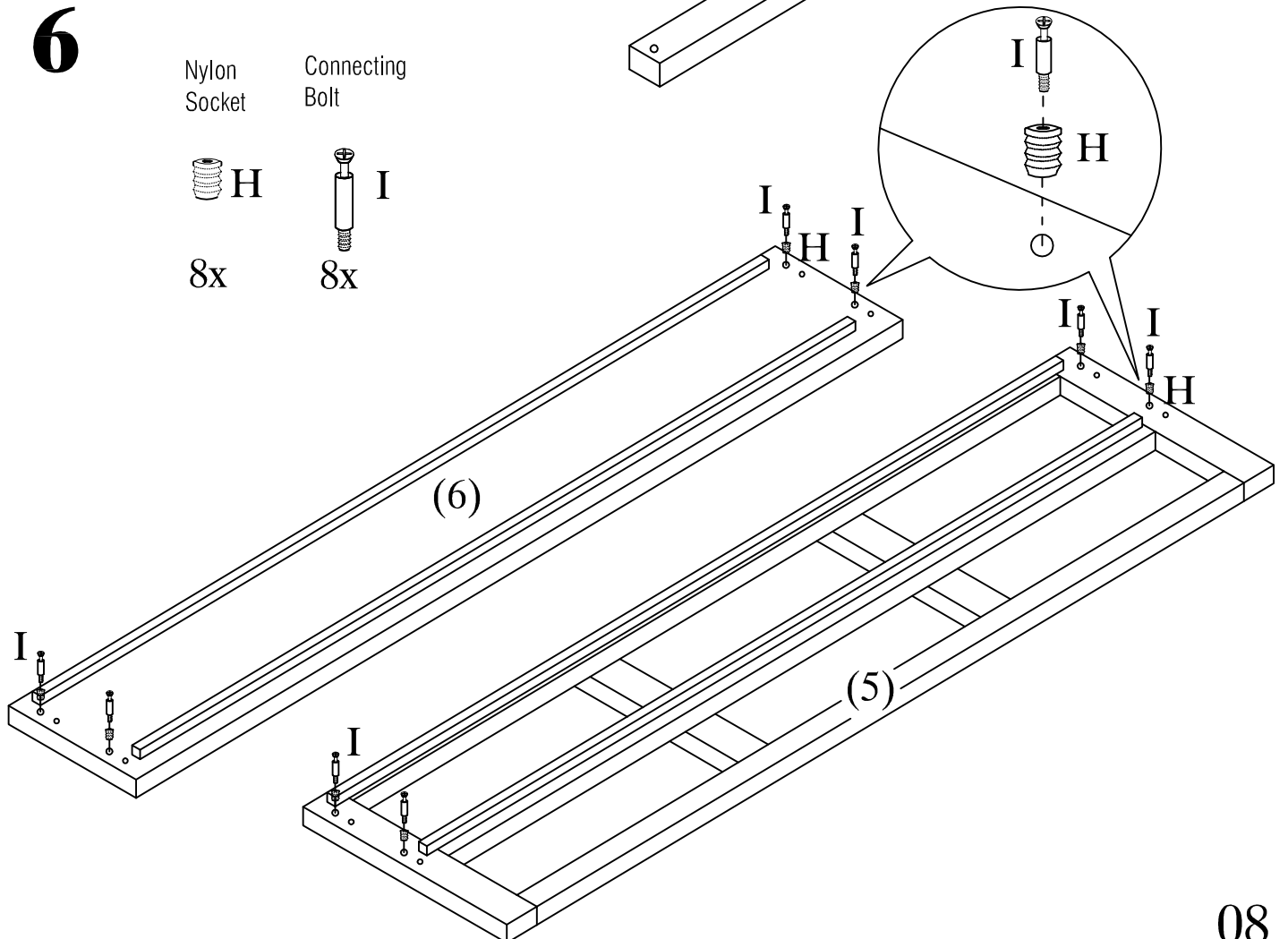
# 6

Nylon  
Socket

Connecting  
Bolt

 H  
8x

 I  
8x

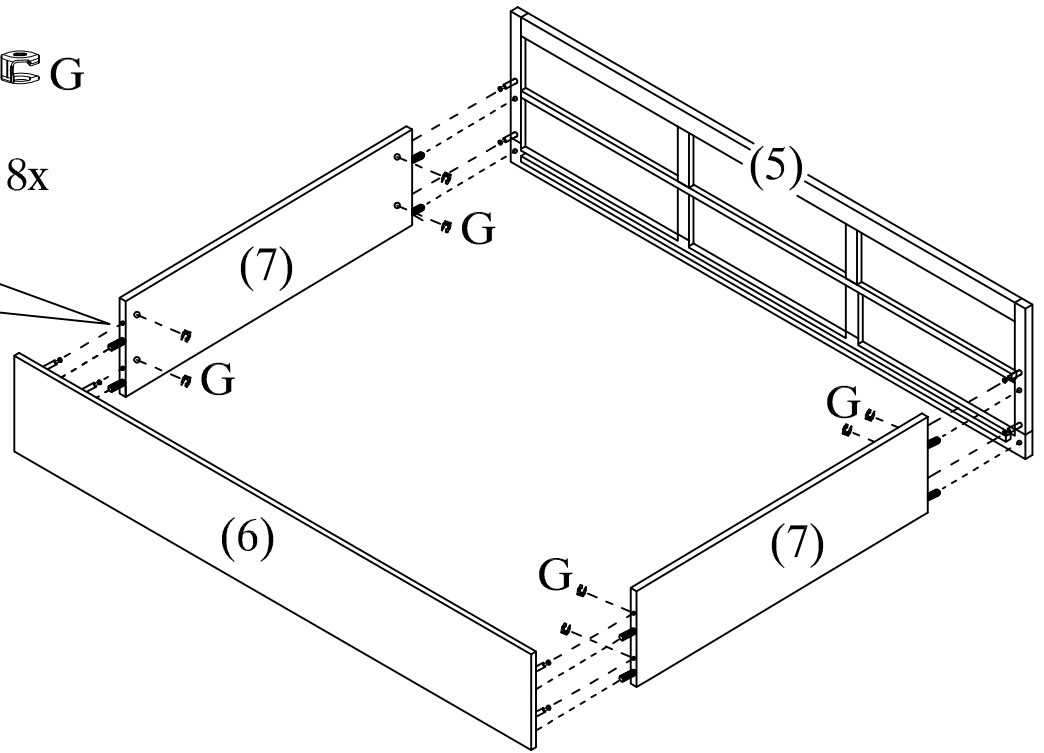
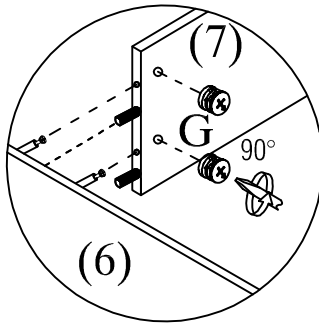


# 7

Minifix  
Housing  
(Long)



8x



# 8

JCBC  
M6 x 35mm

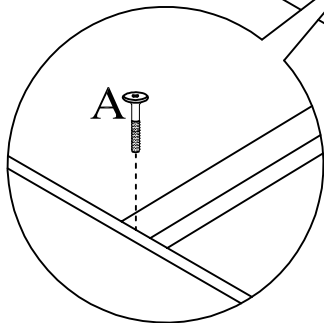
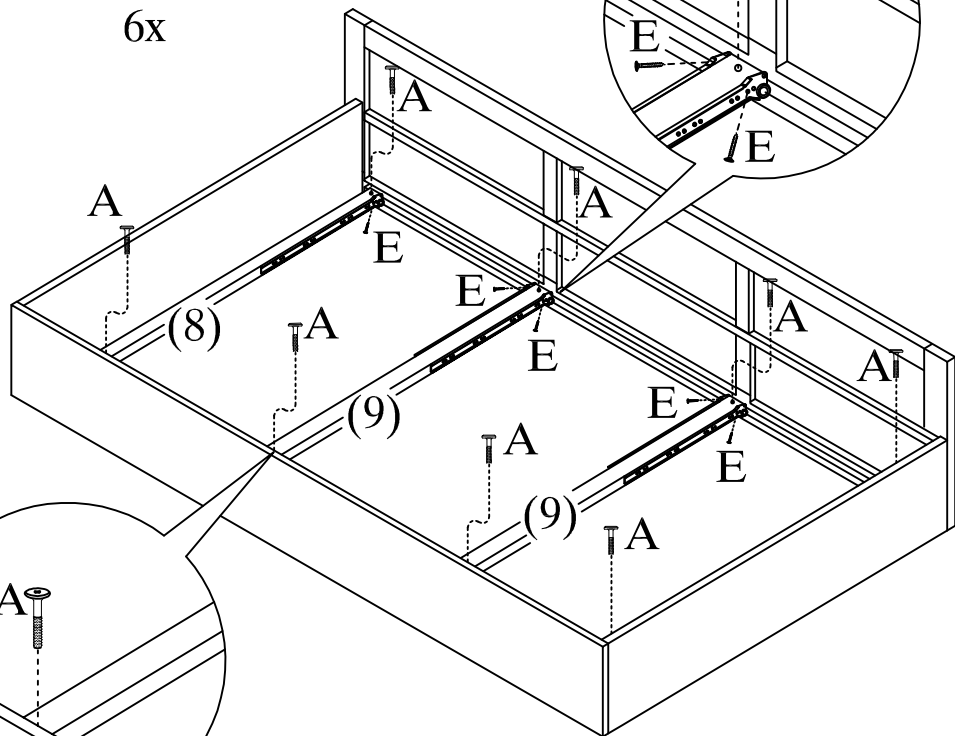
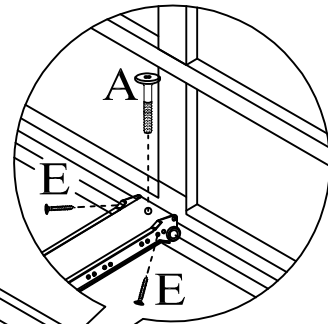
Csk  
M3.5 x 16mm



8x



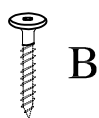
6x



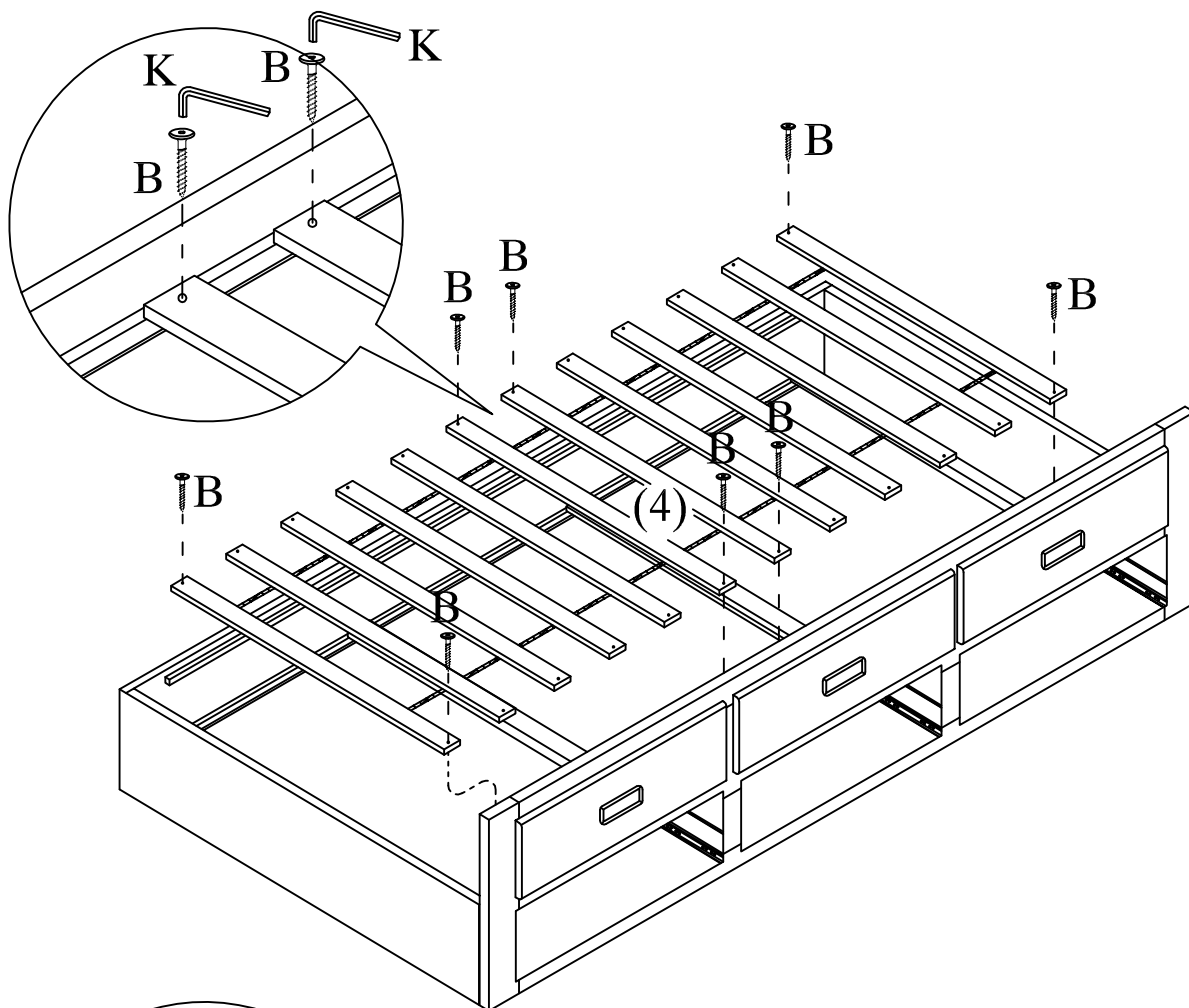


# 9

JCBC - W  
M6 x 30mm



8x

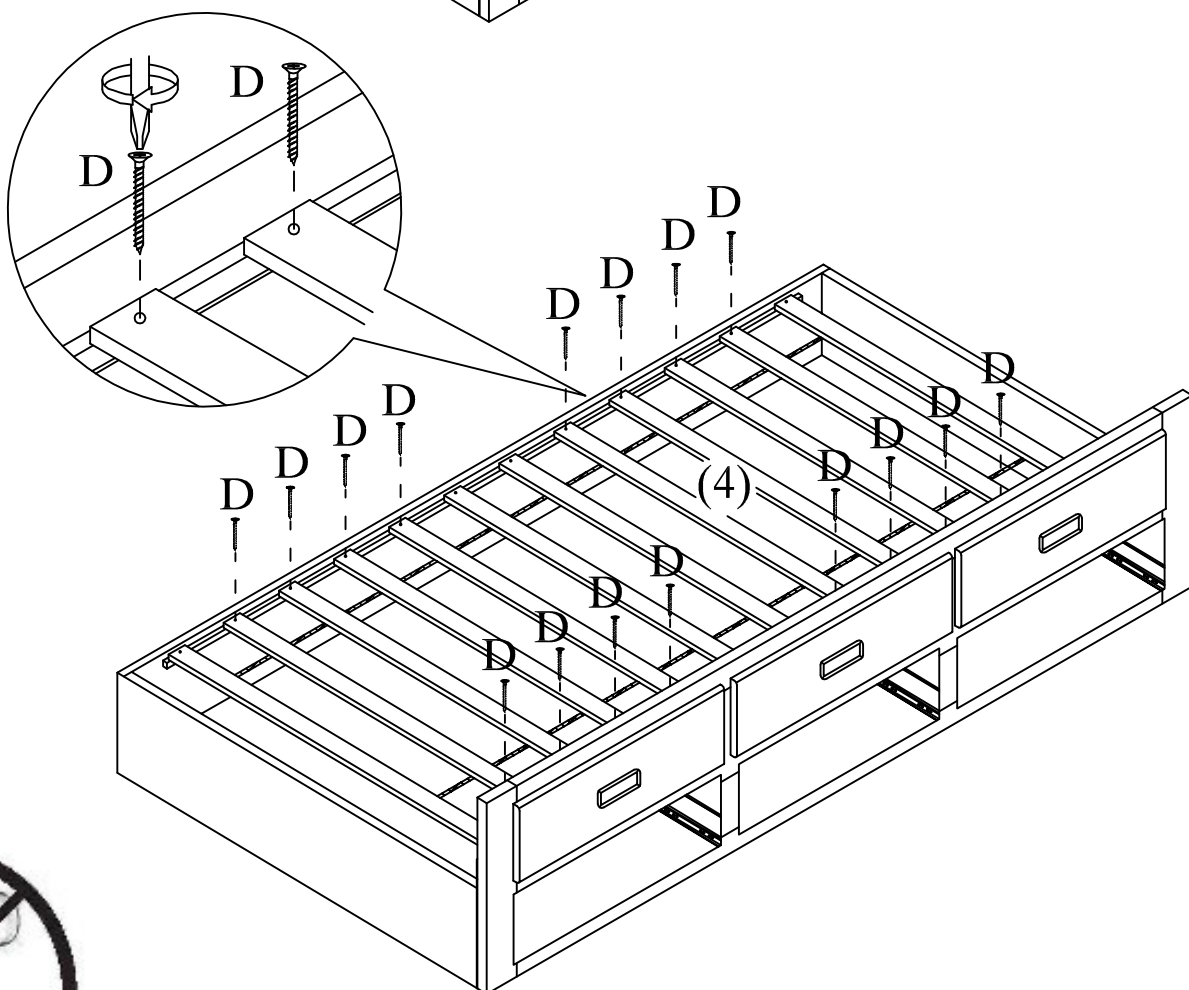


# 10

Csk  
M4 x 25mm



16x



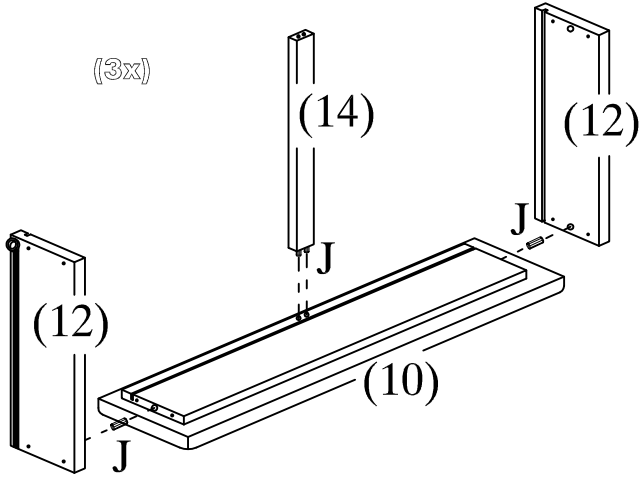
Do Not Use Power Tools

# 11

Wood Dowel  
M6 x 25mm

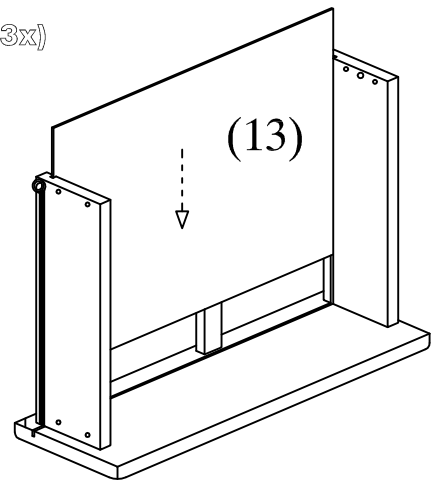


12x



# 12

(3x)

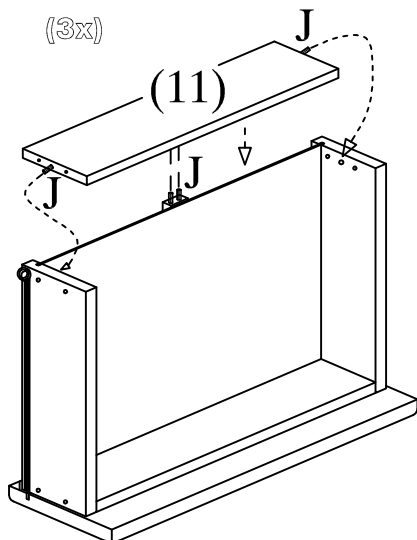


# 13

Wood Dowel  
M6 x 25mm



12x

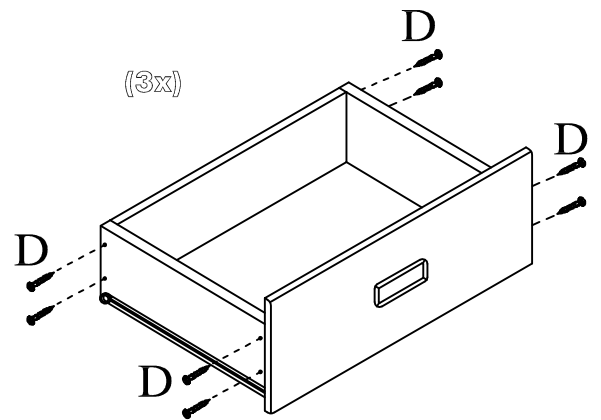


# 14

Csk  
M4 x 25mm

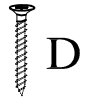


16x



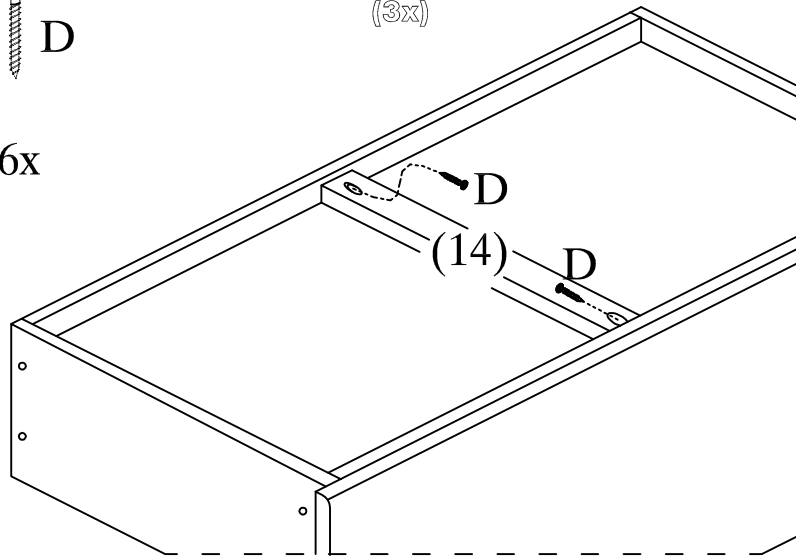
# 15

Csk  
M4 x 25mm

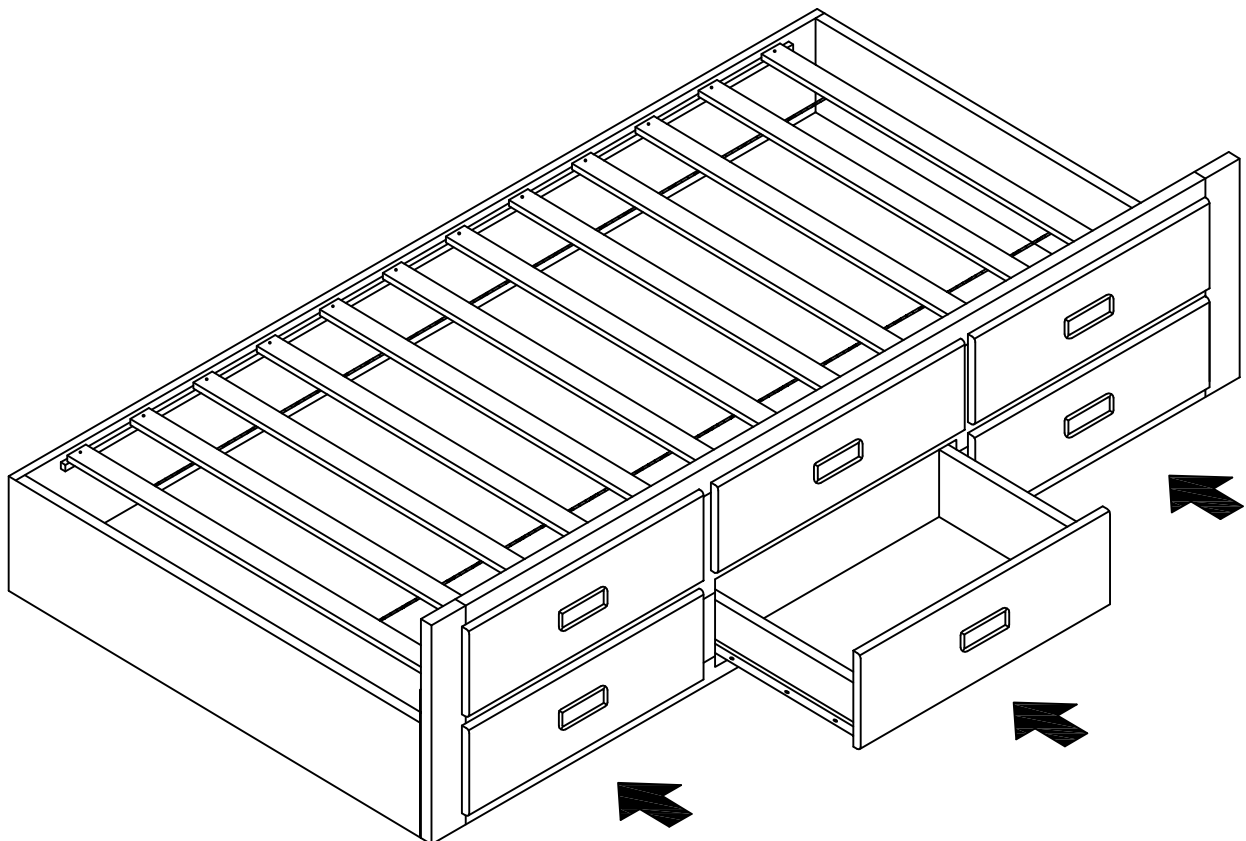


6x

(3x)



# 16



Please dispose of all packaging safely.

## General Care & Maintenance

Wipe clean with a slightly damp cloth.  
Avoid the use of all household cleaners and abrasives.

Periodically check all screw & fixings to ensure they are secure.  
When moving your product, carefully lift into place. Never drag or push the product across the floor as this will cause damage to the joints. If the product is used on hard flooring, such as wood or laminated floor, you must place some protection under the legs to stop the product from moving. If this is not adhered to, it could result in failure to the product that will invalidate the warranty.

For more information on cleaning and product care visit:  
<https://www.happybeds.co.uk/help-and-advice>

## Notes

We've tried to make this product as easy to assemble as possible. In the unlikely event that you have problems putting it together or have damaged or missing pieces, please contact us by visiting:

<https://www.happybeds.co.uk/customer-service>



[www.happybeds.co.uk](http://www.happybeds.co.uk)

