

Assembly Instructions

Important before assembly:

Read these instructions carefully before assembling or using the product.

Please check the contents of the boxes before attempting to assemble this product. The instructions will have a checklist of parts and fittings.

Assemble the product as close to its intended final location/room as possible.

Health & Safety:

This product or some parts of this product will be heavy. Please use an assistant when lifting.

Please keep small parts out of reach of children.

Always use on a level, even surface.

DO NOT jump on the product or any of its parts.

DO NOT use this product if any parts are missing, damaged or worn.

DO NOT use this product unless all fixings are secured.

Further instructions are on the following pages.

Please keep these instructions for future reference.



This product or some parts of this product will be heavy. Please use an assistant when lifting.



Never drag or push the pieces across a hard or stone floor as this will cause damage to the joints. Use a carpet or a rug for extra care.

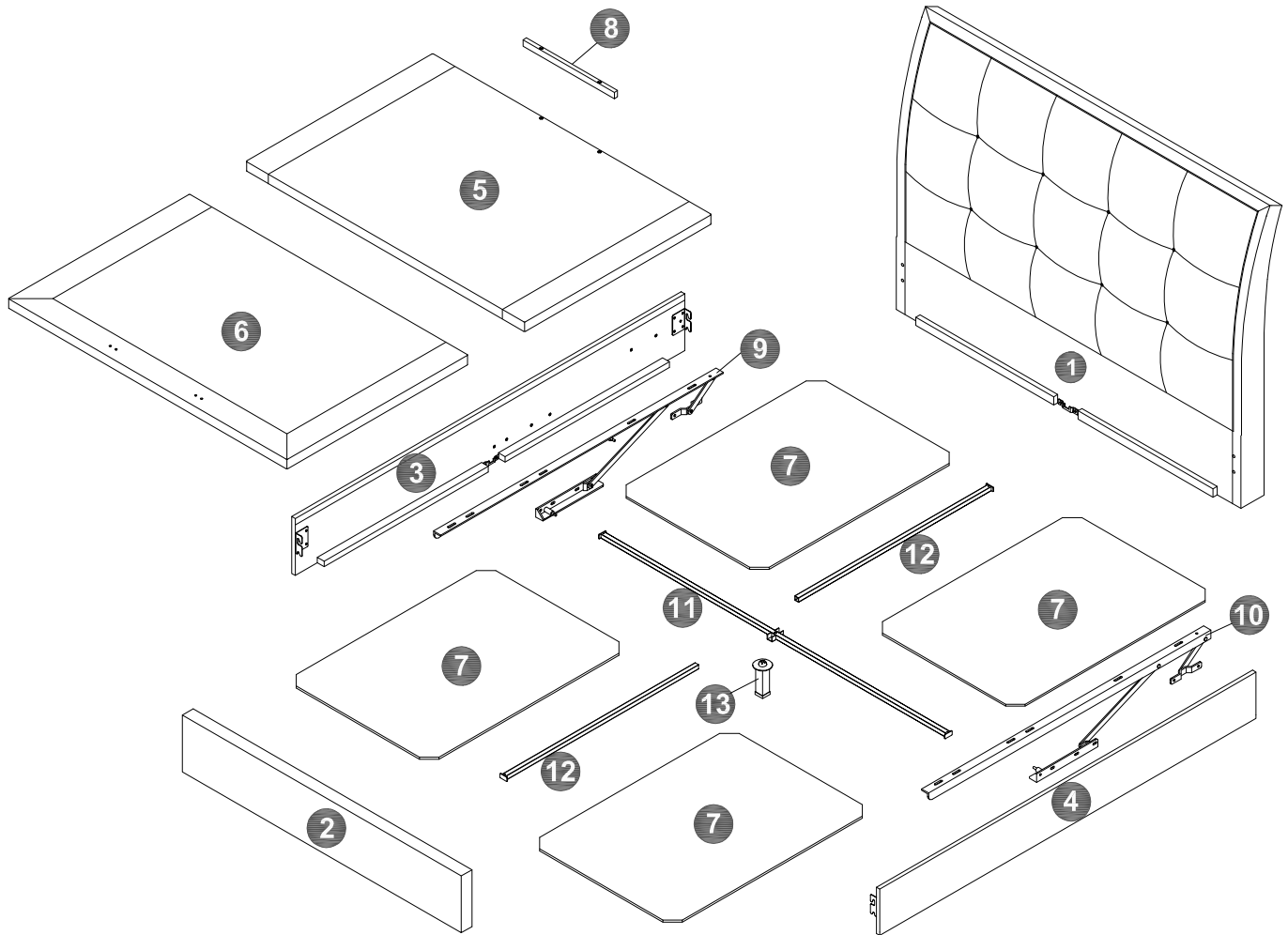


If you have problems assembling or have damaged or missing pieces, please contact our customer services (details at the back of these instructions)

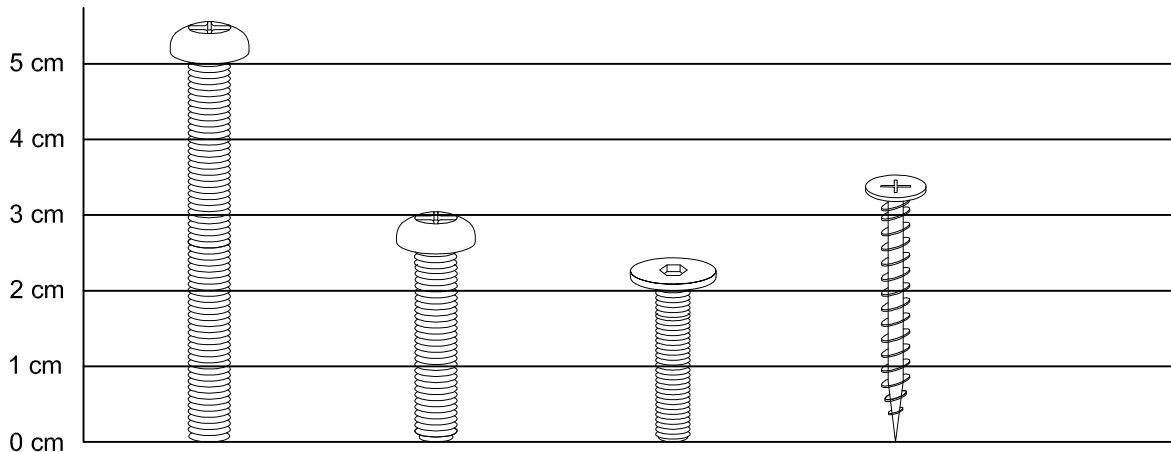
PARTS LIST

NO.	PART LISTS	QTY
1	HEADBOARD	1
2	FOOTBOARD	1
3	SIDE RAIL (L)	1
4	SIDE RAIL (R)	1
5	FRONT LIFT BASE	1
6	BACK LIFT BASE	1
7	BASE PANEL	4
8	MATTRESS SUPPORT RAIL	1
9	LIFT UP MECHANISM (LEFT)	1
10	LIFT UP MECHANISM (RIGHT)	1
11	BOTTOM CROSS RAIL (LONG)	1
12	BOTTOM CROSS RAIL (SHORT)	2
13	CENTRE SUPPORT LEG	1

CARTON 1 CONSISTS OF PART : 1, 2
 CARTON 2 CONSISTS OF PART : 3, 4, 8, 11, 12, 13 HARDWARE,
 HB LEGS, FB LEGS
 CARTON 3 CONSISTS OF PART : 5, 6
 CARTON 5 CONSISTS OF PART : 7
 CARTON 6 CONSISTS OF PART : 9,10



HARDWARE LIST

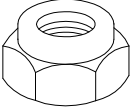


2x
M8 X 50mm
A
BOLT


12x
M8 X 25mm
B
BOLT

4x
M6 X 20mm
C
BOLT


8x
#8 X 32mm
D
SCREW



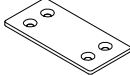
4x
M8 X 13mm
E
LOCK NUT



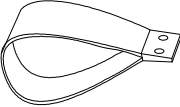
4x
M6 X 16mm
F
FLAT
WASHER



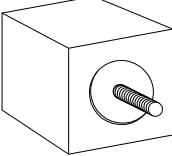
12x
M8 X 18mm
G
FLAT
WASHER



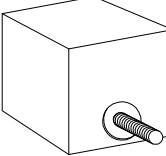
2x
86 X 40mm
H
METAL
PLATE



2x
I
STRAP
HANDLE



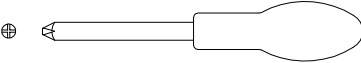
2x
J
HEADBOARD
LEG




2x
K
FOOTBOARD
LEG




1x
L
ALLEN KEY
(M4)



1x
N
SCREW DRIVER
(4" x 5mm)



1x
O
SPANNER
(13mm)

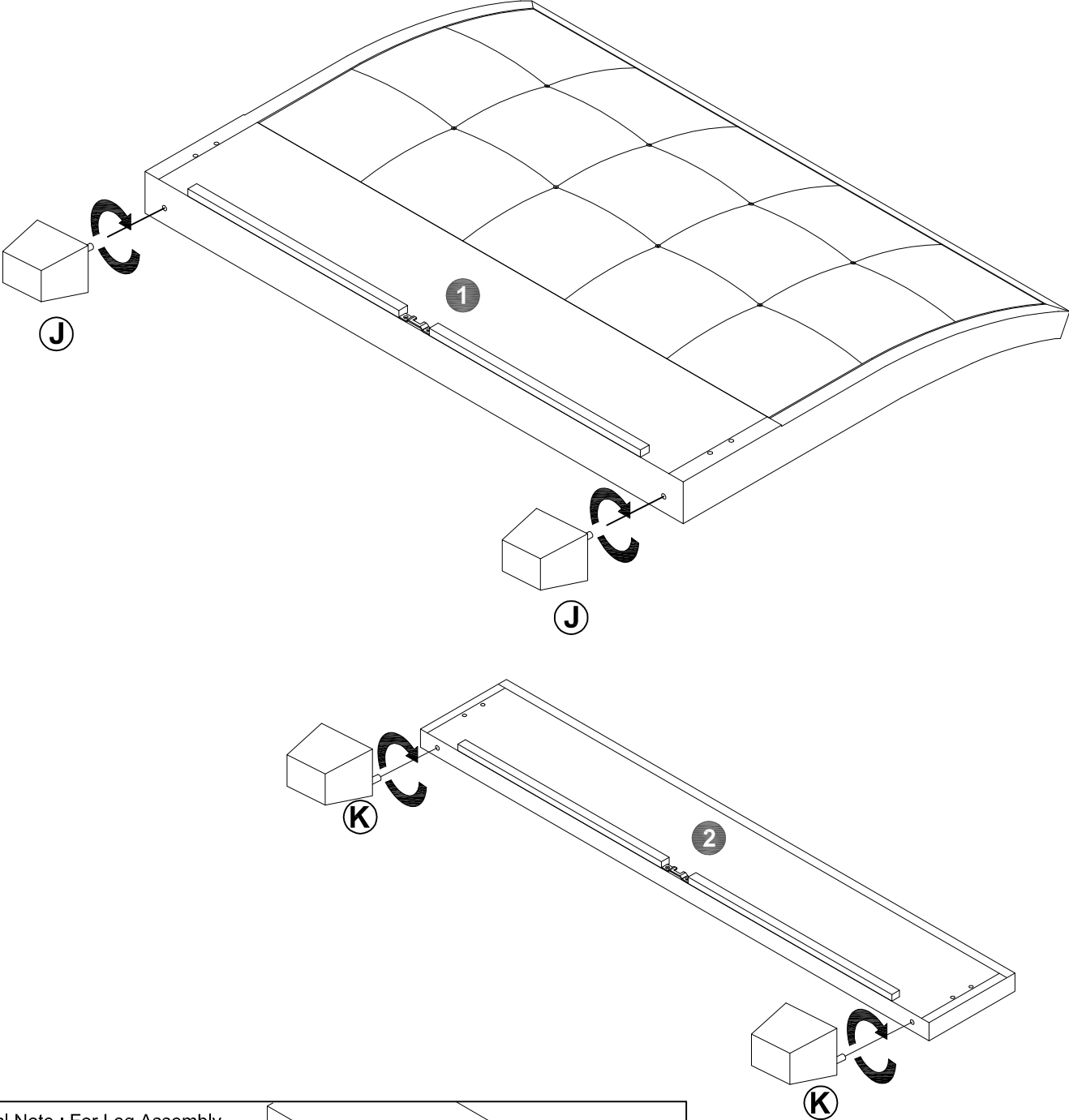
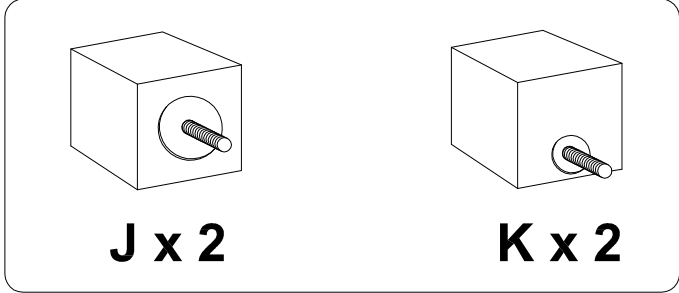


2x
P
STUD BOLT
Ø6 X 40mm



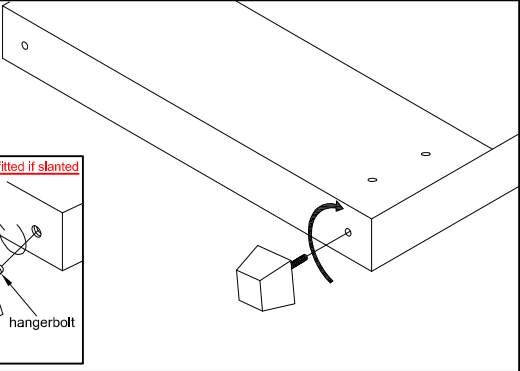
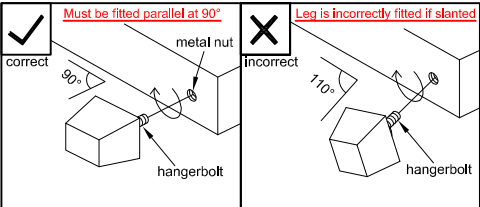
2x
564 x 900N
M
GAS SPRING

STEP 1

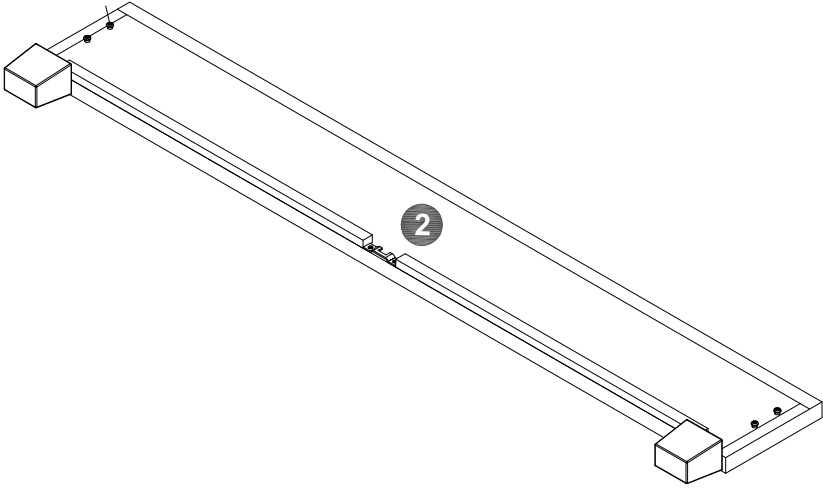
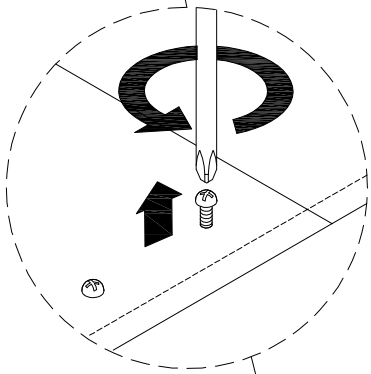
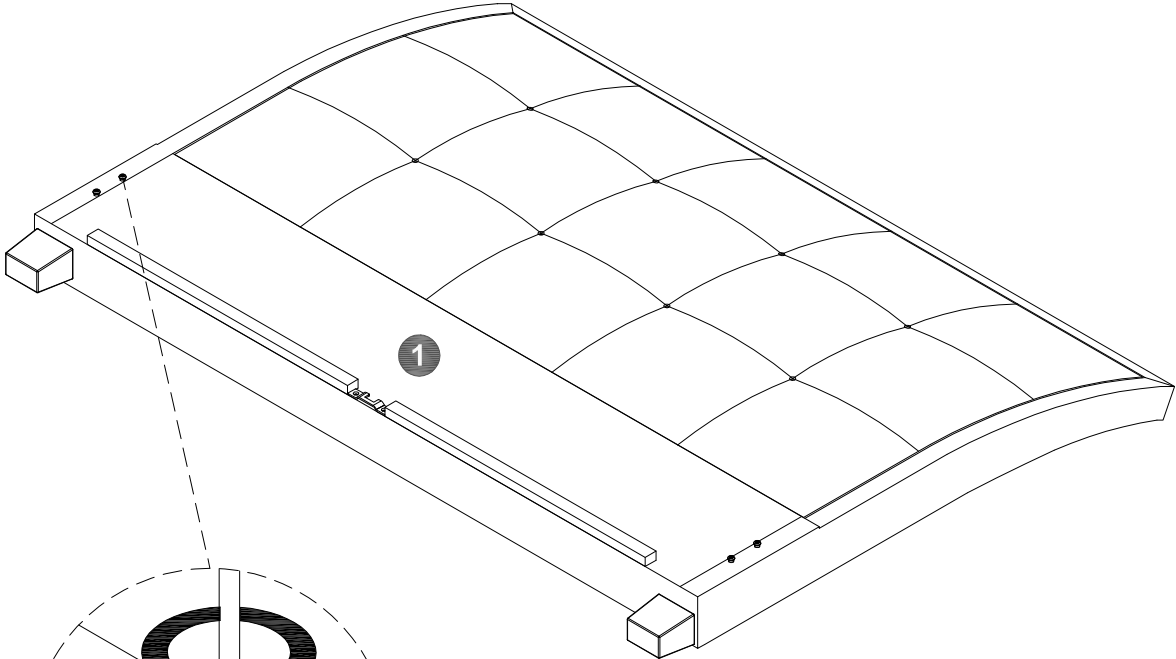
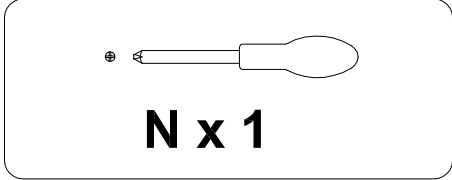


Special Note : For Leg Assembly

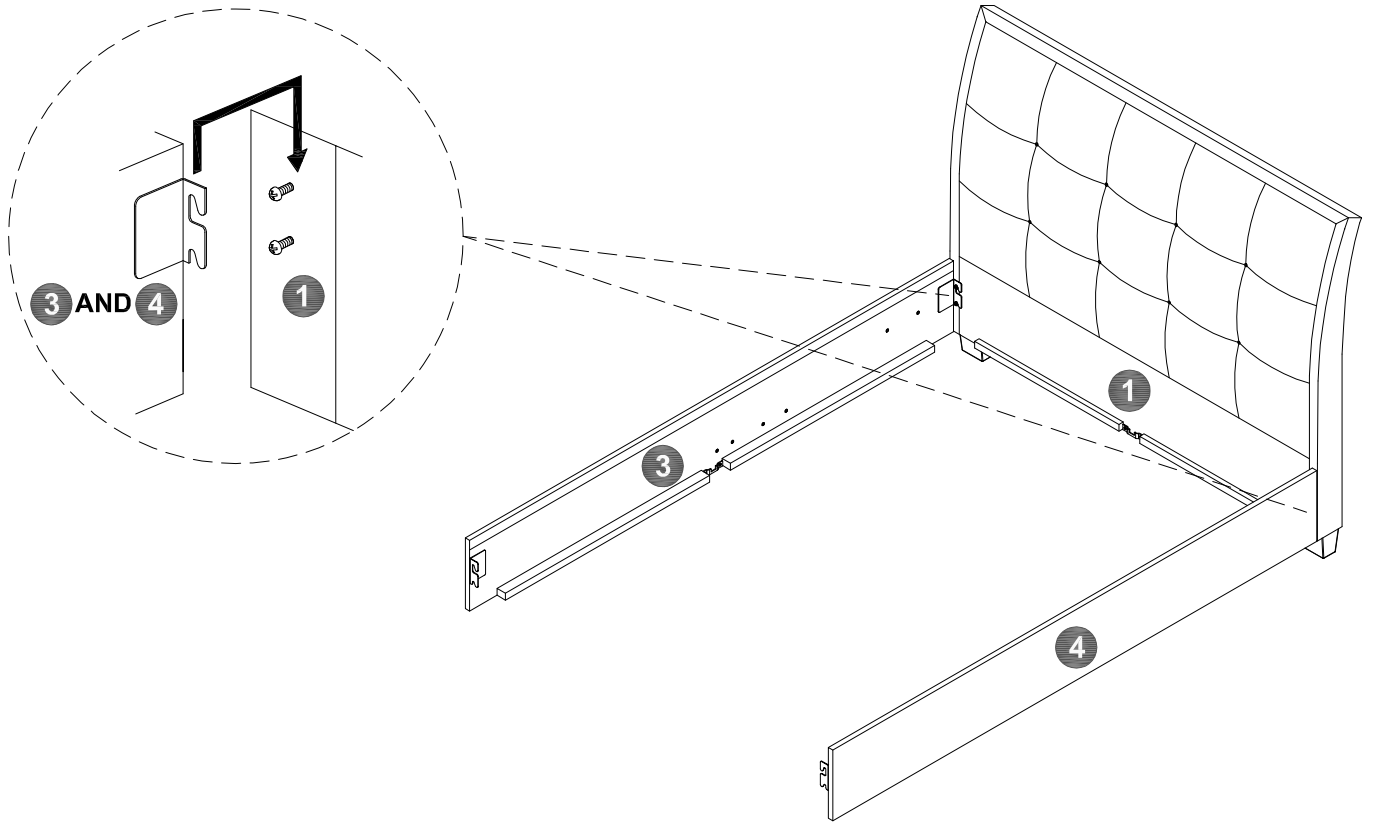
Please make sure the bolt thread is correctly matched with the metal nut. Do not over tighten, as this may cross the threads causing damage to the product.



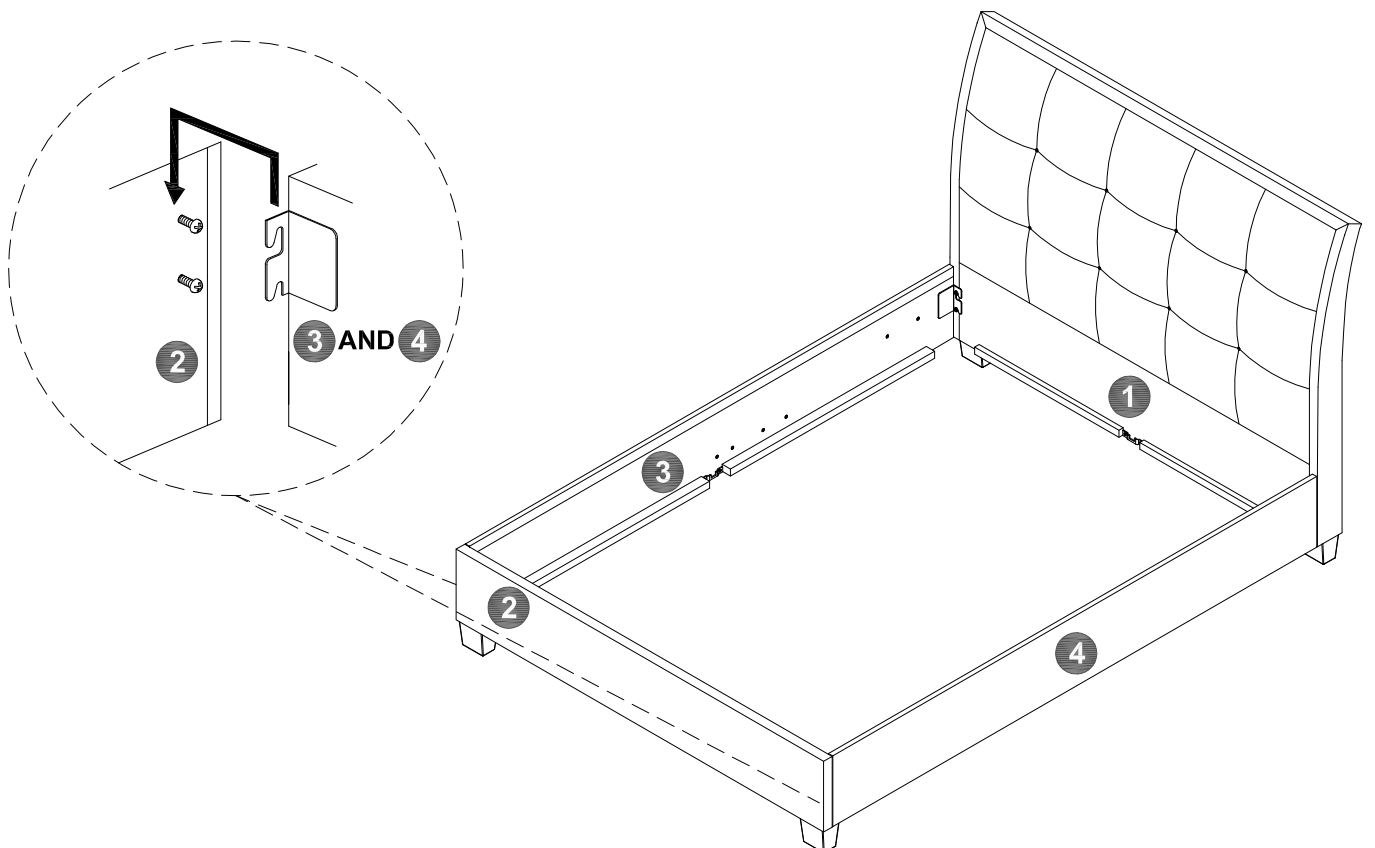
STEP 2



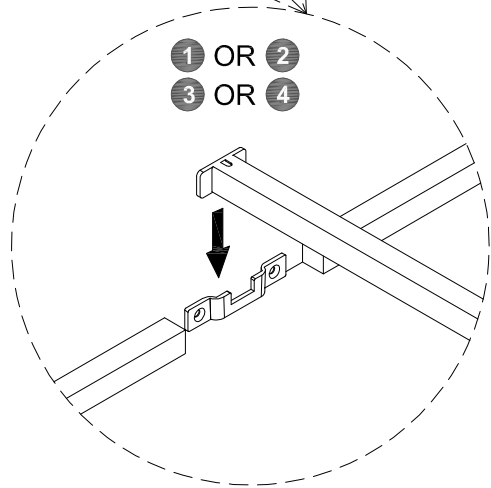
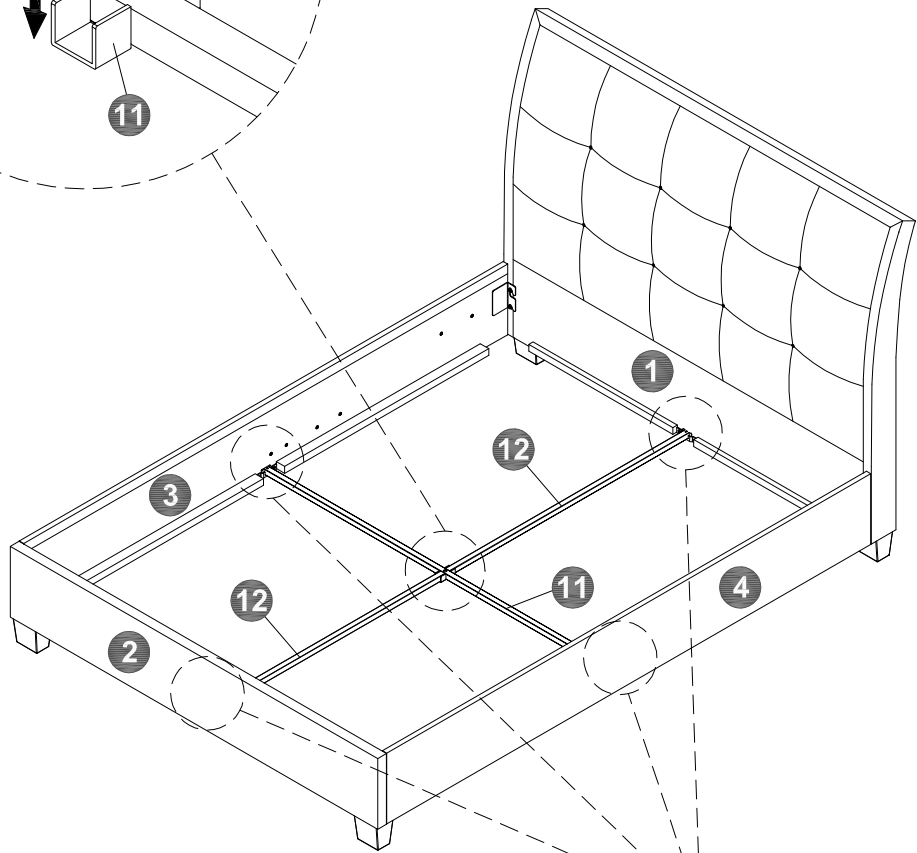
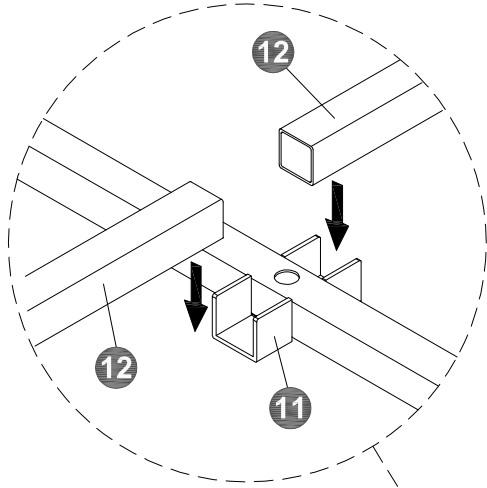
STEP 3



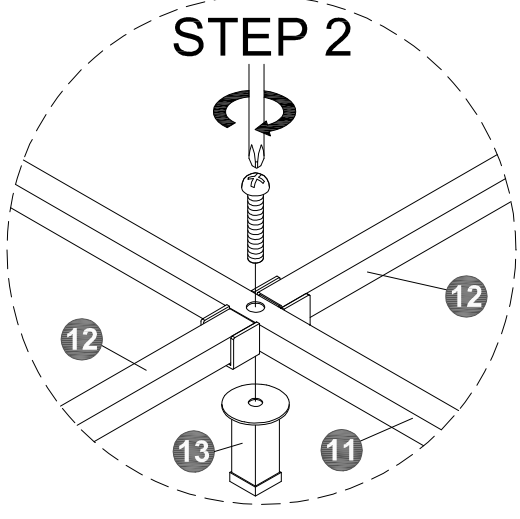
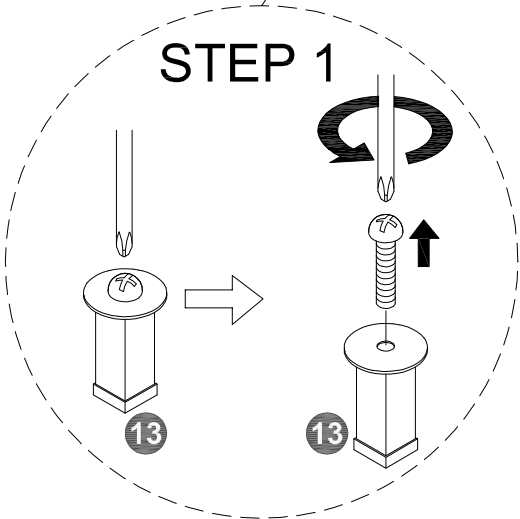
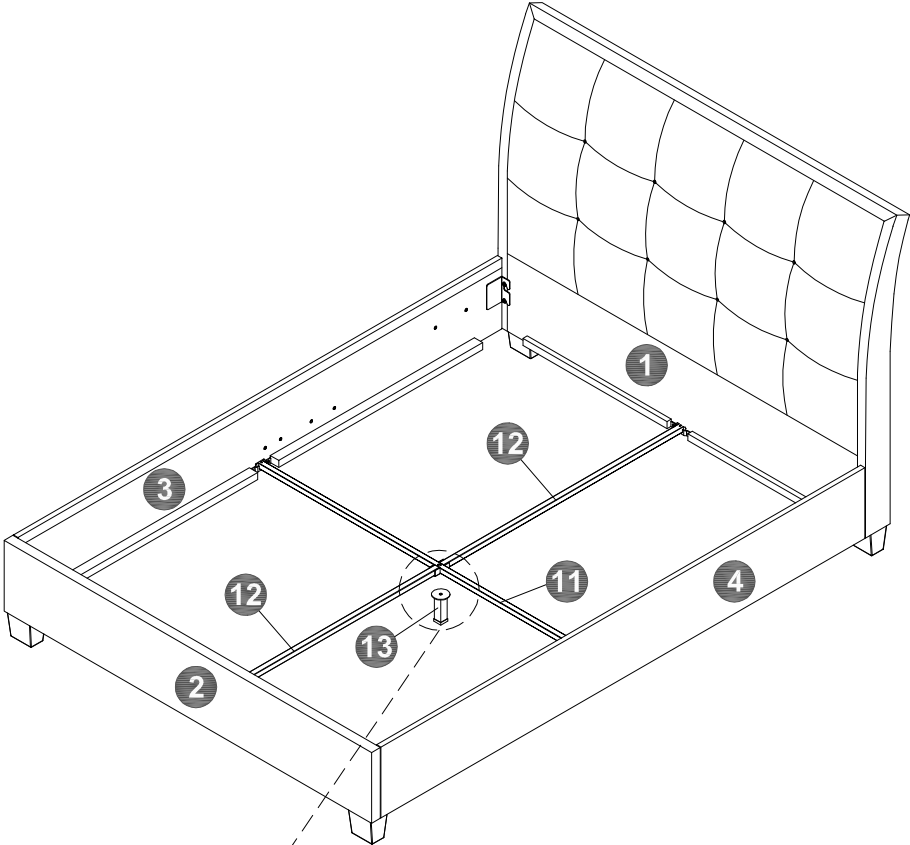
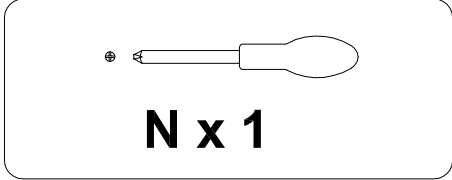
STEP 4



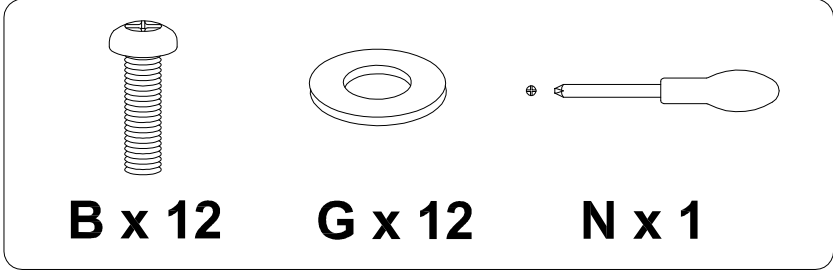
STEP 5



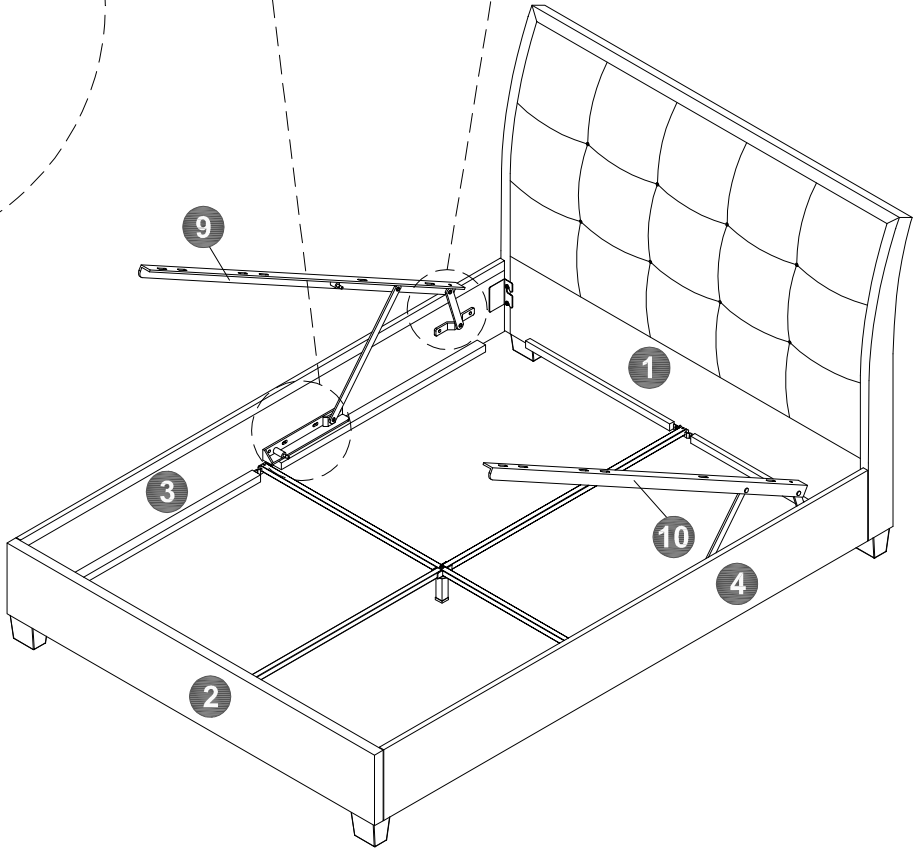
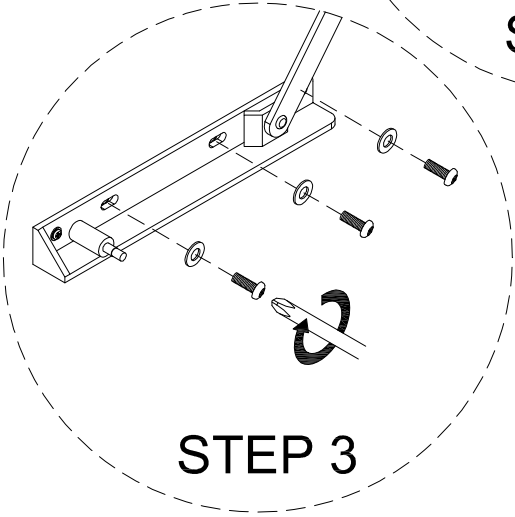
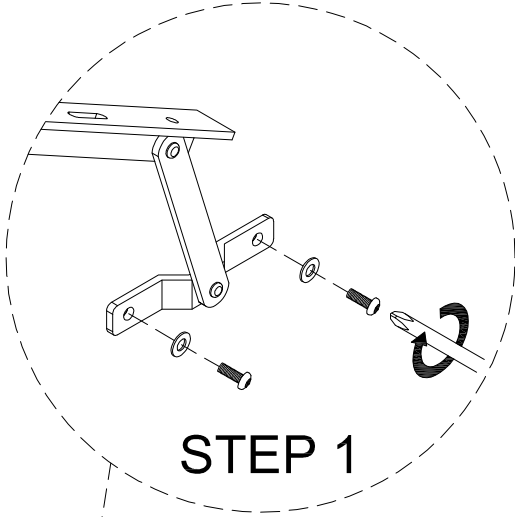
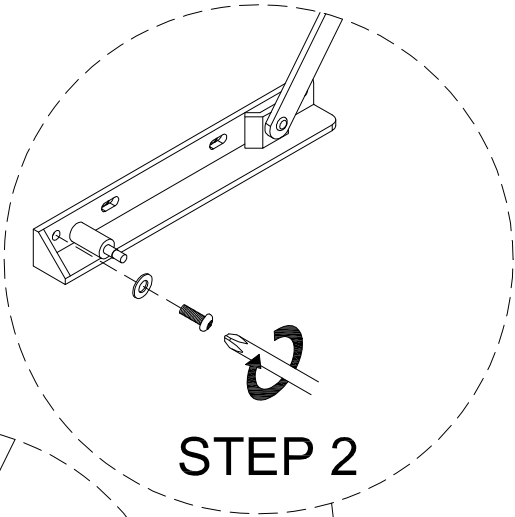
STEP 6



STEP 7



B x 12 **G x 12** **N x 1**



STEP 8



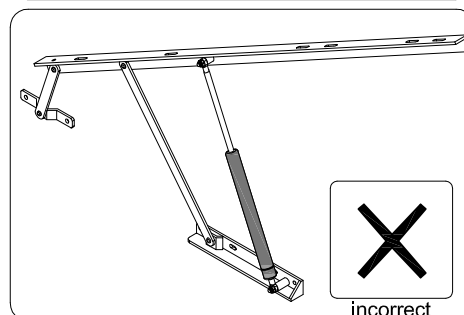
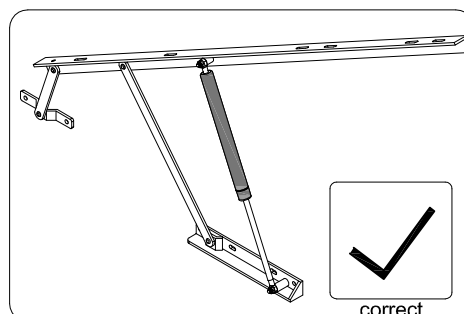
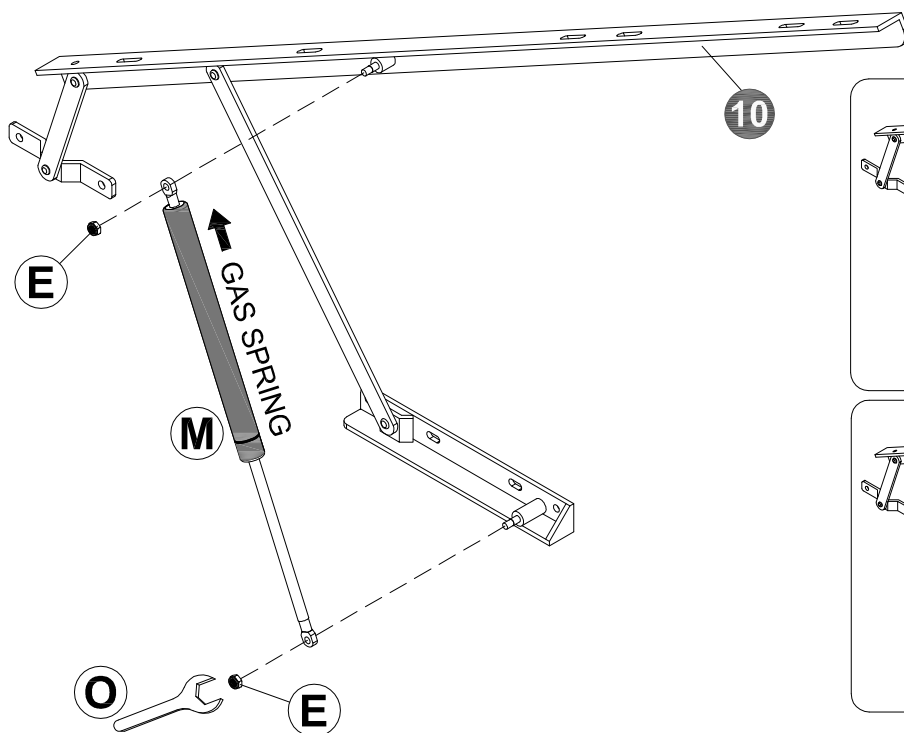
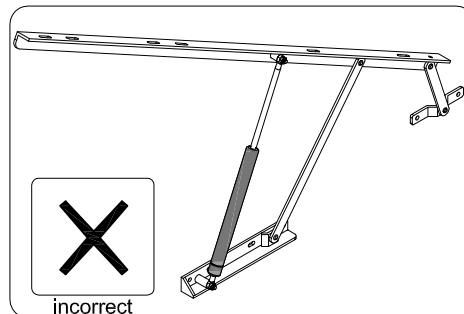
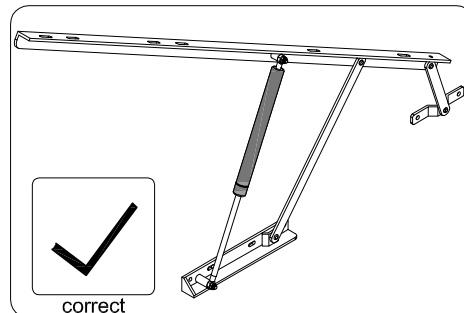
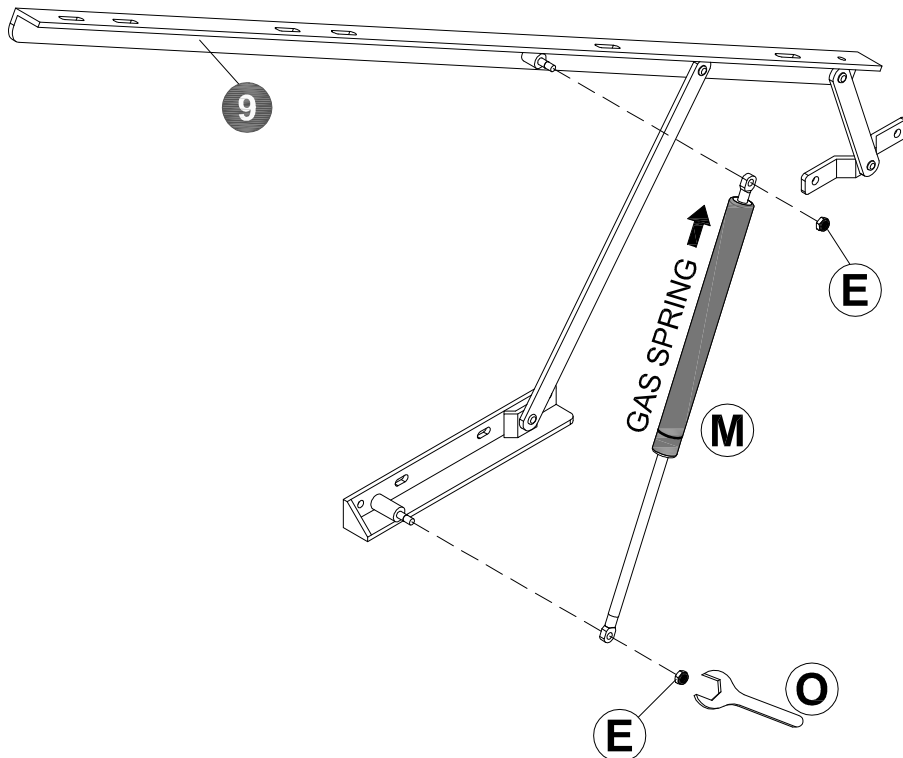
E x 4



M x 2



O x 1



Fully tighten all nuts after attaching the pistons.

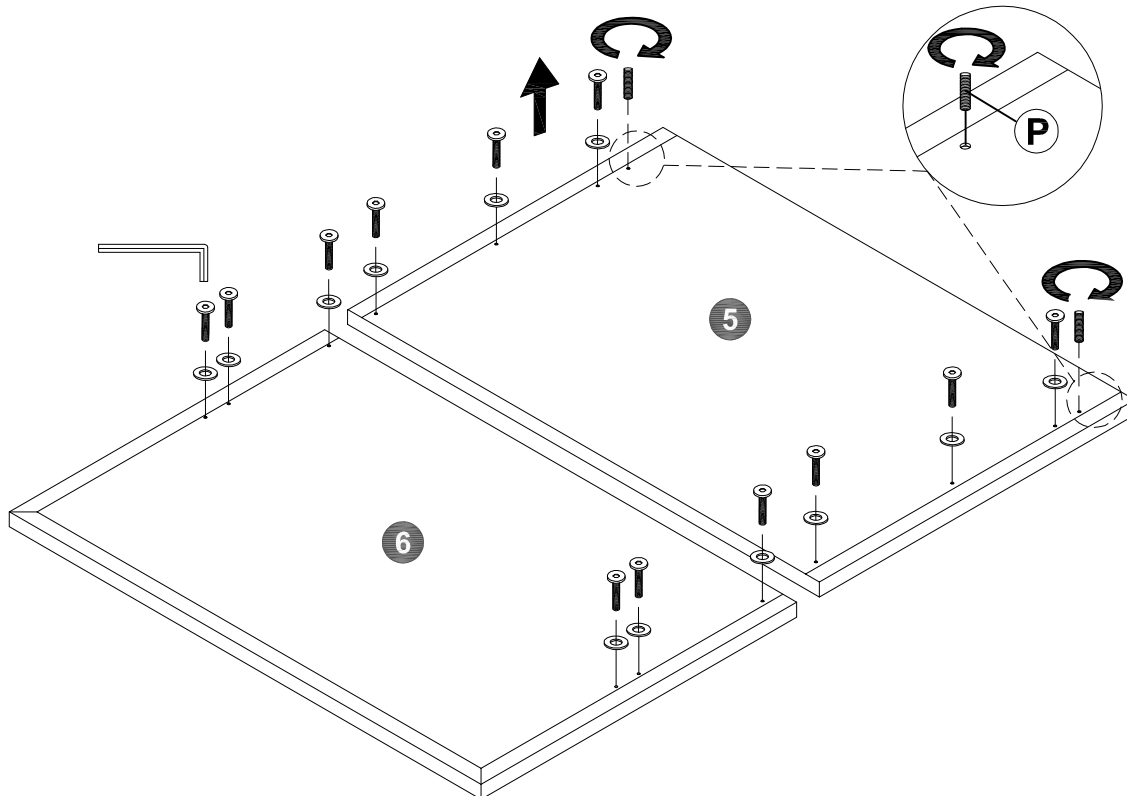
STEP 9



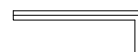
L x 1



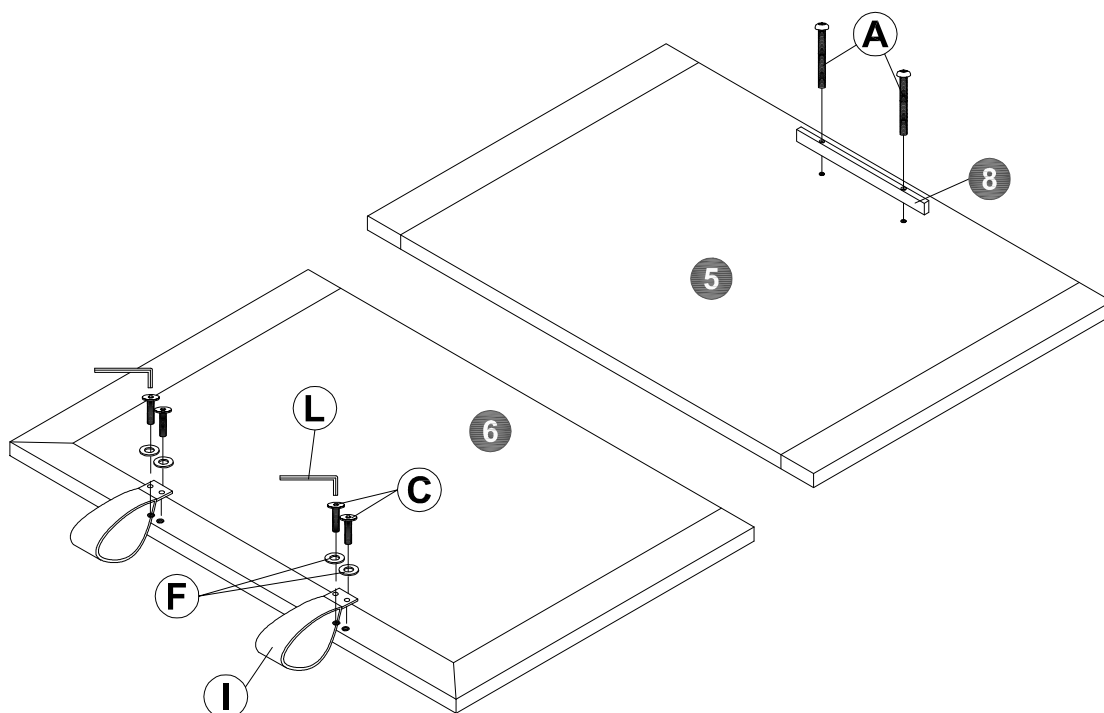
P x 2



STEP 10



A x 2 C x 4 F x 4 I x 2 N x 1 L x 1

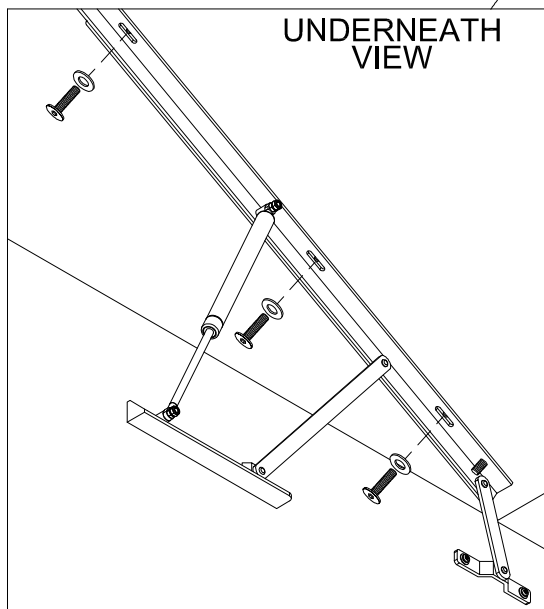
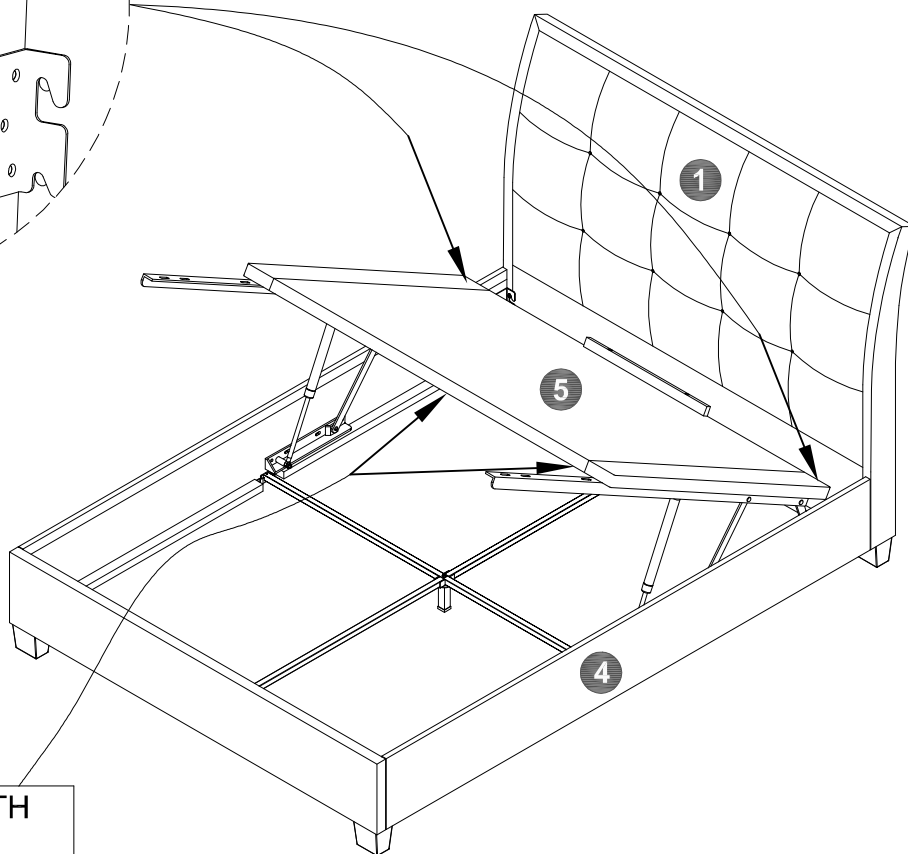
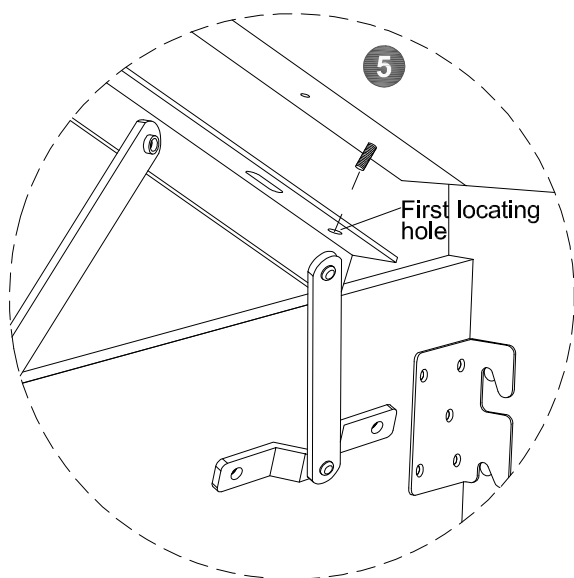


STEP 11



L x 1

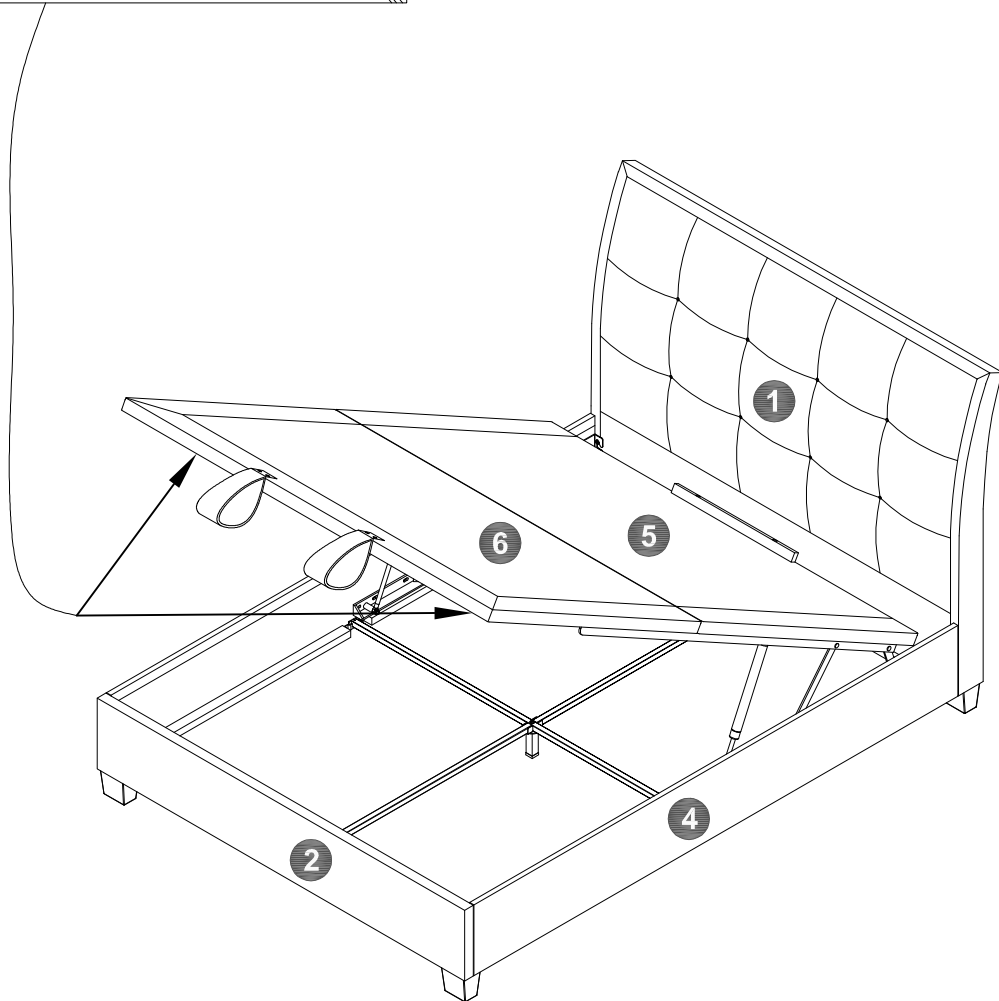
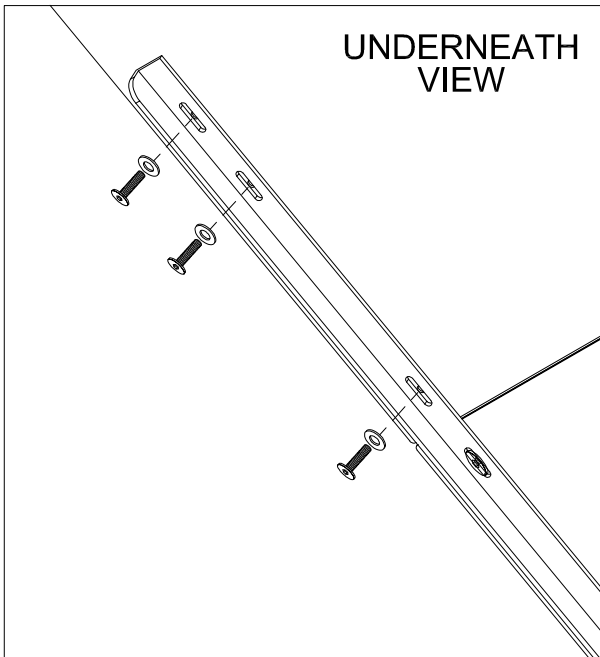
1. First put the base (5) on the top of mechanism (9) & (10) and fix with the pre-installed stud bolt (P) to the first locating hole to prevent the lift base from dropping down.
2. Use Allen head screw and flat washer to fully tighten all others screws as shown.



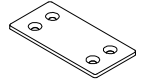
STEP 12



L x 1

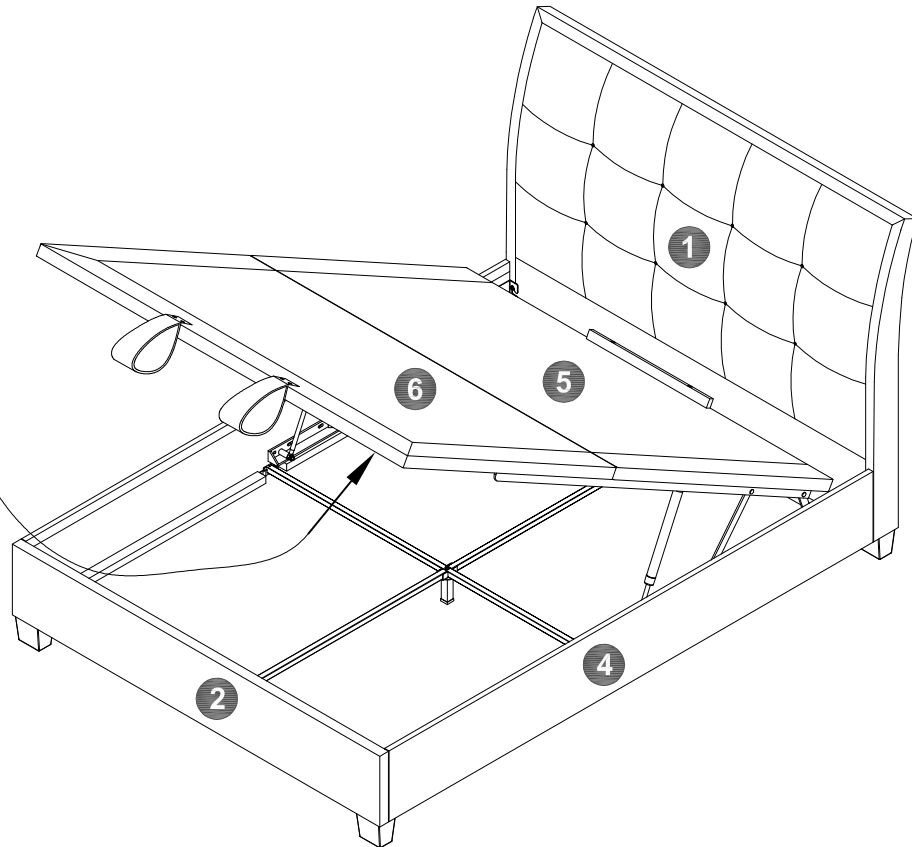
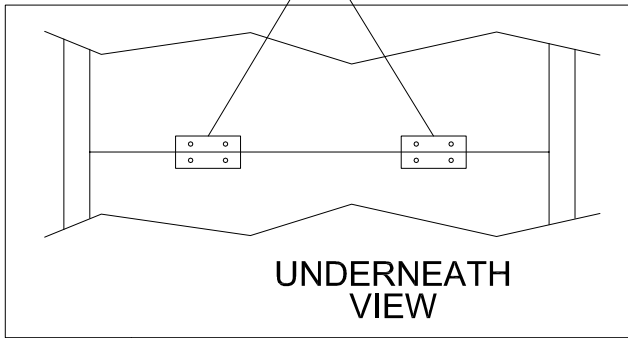
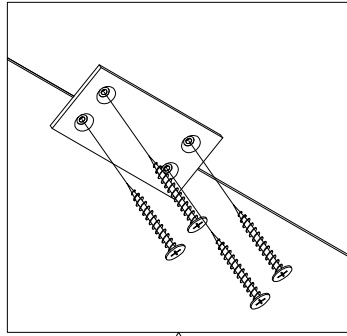


STEP 13

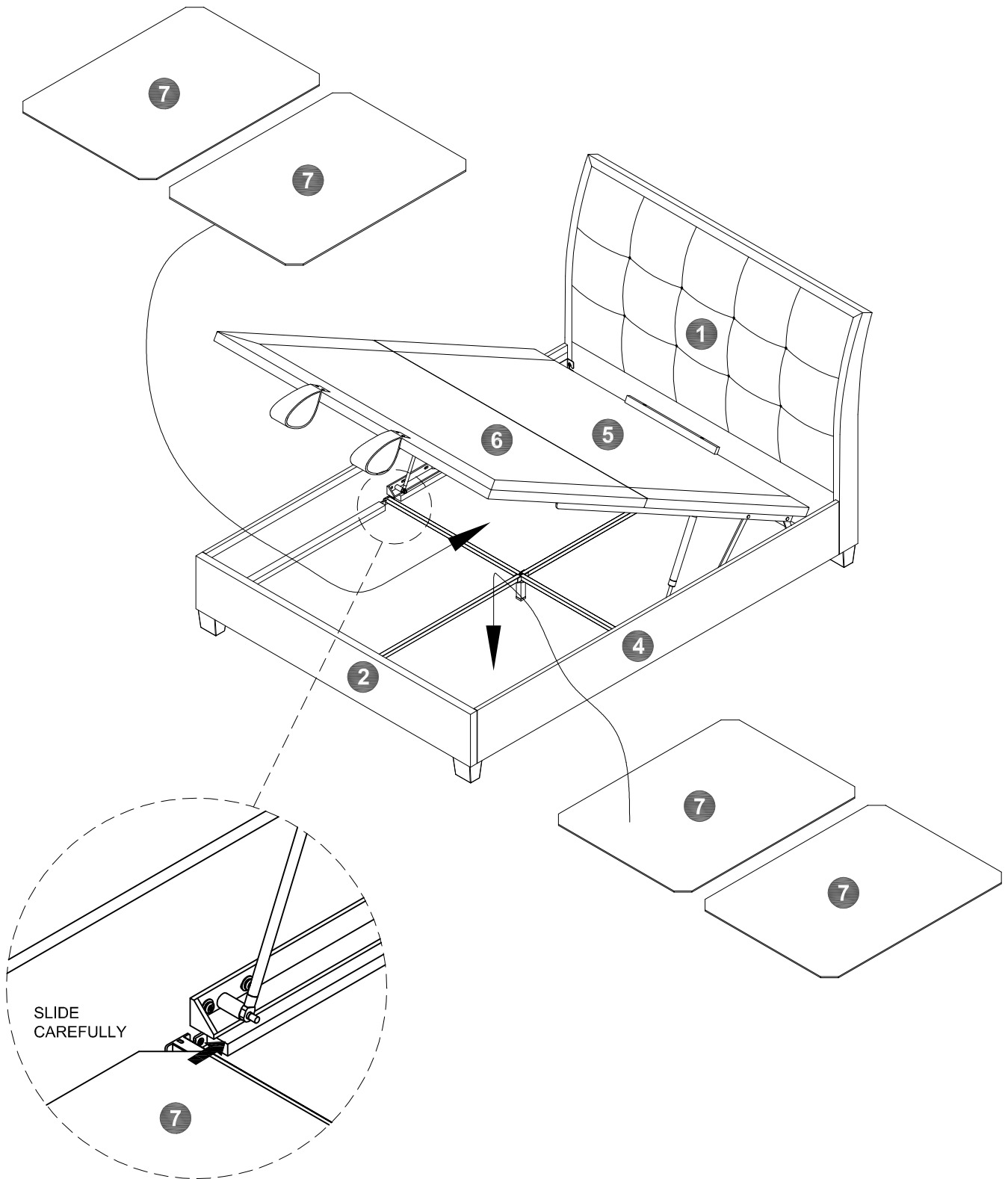


D x 8

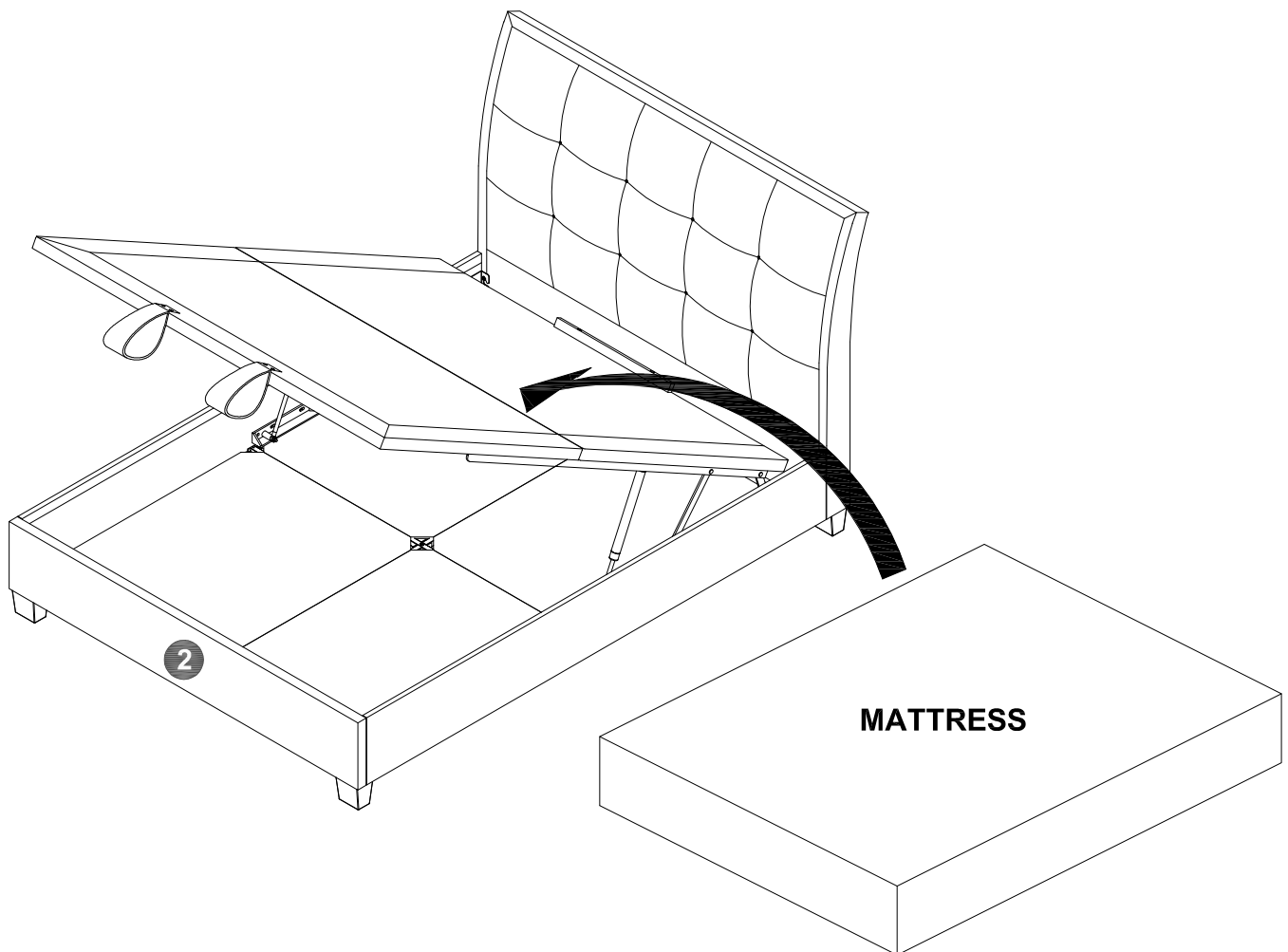
H x 2



STEP 14



STEP 15



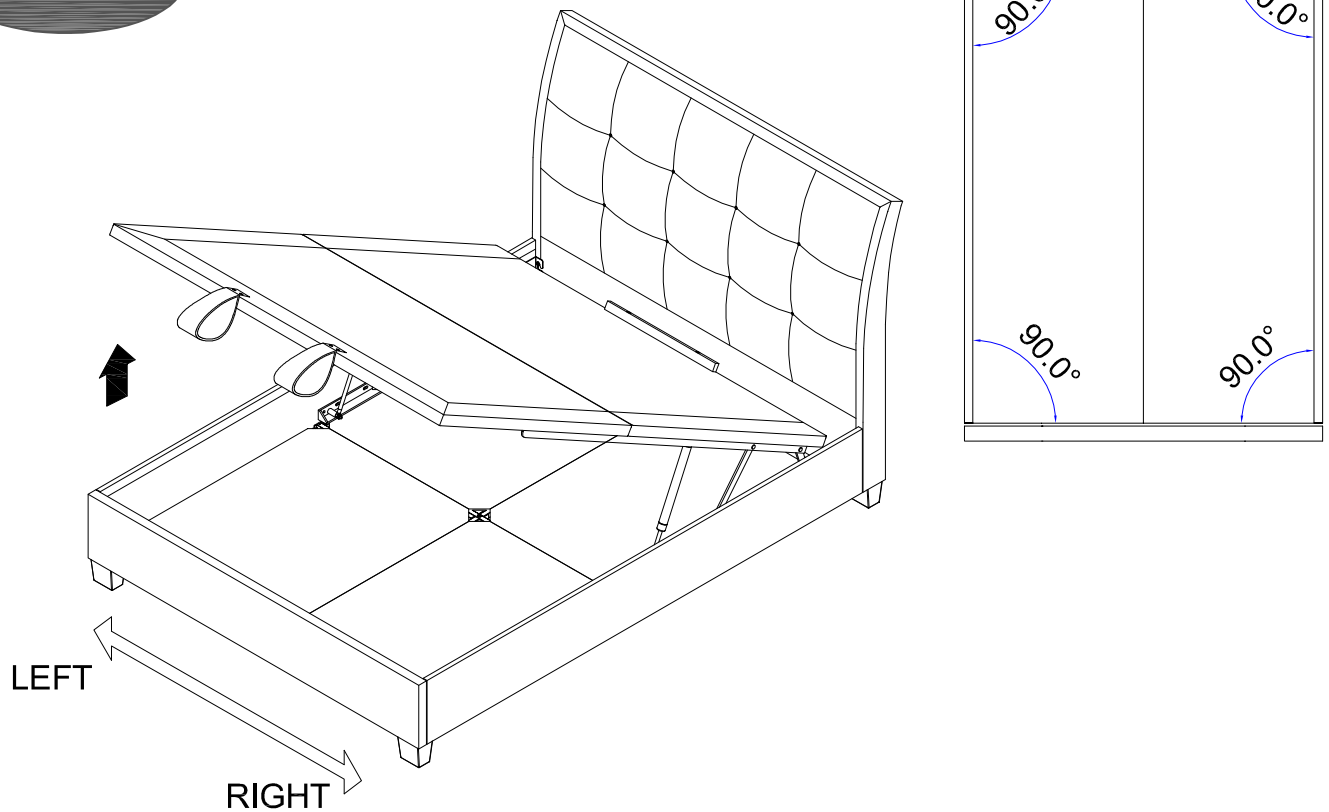
A. This Lift Mechanism provides assistance with the lift of the mattress fitted to the base - it does not lift the mattress for you. The system has been designed to effectively lift the base system fitted with a variety of mattress weights and combinations of depth. The combination of mattress weight and depth determines the degree of assistance provided by the mechanism.

B. Following installation of the mechanism lift / pull the base up and down a few times to free off the system. The gas cylinders fitted to the system may be stiff when first used or if the system has not been operated for a period of time. The mattress must be fitted to the base.

C. Use the strap handles to lift up the mattress base using two hands - Pull the mattress base down using two hands equally spaced from the centre of the mattress base. **DO NOT** pull down on one side of the base only as this is likely to damage the base system with potential failure of the mattress base system and lift mechanism. **Do not operate the lift up mechanism without the mattress fitted to the base.**

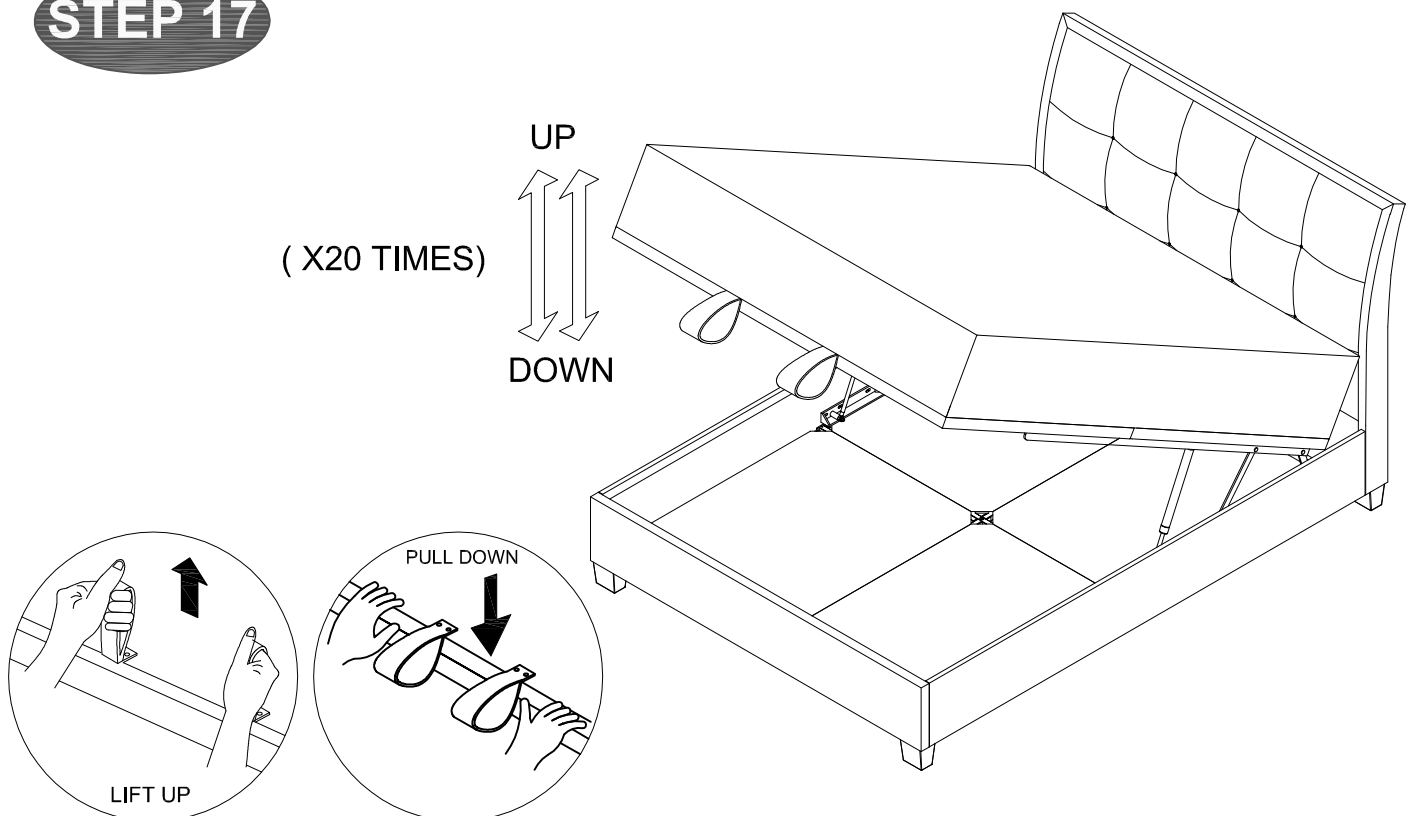
CAUTION : Do not allow children to operate the lift Mechanism.
Do not allow children near the lift base when operating the Mechanism.
Do not allow children in the area of the internal storage base.
Keep hands clear of the mechanism when operating the base system.
Do not stand inside the bed / on the internal storage base.
Do not overload the internal storage base.

STEP 16



~ Make sure the Bed Frame 4 side angles are at 90 degrees before you closing the lift base.

STEP 17



~ The mattress must be fitted to the base. (Do not operate the lift up mechanism without the mattress fitted to the base.)

~ Lift Up and Down the Lift-Up Frame with Mattress at least 20 times before use.

Please dispose of all packaging safely.

General Care & Maintenance

Wipe clean with a slightly damp cloth.
Avoid the use of all household cleaners and abrasives.

Periodically check all screw & fixings to ensure they are secure.

When moving your product, carefully lift into place. Never drag or push the product across the floor as this will cause damage to the joints. If the product is used on hard flooring, such as wood or laminated floor, you must place some protection under the legs to stop the product from moving. If this is not adhered to, it could result in failure to the product that will invalidate the warranty.

For more information on cleaning and product care visit:
<https://www.happybeds.co.uk/help-and-advice>

Notes

In the unlikely event that you have problems putting this product together or have damaged or missing parts, please contact us by visiting:
<https://www.happybeds.co.uk/customer-service>