



Assembly Instructions

Important before assembly:

Read these instructions carefully before assembling or using the product.

Please check the contents of the boxes before attempting to assemble this product. The instructions will have a checklist of parts and fittings.

Assemble the product as close to its intended final location/room as possible.

Health & Safety:

This product or some parts of this product will be heavy. Please use an assistant when lifting.

Please keep small parts out of reach of children.

Always use on a level, even surface.

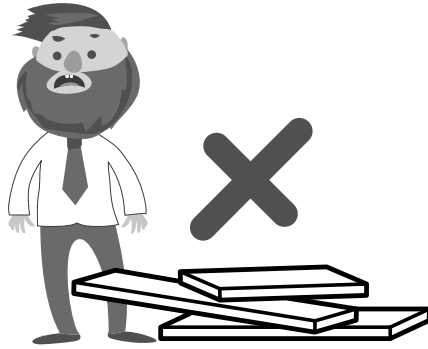
DO NOT jump on the product or any of its parts.

DO NOT use this product if any parts are missing, damaged or worn.

DO NOT use this product unless all fixings are secured.

Further instructions are on the following pages.

Please keep these instructions for future reference.



This product or some parts of this product will be heavy. Please use an assistant when lifting.



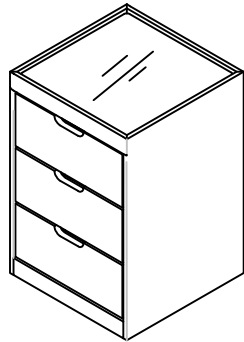
Never drag or push the pieces across a hard or stone floor as this will cause damage to the joints. Use a carpet or a rug for extra care.



If you have problems assembling or have damaged or missing pieces, please contact our customer services (details at the back of these instructions)

CAUTION :

DO NOT UNPACK THE GOODS USING A " KNIFE "



Assembly Instructions

1 person required

Please retain this leaflet for future reference.

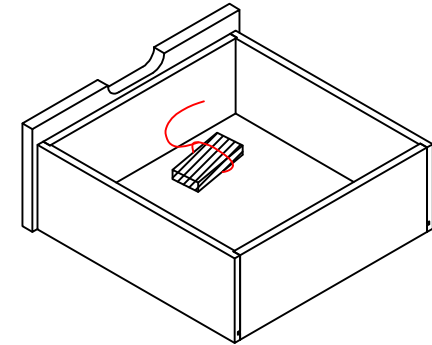
Hardware List

A		WEBBING BELT	1
B		SCREW #8 X 19mm	1
C		FLAT WASHER M6 X 16mm	2

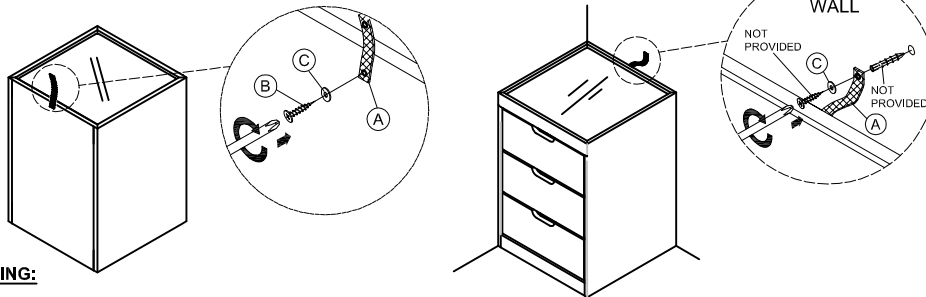
1- EQUIPMENT CHECK

Carefully unpack and unwrap all items from the carton box.

- (A) Pull the drawer out. Then take out the hardware inside the drawer.



2- ASSEMBLE THE SAFETY STRAP



WARNING:

To prevent your furniture from **tilting forward** and possibly causing property damage or personal injury it is recommended that you **Securely attach the safety strap provided to your wall using appropriate fixings**

IMPORTANT:

- **DO NOT** place toys or other child appealing items on top of this furniture
- **AVOID** fully opening all drawers at the same time
- **DO NOT ALLOW** children to climb onto the drawers

CAUTION:

For your safety when attaching the anti-tilt fixings:

- Check for any electrical wires or plumbing inside the wall before drilling any holes (if you are unsure please seek professional advice from a qualified tradesman)
- Walls are constructed from different materials eg: Masonry (solid brick) or plaster board lined cavity walls (hollow).

It is important that you use the appropriate wall fixings for your wall type.

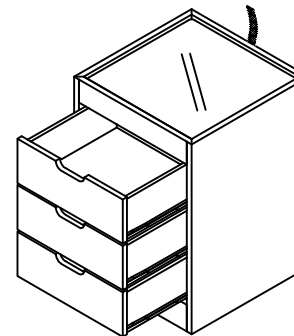
(Your local hardware store will have the necessary drills and fixings and can offer advice if needed)

FINAL TOUCH

Your bedside table is now ready.
Look after it well & enjoy.

Please note the following instructions.

1. DO NOT USE A KNIFE TO UNPACK THE GOODS.
2. DO NOT DRAG THE BED SIDE TABLE ACROSS THE FLOOR WHEN POSITIONING OR MOVING WHILST CLEANING.
3. DO NOT DROP ANY HEAVY ITEMS DIRECTLY ON THE TOP OF THE GLASS.
4. KEEP OUT OF DIRECT SUNLIGHT AND DAMP CONDITIONS IN ORDER TO KEEP THE FABRIC AND CONSTRUCTION IN GOOD CONDITION.
5. CLEAN WITH A WARM DAMP CLOTH, PLEASE DO NOT USE ABRASIVE CHEMICALS OR BLEACH AS THIS MAY DAMAGE THE PRODUCT.
6. TIGHTEN ALL SCREWS AT REGULAR INTERVALS.
7. ENJOY YOUR PRODUCT.



Important!

This furniture must be fixed to the wall with the wall fastener. Different wall materials require different types of fixings. Use fixings suitable for walls in your home (not included). If you are uncertain about what type of screws or fittings to use, please contact your hardware store.

DO NOT USE ANY POWER TOOLS AS THIS MAY DAMAGE THE PRODUCT AND WILL INVALIDATE ANY CLAIM

Please dispose of all packaging safely.

General Care & Maintenance

Wipe clean with a slightly damp cloth.
Avoid the use of all household cleaners and abrasives.

Periodically check all screw & fixings to ensure they are secure.

When moving your product, carefully lift into place. Never drag or push the product across the floor as this will cause damage to the joints. If the product is used on hard flooring, such as wood or laminated floor, you must place some protection under the legs to stop the product from moving. If this is not adhered to, it could result in failure to the product that will invalidate the warranty.

For more information on cleaning and product care visit:
<https://www.happybeds.co.uk/help-and-advice>

Notes

In the unlikely event that you have problems putting this product together or have damaged or missing parts, please contact us by visiting:
<https://www.happybeds.co.uk/customer-service>