

Assembly Instructions

Important before assembly:

Read these instructions carefully before assembling or using the product.

Please check the contents of the boxes before attempting to assemble this product. The instructions will have a checklist of parts and fittings.

Assemble the product as close to its intended final location/room as possible.

Health & Safety:

This product or some parts of this product will be heavy. Please use an assistant when lifting.

Please keep small parts out of reach of children.

Always use on a level, even surface.

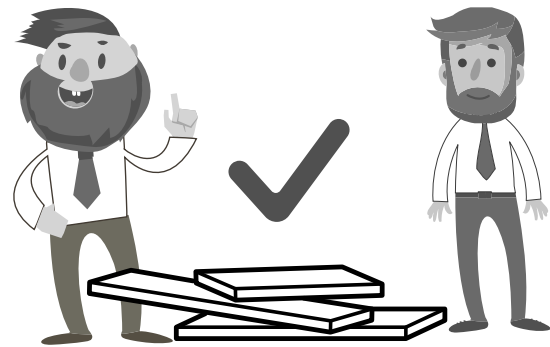
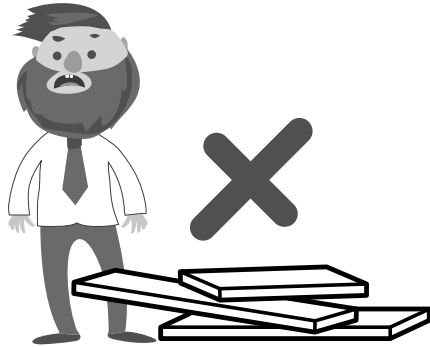
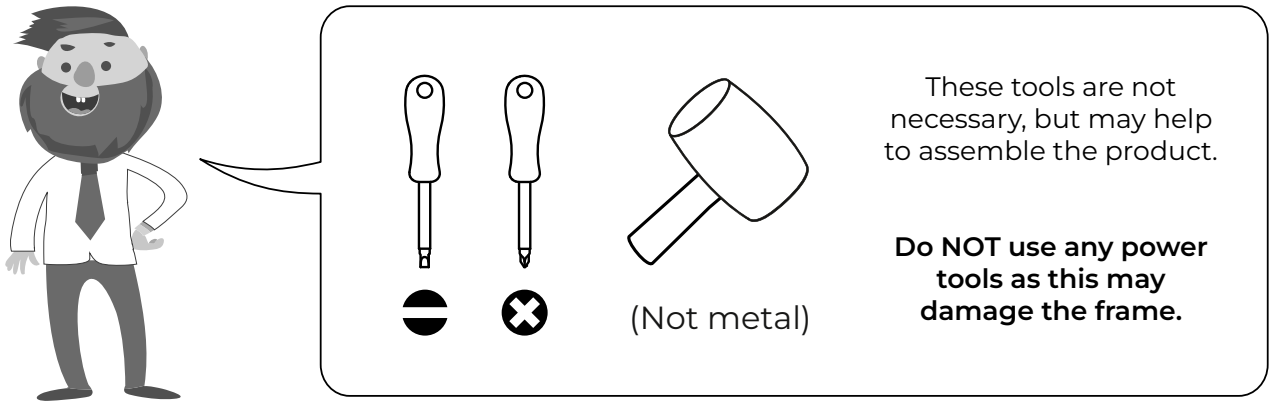
DO NOT jump on the product or any of its parts.

DO NOT use this product if any parts are missing, damaged or worn.

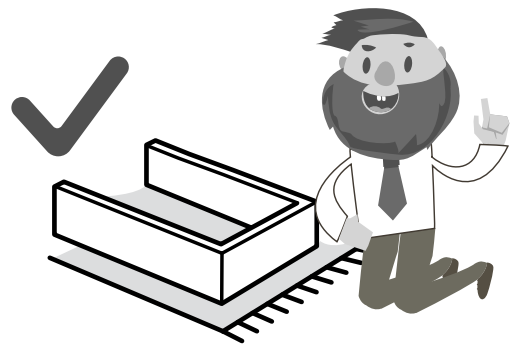
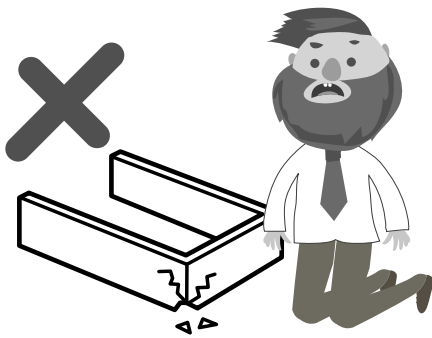
DO NOT use this product unless all fixings are secured.

Further instructions are on the following pages.

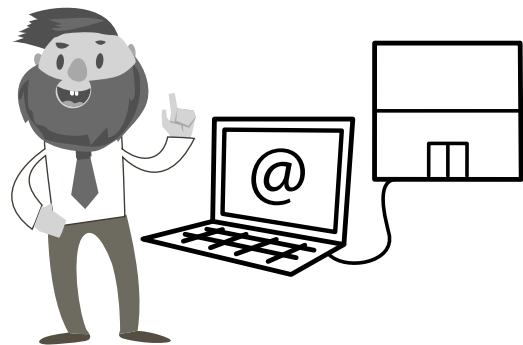
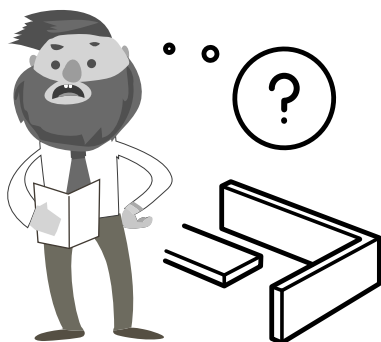
Please keep these instructions for future reference.



This product or some parts of this product will be heavy. Please use an assistant when lifting.



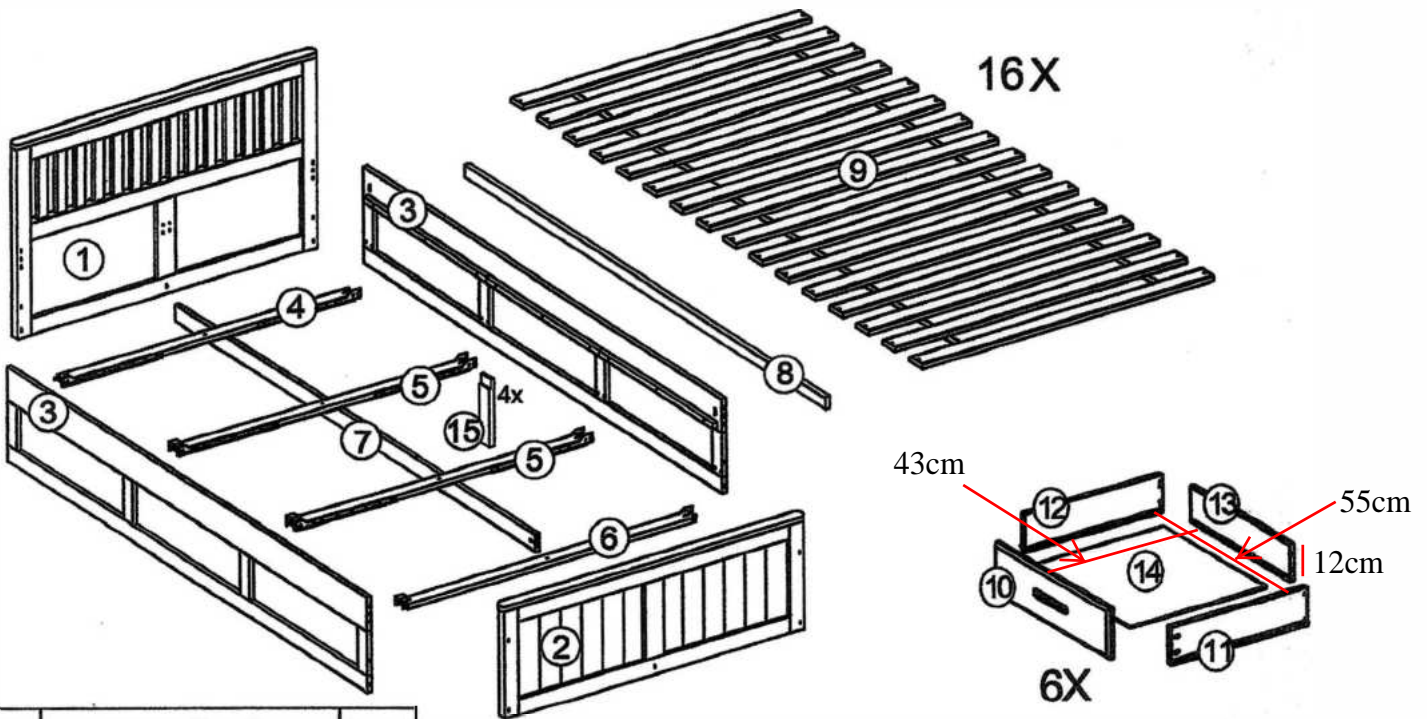
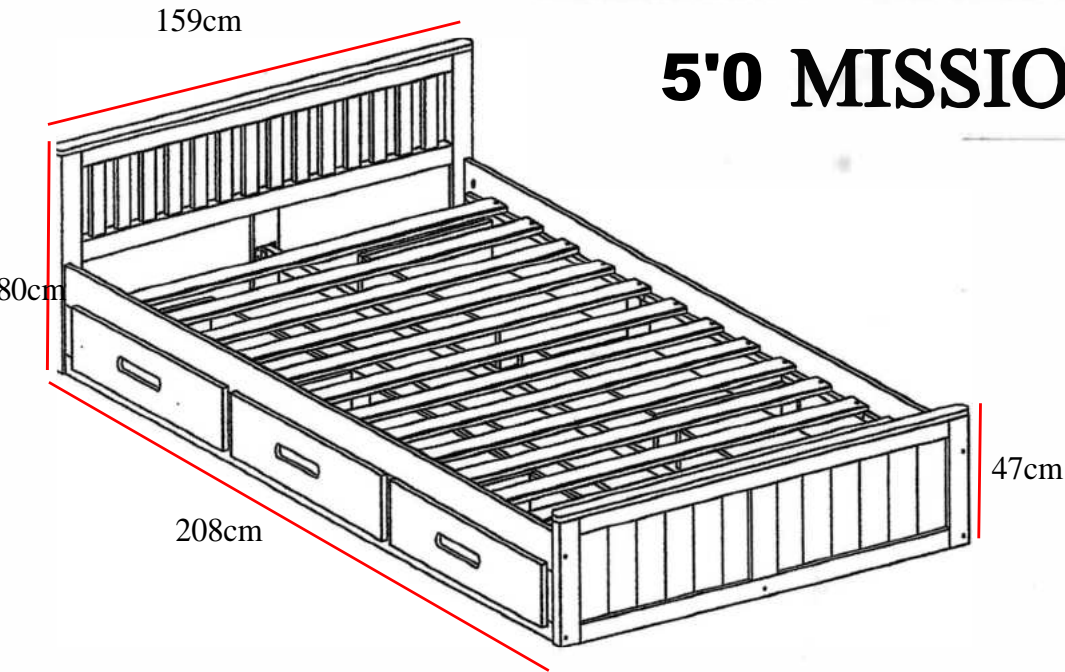
Never drag or push the pieces across a hard or stone floor as this will cause damage to the joints. Use a carpet or a rug for extra care.



If you have problems assembling or have damaged or missing pieces, please contact our customer services (details at the back of these instructions)

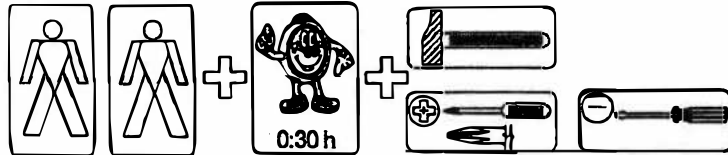
ASSEMBLY INSTRUCTIONS

5'0 MISSION BED



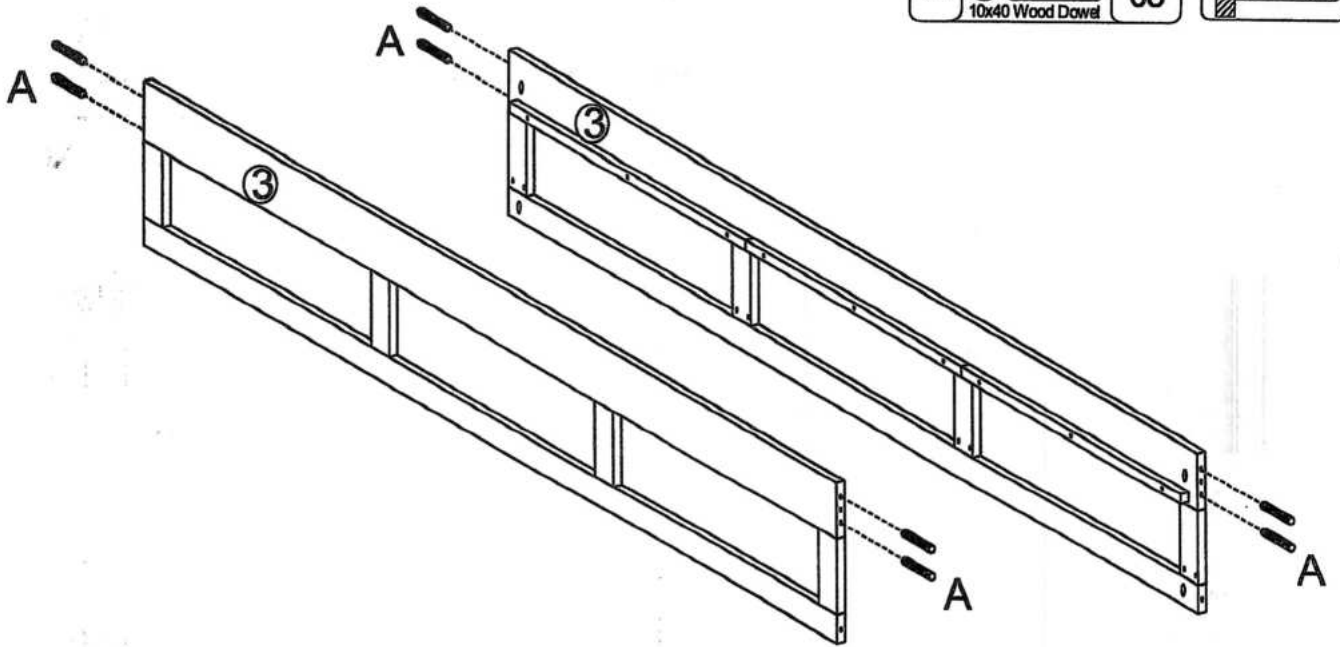
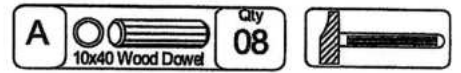
ITEM	DESCRIPTION	QTY
1	HEADBOARD	01
2	FOOTBOARD	01
3	FRONT	02
4	LEFT DRAWER RUNNER	01
5	DRAWER RUNNERS	02
6	RIGHT DRAWER RUNNER	01
7	CROSSBEAM	01
8	SUPPORT SLATS	01
9	SLATS	13
10	DRAWER FRONT	06
11	R/H DRAWER SIDE	06
12	L/H DRAWER SIDE	06
13	DRAWER BACK	06
14	DRAWER BASE	06
15	CENTRAL FOOT	04

Identifying the Hardware

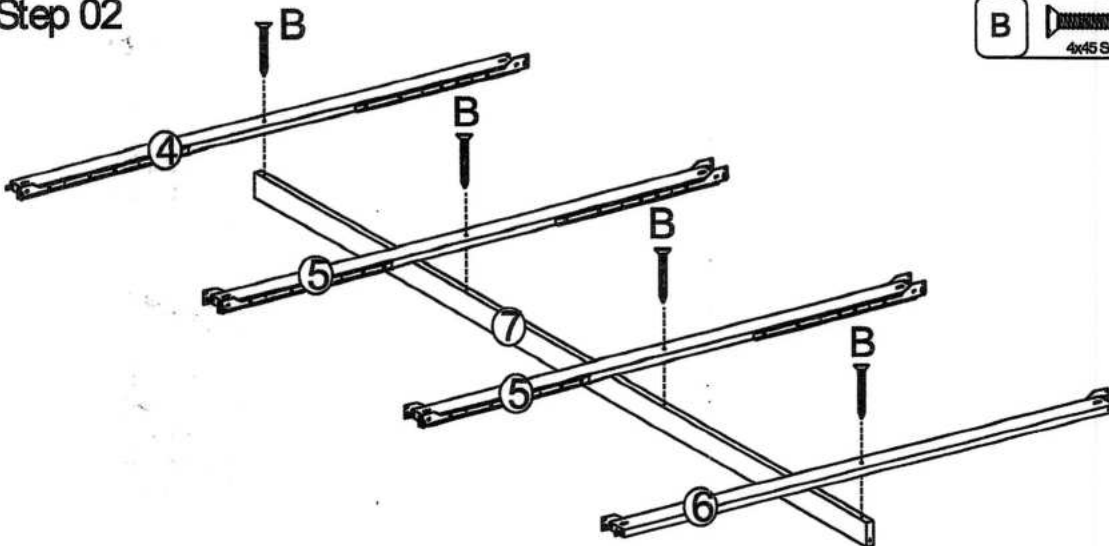
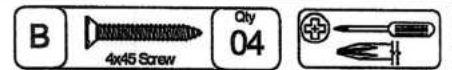


A	Qty 08	B	Qty 04	C	Qty 56
D	Qty 12	E	Qty 08	F	
G	Qty 02	H	Qty 01	M	Qty 08
J	Qty 48	L	Qty 02	N	Qty 08

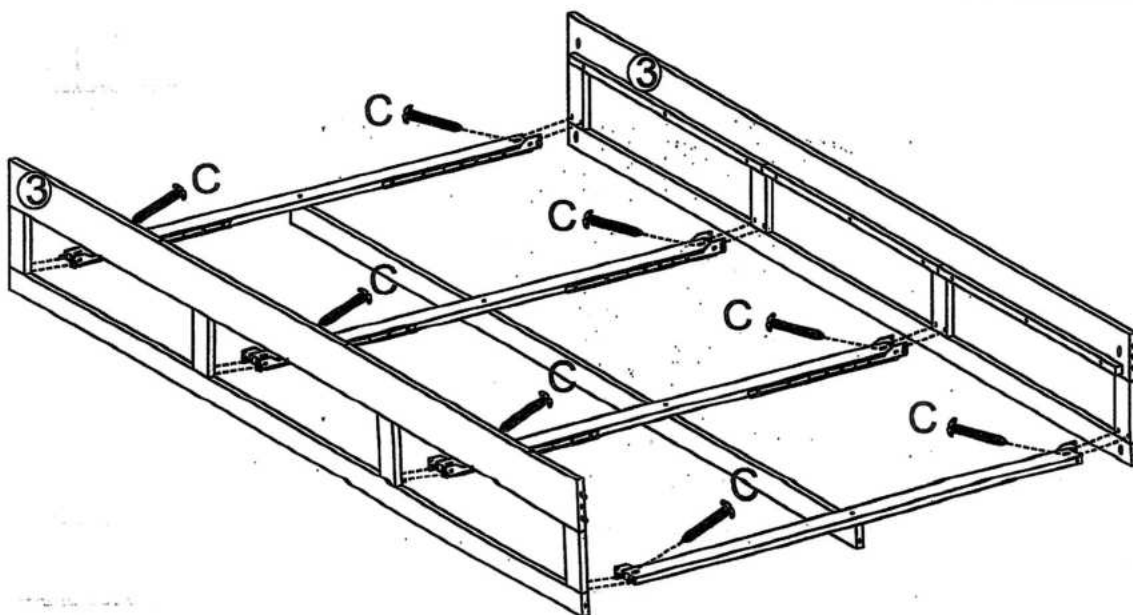
Step 01



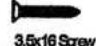


Step 02

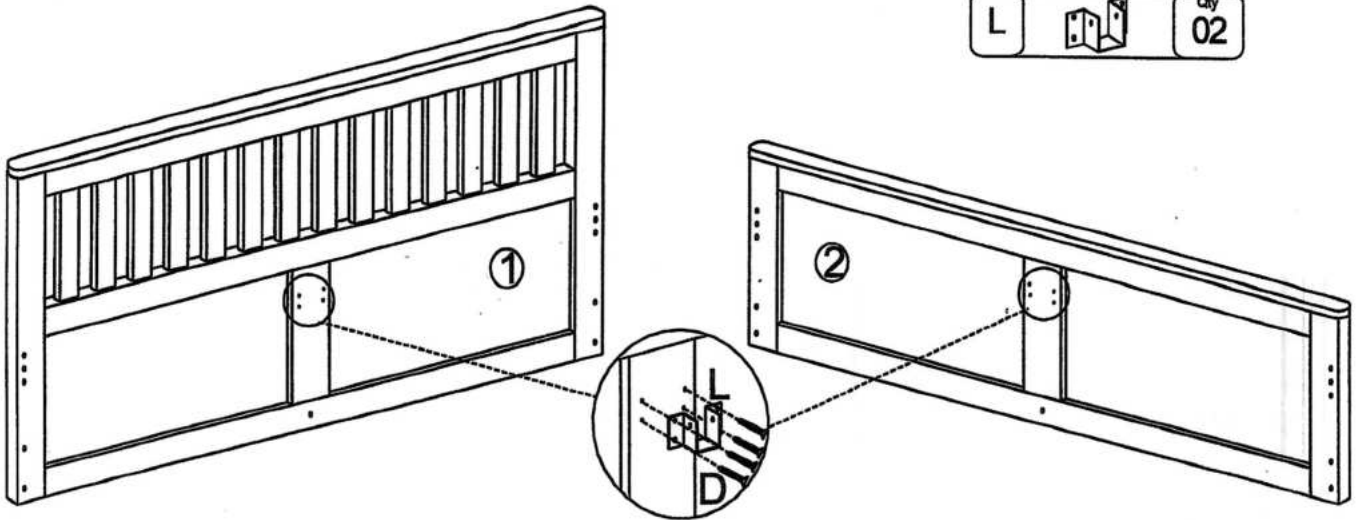


Step 03



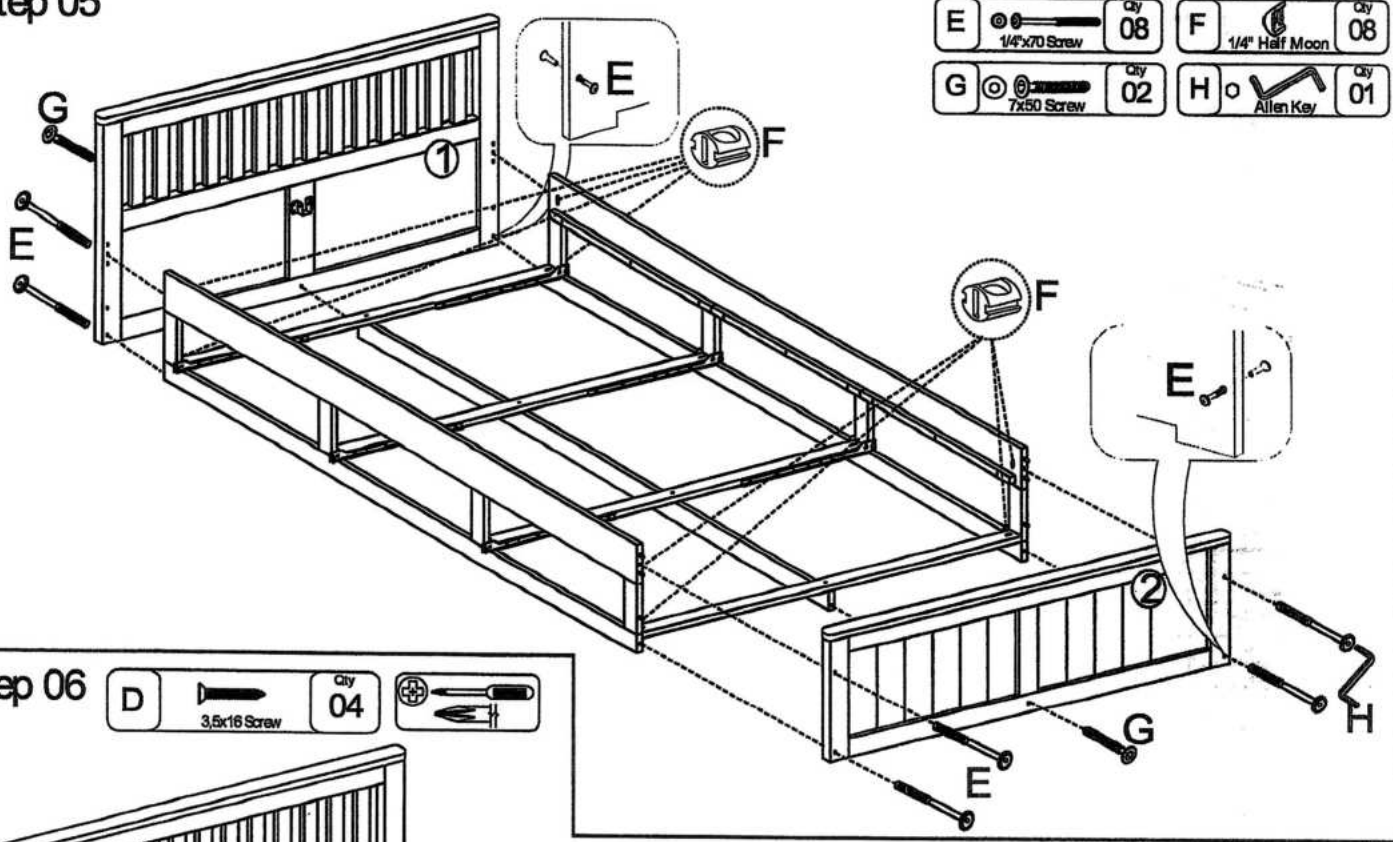
Step 04

- | | | | |
|---|---|--------|---|
| D |  | Qty 08 |  |
| L |  | Qty 02 | |

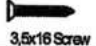



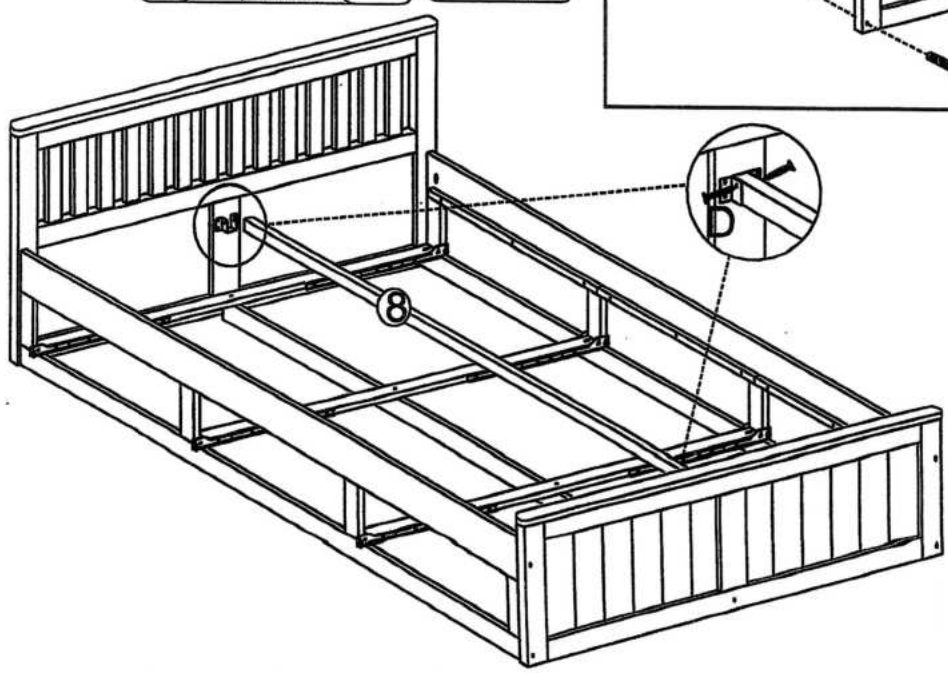
Step 05

- | | | | | | |
|---|---|--------|---|--|--------|
| E |  | Qty 08 | F |  | Qty 08 |
| G |  | Qty 02 | H |  | Qty 01 |



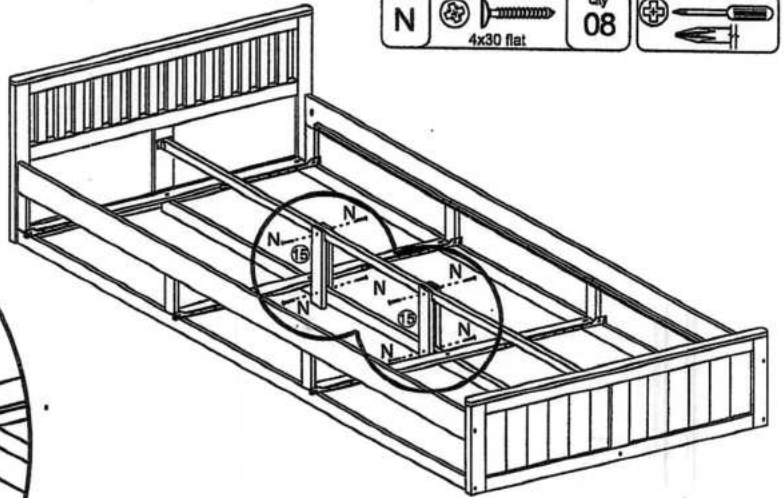
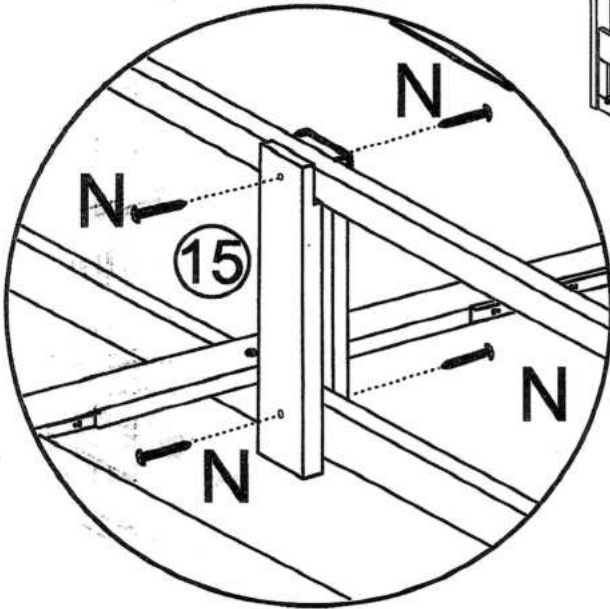
Step 06

- | | | | |
|---|---|--------|---|
| D |  | Qty 04 |  |
|---|---|--------|---|



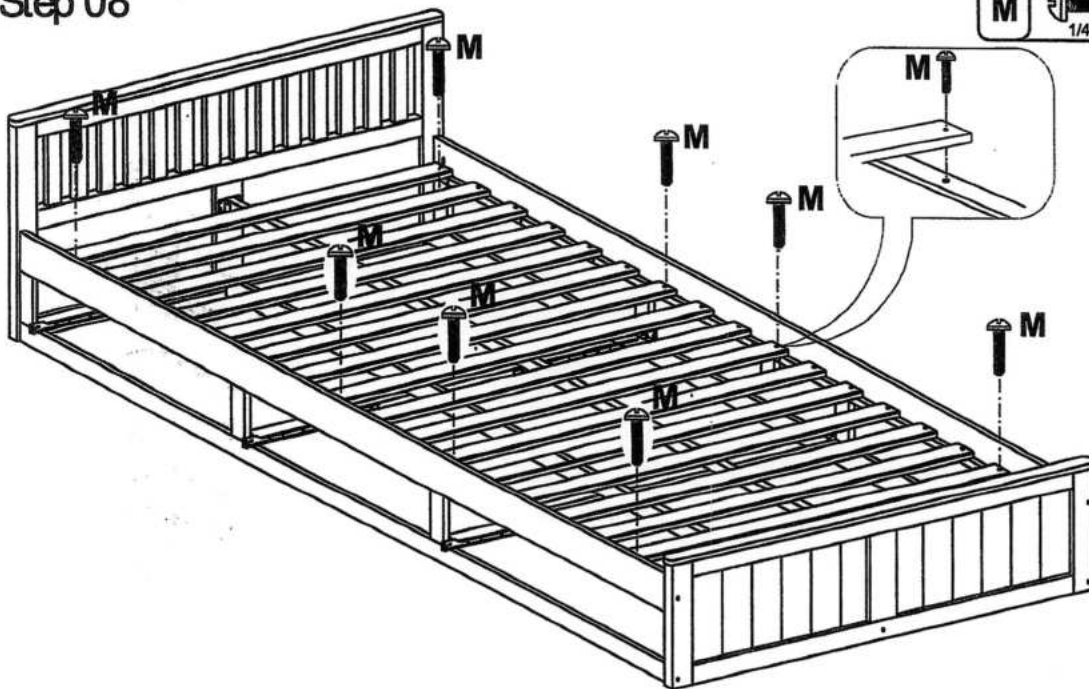
Step 07

N detail



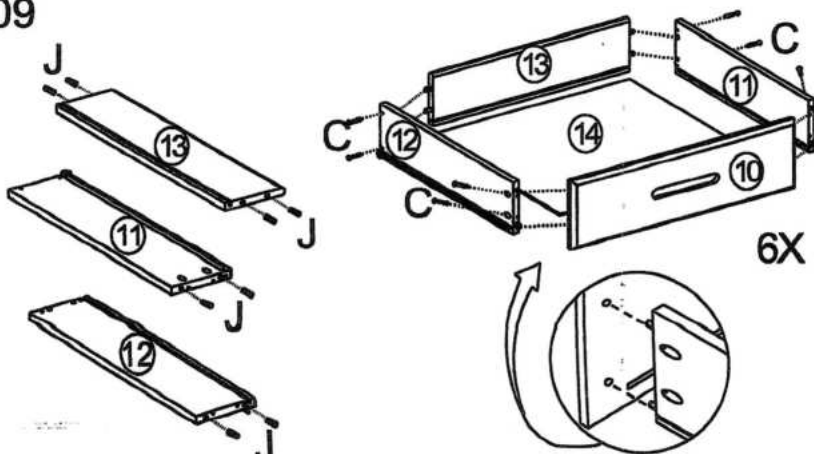
N		Qty 08	
	4x30 flat		

Step 08



M		Qty 08	
	1/4x25 Screw		

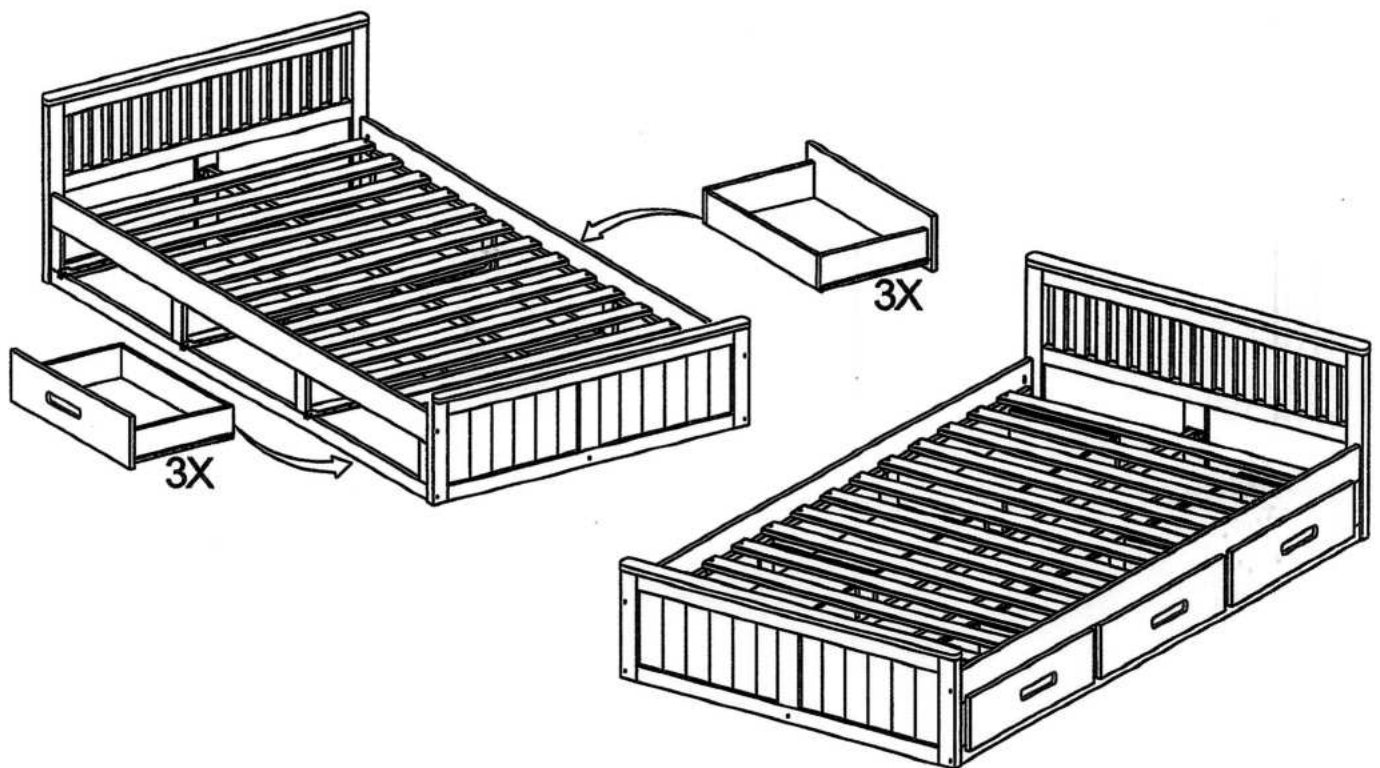
Step 09



C		Qty 48	
	4x30 Screw		

J		Qty 48	
	8x30 Wood Dowel		

Step 10



Content of Vol. 1/2 - Slats, Headboard, Footboard, Drawer Runners, Drawer Base.

Content of Vol. 2/2 - Front, Back Panel, Drawer Sides, Drawer Back, Crossbeam, Drawer Front, Support Slats, Central Foot, Hardware.




WHEN FULLY ASSEMBLED PLEASE
ENSURE ALL SCREWS ARE TIGHTENED.

Please dispose of all packaging safely.

General Care & Maintenance

Wipe clean with a slightly damp cloth.
Avoid the use of all household cleaners and abrasives.

Periodically check all screw & fixings to ensure they are secure.

When moving your product, carefully lift into place. Never drag or push the product across the floor as this will cause damage to the joints. If the product is used on hard flooring, such as wood or laminated floor, you must place some protection under the legs to stop the product from moving. If this is not adhered to, it could result in failure to the product that will invalidate the warranty.

For more information on cleaning and product care visit:
<https://www.happybeds.co.uk/help-and-advice>

Notes

In the unlikely event that you have problems putting this product together or have damaged or missing parts, please contact us by visiting:
<https://www.happybeds.co.uk/customer-service>