



Assembly Instructions

Monaco Electric Ottoman TV Bed



Important before assembly:

Read these instructions carefully before assembling or using the product.

Please check the contents of the boxes before attempting to assemble this product. The instructions will have a checklist of parts and fittings.

It would be sensible to lay a rug or a carpet on the floor where you intend to assemble the product, to avoid scratches and damaging the product or the floor.

Assemble the product as close to its intended final location/room as possible.

Do NOT use any power tools as this may damage the frame.

Health & Safety:

This product or some parts of this product will be heavy. Please use an assistant when lifting.

Please keep small parts out of reach of children.

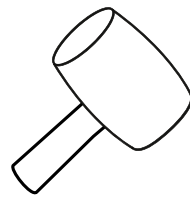
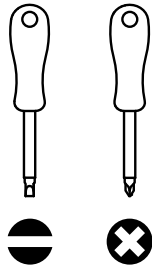
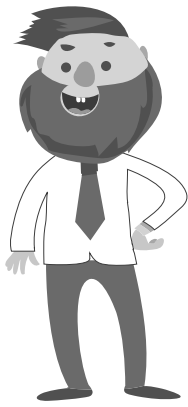
Always use on a level, even surface.

DO NOT jump on the product or any of its parts.

DO NOT use this product if any parts are missing, damaged or worn.

DO NOT use this product unless all fixings are secured.

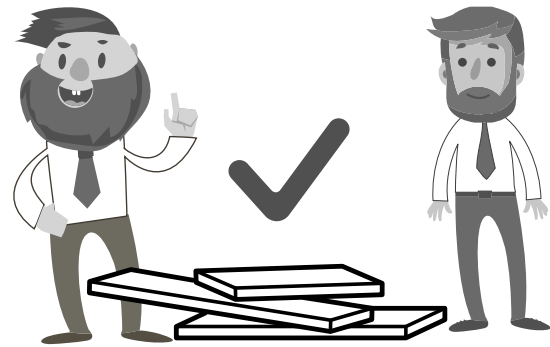
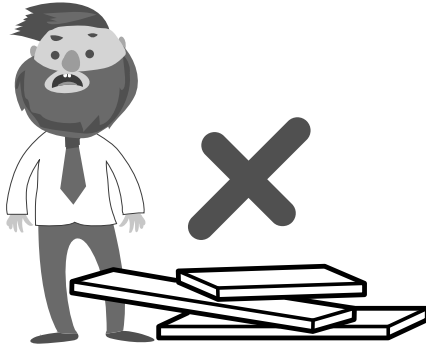
Please keep these instructions for future reference.



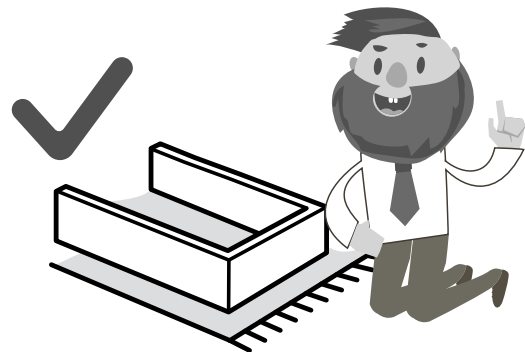
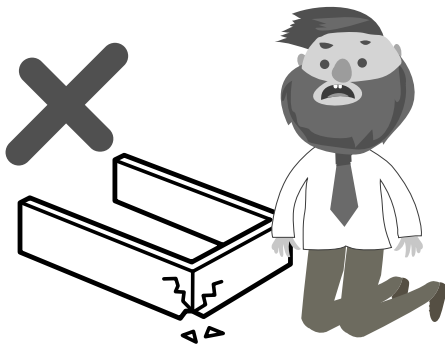
(Not metal)

These tools are not necessary, but may help to assemble certain parts of the product.

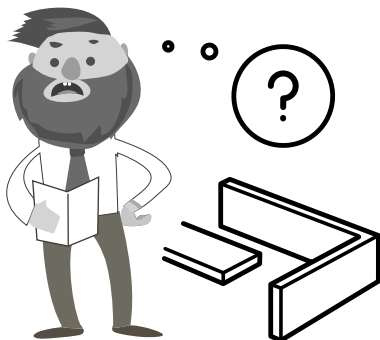
Do NOT use any power tools as this may damage the frame.



This product or some parts of this product will be heavy. Please use an assistant when lifting.



Never drag or push the pieces across a hard or stone floor as this will cause damage to the joints. Use a carpet or a rug for extra care.

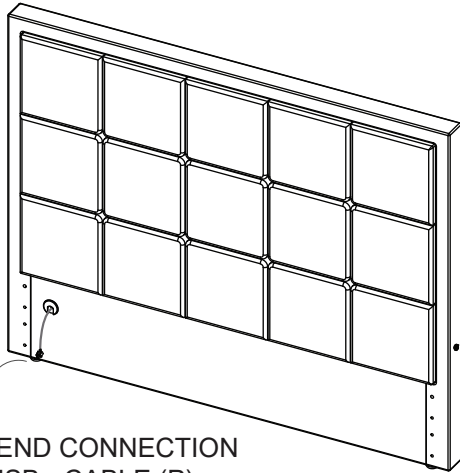


If you have problems assembling or have damaged or missing pieces, please contact us by visiting:

<https://www.happybeds.co.uk/customer-service>

CARTON 1 - HEADBOARD

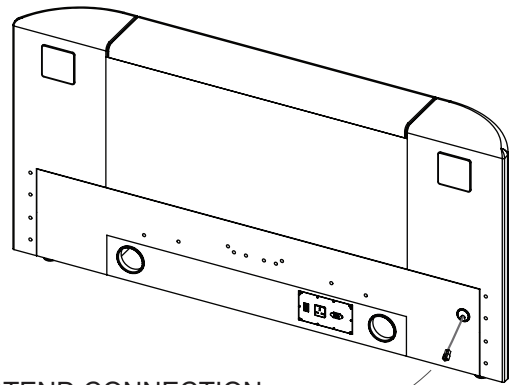
(1) Headboard



HEADEND CONNECTION FOR USB - CABLE (P)

CARTON 2 - FOOTBOARD

(2) Footboard



FOOTEND CONNECTION FOR USB - CABLE (P)

The following items are packed in an Accessory Box inside the TV Compartment, in Carton 2

Hardware Pack for Bed Assembly

A x16

Bolts (M8x30mm) for fitting side rails (3&4) to headboard & footboard (1&2)

B x16

Spring Washers (for M8 bolts)

Hardware Pack for Media Tray Assembly

A x4

Bolts (M8x30mm) for fitting Media Tray to side rail (3)

C x4

Flat M8 Washers for fitting Media Tray to side rail (3)

C x16

Flat Washers (for M8 bolts)

D x1

Allen Key (5mm for M8 bolt)

E x11

Screws (5x50mm) for assembling Media Tray panels

F x11

Plastic Barrel Nuts for assembling Media Tray panels

Hardware Pack for TV Installation

a x2

Screw-Washer sets (M8x25mm). Use 5mm Allen Key (D)

Counter-Sunk Screws (M6x12mm)

Counter-Sunk Screws (M4x12mm)

b x1

Allen Key (4mm)

Allen Key (2.5mm)

TV Cables & Accessories, Mattress Stopper and Mattress Base Board Mechanisms

G x1

Mains Power Lead

H x2

HDMI Leads

J x1

Aerial Lead

K x3

Cable Clips

L x3

Cable Ties

M x1

HDMI 90° adaptor

N x1

Remote Control TV Lift_Audio

P x1

Connection Cable USB Chargers

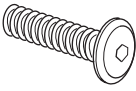

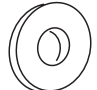

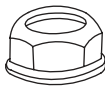
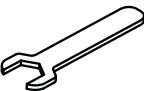
R x1 Pr

Gas-Lift Mechanisms

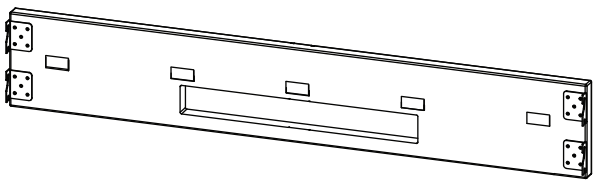
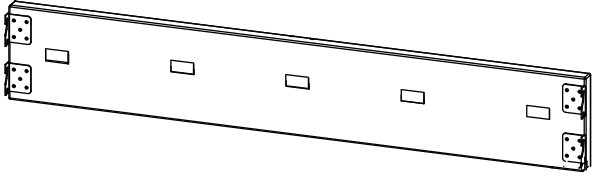


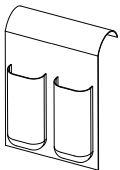
U x2

Mattress Stoppers

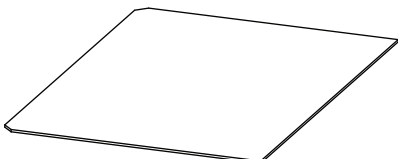
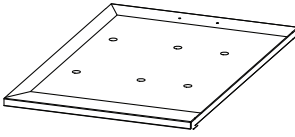
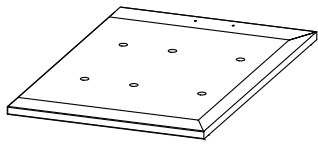
HARDWARE PACK FOR ASSEMBLY OF OTTOMAN MATTRESS BASE BOARDS - ALSO IN CARTON 2

| | | | |
|---|--|--|--|
| <p>A x26</p>  <p>Bolts (M8x30) for fitting Gas-lift mechanisms R(a) & R(b) to Headboard & Footboard (1&2) & Gas-lift mechanisms and Metal tie rails (5) to Mattress base boards (13&14).</p> | <p>B x30</p>  <p>Spring Washers (for M8 bolts)</p> | <p>C x30</p>  <p>Flat M8 Washers for Bolts (A) & Mattress Stoppers</p> | <p>Q x4</p>  <p>M8 Nuts (for Mattress Stoppers)</p> |
| | <p>S x2</p>  <p>M8 Flanged Lock-Nuts for gas-lift pistons</p> | <p>T x1</p>  <p>Spanner (for M8 nut)</p> | |

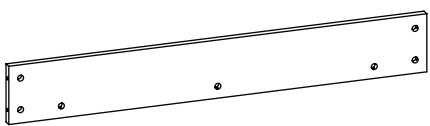
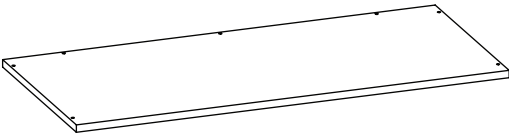
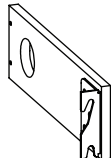
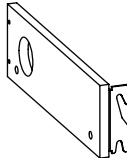
CARTON 3 - SIDE RAILS

| | |
|---|--|
| <p>(3) Side Rail - With Media Tray x 1</p>  | <p>(4) Side Rail - Without Media Tray x 1</p>  |
| <p>(5) Metal Tie Rails for Mattress Base Boards x2</p>  | <p>(6) Hand Strap x1</p>  |
| | <p>(7) Remote control holster x1</p>  |

CARTON 4 - OTTOMAN MATTRESS BASES & STORAGE BASE BOARDS

| | | |
|--|--|--|
| <p>(12) Storage Base Boards x2</p>  | <p>(13) Mattress Base Board x1</p>  | <p>(14) Mattress Base Board x1</p>  |
|--|--|--|

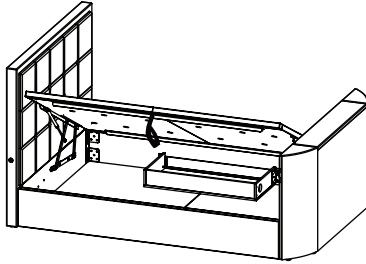
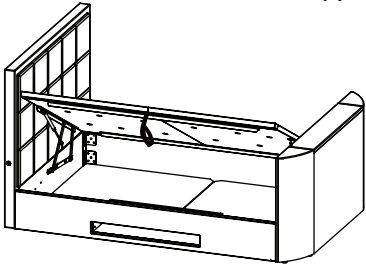
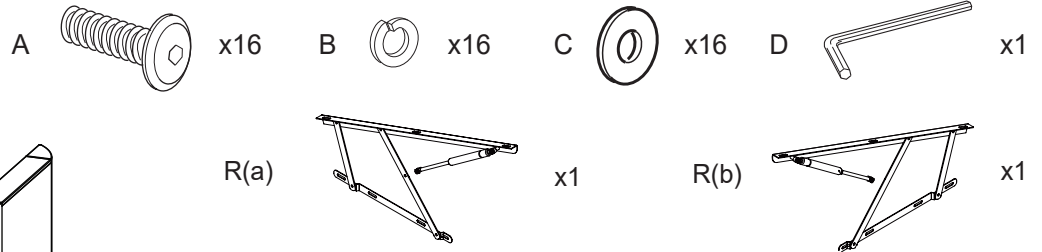
CARTON 5 - MEDIA TRAY

| | |
|--|--|
| <p>(8) Media Tray Back Panel x 1</p>  | <p>(9) Media Tray Base Panel x 1</p>  |
| <p>(10) Media Tray Side Panel - LH x 1</p>  | <p>(11) Media Tray Side Panel - RH x 1</p>  |

Step 1a

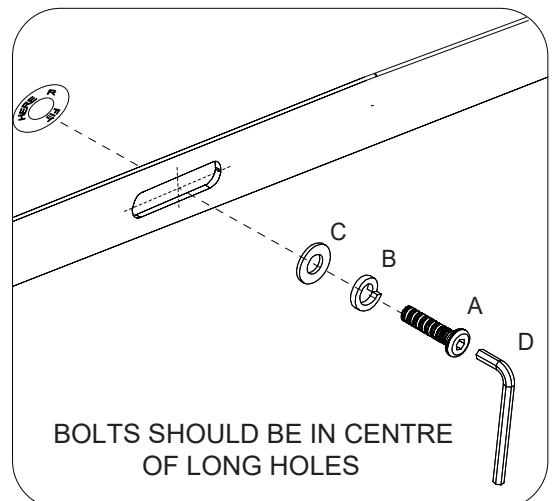
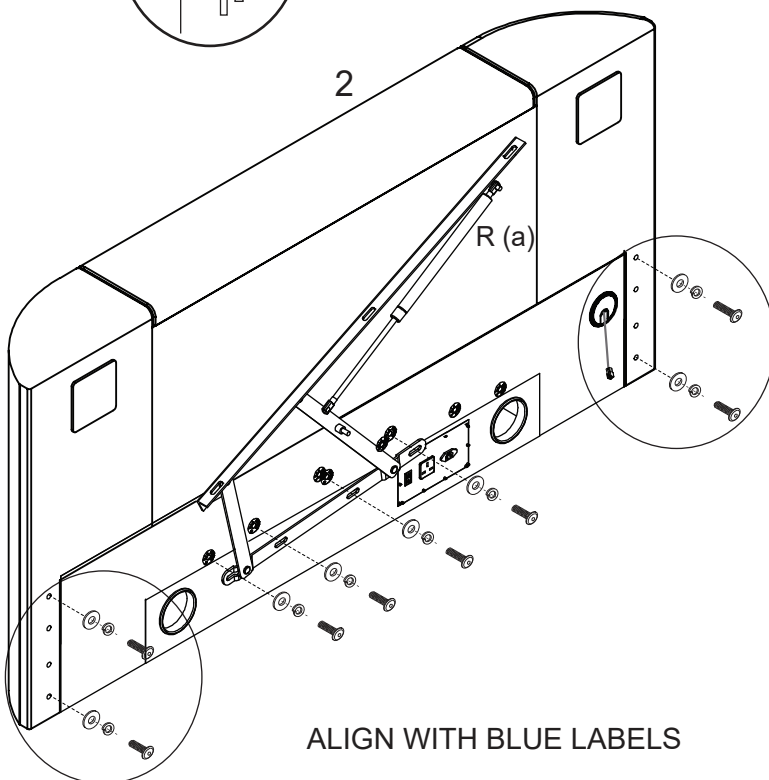
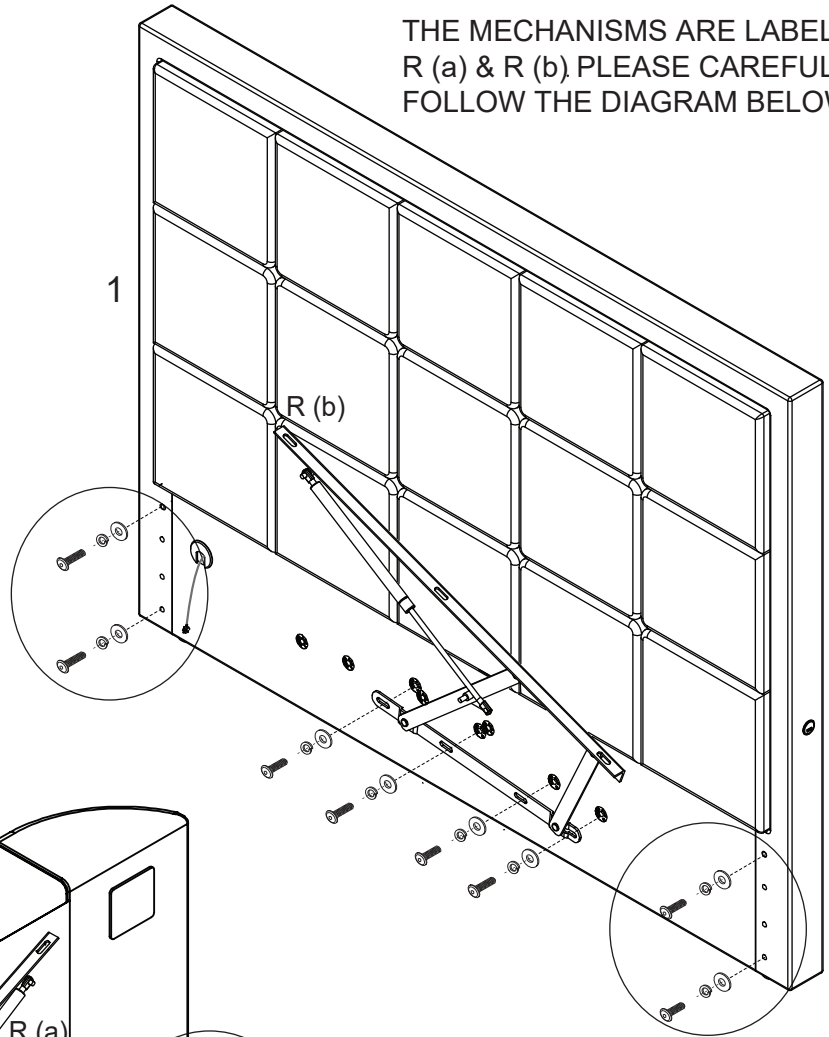
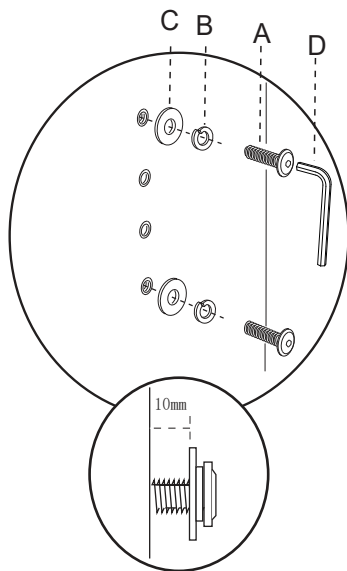
CHOOSE WHICH SIDE YOU WANT TO LIFT UP

OPEN FROM LEFT



CHECK THIS DIAGRAM AND IF ACCESS IS NEEDED FROM LEFT SIDE OF BED, FIT BOTH LIFT MECHANISMS TO RIGHT SIDE OF THE BED. BOLT INTO THE HOLES MARKED (R) WITH BLUE LABELS.

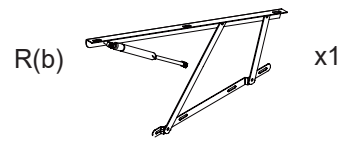
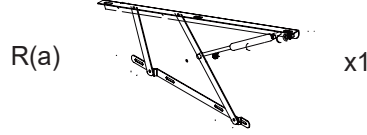
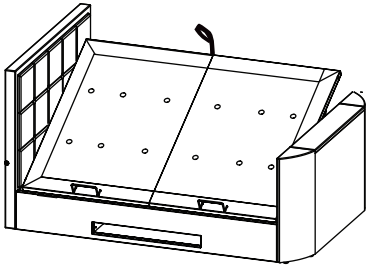
THE MECHANISMS ARE LABELED R (a) & R (b). PLEASE CAREFULLY FOLLOW THE DIAGRAM BELOW.



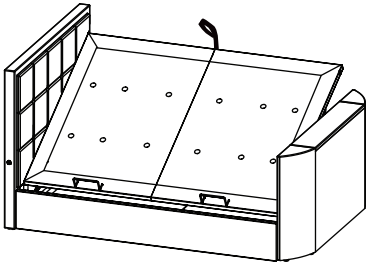
Step 1b

OPEN FROM RIGHT

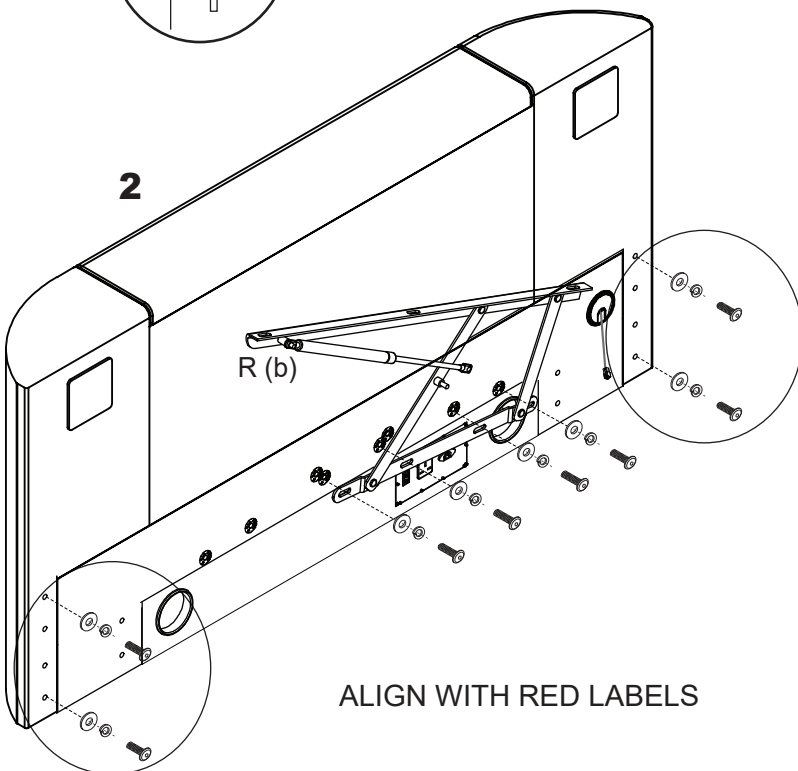
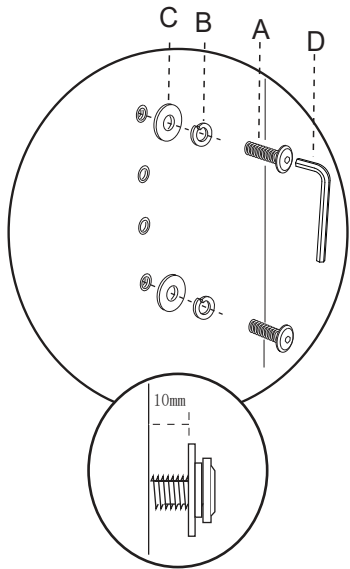
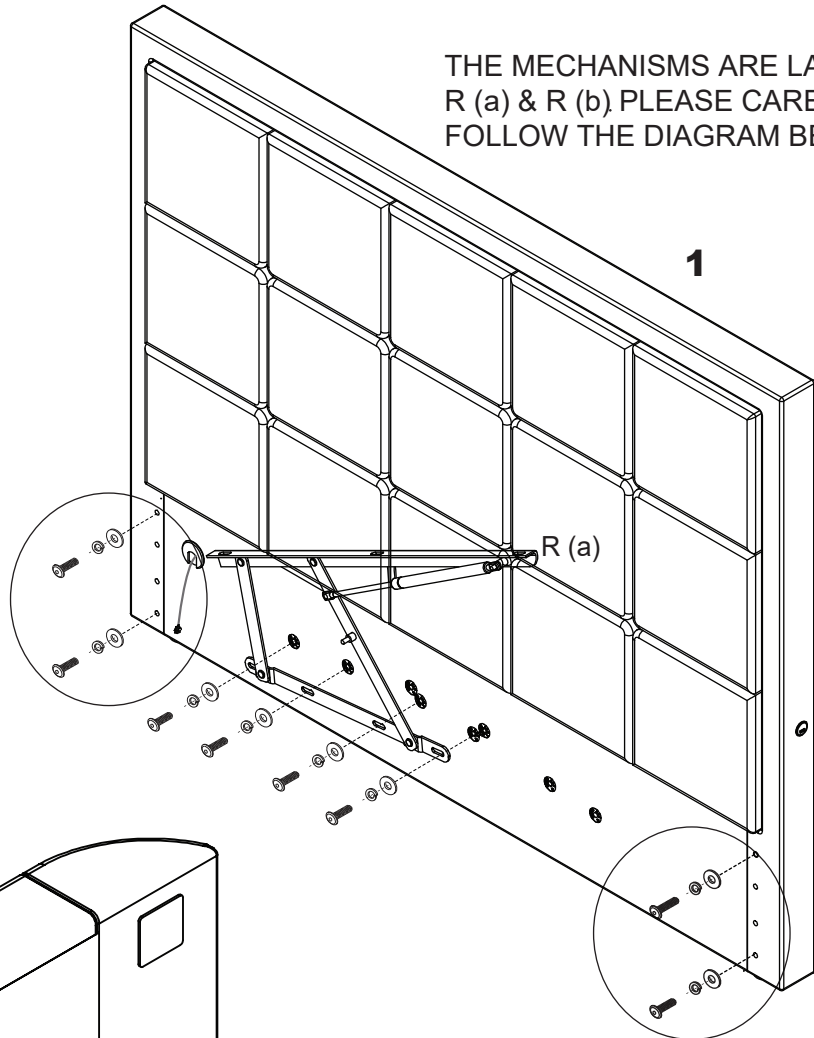
- A  x16
- B  x16
- C  x16
- D  x1



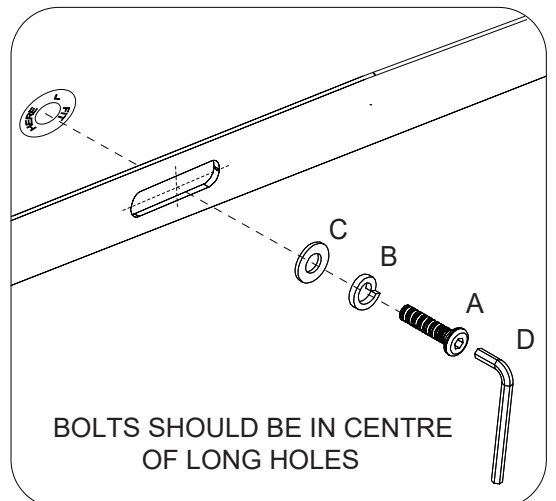
CHECK THIS DIAGRAM AND IF ACCESS IS NEEDED FROM RIGHT SIDE OF BED, FIT BOTH LIFT MECHANISMS TO LEFT SIDE OF THE BED. BOLT INTO THE HOLES MARKED (L) WITH RED LABELS.



THE MECHANISMS ARE LABELED R (a) & R (b). PLEASE CAREFULLY FOLLOW THE DIAGRAM BELOW.

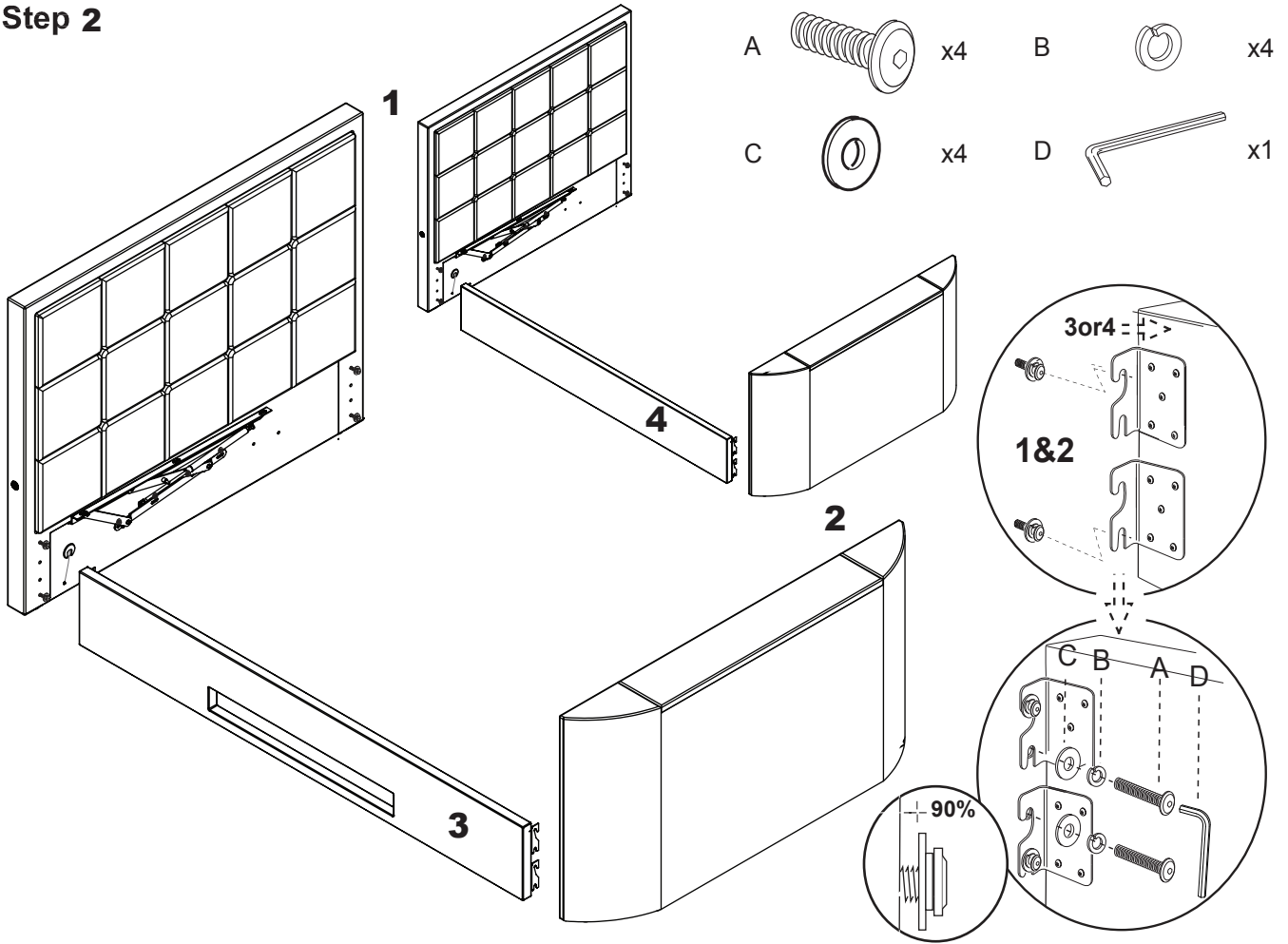


ALIGN WITH RED LABELS



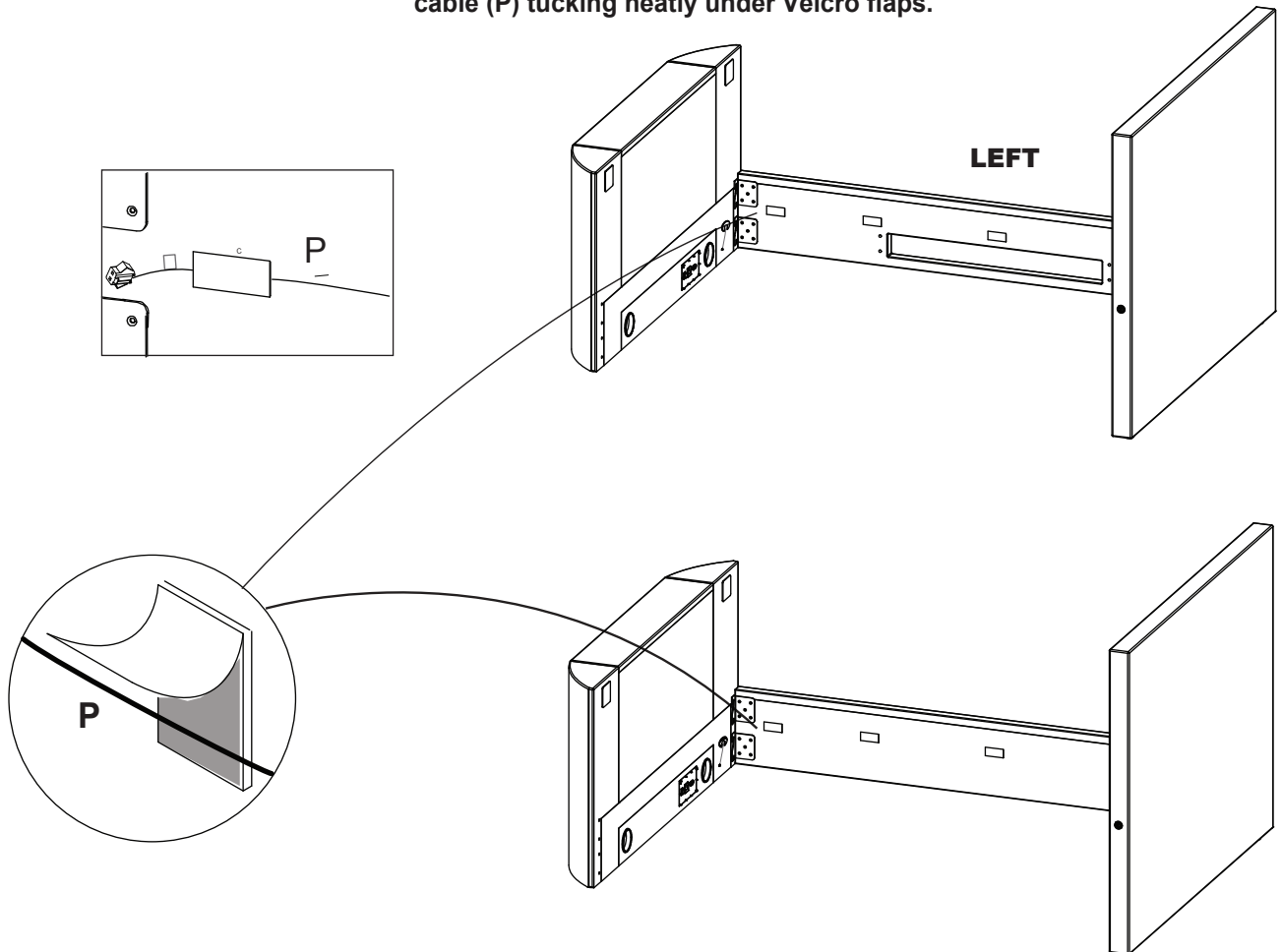
BOLTS SHOULD BE IN CENTRE OF LONG HOLES

Step 2



Step 3

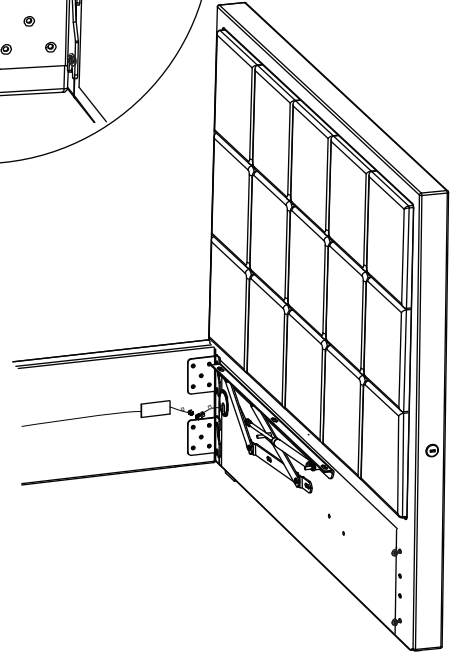
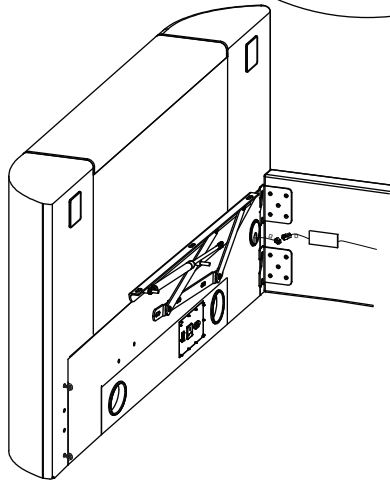
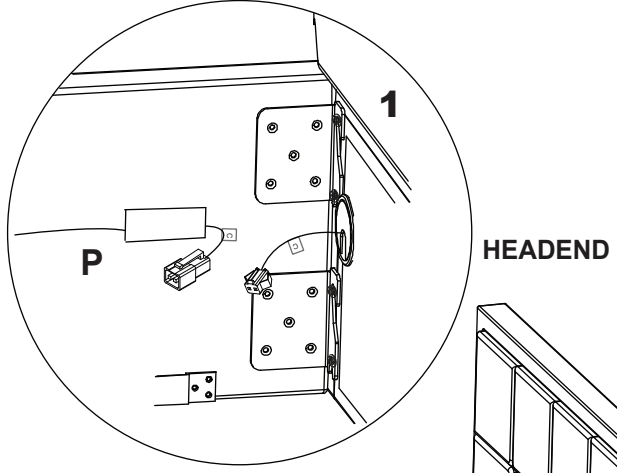
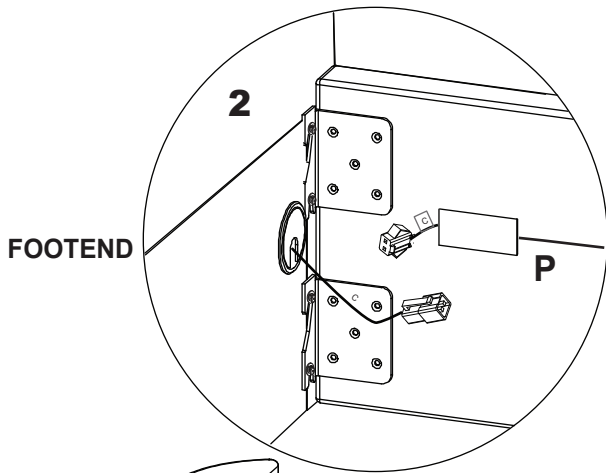
Always to LEFT side rail 3 or 4, irrespective of which side is chosen to be plain or with media tray, fit USB connection cable (P) tucking neatly under Velcro flaps.



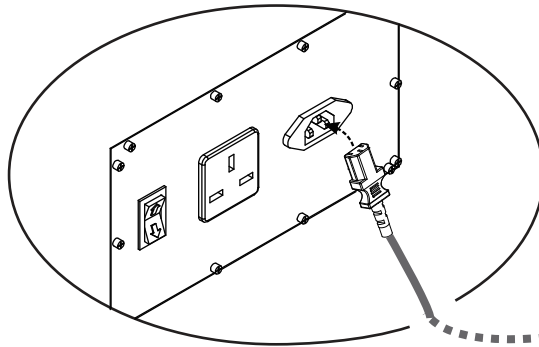
Step 4

Connect **SOCKET** in Footend to **PLUG** on connection cable

Connect **PLUG** in Headend to **SOCKET** on connection cable

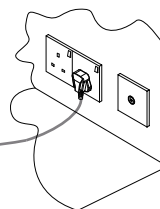
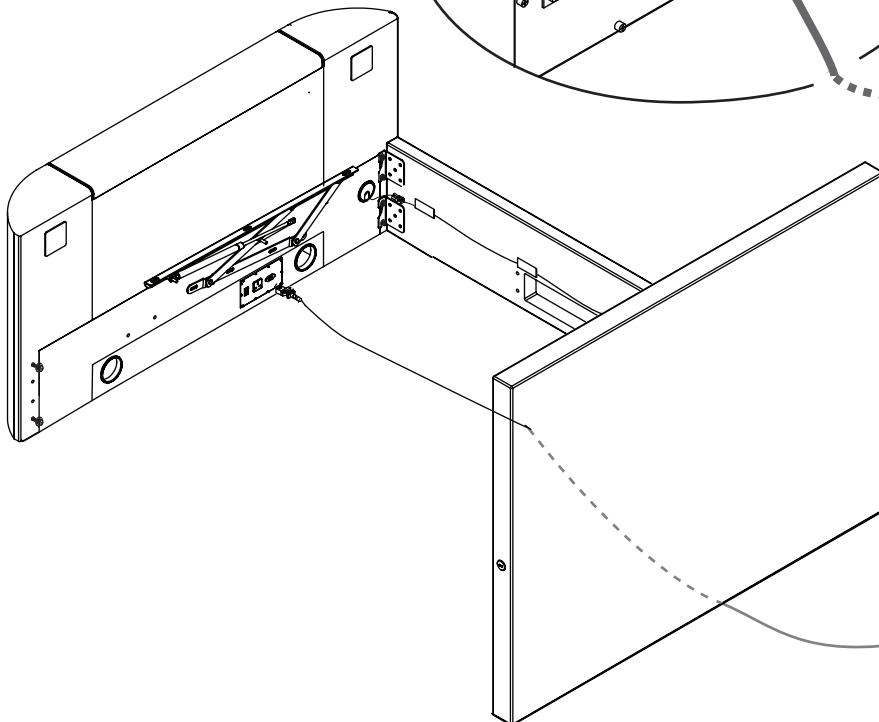


Step 5

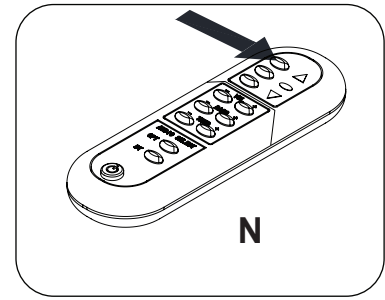
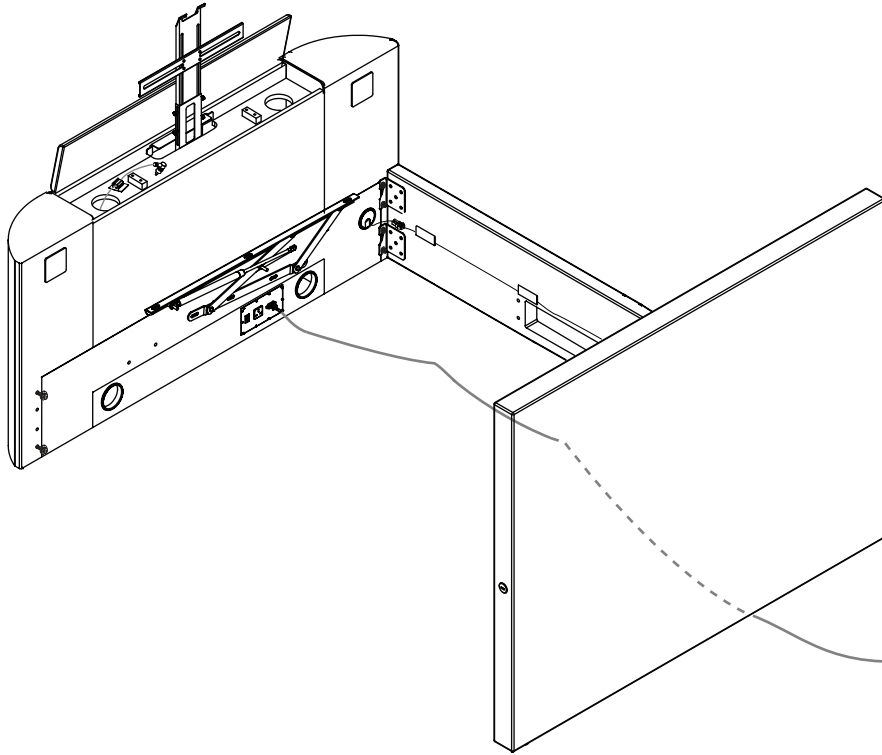


G

Connect Main Power Lead (G) to your wall socket - for safety, this must be an earthed supply.



Step 6



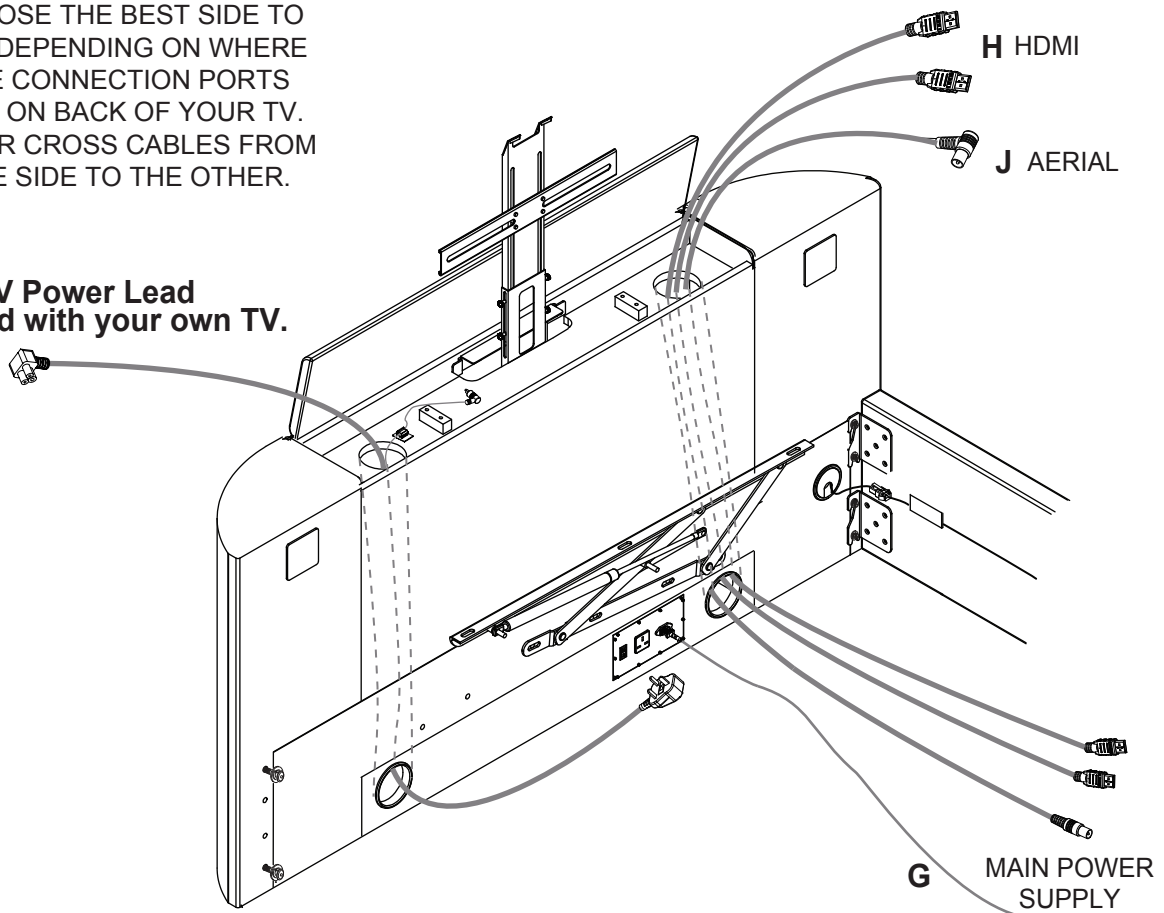
Press the "UP" button to raise the TV lift.

Step 7

TIP:
BEFORE FITTING THE TV,
PUSH CABLES THROUGH
EACH DUCT FROM THE TOP.
CHOOSE THE BEST SIDE TO
USE DEPENDING ON WHERE
THE CONNECTION PORTS
ARE, ON BACK OF YOUR TV.
NEVER CROSS CABLES FROM
ONE SIDE TO THE OTHER.

**Note: For illustration purposes
only, TV connections may vary.**


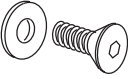
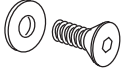
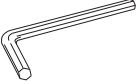
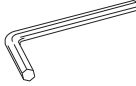
**TV Power Lead
supplied with your own TV.**

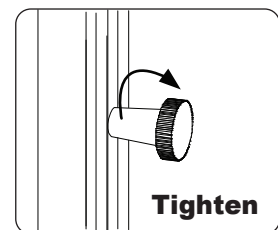
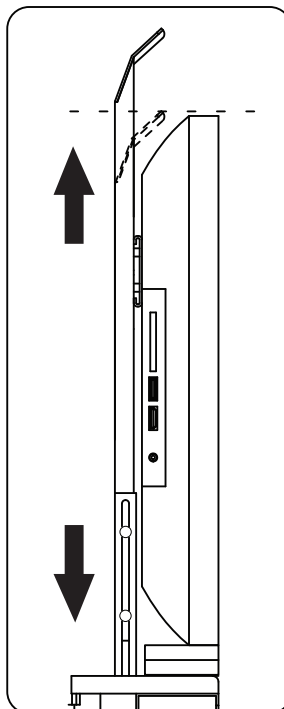
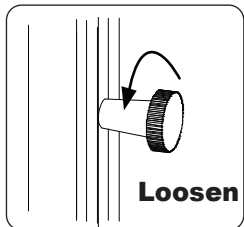
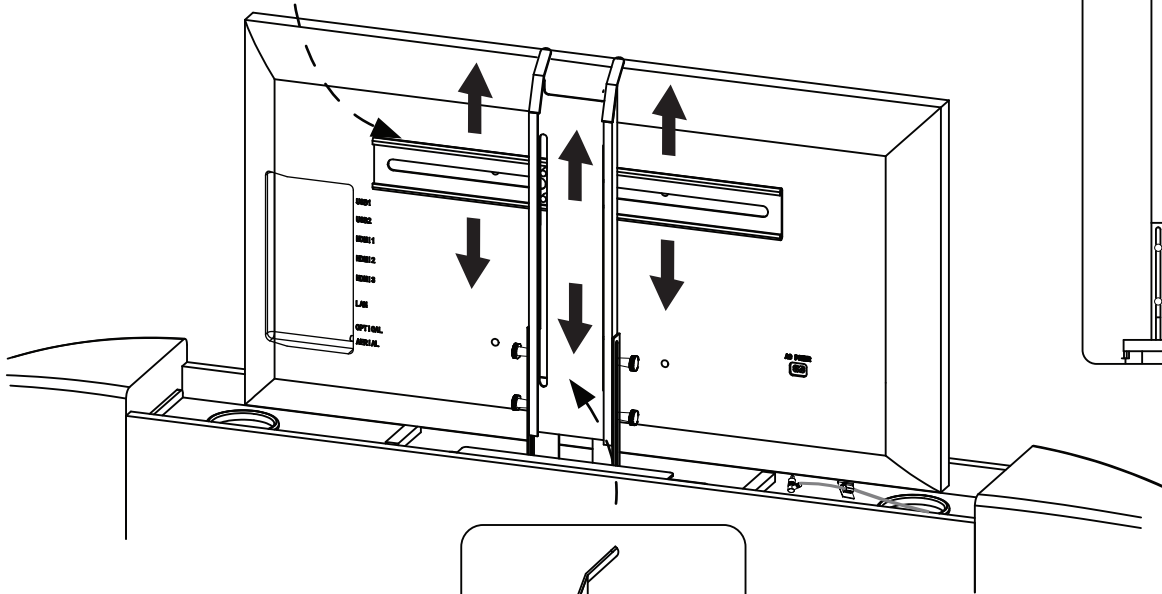
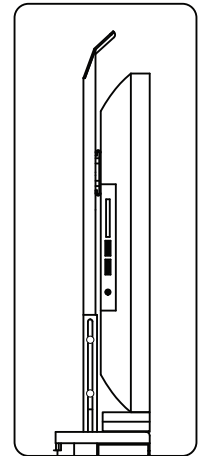
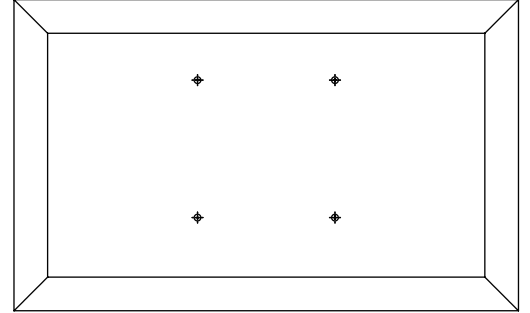
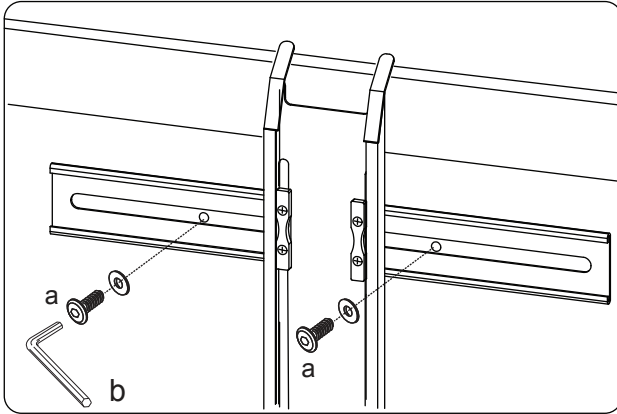


Step 8

TV Installation - Normal Vesa Fixing

IF SCREWS ARE SUPPLIED WITH TV, PLEASE USE THOSE IN PREFERENCE

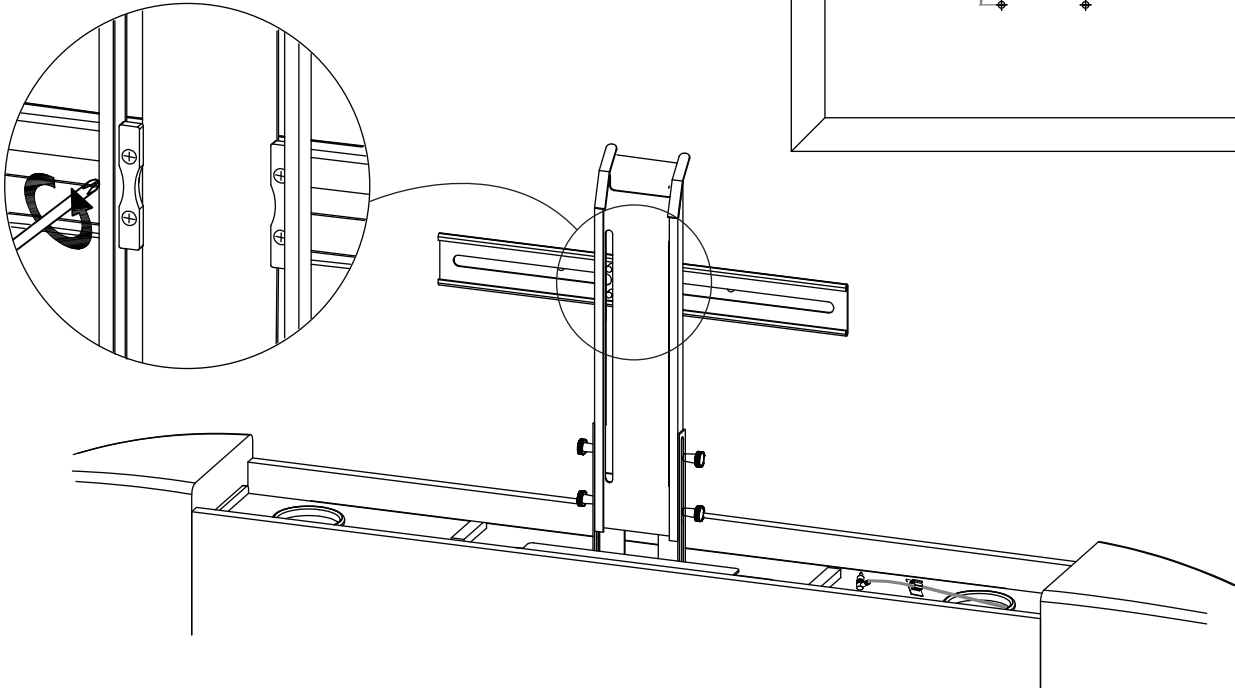
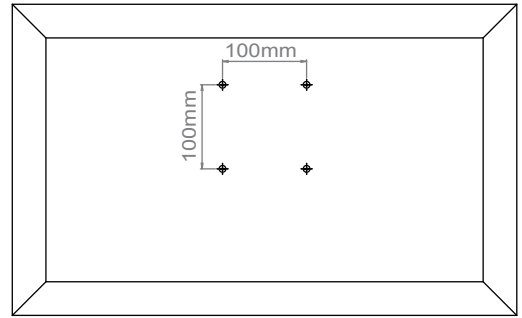
- a x2 Screw-Washer sets (M8x25mm)  Use 5mm Allen Key (D)
- Counter-Sunk Screws (M6x12mm) 
- Counter-Sunk Screws (M4x12mm) 
- b x2 Allen Key (4mm) 
- Allen Key (2.5mm) 



Step 9a

TV Installation - 100x100 Vesa Fixing

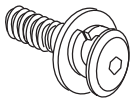
REMOVE CROSS-BRACKET
AND FIX IT DIRECTLY TO BACK OF TV



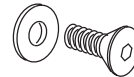
Step 9b

IF SCREWS ARE SUPPLIED WITH TV, PLEASE USE THOSE IN PREFERENCE

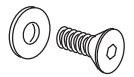
a x2 Screw-Washer sets (M8x25mm)
Use 5mm Allen Key (D)



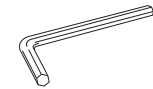
Counter-Sunk Screws (M6x12mm)



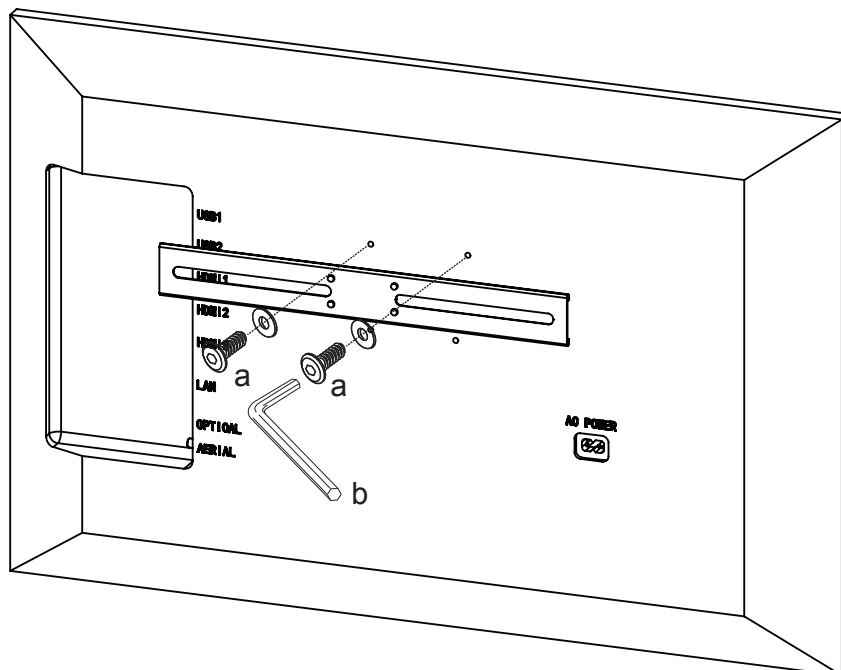
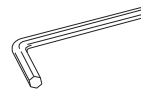
Counter-Sunk Screws (M4x12mm)



b x2 Allen Key (4mm)

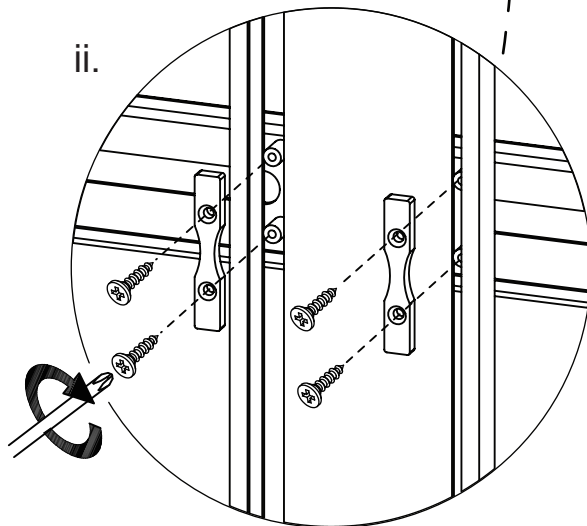
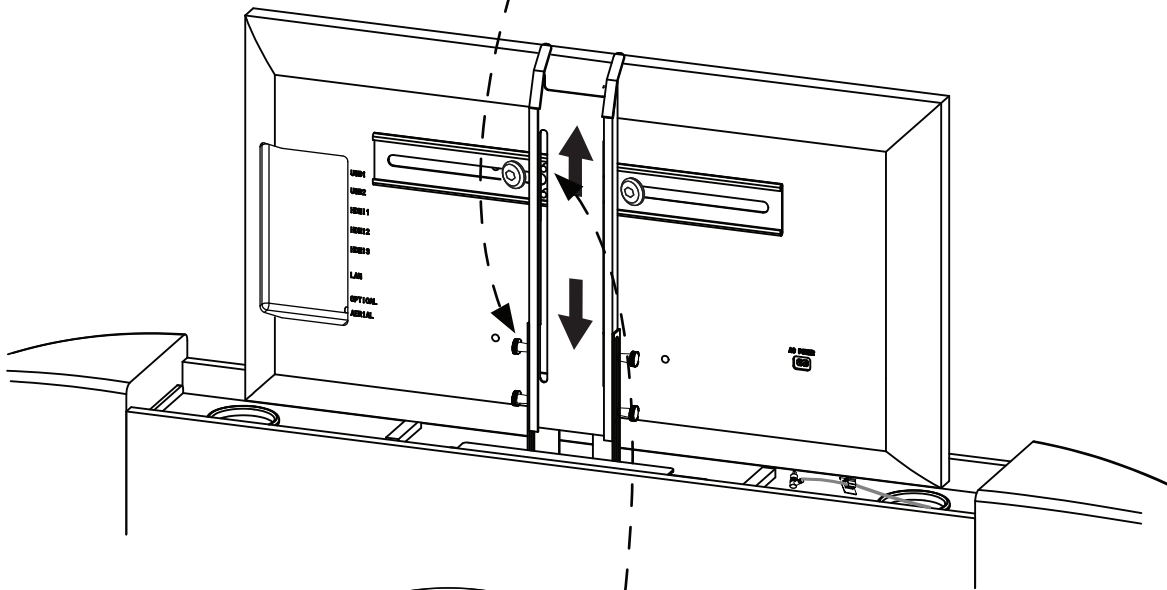
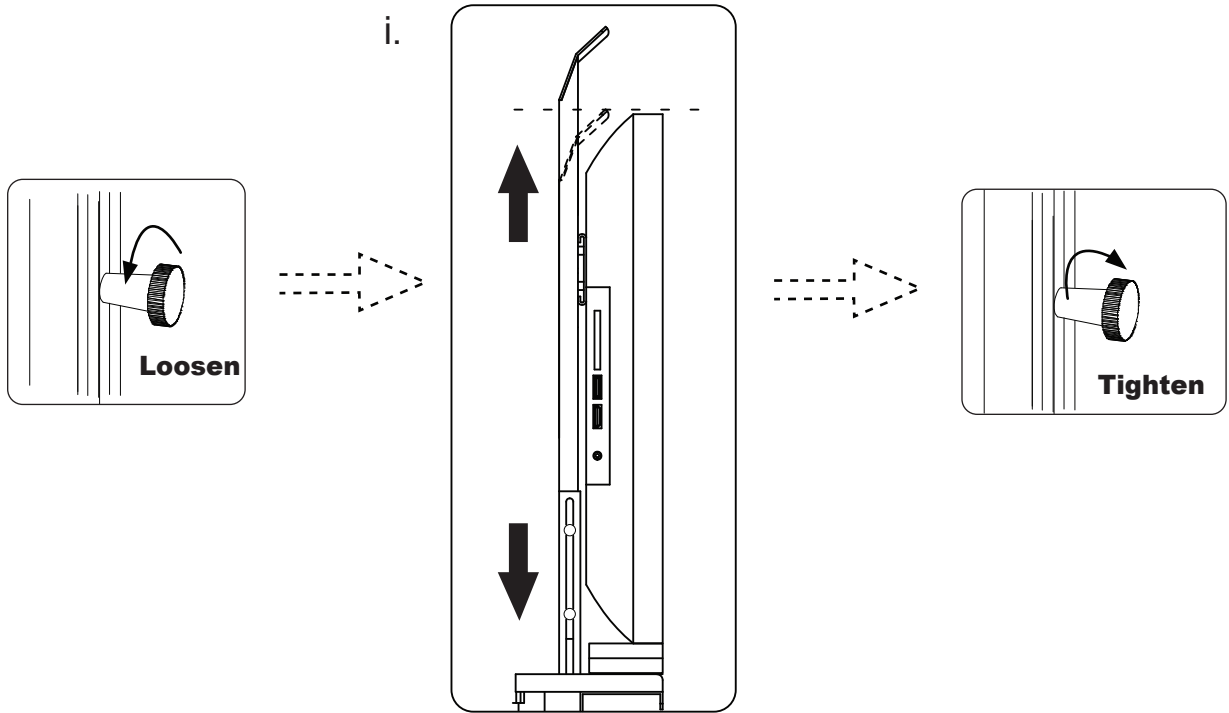


Allen Key (2.5mm)



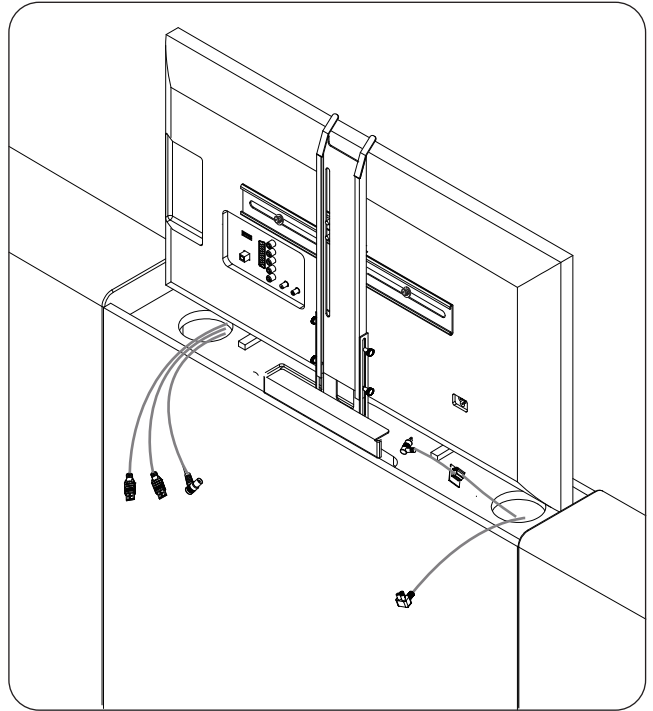
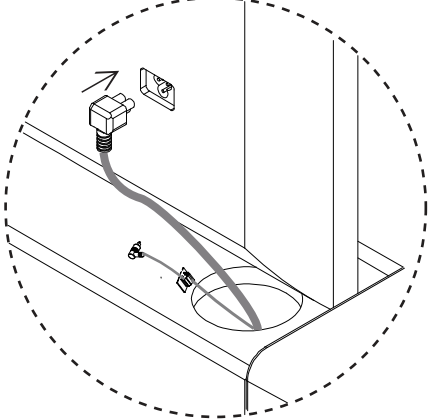
Step 9c

TV Installation - 100x100 Vesa Fixing

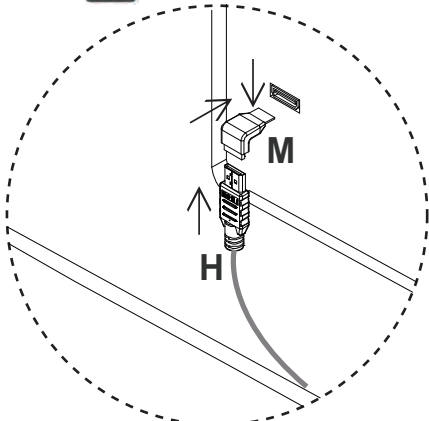


Step 10 Note: For illustration purposes only, TV connections may vary.

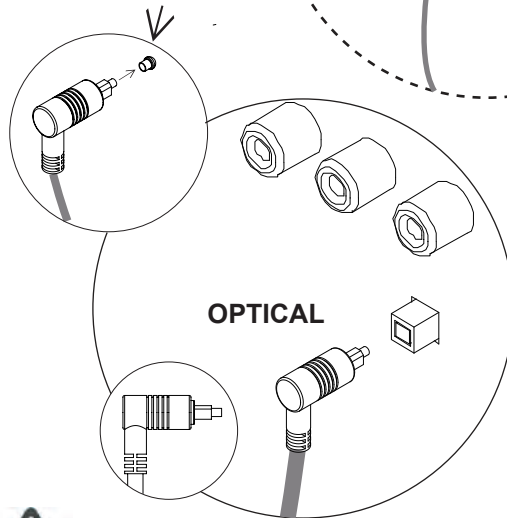
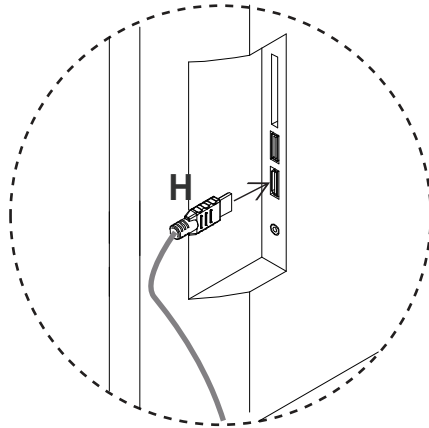
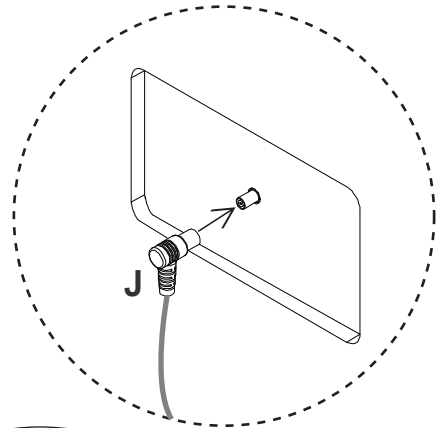
TV Power Lead supplied with your own TV



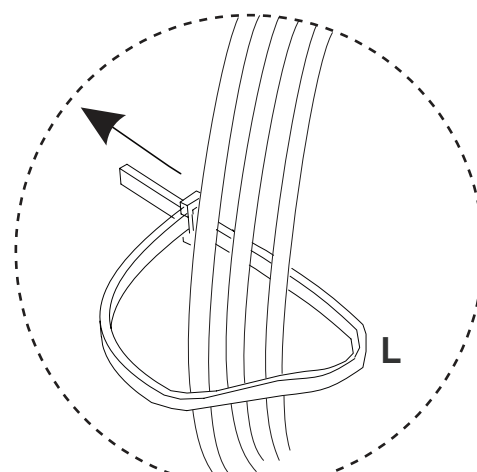
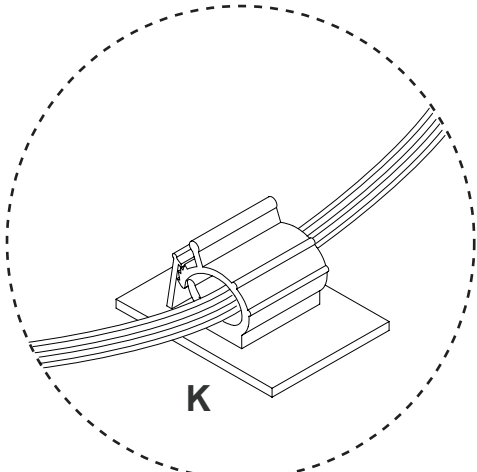
 **90° ADAPTOR**



 **REMOVE DUST-CAP**

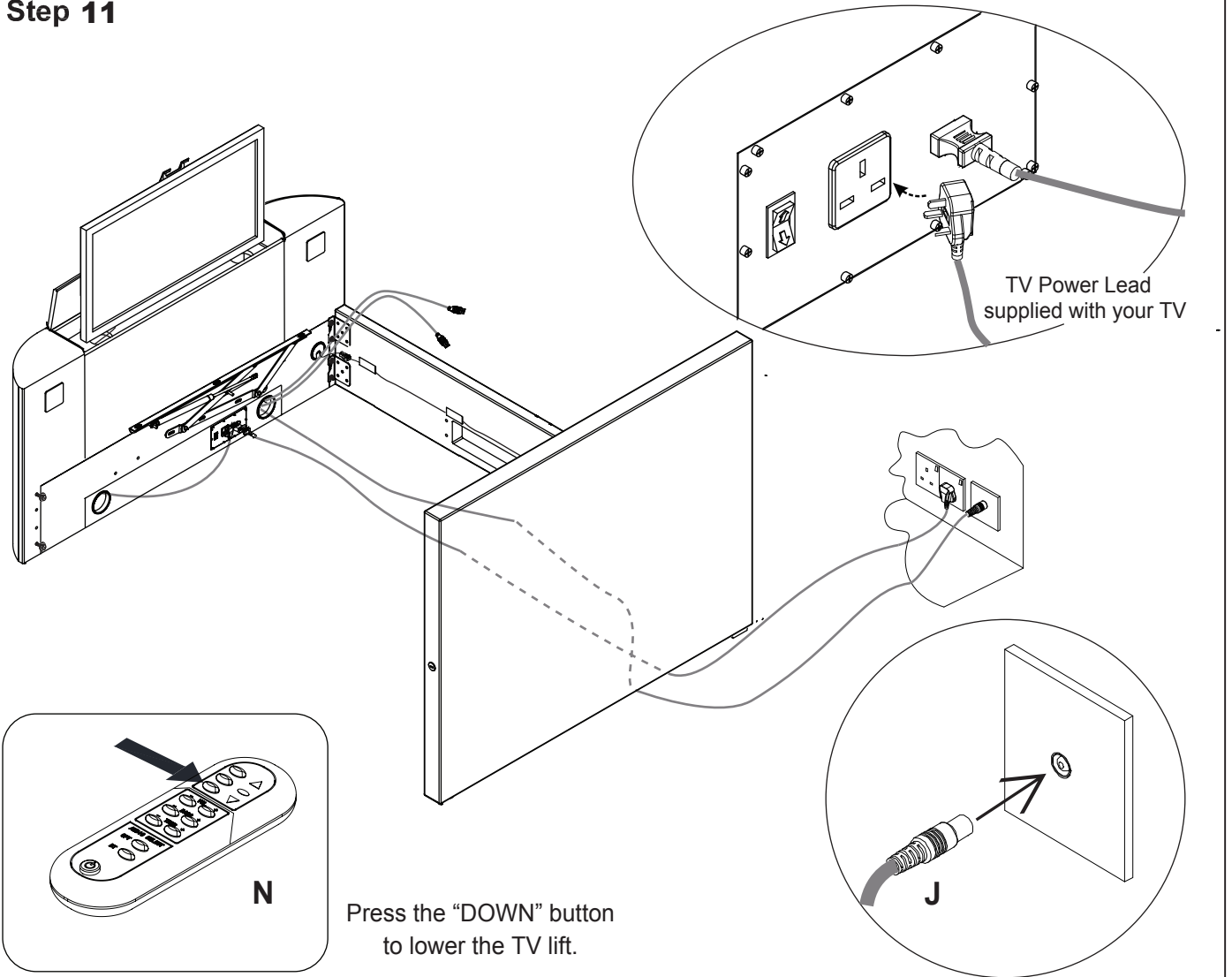


 **PLUG IN - KEEP ALL CABLES TIGHT - USE CLIPS & TIES PROVIDED.**

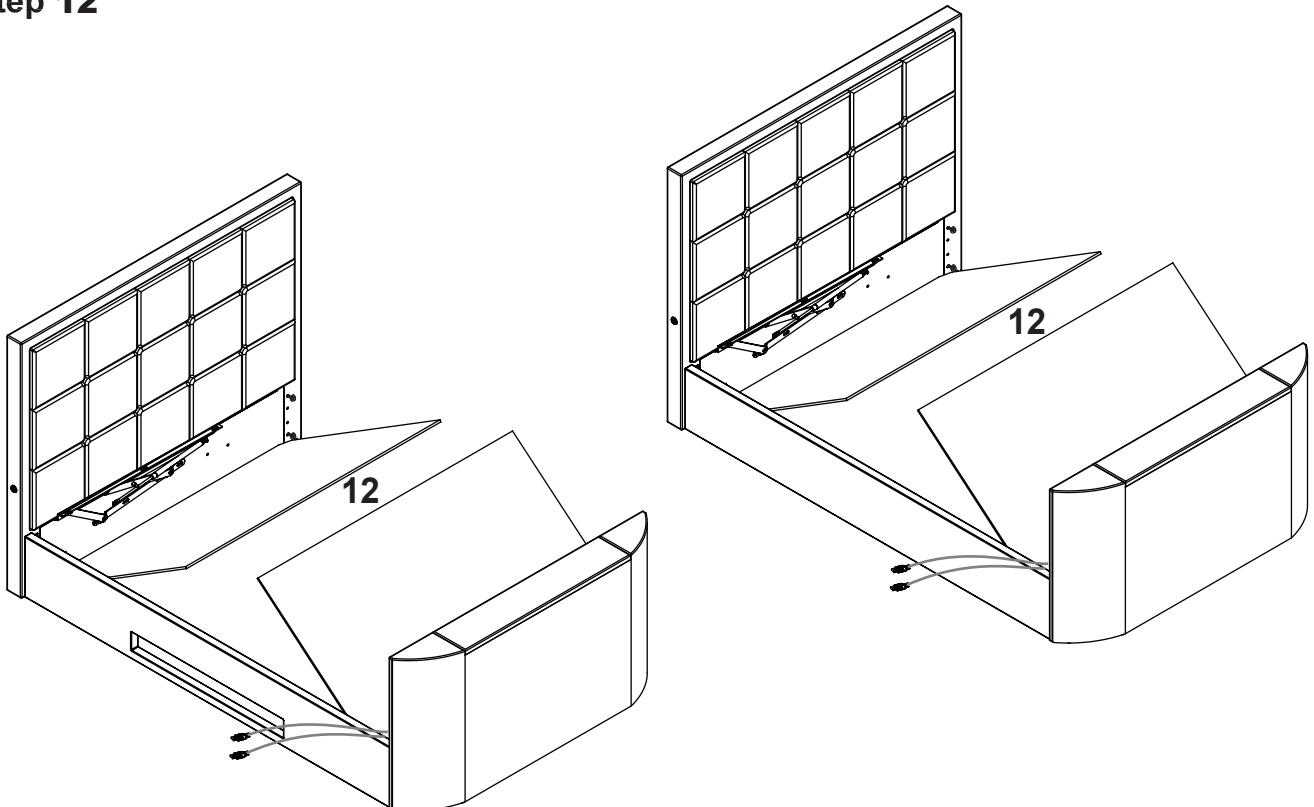


Keep wires tight - peel off cover from cable clips & adhere to back of TV.

Step 11



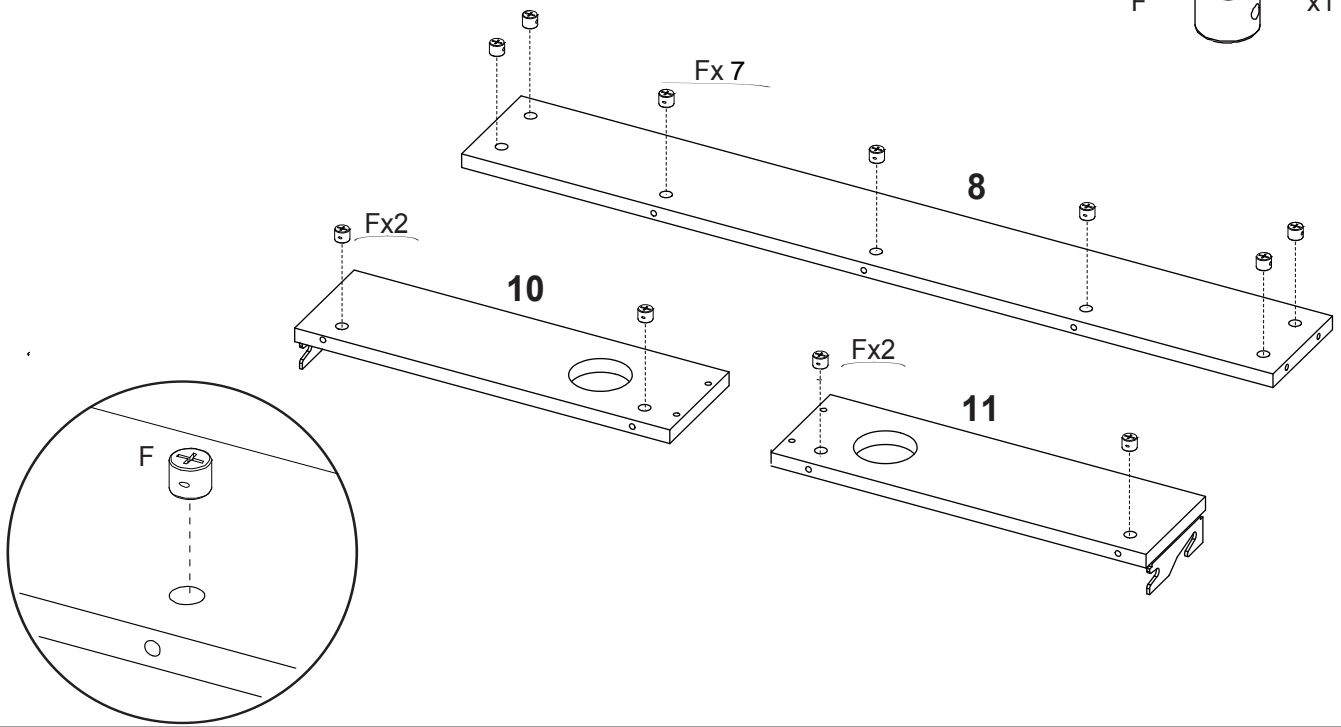
Step 12



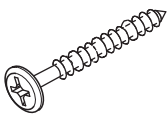
IMPORTANT: Be careful to keep the two HDMI Leads (H) on top of the Base Boards (12). Main power lead (G) and Aerial lead (J) should be kept under the base boards & fed out under the headboard so you can connect to your wall sockets.

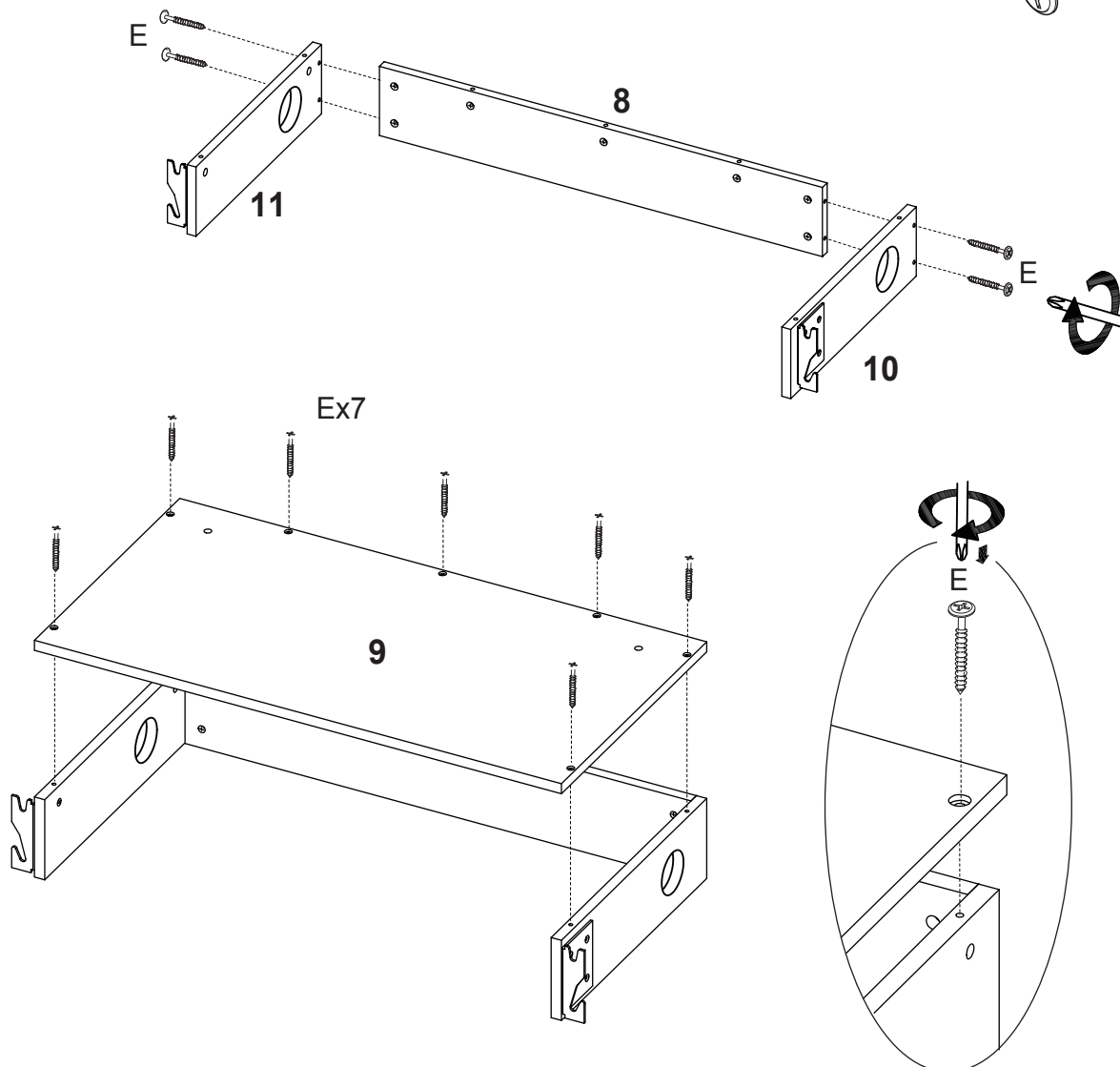
Step 13

F  x11

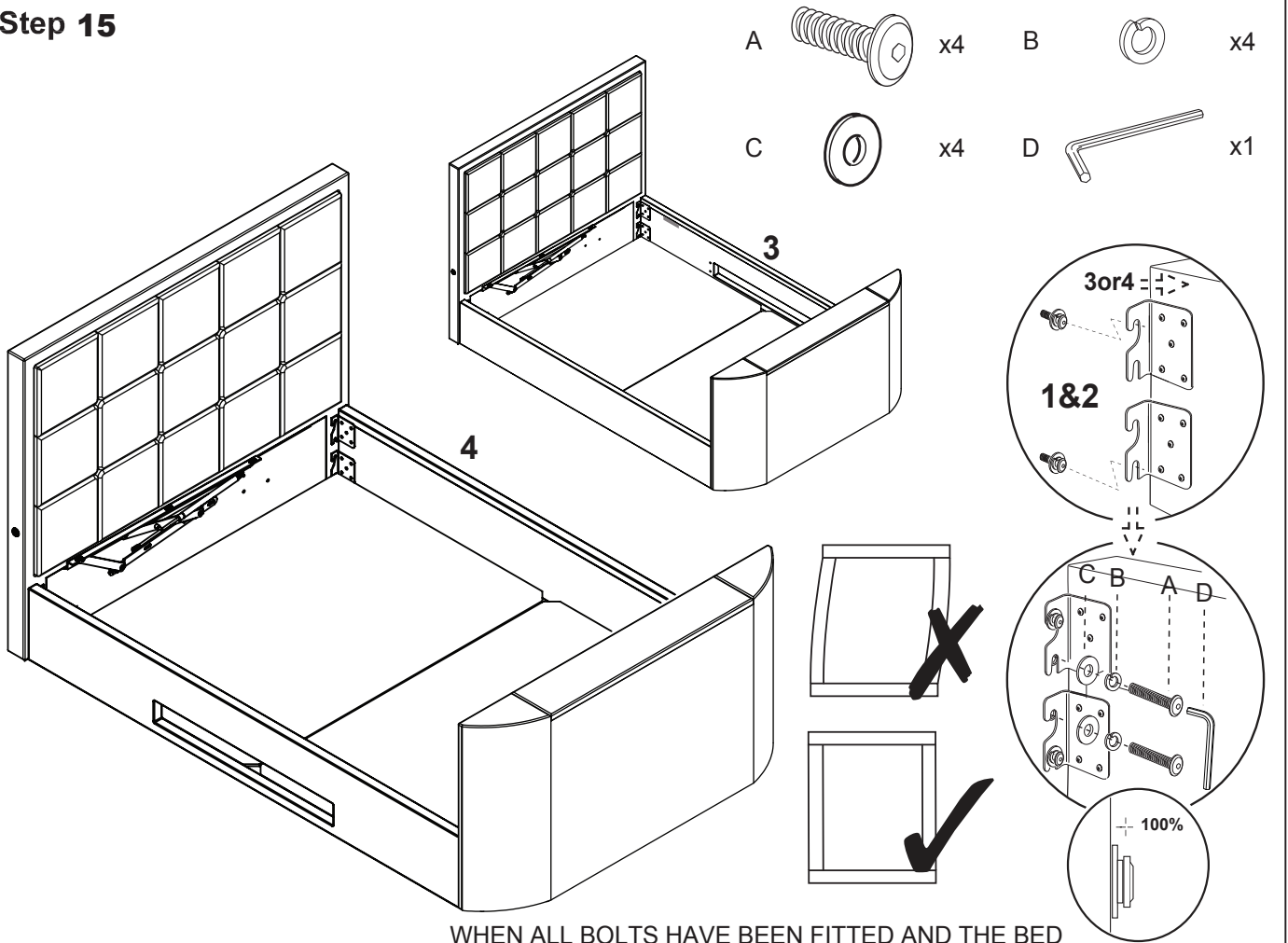


Step 14

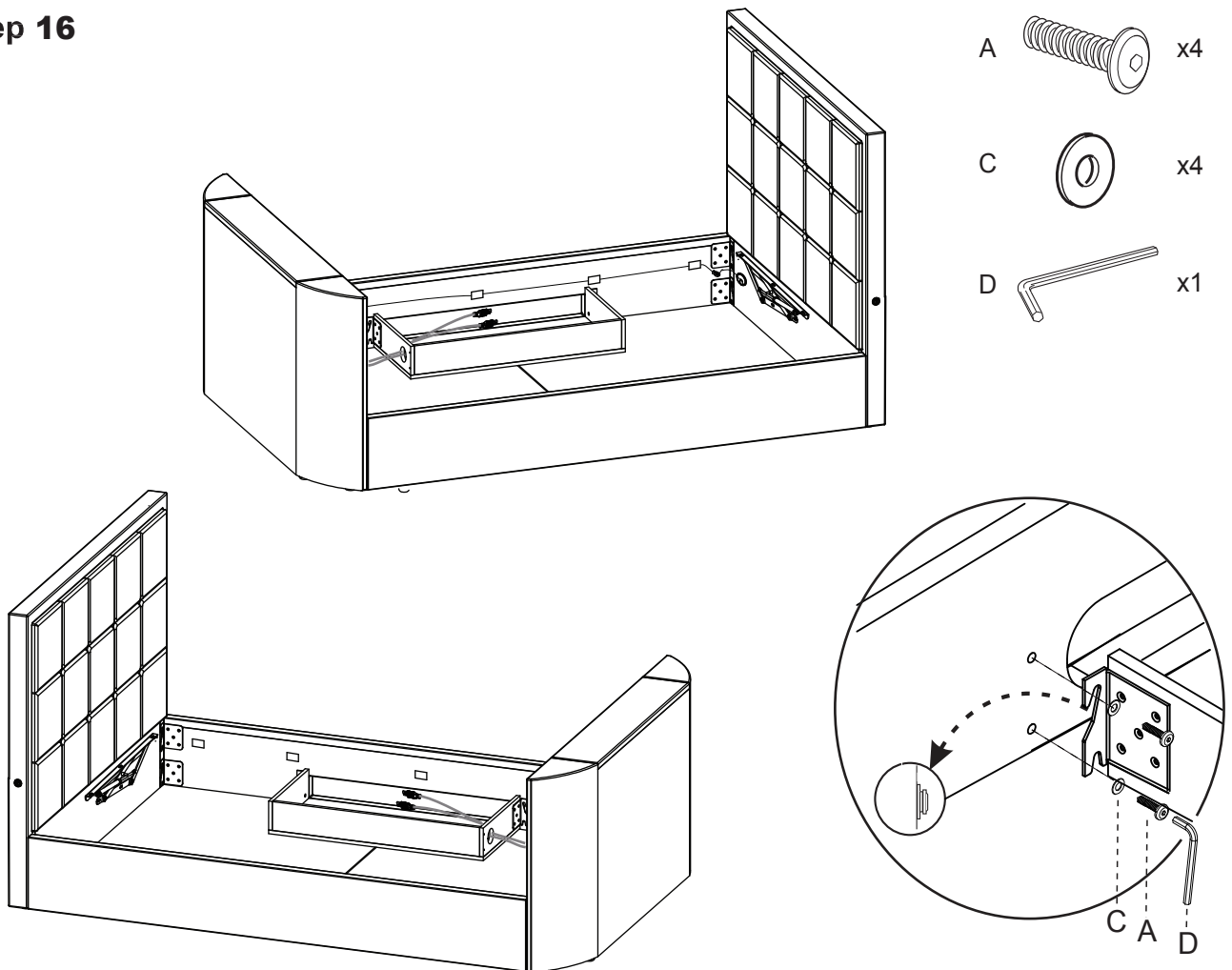
E  x11



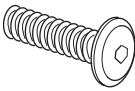



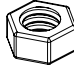

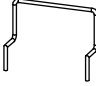
Step 15

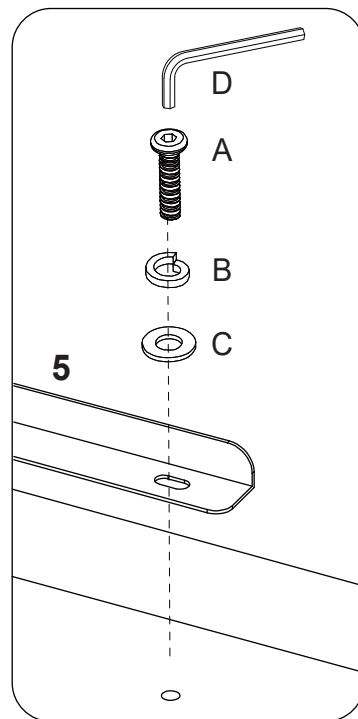
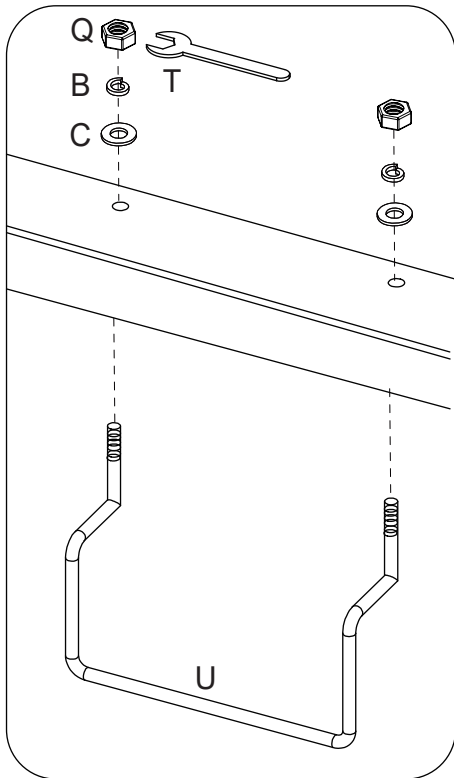
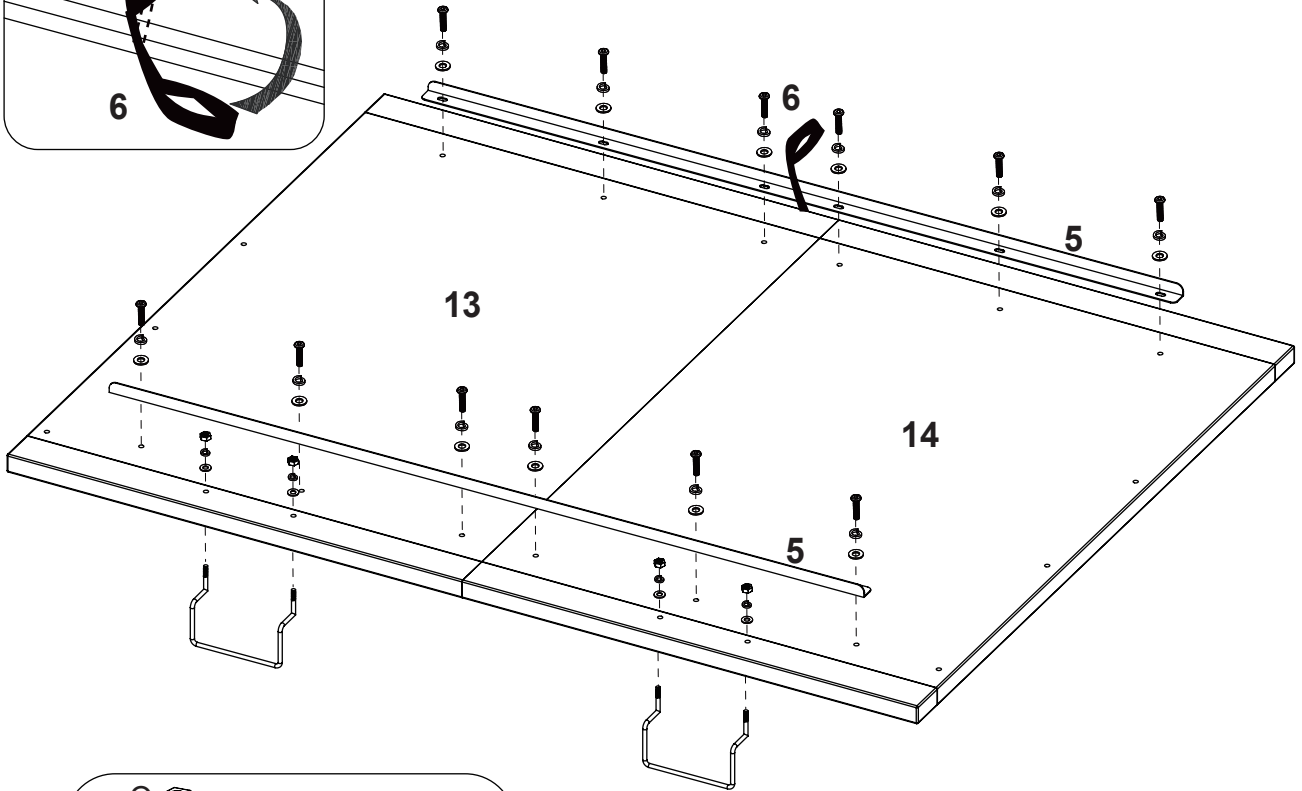
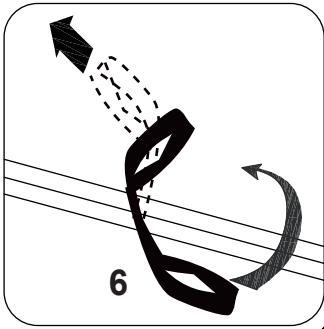


Step 16



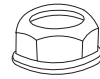
Step 17

- A  x12
- B  x16
- C  x16
- D  x1
- Q  x4
- T  x1
- U  x2



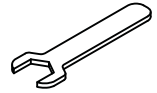
Step 18

FIT THE REMOTE CONTROL HOLSTER



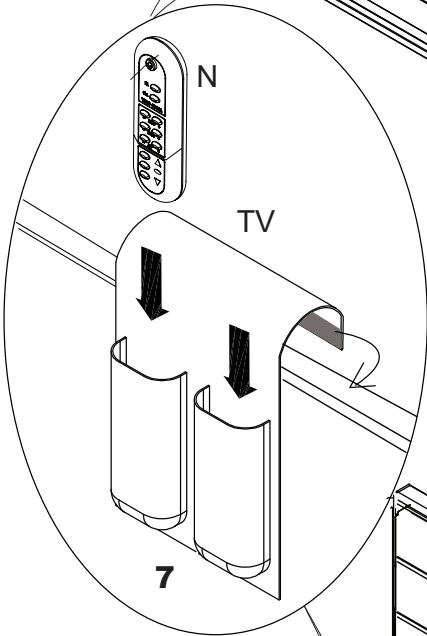
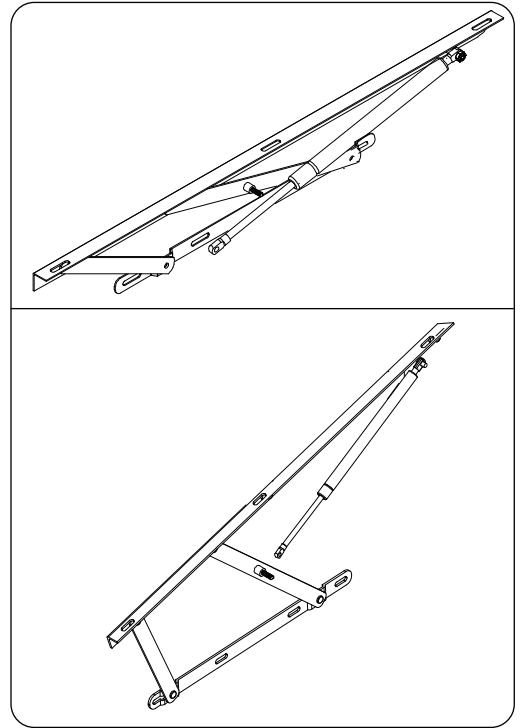
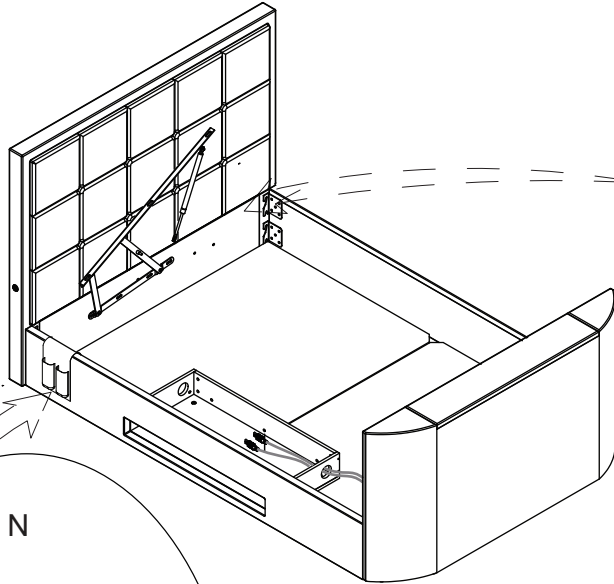
x2

T

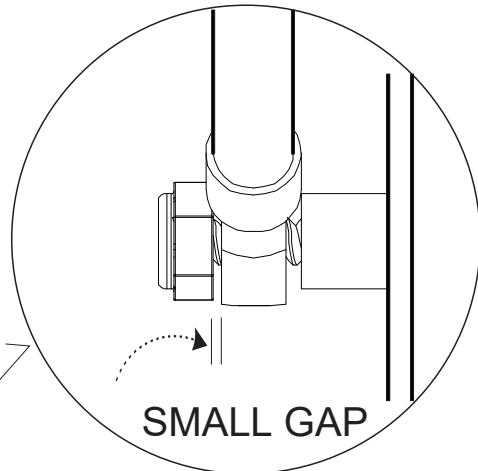
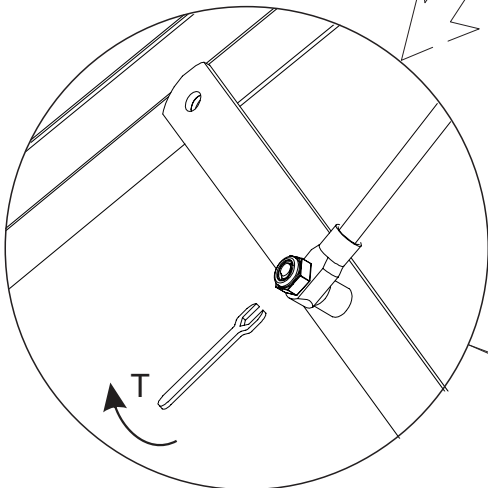
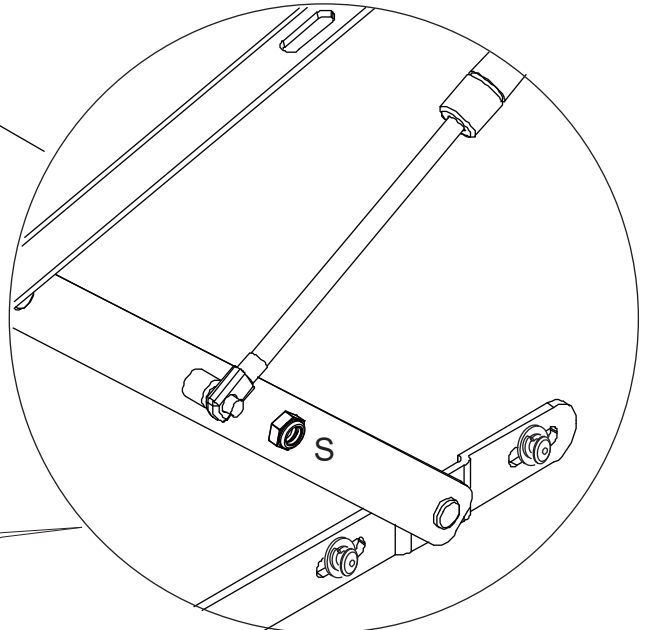
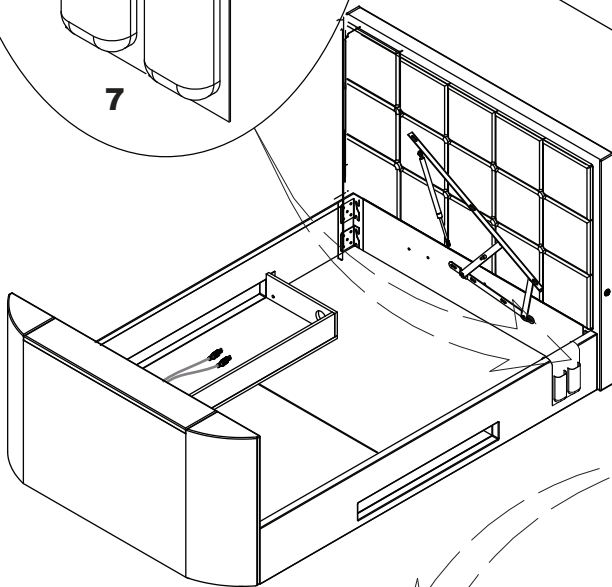


x1

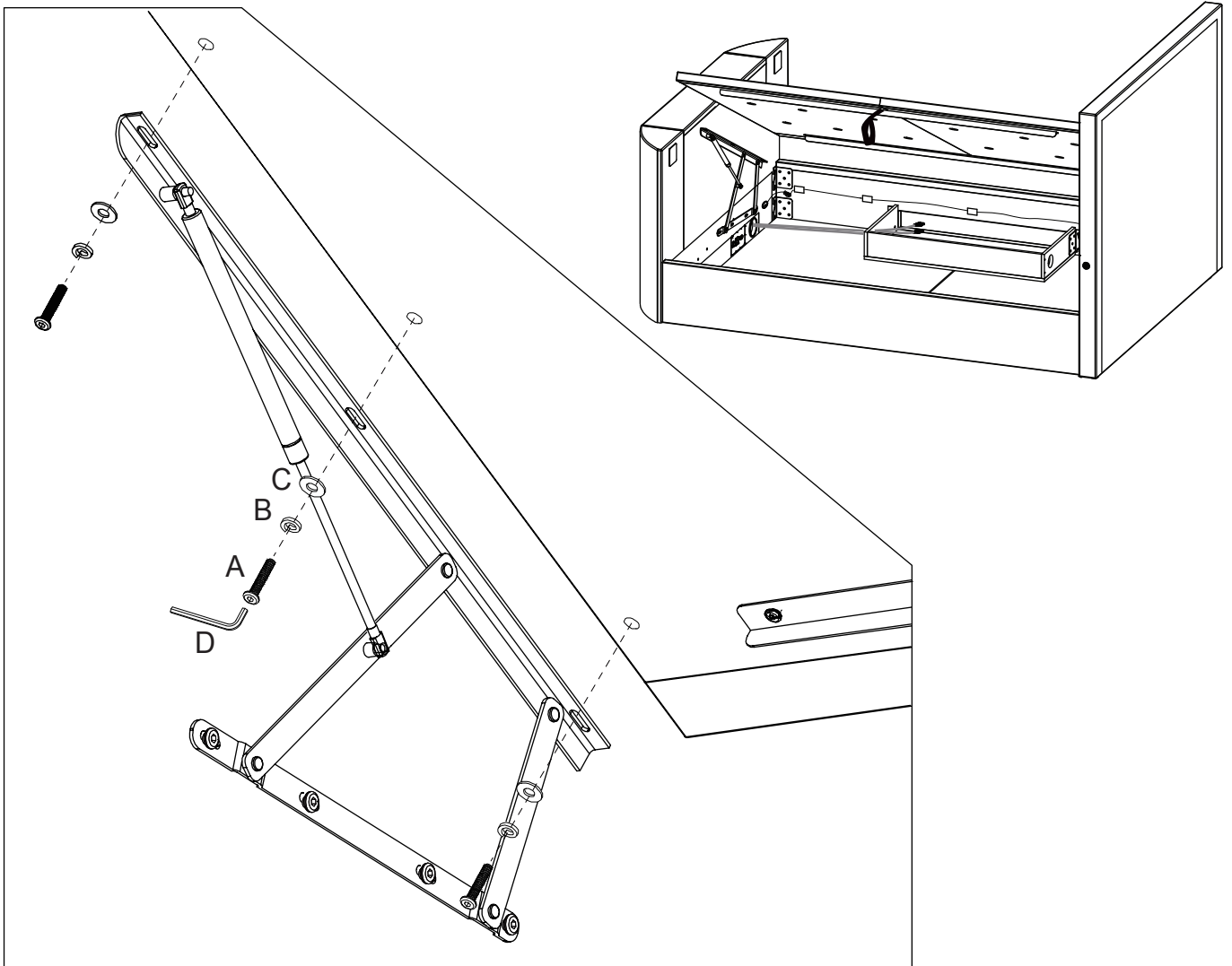
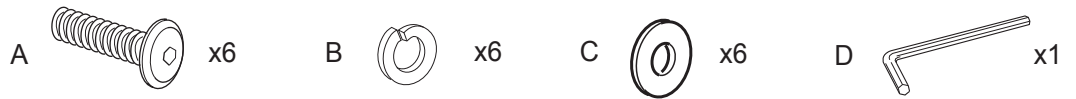
S



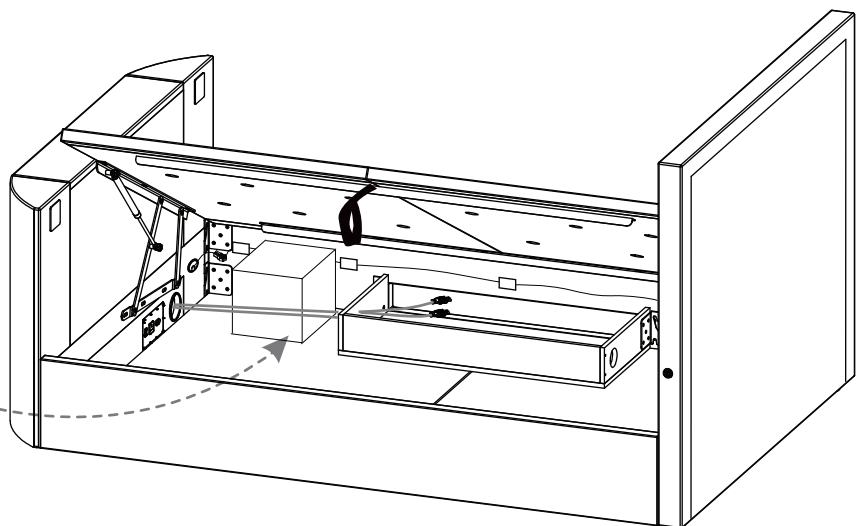
OR



Step 19



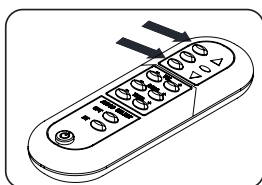
Note: Be very careful what you store under the bed - the top of an item, like a suitcase or a box, must not touch the slats or they shall be damaged. Maximum storage height is 280mm.



NOTE: Before moving the slat frame, mattress must be placed on the slats as the speed of upward movement is very high and may cause injury. Lift frame with the hand-strap then slowly push down ensuring the edges are aligned with the side panels. If not aligned, check bed is still square (see Step 15). Depending on the weight of the mattress, the speed of the lift will vary so be careful until you get used to the speed. Always use the strap to lift or lower the frame - keep fingers well away from the moving parts.

NOTE: With mattress in place, move the frame up & down five times to lubricate the pistons.

Occasionally you may find the radio wave connection between remote control and TV Lift is lost, probably due to atmospheric conditions. In that case please follow these simple instructions:



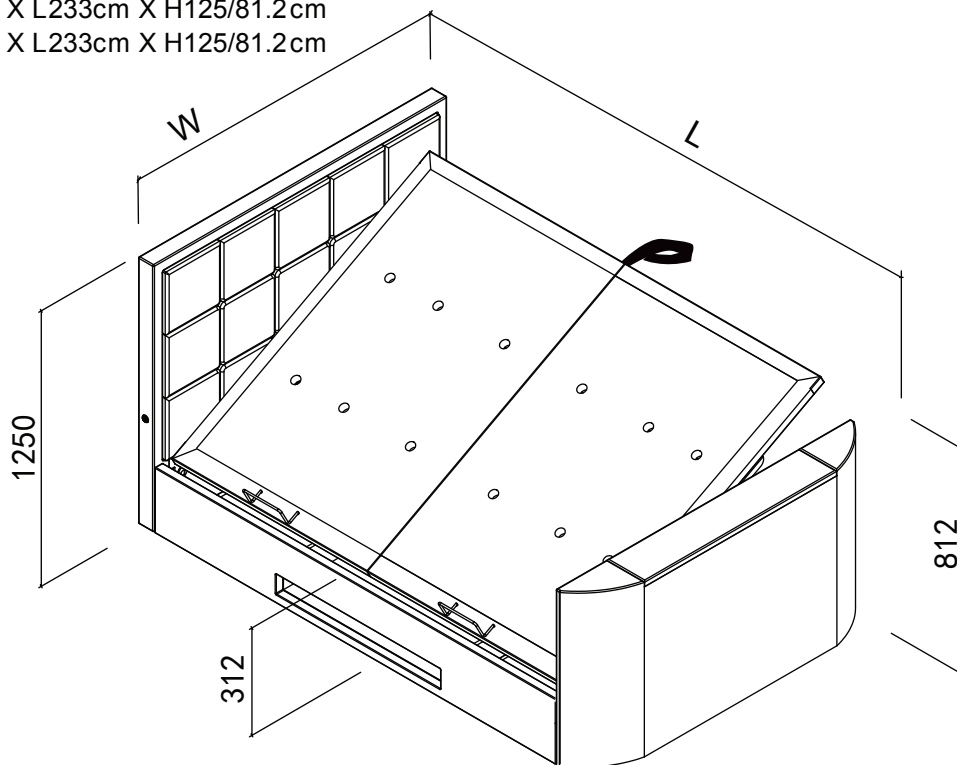
- ①. Disconnect all mains electric power to the bed, for at least 60 seconds.
- ②. Press UP or DOWN Button on Remote Control and keep holding button down, simultaneously re-connect mains electric power to bed keeping button down for at least a further 5 seconds. TV Lift unit receives signal from Remote Control and lift will begin to move UP or DOWN whichever direction is appropriate.
- ③. Re-connection is now completed.

Overall Dimensions

DOUBLE: W138.5 cm X L223cm X H125/81.2cm

KING: W153.5 cm X L233cm X H125/81.2cm

SUPER KING: W183.5 cm X L233cm X H125/81.2cm



Product Information

- Upholstered Bed conforms to BS EN 1725 & BS 5852.
- TV Lift system has a maximum load capacity of 14 Kg
- Compatible with slimline LED television with a screen size of 42".
- Maximum TV dimensions: W97 x H55 x D8cm

Care Instructions

- Avoid exposing the furniture to excessive heat or direct sunlight as this can cause cracking and deterioration of the colour.
- Periodically check & re-tighten any fastener.
- Periodically remove dust by using a light vacuum cleaner or if your bed is PU, use a soft damp cloth.
- Do not use silicone based furniture polish.
- Any spills should be removed immediately with a soft damp cloth.
- TAKE CARE WHEN MOVING THE FURNITURE AND NEVER DRAG THE PIECES ACROSS THE FLOOR, AS THIS WILL CAUSE DAMAGE TO THE JOINTS.

We cannot be held responsible for any damage caused to the TV, TV cabling or the TV Bed itself due to incompatibility of any additional equipment installed by the end-user or due to loose and poorly installed cables (see Step 11). Please read this Assembly Instruction carefully and follow the recommendations.

CE TV LIFT REF: LA08 CONFORMS TO STANDARD FOR UK & LED CONFORMS TO STD FOR UK (EMC, LVD & ROHS)

TV LIFT: EN 60335-1:2012+A11: 2014

EN 60950-1:2006+A11:2009+A1:2010

+A12:2011+A2: 2013

EN 301 489-1 V2.2.0: 2017

EN 301 489-3 V2.1.1: 2017

EN 55014-1:2006+A1:2009+A2:2011

EN 61000-3-2: 2014 EN 61000-3-3: 2013

EN 62233: 2008 EN 55014-2: 2015

EN 300 440 V2.1.1: 2017 EN 301 489-3

V2.1.1: 2017 EN 62479: 2010

EMC CERT NO. HTT170911240E

LVD CERT NO. HTT170911240L

ROHS CERT NO. HTT170911240R

POWER SUPPLY: FDD-009

EMC CERT NO. BST14010531Y-1EC-1

LVD CERT NO. BST14010531Y-1SC-2

ROHS CERT NO. BST14010531Y-1RC-4

DIRECTIVE: 2014/30/EU

DIRECTIVE: 2014/35/EU

DIRECTIVE: 2011/65/EU

DIRECTIVE: 2004/108/EC

DIRECTIVE: 2006/95/EC

DIRECTIVE: 2011/65/EU

Please dispose of all packaging safely.

General Care & Maintenance

Wipe clean with a slightly damp cloth.
Avoid the use of all household cleaners and abrasives.

Periodically check all screw & fixings to ensure they are secure.
When moving your product, carefully lift into place. Never drag or push the product across the floor as this will cause damage to the joints. If the product is used on hard flooring, such as wood or laminated floor, you must place some protection under the legs to stop the product from moving. If this is not adhered to, it could result in failure to the product that will invalidate the warranty.

For more information on cleaning and product care visit:
<https://www.happybeds.co.uk/help-and-advice>

Notes

We've tried to make this product as easy to assemble as possible. In the unlikely event that you have problems putting it together or have damaged or missing pieces, please contact us by visiting:
<https://www.happybeds.co.uk/customer-service>



www.happybeds.co.uk

