



## Assembly Instructions

# Montana 4ft6 & 5ft Metal Bed



### Important before assembly:

Read these instructions carefully before assembling or using the product.

Please check the contents of the boxes before attempting to assemble this product. The instructions will have a checklist of parts and fittings.

It would be sensible to lay a rug or a carpet on the floor where you intend to assemble the product, to avoid scratches and damaging the product or the floor.

Assemble the product as close to its intended final location/room as possible.

Do NOT use any power tools as this may damage the frame.

### Health & Safety:

This product or some parts of this product will be heavy. Please use an assistant when lifting.

Please keep small parts out of reach of children.

Always use on a level, even surface.

DO NOT jump on the product or any of its parts.

DO NOT use this product if any parts are missing, damaged or worn.

DO NOT use this product unless all fixings are secured.

Please keep these instructions for future reference.



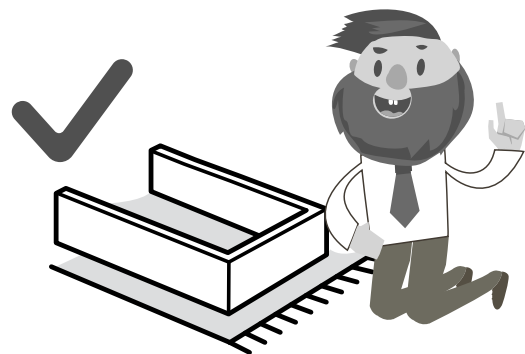
(Not metal)

These tools are not necessary, but may help to assemble certain parts of the product.

Do NOT use any power tools as this may damage the frame.



This product or some parts of this product will be heavy. Please use an assistant when lifting.



Never drag or push the pieces across a hard or stone floor as this will cause damage to the joints. Use a carpet or a rug for extra care.



If you have problems assembling or have damaged or missing pieces, please contact us by visiting:

<https://www.happybeds.co.uk/customer-service>

## ASSEMBLY INSTRUCTIONS

**IMPORTANT: READ THESE INSTRUCTIONS CAREFULLY BEFORE ASSEMBLING**

**PLEASE KEEP THESE INSTRUCTIONS FOR FUTURE REFERENCE.**

### **HEALTH & SAFETY:**

DO NOT jump on this bed frame.

DO NOT use this bed frame if any parts are missing, damaged or worn.

DO NOT use this bed frame unless all fixings are secured.

Please keep small parts out of reach of children.

Always use on a level, even surface.

**WARNING:** If this bed is placed on a non-carpeted floor you must place some protection under all legs to stop the bed frame from moving. If this is not adhered to there is no guarantee if the bed frame collapses.

### **CARE & MAINTENANCE:**

Assemble in the room of use.

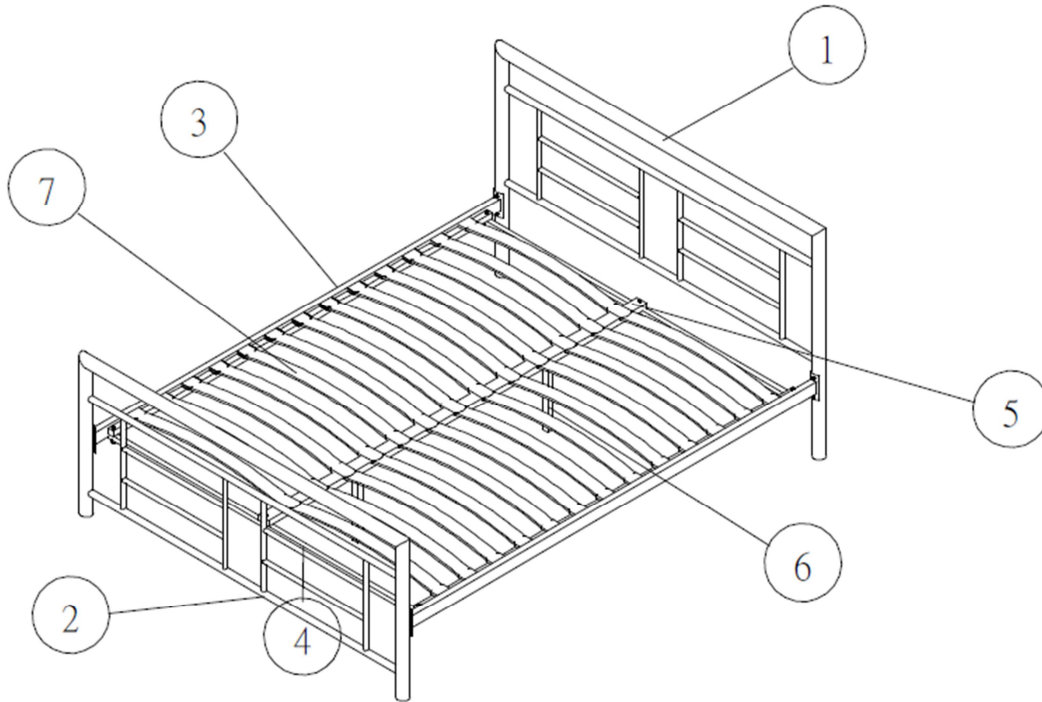
Periodically check all screws & fixings to ensure they are secure.


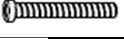


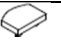



DO NOT push the bed frame as this will damage the legs.

Always lift the bed with two people to reposition.

Keep any sharp objects away from the frame.

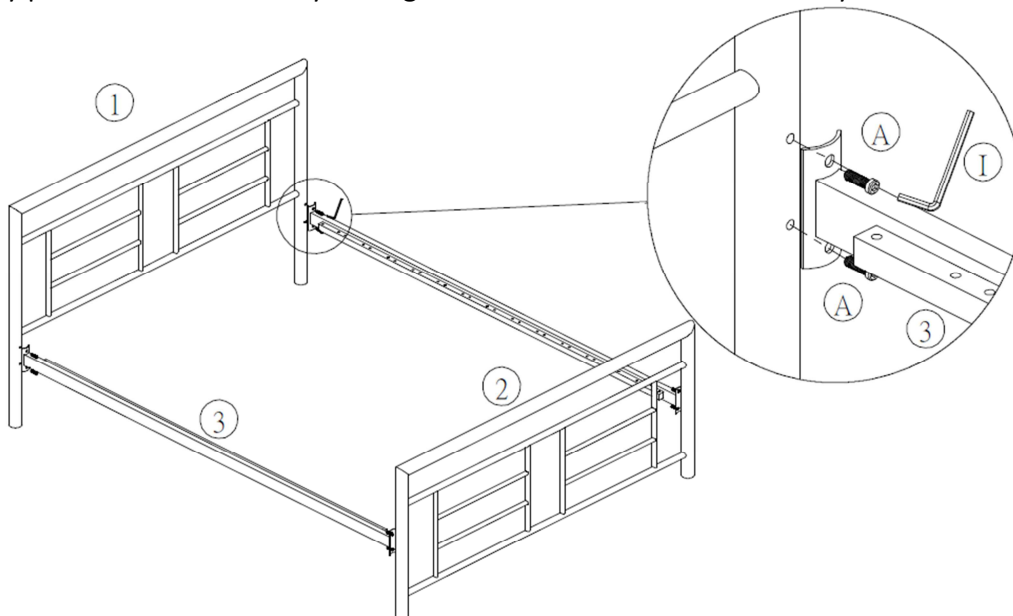




Parts List				Hardware List			
Part	Description	Box	Qty	Part	Description	Box	Qty
1	Headend	1	1	A	M8 x 25 mm JCBC Screw 	1	8
2	Footend	1	1	B	¼ " x 60 mm JCBC Screw 	2	6
3	Side Rail	2	2	C	¼ " x 15 mm JCBC Screw 	2	4
4	Cross Bar	2	2	D	Hex Nut 	2	6
5	Centre Rail	2	1	E	Double Slat Cap 	2	13
6	Support Leg	2	2	F	Single Slat Cap 	2	26
7	Slat	3	26	G	Spanner 	2	1
				H	M4 Allen Key 	2	1
				I	M5 Allen Key 	1	1

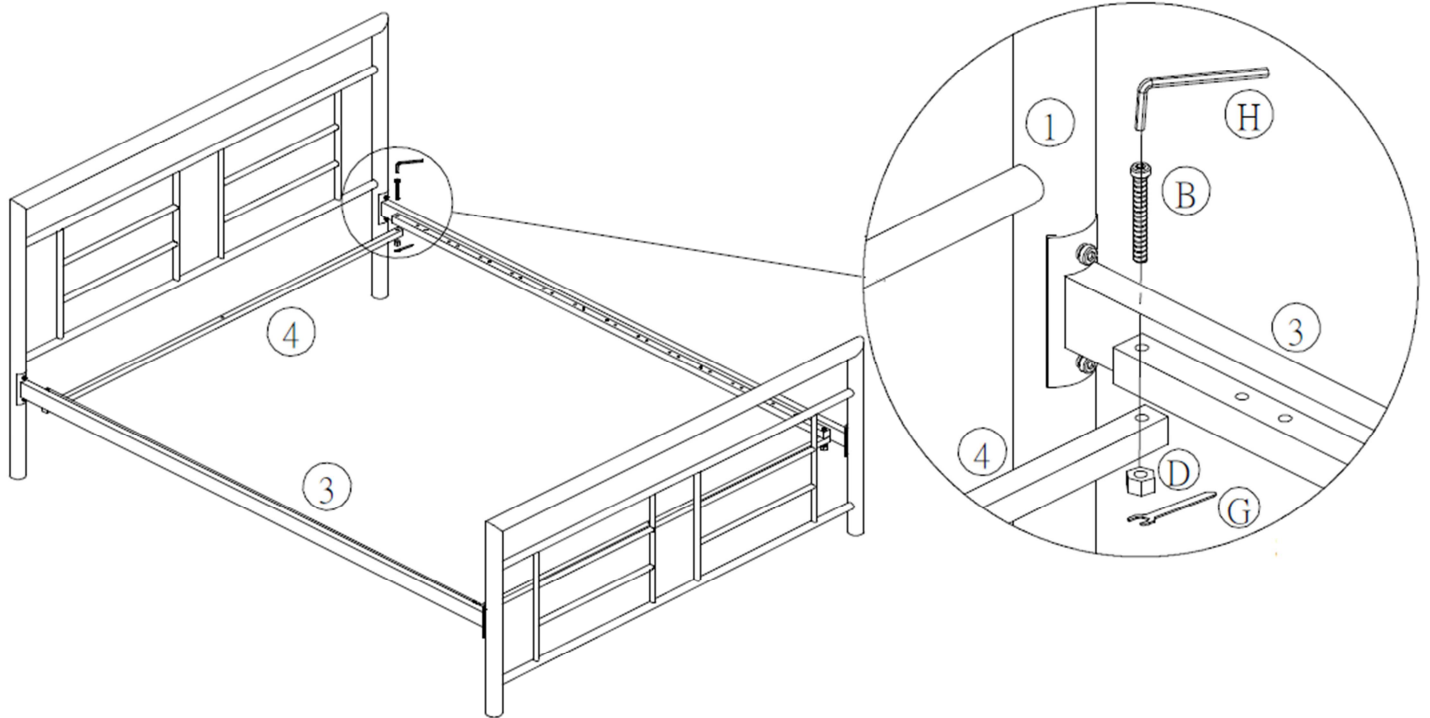
**Step 1:** Fix the side rails (3) to the headend (1) and footend (2) using hardware parts A and I but do not fully tighten the screws at this point.

**DO NOT** use any power tools as this may damage the frame and will invalidate any claim.



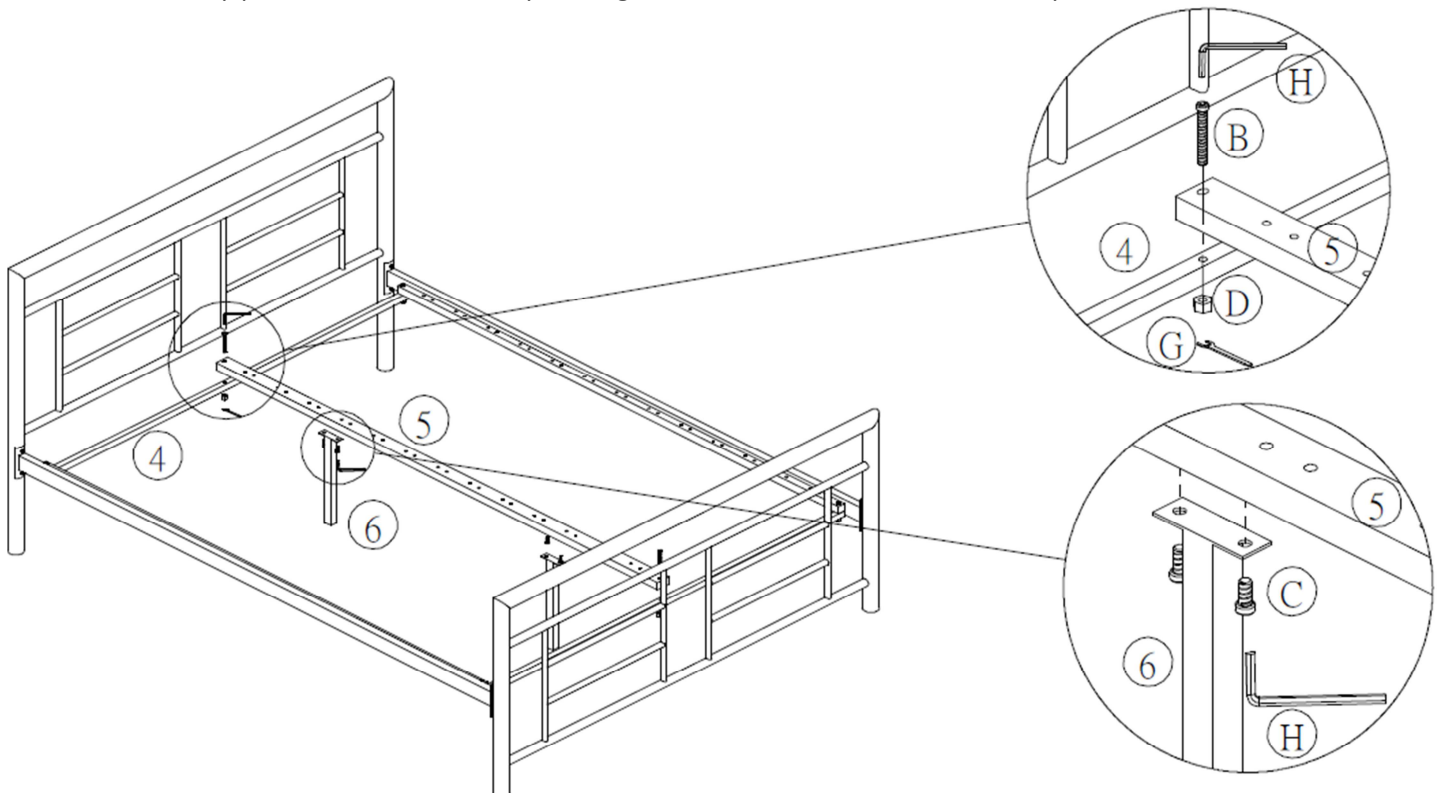
Step 2: Attach the cross bars (4) to the side rails (3) using hardware parts B, D, G and H. Fully tighten the screws from step one at this point.

DO NOT use any power tools as this may damage the frame and will invalidate any claim.



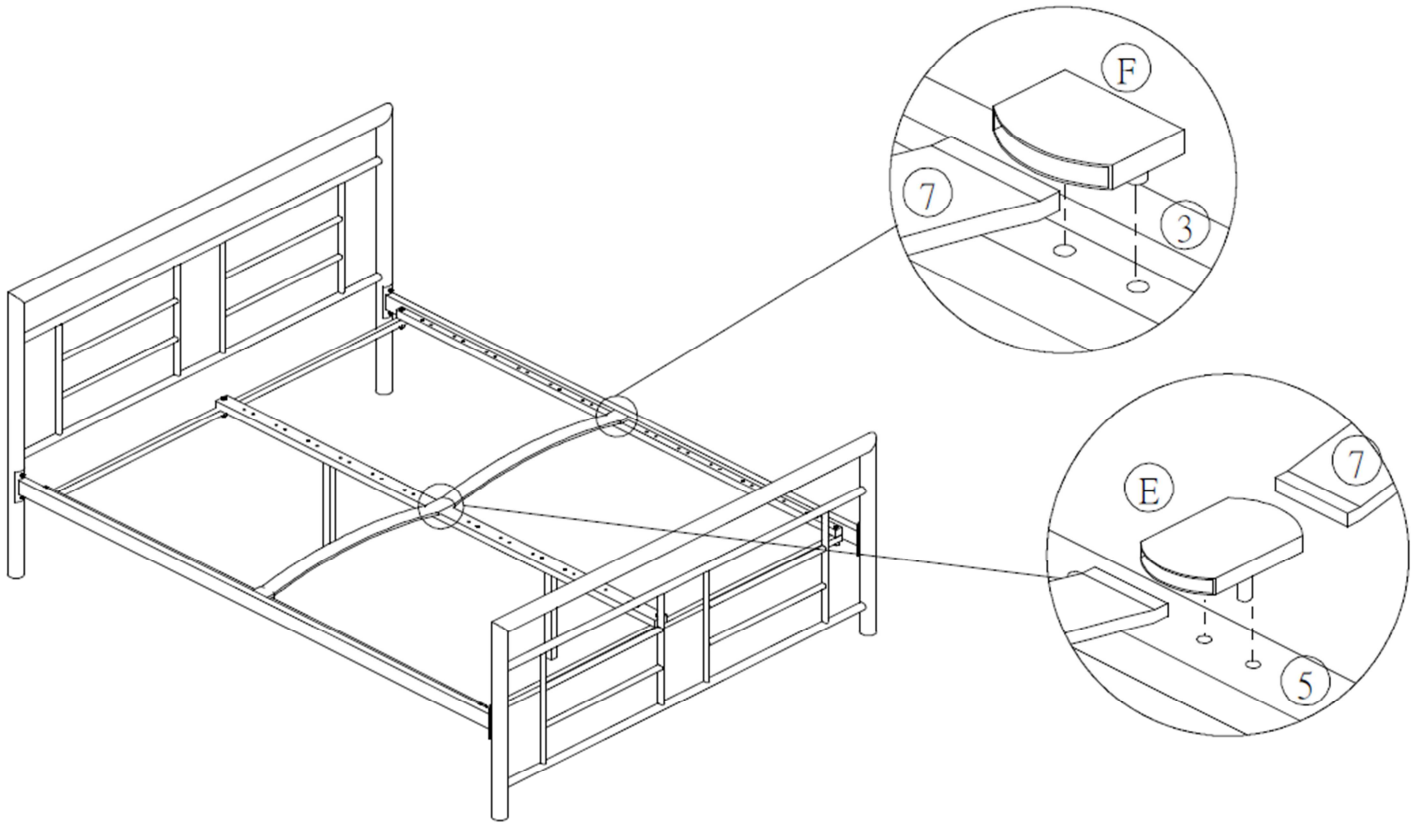
Step 3: Attach the support legs (6) to the centre rail (5) using hardware parts C and H, then attach the rail to the cross bars (4) using hardware parts B, D, G and H.

DO NOT use any power tools as this may damage the frame and will invalidate any claim.



Step 4: Join the slats (7) together using hardware parts E and F and press firmly into the centre rail (5) and side rails (3).

DO NOT use any power tools as this may damage the frame and will invalidate any claim.



Please dispose of all packaging safely.

## General Care & Maintenance

Wipe clean with a slightly damp cloth.  
Avoid the use of all household cleaners and abrasives.

Periodically check all screw & fixings to ensure they are secure.  
When moving your product, carefully lift into place. Never drag or push the pieces across the floor as this will cause damage to the joints and could result in failure to the product that will invalidate the warranty.

For more information on cleaning and product care visit:  
<https://www.happybeds.co.uk/help-and-advice>

## Notes

We've tried to make this product as easy to assemble as possible. In the unlikely event that you have problems putting it together or have damaged or missing pieces, please contact us by visiting:

<https://www.happybeds.co.uk/customer-service>



[www.happybeds.co.uk](http://www.happybeds.co.uk)

