

## **Assembly Instructions**

### **Important before assembly:**

Read these instructions carefully before assembling or using the product.

Please check the contents of the boxes before attempting to assemble this product. The instructions will have a checklist of parts and fittings.

Assemble the product as close to its intended final location/room as possible.

### **Health & Safety:**

This product or some parts of this product will be heavy. Please use an assistant when lifting.

Please keep small parts out of reach of children.

Always use on a level, even surface.

DO NOT jump on the product or any of its parts.

DO NOT use this product if any parts are missing, damaged or worn.

DO NOT use this product unless all fixings are secured.

**Further instructions are on the following pages.**

Please keep these instructions for future reference.



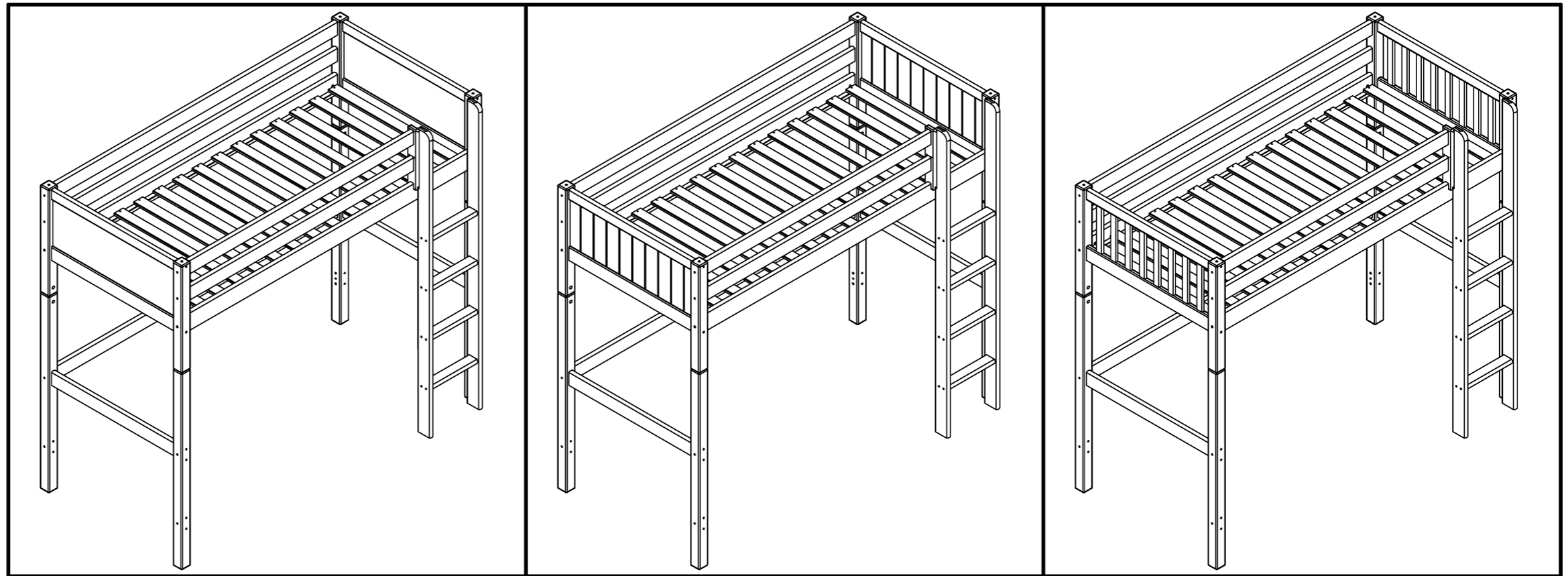
This product or some parts of this product will be heavy. Please use an assistant when lifting.



Never drag or push the pieces across a hard or stone floor as this will cause damage to the joints. Use a carpet or a rug for extra care.



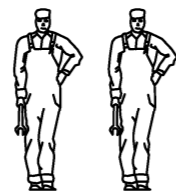
If you have problems assembling or have damaged or missing pieces, please contact our customer services (details at the back of these instructions)



Before assembling this product, please ensure that all the components supplied comply with the list on this page. All Screw-type fittings can be tightened with this tool.

Avant de commencer l'assemblage, veuillez contrôler si tous les objets indiqués sont présents. Tous les vis peuvent être serrés par cet outil.

Bevor Sie mit dem Aufbau beginnen, kontrollieren Sie ob alle auf der Zeichnung angegebenen Teile vorhanden sind. Bitte verwenden Sie zur Montage einen Kreuzschraubzieher und den beiliegenden Innensechskantschlüssel.

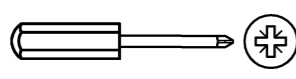
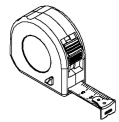


Ware-nr.  
Part no.  
Réf No

Stck.  
Qty.  
Qté.

Siehe Bild-nr.  
See picture no.  
Image no

Mass  
Dim.  
Dim.



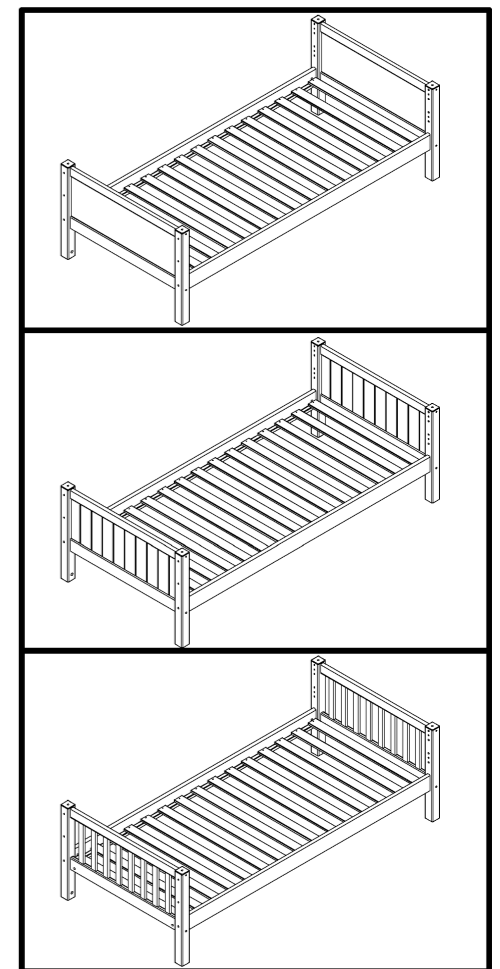
12-02603182-40 4 stck/pcs.  A 318x65x26	12-02618331-40 2 stck/pcs.  D 1833x89x26	12-02619676-40 3 stck/pcs.  E 1571x89x26	12-06311863-40 2 stck/pcs.  G 1186x63x63	12-06311864-40 2 stck/pcs.  H 1186x63x63	3938-000081-2 28 stck/pcs.  Z6 ø8 mm.	3938-00010-2 12 stck/pcs.  Z7 ø10 mm.
12-02603611-40 1 stck/pcs.  B 361x65x26	12-02615712-40 2 stck/pcs.  E 1571x89x26	3930-10050 20 stck/pcs.  Z2 ø10x50 mm.	3909-70100 16 stck/pcs.  Z3 ø7x100 mm.	3901-40030 6 stck/pcs.  Z4 ø4x30 mm.	3938-00016-2 4 stck/pcs.  Z8 ø16 mm.	3903-40025 4 stck/pcs.  Z9 ø4x25 mm.
12-02608634-40 2 stck/pcs.  C 863x89x26	3922-10028 4 stck/pcs.  Z14 M10/ø15x28 mm.	3909-70060 18 stck/pcs.  Z15 ø7x60 mm.	3934-10115 4 stck/pcs.  Z16 M10/ø10x115 mm.	3933-15028 4 stck/pcs.  Z17 ø15x28 mm.	3901-30020 2 stck/pcs.  Z18 ø3x20 mm.	
4007-014 2 stck/pcs.  Z12 15,5x3 mm.	4008-021 4 stck/pcs.  Z13 20x20x16x2 mm.	3909-70060 18 stck/pcs.  Z15 ø7x60 mm.	3934-10115 4 stck/pcs.  Z16 M10/ø10x115 mm.	3933-15028 4 stck/pcs.  Z17 ø15x28 mm.	3901-30020 2 stck/pcs.  Z18 ø3x20 mm.	

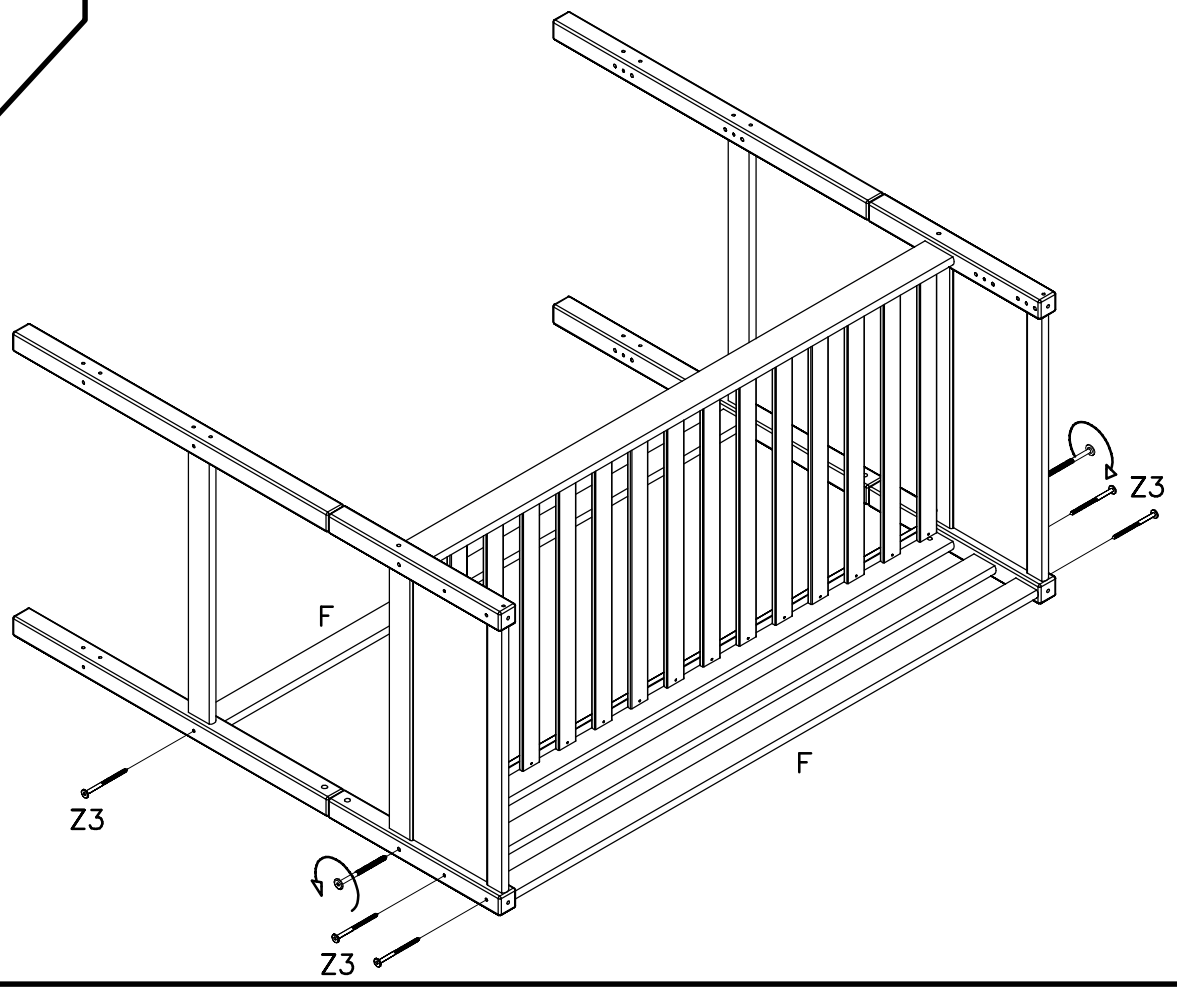
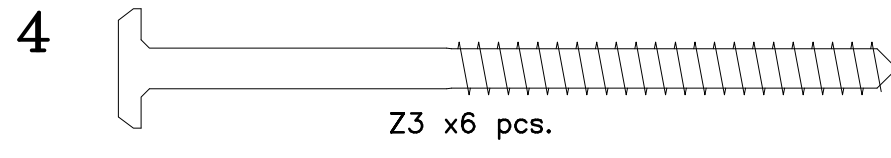
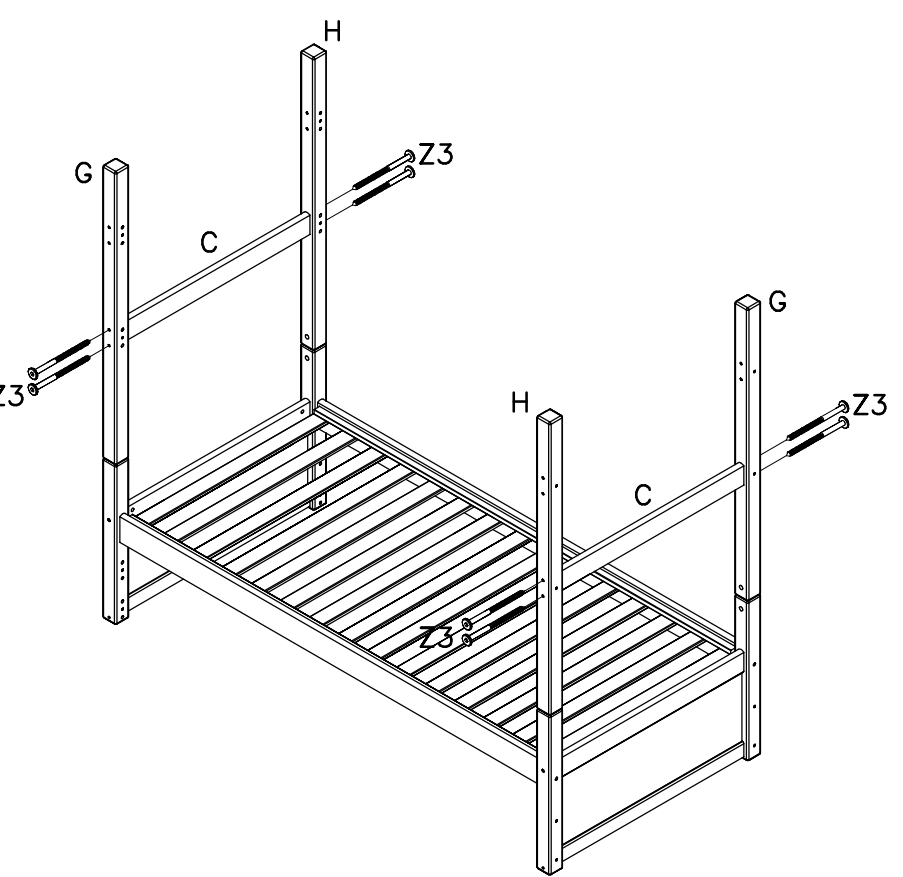
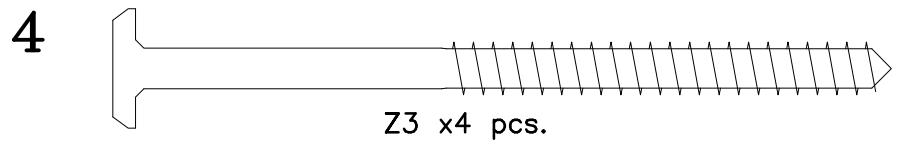
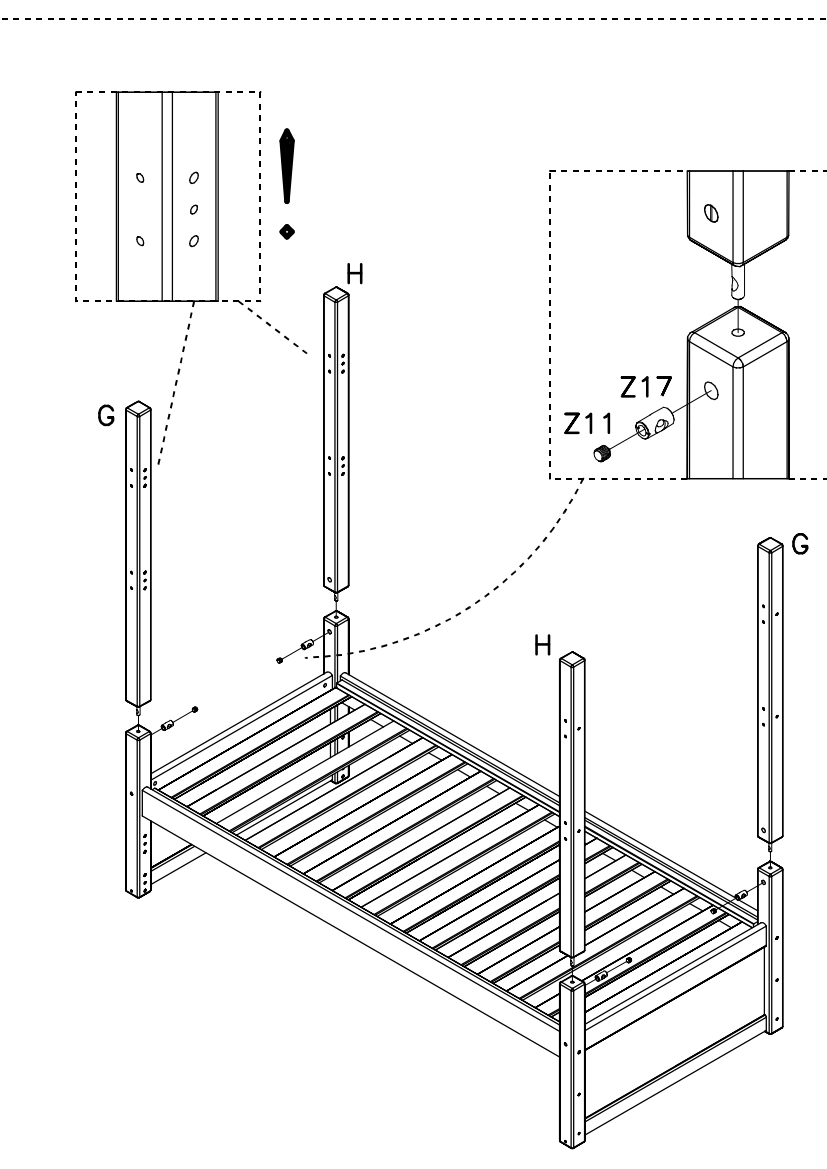
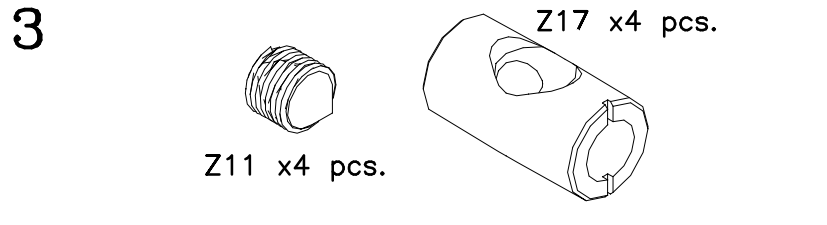
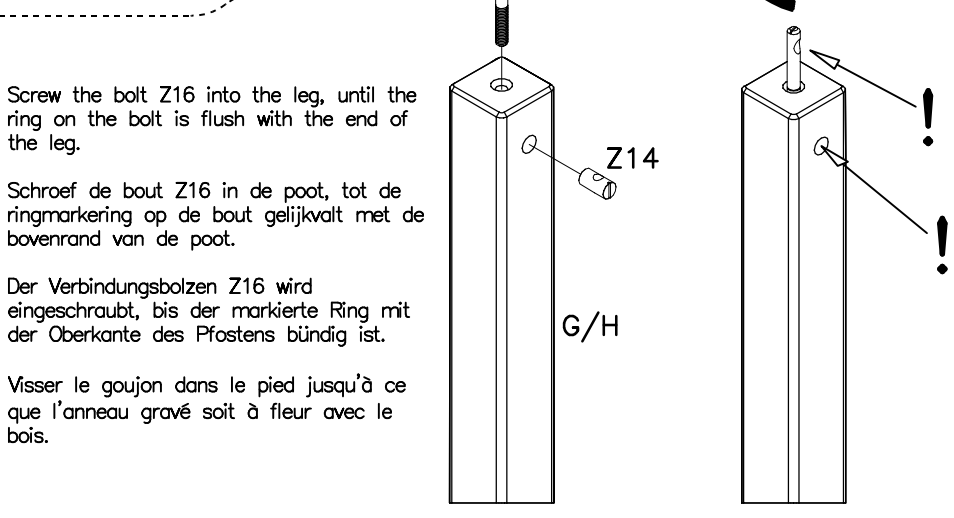
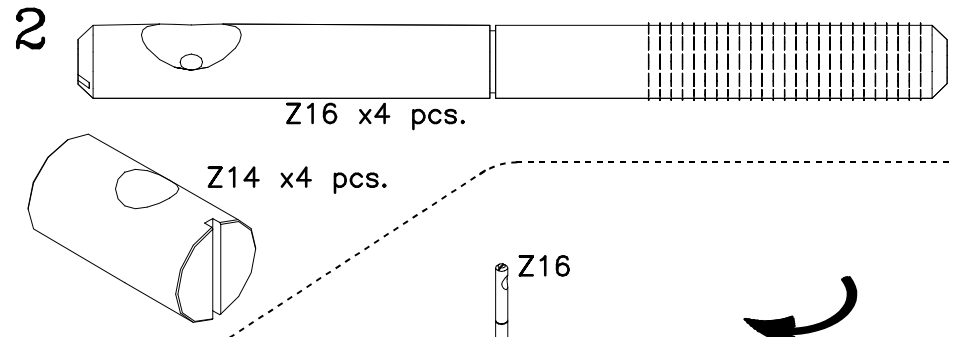
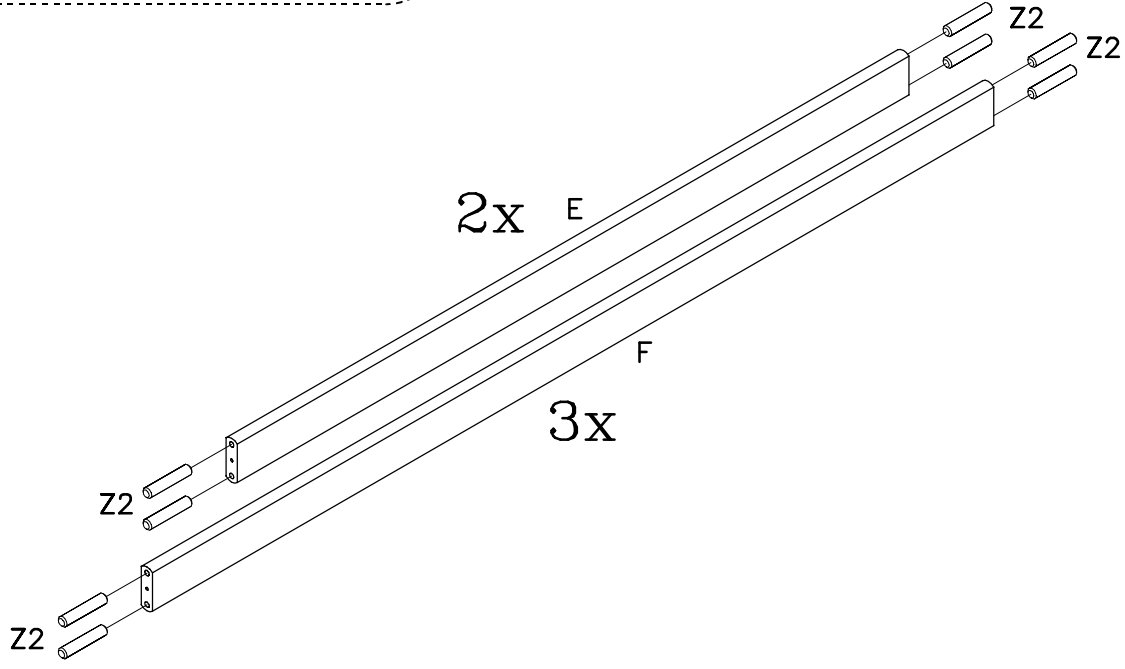
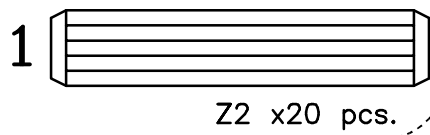
See assembly instruction in box no. 80-20101-40

Voir notice de montage dans la caisse no. 80-20101-40

Siehe Aufbauanleitung im karton no. 80-20101-40

Zie voor de montage-instructie pakketnr. 80-20101-40





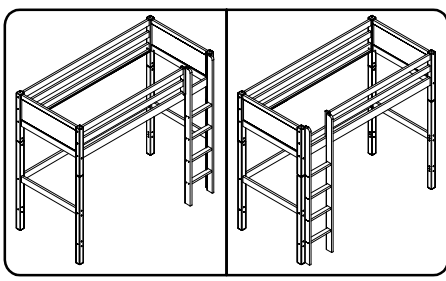
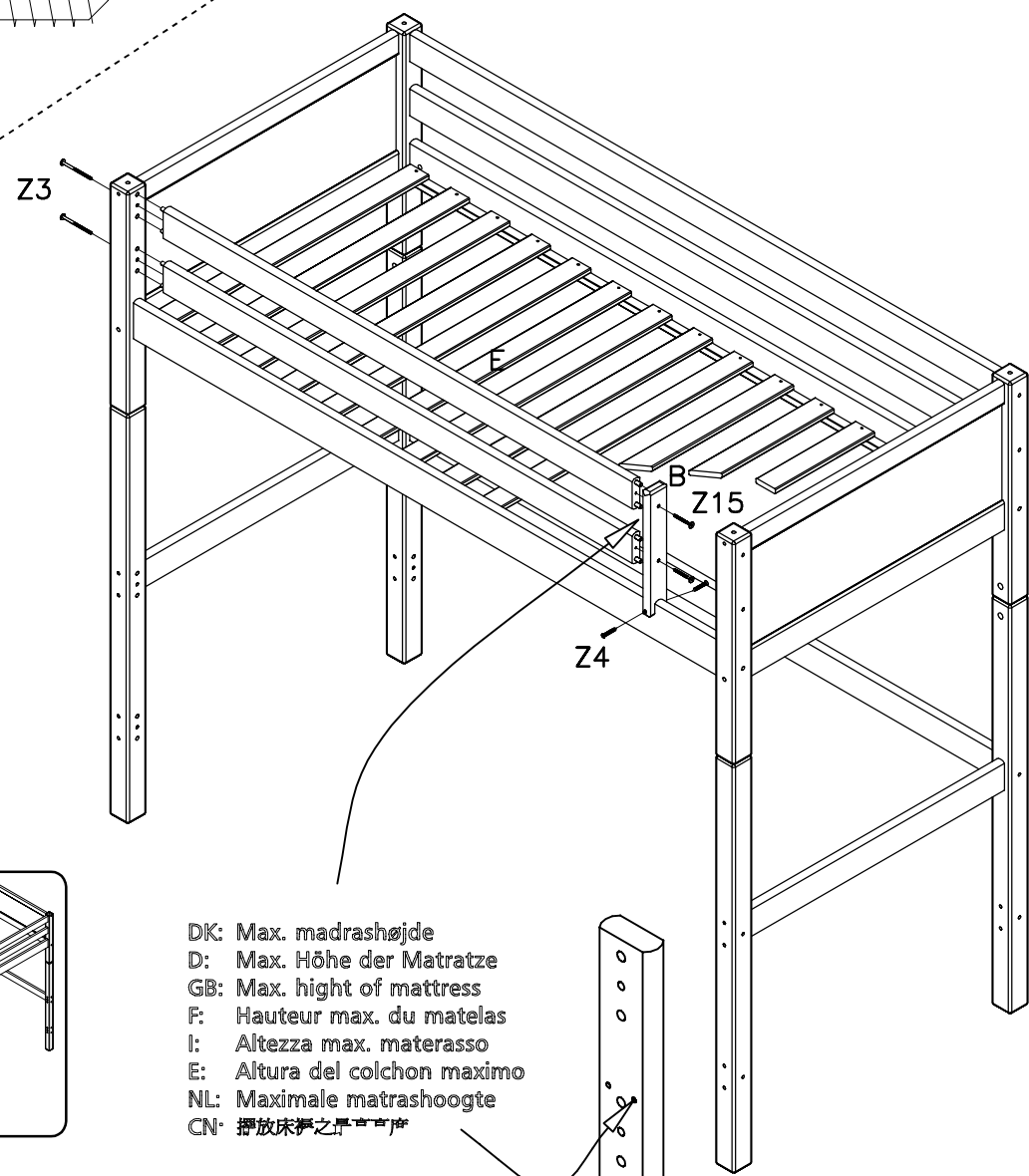
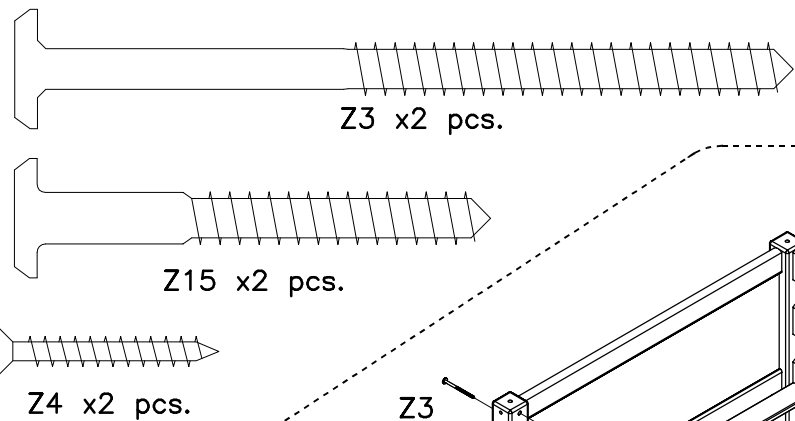
If the leg is loose after assembly, loosen the screw Z11 slightly, until the lower leg can be turned 1 time around clockwise. Then tighten the Z11 screw again.

Indien de poot na montage niet vast genoeg zit, dient u schroef Z11 iets los te draaien, tot de onderste poot 1 keer rechtsom gedraaid kan worden. Daarna kunt u schroef Z11 weer vastschroeven.

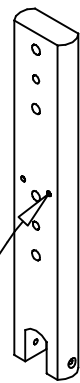
Wenn die Pfosten nicht fest genug angezogen sind, muss die Schraube Z11 leicht gelöst werden, bis der untere Pfosten 1 Mal rechts herum gedreht werden kann. Dann muss die Schraube Z11 wieder gespannt werden.

Si les deux montants de pied ne sont pas suffisamment serrés, il convient de desserrer légèrement la vis Z11, jusqu'à pouvoir tourner la partie inférieure du pied 1 fois dans le sens des aiguilles d'une montre. Ensuite reserrer la vis Z11.

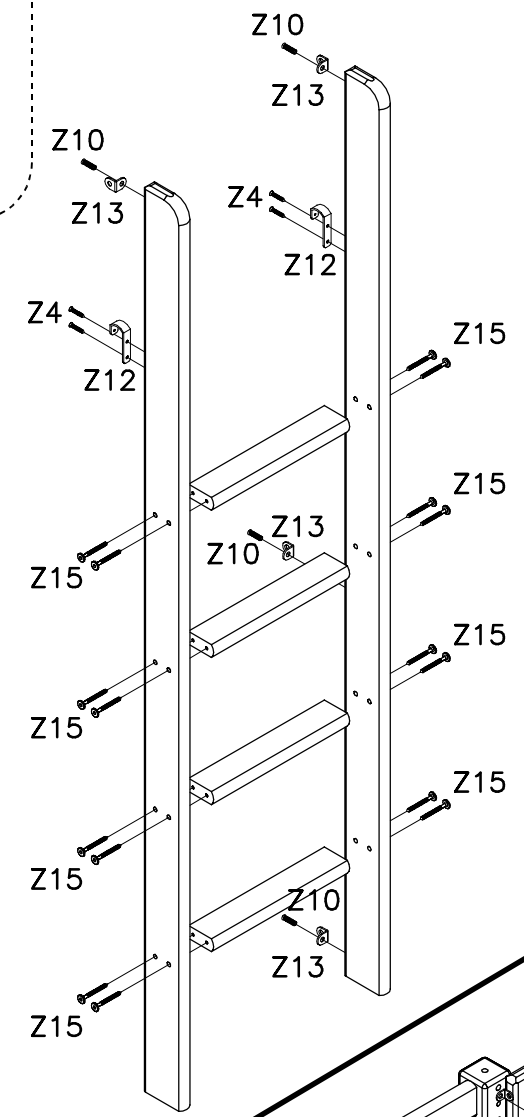
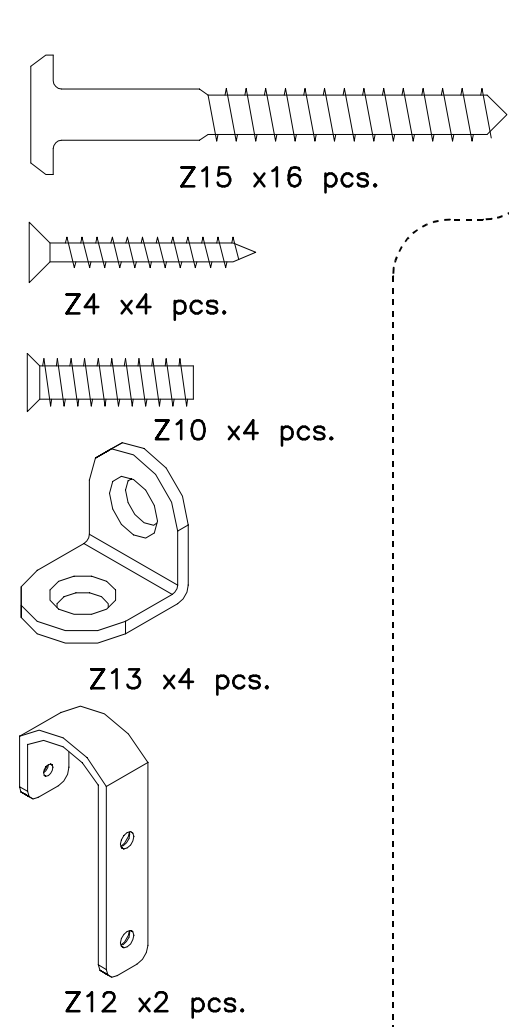
6



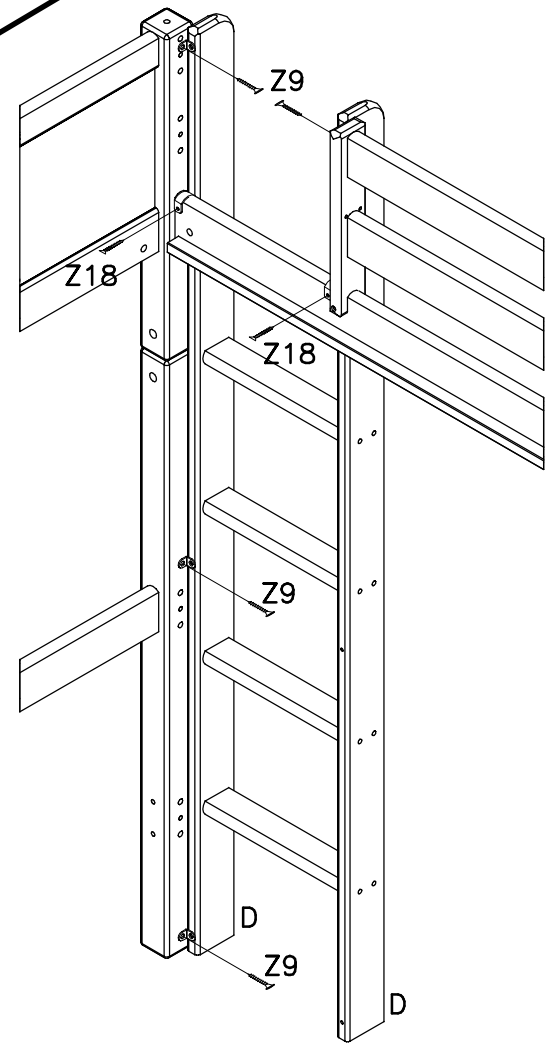
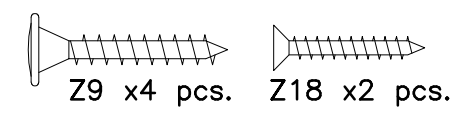
DK: Max. madrashøjde  
 D: Max. Höhe der Matratze  
 GB: Max. hight of mattress  
 F: Hauteur max. du matelas  
 I: Altezza max. materasso  
 E: Altura del colchon maximo  
 NL: Maximale matrashoogte  
 CN: 擲放床褥之最大高度



7



8



Please dispose of all packaging safely.

## General Care & Maintenance

Wipe clean with a slightly damp cloth.  
Avoid the use of all household cleaners and abrasives.

Periodically check all screw & fixings to ensure they are secure.

When moving your product, carefully lift into place. Never drag or push the product across the floor as this will cause damage to the joints. If the product is used on hard flooring, such as wood or laminated floor, you must place some protection under the legs to stop the product from moving. If this is not adhered to, it could result in failure to the product that will invalidate the warranty.

For more information on cleaning and product care visit:  
<https://www.happybeds.co.uk/help-and-advice>

## Notes

In the unlikely event that you have problems putting this product together or have damaged or missing parts, please contact us by visiting:  
<https://www.happybeds.co.uk/customer-service>