

Assembly Instructions

Important before assembly:

Read these instructions carefully before assembling or using the product.

Please check the contents of the boxes before attempting to assemble this product. The instructions will have a checklist of parts and fittings.

Assemble the product as close to its intended final location/room as possible.

Health & Safety:

This product or some parts of this product will be heavy. Please use an assistant when lifting.

Please keep small parts out of reach of children.

Always use on a level, even surface.

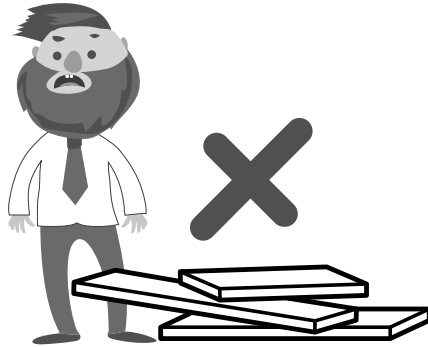
DO NOT jump on the product or any of its parts.

DO NOT use this product if any parts are missing, damaged or worn.

DO NOT use this product unless all fixings are secured.

Further instructions are on the following pages.

Please keep these instructions for future reference.



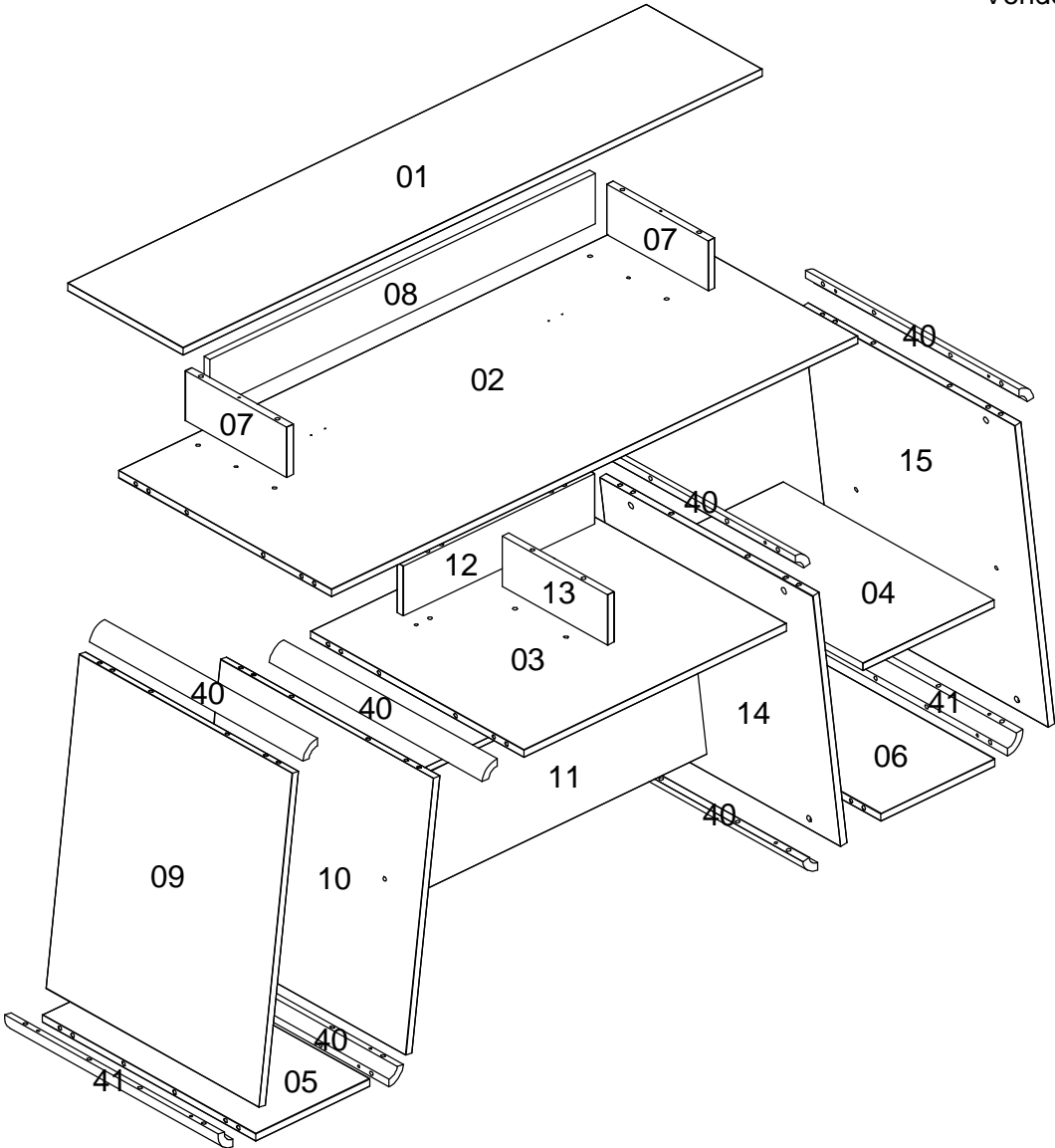
This product or some parts of this product will be heavy. Please use an assistant when lifting.



Never drag or push the pieces across a hard or stone floor as this will cause damage to the joints. Use a carpet or a rug for extra care.



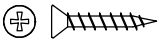


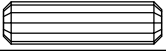

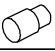




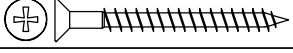




If you have problems assembling or have damaged or missing pieces, please contact our customer services (details at the back of these instructions)



Parts List			
Part	Description	Box	Qty
01	Base Monitor	1	1
02	Top	1	1
03	Base	1	1
04	Movel Shelf	1	1
05	Bottom Left Base	1	1
06	Bottom Right Base	1	1
07	Left/Right Side Base Monitor	1	2
08	Tray Monitor Base	1	1
09	Left Side	1	1
10	Left Division	1	1
11	Coast	1	1
12	Tray Rear	1	1
13	Tray Top	1	1
14	Right Division	1	1
15	Right Side	1	1
40	Curved Frame	1	6
41	Curved Frame	1	2

Hardware List

Part	Description		Qty
A	5 x 60 mm Screw		1
A1	Glue		4
A8	Flat head screw		8
B3	Bushing		1
B5	Metalic angle plates		10
E	8 x 30 mm Wooden Dowel		80
E9	Strap		1
E3	Shelf Bracket		4
J	Simple Minifix Screw		34
L	Cam Lock		34
L4	Plastic Foot		8
M	Bore patch adhesive		16
O	4,5 x 45 mm Screw		4
S	3,5 x 14 mm Screw		41
Z	Plastic hole plugs		4

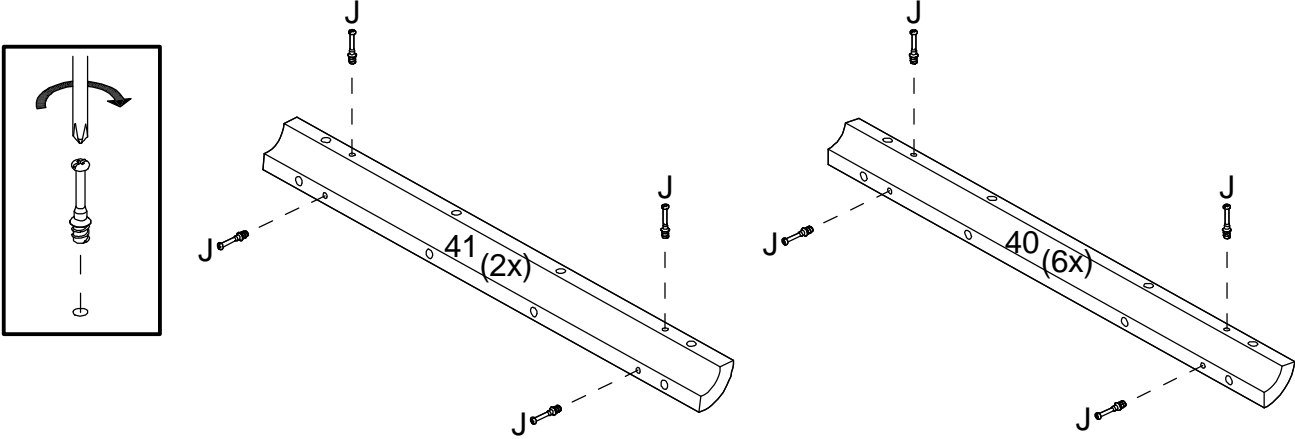
**** You will need a small mallet and a screwdriver for assembly.**

**** Some screws and wooden dowel may remain.**

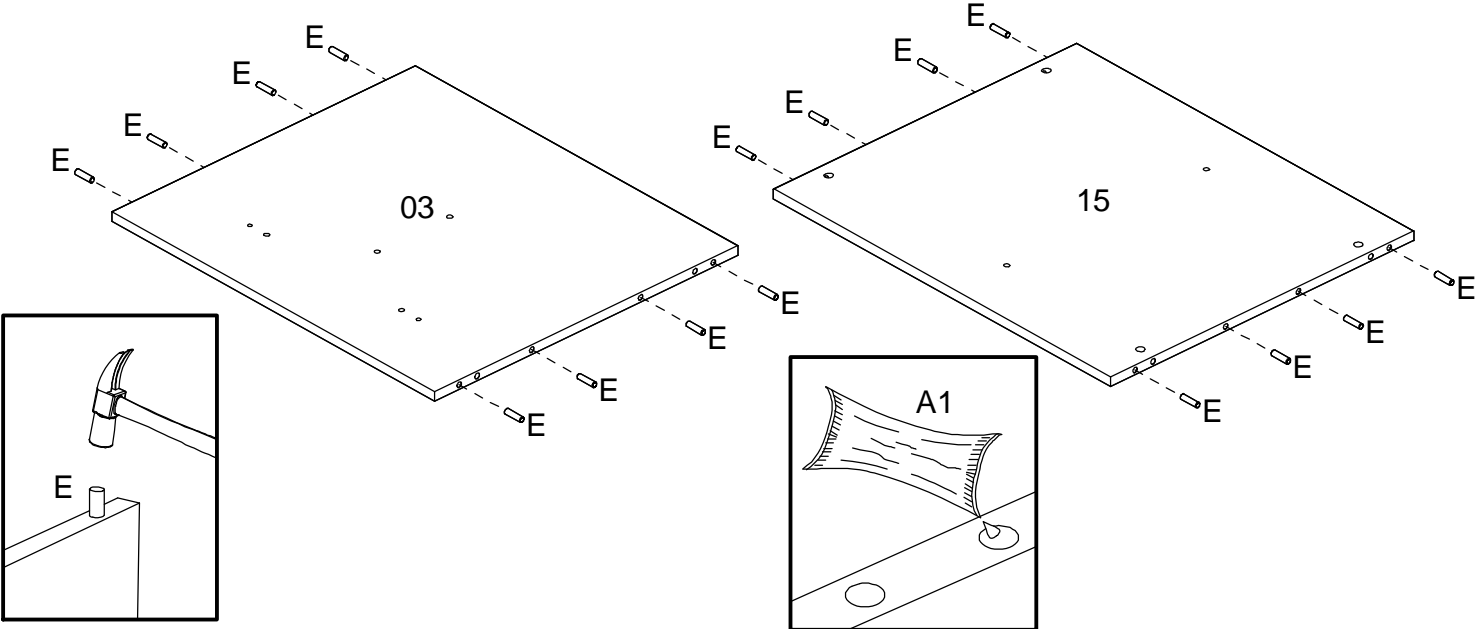
**** Wall plug and screw is supplied to attach strap to the wall.**



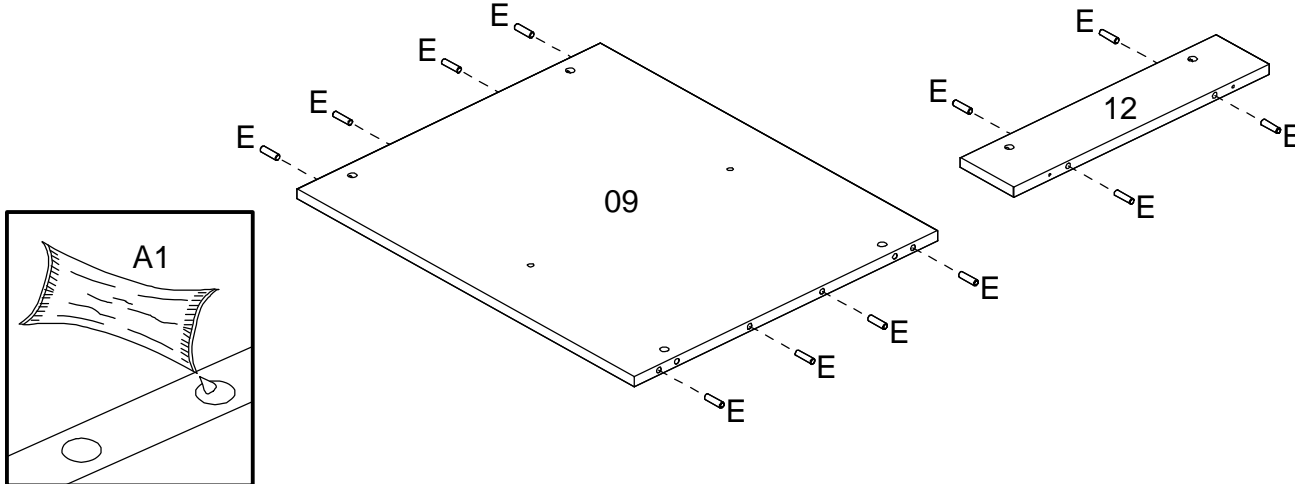
Step 1: Insert hardware part J with a screwdriver (not provided).
DO NOT use any power tools as this may damage the frame and will invalidate any claim.



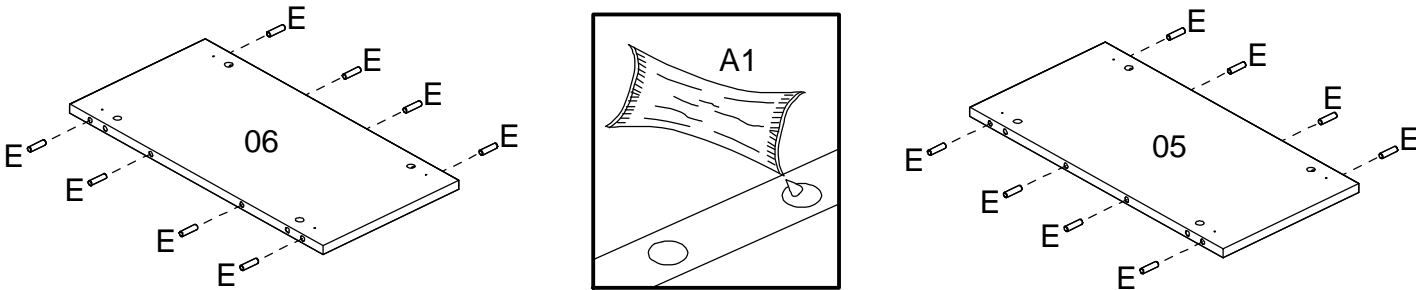
Step 2: Insert hardware part E using hardware part A1 and a small mallet (not provided).
DO NOT use any power tools as this may damage the frame and will invalidate any claim.



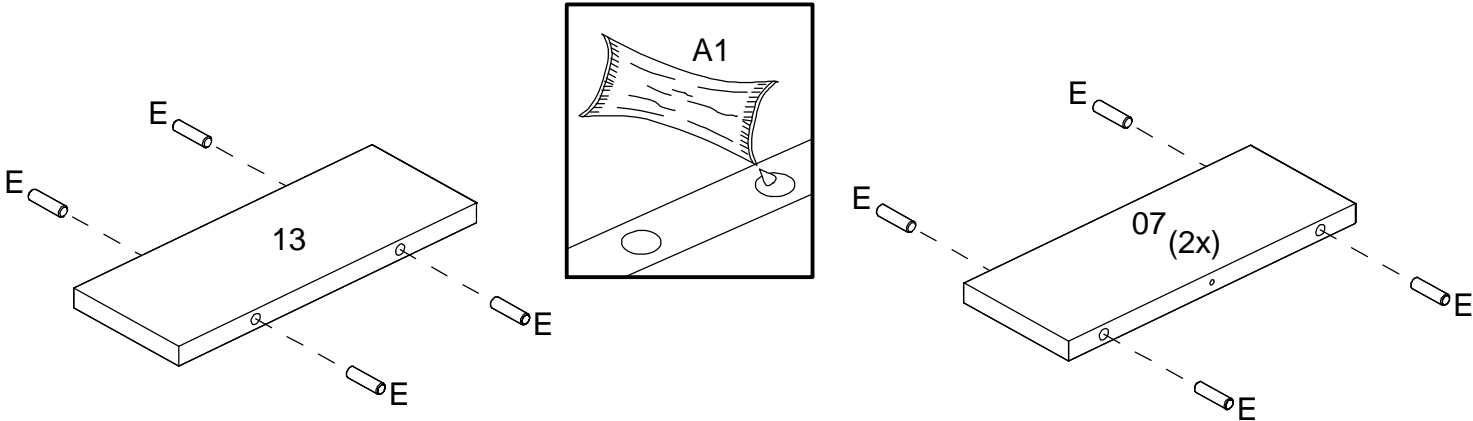
Step 3: Insert hardware part E using hardware part A1 and a small mallet (not provided).
DO NOT use any power tools as this may damage the frame and will invalidate any claim.



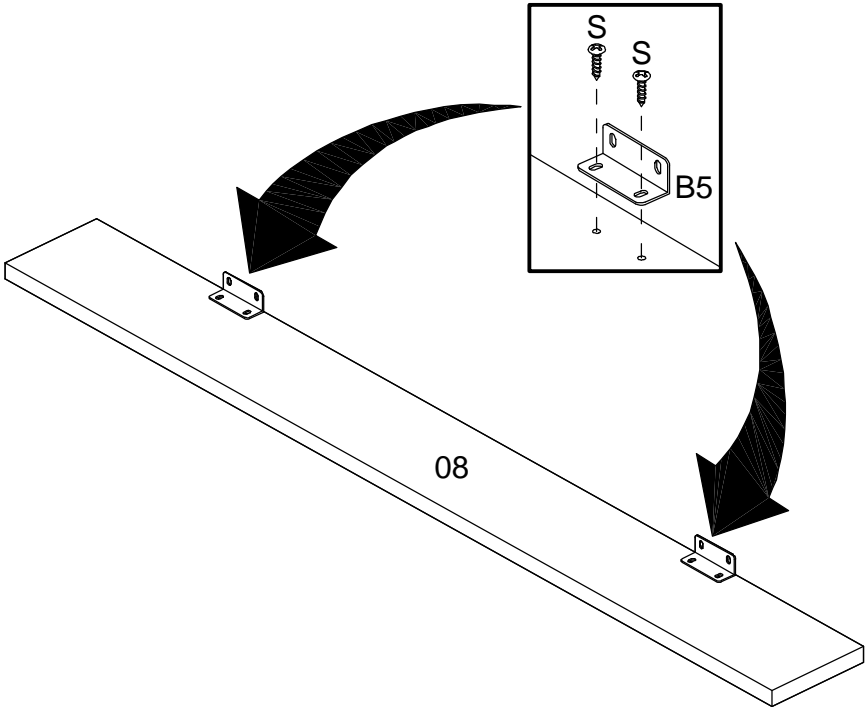
Step 4: Insert hardware part E using hardware part A1 and a small mallet (not provided).
DO NOT use any power tools as this may damage the frame and will invalidate any claim.



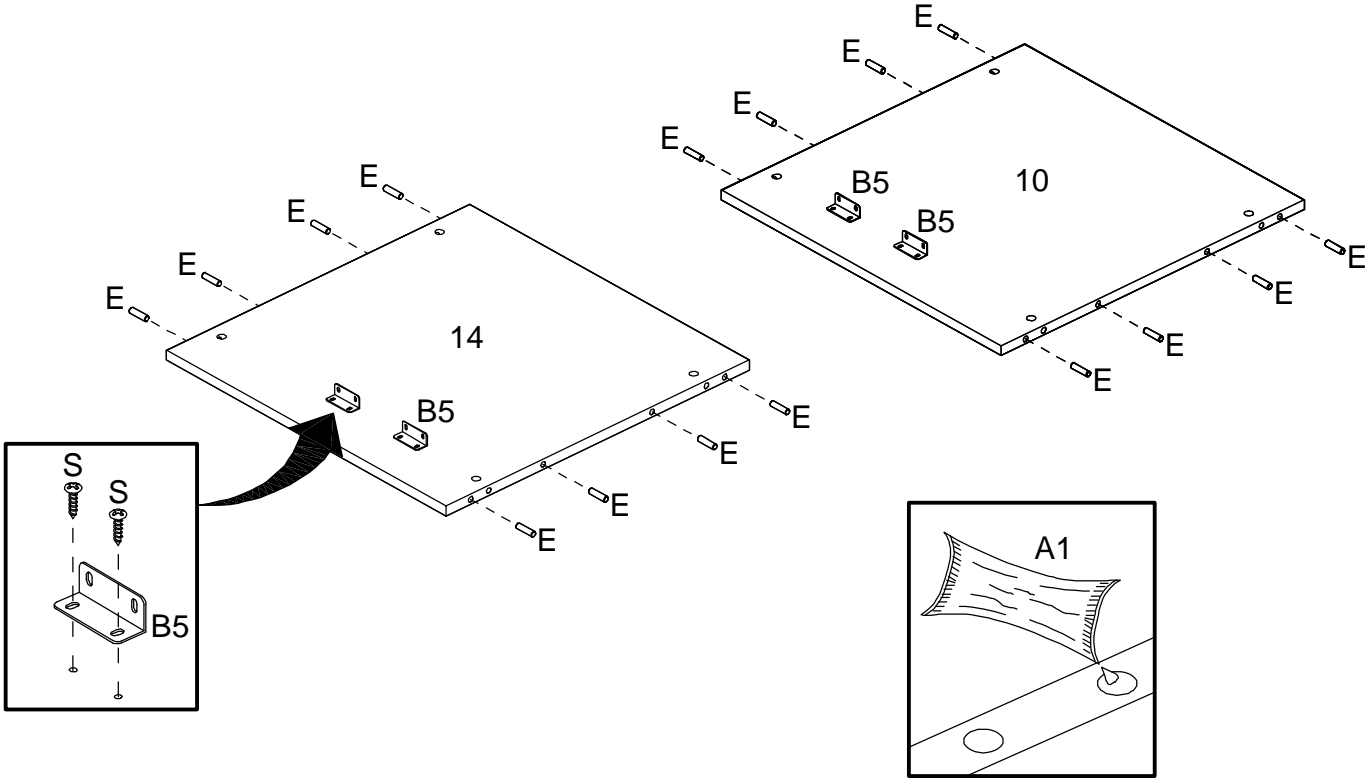
Step 5: Insert hardware part E using hardware part A1 and a small mallet (not provided).
DO NOT use any power tools as this may damage the frame and will invalidate any claim.



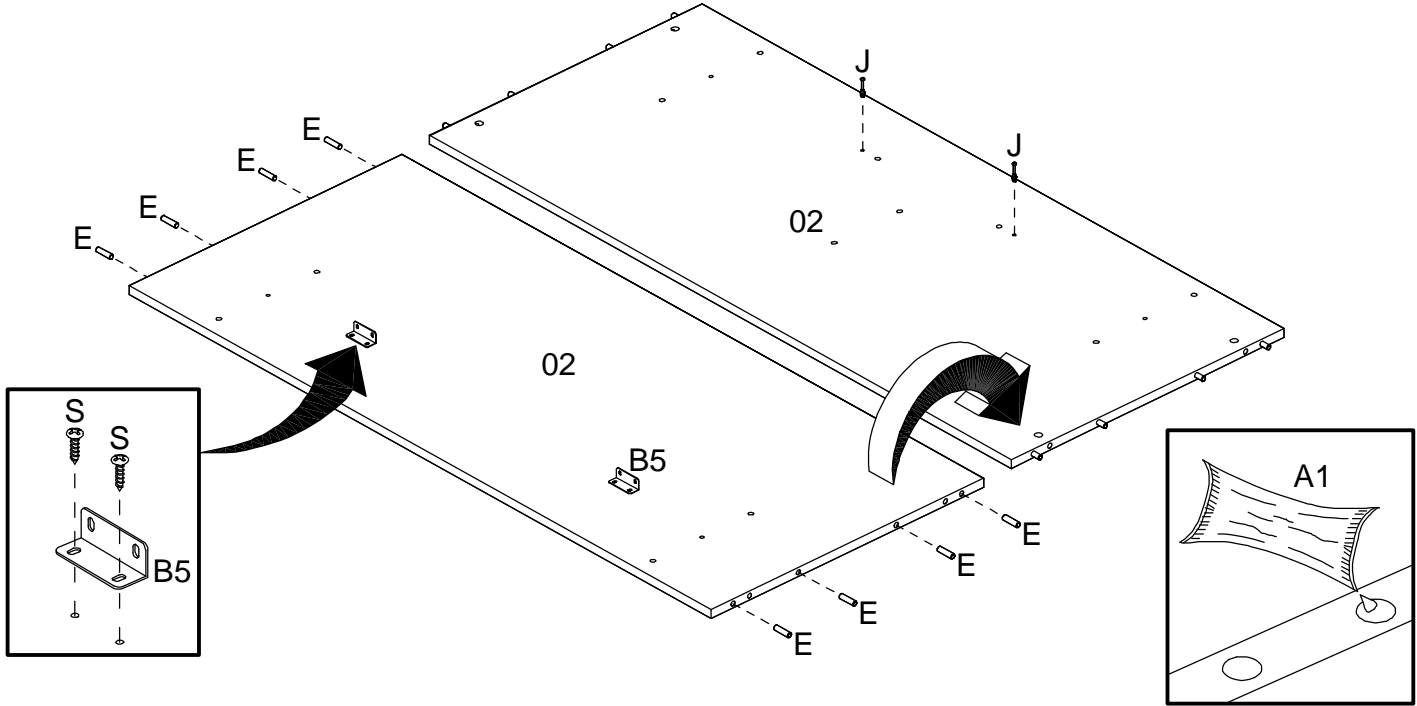
Step 6: Insert hardware part B5 using hardware part S and screwdriver (not provided).
DO NOT use any power tools as this may damage the frame and will invalidate any claim.



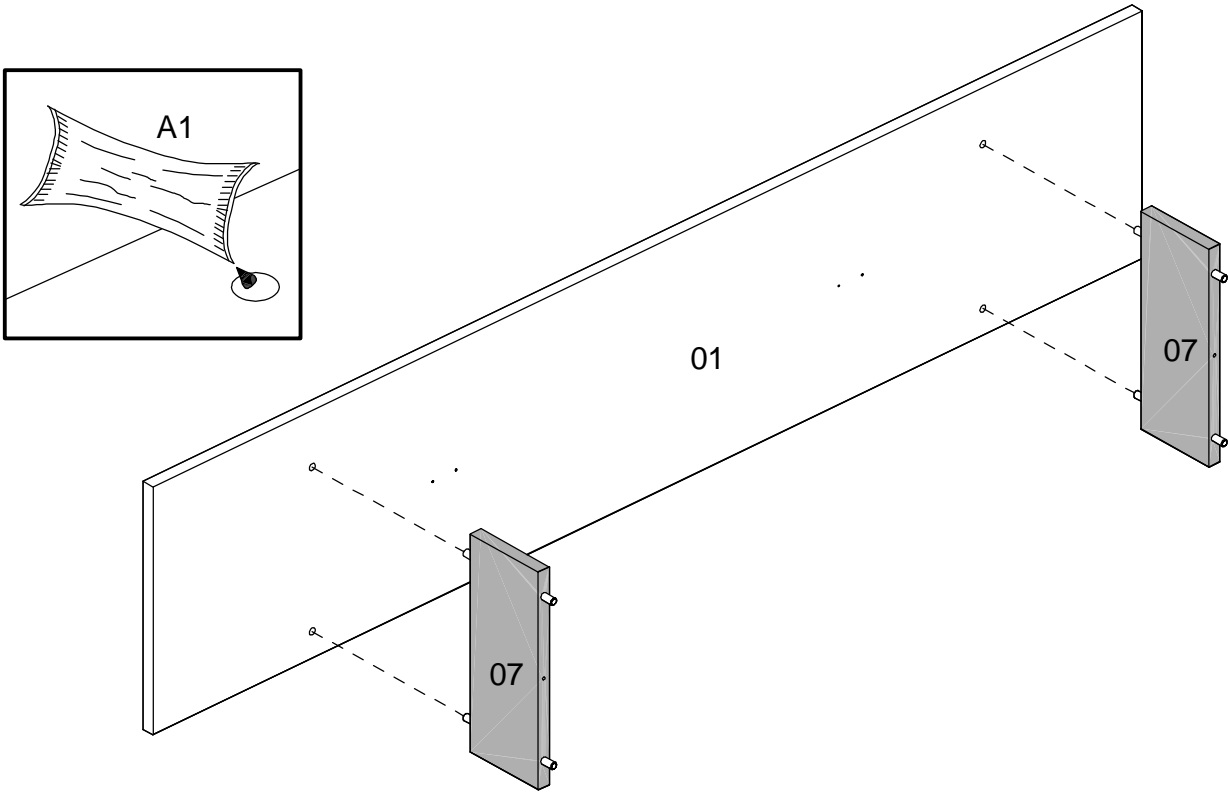
Step 7: Insert hardware part E using hardware part A1 and a small mallet (not provided). Then Insert hardware part B5 using hardware part S and screwdriver (not provided). **DO NOT use any power tools as this may damage the frame and will invalidate any claim.**



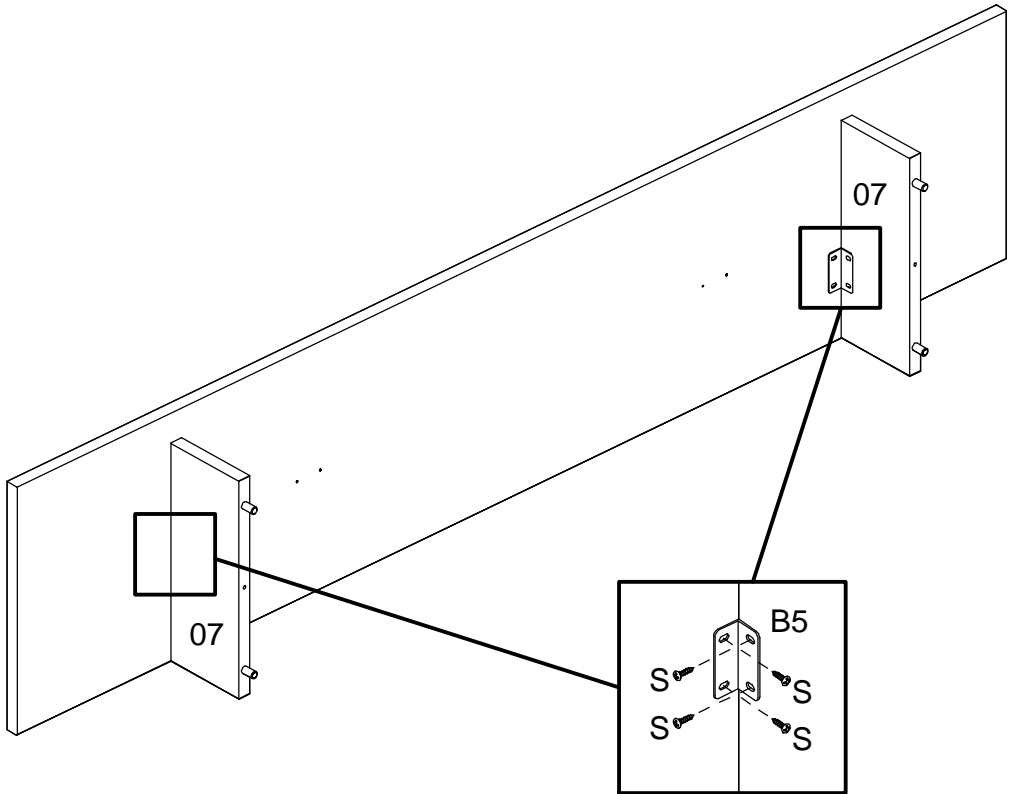
Step 8: Insert hardware part E using hardware part A1 and a small mallet (not provided). Then Insert hardware part B5 using hardware part S and screwdriver (not provided). then Insert hardware part J using the screwdriver (not provided). **DO NOT use any power tools as this may damage the frame and will invalidate any claim.**



Step 9: Attach the base monitor (01) to the left/right side base monitor (07) using hardware part A1.
DO NOT use any power tools as this may damage the frame and will invalidate any claim.

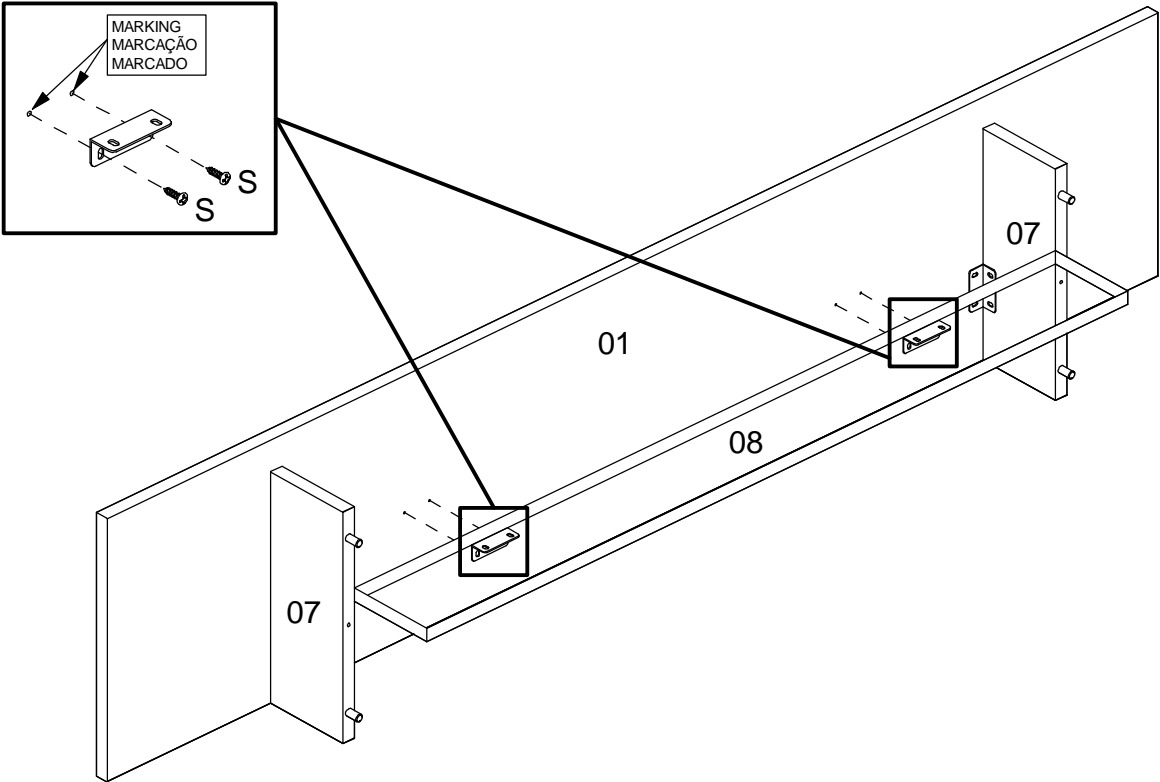


Step 10: Insert hardware part B5 using hardware part S with a screwdriver (not provided).
DO NOT use any power tools as this may damage the frame and will invalidate any claim.



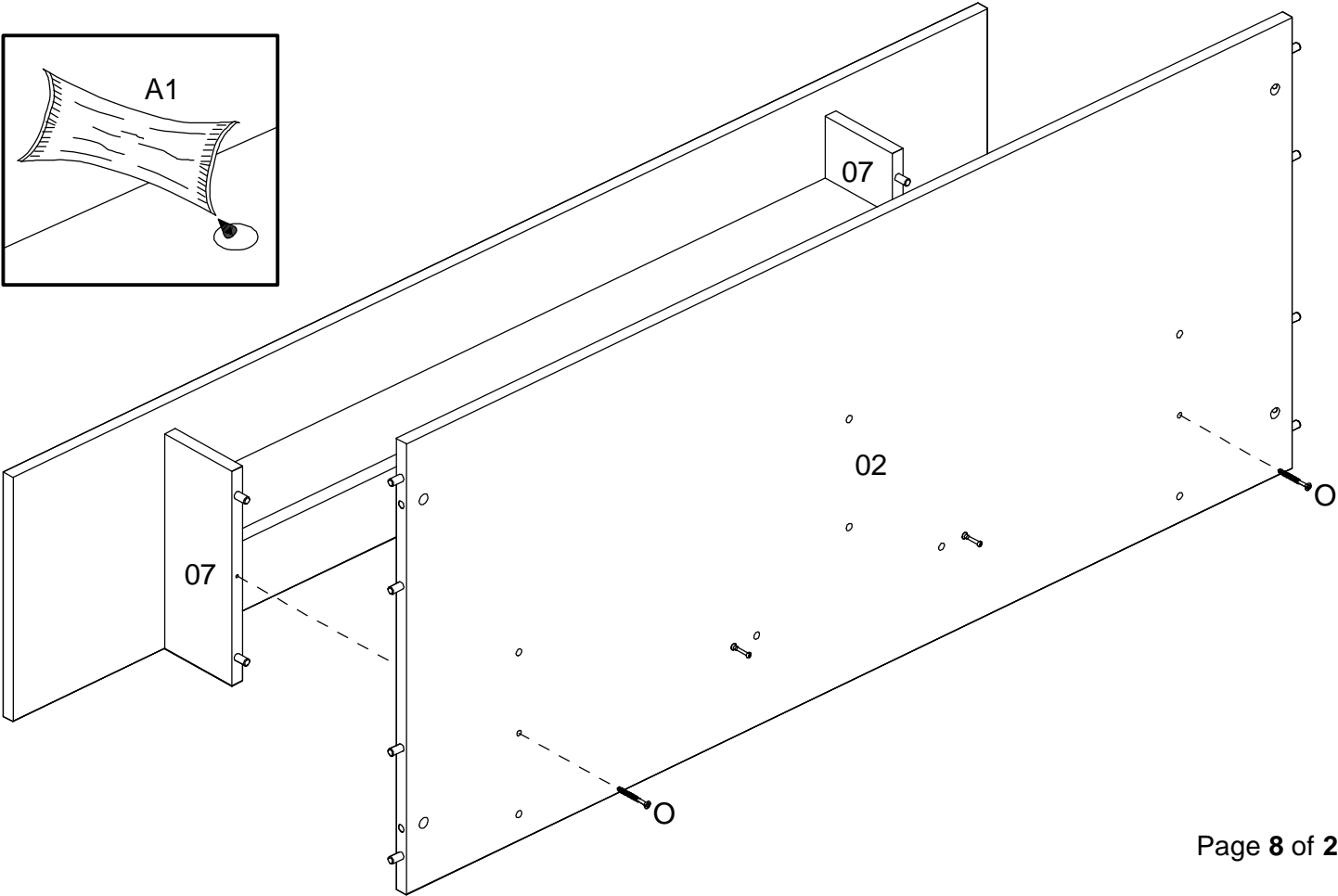
Step 11: Join the tray monitor base (08) to the assembled section using hardware part S with a screwdriver (not provided).

DO NOT use any power tools as this may damage the frame and will invalidate any claim.



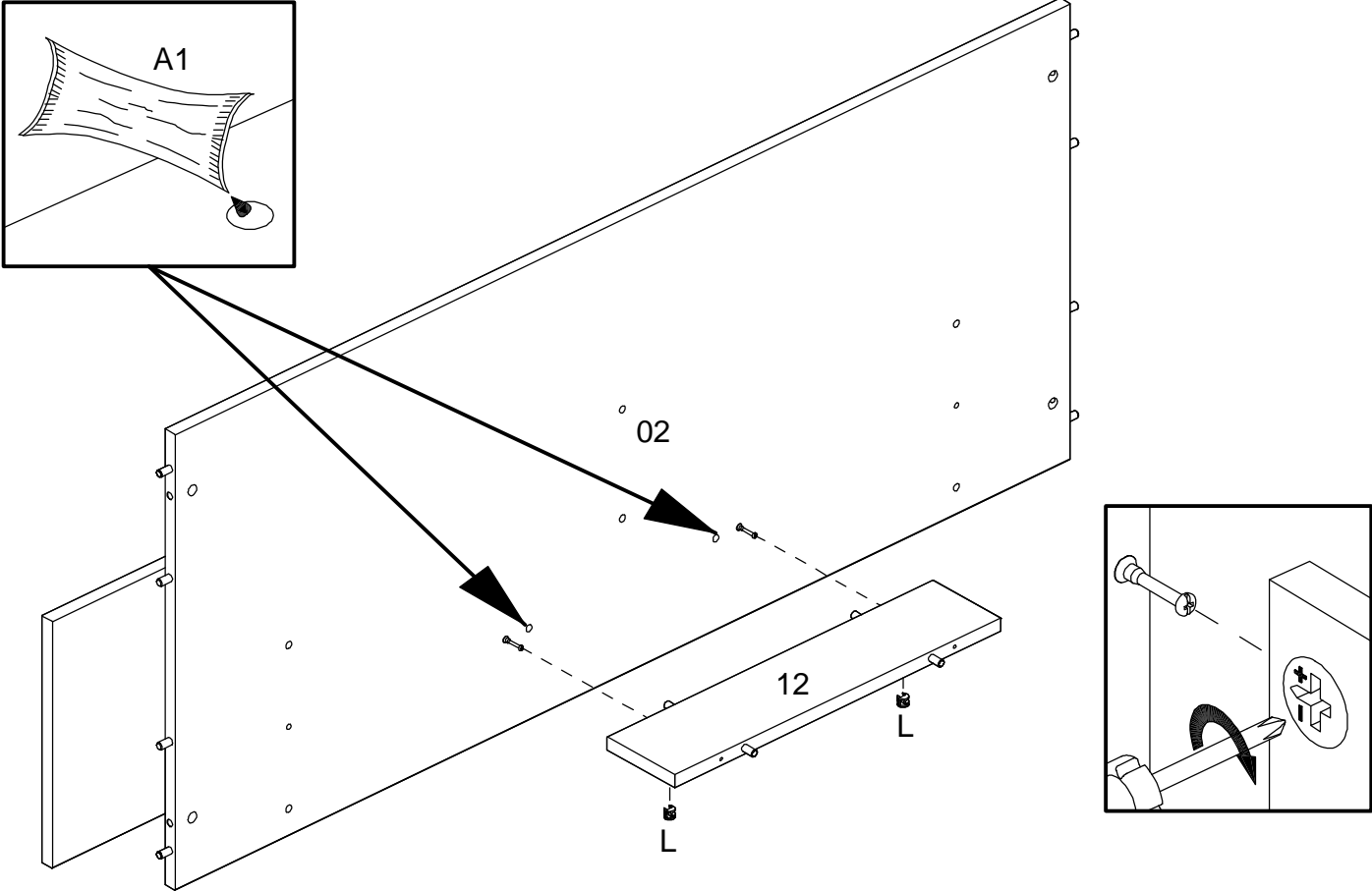
Step 12: Join the top (02) to the assembled section using hardware part A1 and O with a screwdriver (not provided).

DO NOT use any power tools as this may damage the frame and will invalidate any claim.



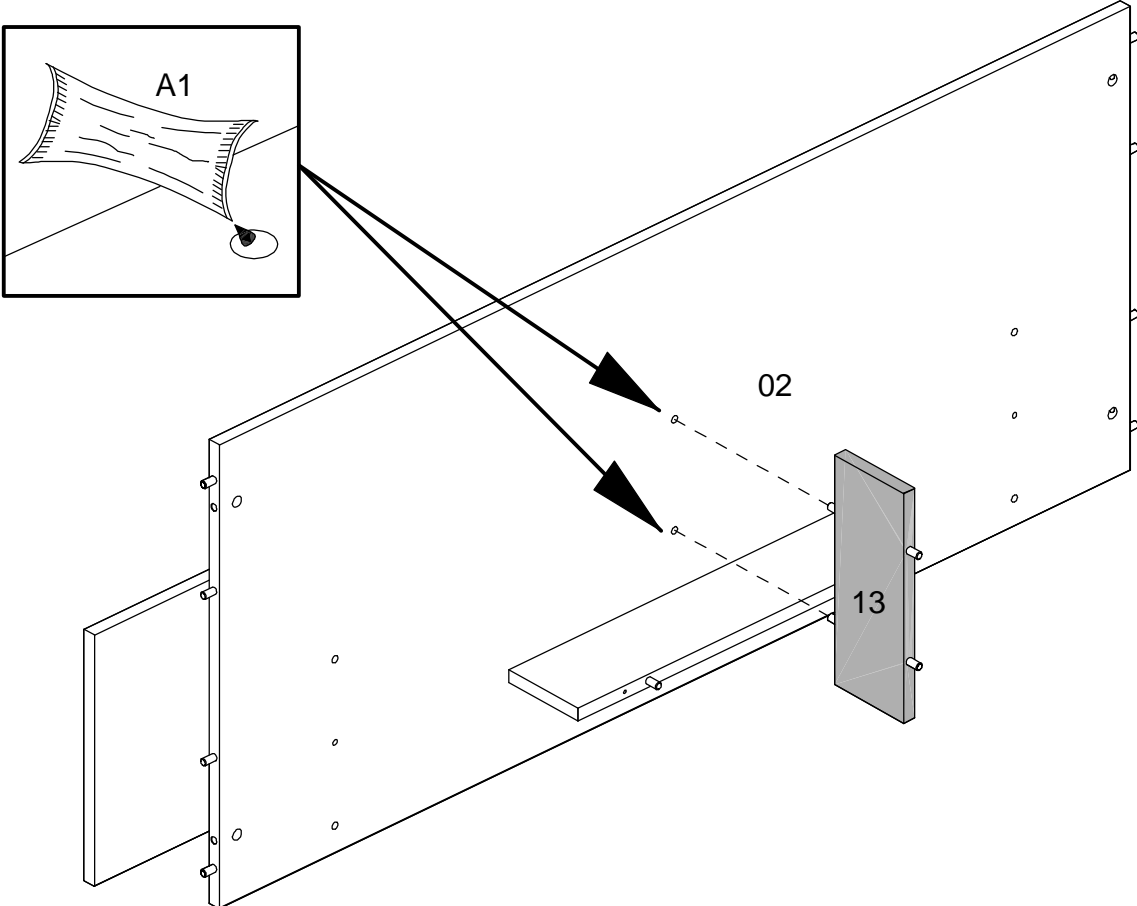
Step 13: Join the tray rear (12) to the assembled section using hardware part A1 and L with a screwdriver (not provided).

DO NOT use any power tools as this may damage the frame and will invalidate any claim.

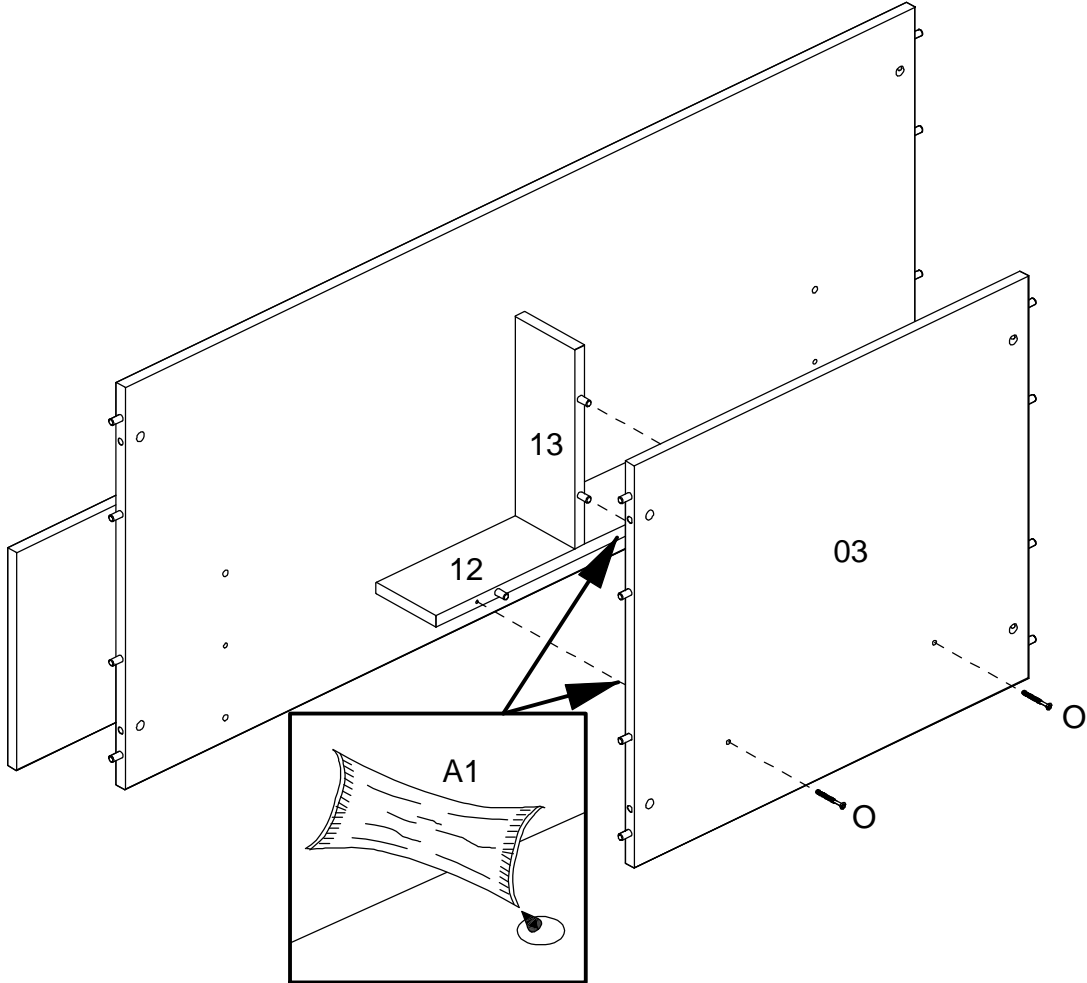


Step 14: Insert the tray top (13) to the top (02) using hardware part A1.

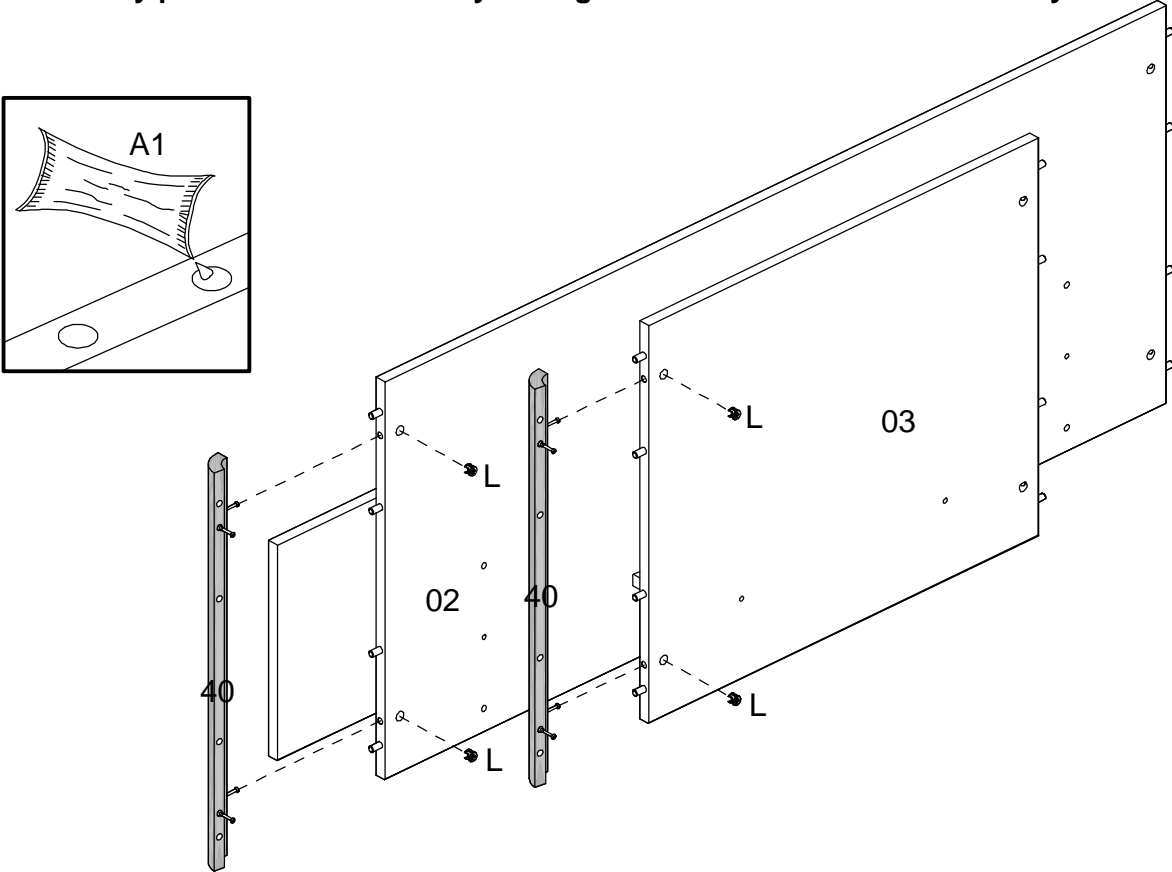
DO NOT use any power tools as this may damage the frame and will invalidate any claim.



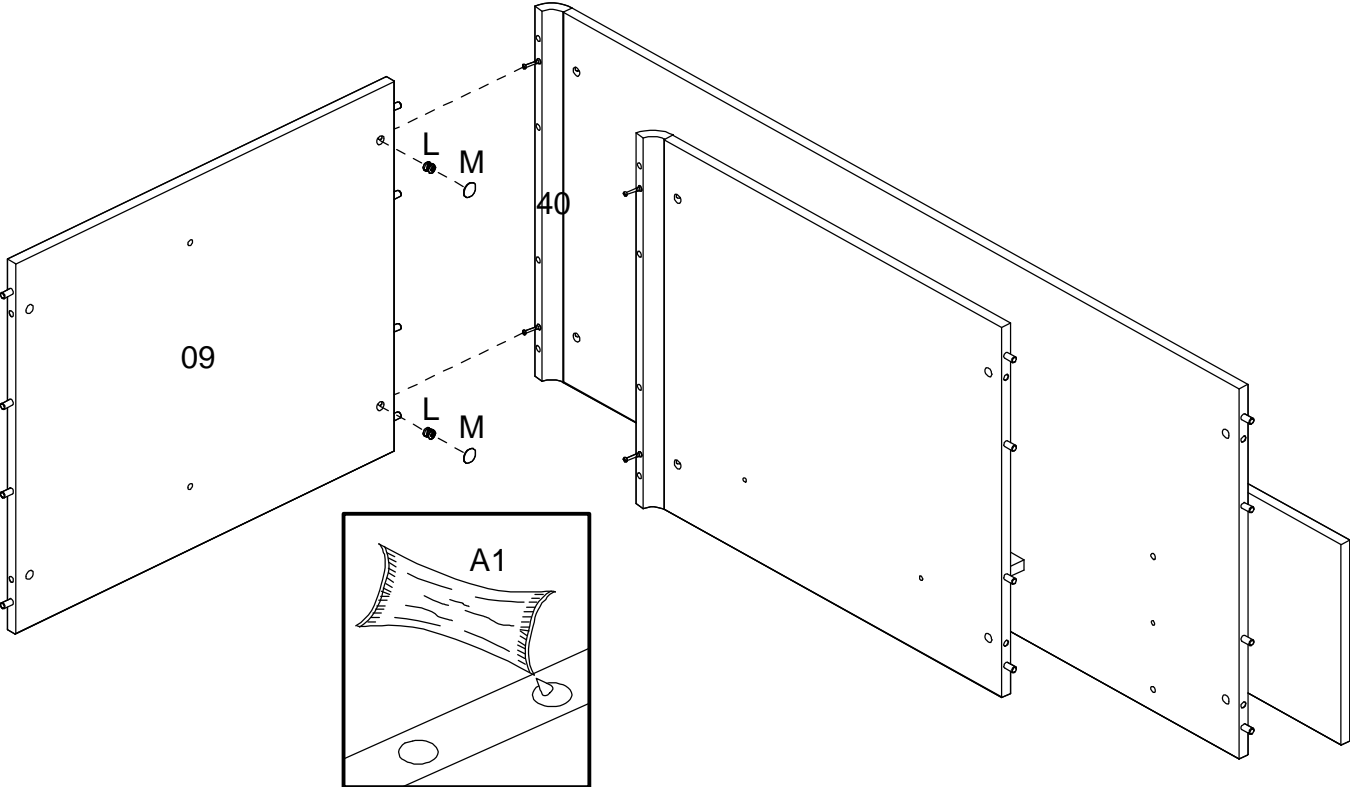
Step 15: Join the base (03) to the assembled section using hardware part A1 and O with a screwdriver (not provided).
DO NOT use any power tools as this may damage the frame and will invalidate any claim.



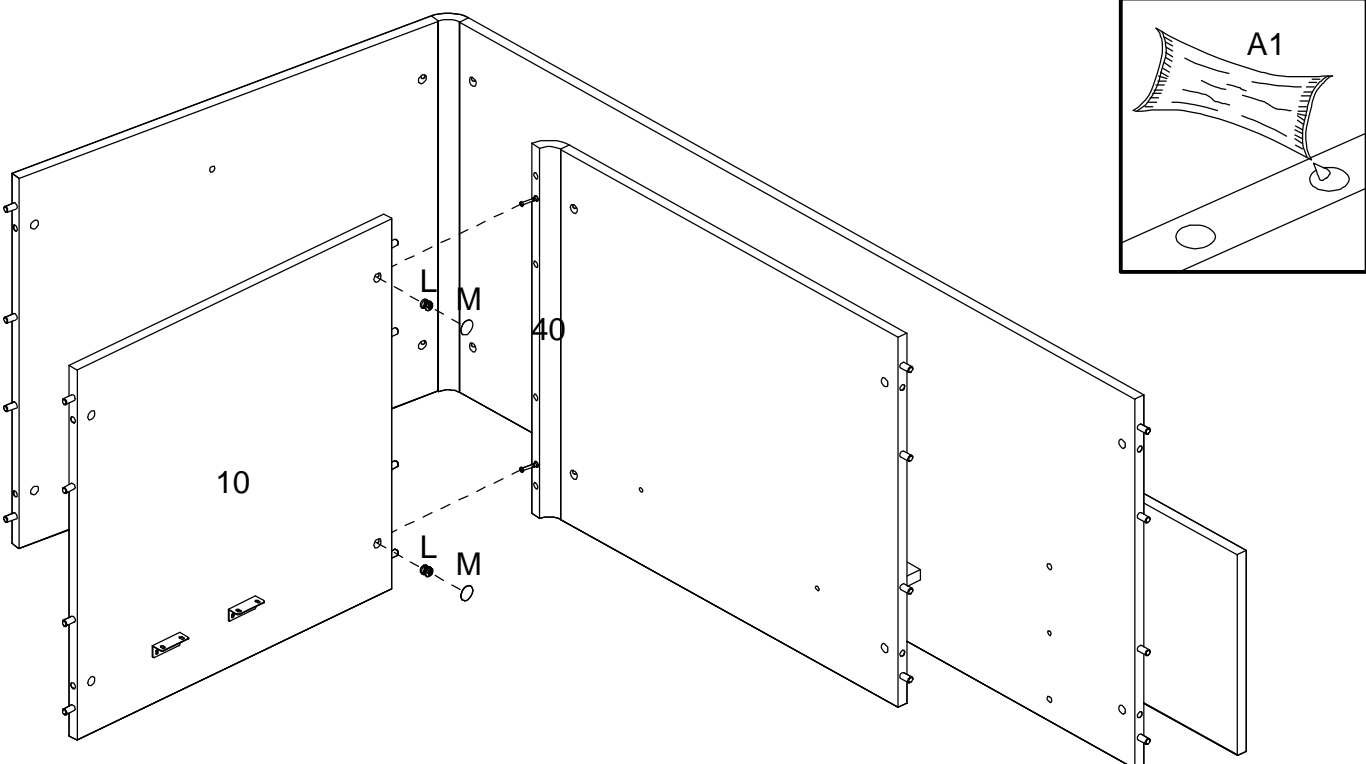
Step 16: Join the curved frame (40) to the assembled section using hardware part A1 and L with a screwdriver (not provided).
DO NOT use any power tools as this may damage the frame and will invalidate any claim.



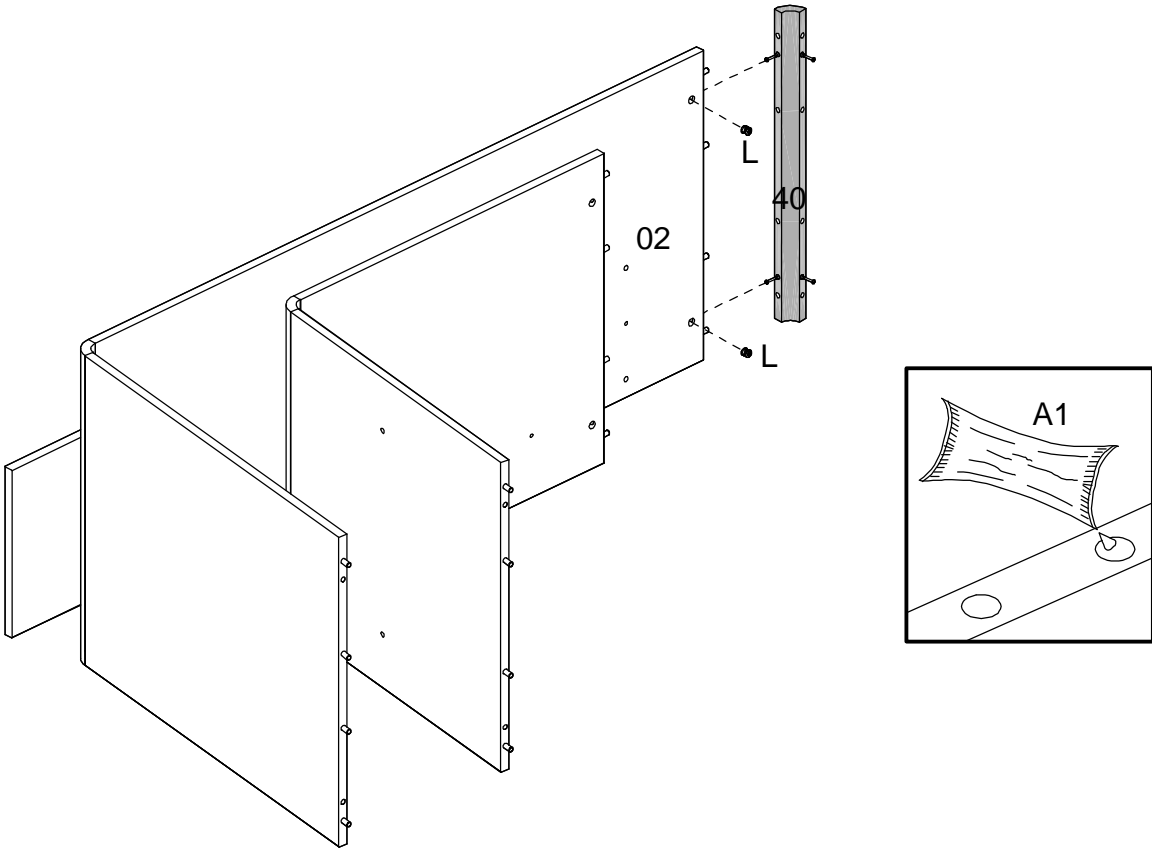
Step 17: Join the left side (09) to the assembled section using hardware part A1 and L with a screwdriver (not provided). Then insert the hardware part M to the left side (09).
DO NOT use any power tools as this may damage the frame and will invalidate any claim.



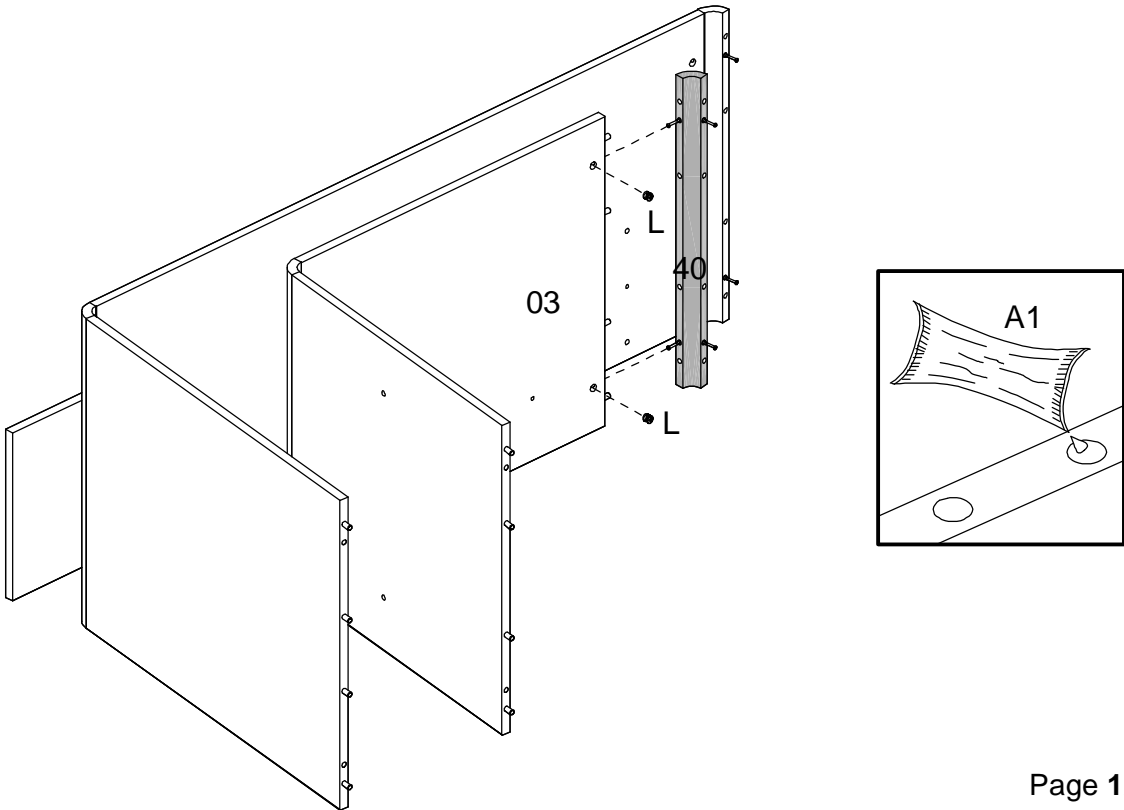
Step 18: Join the left division (10) to the assembled section using hardware part A1 and L with a screwdriver (not provided). Then insert the hardware part M to the left division (10).
DO NOT use any power tools as this may damage the frame and will invalidate any claim.



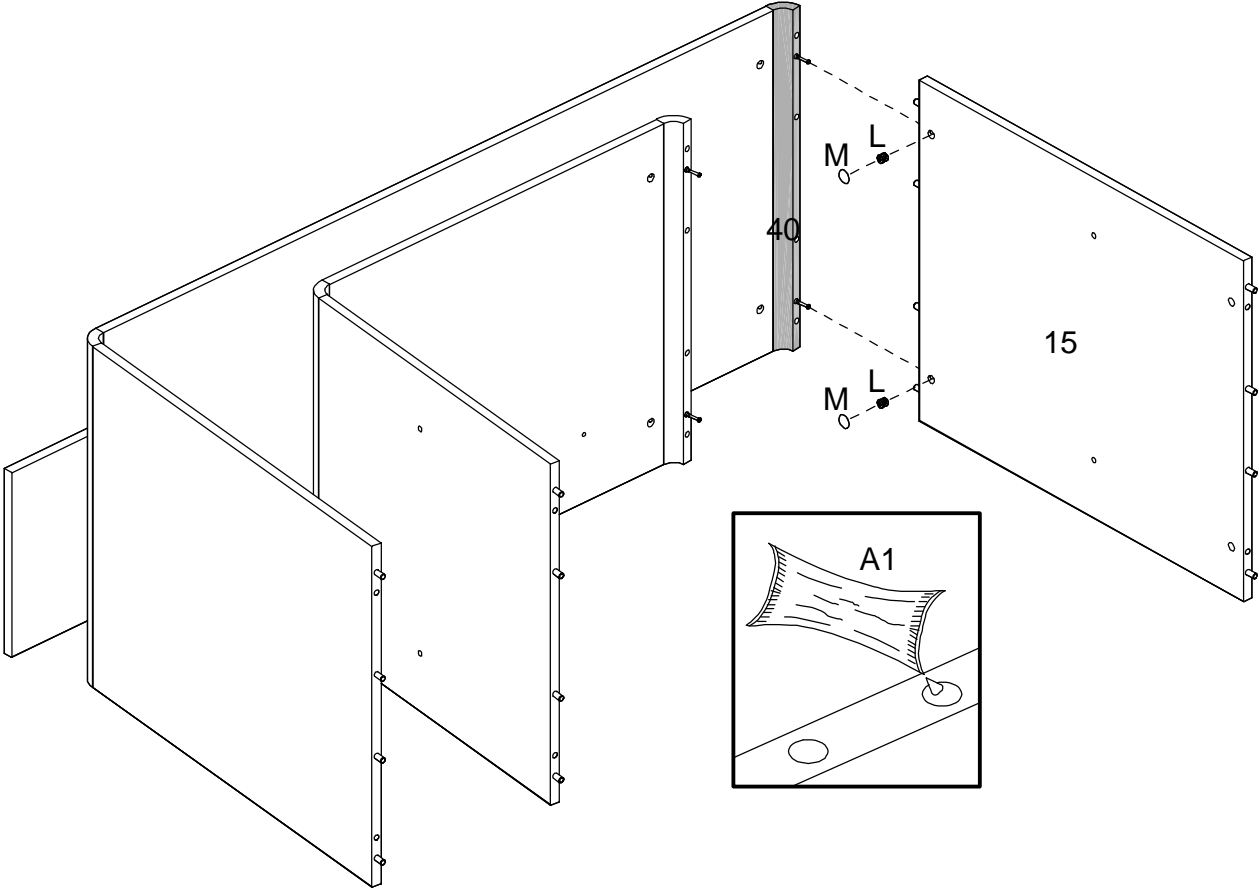
Step 19: Join the curved frame (40) to the assembled section using hardware part A1 and L with a screwdriver (not provided).
DO NOT use any power tools as this may damage the frame and will invalidate any claim.



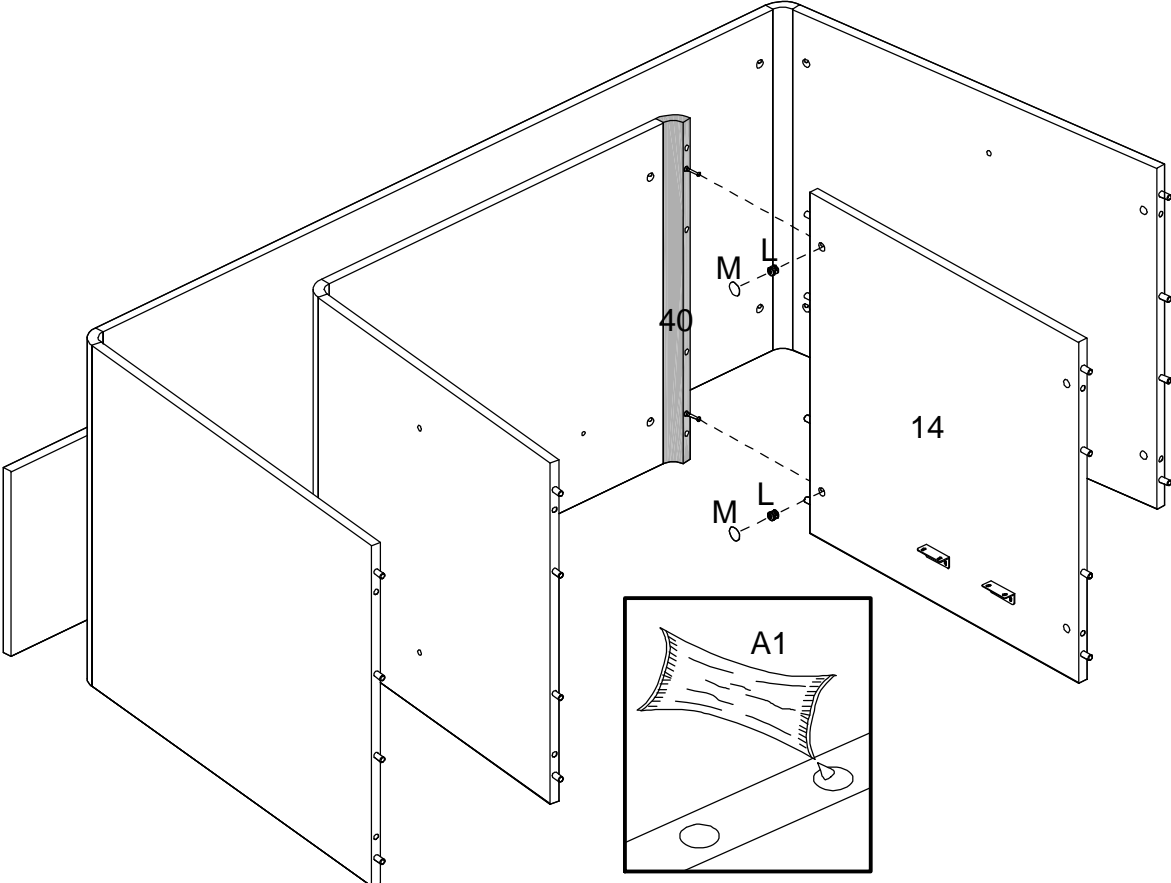
Step 20: Join the curved frame (40) to the assembled section using hardware part A1 and L with a screwdriver (not provided).
DO NOT use any power tools as this may damage the frame and will invalidate any claim.



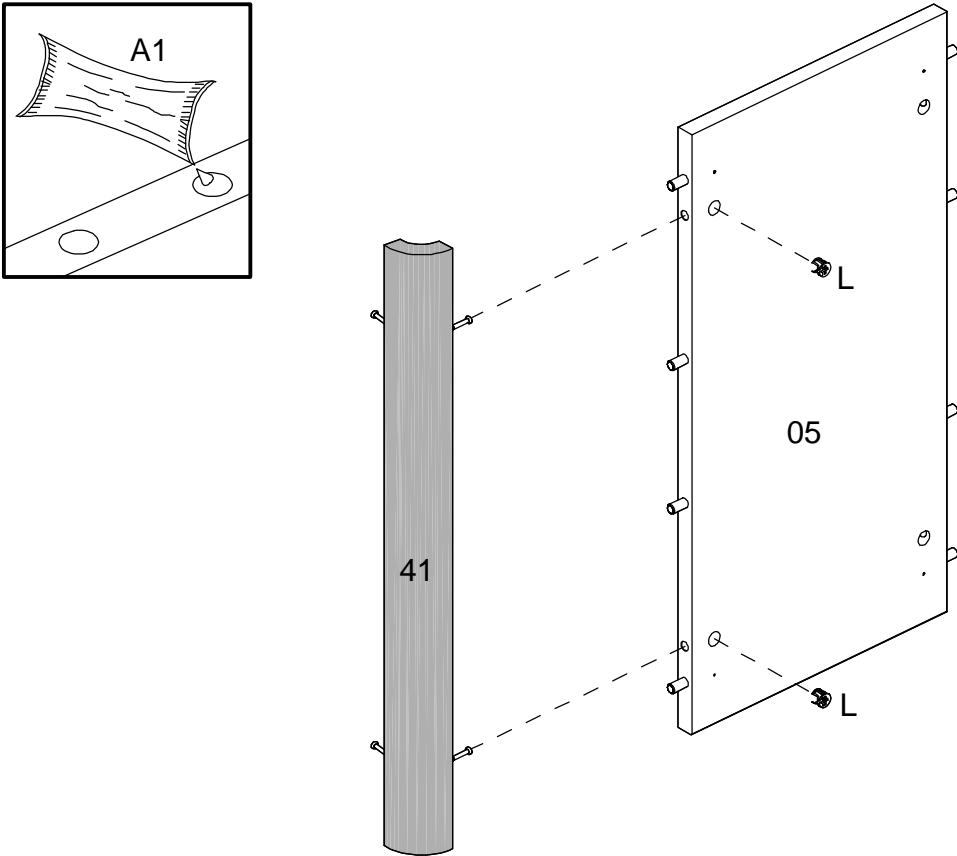
Step 21: Join the right side (15) to the assembled section using hardware part A1 and L with a screwdriver (not provided). Then insert the hardware part M to the right side (15).
DO NOT use any power tools as this may damage the frame and will invalidate any claim.



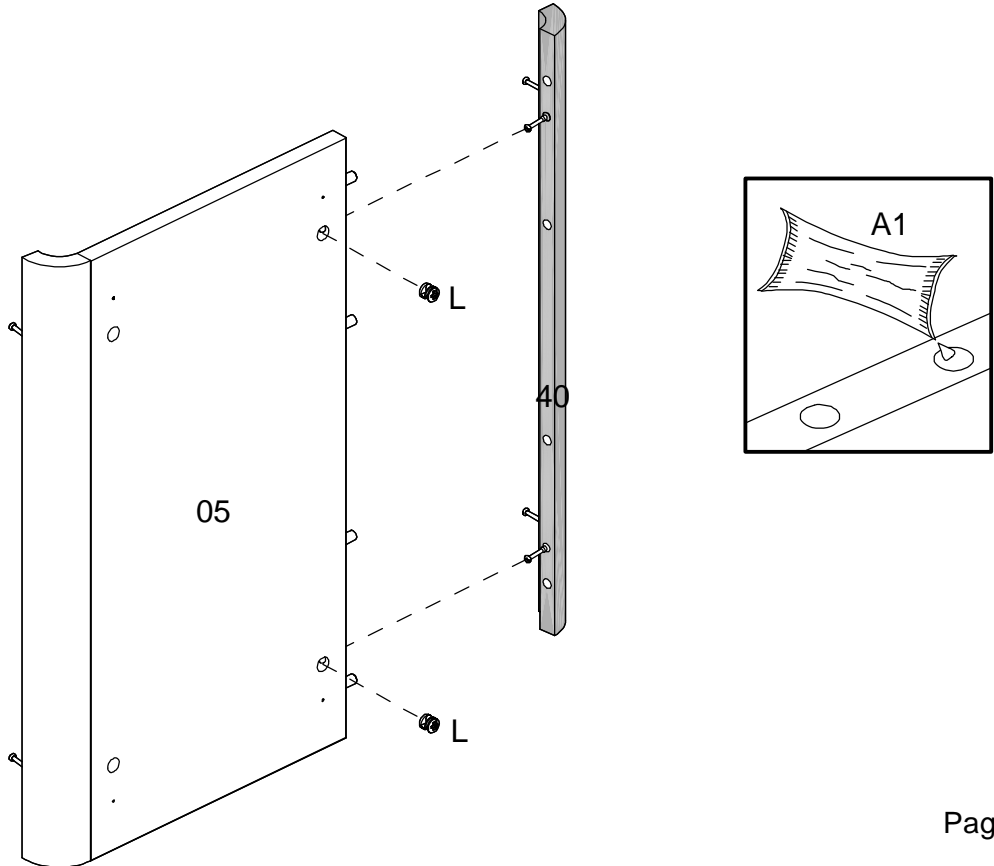
Step 22: Join the right division (14) to the assembled section using hardware part A1 and L with a screwdriver (not provided). Then insert the hardware part M to the right division (14).
DO NOT use any power tools as this may damage the frame and will invalidate any claim.



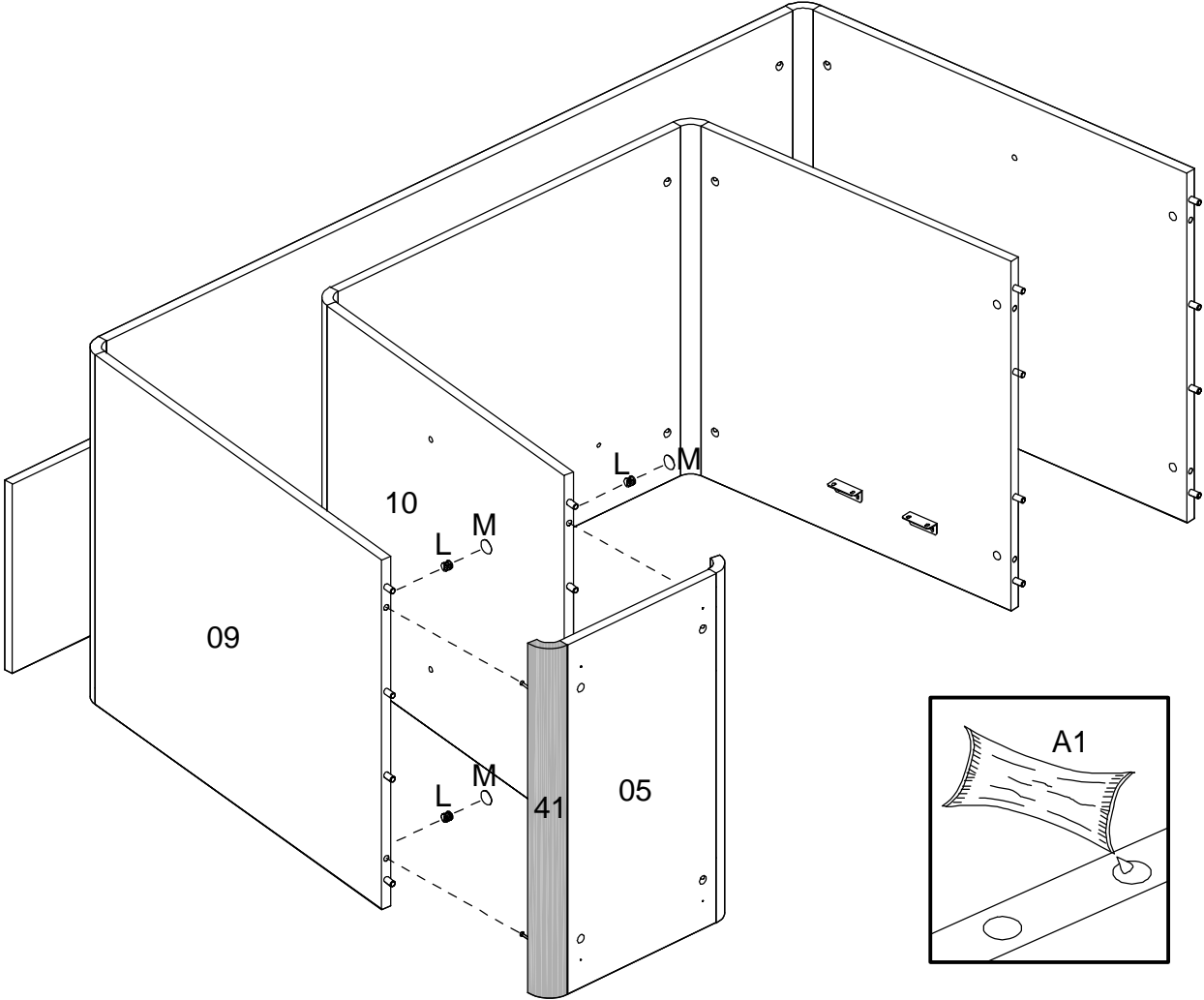
Step 23: Attach the curved frame (41) to the bottom left base (05) using hardware part A1 and L.
DO NOT use any power tools as this may damage the frame and will invalidate any claim.



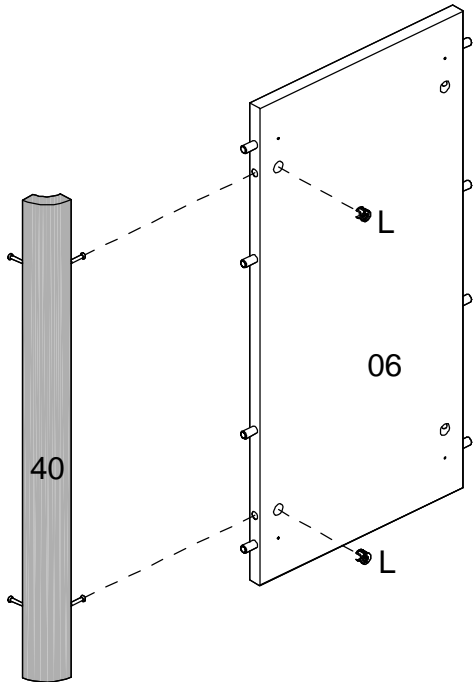
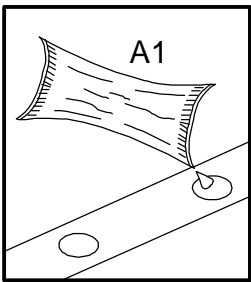
Step 24: Join the curved frame (40) to the assembled section using hardware part A1 and L with a screwdriver (not provided).
DO NOT use any power tools as this may damage the frame and will invalidate any claim.



Step 25: Join the curved frame (40) and (41) to the assembled section using hardware part A1 and L with a screwdriver (not provided). Then insert the hardware part M to the left side (09) and left division (10). **DO NOT use any power tools as this may damage the frame and will invalidate any claim.**

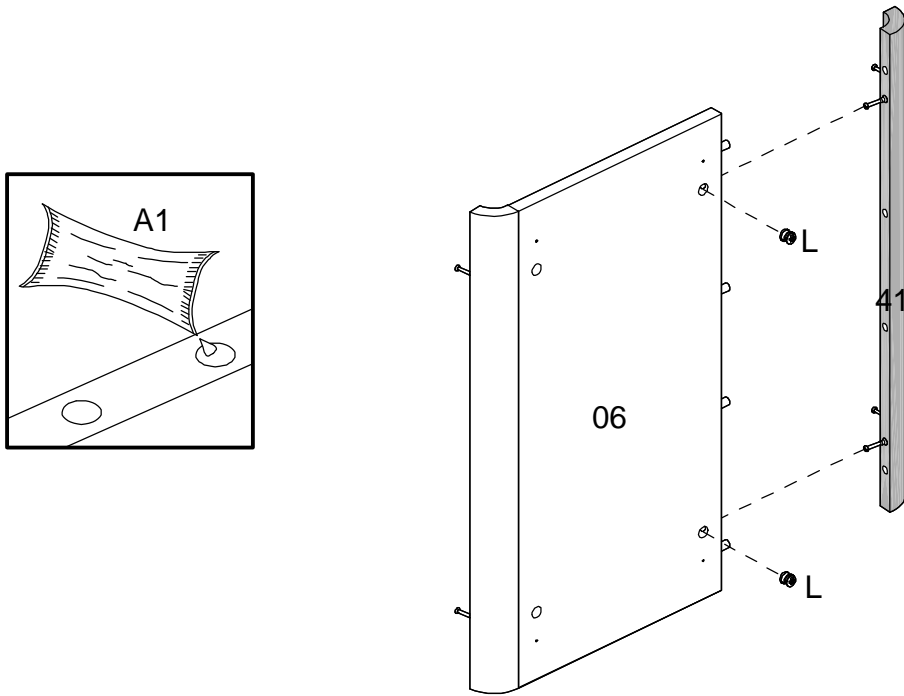


Step 26: Attach the curved frame (40) to the bottom right base (06) using hardware part A1 and L. **DO NOT use any power tools as this may damage the frame and will invalidate any claim.**

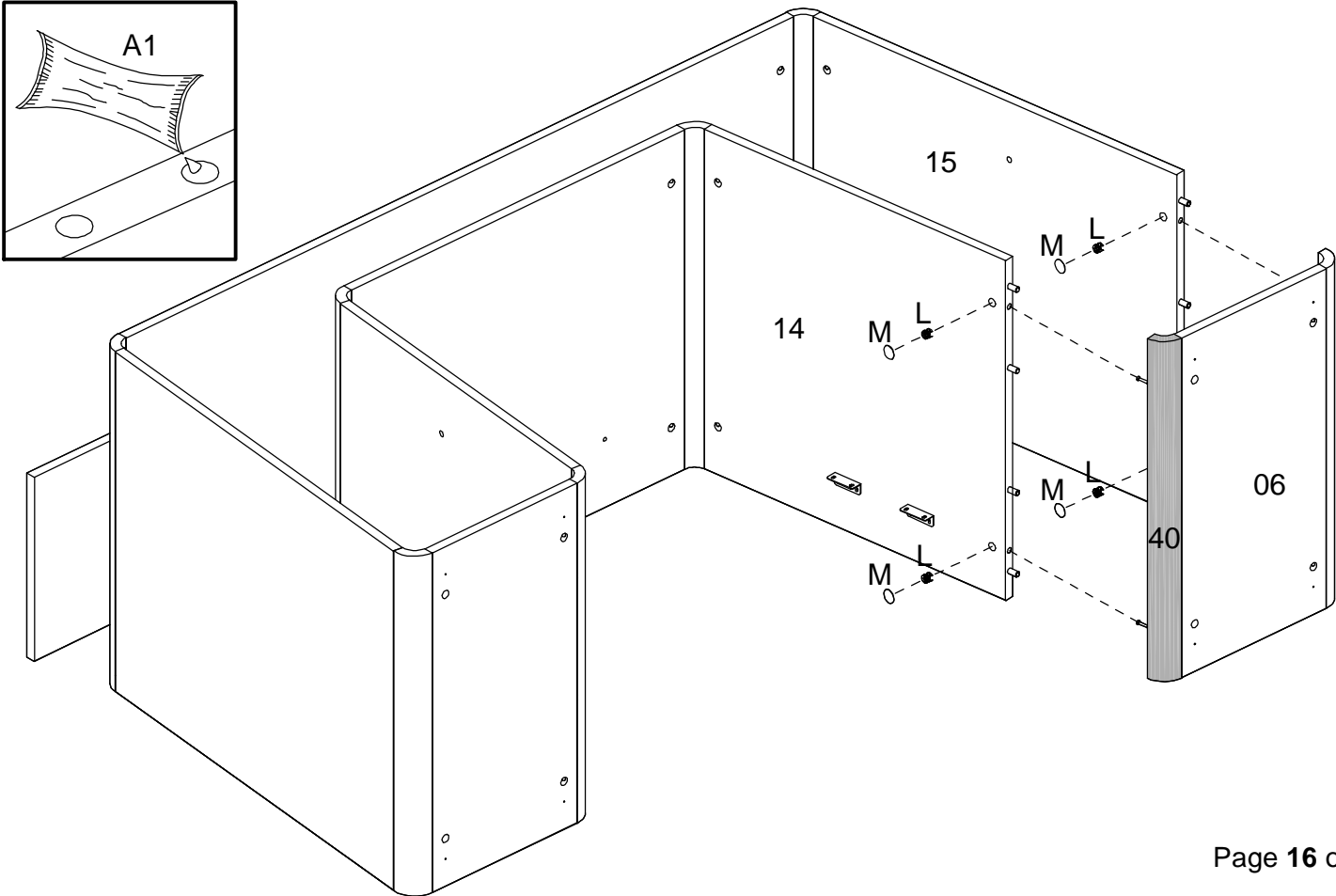


Step 27: Join the curved frame (41) to the assembled section using hardware part A1 and L with a screwdriver (not provided).

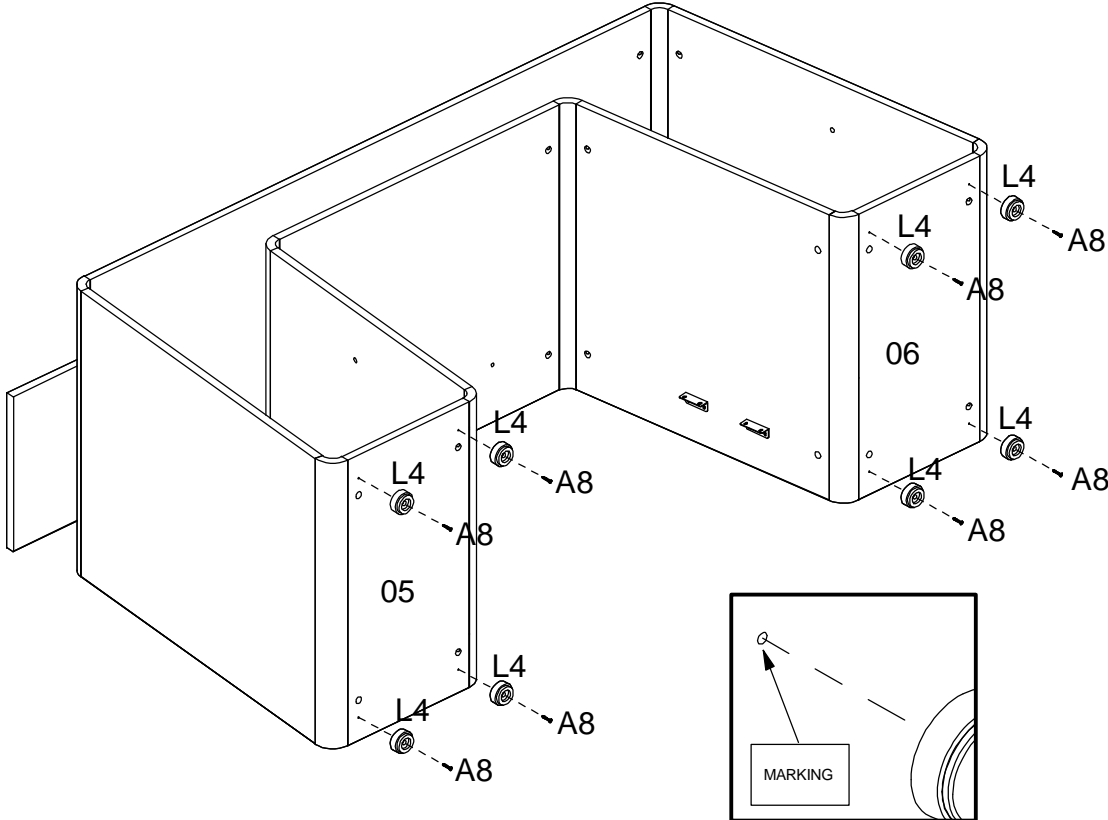
DO NOT use any power tools as this may damage the frame and will invalidate any claim.



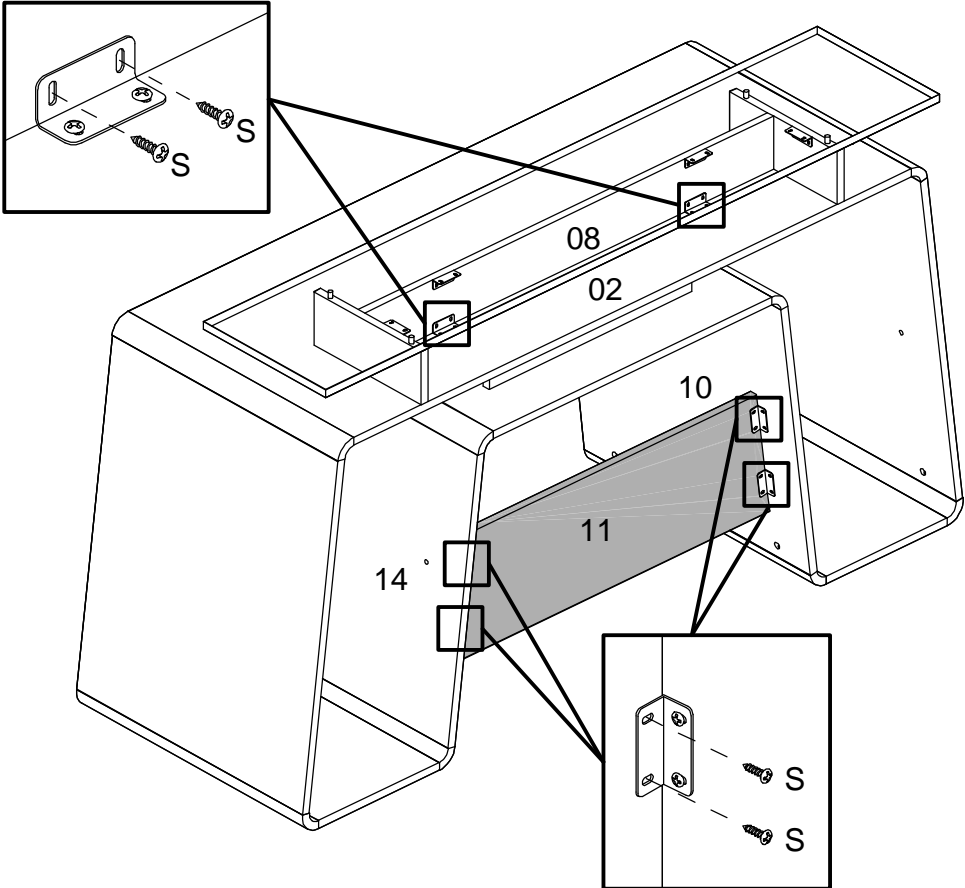
Step 28: Join the curved frame (40) and (41) to the assembled section using hardware part A1 and L with a screwdriver (not provided). Then insert the hardware part M to the right division (14) and right side (15). **DO NOT use any power tools as this may damage the frame and will invalidate any claim.**



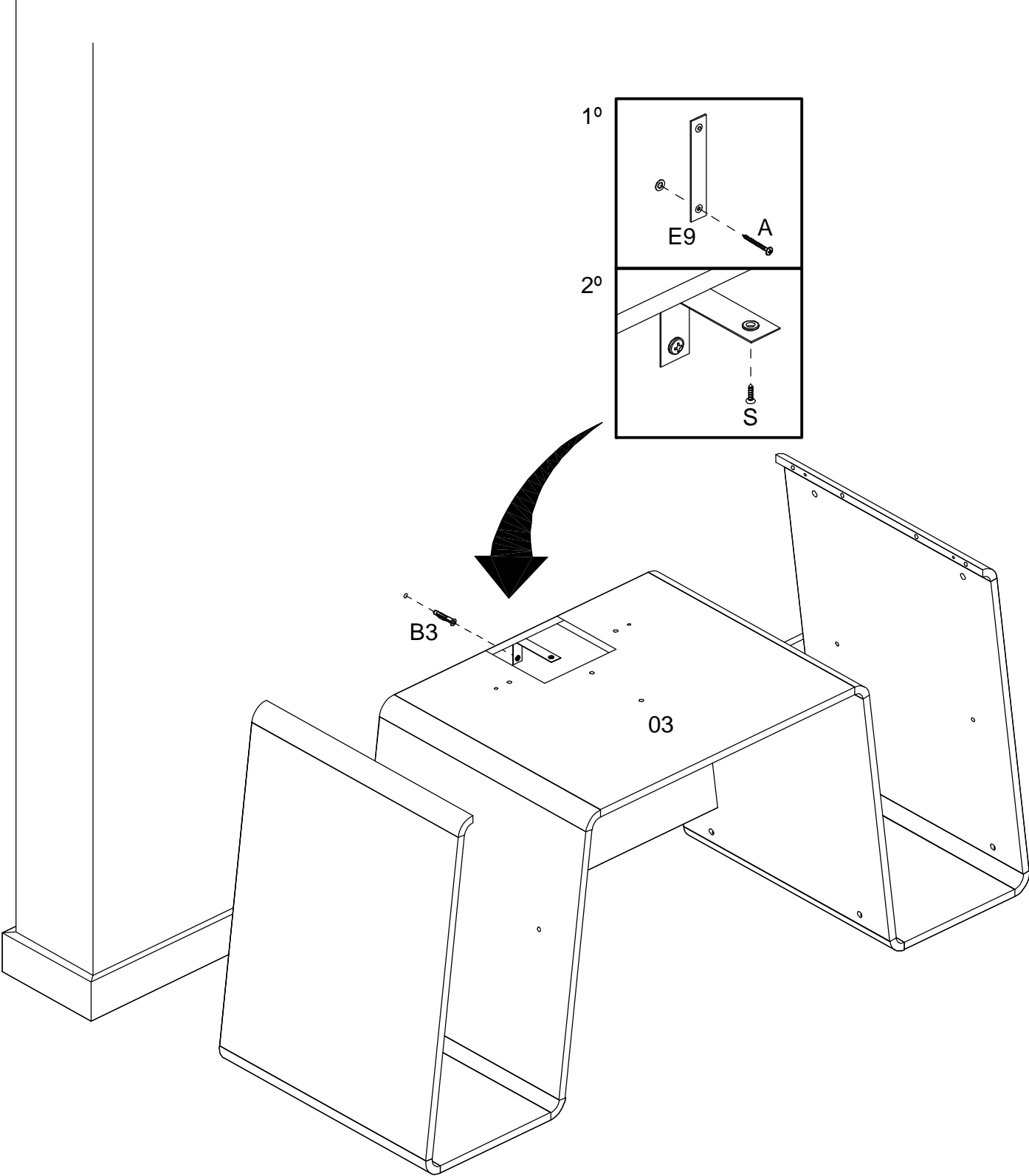
Step 29: Insert hardware part L4 using hardware part A8 with a screwdriver (not provided).
DO NOT use any power tools as this may damage the frame and will invalidate any claim.



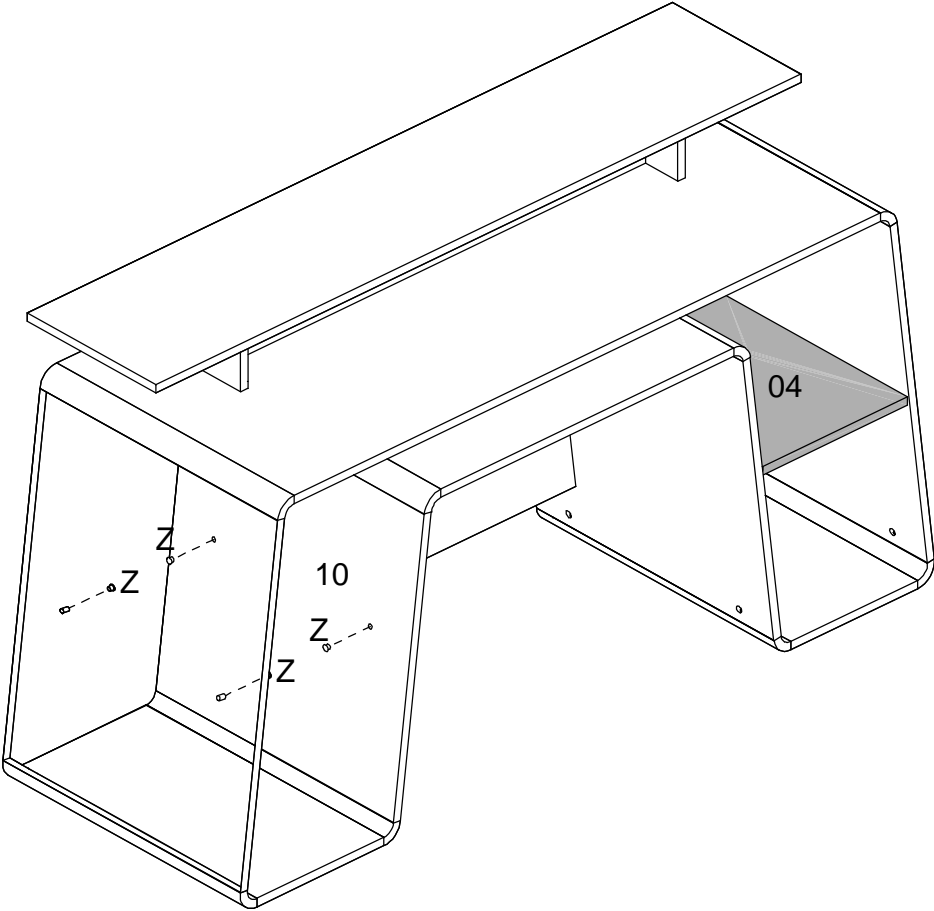
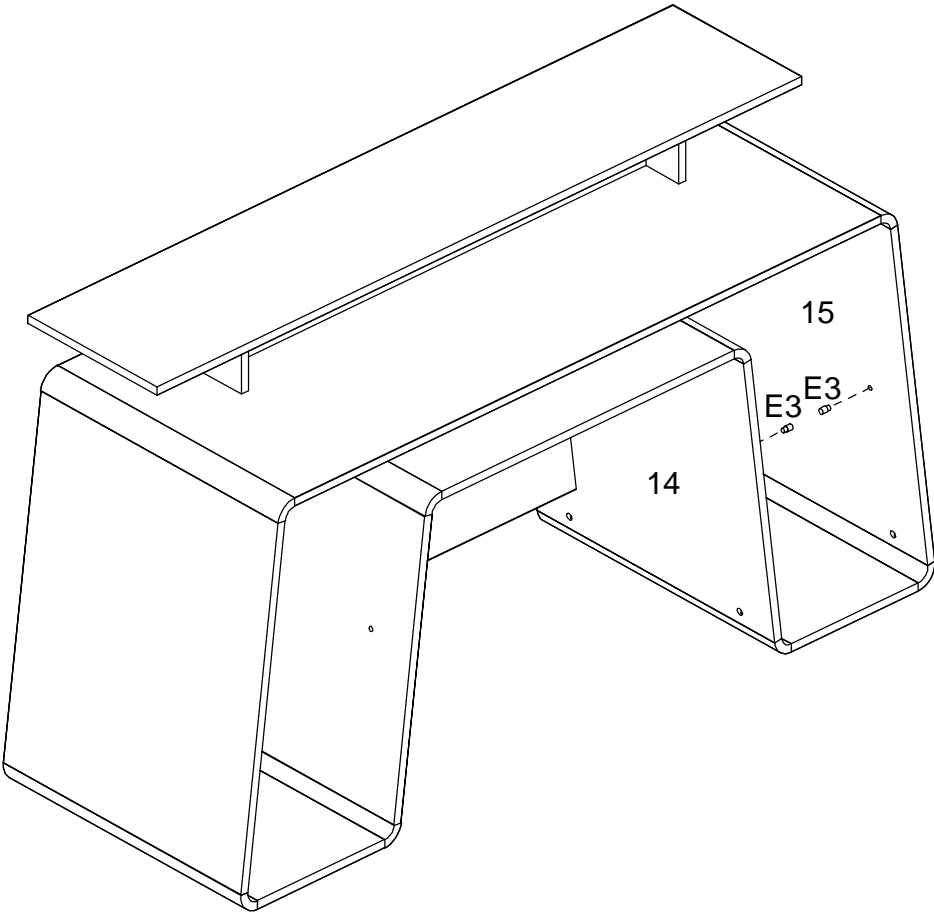
Step 30: Join the coast (11) to the assembled section using hardware part S with a screwdriver (not provided).
Join the tray monitor base (08) to the top (02) using hardware part S with a screwdriver(not provided).
DO NOT use any power tools as this may damage the frame and will invalidate any claim.

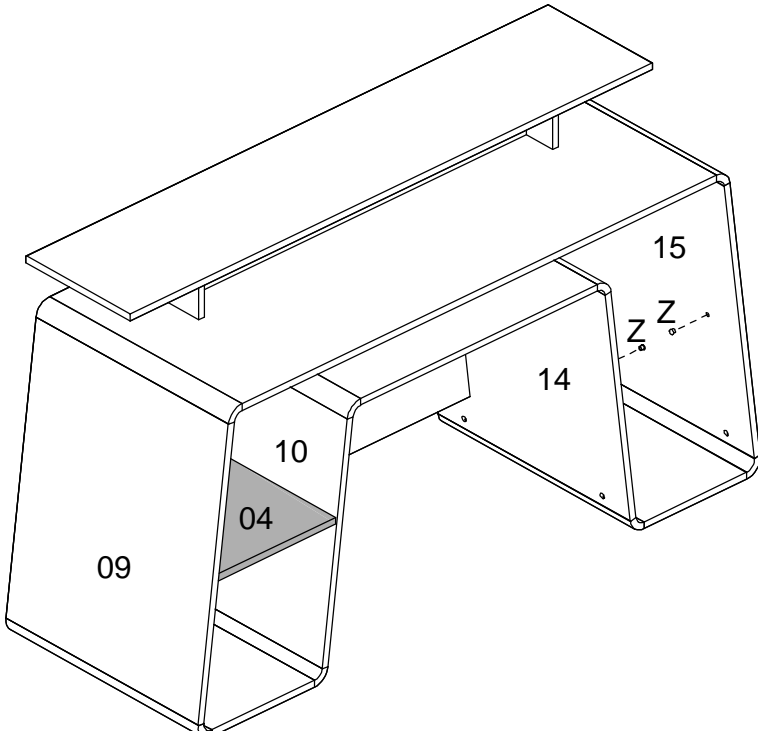
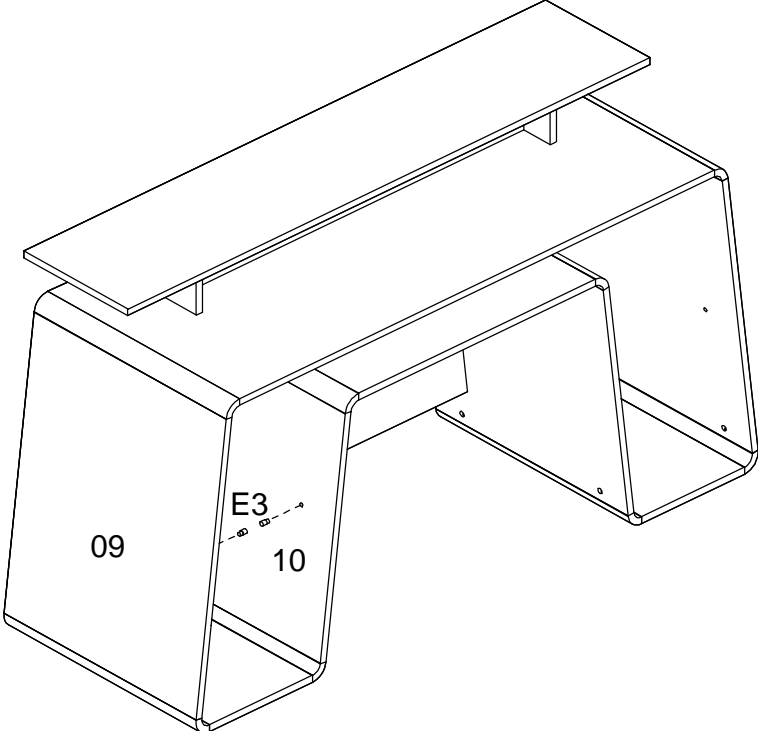


Step 31: To secure the item to the wall use hardware parts A, B3 and E9 using a drilling machine (not provided) and a screwdriver (not provided). Then attach hardware part S to the item with a screwdriver (not provided).
Birlea Furniture advise you use the wall straps provided to further enhance the safety of this product.



Step 32: Choose which side of the mobile shelf you want to install as you follow. Right shelf to page 19
left shelf to page 20.
DO NOT use any power tools as this may damage the frame and will invalidate any claim.





Please dispose of all packaging safely.

General Care & Maintenance

Wipe clean with a slightly damp cloth.
Avoid the use of all household cleaners and abrasives.

Periodically check all screw & fixings to ensure they are secure.

When moving your product, carefully lift into place. Never drag or push the product across the floor as this will cause damage to the joints. If the product is used on hard flooring, such as wood or laminated floor, you must place some protection under the legs to stop the product from moving. If this is not adhered to, it could result in failure to the product that will invalidate the warranty.

For more information on cleaning and product care visit:
<https://www.happybeds.co.uk/help-and-advice>

Notes

In the unlikely event that you have problems putting this product together or have damaged or missing parts, please contact us by visiting:
<https://www.happybeds.co.uk/customer-service>