

Assembly Instructions

Important before assembly:

Read these instructions carefully before assembling or using the product.

Please check the contents of the boxes before attempting to assemble this product. The instructions will have a checklist of parts and fittings.

Assemble the product as close to its intended final location/room as possible.

Health & Safety:

This product or some parts of this product will be heavy. Please use an assistant when lifting.

Please keep small parts out of reach of children.

Always use on a level, even surface.

DO NOT jump on the product or any of its parts.

DO NOT use this product if any parts are missing, damaged or worn.

DO NOT use this product unless all fixings are secured.

Further instructions are on the following pages.

Please keep these instructions for future reference.



This product or some parts of this product will be heavy. Please use an assistant when lifting.



Never drag or push the pieces across a hard or stone floor as this will cause damage to the joints. Use a carpet or a rug for extra care.



If you have problems assembling or have damaged or missing pieces, please contact our customer services (details at the back of these instructions)



Important for High Sleepers, Bunk Beds and Children's Beds

Warning:

High sleepers and the upper tier of bunk beds are not suitable for children under 6 years of age due to risk of injury from falls.

High Sleepers and Bunk Beds present a risk of injury from strangulation if used incorrectly. Never attach or hang anything on any part of the bed that is not designed to be used with the bed, for example, but not limited to ropes, strings, cords, hooks, belts and bags.

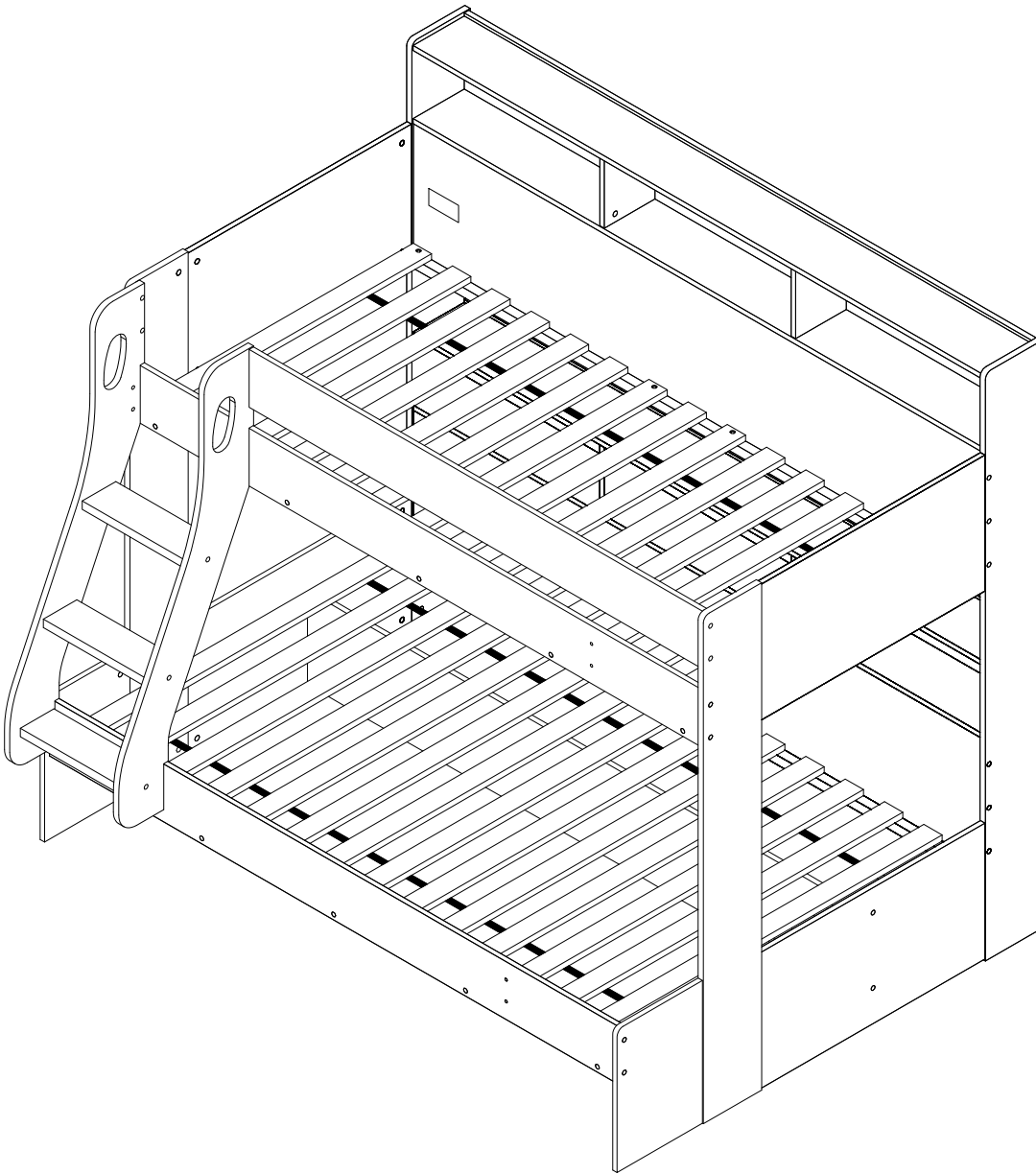
Children can become trapped between the bed and the wall, a roof pitch, the ceiling and other pieces of furniture (e.g. wardrobes). To avoid risk of serious injury, the distance between the top safety barrier and any adjoining structure shall not exceed 75mm or shall be more than 230mm.

Maximum thickness of a mattress on the top tier is 18cm. Please refer to the label or marking on the headboard.

This bed has been tested by an independent laboratory and is in compliance with BS EN 747-1 : 2012+A1:2015 - Standard Consumer Safety specification for bunk beds & high sleepers.

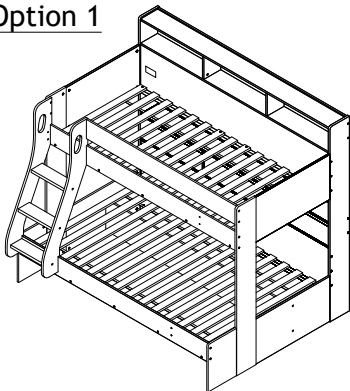
OLIVER TRIPLE BED

Assembly Instructions

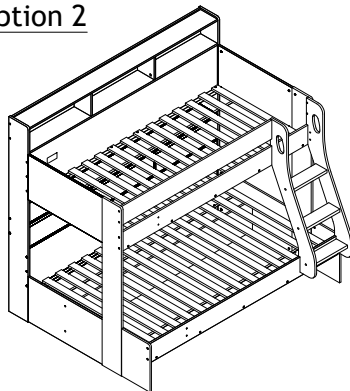


The ladder of this bed is interchangeable

Option 1



Option 2



SAFETY ADVICE

Please take the time to carefully read through the whole of these instructions before you commence.

Keep these instructions for future reference.

Unpack, inspect and check of all of the contents.

Please dispose of all packing safely.

Small components parts could choke a child is swallowed.

We strongly recommend that you keep children well away from the work area.

It would be sensible to lay a sheet or blanket on the floor where you intend to work to avoid

Scratching this product and protect your floor.

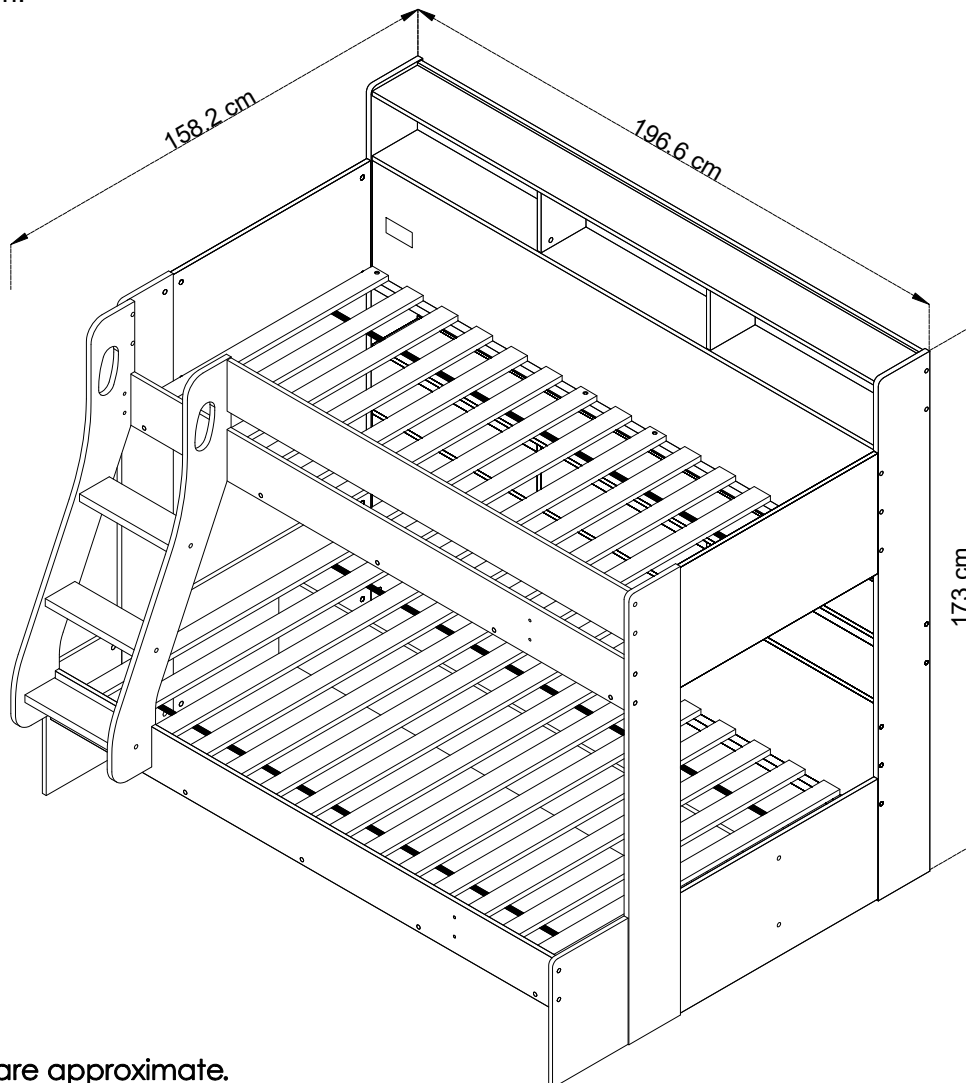
This product is heavy. Take extreme care when lifting to avoid personal injury or damage to the product .

This bed is heavy. Always lift this bed with two people.

Assemble the product as close to its intended final position in the room as possible.

Keep any sharp object away from the bed frame.

HANDY HINT: If you keep the hardware in a bowl during assembly you will be less likely to lose them.



OLIVER BUNK BED SAFETY WARNINGS AND GENERAL NOTES: IMPORTANT - READ CAREFULLY - RETAIN FOR FUTURE REFERENCE

WARNING - High beds and the upper bed of bunk beds are not suitable for children under six years due to the risk of injury from falls.

WARNING - Bunk beds and high beds can present a serious risk of injury from strangulation of not used correctly. Never attach or hang items to any part of the bunk bed that are not designed to be used with the bed, for example, but not limited to ropes, strings, cards, hooks, belts and bags.

WARNING - Children can become trapped between the bed and the wall, a roof pitch, the ceiling, adjoining pieces of furniture (e.g. cupboards) and the like. To avoid risk of serious injury the distance between the top safety barrier and the adjoining structure shall not exceed 75mm or shall be more than 230mm.

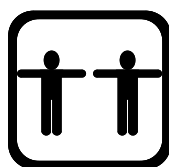
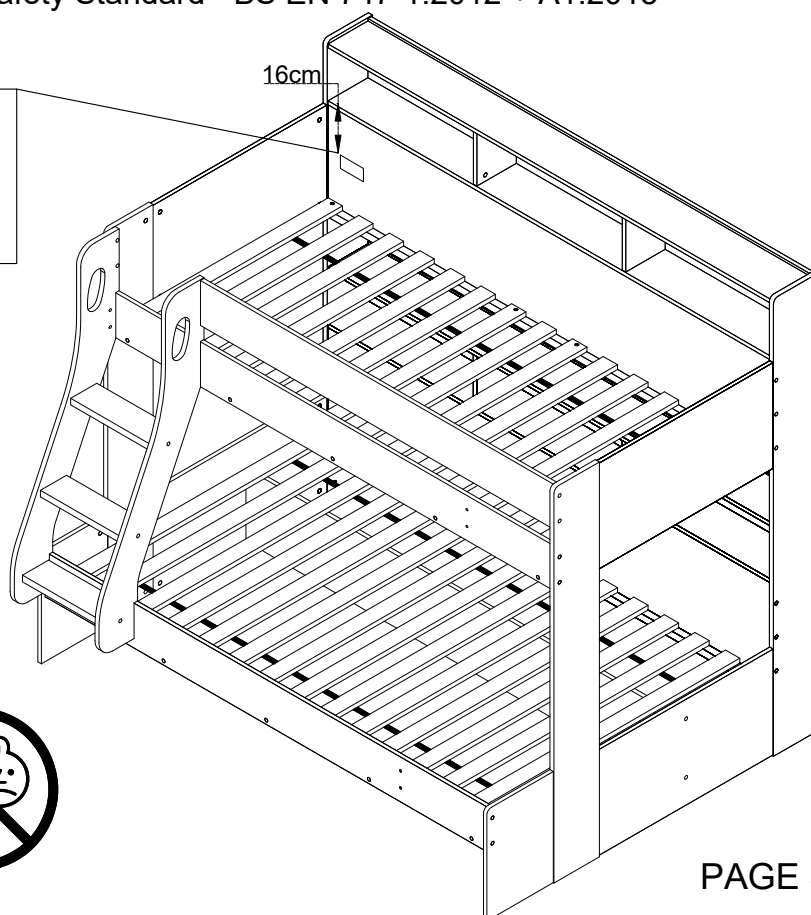
WARNING - Do not use the bunk bed / high bed if any structural part is broken or missing.

- Always follow the manufacturer's instruction.
- Prohibit horseplay on or under the bed. Always prohibit jumping on the bed.
- Prohibit more than one person on high bed and upper bunk.
- Always use the ladder for entering and leaving the high bed upper bed.
- Only use a mattress that is 1905mm (75") long and 915mm (36") wide on upper and lower bunk bed. The top of the mattress shall be at least 160mm (6-1/4") below the edge of the safety barriers.
- Ensure thickness of mattress below the mark that had been made at the entrance of upper bunk.
- Ensure that ventilation of the room is necessary in order to keep the humidity low and to prevent mould in and around the bed.
- All assembly fastenings should always be tightened properly and that care should be taken that no fittings are loose.

WARNING - Do not use any power tools at this may damage the frame and will invalid any claim.

This item conforms the European Safety Standard - BS EN 747-1:2012 + A1:2015

The top of the mattress
must not come above this
line



PART LIST

MODEL: OLIVER BUNK BED

Carton 1 of 5

No.	Part Name	Pcs
1	HEADBOARD FRONT LEG - LEFT	1
2	HEADBOARD FRONT LEG - RIGHT	1
3	HEADBOARD BACK LEG - LEFT	1
4	HEADBOARD BACK LEG - RIGHT	1
5	HEADBOARD PANEL - TOP	2
19	HEADBOARD PANEL - BOTTOM	2

Carton 2 of 5

8	SIDE RAIL - FRONT	2
9	SIDE RAIL - BACK	1
10	SIDE RAIL - BACK (WITH WARNING LABEL)	1
20	SLAT SUPPORT PANEL	1

Carton 3 of 5

7	SIDE RAIL - TOP	1
11	SIDE RAIL CLEAT	4
12	TOP SHELF	2
13	BOTTOM SHELF	2
14	BACK PANEL	2

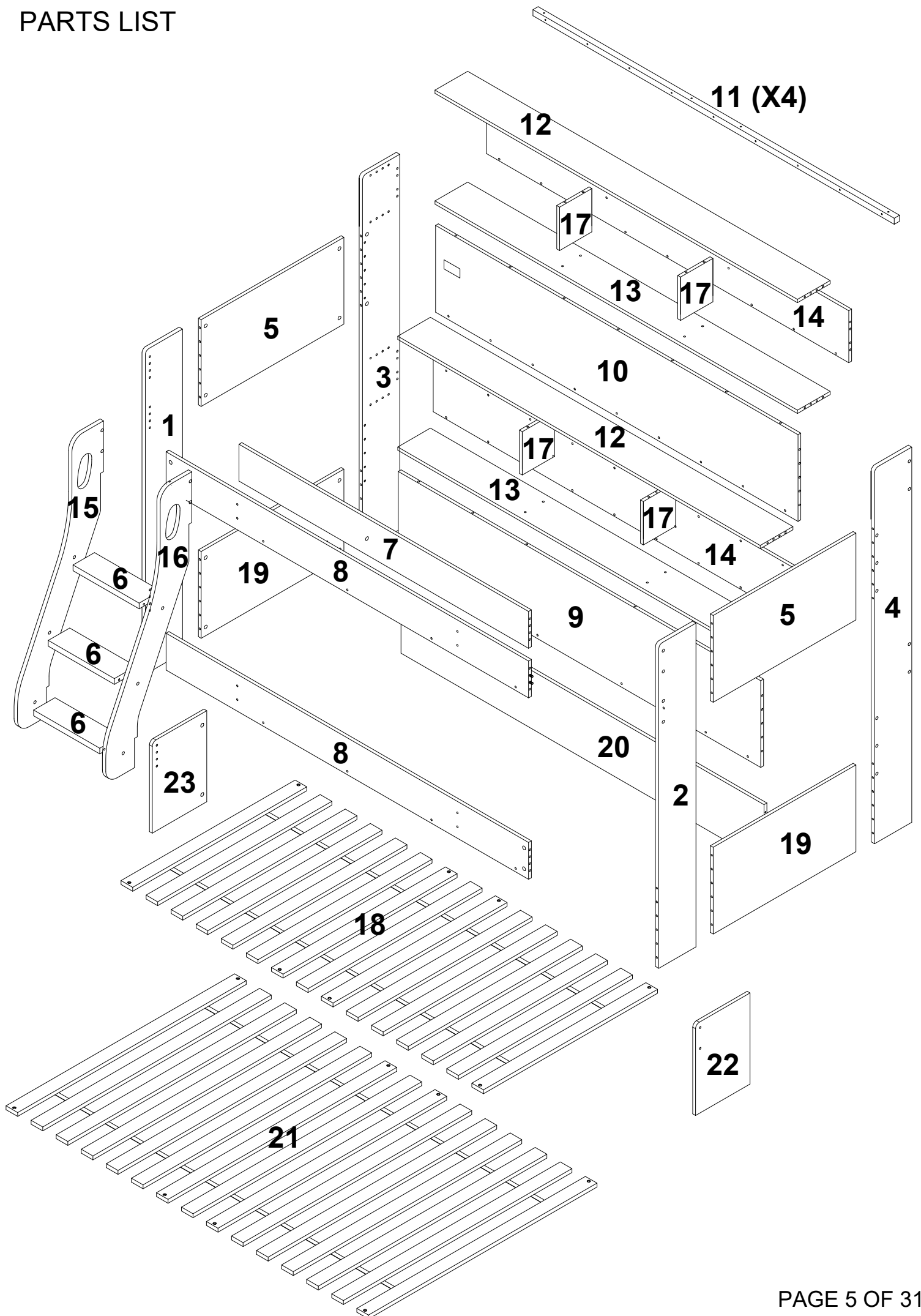
Carton 4 of 5

18	SLAT - TOP	15
21	SLAT - BOTTOM	15
22	FRONT LEG - RIGHT	1
23	FRONT LEG - LEFT	1
	HARDWARE BOX	1

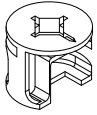
Carton 5 of 5

6	LADDER STEP	3
15	LADDER SIDE - LEFT	1
16	LADDER SIDE - RIGHT	1
17	CENTER SHELF	4

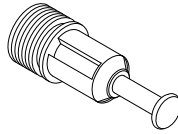
PARTS LIST



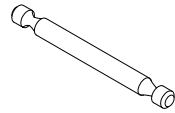
Hardware



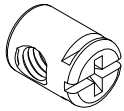
A x 74
5654 QUICKFIT HOUSING



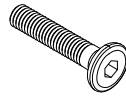
B x 34
5570 QUICKFIT BOLT



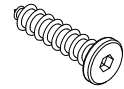
AF X 20
5857 MINIFIT BOLT



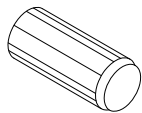
AC X 50
M6 X 13MM BARREL NUT



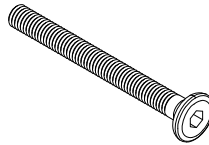
AA X 2
**M6 X 25MM JCBC
BOLT SCREW**



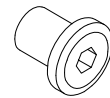
AE X 36
**M7 X 32MM JCBC-W
SCREW**



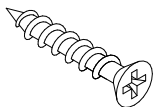
F X 152
M8 X 25MM PVC DOWEL



AB x 50
**M6 x 50mm JCBC
BOLT SCREW**



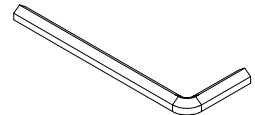
AD X 2
M6 X 12MM JOINT NUT



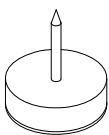
J X 20
**M4 X 38MM CHIPBOARD
SCREW**



Q X 112
Ø20MM PVC STICKER

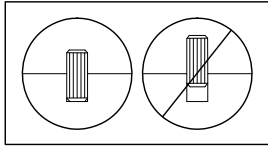


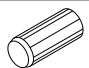

AG x 2
M4 ALLEN KEY

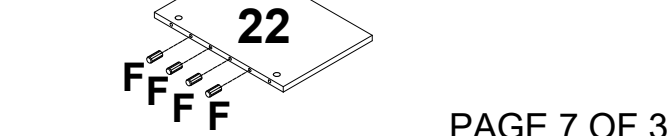
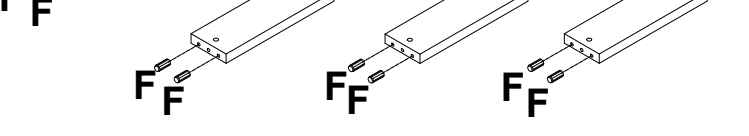
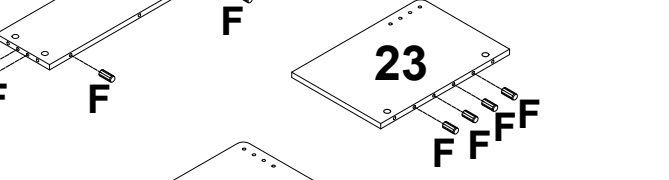
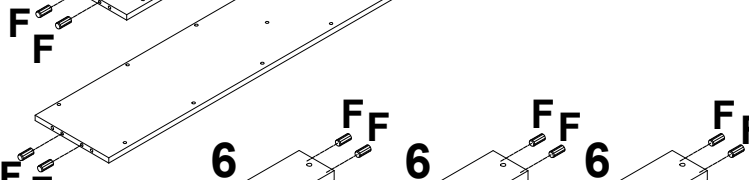
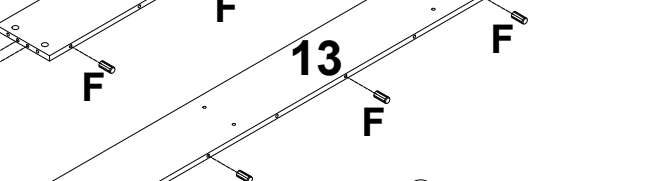
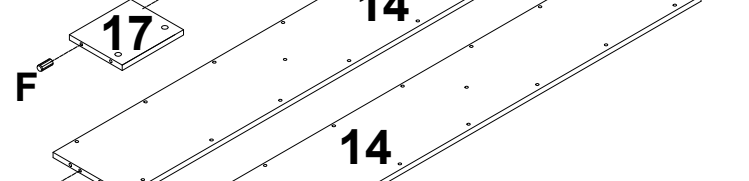
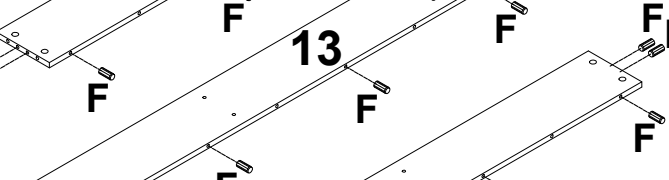
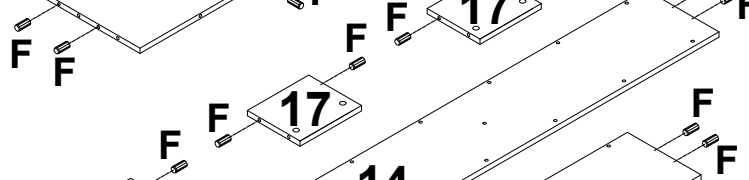
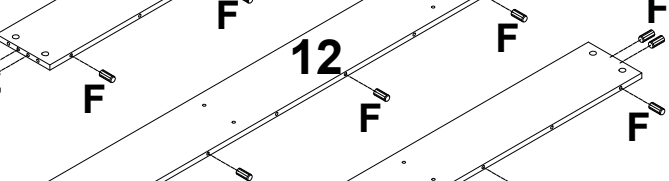
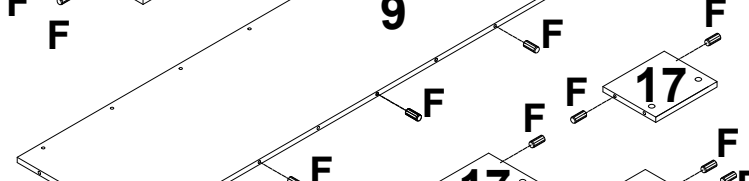
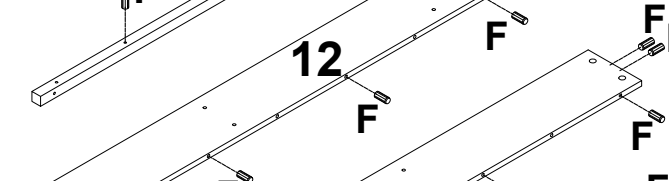
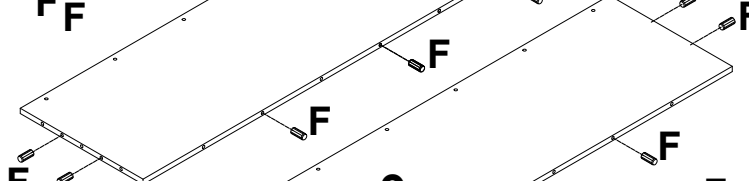
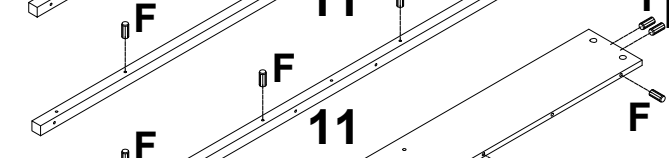
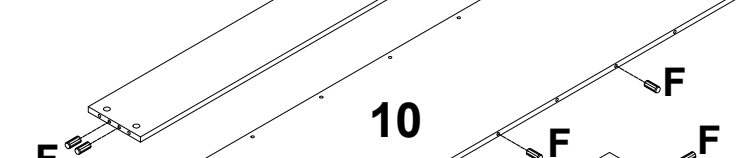
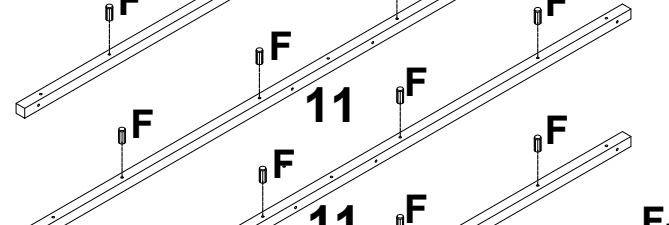
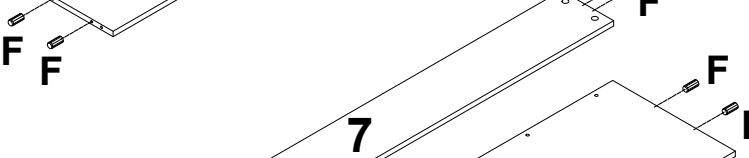
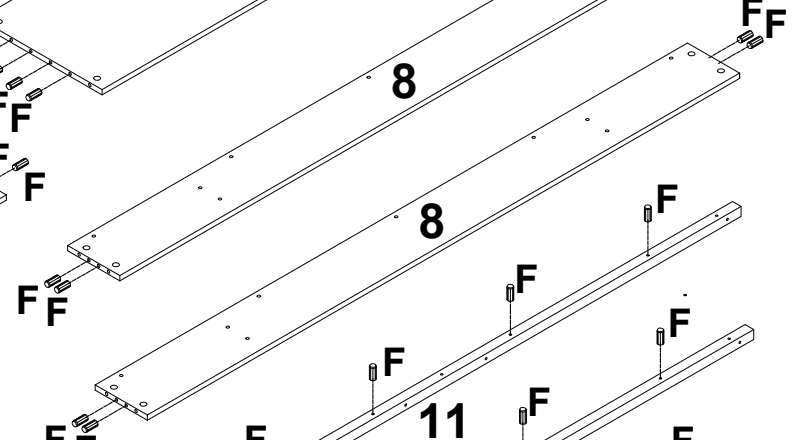
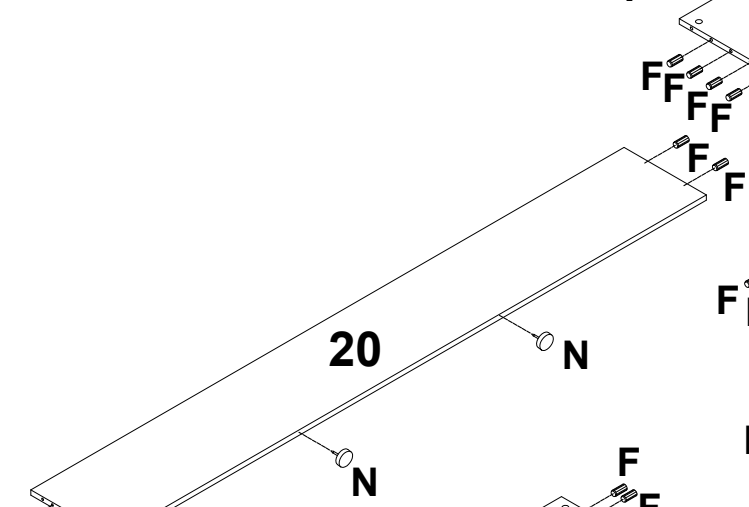
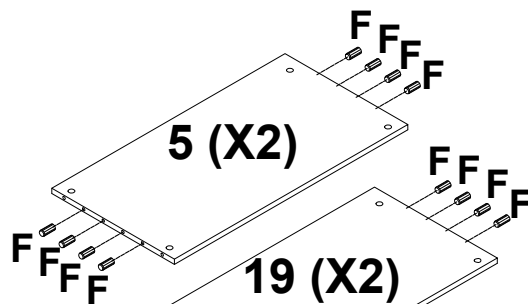


N X 2
5/8" PVC NAIL WITH PIN


Step 1



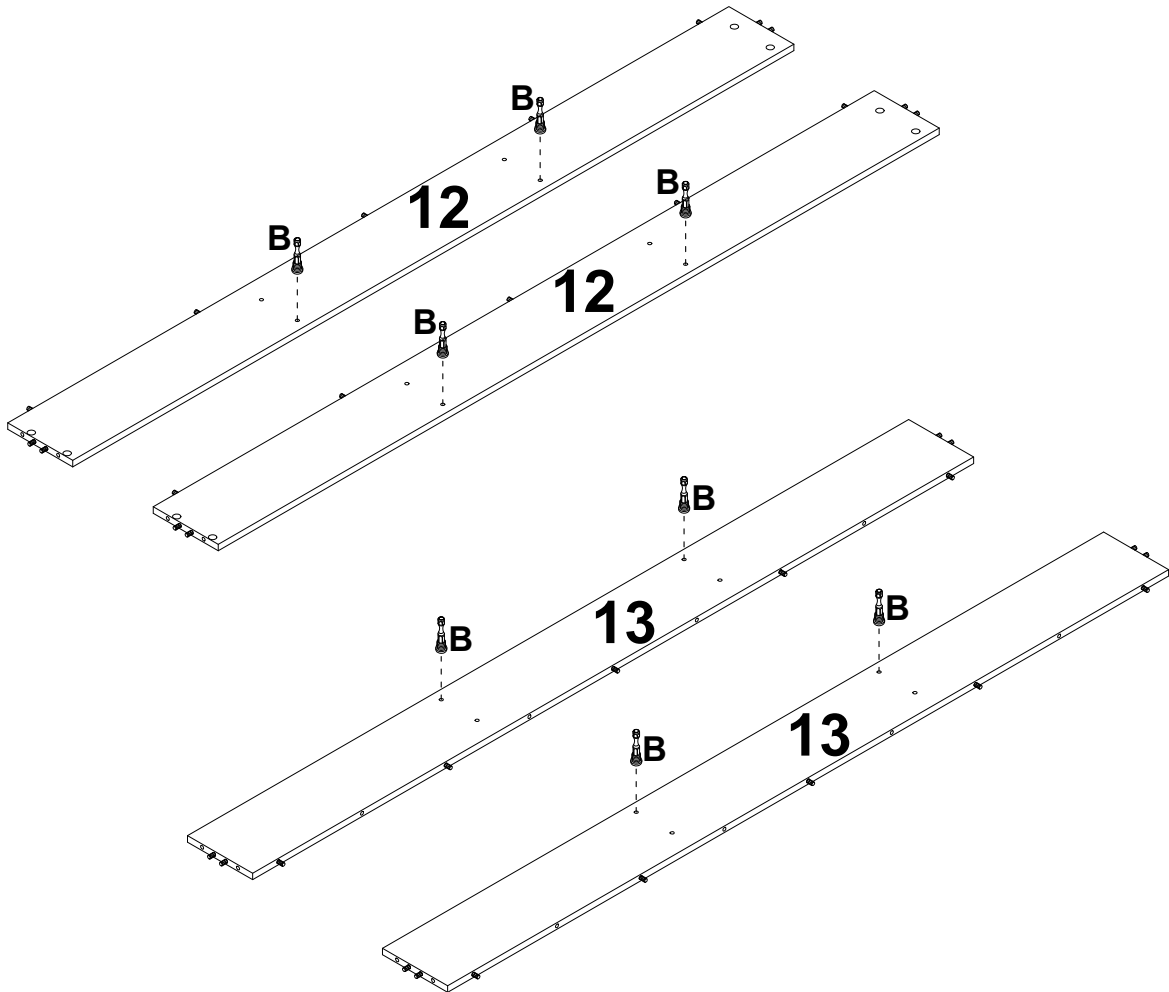
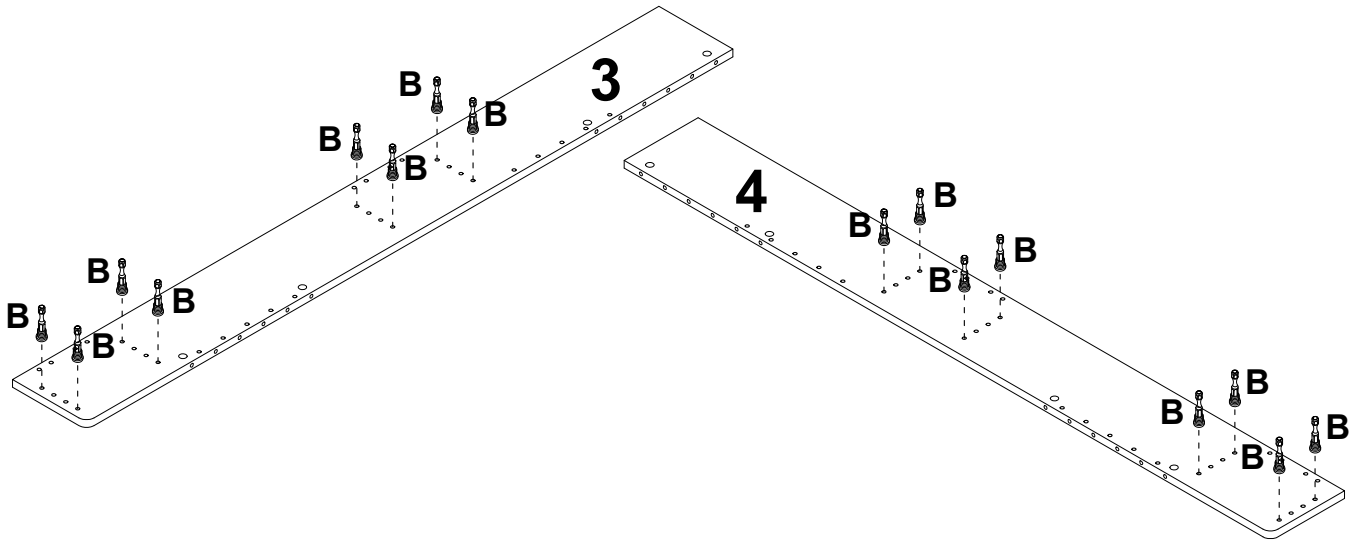
F		X152
N		X2



Step 2



B		X24
----------	--	------------

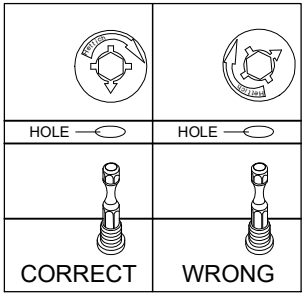
DO NOT use any power tools as this may damage the bed frame and will invalidate any claim



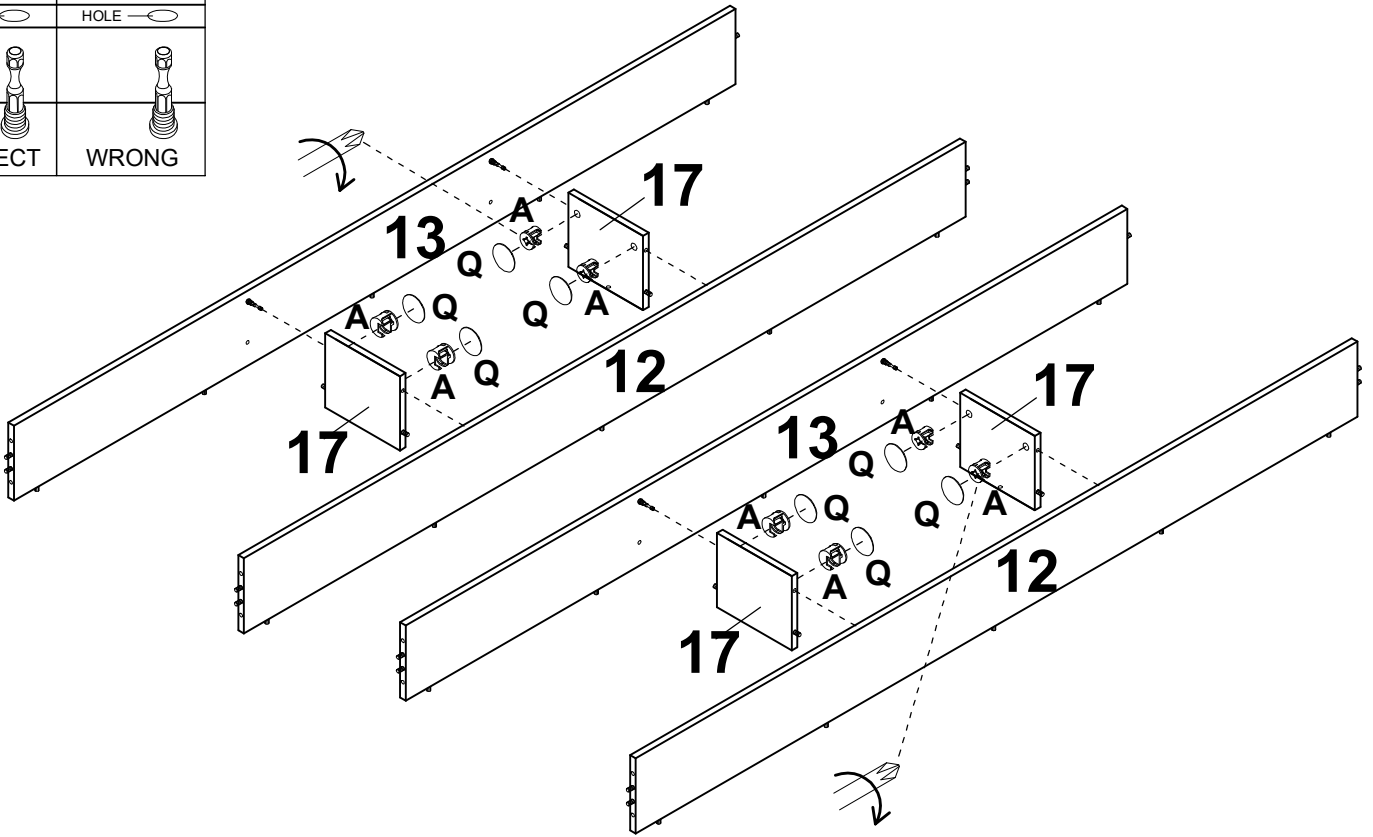
Step 3

DO NOT use any power tools as this may damage the bed frame and will invalidate any claim

A		X8
Q		X8




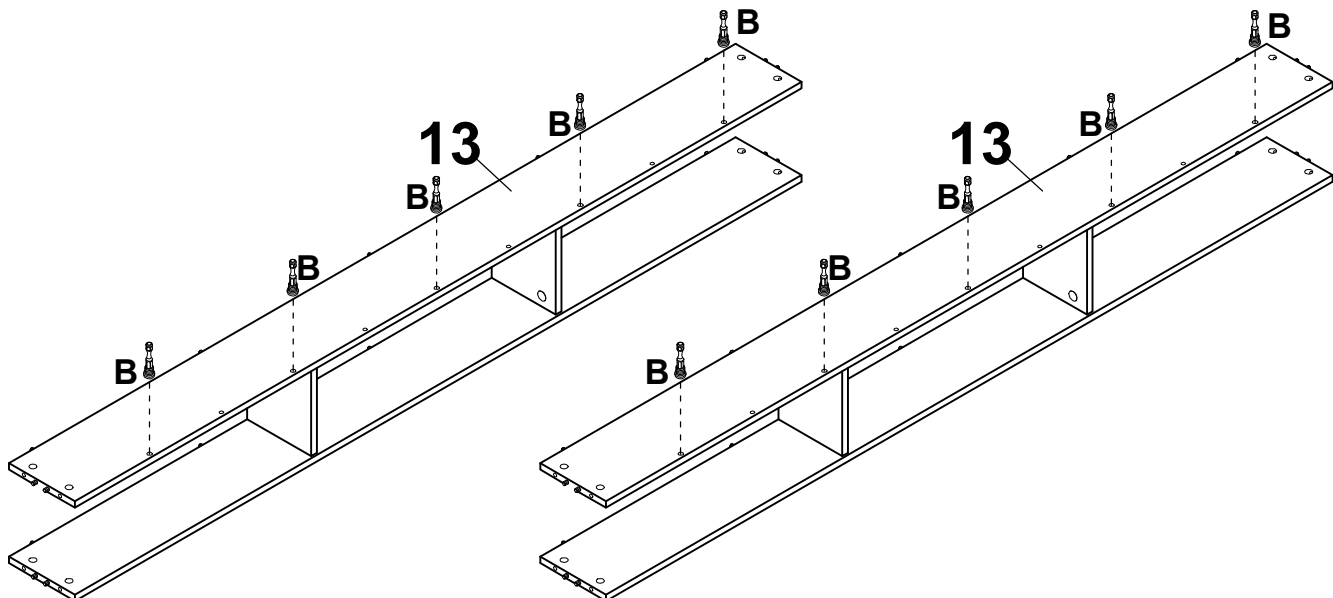
WHEN FITTING CAMS
ENSURE STARTING POSITION IS CORRECT BEFORE YOU INSERT CAMLOCK OR DRAWER CAMLOCK. TURN CLOCKWISE UNTIL SECURE



Step 4

DO NOT use any power tools as this may damage the bed frame and will invalidate any claim

B		X10
---	---	-----



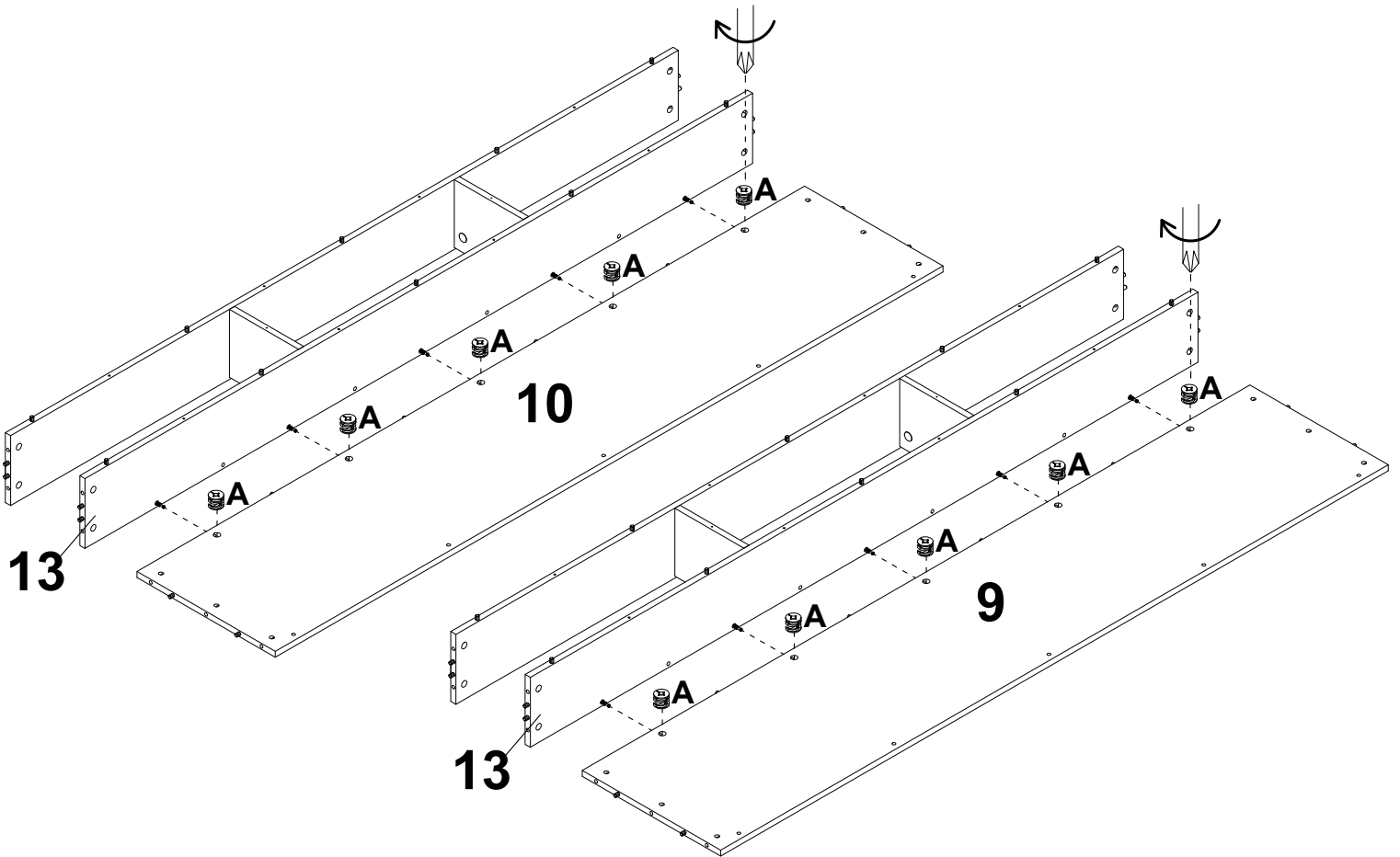
Step 5

A



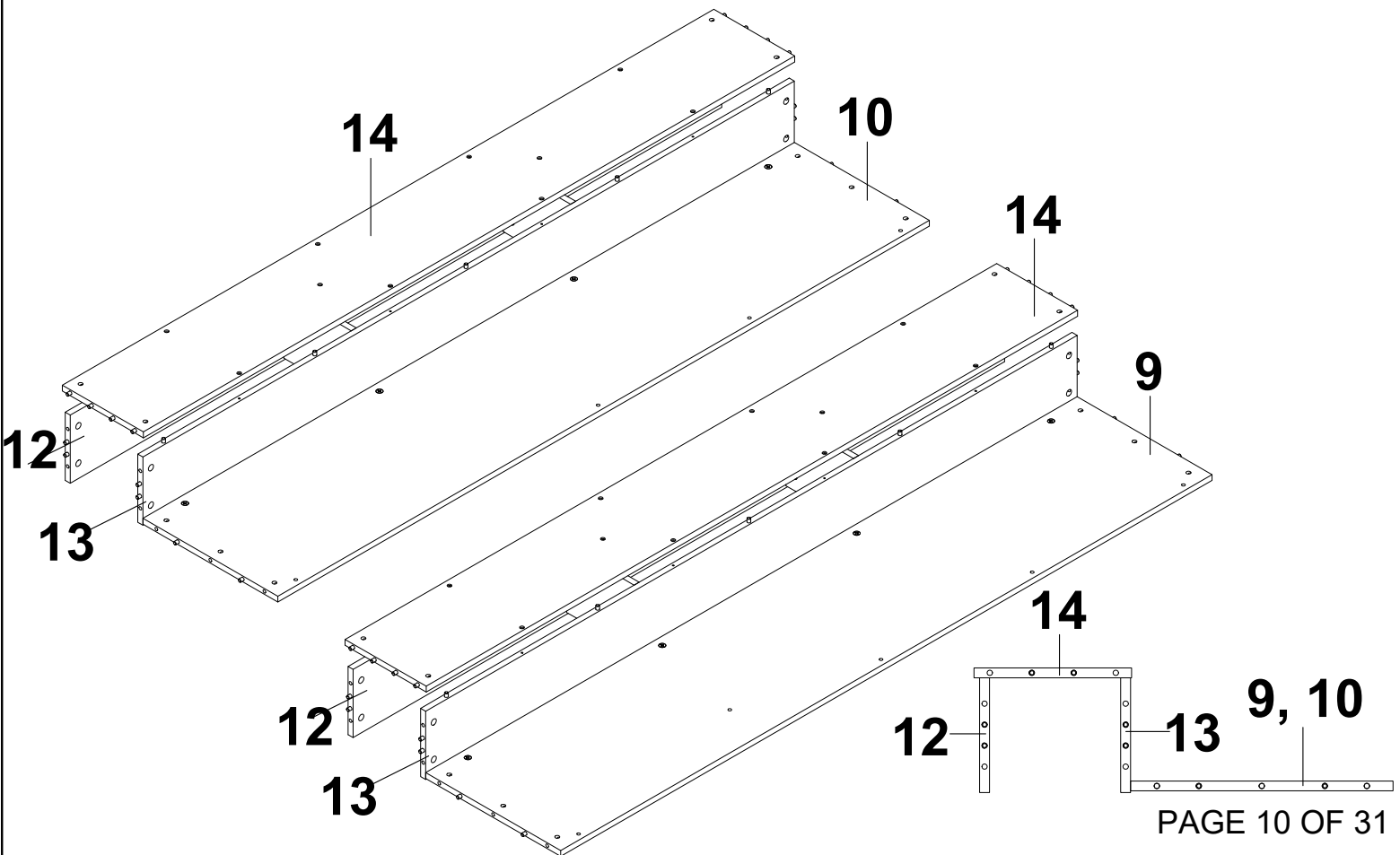
X10

DO NOT use any power tools as this may damage the bed frame and will invalidate any claim



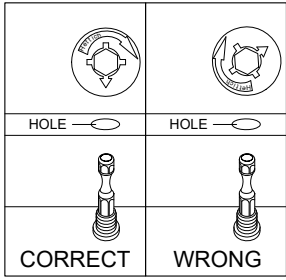
Step 6

DO NOT use any power tools as this may damage the bed frame and will invalidate any claim



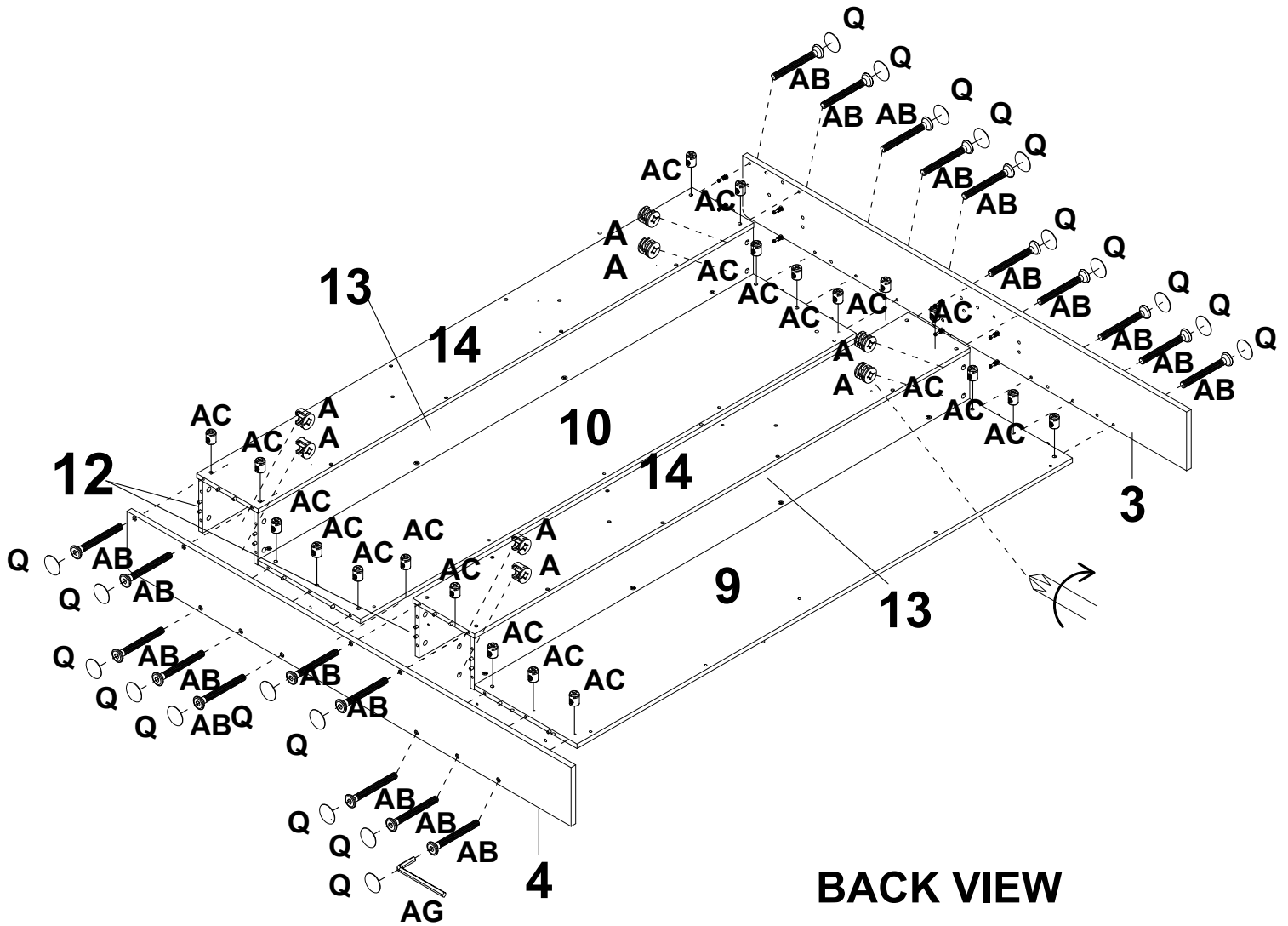
Step 7

DO NOT use any power tools as this may damage the bed frame and will invalidate any claim



WHEN FITTING CAMS
ENSURE STARTING POSITION IS CORRECT BEFORE YOU INSERT CAMLOCK OR DRAWER CAMLOCK. TURN CLOCKWISE UNTIL SECURE


A		X8
AC		X20
AB		X20
Q		X20
AG		X1

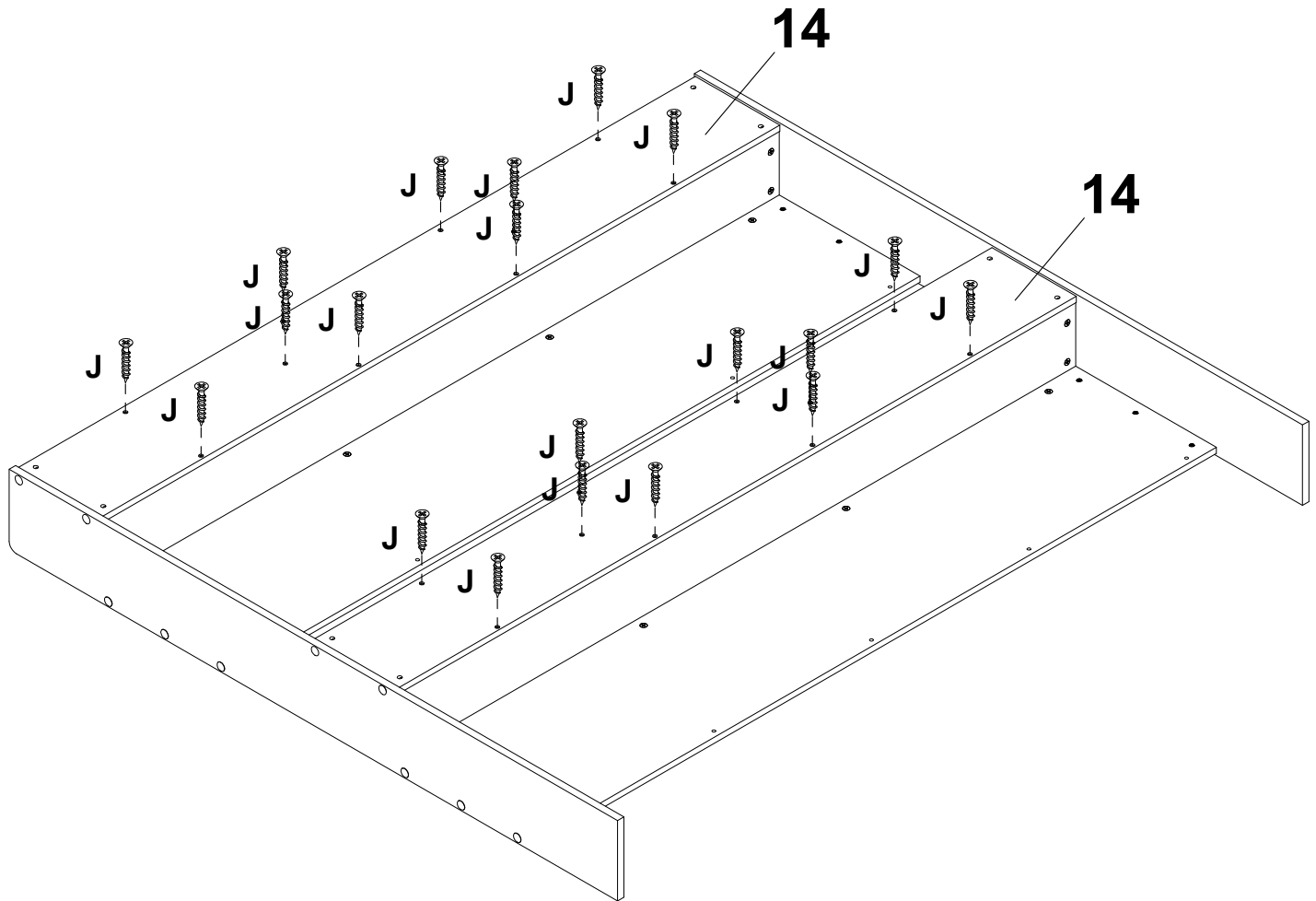


BACK VIEW

Step 8



DO NOT use any power tools as this may damage the bed frame and will invalidate any claim

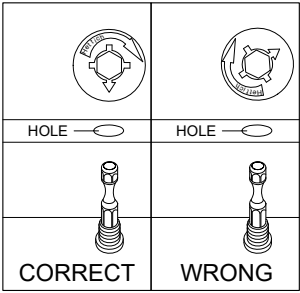
J		X20
---	--	-----



Step 9

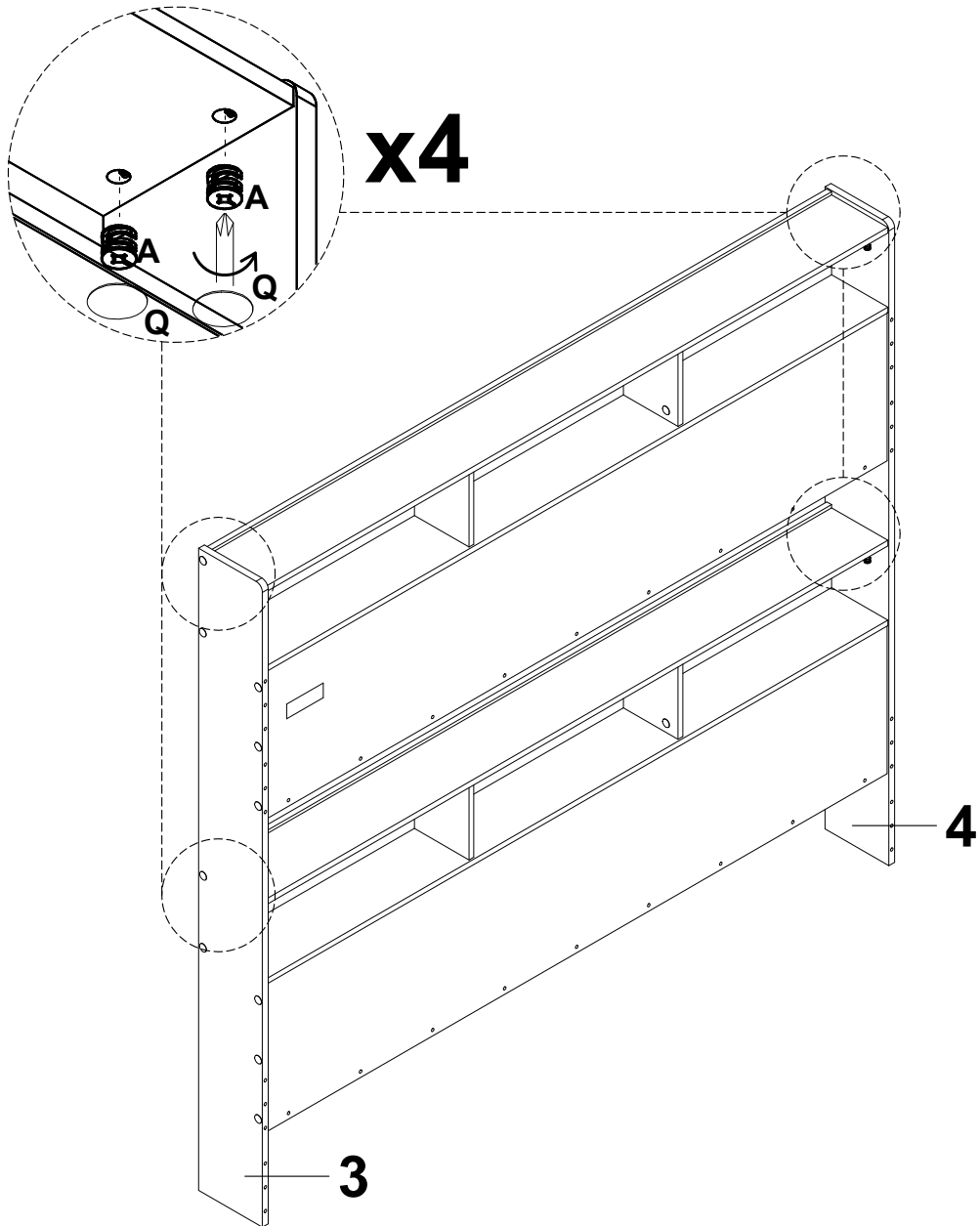
DO NOT use any power tools as this may damage the bed frame and will invalidate any claim

A		X8
Q		X8



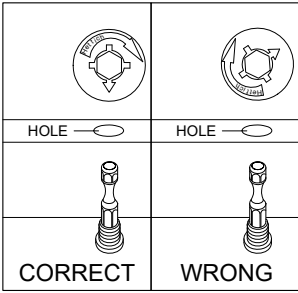
WHEN FITTING CAMS

ENSURE STARTING POSITION IS CORRECT BEFORE YOU INSERT CAMLOCK OR DRAWER CAMLOCK. TURN CLOCKWISE UNTIL SECURE



Step 10

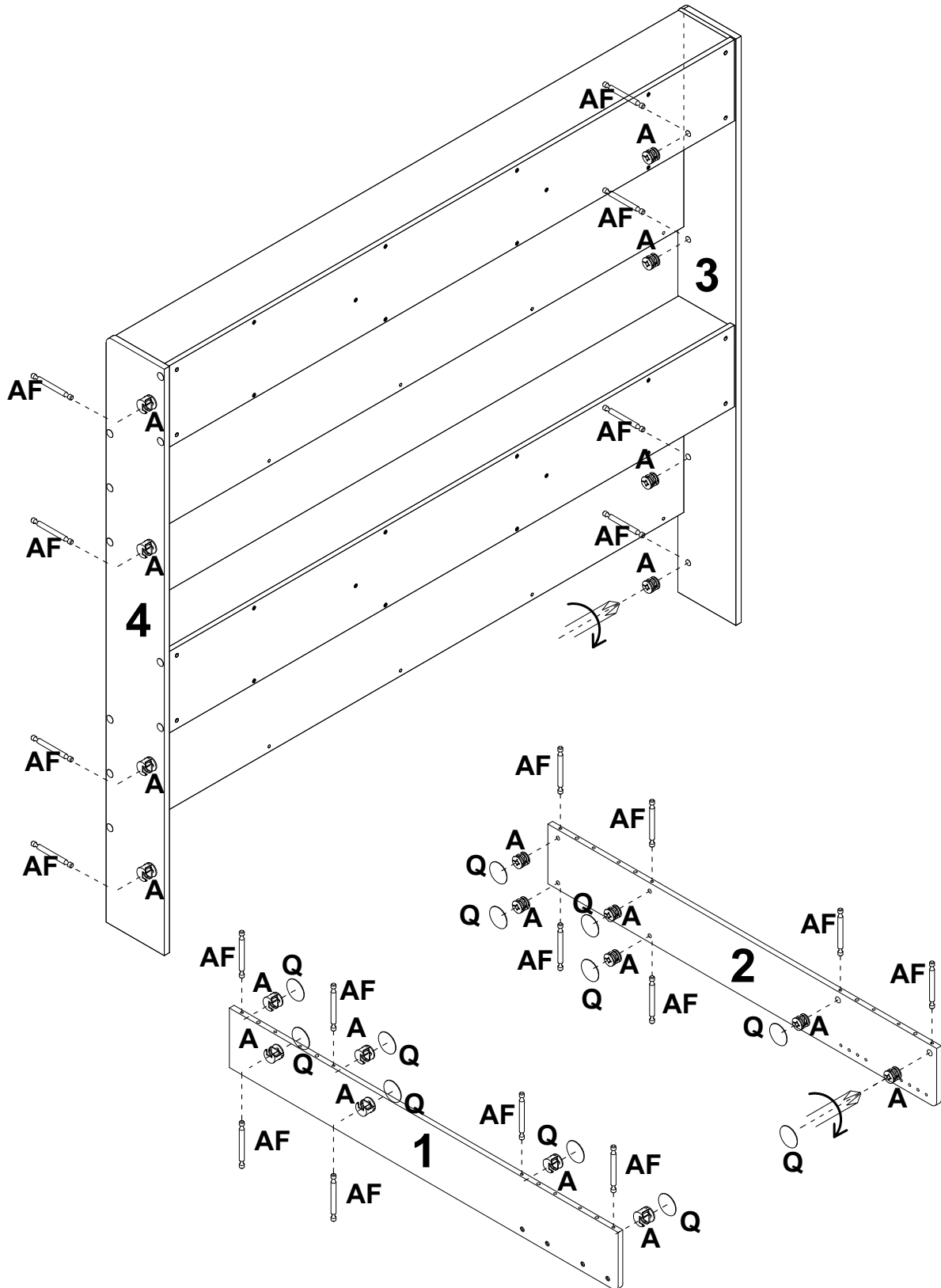
DO NOT use any power tools as this may damage the bed frame and will invalidate any claim



WHEN FITTING CAMS



ENSURE STARTING POSITION IS CORRECT BEFORE YOU INSERT CAMLOCK OR DRAWER CAMLOCK. TURN CLOCKWISE UNTIL SECURE

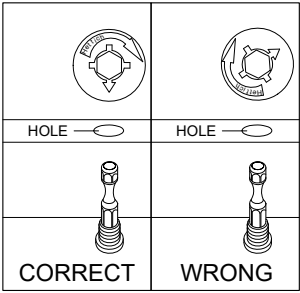
A		X20
AF		X20
Q		X12



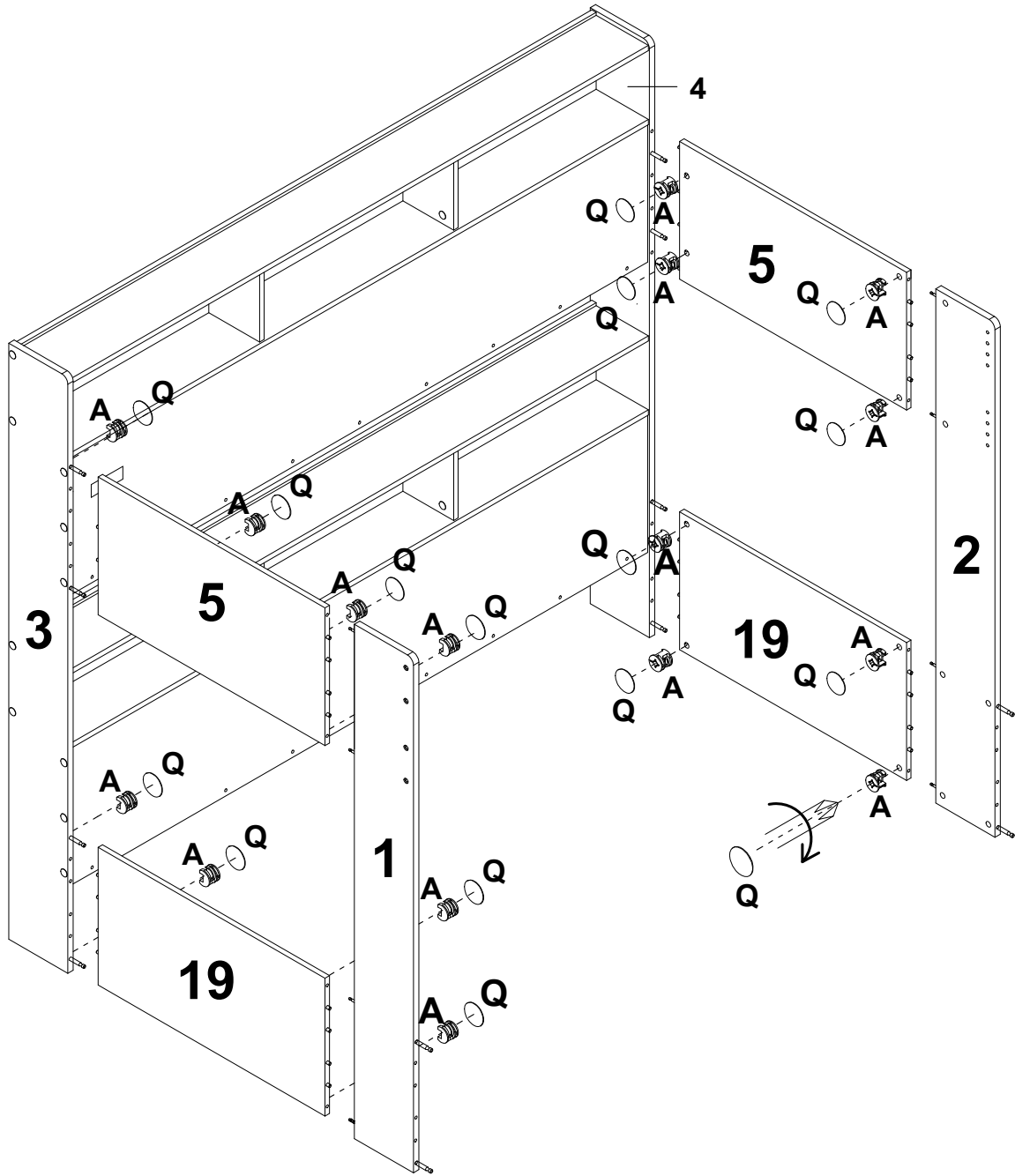
Step 11

DO NOT use any power tools as this may damage the bed frame and will invalidate any claim

A		X16
Q		X16







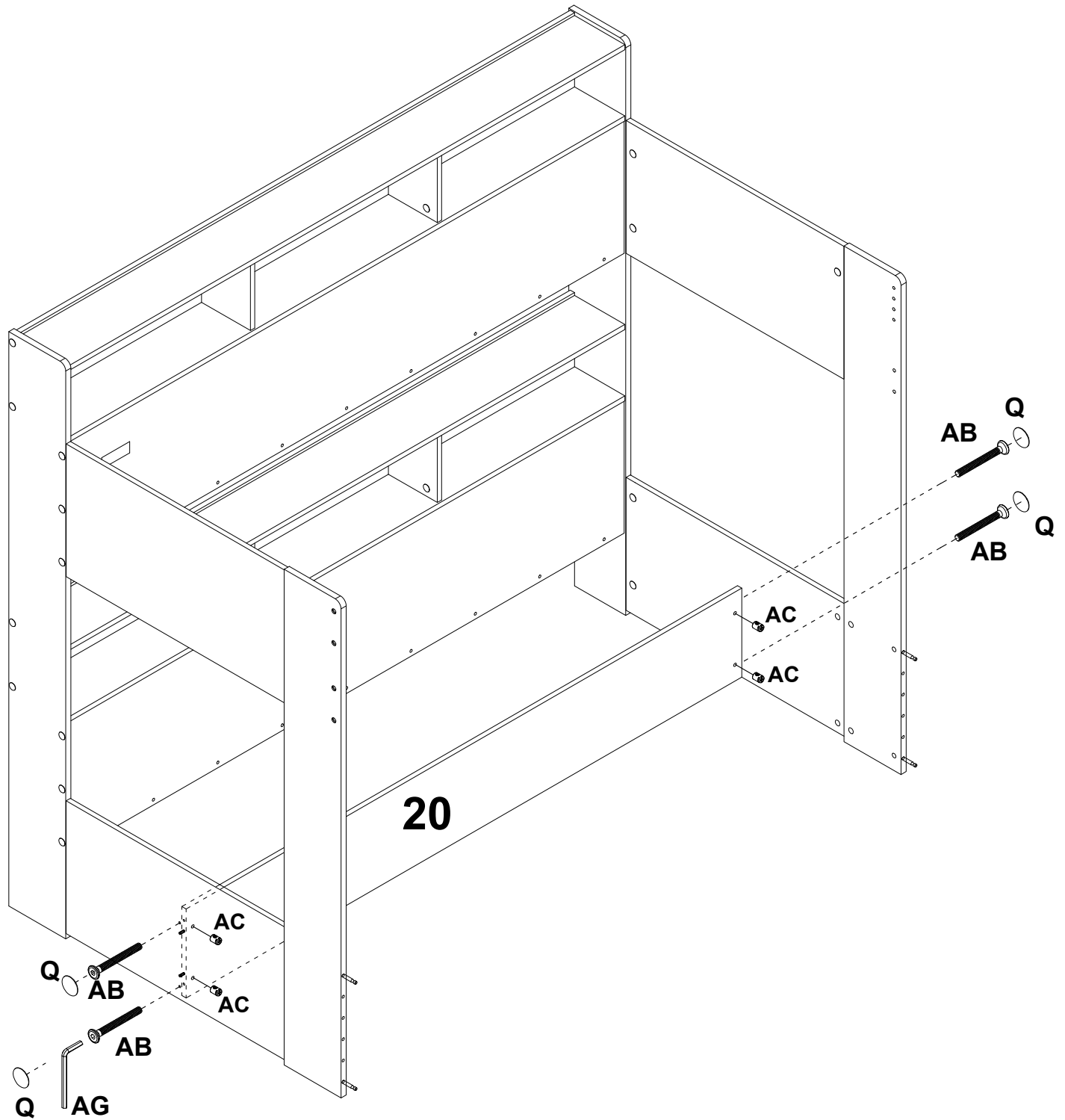
WHEN FITTING CAMS
 ENSURE STARTING POSITION IS CORRECT BEFORE YOU INSERT CAMLOCK OR DRAWER CAMLOCK. TURN CLOCKWISE UNTIL SECURE



Step 12



DO NOT use any power tools as this may damage the bed frame and will invalidate any claim

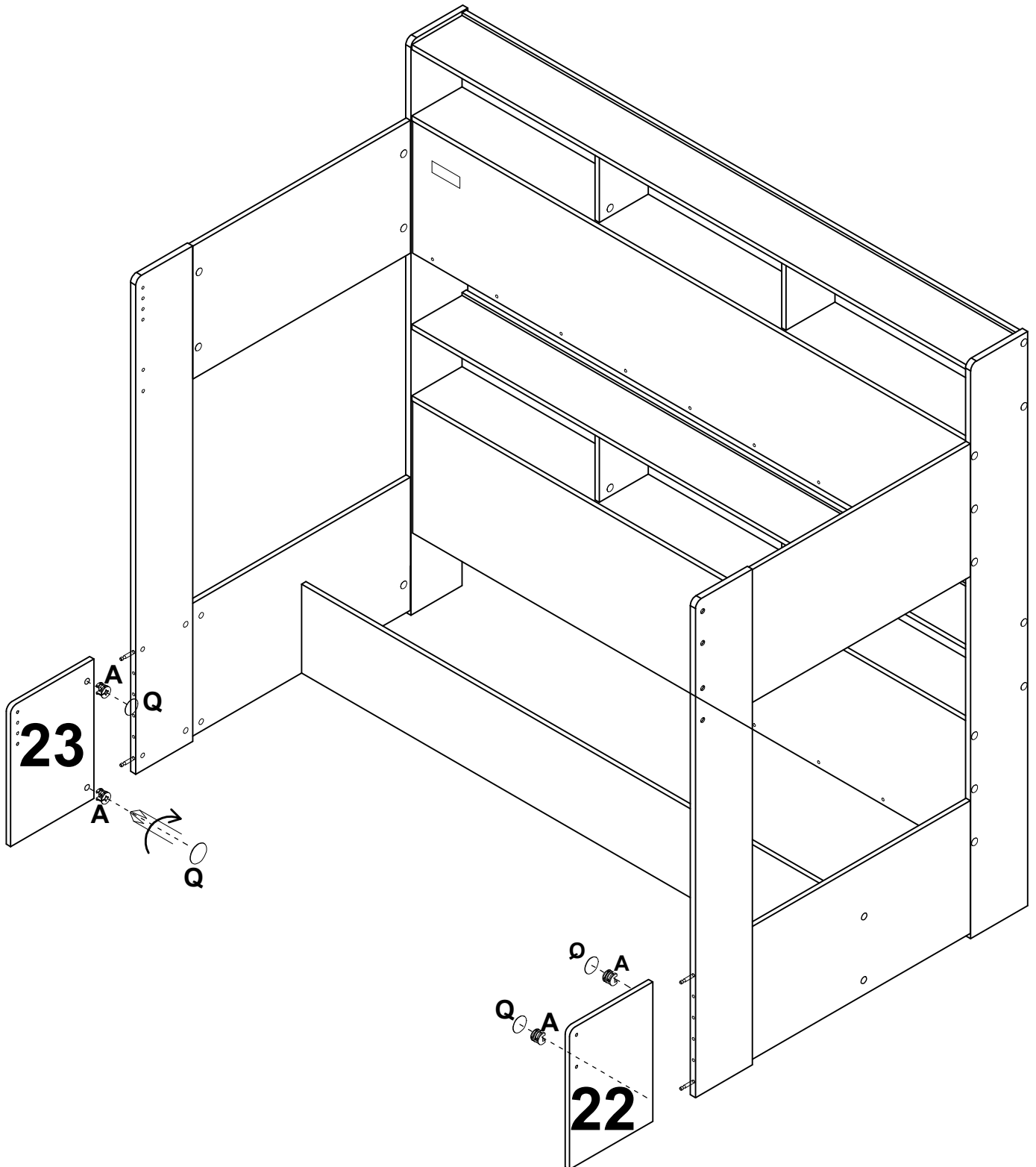
AC		X4
AB		X4
Q		X4
AG		X1



Step 13





DO NOT use any power tools as this may damage the bed frame and will invalidate any claim

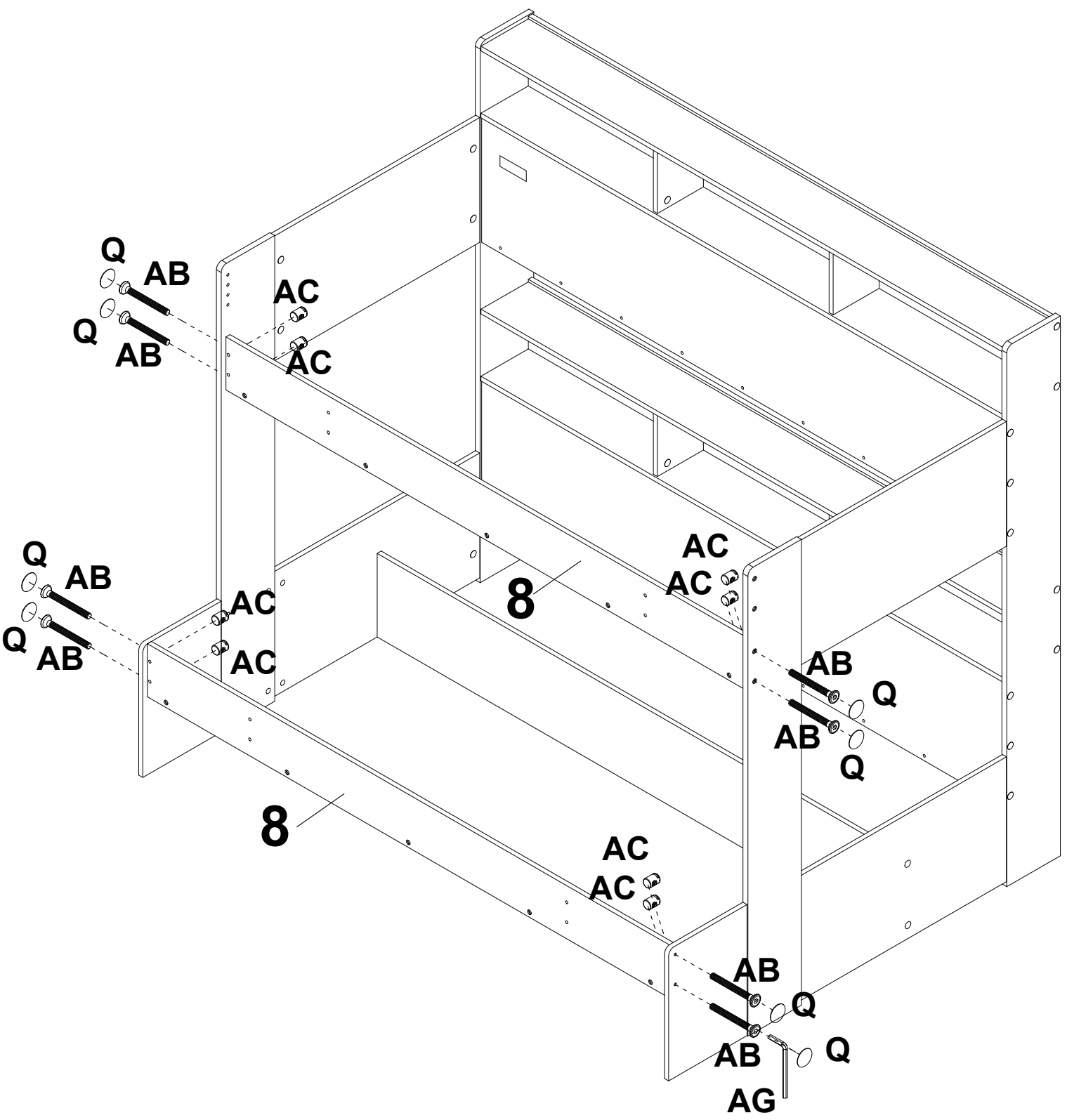
A		X4
Q		X4



Step 14

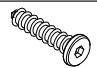


DO NOT use any power tools as this may damage the bed frame and will invalidate any claim

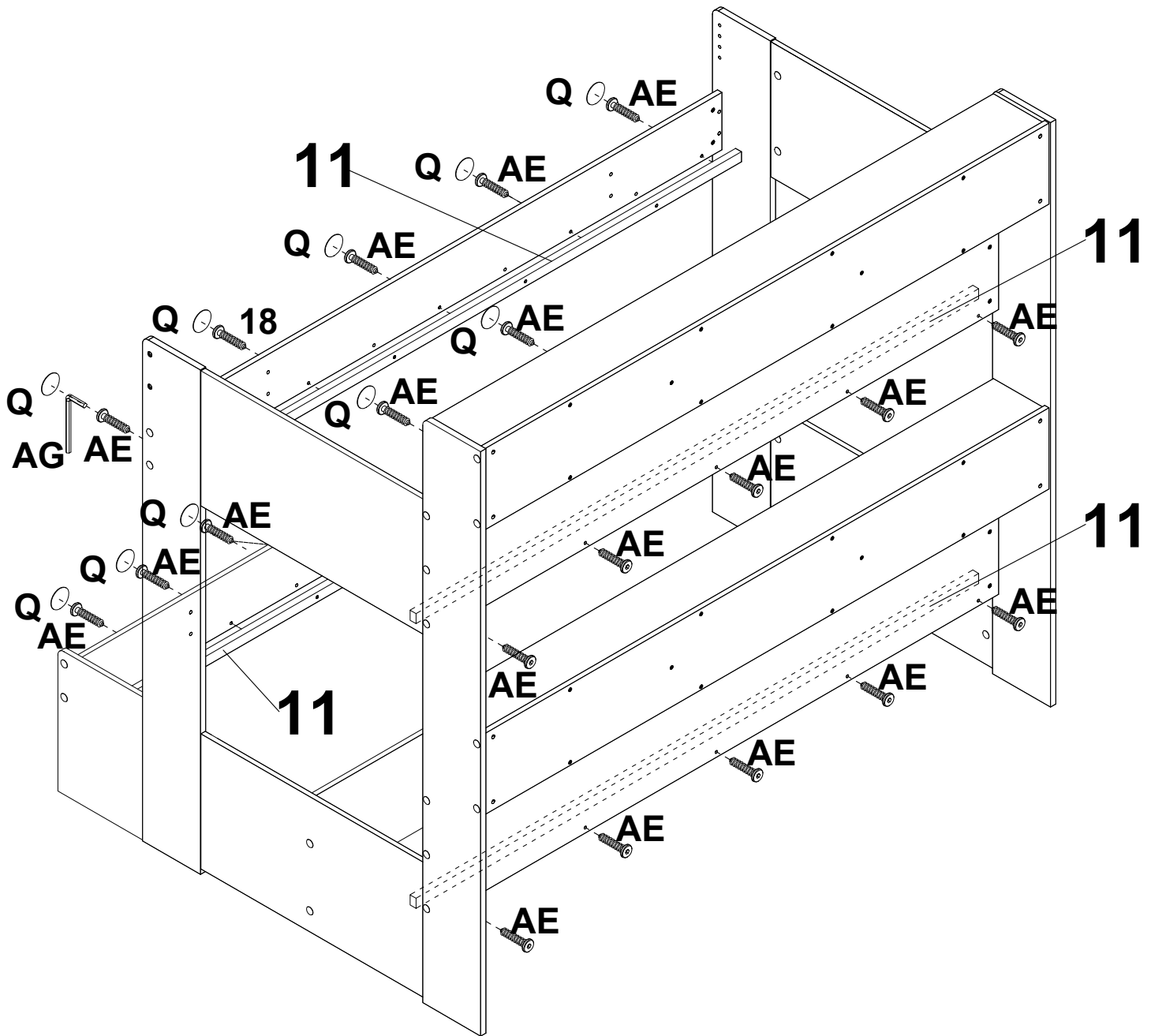
AC		X8
AB		X8
Q		X8
AG		X1



Step 15





DO NOT use any power tools as this may damage the bed frame and will invalidate any claim

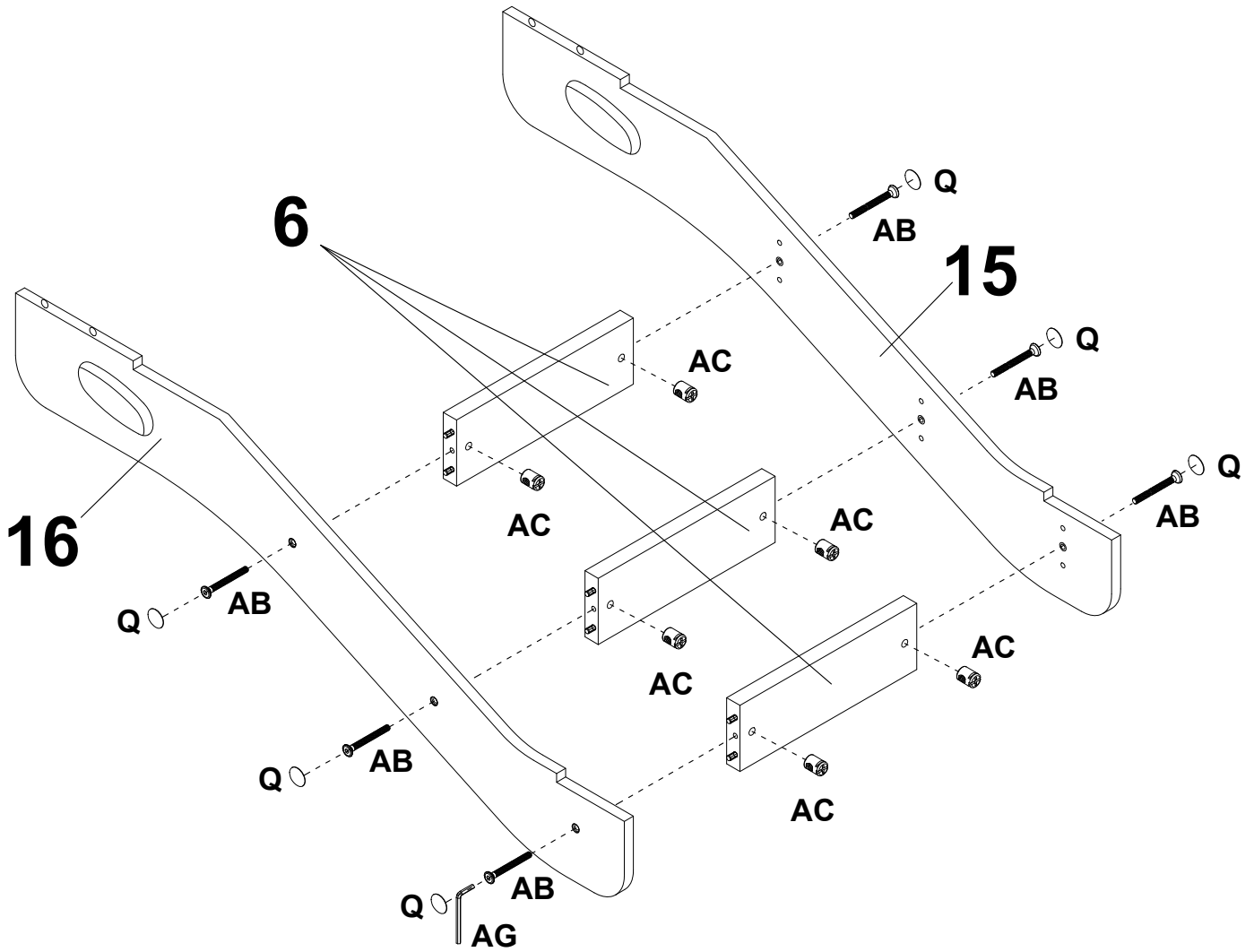
AE		X20
Q		X10
AG		X1



Step 16

DO NOT use any power tools as this may damage the bed frame and will invalidate any claim




AC		X6
AB		X6
Q		X6
AG		X1

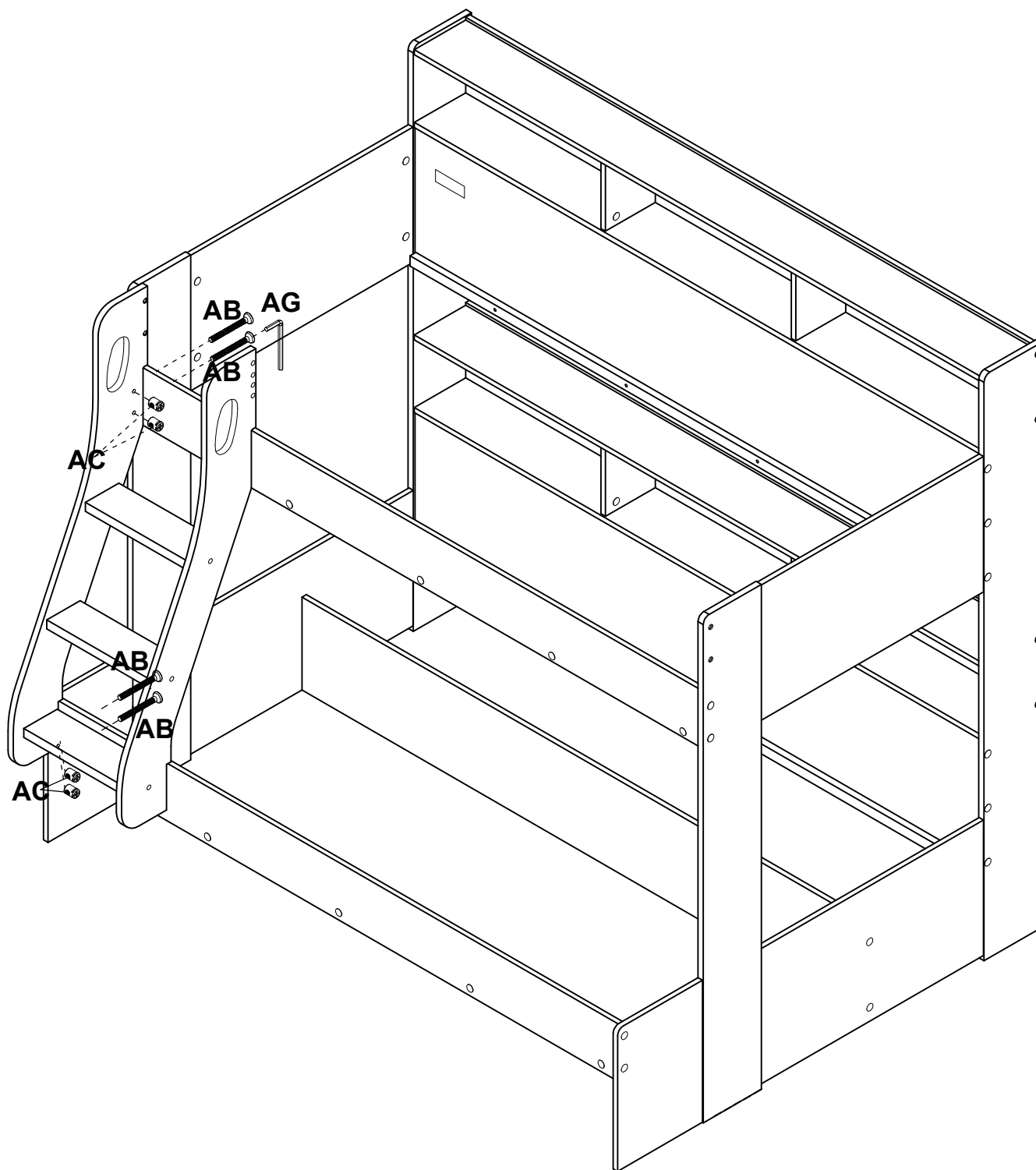


OPTION 1 : LEFT SIDE LADDER

Step 17





DO NOT use any power tools as this may damage the bed frame and will invalidate any claim

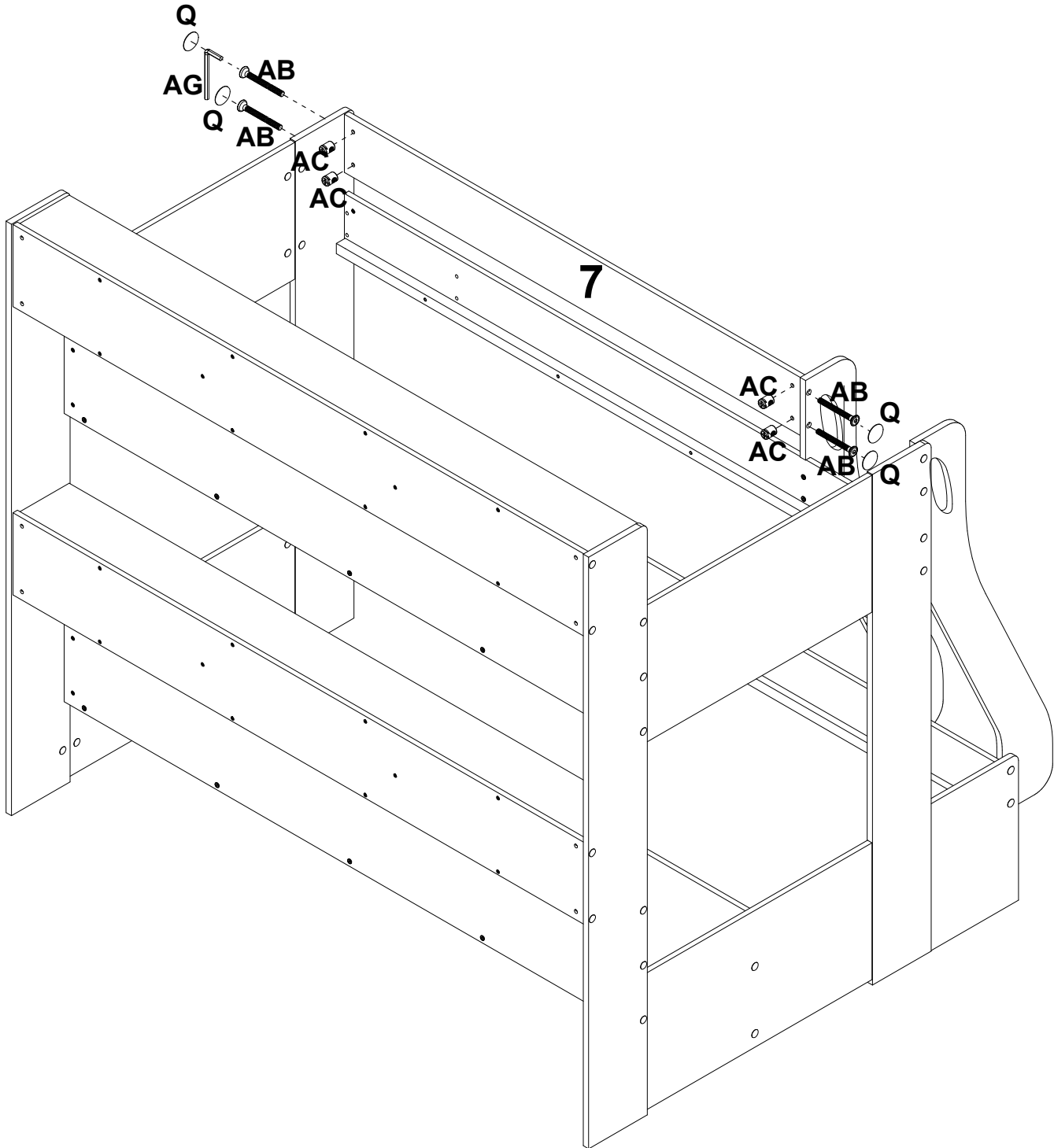
AC		X4
AB		X4
AG		X1



Step 18

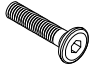





DO NOT use any power tools as this may damage the bed frame and will invalidate any claim

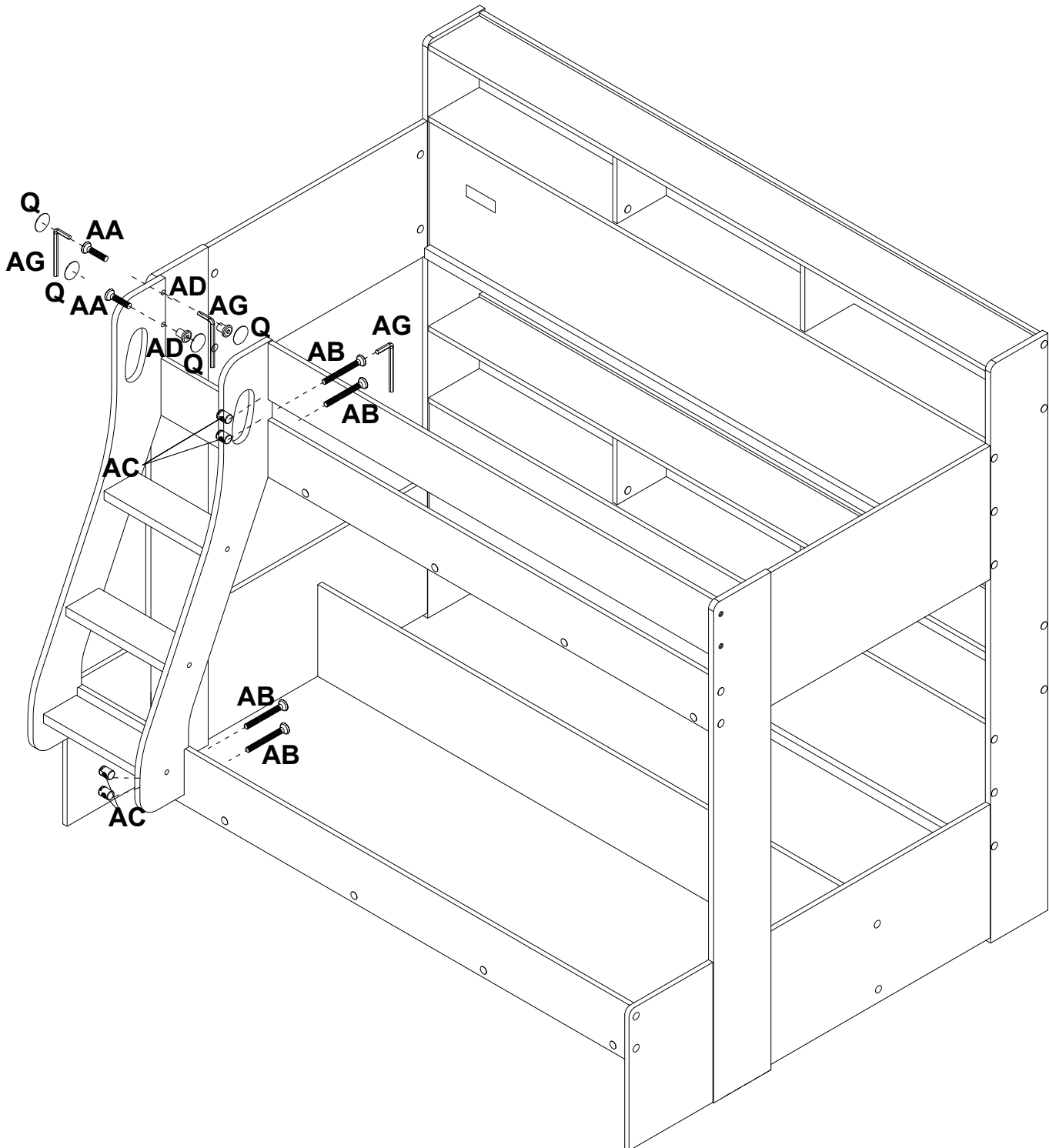
AC		X4
AB		X4
Q		X4
AG		X1



Step 19

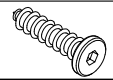

DO NOT use any power tools as this may damage the bed frame and will invalidate any claim

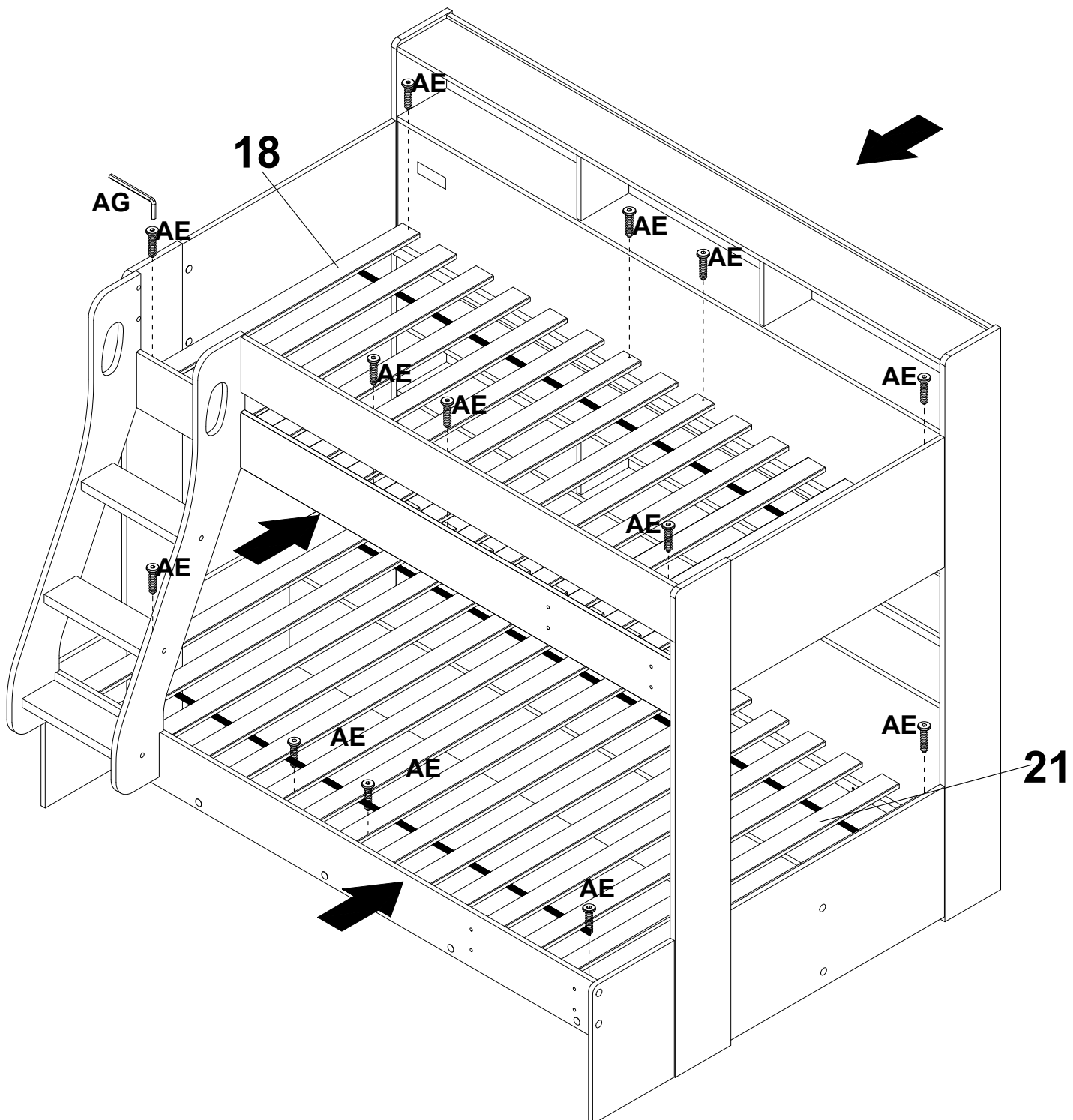
AA		X2
AD		X2
Q		X4
AG		X2
AC		X4
AB		X4



Step 20

DO NOT use any power tools as this may damage the bed frame and will invalidate any claim

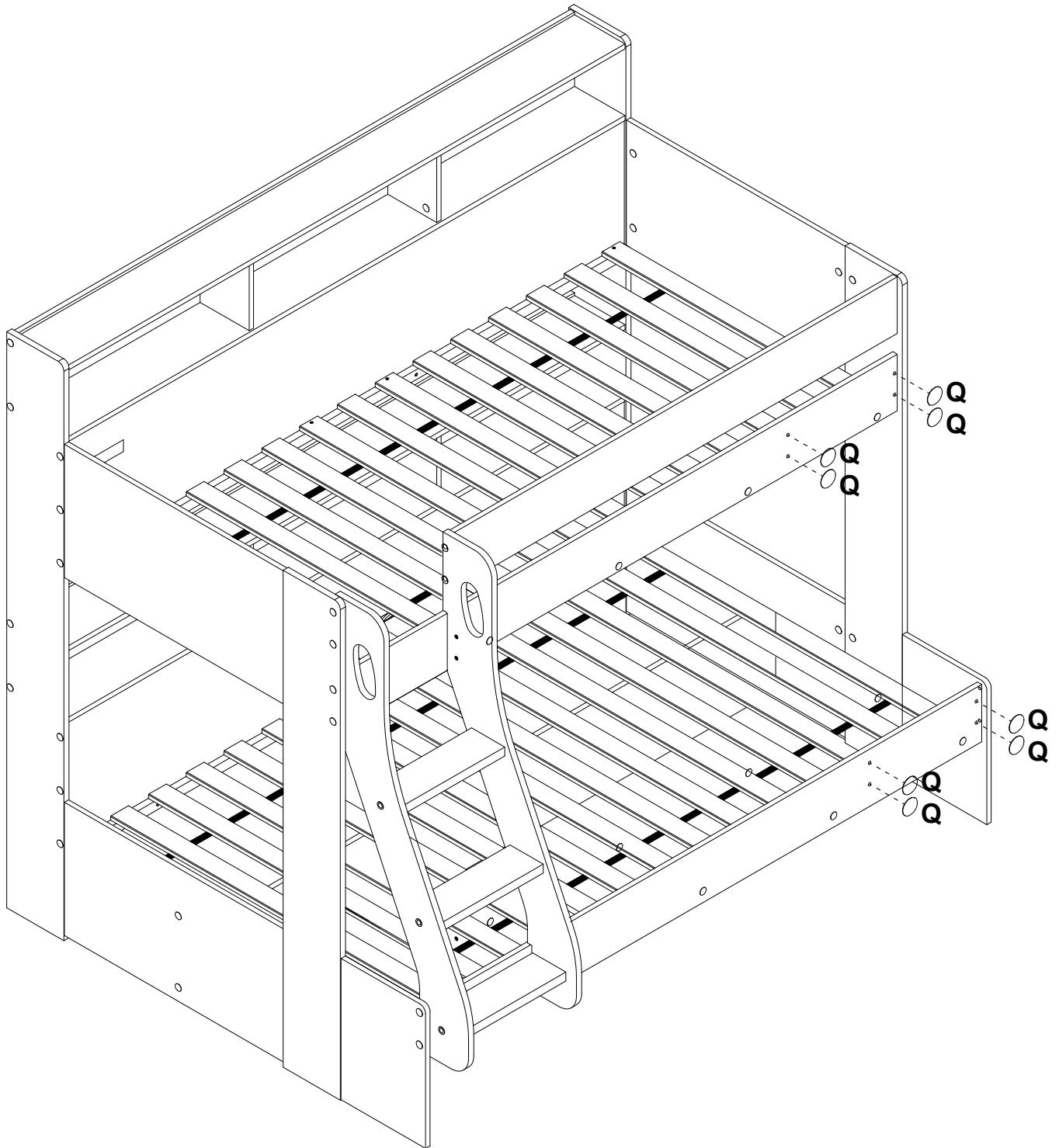
AE		X16
AG		X1



Step 21

Q		X8
---	--	----




DO NOT use any power tools as this may damage the bed frame and will invalidate any claim

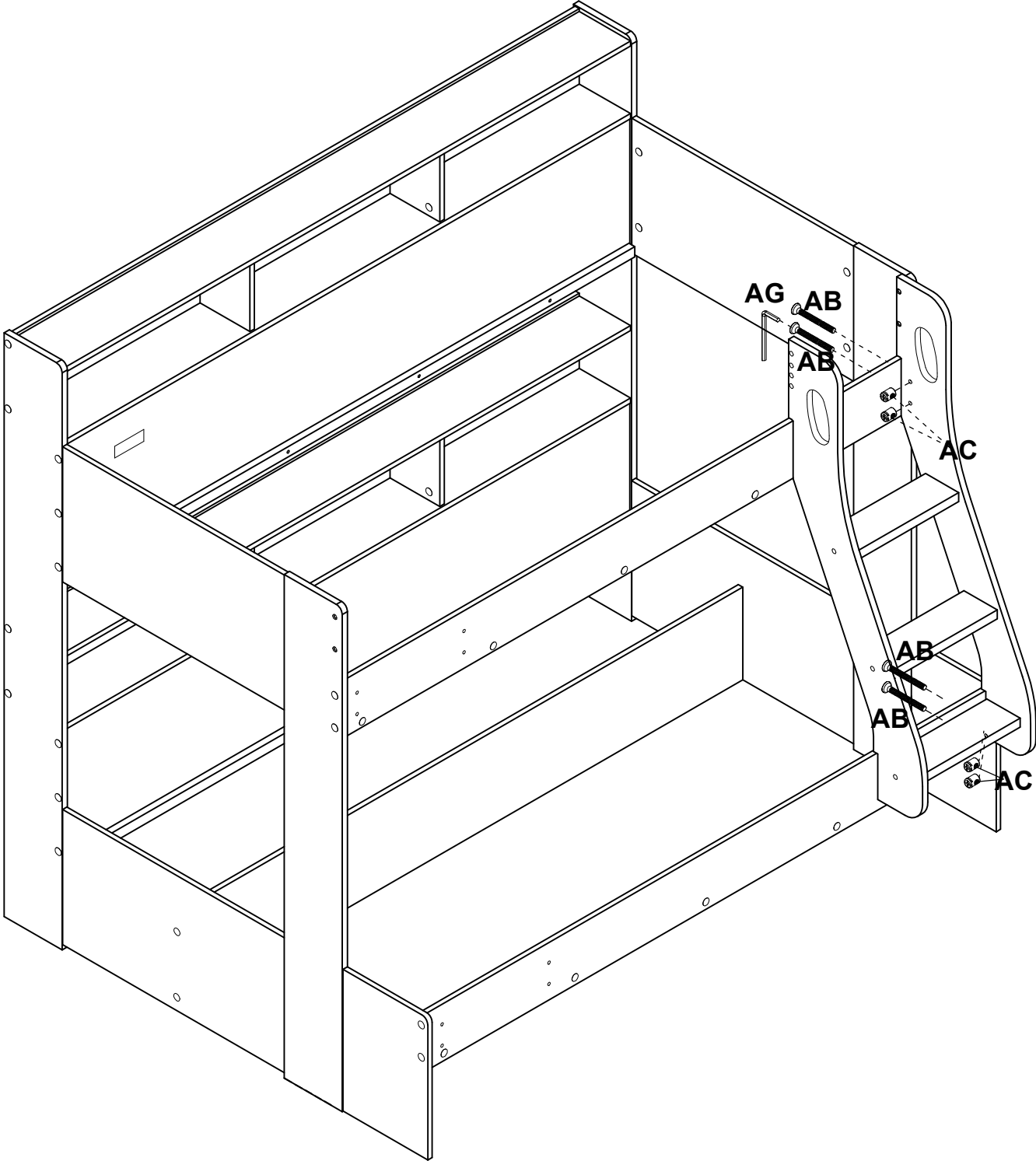


OPTION 2 : RIGHT SIDE LADDER

Step 17





DO NOT use any power tools as this may damage the bed frame and will invalidate any claim

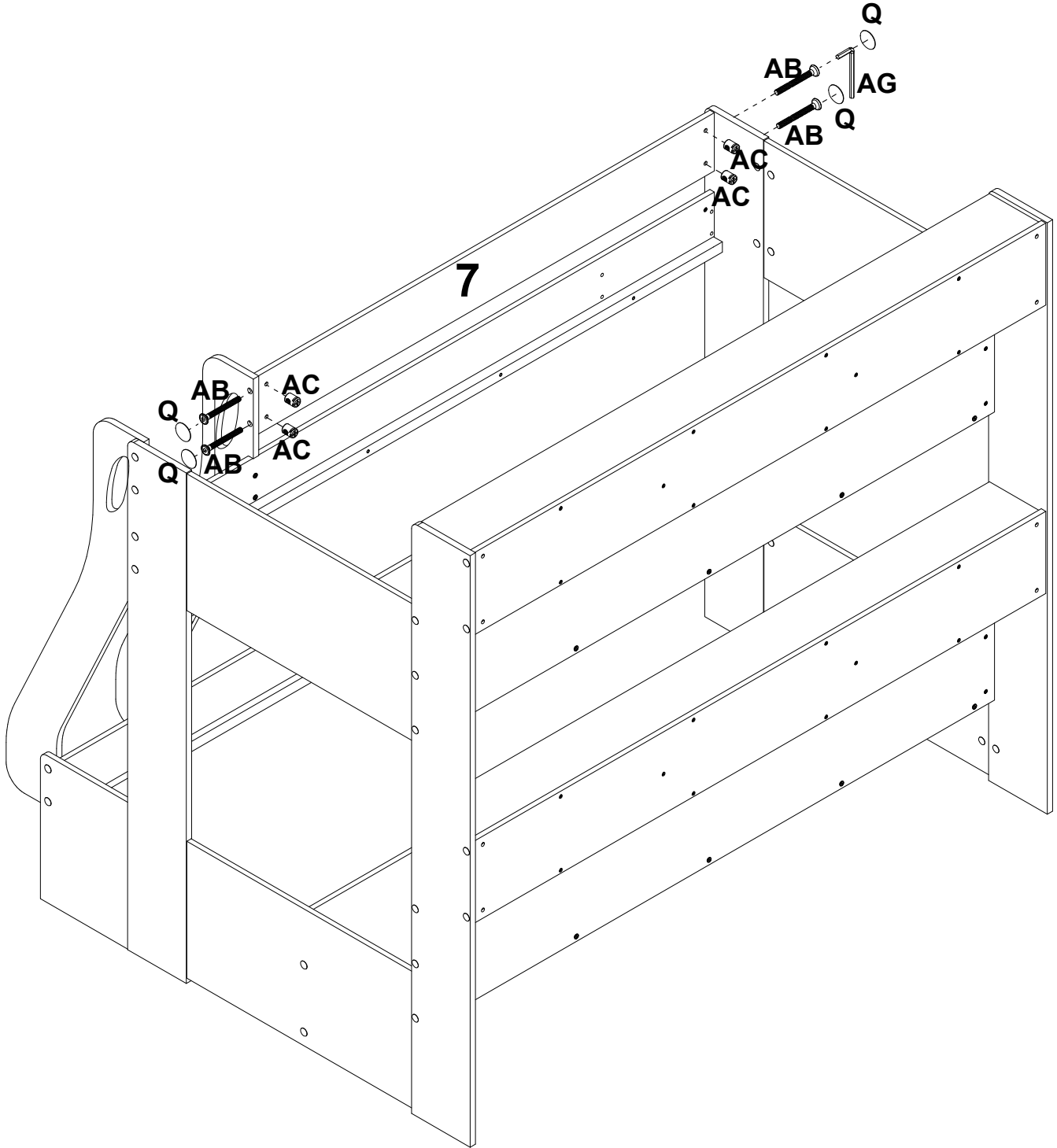
AC		X4
AB		X4
AG		X1



Step 18

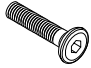





DO NOT use any power tools as this may damage the bed frame and will invalidate any claim

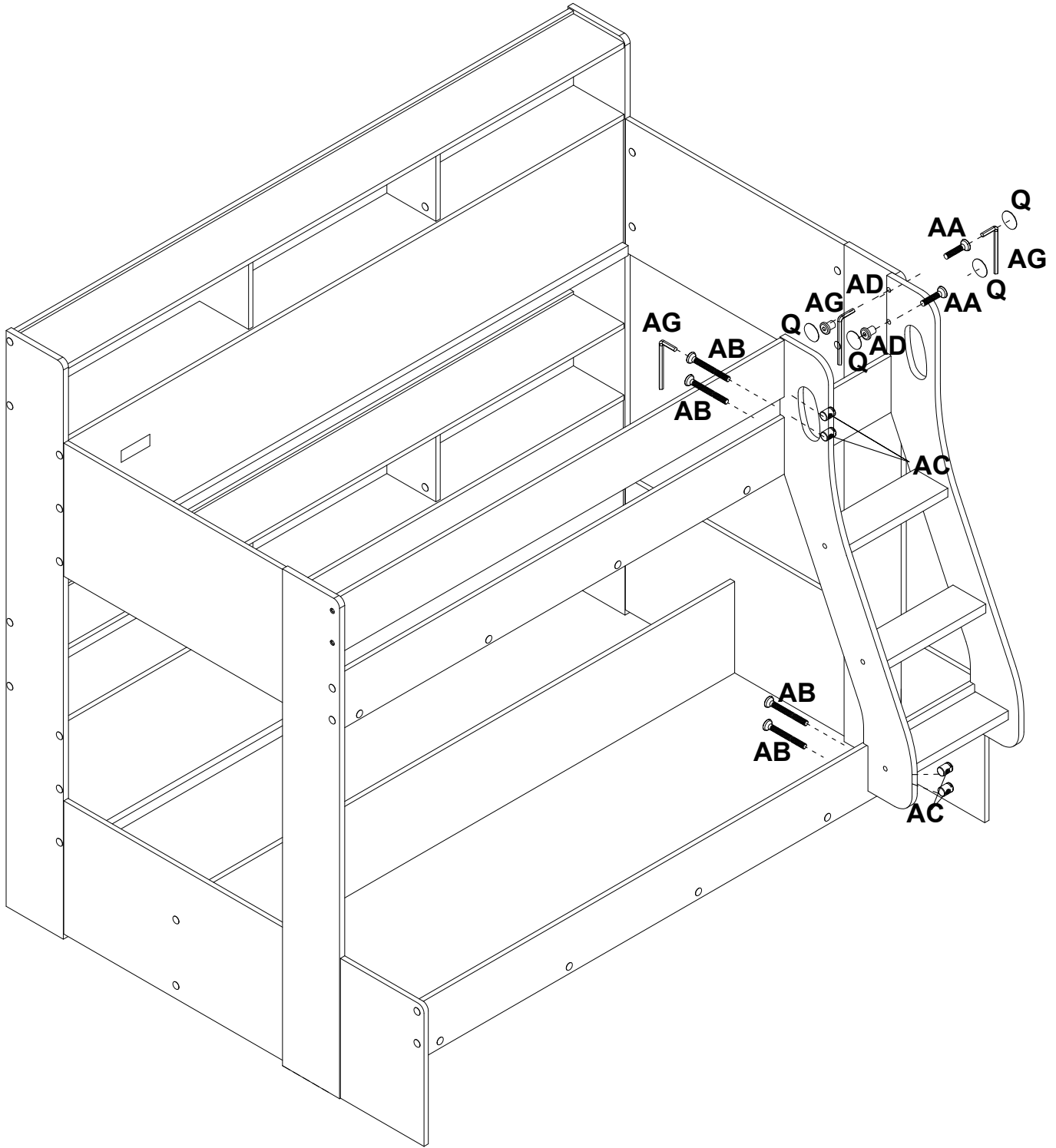
AC		X4
AB		X4
Q		X4
AG		X1



Step 19

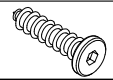

DO NOT use any power tools as this may damage the bed frame and will invalidate any claim

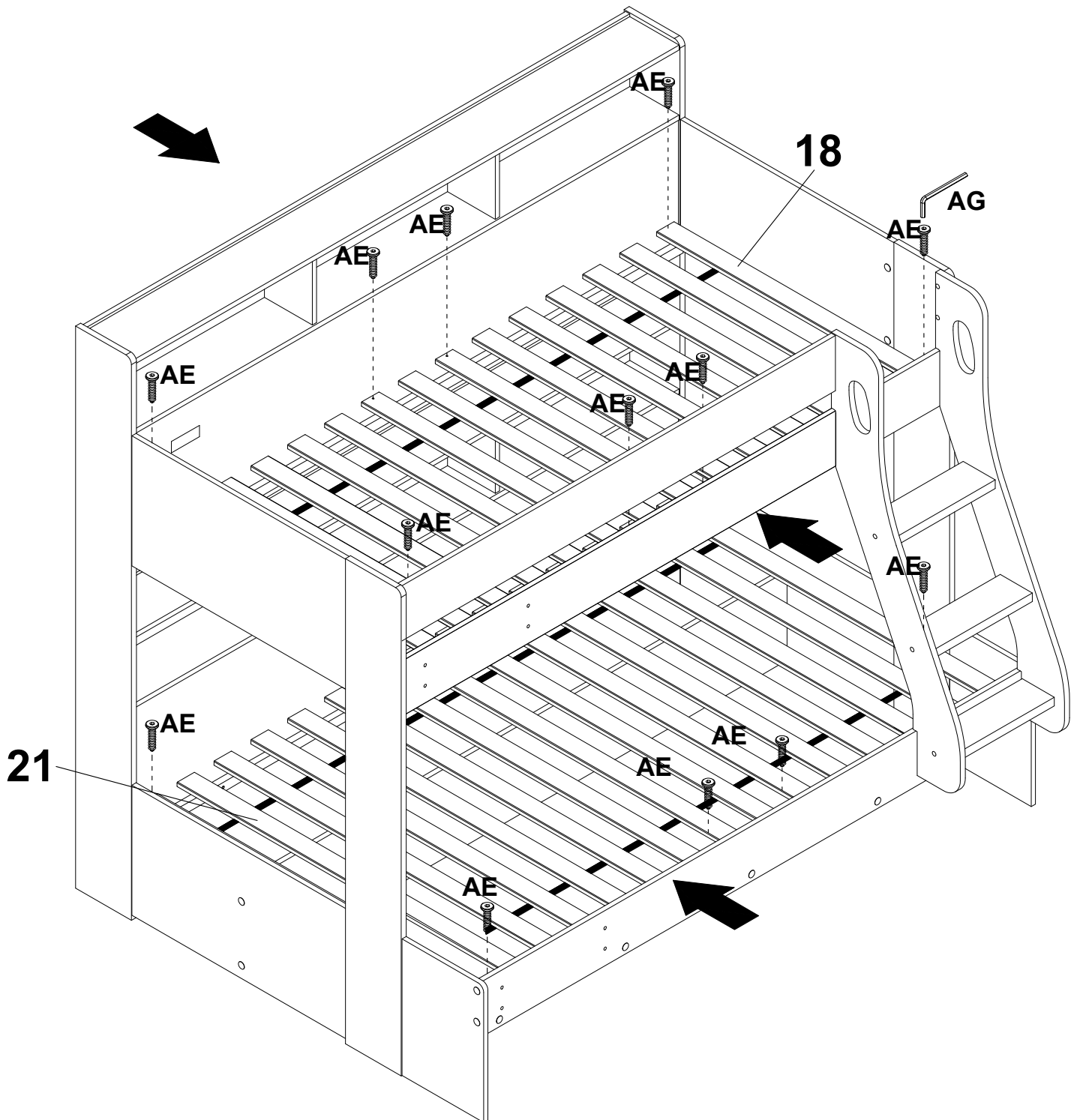
AA		X2
AD		X2
Q		X4
AG		X2
AC		X4
AB		X4



Step 20

DO NOT use any power tools as this may damage the bed frame and will invalidate any claim

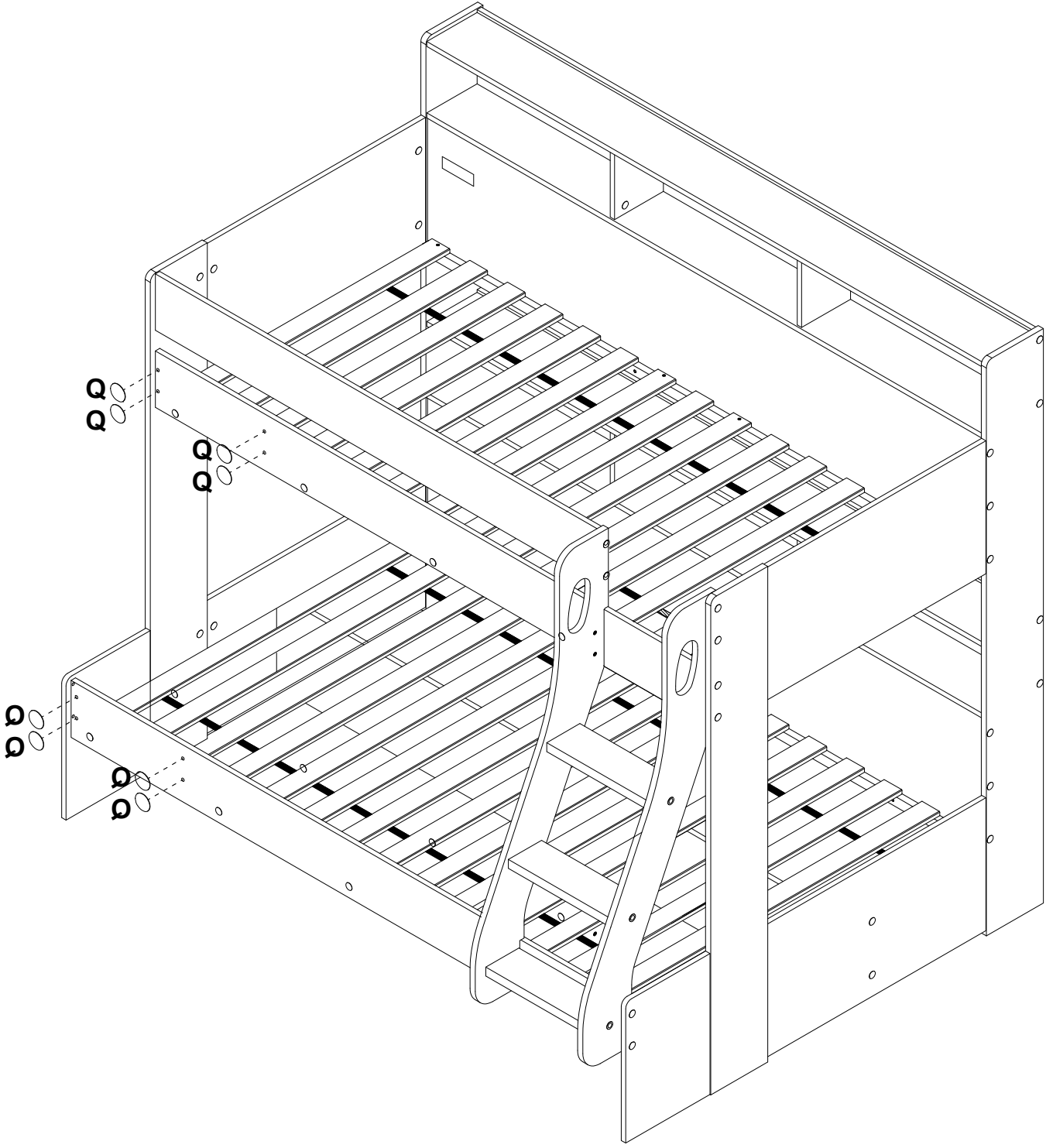
AE		X16
AG		X1



Step 21

Q		X8
---	--	----

DO NOT use any power tools as this may damage the bed frame and will invalidate any claim



Please dispose of all packaging safely.

General Care & Maintenance

Wipe clean with a slightly damp cloth.
Avoid the use of all household cleaners and abrasives.

Periodically check all screw & fixings to ensure they are secure.

When moving your product, carefully lift into place. Never drag or push the product across the floor as this will cause damage to the joints. If the product is used on hard flooring, such as wood or laminated floor, you must place some protection under the legs to stop the product from moving. If this is not adhered to, it could result in failure to the product that will invalidate the warranty.

For more information on cleaning and product care visit:
<https://www.happybeds.co.uk/help-and-advice>

Notes

In the unlikely event that you have problems putting this product together or have damaged or missing parts, please contact us by visiting:
<https://www.happybeds.co.uk/customer-service>