

Assembly Instructions

Important before assembly:

Read these instructions carefully before assembling or using the product.

Please check the contents of the boxes before attempting to assemble this product. The instructions will have a checklist of parts and fittings.

Assemble the product as close to its intended final location/room as possible.

Health & Safety:

This product or some parts of this product will be heavy. Please use an assistant when lifting.

Please keep small parts out of reach of children.

Always use on a level, even surface.

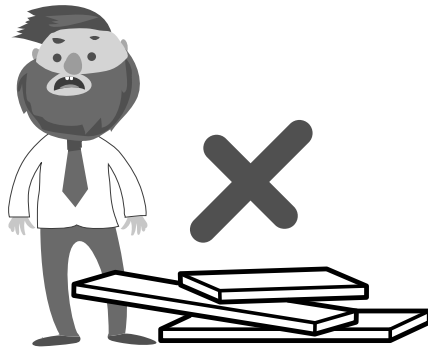
DO NOT jump on the product or any of its parts.

DO NOT use this product if any parts are missing, damaged or worn.

DO NOT use this product unless all fixings are secured.

Further instructions are on the following pages.

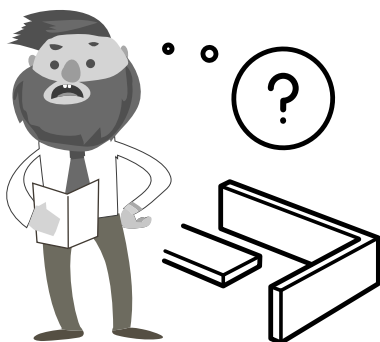
Please keep these instructions for future reference.



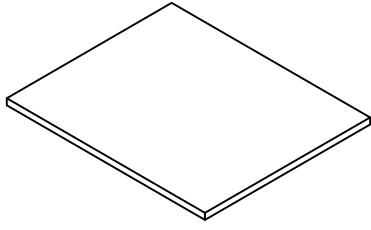
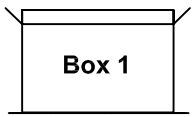
This product or some parts of this product will be heavy. Please use an assistant when lifting.



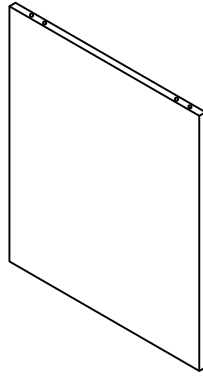
Never drag or push the pieces across a hard or stone floor as this will cause damage to the joints. Use a carpet or a rug for extra care.



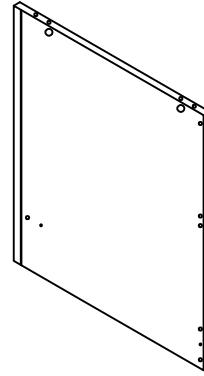
If you have problems assembling or have damaged or missing pieces, please contact our customer services (details at the back of these instructions)



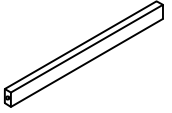
1. Top Panel (x1)



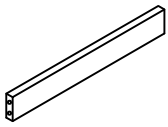
2. Left Side Panel (x1)



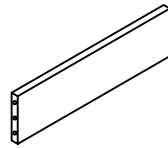
3. Right Side Panel (x1)



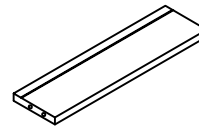
4. Top Support Bar (x1)



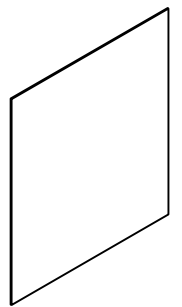
5. Drawer Support Bar (x1)



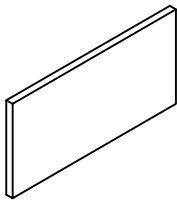
6. Leg Panel (x1)



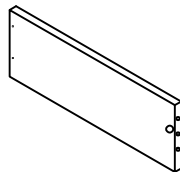
7. Back Support Panel (x1)



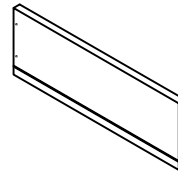
8. Back Panel (x1)



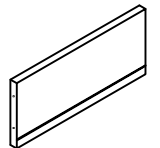
9. Drawer Front Panel (x2)



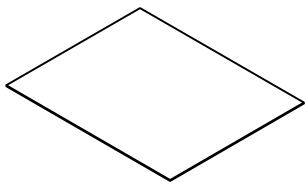
10. Drawer Side Panel (L) (x2)



11. Drawer Side Panel (R) (x2)



12. Drawer Back Panel (x2)



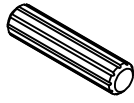
13. Drawer Bottom Panel (x2)



All fitting are stored within Box 1



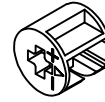
A.Allen Key (x1)



B.Plastic Dowel (x22)



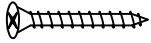
C.Minifix Bolt (x14)



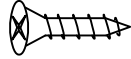
D.Minifix Housing (x14)



E.Minifix Cap (x14)



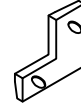
F.CSK Screw M4x50mm (x8)



G.CSK Screw M3.5x16mm (x32)



H.Drawer Slider (x2)



I.L Bracket (x4)

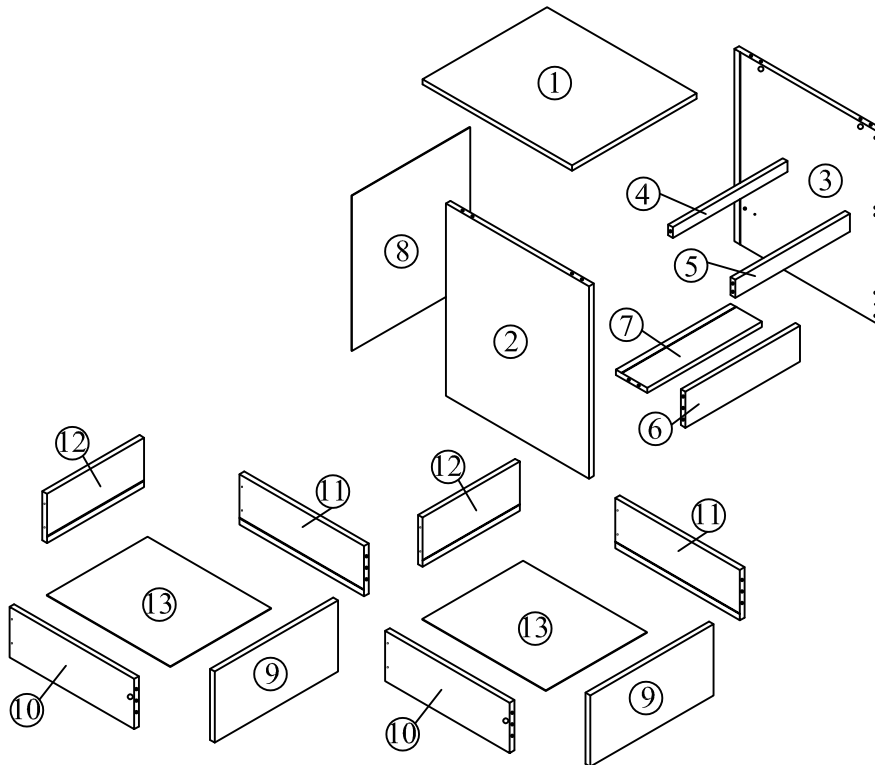


J.White Nail Leg (x4)

*You will need a screwdriver (not provided)

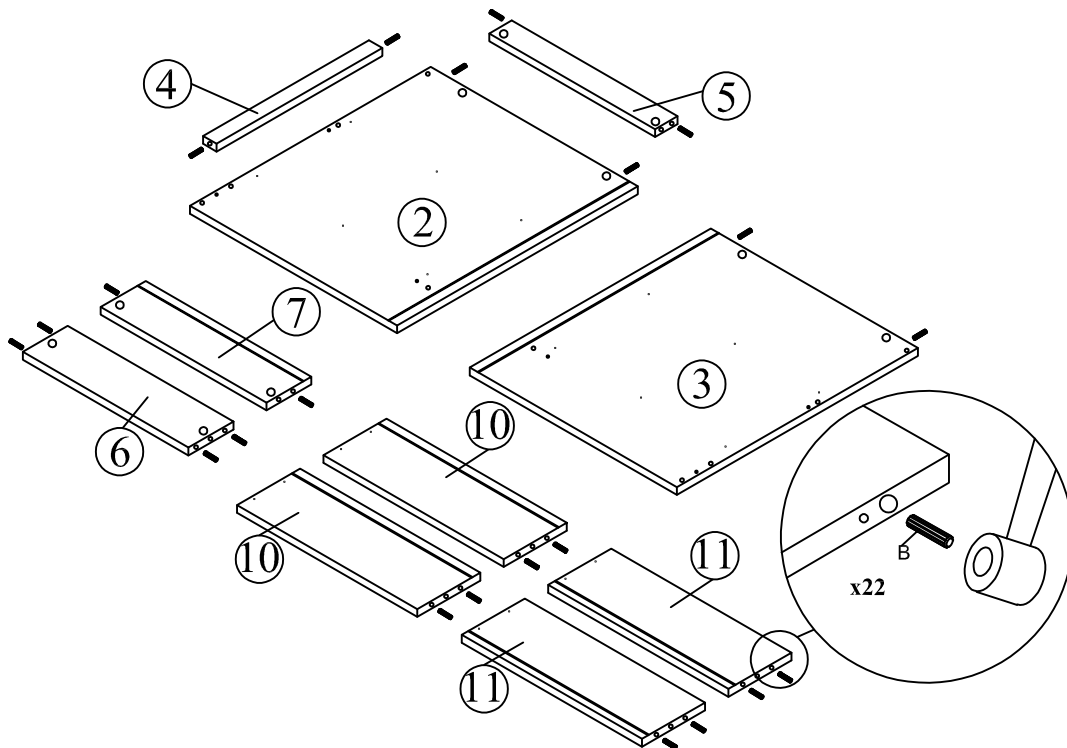
Step 1

Unpack all components from the boxes and check you are not missing anything.Please check these against the list on page 3 & 4.Should you identify any missing components,please contact the retailer you purchased the item from.



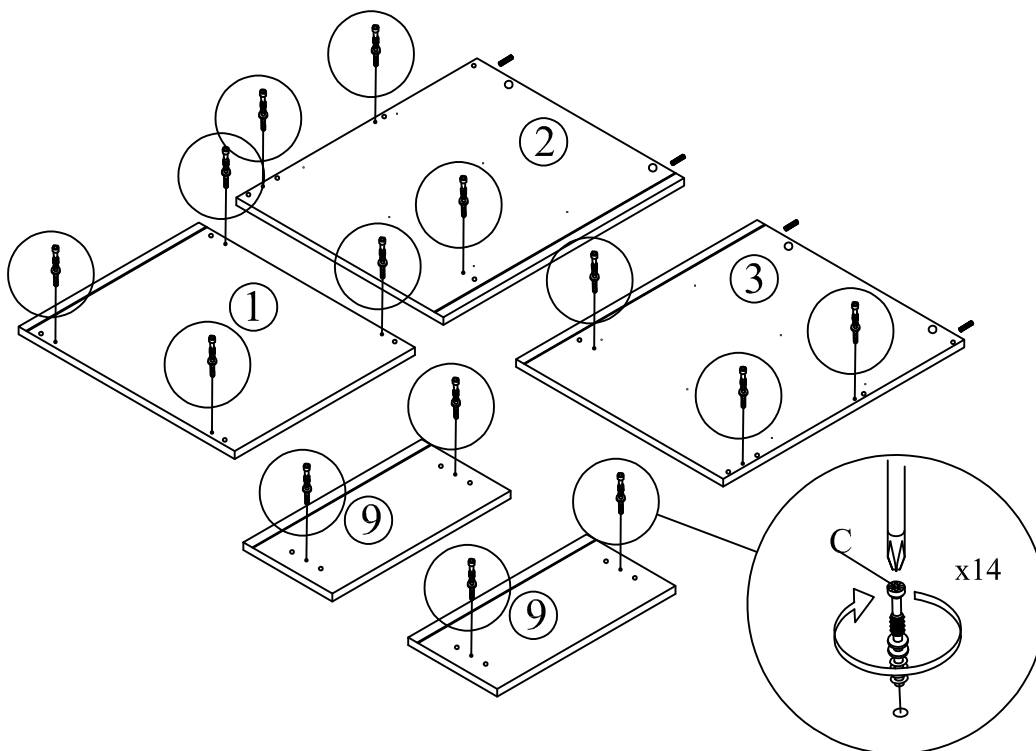
Step 2

Attach the 22x Wood Dowel (B) to the all parts as shown.



Step 3

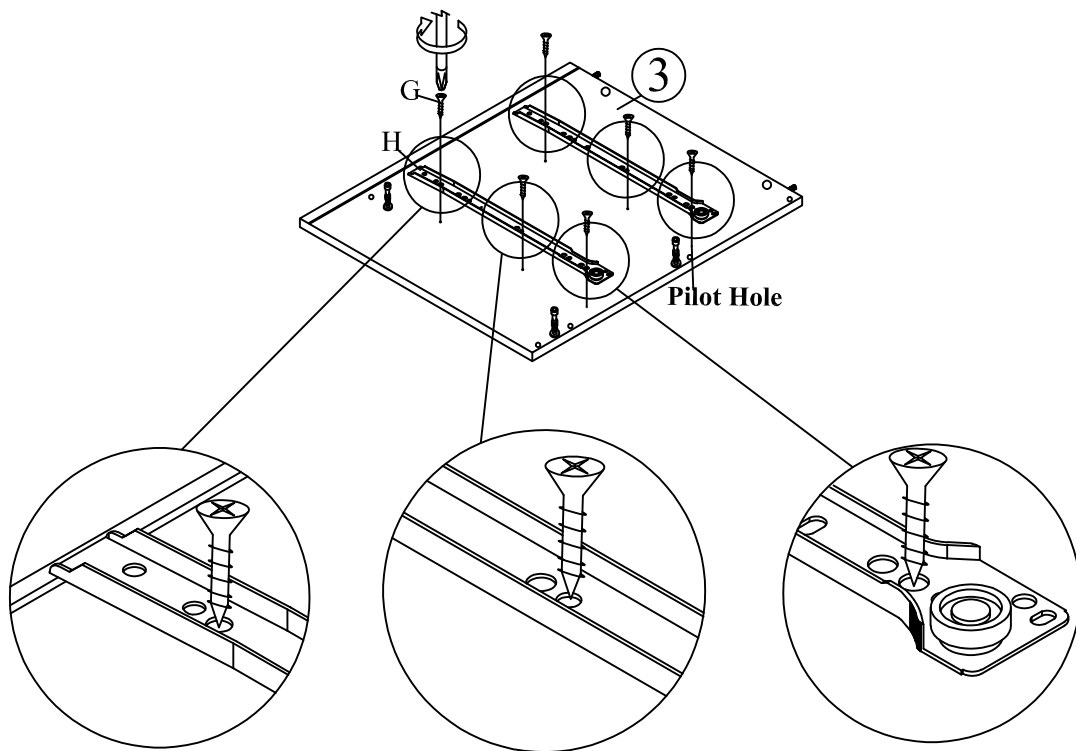
Attach the 14x Minifix Bolt (C) to the all parts as shown.



DO NOT use any power tools as this may damage the frame and will invalidate any claim.

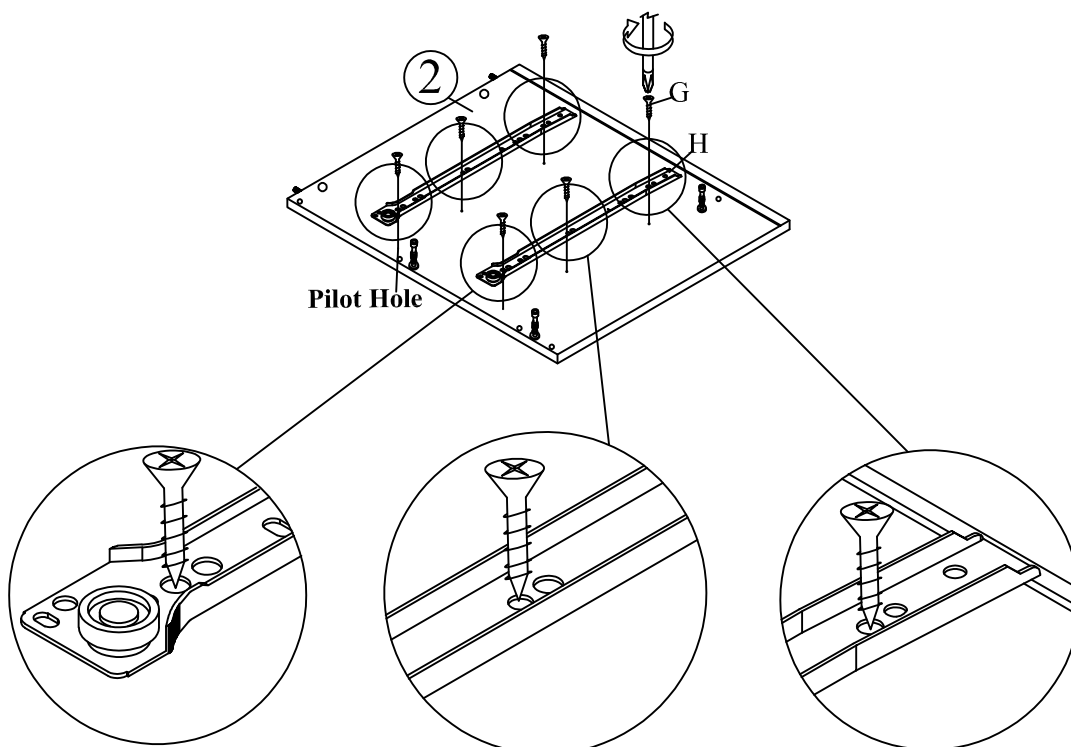
Step 4

Attach the 2x Drawer Slider (H) to 1x Right Side Panel (3) using 6x CSK Screw M3.5x16mm (G).



Step 5

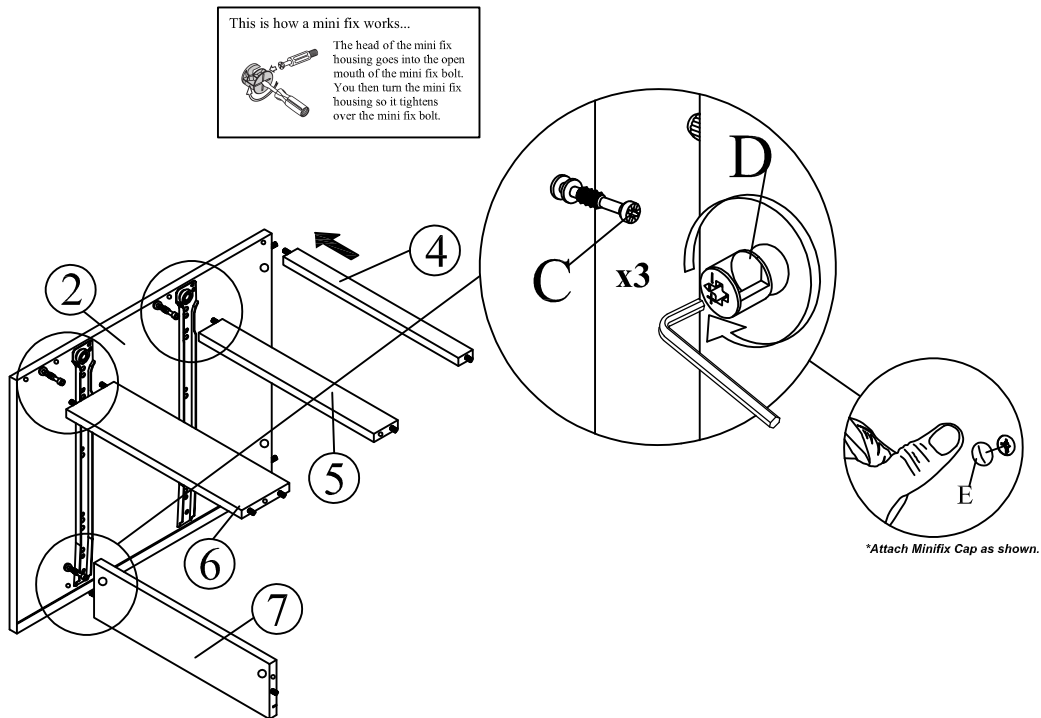
Attach the 2x Drawer Slider (H) to 1x Left Side Panel (2) using 6x CSK Screw M3.5x16mm (G).



DO NOT use any power tools as this may damage the frame and will invalidate any claim.

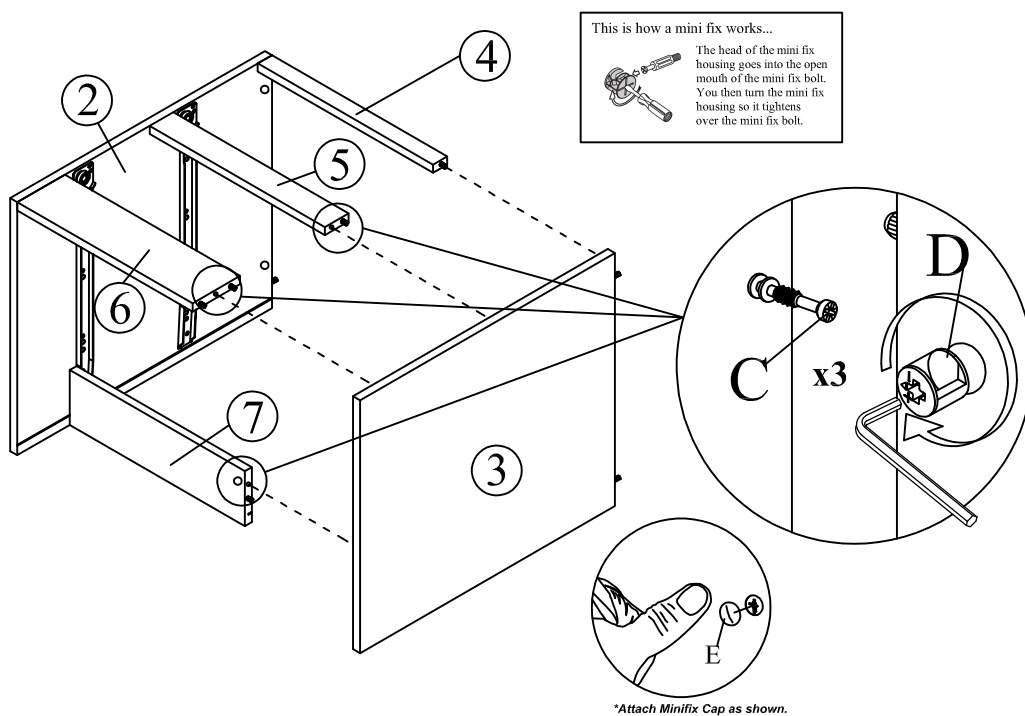
Step 6

Attach the 1x Back Support Panel (7) , 1x Leg Panel (6), 1x Top Support bar (4) , 1x Drawer Support Panel (5) to 1x Left Side Panel (2) using 3x Minifix Bolt (C) and 3x Minifix Housing (D) and 3x Minifix Cap (E). Turn the 3x Minifix Housing (D) to tighten using the 1x Allen Key (A) or screwdriver (not provided). Cover the 3x Minifix Housing (D) using the 3x Minifix Cap (E) by pressing it into the Minifix House.



Step 7

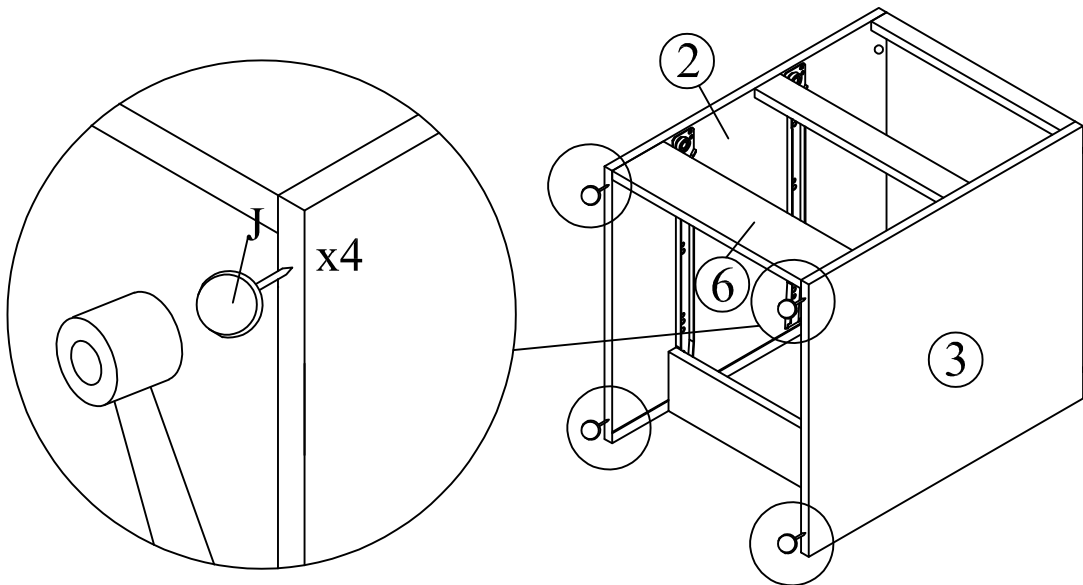
Attach the 1x Back Support Panel (7) , 1x Leg Panel (6), 1x Top Support bar (4), 1x Drawer Support Panel (5) to 1x Right Side Panel (3) using 3x Minifix Bolt (C) and 3x Minifix Housing (D) and 3x Minifix Cap (E). Turn the 3x Minifix Housing (D) to tighten using the 1x Allen Key (A) or screwdriver (not Provided). Cover the 3x Minifix Housing (D) using the 3x Minifix Cap (E) by pressing it into the Minifix House.



DO NOT use any power tools as this may damage the frame and will invalidate any claim.

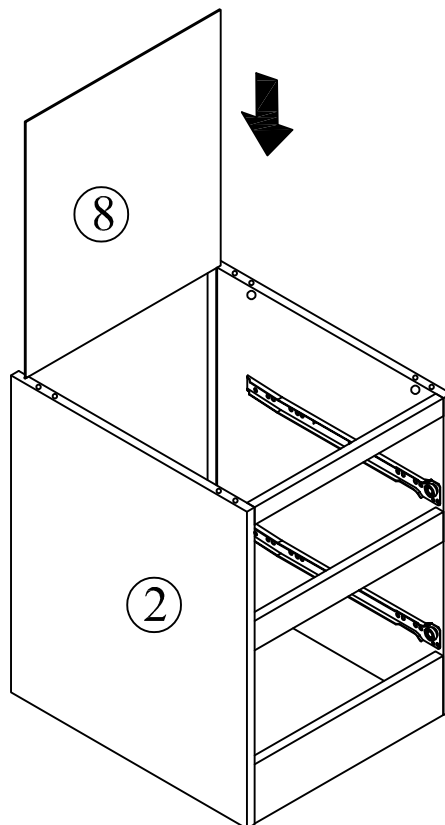
Step 8

Attach the 4x White Nail Leg (J) to 1x Left Side Panel (2) and 1x Right Side Panel (3) using Hammer



Step 9

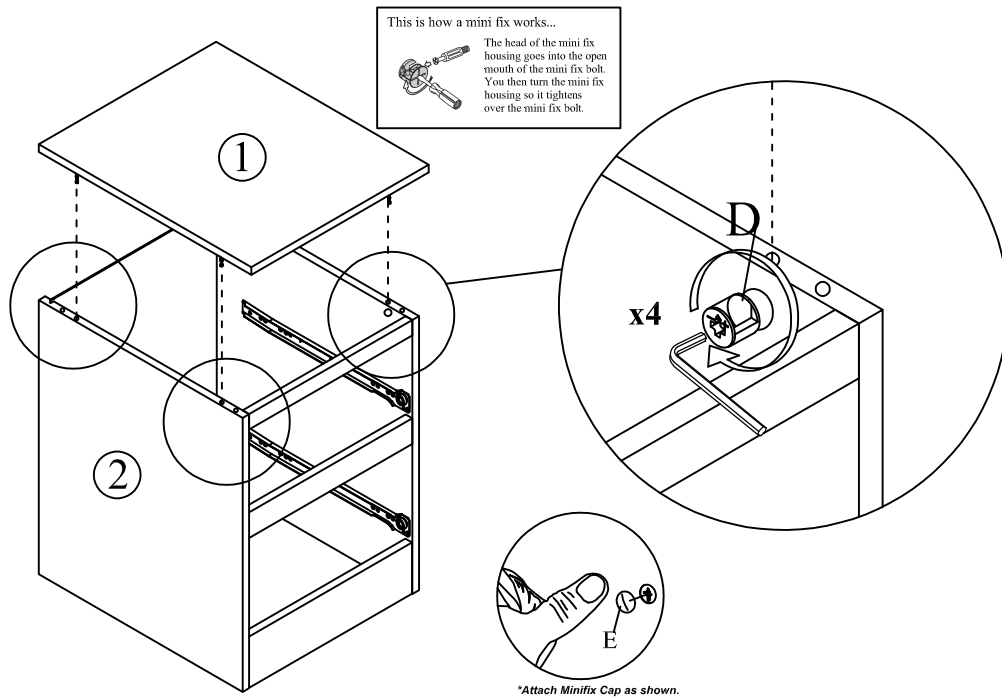
Slot 1x Back Panel (8) in the slider at 1x Right Side Panel (3) and 1x Left Side Panel (2)



DO NOT use any power tools as this may damage the frame and will invalidate any claim.

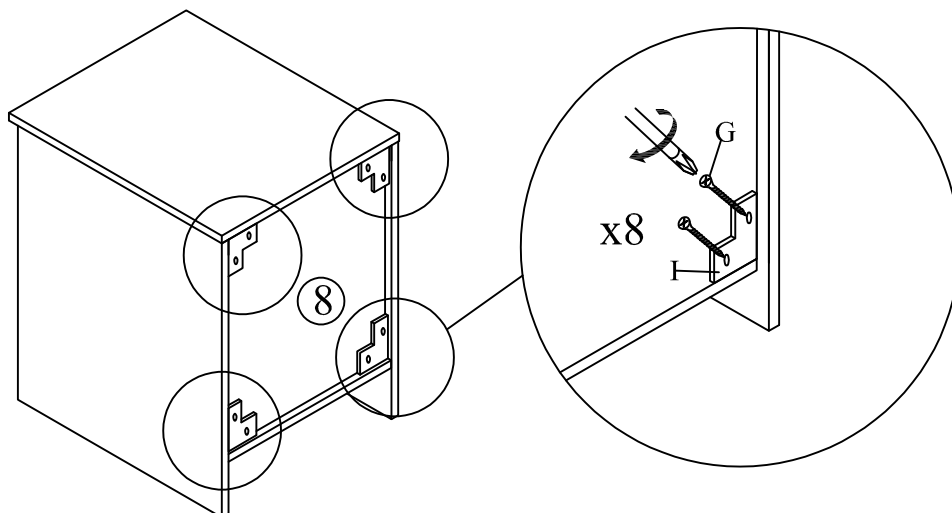
Step 10

Attach the 1x Top Panel (1) to 1x Right Side Panel (3) and 1x Left Side Panel (2) using 4x Minifix Bolt (C) and 4x Minifix Housing (D) and 4x Minifix Cap (E). Turn the 4x Minifix Housing (D) to tighten using the 1x Allen Key (A) or screwdriver (not provided). Cover the 4x Minifix Housing (D) using the 4x Minifix Cap (E) by pressing it into the Minifix House.



Step 11

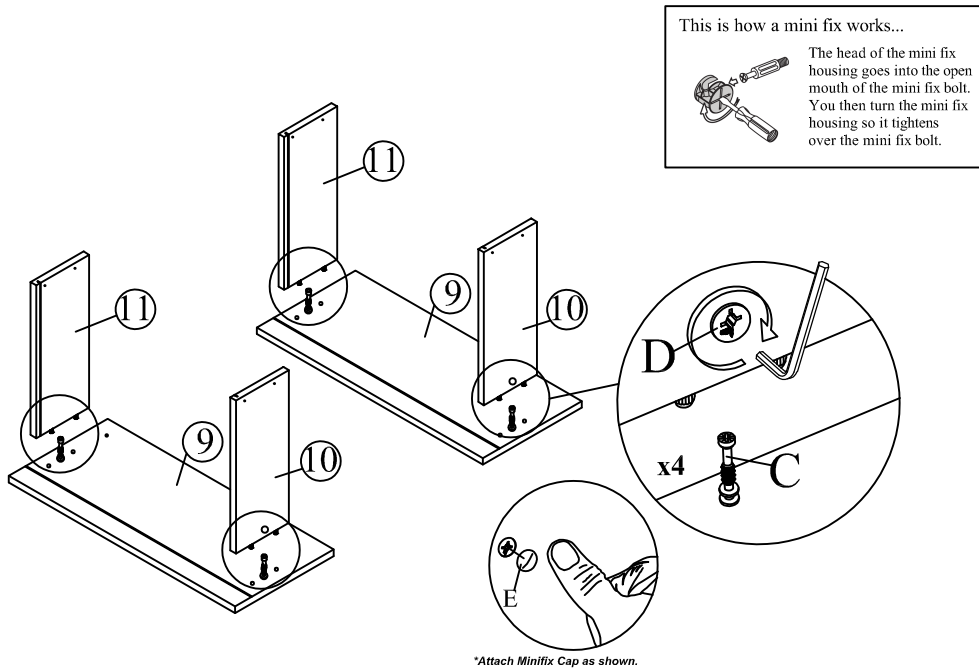
Attach the 4x L Bracket (I) to 1x Right Side Panel (3), 1x Left Side Panel (2), 1x Top Panel (1) and 1x Back Support Panel (7) using 8x CSK Screw M3.5x16mm (G) with a screwdriver (not provided).



DO NOT use any power tools as this may damage the frame and will invalidate any claim.

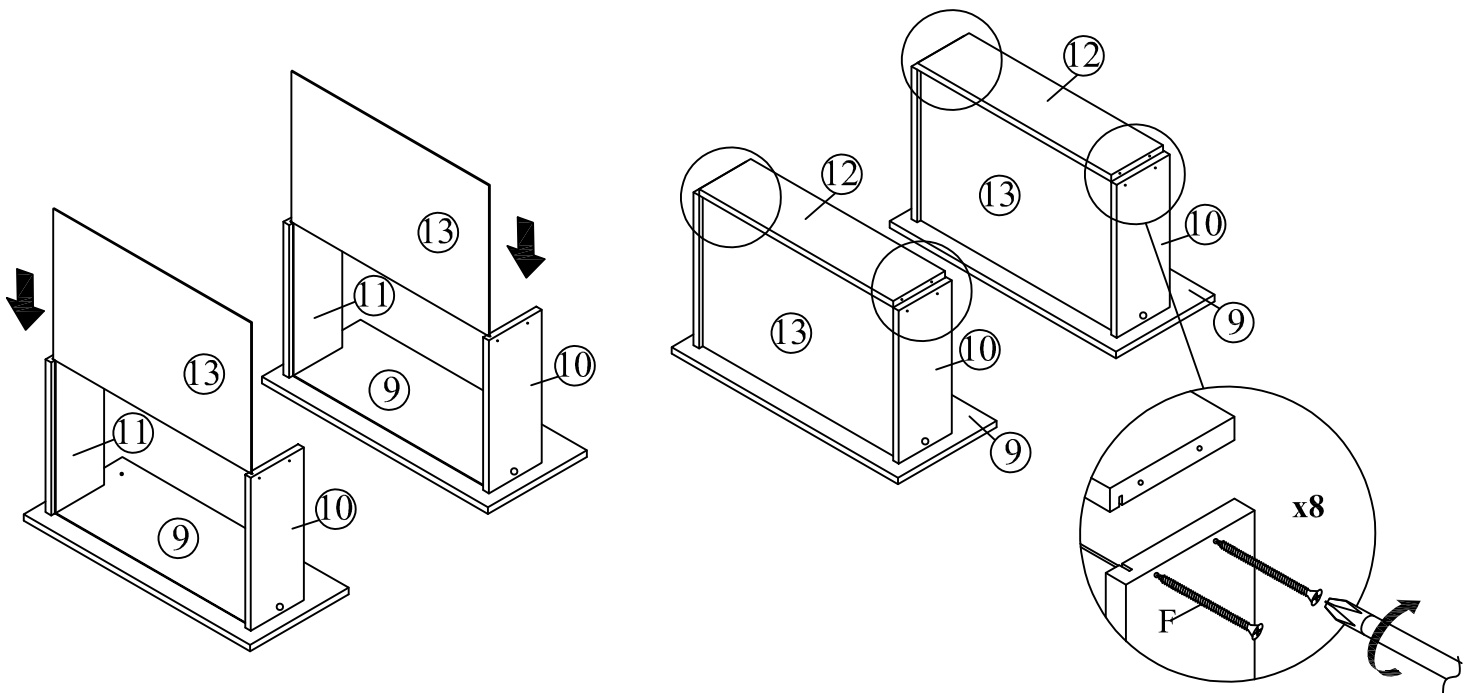
Step 12

Attach the 2x Drawer Side Panel (R) (11), 2x Drawer Side Panel (L) (10) to 2x Drawer Front Panel (9) using 4x Minifix Bolt (C) and 4x Minifix Housing (D) and 4x Minifix Cap (E). Turn the 4x Minifix Housing (D) to tighten using the 1x Allen Key (A) or screwdriver (not provided). Cover the 4x Minifix Housing (D) using the 4x Minifix Cap (E) by pressing it into the Minifix House.



Step 13

Slot 2x Bottom Panel (13) to 2x Drawer Side Panel (L) (10) and 2x Drawer Side Panel (R) (11) then tighten 2x Drawer Back Panel (12) using 8x CSK Screw M4x50mm (F) with a screwdriver (not provided).



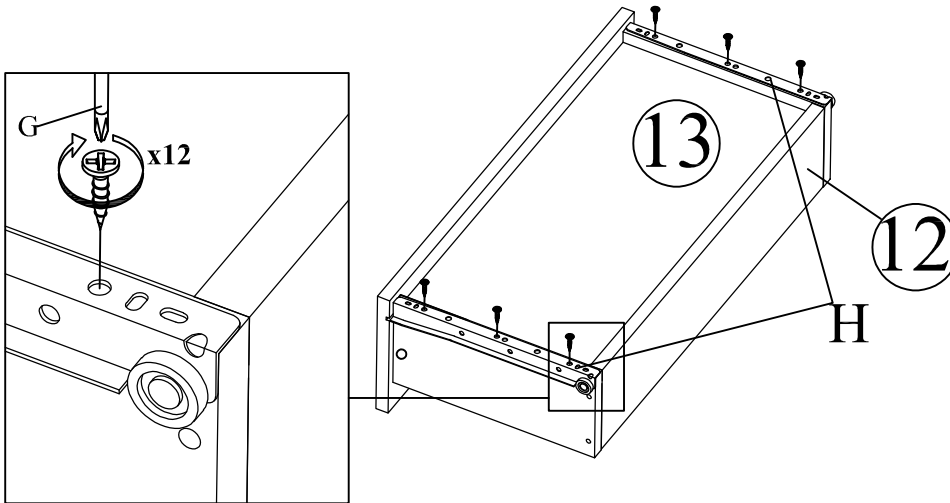
DO NOT use any power tools as this may damage the frame and will invalidate any claim.

Step 14

Tighten the 12x CSK Screw M3.5x16mm (G) to 2x Drawer Slider (H) and to the Side Panel (L/R) as shown.

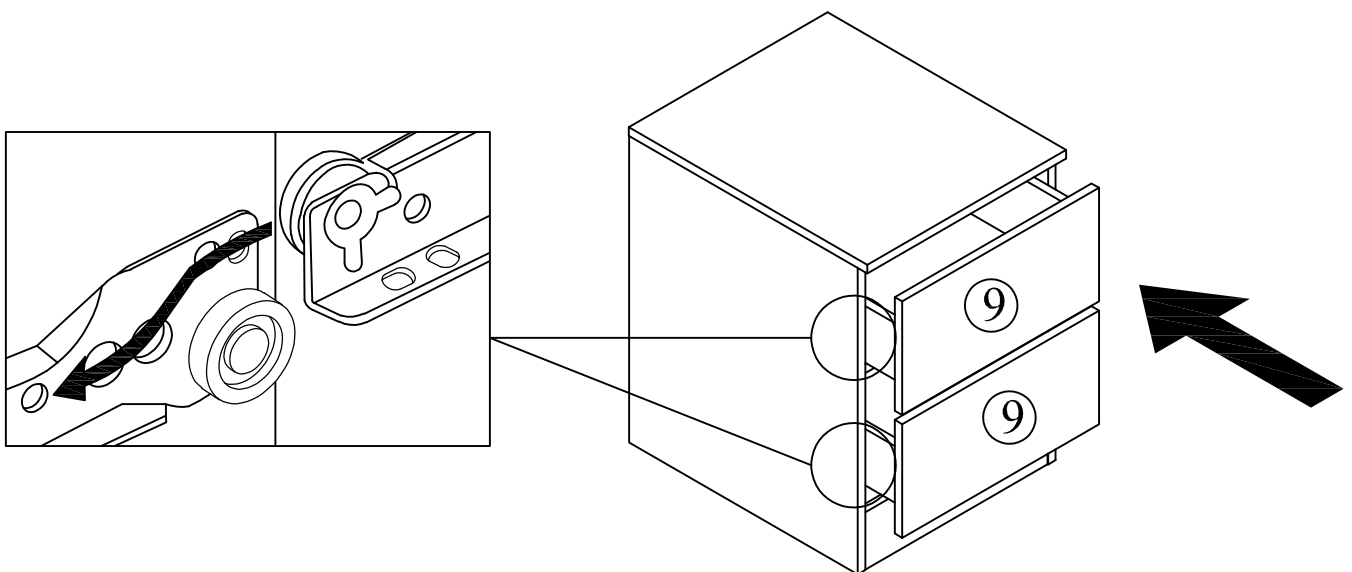
x2

Back View



Step 15

Insert the drawer on the slider as shown.



DO NOT use any power tools as this may damage the frame and will invalidate any claim.

Please dispose of all packaging safely.

General Care & Maintenance

Wipe clean with a slightly damp cloth.
Avoid the use of all household cleaners and abrasives.

Periodically check all screw & fixings to ensure they are secure.

When moving your product, carefully lift into place. Never drag or push the product across the floor as this will cause damage to the joints. If the product is used on hard flooring, such as wood or laminated floor, you must place some protection under the legs to stop the product from moving. If this is not adhered to, it could result in failure to the product that will invalidate the warranty.

For more information on cleaning and product care visit:
<https://www.happybeds.co.uk/help-and-advice>

Notes

In the unlikely event that you have problems putting this product together or have damaged or missing parts, please contact us by visiting:
<https://www.happybeds.co.uk/customer-service>