



## Assembly Instructions

### Important before assembly:

Read these instructions carefully before assembling or using the product.

Please check the contents of the boxes before attempting to assemble this product. The instructions will have a checklist of parts and fittings.

Assemble the product as close to its intended final location/room as possible.

### Health & Safety:

This product or some parts of this product will be heavy. Please use an assistant when lifting.

Please keep small parts out of reach of children.

Always use on a level, even surface.

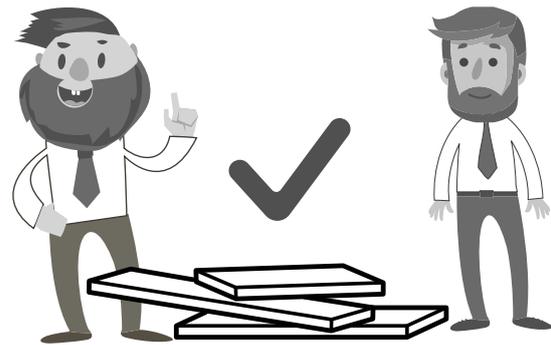
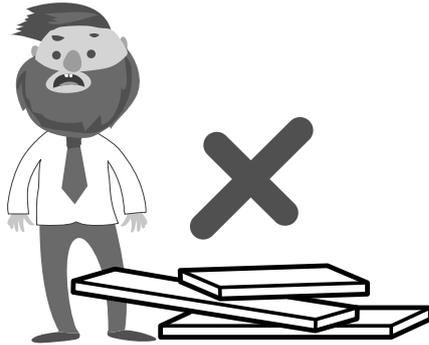
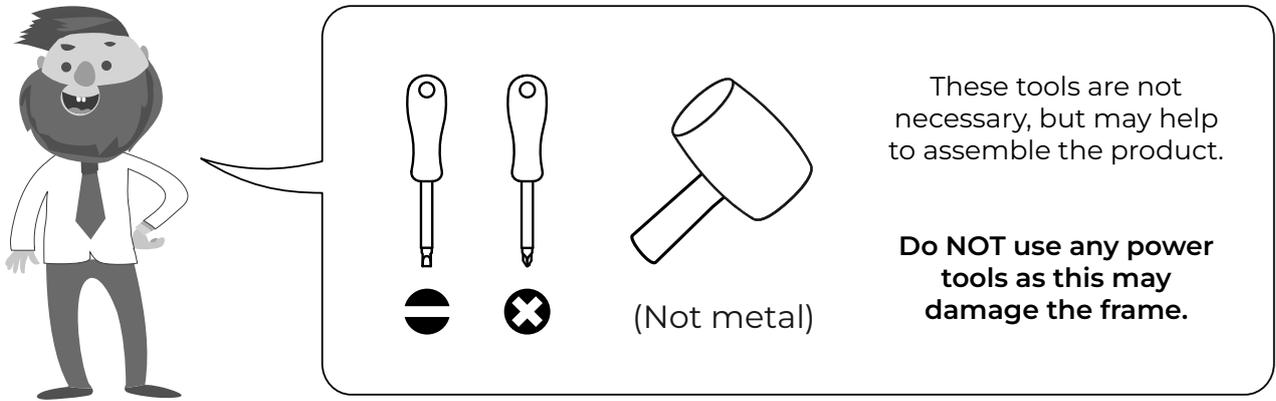
DO NOT jump on the product or any of its parts.

DO NOT use this product if any parts are missing, damaged or worn.

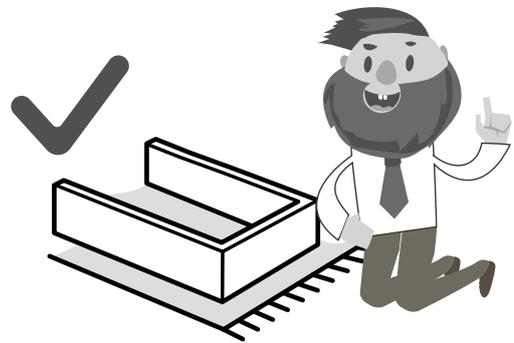
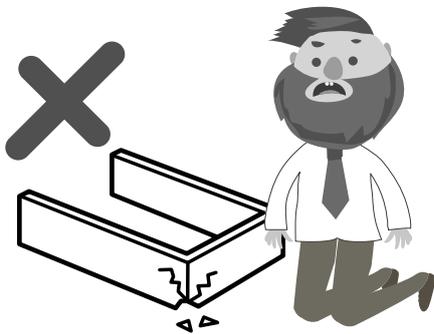
DO NOT use this product unless all fixings are secured.

**Further instructions are on the following pages.**

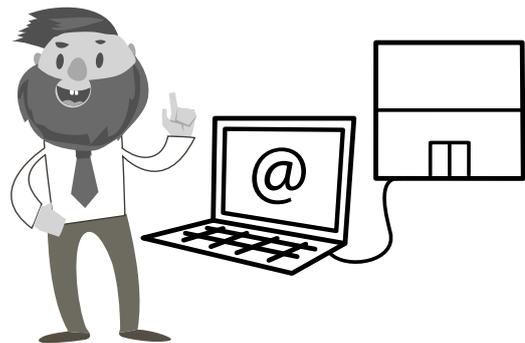
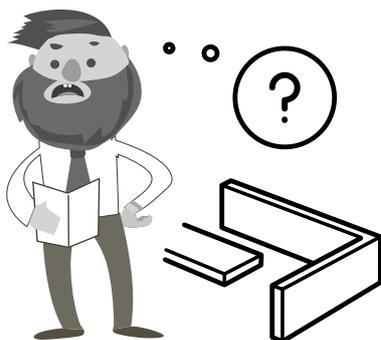
Please keep these instructions for future reference.



This product or some parts of this product will be heavy. Please use an assistant when lifting.



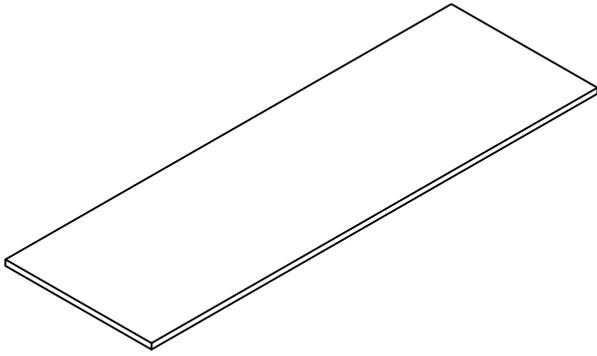
Never drag or push the pieces across a hard or stone floor as this will cause damage to the joints. Use a carpet or a rug for extra care.



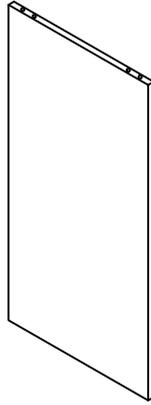
If you have problems assembling or have damaged or missing pieces, please contact our customer services (details at the back of these instructions)



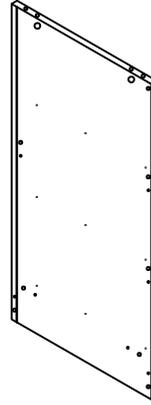
Box 1



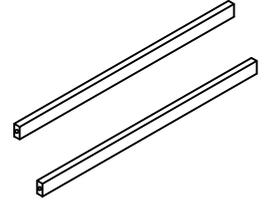
1.Top Panel (x1)



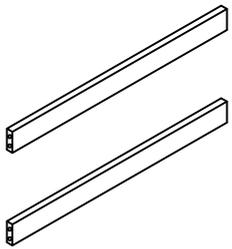
2.Right Side Panel (x1)



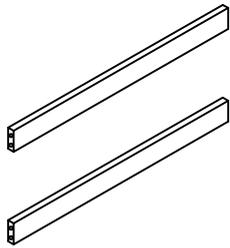
3.Left Side Panel (x1)



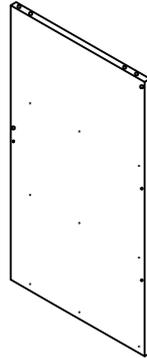
4.Top Support Bar (x2)



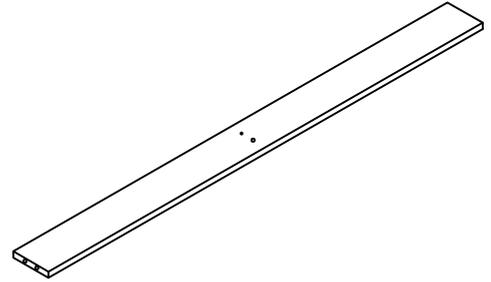
5.Drawer Support Bar (L) (x2)



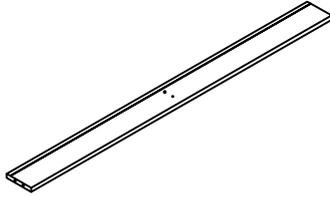
6.Drawer Support Bar (R) (x2)



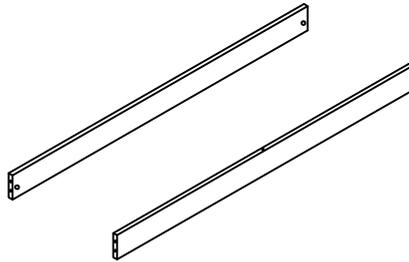
7.Middle Panel (x1)



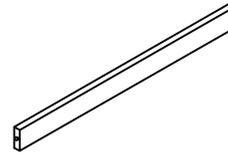
8.Front Support Panel (x1)



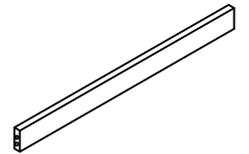
9.Back Support Panel (x1)



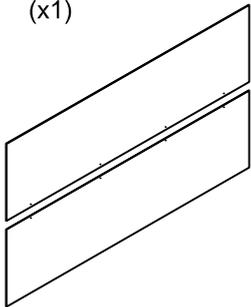
10.Legs Panel (x2)



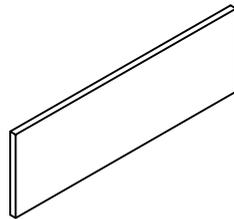
11.Back Inner Panel (R) (x1)



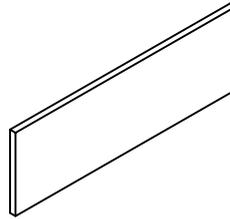
12.Back Inner Panel (L) (x1)



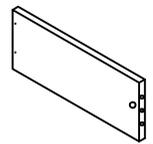
13.Back Panel (x2)



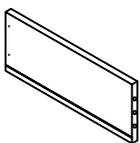
14.Drawer Front Panel (L) (x3)



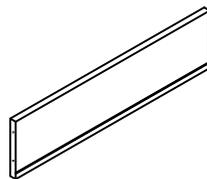
15.Drawer Front Panel (R) (x3)



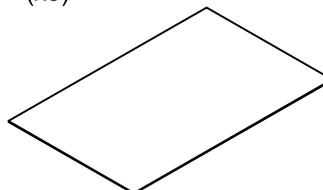
16.Drawer Side Panel (L) (x6)



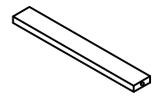
17.Drawer Side Panel (R) (x6)



18.Drawer Back Panel (x6)



19.Drawer Bottom Panel (x6)



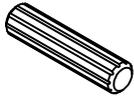
20.Drawer Support Bar (x6)



All fitting are stored within Box 1



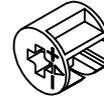
A.Allen Key (x1)



B.Wood Dowel (x67)



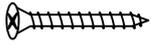
C.Minifix Bolt (x44)



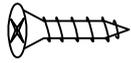
D.Minifix Housing (x44)



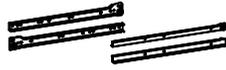
E.Minifix Cap (x44)



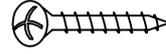
F.CSK Screw M4x50mm (x24)



G.CSK Screw M3.5x16mm (x80)



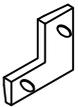
H.Drawer Slider (x6)



I.CSK Screw M4x18mm (Black) (x8)



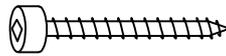
J.White Nail Leg (x6)



K.L Bracket (x4)



L.H Profile (x1)

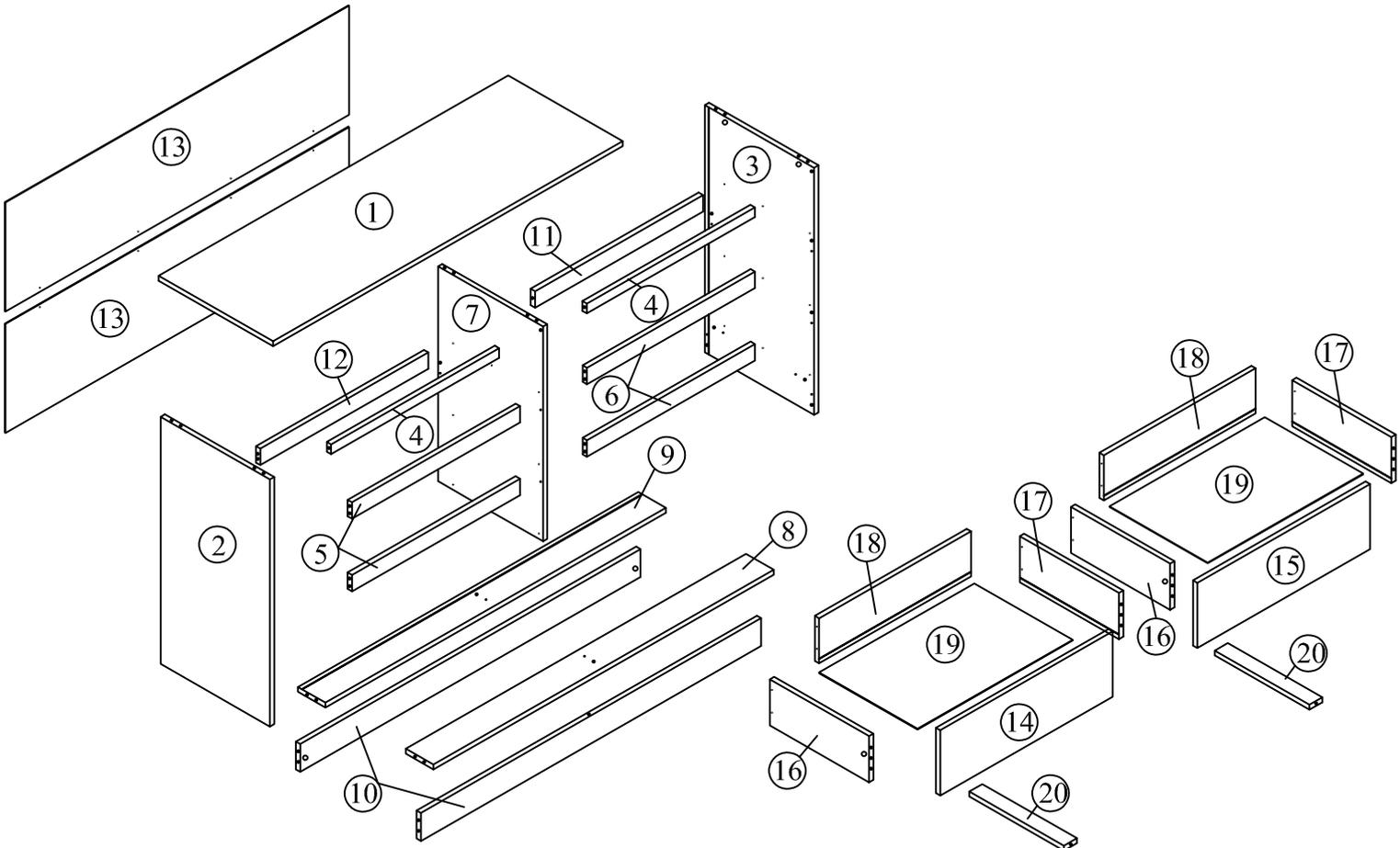


M.JCBC W M6x40mm (x2)

**\*You will need a screwdriver (not provided)**

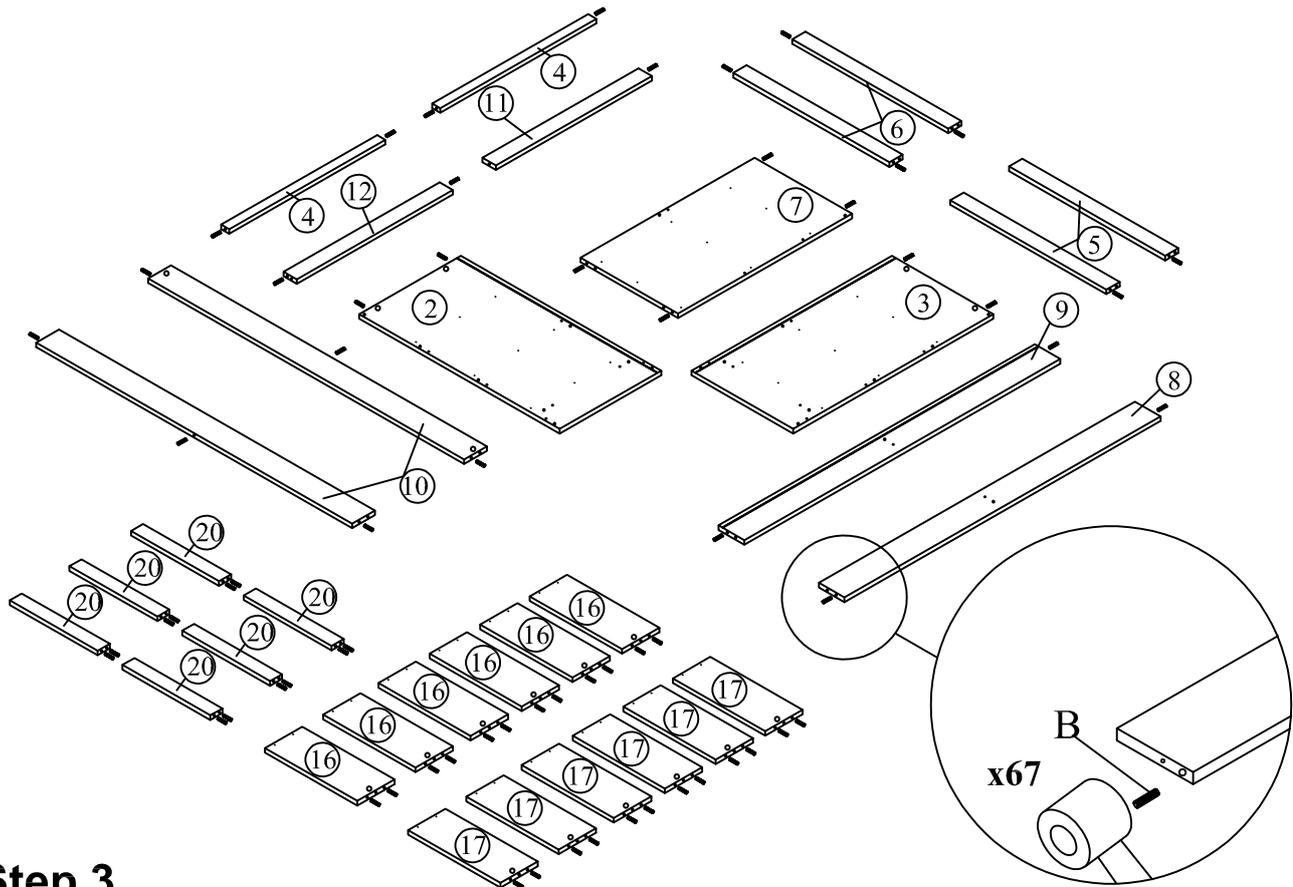
### Step 1

Unpack all components from the boxes and check you are not missing anything.Please check these against the list on page 3 & 4.Should you identify any missing components,please contact the retailer you purchased the item from.



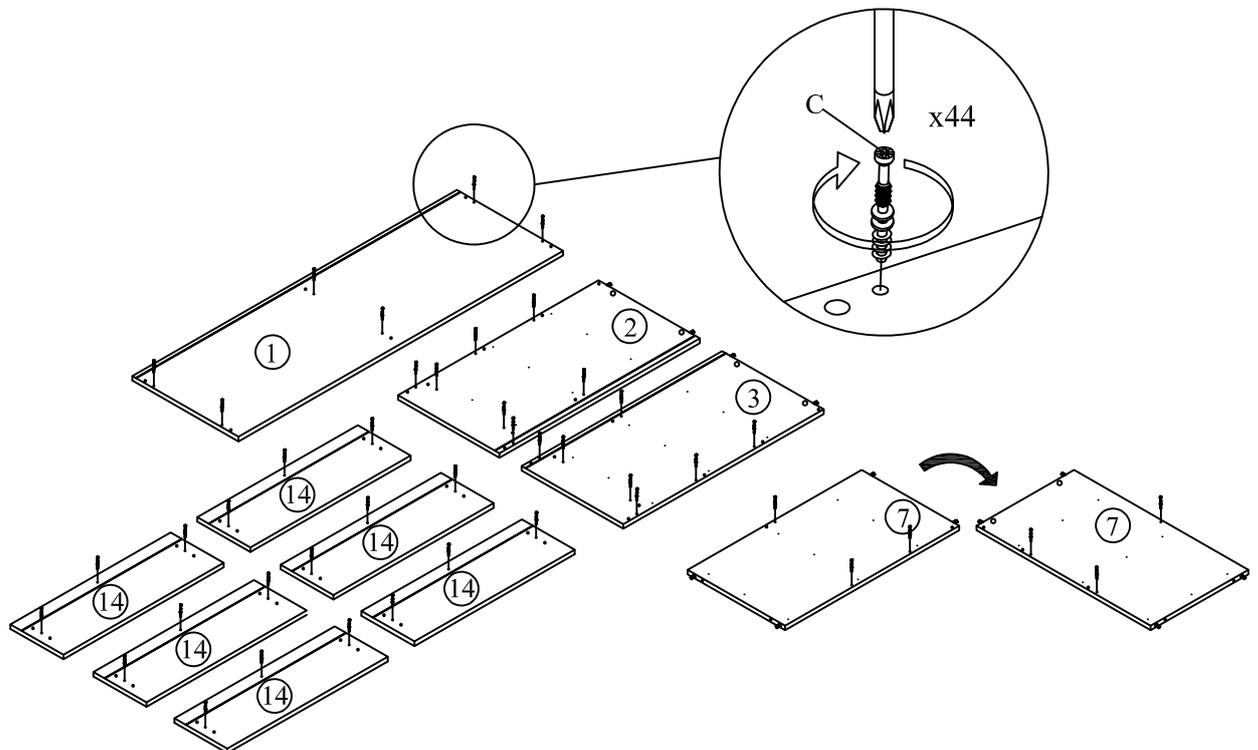
## Step 2

Attach the 67x Wood Dowel (B) to the all parts as shown.



## Step 3

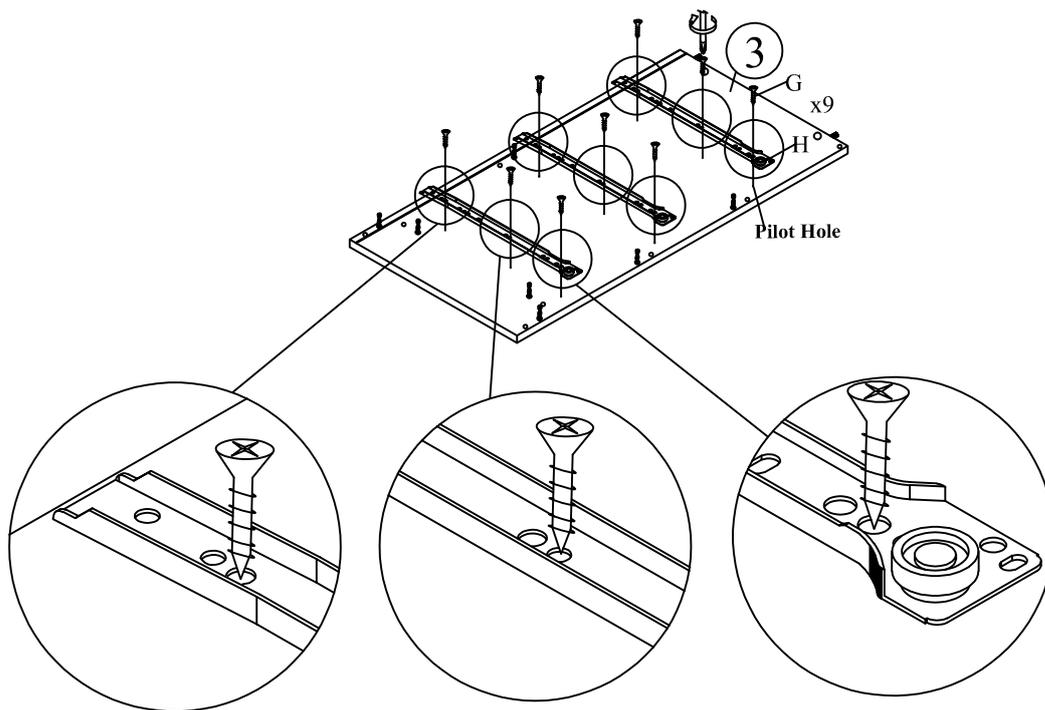
Attach the 44x Minifix Bolt (C) to the all parts as shown.



**DO NOT** use any power tools as this may damage the frame and will invalidate any claim.

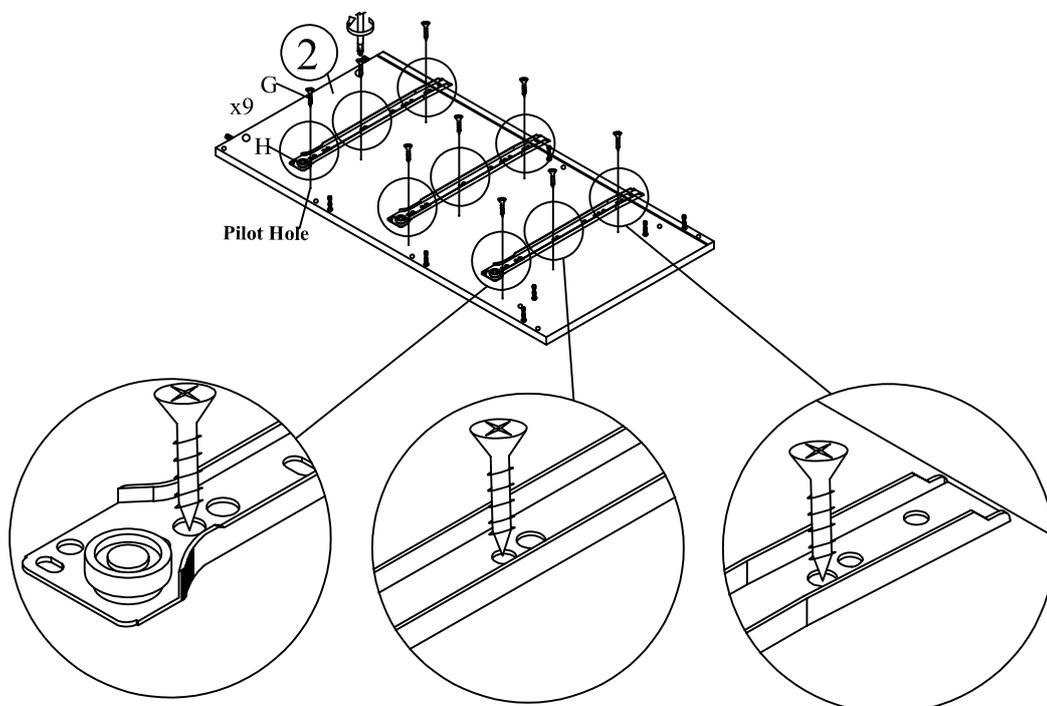
## Step 4

Attach the 3x Drawer Slider (H) to 1x Right Side Panel (3) using 9x CSK Screw M3.5x16mm (G).



## Step 5

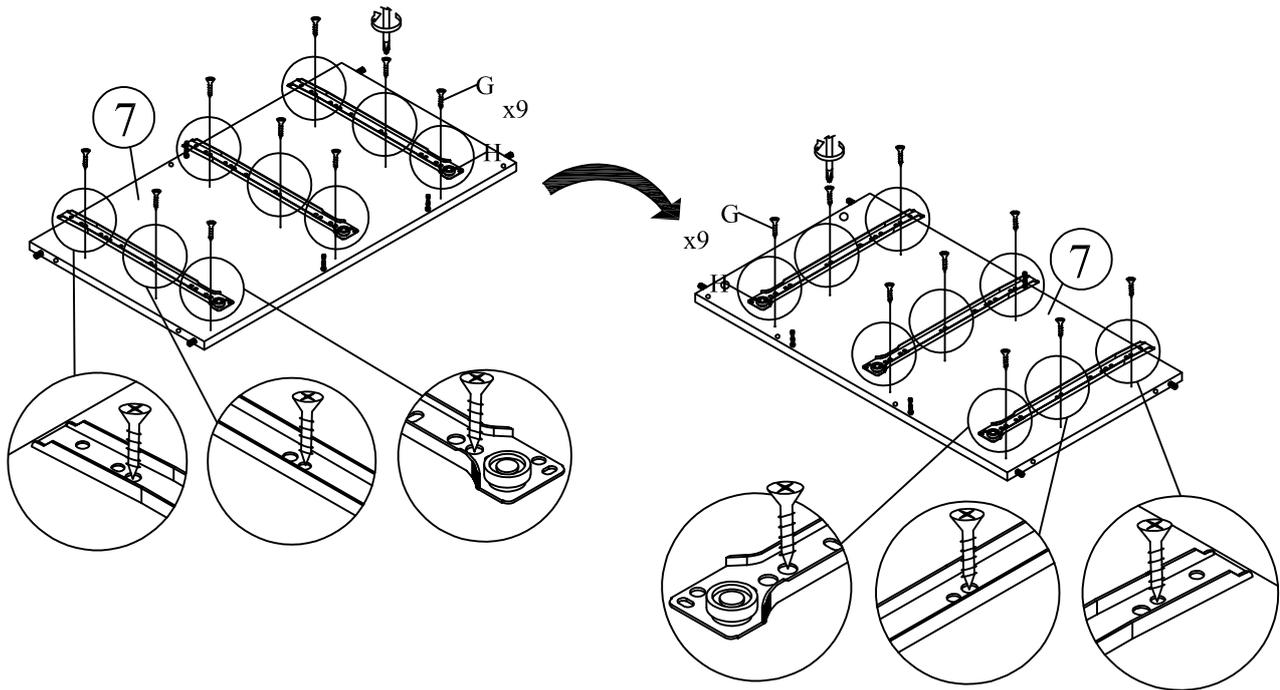
Attach the 3x Drawer Slider (H) to 1x Left Side Panel (2) using 9x CSK Screw M3.5x16mm (G).



**DO NOT use any power tools as this may damage the frame and will invalidate any claim.**

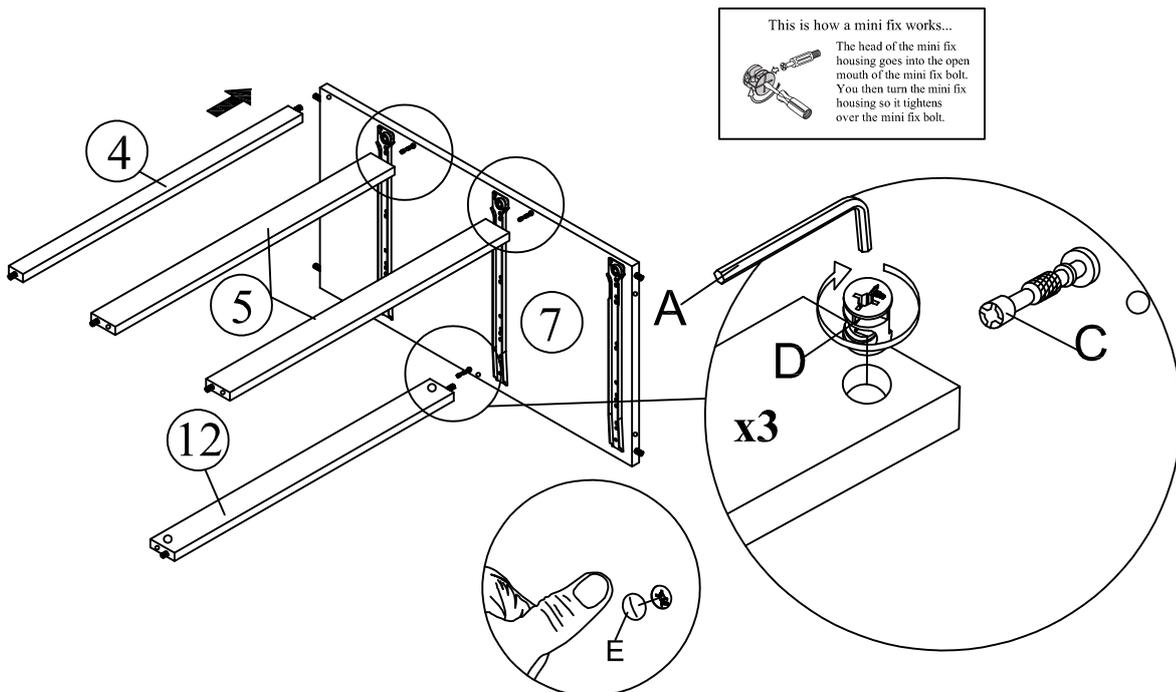
## Step 6

Attach the 3x Drawer Slider (H) to 1x Middle Panel (3) using 9x CSK Screw M3.5x16mm (G). Flip to other side and repeat same action.



## Step 7

Attach the 1x Top Support Bar (4) and 2x Drawer Support Bar (L) (5) and 1x Back Inner Panel (L) (12) to 1x Middle Panel (7) using 3x Minifix Bolt (C) and 3x Minifix Housing (D) and 3x Minifix Cap (E). Turn the 3x Minifix Housing (D) to tighten using the 1x Allen Key (A) or screwdriver (not Provided). Cover the 3x Minifix Housing (D) using the 3x Minifix Cap (E) by pressing it into the Minifix House.



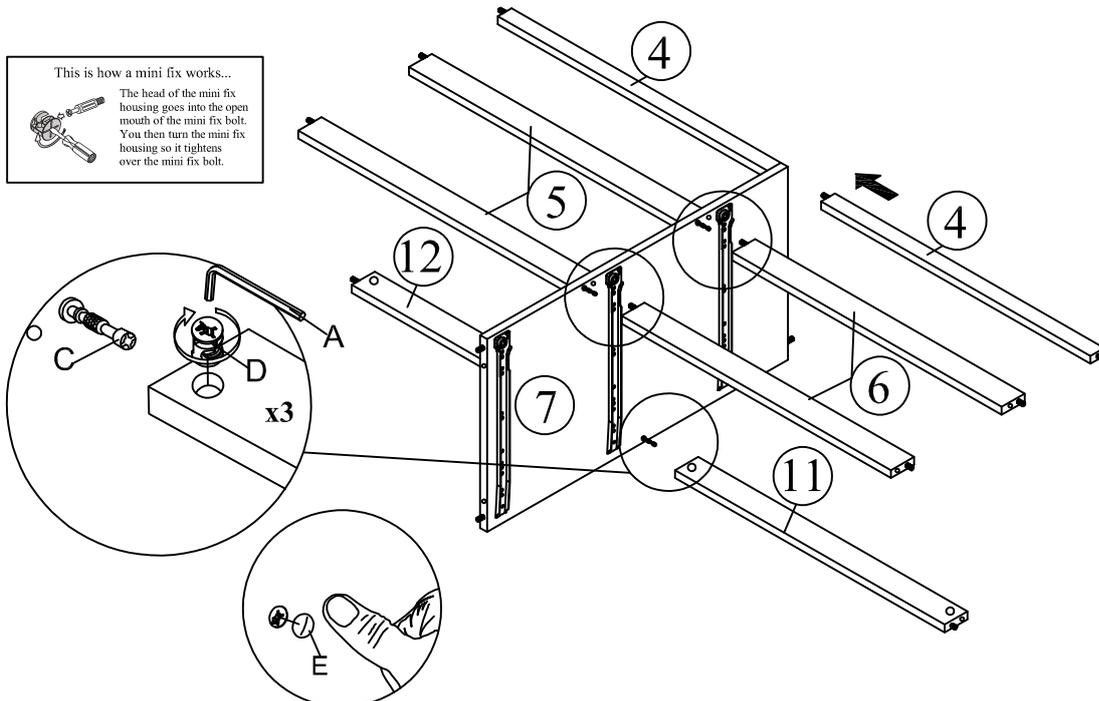
This is how a mini fix works...  
The head of the mini fix housing goes into the open mouth of the mini fix bolt. You then turn the mini fix housing so it tightens over the mini fix bolt.

\*Attach Minifix Cap as shown.

**DO NOT use any power tools as this may damage the frame and will invalidate any claim.**

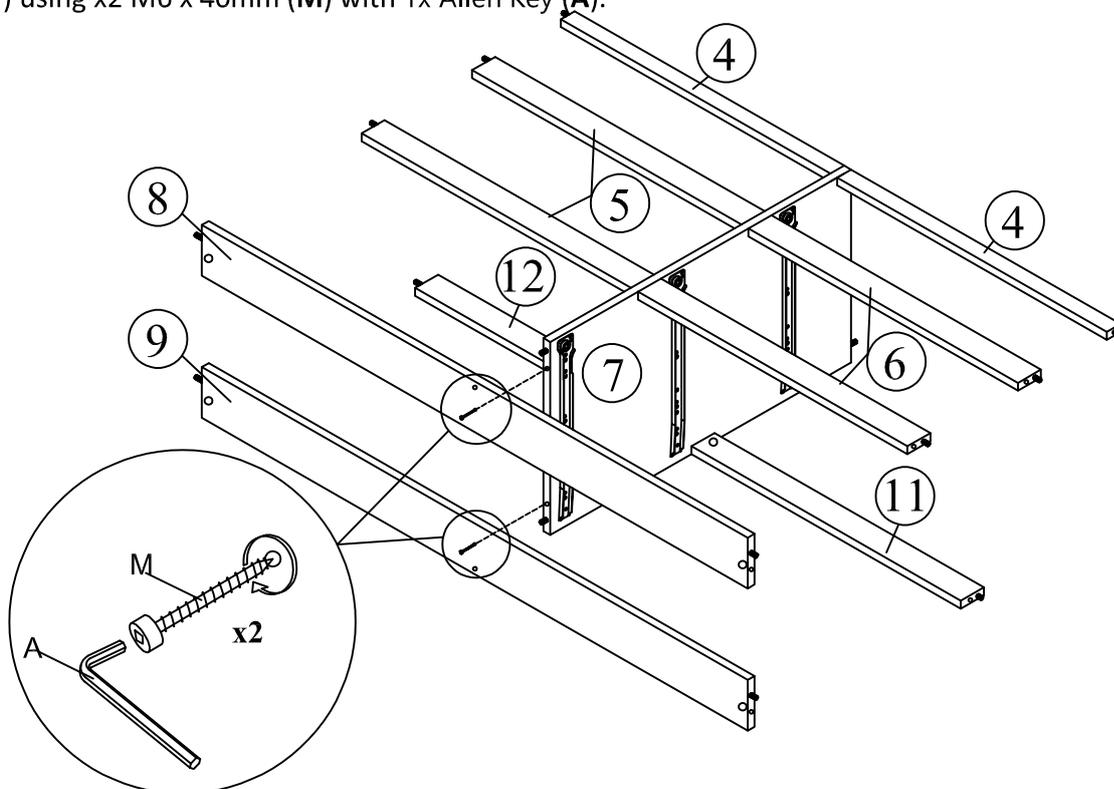
## Step 8

Attach the 1x Top Support Bar (4) and 2x Drawer Support Bar (R) (6) and 1x Back Inner Panel (R) (11) to 1x Middle Panel (7) using 3x Minifix Bolt (C) and 3x Minifix Housing (D) and 3x Minifix Cap (E). Turn the 3x Minifix Housing (D) to tighten using the 1x Allen Key (A) or screwdriver (not Provided). Cover the 3x Minifix Housing (D) using the 3x Minifix Cap (E) by pressing it into the Minifix House.



## Step 9

Attach the 1x Front Support Panel (8) and 1x Back Support Panel (9) to the bottom at 1x Middle Panel (7) using x2 M6 x 40mm (M) with 1x Allen Key (A).

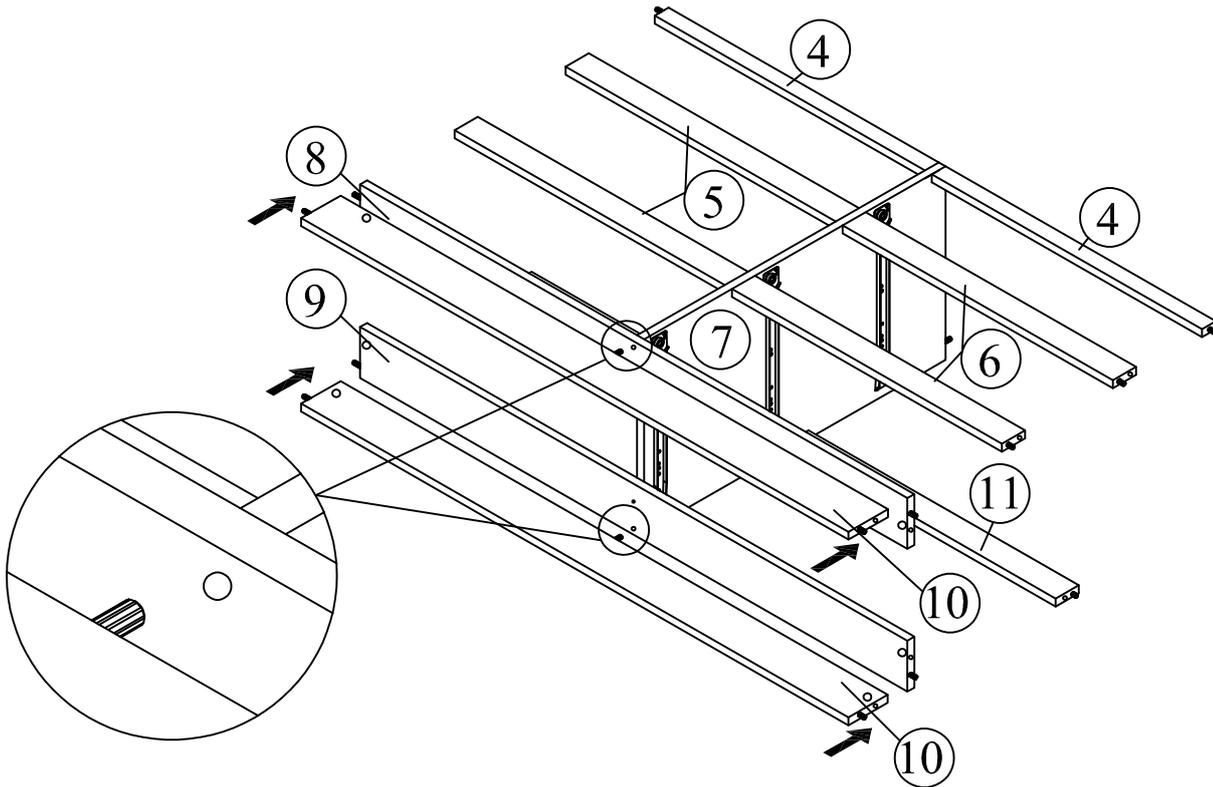


**DO NOT use any power tools as this may damage the frame and will invalidate any claim.**



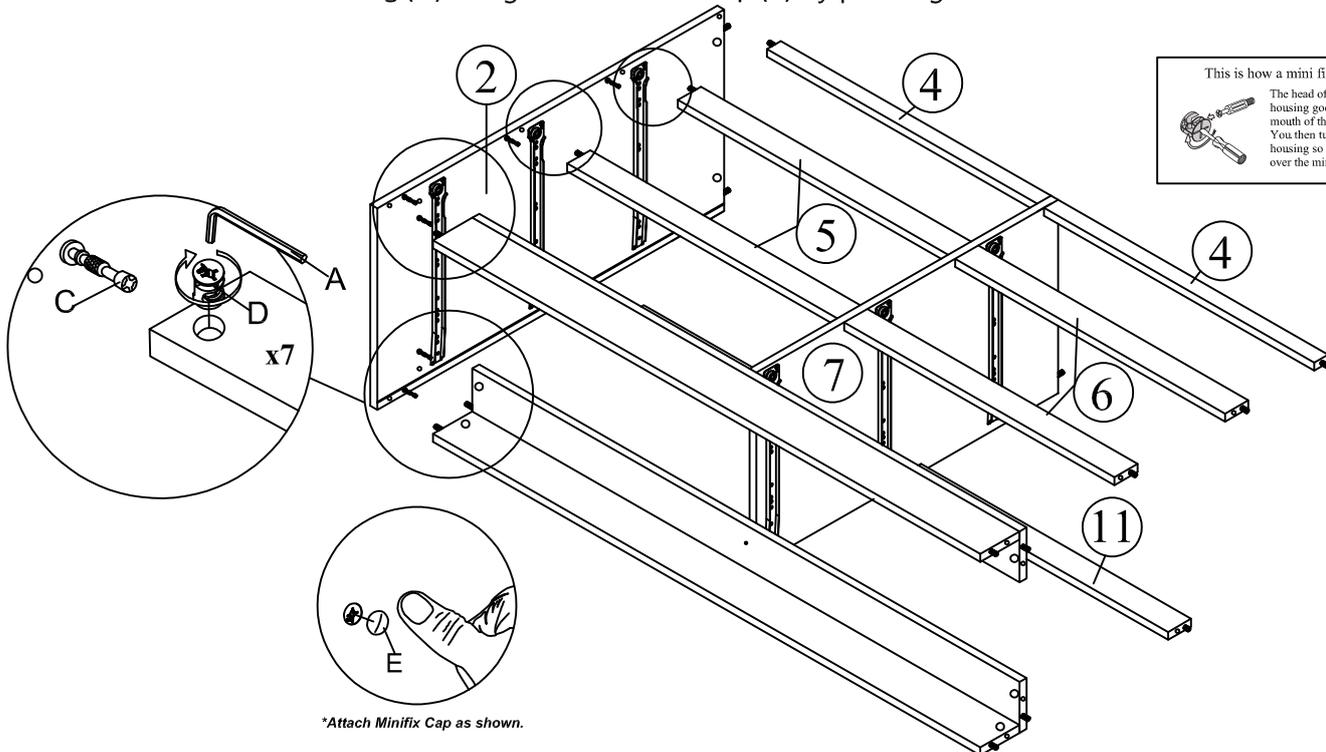
## Step 10

Slot the 2x Legs Panel (10) at 1x Front Support Panel (8) and 1x Back Support Panel (9).



## Step 11

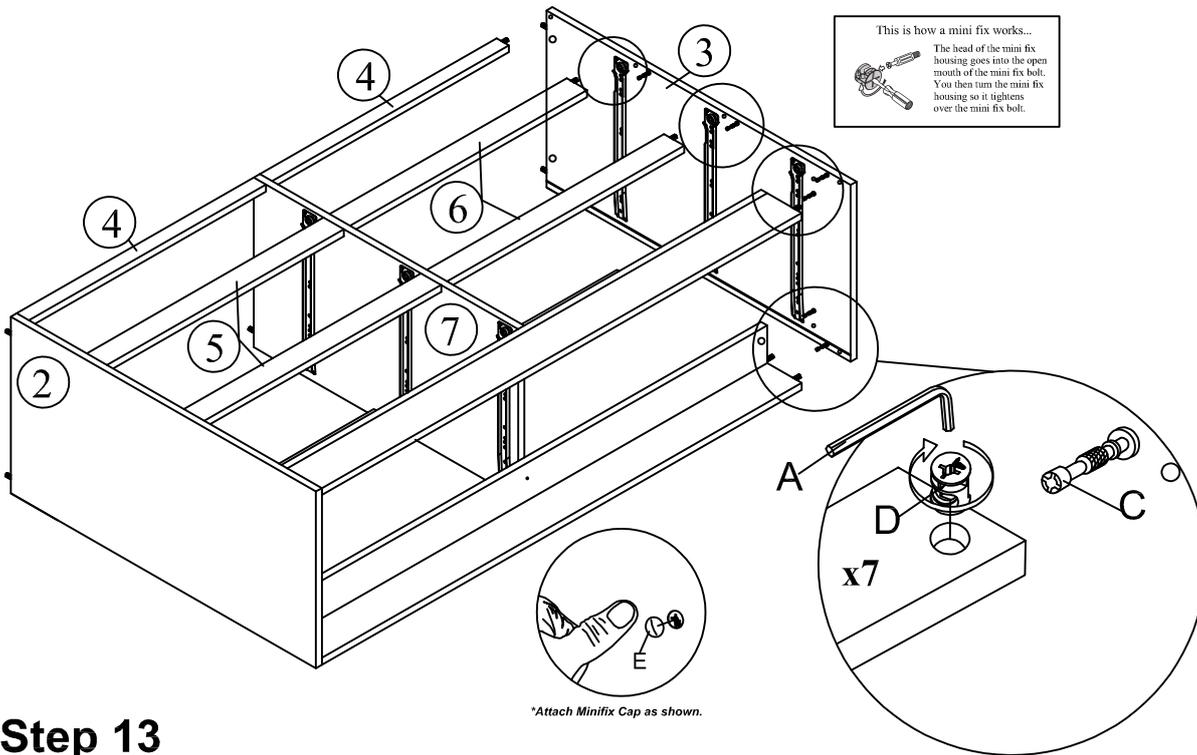
Attach the 1x Top Support Bar (4) and 2x Drawer Support Bar (L) (5) and 1x Back Inner Panel (L) (12) to 1x Left Side Panel (2) using 7x Minifix Bolt (C) and 7x Minifix Housing (D) and 7x Minifix Cap (E). Turn the 7x Minifix Housing (D) to tighten using the 1x Allen Key (A) or screwdriver (not Provided). Cover the 7x Minifix Housing (D) using the 7x Minifix Cap (E) by pressing it into the Minifix House.



**DO NOT use any power tools as this may damage the frame and will invalidate any claim.**

## Step 12

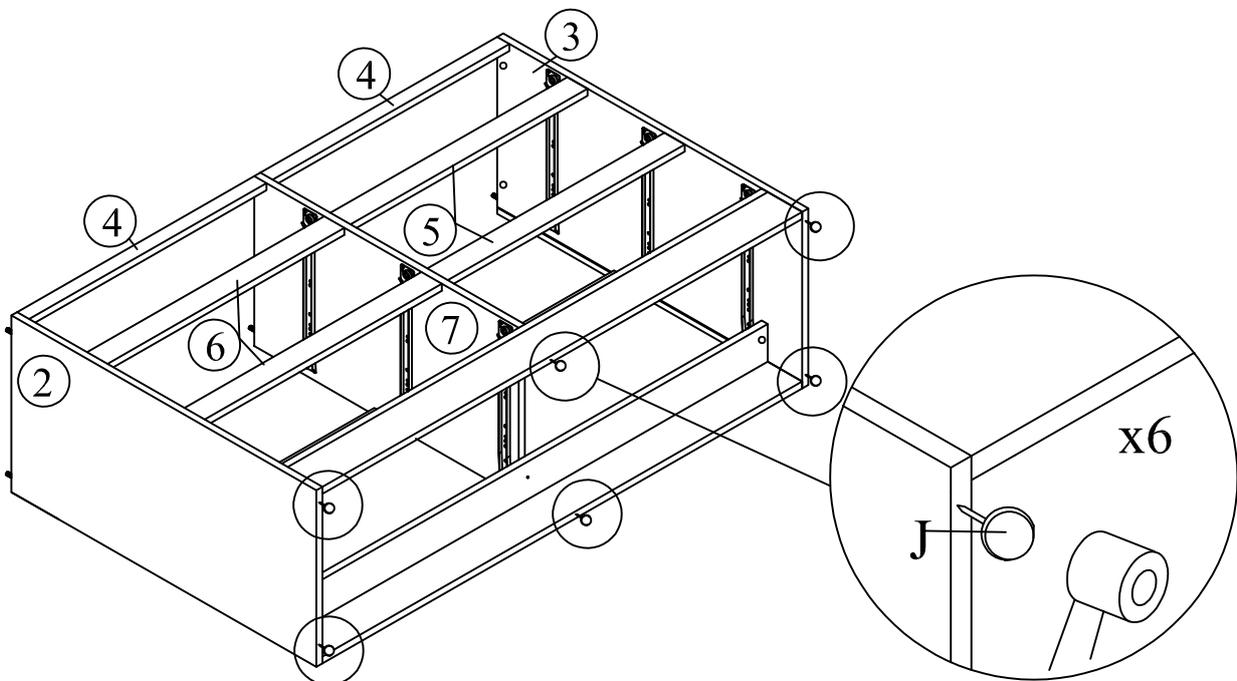
Attach the 1x Top Support Bar (4) and 2x Drawer Support Bar (R) (6) and 1x Back Inner Panel (R) (11) to 1x Right Side Panel (3) using 7x Minifix Bolt (C) and 7x Minifix Housing (D) and 7x Minifix Cap (E). Turn the 7x Minifix Housing (D) to tighten using the 1x Allen Key (A) or screwdriver (not Provided). Cover the 7x Minifix Housing (D) using the 7x Minifix Cap (E) by pressing it into the Minifix House.



\*Attach Minifix Cap as shown.

## Step 13

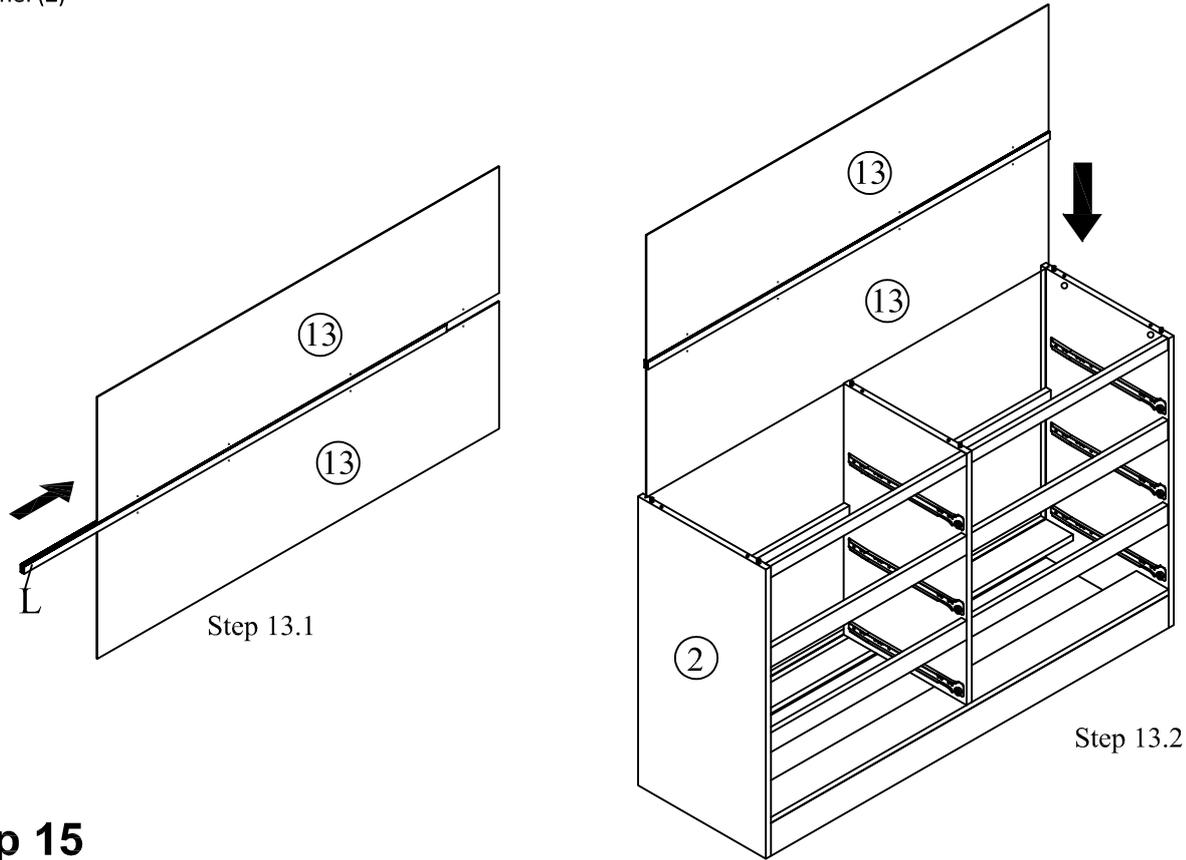
Attach the 6x White Nail (J) to 1x Left Side Panel (2), 1x Right Side Panel (3) and 2x Legs Panel (10) using Hammer.



**DO NOT** use any power tools as this may damage the frame and will invalidate any claim.

## Step 14

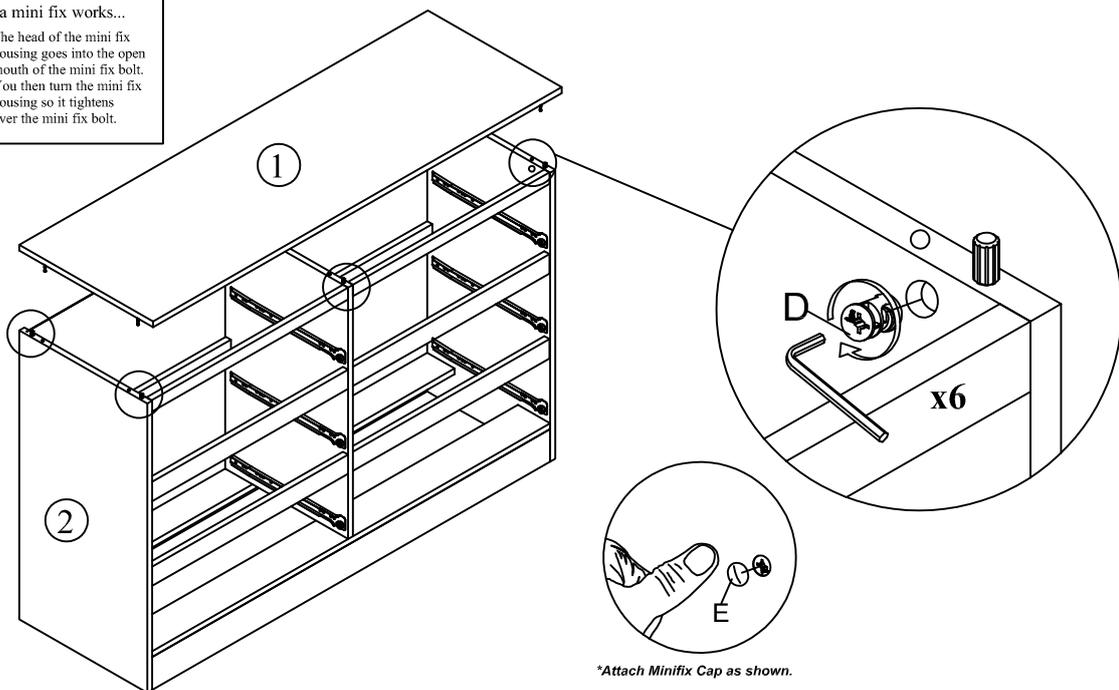
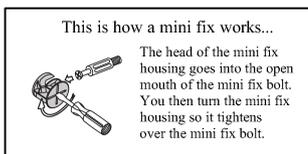
Slot the 1x H Profile (L) in between 2x Back Panel (13), then slot in the slide at 1x Right Side Panel (3) and 1x Left Side Panel (2)



## Step 15

Attach the 1x Top Panel (1) to 1x Right Side Panel (3) and 1x Left Side Panel (2) using 6x Minifix Bolt (C) and 6x Minifix Housing (D) and 6x Minifix Cap (E). Turn the 6x Minifix Housing (D) to tighten using the 1x Allen Key (A) or screwdriver (not Provided).

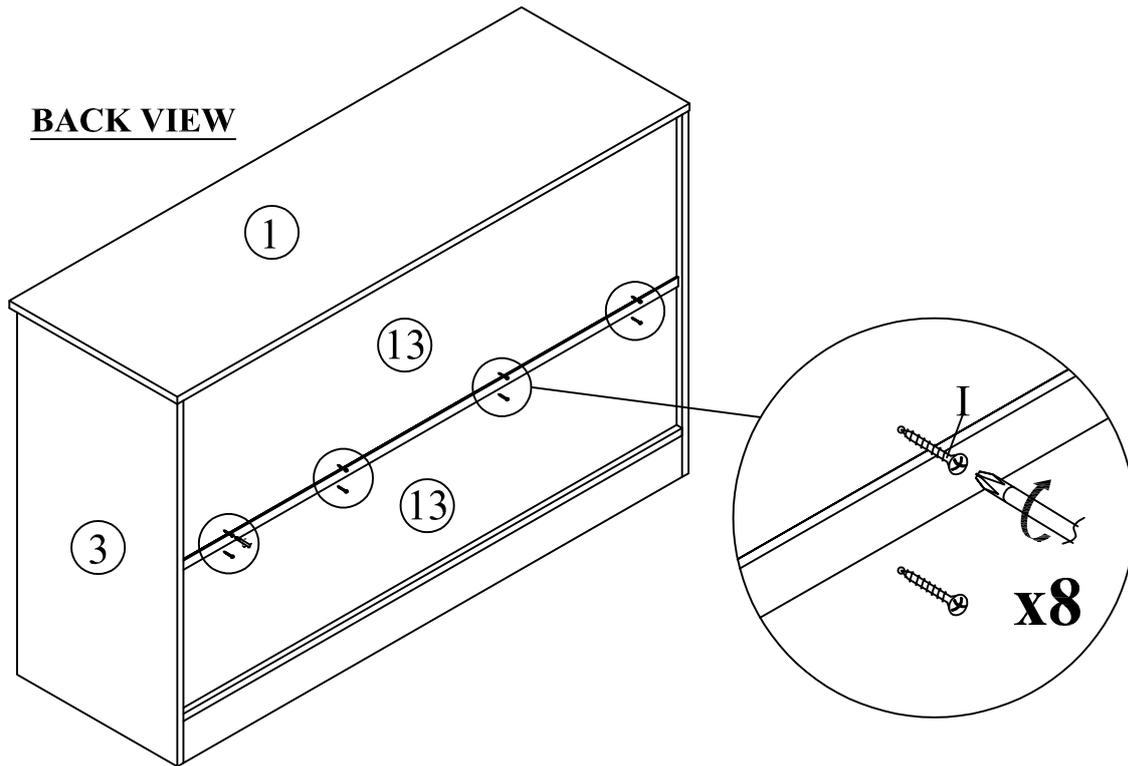
Cover the 6x Minifix Housing (D) using the 6x Minifix Cap (E) by pressing it into the Minifix House.



**DO NOT** use any power tools as this may damage the frame and will invalidate any claim.

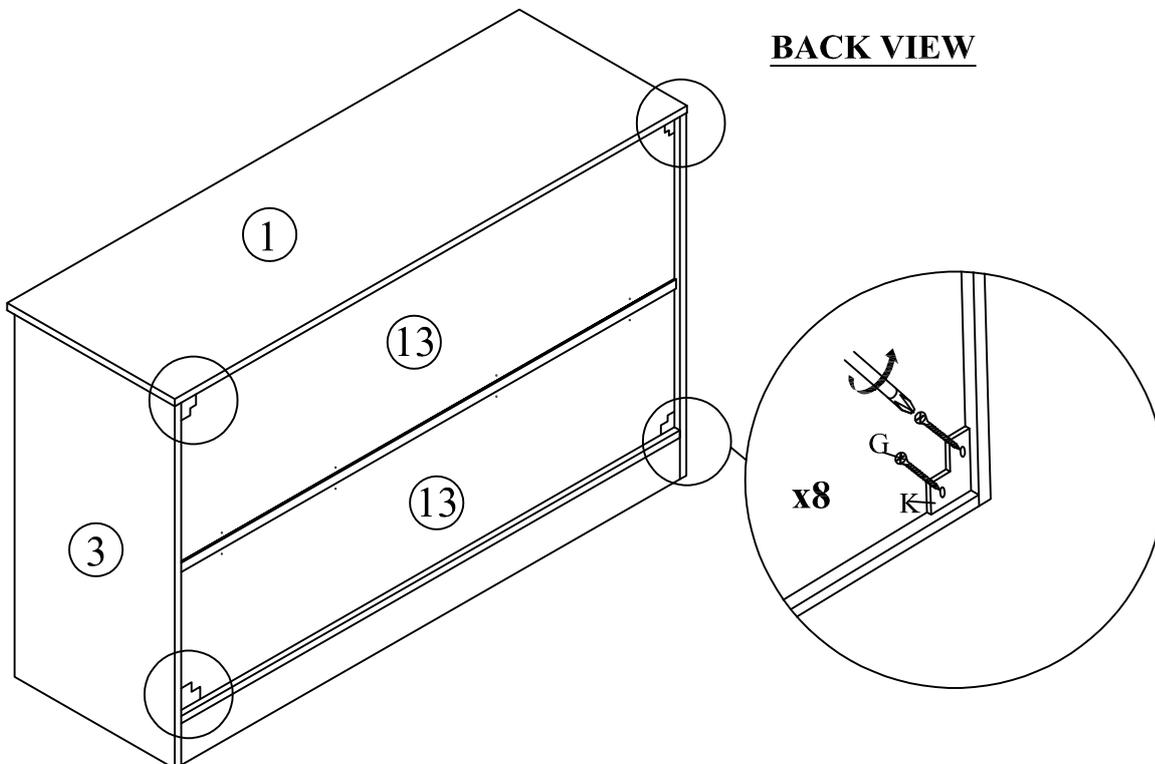
## Step 16

Tighten the 8x CSK Screw M4x18mm (Black) (I) to 2x Back Panel (13) with a screwdriver (not Provided).



## Step 17

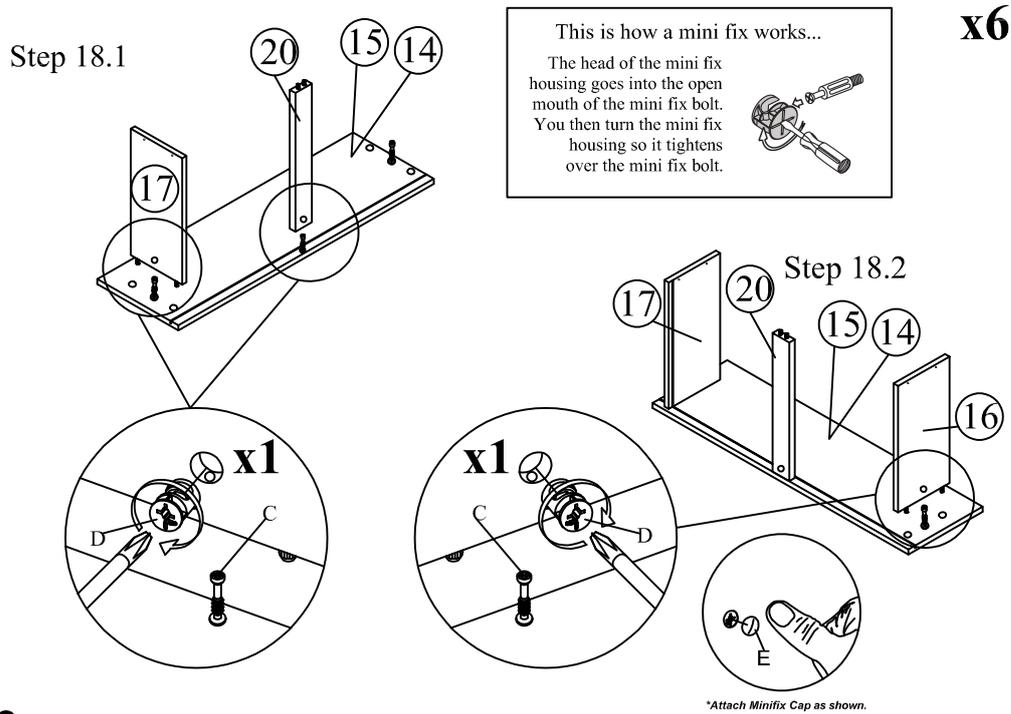
Attach the 4x L Bracket (K) to 1x Right Side Panel (3), 1x Left Side Panel (2), 1x Top Panel (1) and 1x Back Support Panel (9) using 8x CSK Screw M3.5x16mm (G) with a screwdriver (not Provided).



**DO NOT** use any power tools as this may damage the frame and will invalidate any claim.

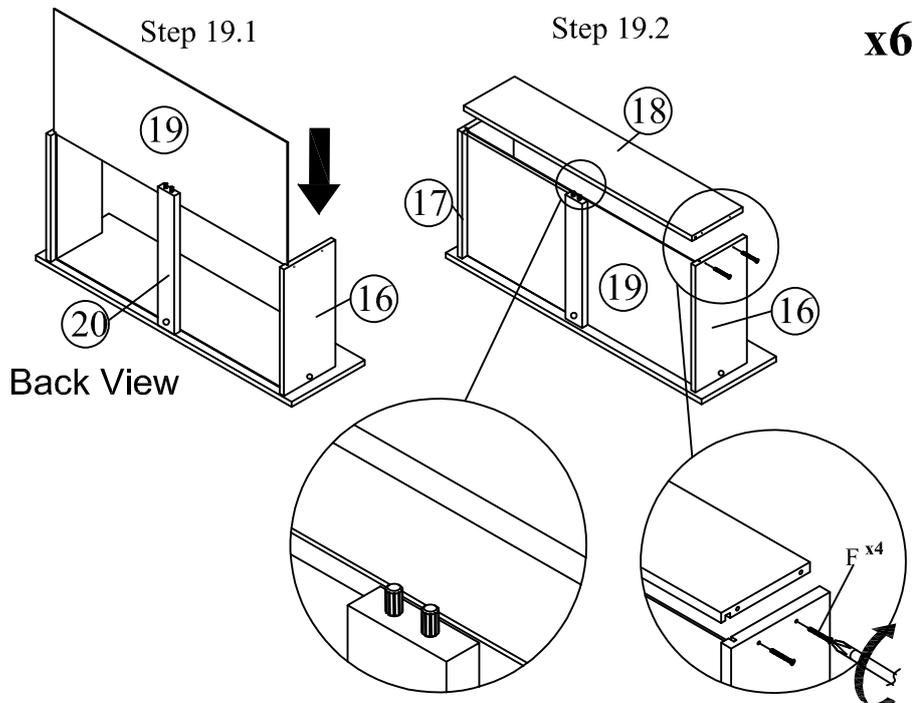
## Step 18

Attach the 6x Drawer Side Panel (R) (17), 6x Drawer Side Panel (L) (16) and 6x Drawer Support Bar (20) to 6x Drawer Front Panel (14,15) using 18x Minifix Bolt (C) and 18x Minifix Housing (D) and 18x Minifix Cap (E). Turn the 18x Minifix Housing (D) to tighten using the 1x Allen Key (A) or screwdriver (not Provided). Cover the 18x Minifix Housing (D) using the 18x Minifix Cap (E) by pressing it into the Minifix House.



## Step 19

Slot 6x Bottom Panel (19) to 6x Drawer Side Panel (L) (16) and 6x Drawer Side Panel (R) (17) then tighten 6x Drawer Back Panel (18) using 24x CSK Screw M4x50mm (F).



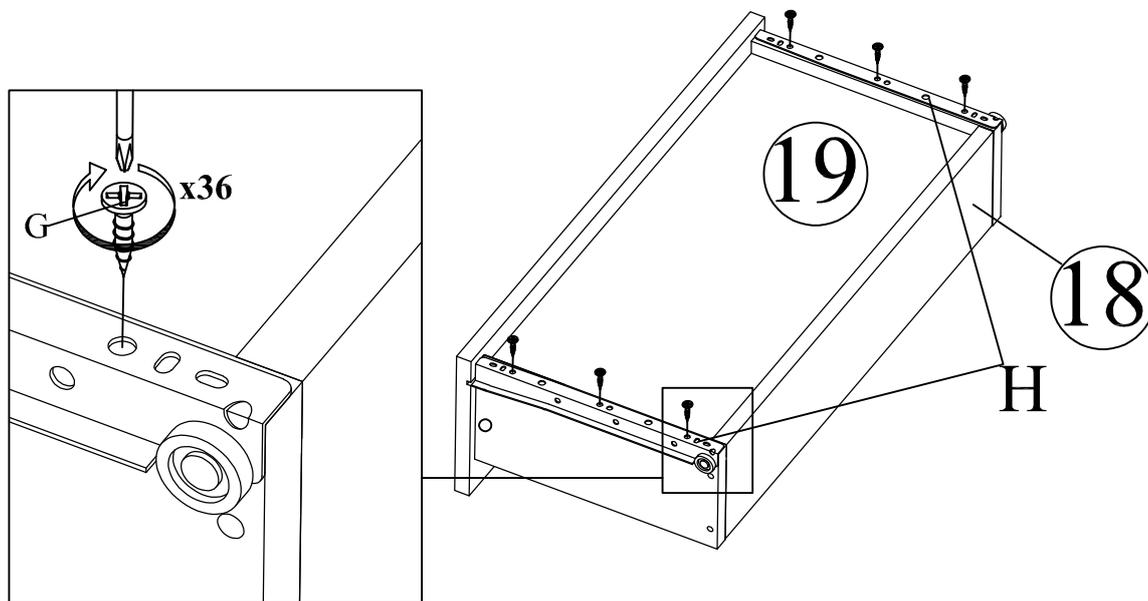
**DO NOT** use any power tools as this may damage the frame and will invalidate any claim.

## Step 20

Tighten the 36x CSK Screw M3.5x16mm (G) to 6x Drawer Slider (H) and to the Side Panel (L/R) as shown.

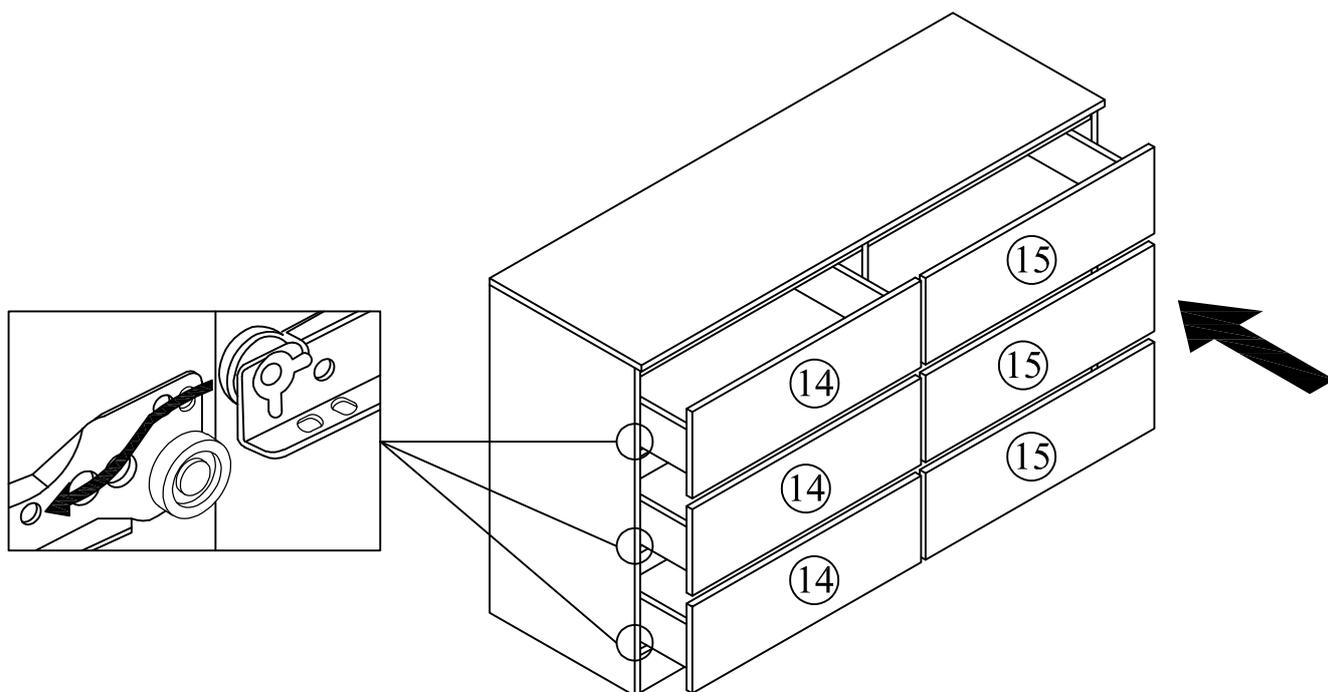
### Back View

x6



## Step 21

Slide the all drawer to the slider as shown.



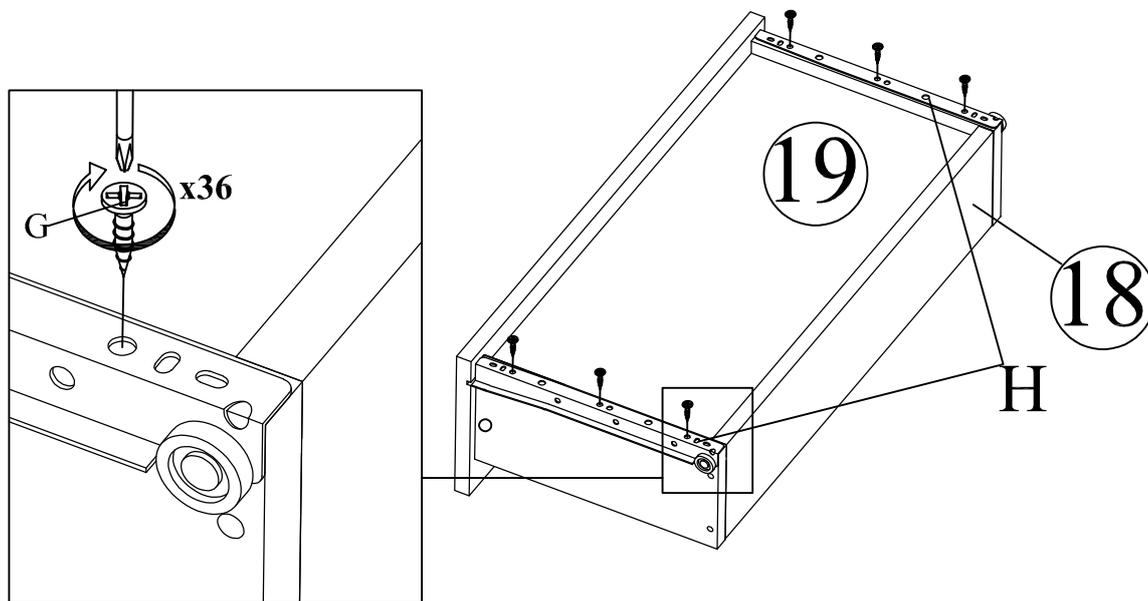
**DO NOT** use any power tools as this may damage the frame and will invalidate any claim.

## Step 20

Tighten the 36x CSK Screw M3.5x16mm (G) to 6x Drawer Slider (H) and to the Side Panel (L/R) as shown.

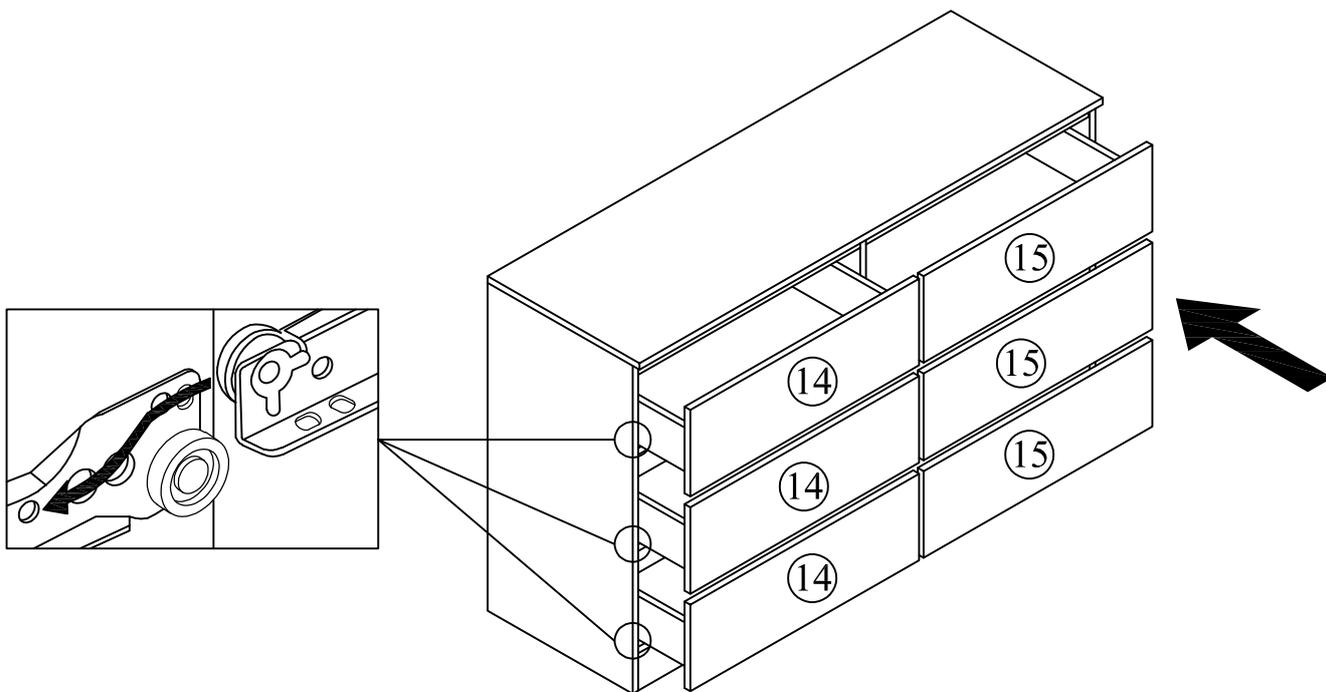
### Back View

x6



## Step 21

Slide the all drawer to the slider as shown.



**DO NOT** use any power tools as this may damage the frame and will invalidate any claim.

Please dispose of all packaging safely.

## General Care & Maintenance

Wipe clean with a slightly damp cloth.  
Avoid the use of all household cleaners and abrasives.

Periodically check all screw & fixings to ensure they are secure.

When moving your product, carefully lift into place. Never drag or push the product across the floor as this will cause damage to the joints. If the product is used on hard flooring, such as wood or laminated floor, you must place some protection under the legs to stop the product from moving. If this is not adhered to, it could result in failure to the product that will invalidate the warranty.

For more information on cleaning and product care visit:  
<https://www.happybeds.co.uk/help-and-advice>

## Notes

In the unlikely event that you have problems putting this product together or have damaged or missing parts, please contact us by visiting:  
<https://www.happybeds.co.uk/customer-service>