

Assembly Instructions

Important before assembly:

Read these instructions carefully before assembling or using the product.

Please check the contents of the boxes before attempting to assemble this product. The instructions will have a checklist of parts and fittings.

Assemble the product as close to its intended final location/room as possible.

Health & Safety:

This product or some parts of this product will be heavy. Please use an assistant when lifting.

Please keep small parts out of reach of children.

Always use on a level, even surface.

DO NOT jump on the product or any of its parts.

DO NOT use this product if any parts are missing, damaged or worn.

DO NOT use this product unless all fixings are secured.

Further instructions are on the following pages.

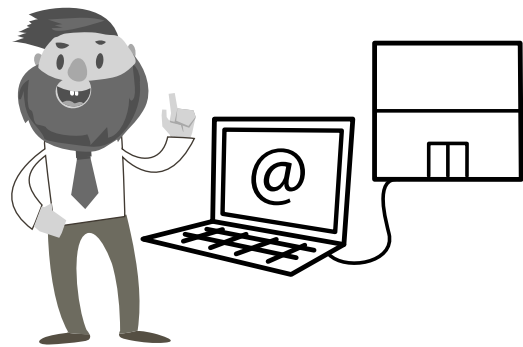
Please keep these instructions for future reference.



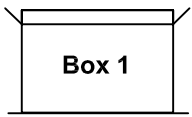
This product or some parts of this product will be heavy. Please use an assistant when lifting.



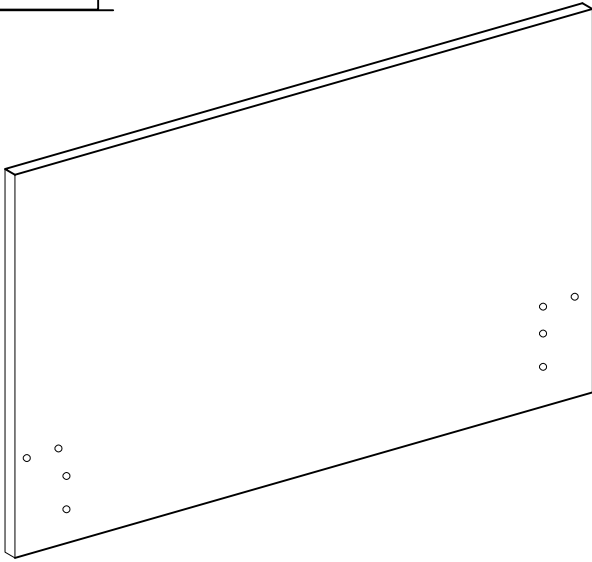
Never drag or push the pieces across a hard or stone floor as this will cause damage to the joints. Use a carpet or a rug for extra care.



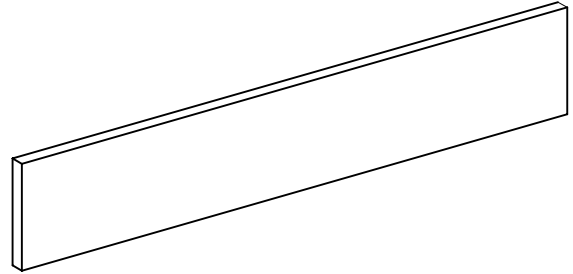
If you have problems assembling or have damaged or missing pieces, please contact our customer services (details at the back of these instructions)



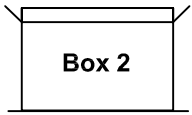
Box 1



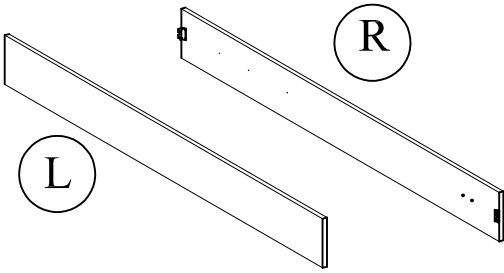
1.Headboard (x1)



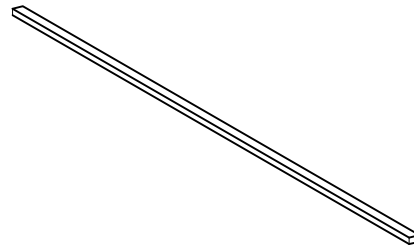
2.Footboard (x1)



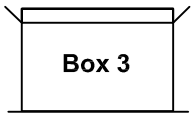
Box 2



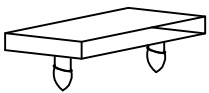
3.Side Rail L/R (x2)



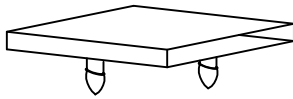
18.Side Rail Support (x2)



Box 3



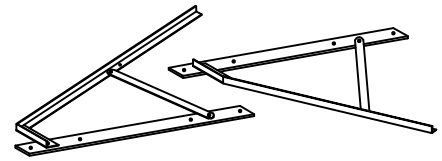
4.End Holder (x24)



5.Middle Holder (x12)



6.Slats (x24)



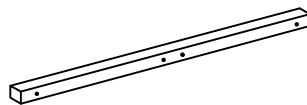
7.Pump Mounting Bracket (x2)



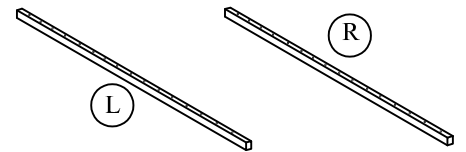
8.Bracket Base (x2)



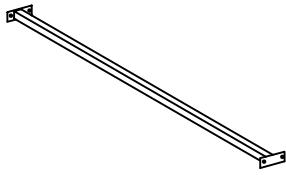
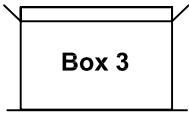
9.FB/SR Angle Bracket (x2)



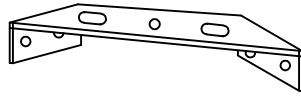
10.Main Frame (Front/End) (x2)



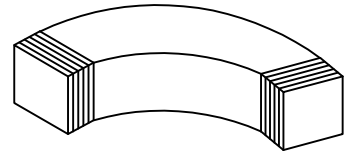
11.Main Frame Side (x2)



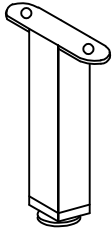
12.Center Rail (x1)



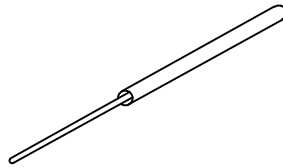
13.Metal Corner Bracket (x4)



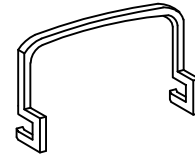
14.Rubber Corner Connector (x4)



15.Support Leg (x1)



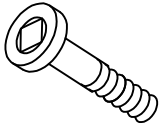
16.Gas Spring (x2)



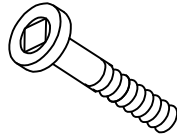
17.Stopper (x1)

Hardware

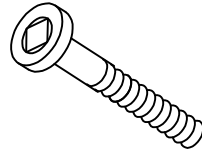
All fitting are stored within Box 3



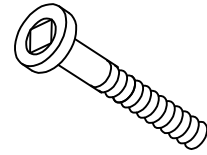
A.M6 x 20 mm JCBC (x8)



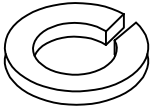
B.M6 x 40 mm JCBC (x8)



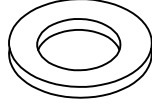
C.M6 x 50 mm JCBC (x18)



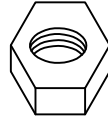
D.JCBB M8 x 50 mm (x10)



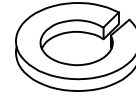
E.M6 Spring Washer Black (x52)



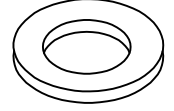
F.M6 Flat Washer Black (x52)



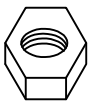
G.M6 Hex Nut (x18)



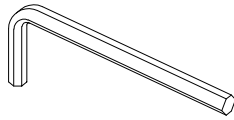
H.M8 Spring Washer Black (x20)



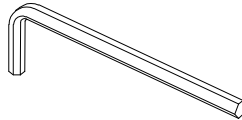
I.M8 Flat Washer Black (x20)



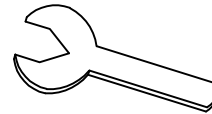
J.M8 Hex Nut (x10)



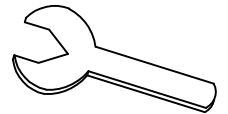
K.Allen Key M4 (x1)



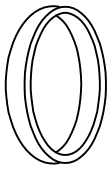
L.Allen Key M5 (x1)



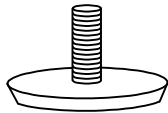
M.M6 Spanner (x1)



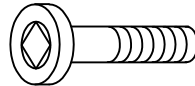
N.M8 Spanner (x1)



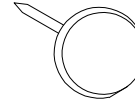
O.Frame Lifter (x1)



P.Adjuster (x1)



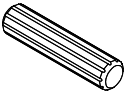
Q.JCBB M6 x 20 mm (x8)



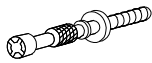
R.White Nail (x8)



S.M8 Flat Washer (x8)



T.Dowel (x8)



U.Minifix Bolt (x10)



V.Minifix Housing (x10)

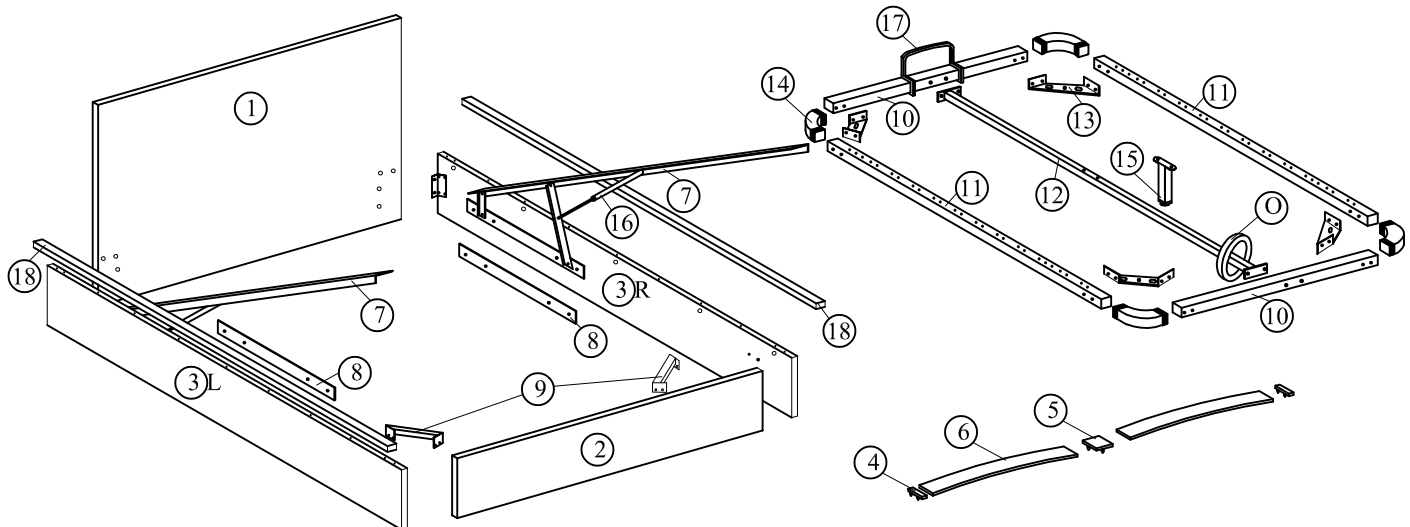


W.Minifix Cap (x10)

***You will need a screwdriver (not provided)**

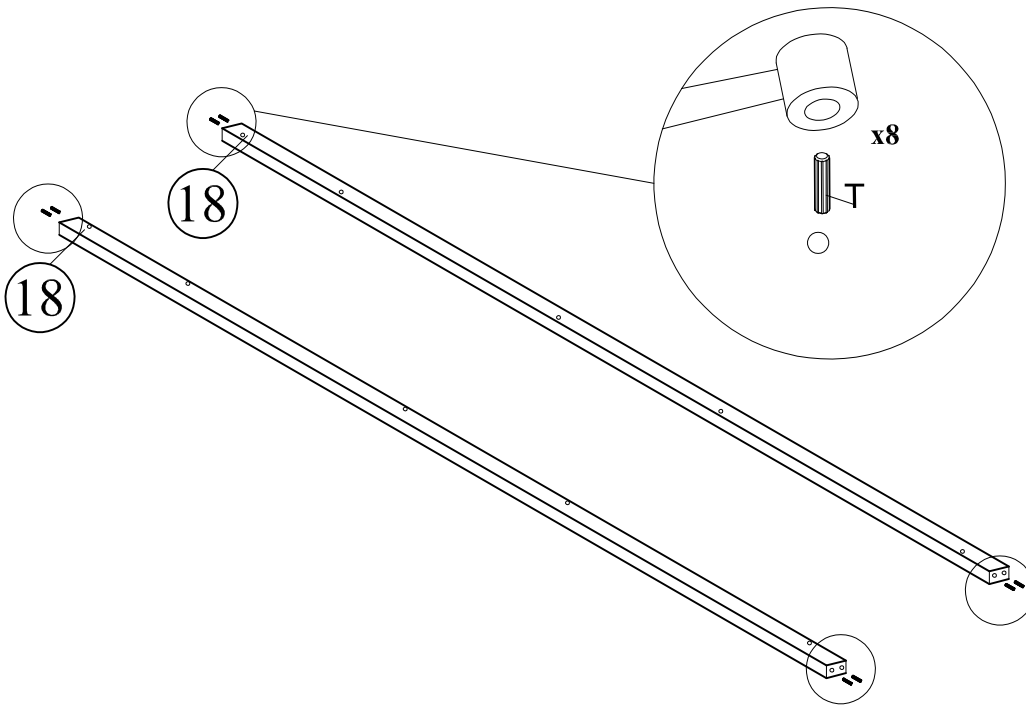
Step 1

Unpack all components from the boxes and check you are not missing anything. Please check these against the list on page 3,4&5. Should you identify any missing components, please contact the retailer you purchased the bed from.



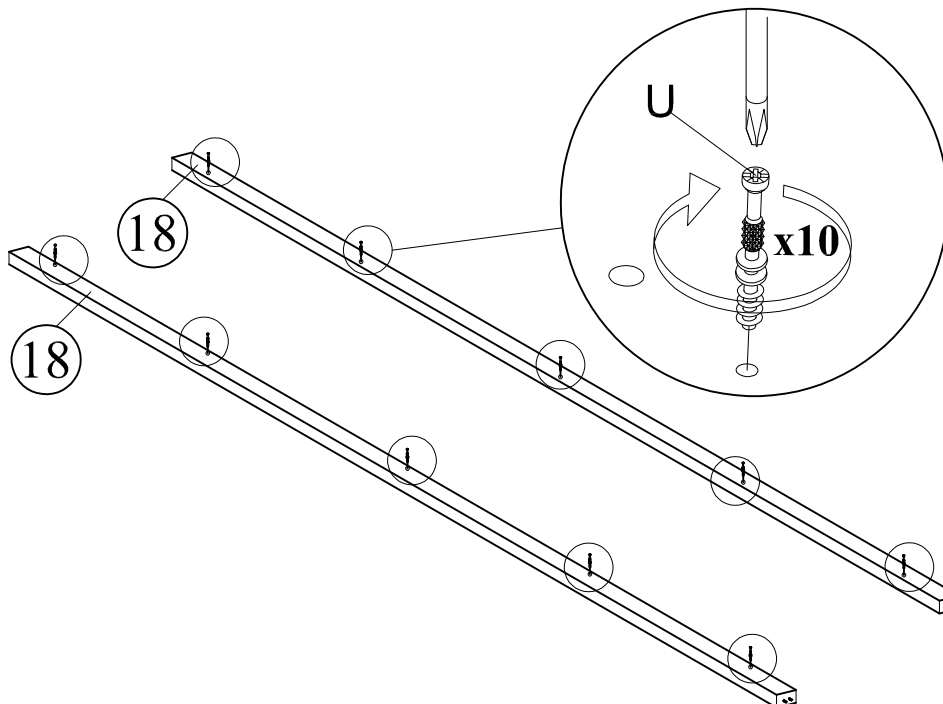
Step 2

Attach the 8x Plastic Dowel (T) to the all parts as shown.



Step 3

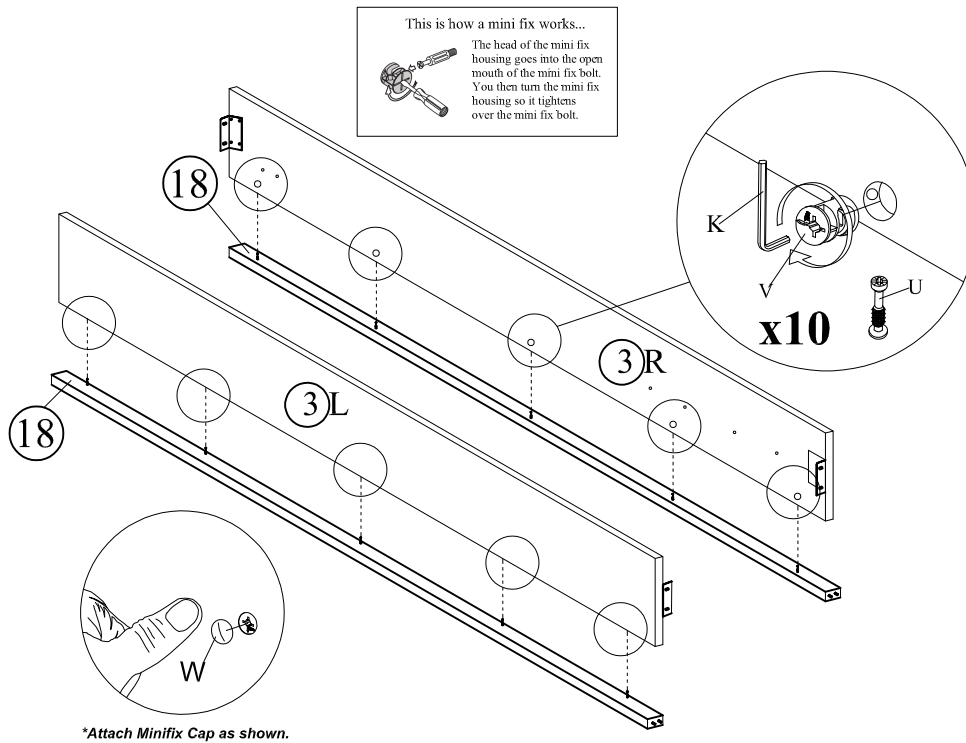
Attach the 10x Minifix Bolt (U) to the all parts as shown.



DO NOT use any power tools as this may damage the frame and will invalidate any claim.

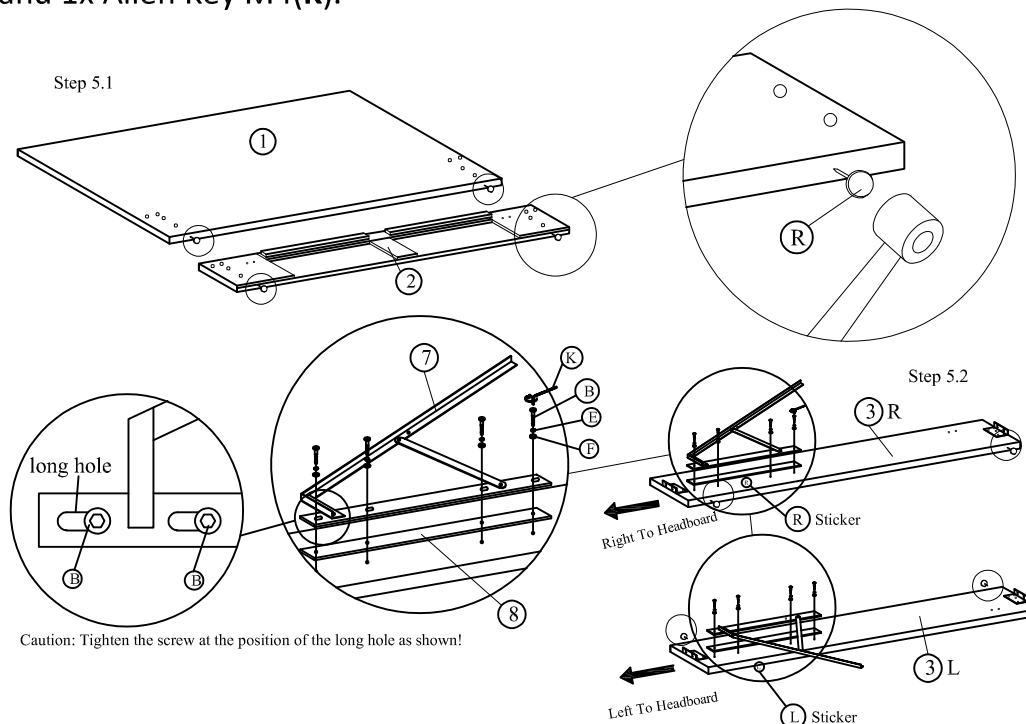
Step 4

Attach the 2x Side Rail Left/Right (3) to 2x Side Rail Support (18) using 10x Minifix Bolt (U) and 10x Minifix Housing (V) and 10x Minifix Cap (W). Turn the 10x Minifix Housing (V) to tighten using the 1x Allen Key (K) or screwdriver. Cover the 10x Minifix Housing (V) using the 10x Minifix Cap (W) by pressing it into the Minifix House.



Step 5

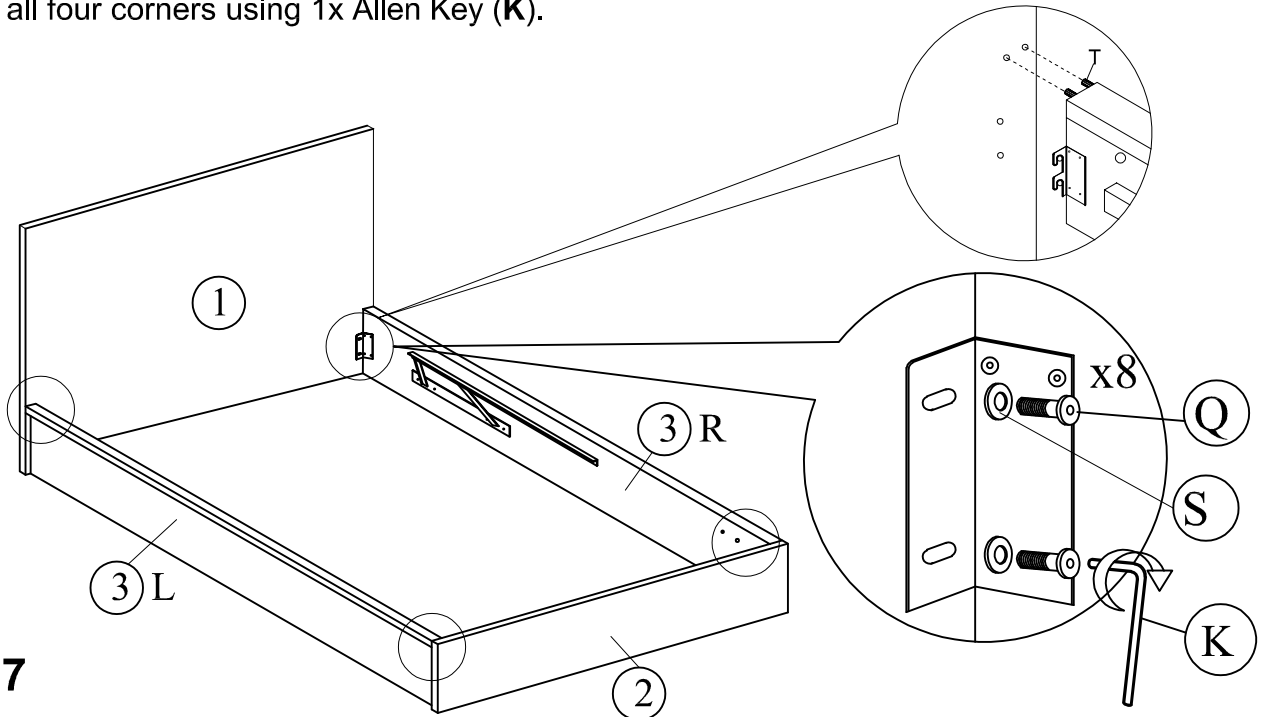
Attach the 8x White Nail Leg (R) to 1x Headboard (1) and 1x Footboard (2), 2x Side Rail (3) using Hammer. Attach the 2x Pump Mounting bracket (7) and 2x Bracket Base (8) to the 2x Side Rail Left/Right (3) using hardware parts 8x M6 x 40 mm JCBC (B), 8x M6 Spring Washer (E), 8x M6 Flat Washer (F) and 1x Allen Key M4 (K).



DO NOT use any power tools as this may damage the frame and will invalidate any claim.

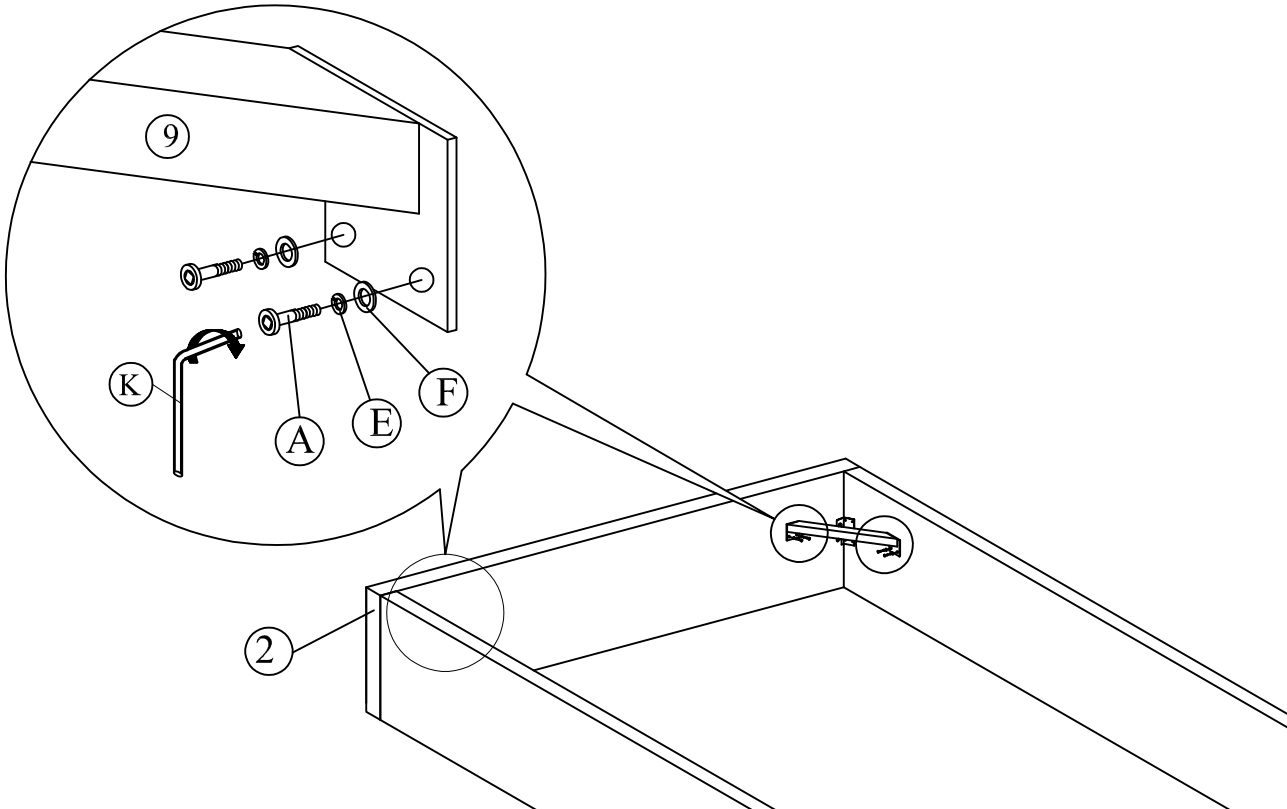
Step 6

Match the 8x Dowel (T) into 1x Headboard (1) and 1x Footboard (2) then attach 8x JCBB M6 x 20mm (Q) with 8x M8 Flat Washer (S) slot the 2x Side Rail Left/Right (3) onto the bolts attached to the 1x Headboard (1). Then slot 2x Side Rail Left/Right (3) onto the bolts attached to the 1x Footboard (2). Tighten all four corners using 1x Allen Key (K).



Step 7

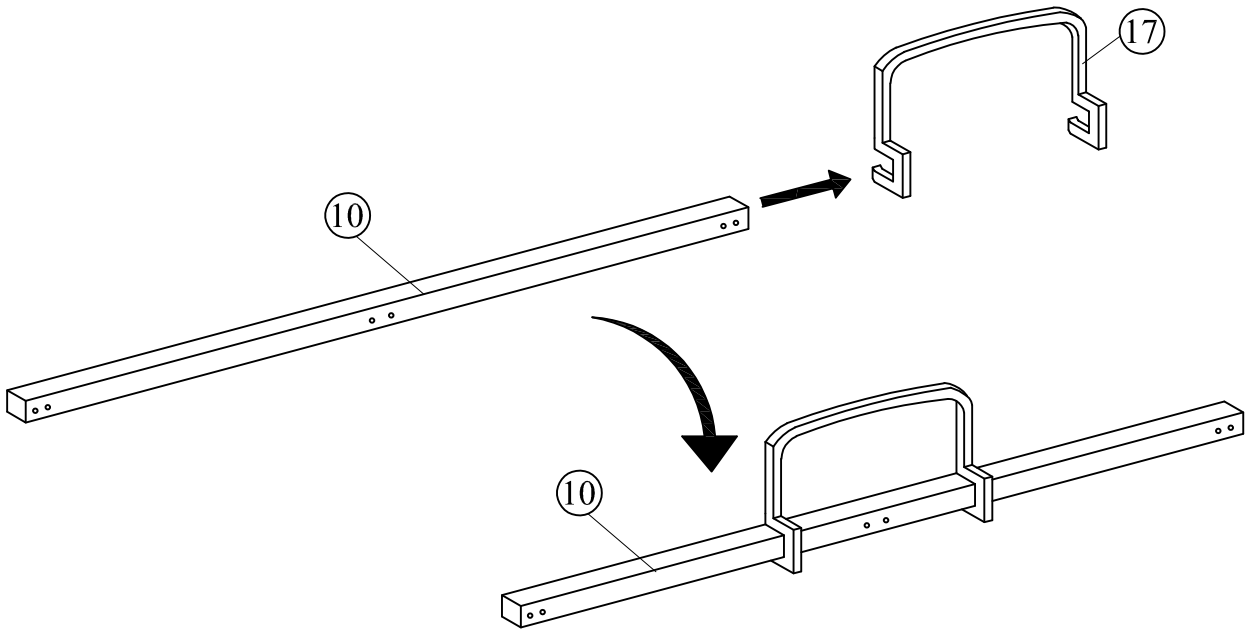
Attach the 2x FB/SR Angle Bracket (9) to the 2x Side Rail Left/Right (3) with 8x M6 x 20mm JCBC (A), 8x M6 Spring Washer (E), 8x M6 Flat Washer (F) using 1x Allen Key M4 (K).



DO NOT use any power tools as this may damage the frame and will invalidate any claim.

Step 8

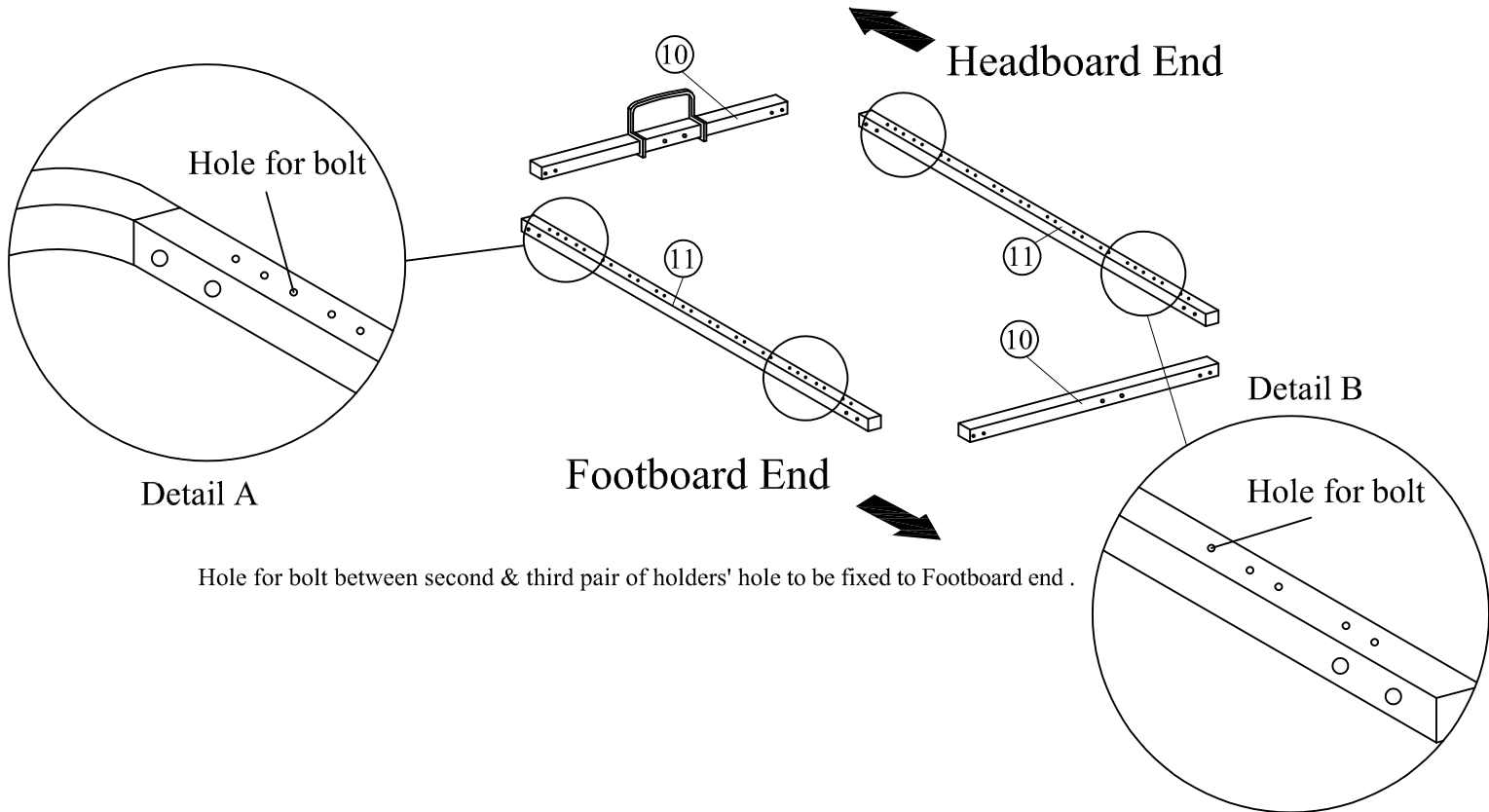
Slot 1x Stopper (17) to 1x Main Frame (Front/End) (10) as shown.



Step 9

Arrange the 2x Main Frame Side (11) beside 2x Main Frame (Front/End) (10) as shown.

Hole for bolt between first & second pair of holders' hole to be fixed to headboard end.

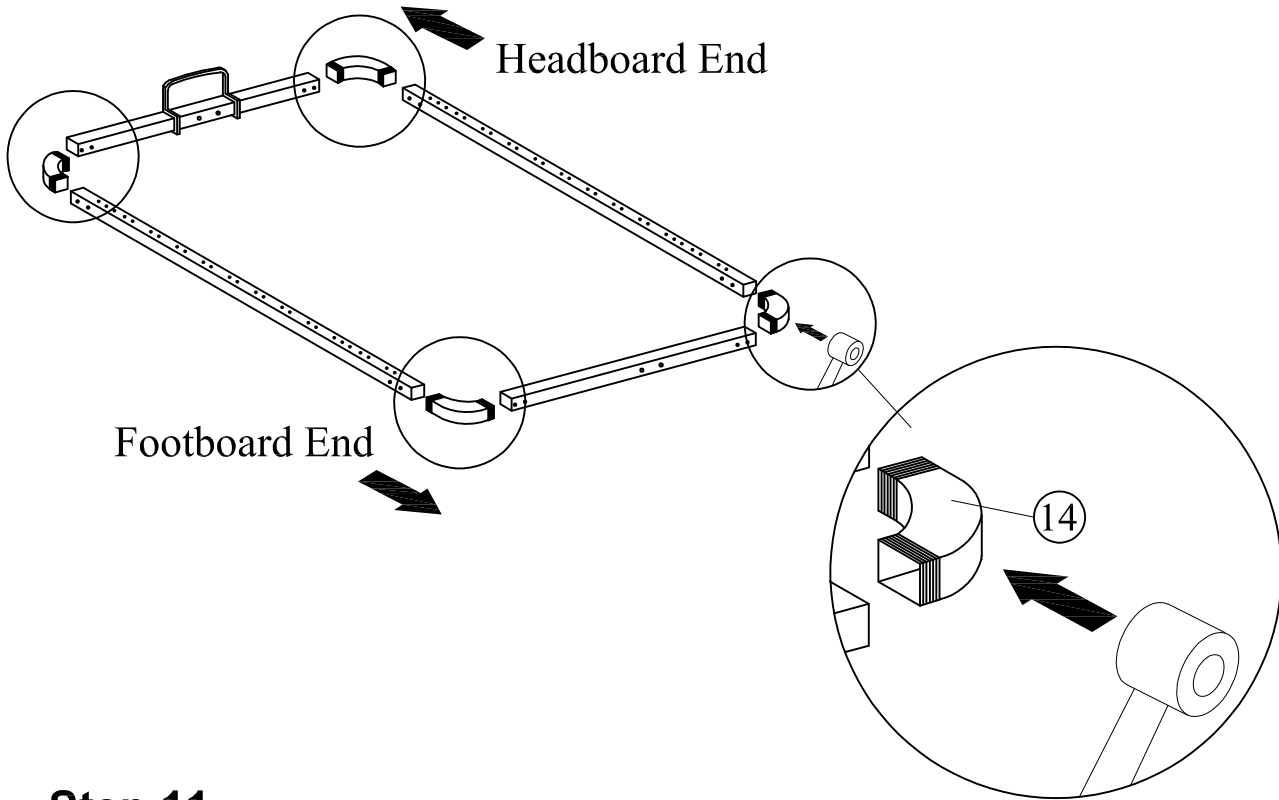


Hole for bolt between second & third pair of holders' hole to be fixed to Footboard end.

DO NOT use any power tools as this may damage the frame and will invalidate any claim.

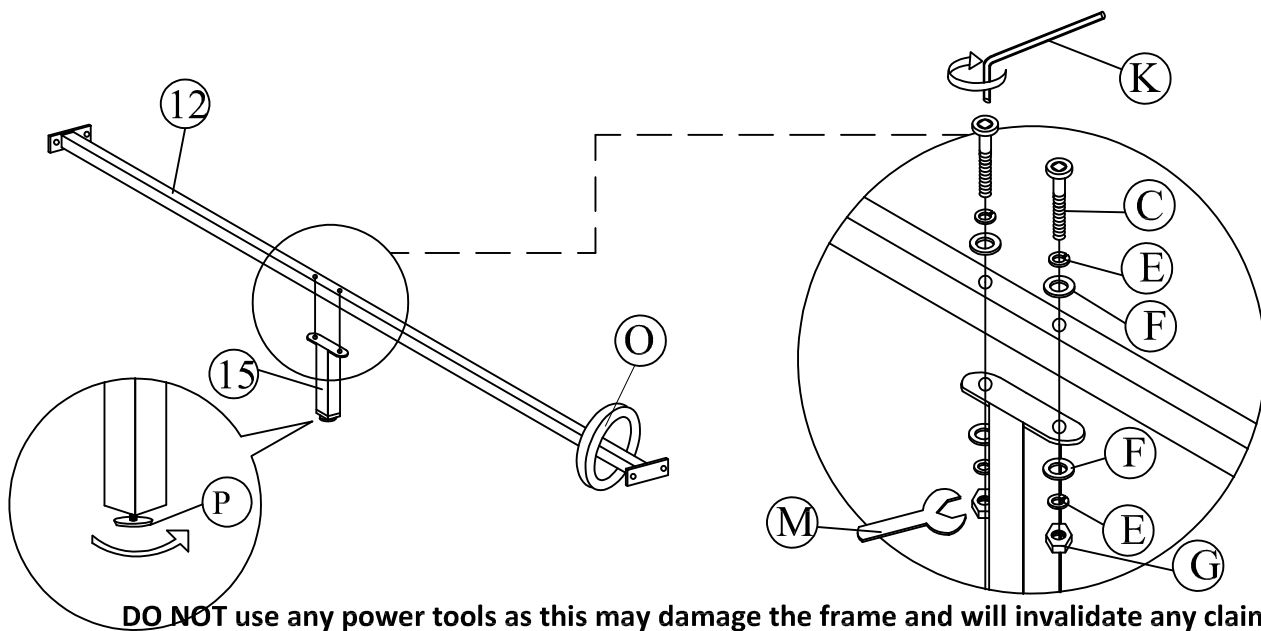
Step 10

Slot 4x Rubber Corner Connector (14) at 2x Main Frame (Front/End) (10) and 2x Main Frame Side (11) as shown.



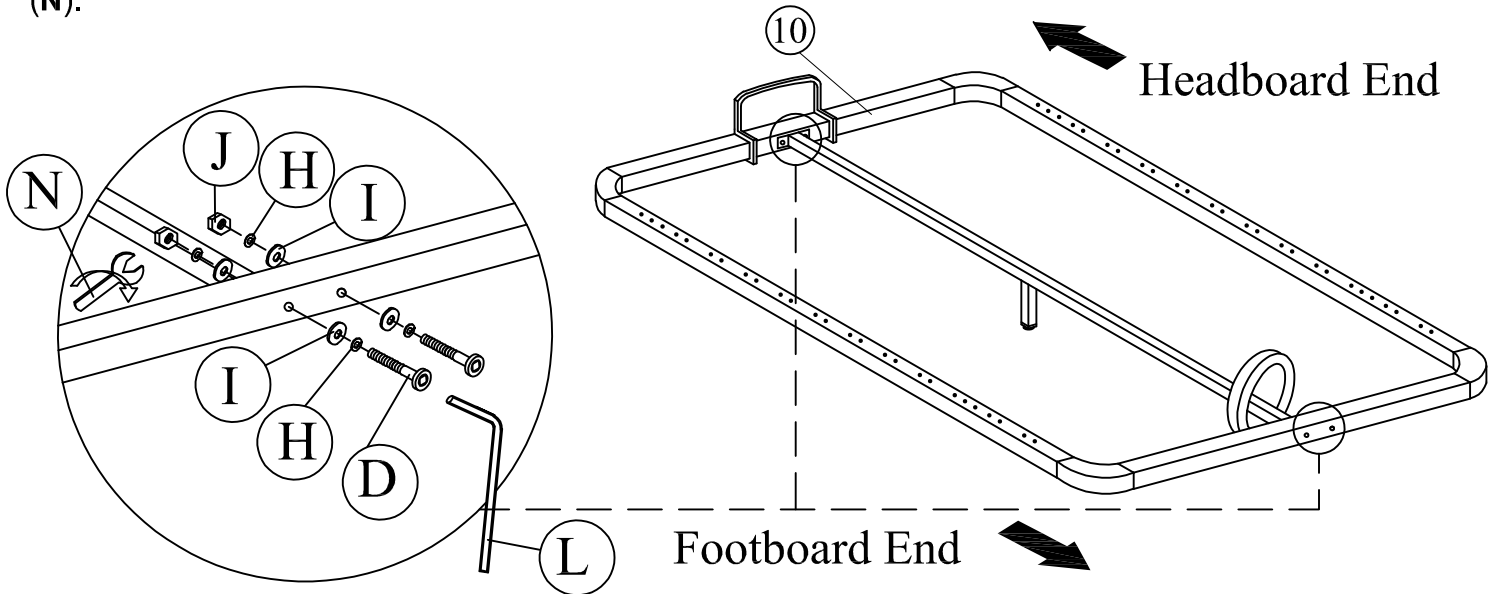
Step 11

Tighten the 1x Support Leg (15) to 1x Center Rail (12) using 2x M6 x 50mm (C), 2x M6 Spring Washer (E), 2x M6 Flat Washer (F) using 1x Allen Key M4 (K), after that attach 2x M6 Spring Washer (E), 2x M6 Flat Washer (F) then insert 2x M6 Hex Nut (G) using 1x M6 Spanner (M). Then, screw 1x Adjuster (P) to Support Leg (15). Insert 1x Frame Lifter (O) to 1x Center Rail (12).



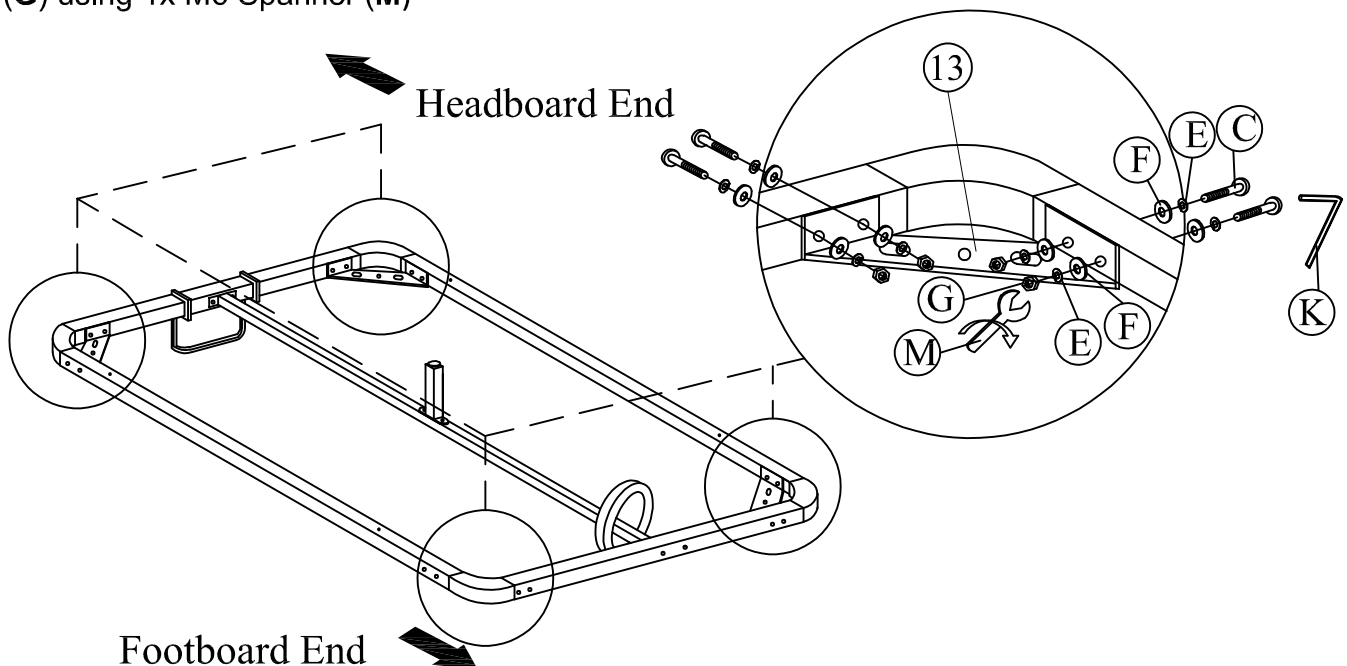
Step 12

Tighten 2x Main Frame (Front/End) (10) to 1x Center Rail (12) using 4x JCBB M8 x 50mm (D), 4x M8 Spring Washer Black (H) and 4x M8 Flat Washer Black (I) use 1x Allen Key (L). Then tighten it with 4x M8 Hex Nut (J), 4x M8 Spring Washer Black (H) and 4x M8 Flat Washer Black (I) use 1x M8 Spanner (N).



Step 13

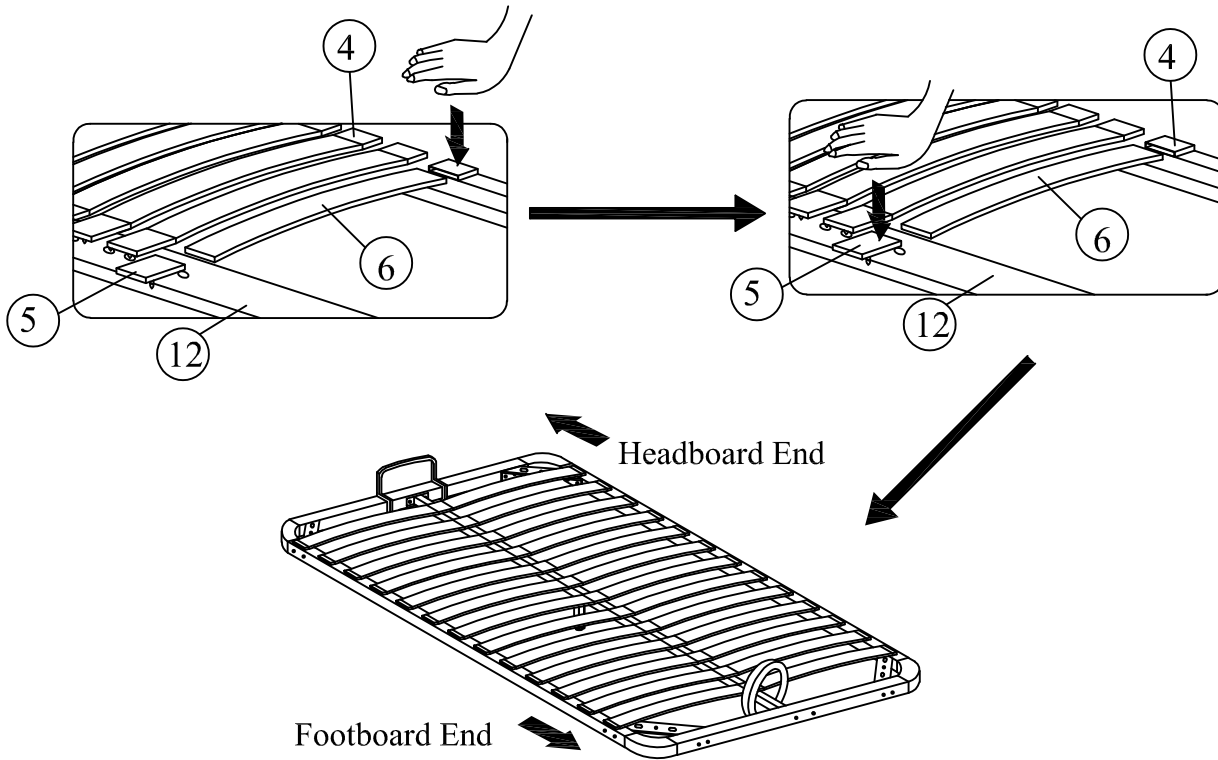
Tighten 4x Metal Corner Bracket (13) to 2x Main Frame (Front/End) (10), 2x Main Frame Side (11) using 16x JCBC M6 x 50mm (C), 16x M6 Spring Washer (E), 16x M6 Flat Washer (F) using 1x Allen Key M4 (K). After that attach 16x M6 Spring Washer (E), 16x M6 Flat Washer (F) then insert 16x M6 Hex Nut (G) using 1x M6 Spanner (M).



DO NOT use any power tools as this may damage the frame and will invalidate any claim.

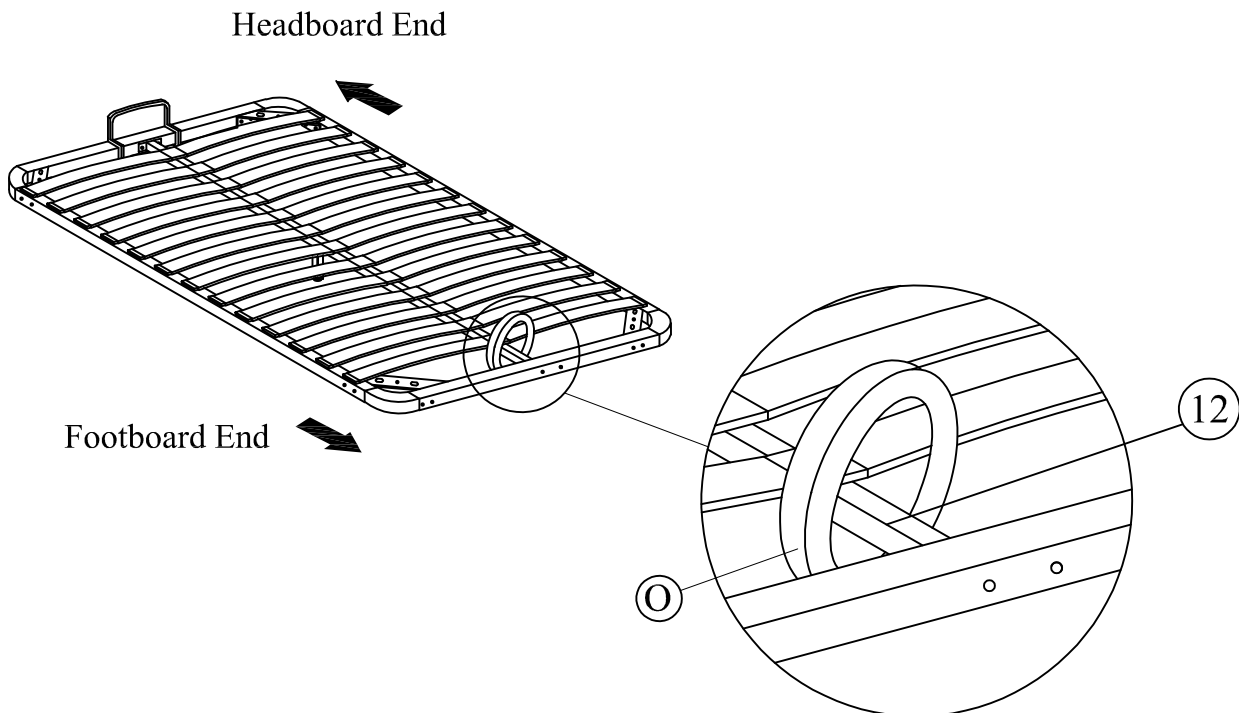
Step 14

Assemble the 26x Slats (6), 26x End Holder (4), 13x Middle Holder (5) to 2x Main Frame Side (11) and 1x Center Rail (12).



Step 15

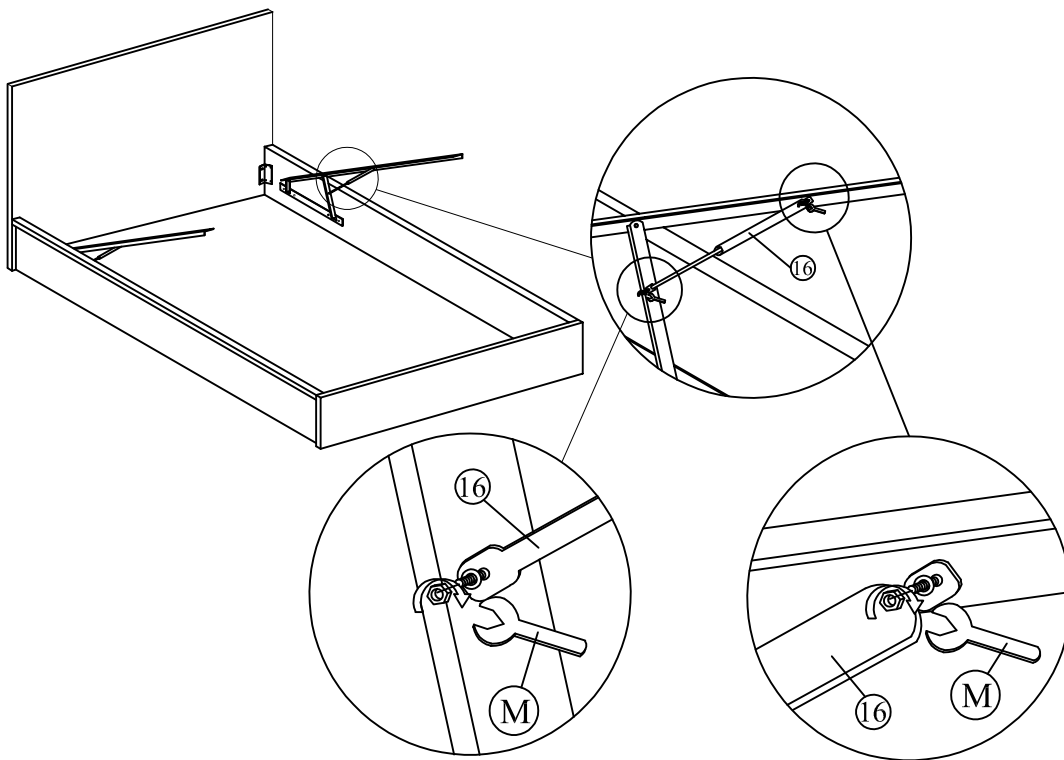
Make Sure 1x Frame Lifter (O) on footboard end.



DO NOT use any power tools as this may damage the frame and will invalidate any claim.

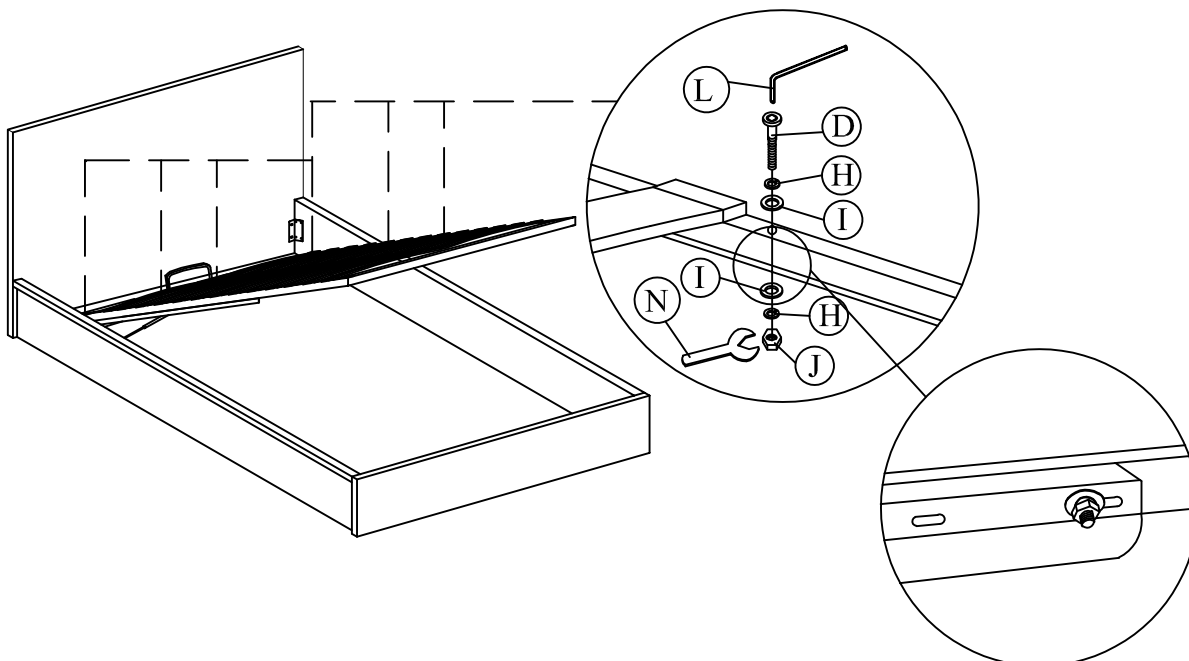
Step 16

Assemble the 2x Gas Spring (16) to 2x Pump Mounting Bracket (7) using 1x M6 Spanner (M).



Step 17

Tighten the frame to 2x Pump Mounting Bracket (7) using 6x JCBB M8 x 50mm (D), 6x M8 Spring Washer Black (H) and 6x M8 Flat Washer Black (I). Then tighten it 6x with M8 Hex Nut (J), 6x M8 Spring Washer Black (H) and 6x M8 Flat Washer Black (I) use 1x M8 Spanner (N).

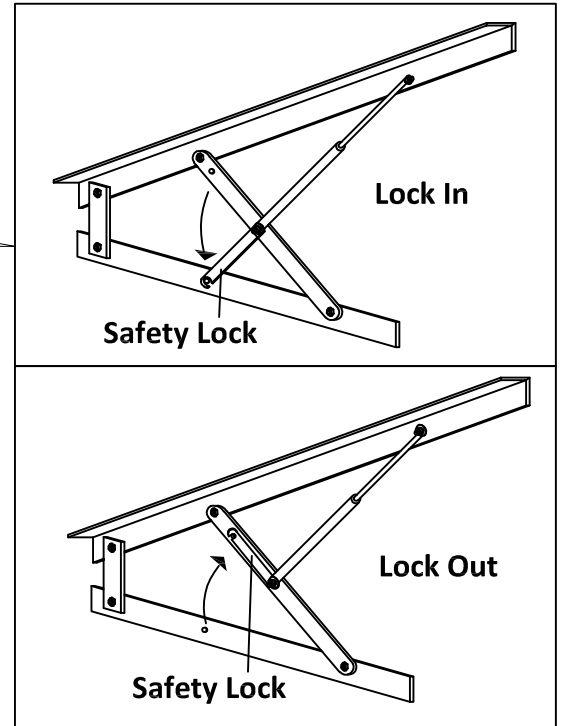
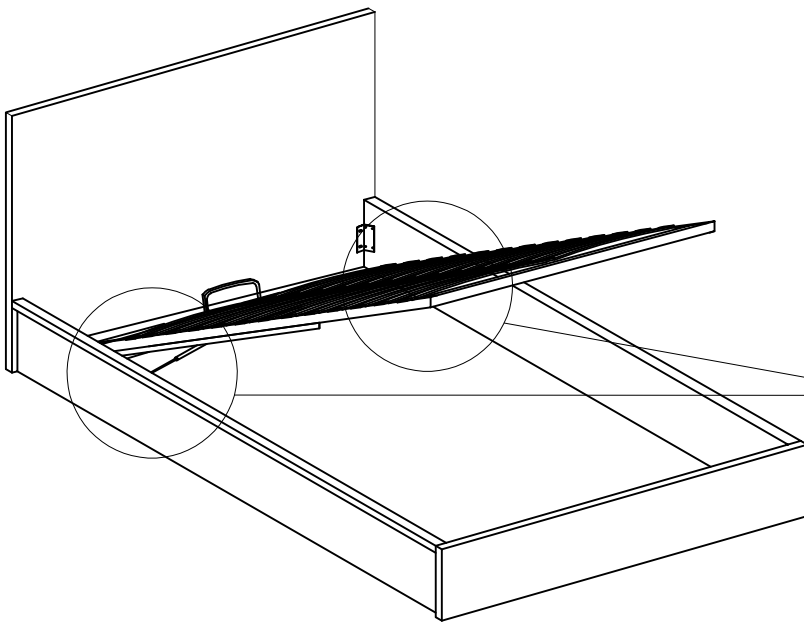


Caution: Tighten the screw at the position of the long hole as shown!

DO NOT use any power tools as this may damage the frame and will invalidate any claim.

Step 18

Please use the safety lock for safety purpose.



DO NOT use any power tools as this may damage the frame and will invalidate any claim.

Additional Information:

- Caution. This bed uses a pressurised mechanism.
- Use caution when operating - Always use two hands at arm's length, and only where illustrated on the product.
- You must ensure the mattress is on the bed frame before lifting the mechanism - Failure to do so may result in injury.
- Please ensure Children and pets are kept away from the bed when operating the bed mechanism.
- If removing the mattress, make sure that the frame is secured as it could flip open.
- Only use the storage compartment when the frame is fully raised in the 'up' position.
- No children and animals are left unattended when the frame is in the 'up' position.
- Do not remain on the bed whilst the lifting mechanism is in use.
- Beware of Entrapment - Keep both hands clear of mechanism when operating the mechanism.
- When lifting the bed remove all bedding - Except the fitted sheet.



Important for Ottoman and other gas lift beds

Please follow these final steps to ensure the best experience with your new bed

- Please ensure the pistons are fitted to the bed frame.
- Please place the mattress on top of the bed frame.
- Standing at the foot of the frame (looking at the headboard) open the base and the press quite forcefully down on the mattress - please do not attempt to do this without the mattress being in place.
- Please do not pull on the strap handles.
- Please note as the pistons are full of gas - you will need to press heavily to release the compressed gas.
- Once done the pistons should start operating as normal.



Please dispose of all packaging safely.

General Care & Maintenance

Wipe clean with a slightly damp cloth.
Avoid the use of all household cleaners and abrasives.

Periodically check all screw & fixings to ensure they are secure.

When moving your product, carefully lift into place. Never drag or push the product across the floor as this will cause damage to the joints. If the product is used on hard flooring, such as wood or laminated floor, you must place some protection under the legs to stop the product from moving. If this is not adhered to, it could result in failure to the product that will invalidate the warranty.

For more information on cleaning and product care visit:
<https://www.happybeds.co.uk/help-and-advice>

Notes

In the unlikely event that you have problems putting this product together or have damaged or missing parts, please contact us by visiting:
<https://www.happybeds.co.uk/customer-service>