

Assembly Instructions

Important before assembly:

Read these instructions carefully before assembling or using the product.

Please check the contents of the boxes before attempting to assemble this product. The instructions will have a checklist of parts and fittings.

Assemble the product as close to its intended final location/room as possible.

Health & Safety:

This product or some parts of this product will be heavy. Please use an assistant when lifting.

Please keep small parts out of reach of children.

Always use on a level, even surface.

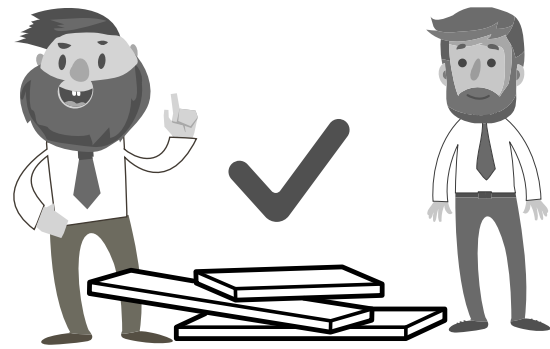
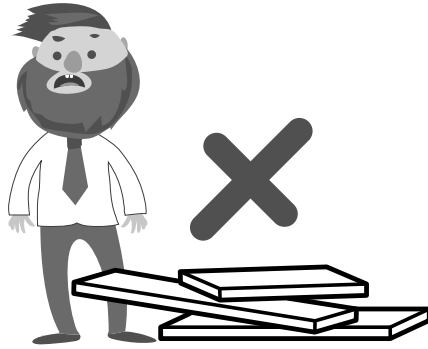
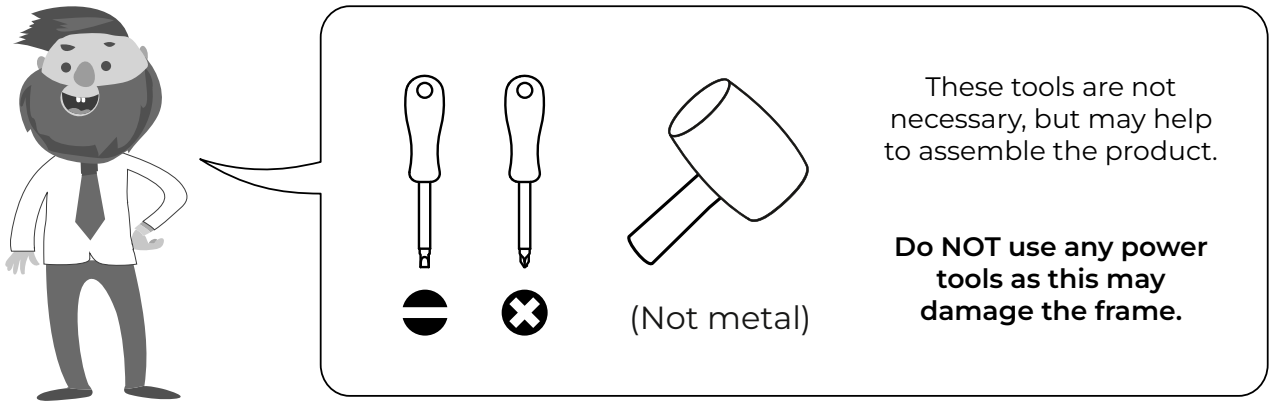
DO NOT jump on the product or any of its parts.

DO NOT use this product if any parts are missing, damaged or worn.

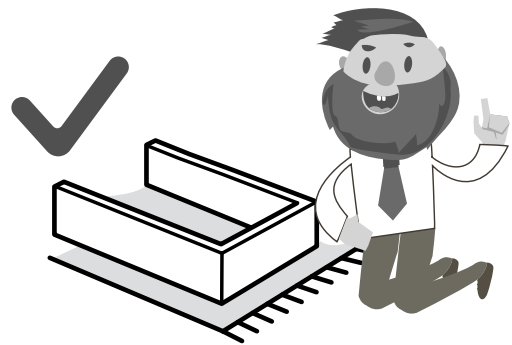
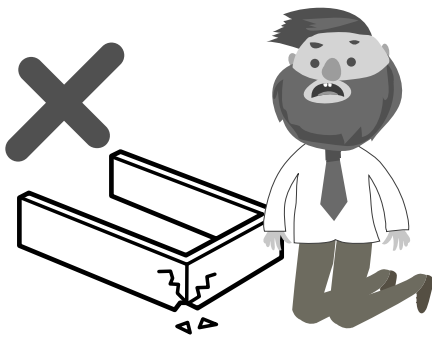
DO NOT use this product unless all fixings are secured.

Further instructions are on the following pages.

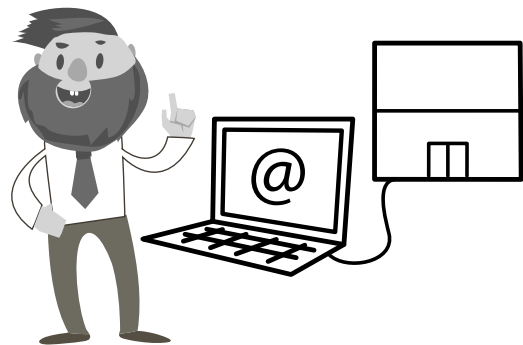
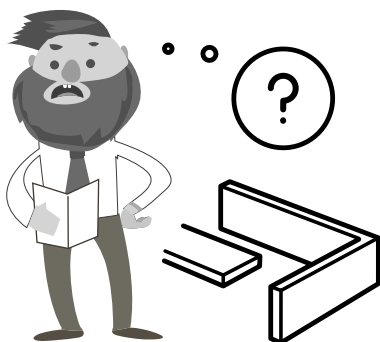
Please keep these instructions for future reference.



This product or some parts of this product will be heavy. Please use an assistant when lifting.



Never drag or push the pieces across a hard or stone floor as this will cause damage to the joints. Use a carpet or a rug for extra care.



If you have problems assembling or have damaged or missing pieces, please contact our customer services (details at the back of these instructions)

Please check all hardware matches the list below. Should you notice any are missing please contact your retailer.

(A)



Cam Stud
64PCS

(B)



Cam
64PCS

(C)



M8 x 25mm
104PCS

(D)



M4 x 45mm
8PCS

(E)



M4 x 38mm
16PCS

(F)



M3.5 x 14mm
36PCS

(H)



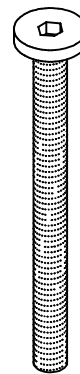
M6 x 13mm
6PCS

(K)



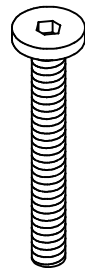
M4 x 20mm
6PCS

(L)



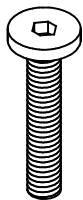
M6 x 70mm
8PCS

(M)



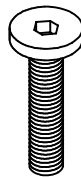
M6 x 50mm
10PCS

(N)



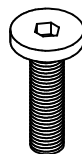
M6 x 35mm
19PCS

(P)



M6 x 30mm
33PCS

(Q)



M6 x 25mm
21PCS

(R)



M6 x 12mm
2PCS

(S)



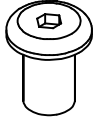
M6 Round Nut
12PCS

We strongly advise that you do not use Power Tools, such as drills or electric screwdrivers during the assembly as this may cause irreparable damage and will invalidate your warranty.



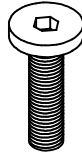
Please check all hardware matches the list below. Should you notice any are missing please contact your retailer.

(T)



M6
8PCS

(V)



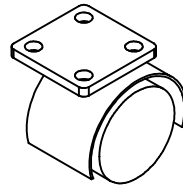
M6 x 25mm
2PCS

(W)



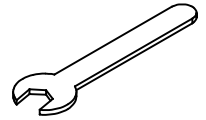
M6 Cap Nut
2PCS

(X)



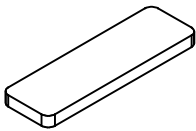
Caster
4PCS

(Y)



Spanner
1PCS

(Z)



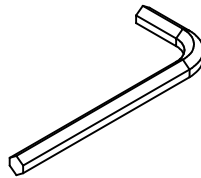
Felt Pads
20PCS

(Z1)



Sticker
21PCS

(Z2)



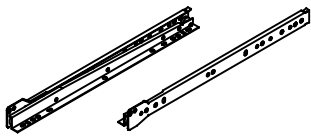
M4
2PCS

(Z3)



Hole Plug 10mm
2PCS

(G)



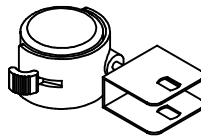
14" Drawer Slide
2 SET

(J)



Handle
3PCS

(U)



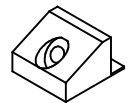
Caster
2PCS

(Z4)



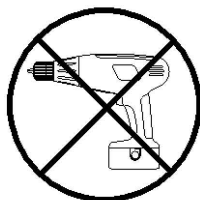
M4 x 22mm
4PCS

(Z5)

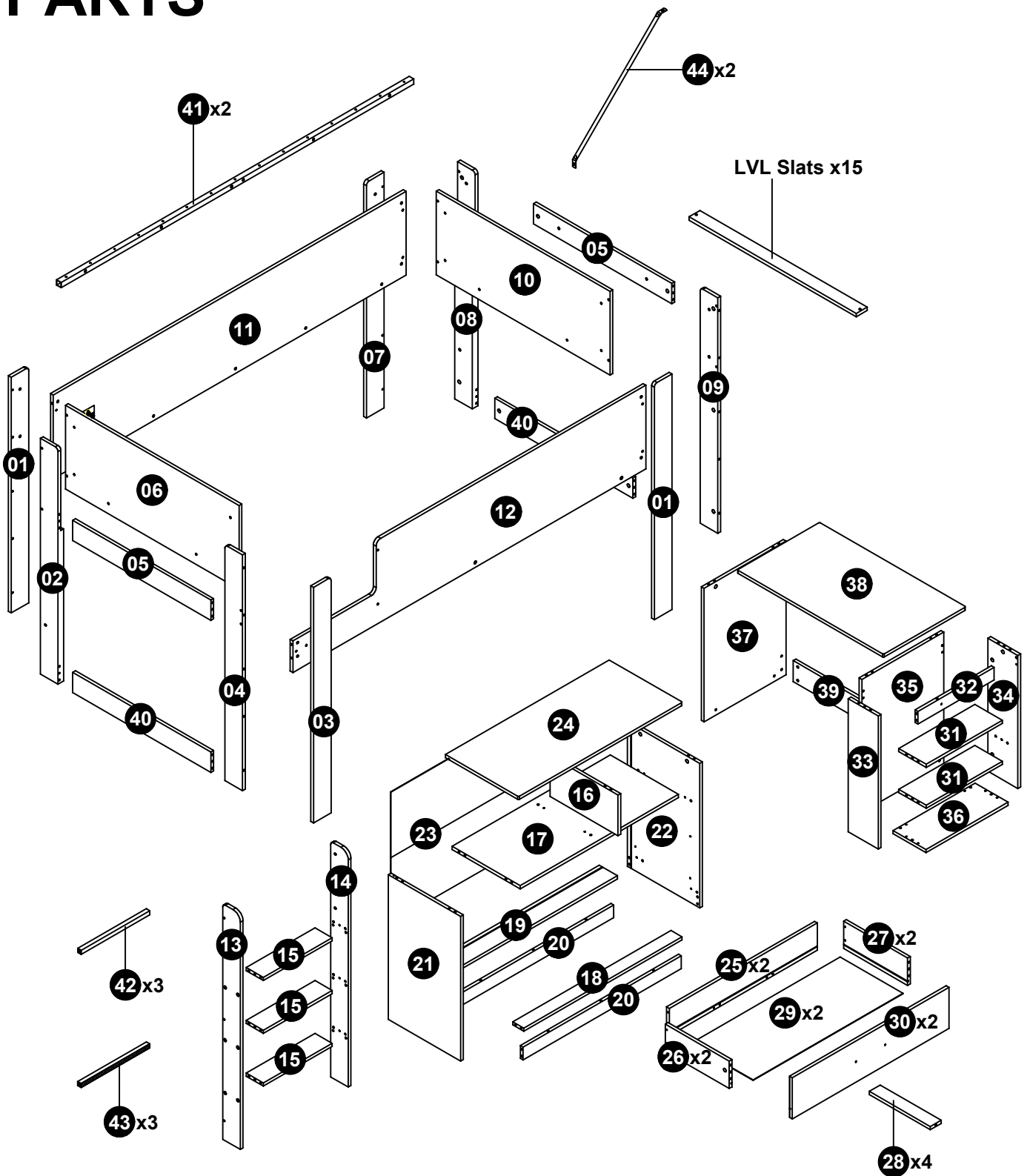


PVC Back Support
4PCS

We strongly advise that you do not use Power Tools, such as drills or electric screwdrivers during the assembly as this may cause irreparable damage and will invalidate your warranty.



PARTS



Please ensure you carefully check all the pieces, should you have any concerns please contact the retailer before assembly commences.

Please have your order number, details of the issue, the product code, and the batch number from the cartons as this will help us to resolve your issue much faster.

IMPORTANT INFORMATION

WARNING - High Beds and the upper bed of bunk beds are not suitable for children under six years due to the risk of injury from falls.

WARNING - Bunk beds and high beds can present a serious risk of injury from strangulation if not used correctly. Never attach or hang items to any part of the bunk bed that are not designed to be used with the bed, for example, but not limited to ropes, st rings, cords, hooks, belts and bags.

WARNING - Children can become trapped between the bed and the wall, a roof pitch, the ceiling, adjoining pieces of furniture (e.g.cupboards) and the like. To avoid risk of serious injury the distance between the top safety barrier and the adjoining structure shall not exceed 75mm or shall be more than 230mm.

WARNING - Do not use the bunk bed / high bed if any structural part is broken or missing. It is recommended that you always follow the manufacturer's instructions to assemble this product.

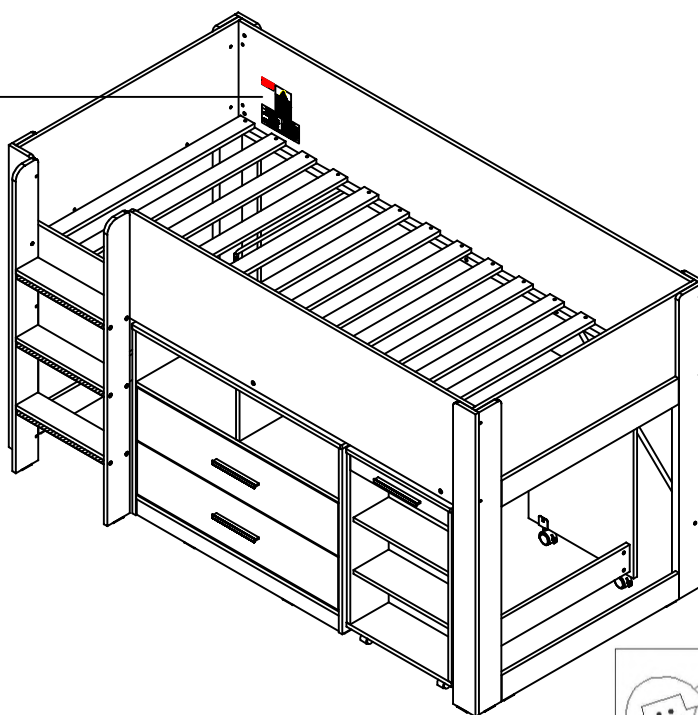
Always follow the manufacturer's recommended mattress size, as per these instructions and the bunk bed / high bed maximum mattress height marking on the item:

Recommended Mattress Size: 90cm x 190cm (UK Single) with Maximum Depth of 18.0cm

It is necessary to frequently ventilate the room in order to keep the humidity low and to prevent mold in and around the bed.

Please periodically check all the fixings of the item and re-tighten when necessary.

This item conforms to European Safety Standards - BS EN 747-1: 2012 + A1: 2015.



IMPORTANT SAFETY WARNING!
DO NOT PLACE THE MATTRESS ABOVE THE LINE MARKED ABOVE AND DO NOT REMOVE THIS LABEL


Warning

To help prevent serious or fatal injuries from entrapment or falls:

Strangulation Hazard - Never attach or hang items to any part of the bunk bed that are not designed for use with this bed, for example, but not limited to, hooks, belt, bags, ropes and clothing.

Never allow a child of under 6 years on upper bunk.

Use ladder for entering and leaving upper bunk.

Prohibit more than one person on upper bunk.

THIS LABEL IS NOT TO BE REMOVED	
<p>OTIS Mid Sleeper <small>Product Code - 070001 / 070002</small></p> <p>Distributed by: Julian Bowen Limited Bentick House, Park Lane Business Park, Kirkby-in-Ashfield, Notts, NG17 9LE</p> <p>Factory ID: Manufactured in Malaysia Date of Manufacture:</p>	<p style="text-align: center;">CERTIFICATION LABEL</p> <p>This bunk bed model has been tested by an independent laboratory and is in compliance with EN 747-1:2012 + A1:2015 - Standard Consumer Safety Specification For Bunk Beds & High Beds</p>
<p>WARNING: This upper bed is not suitable for children under six years</p>	



Safety Advice

Please take the time to carefully read through the whole of these instructions before you commence.

Keep these instructions for future reference.

Unpack, inspect and check off all of the contents.

Please dispose of all packaging safely.

Small component parts could choke a child if swallowed.

We strongly recommend that you keep children well away from the work area.

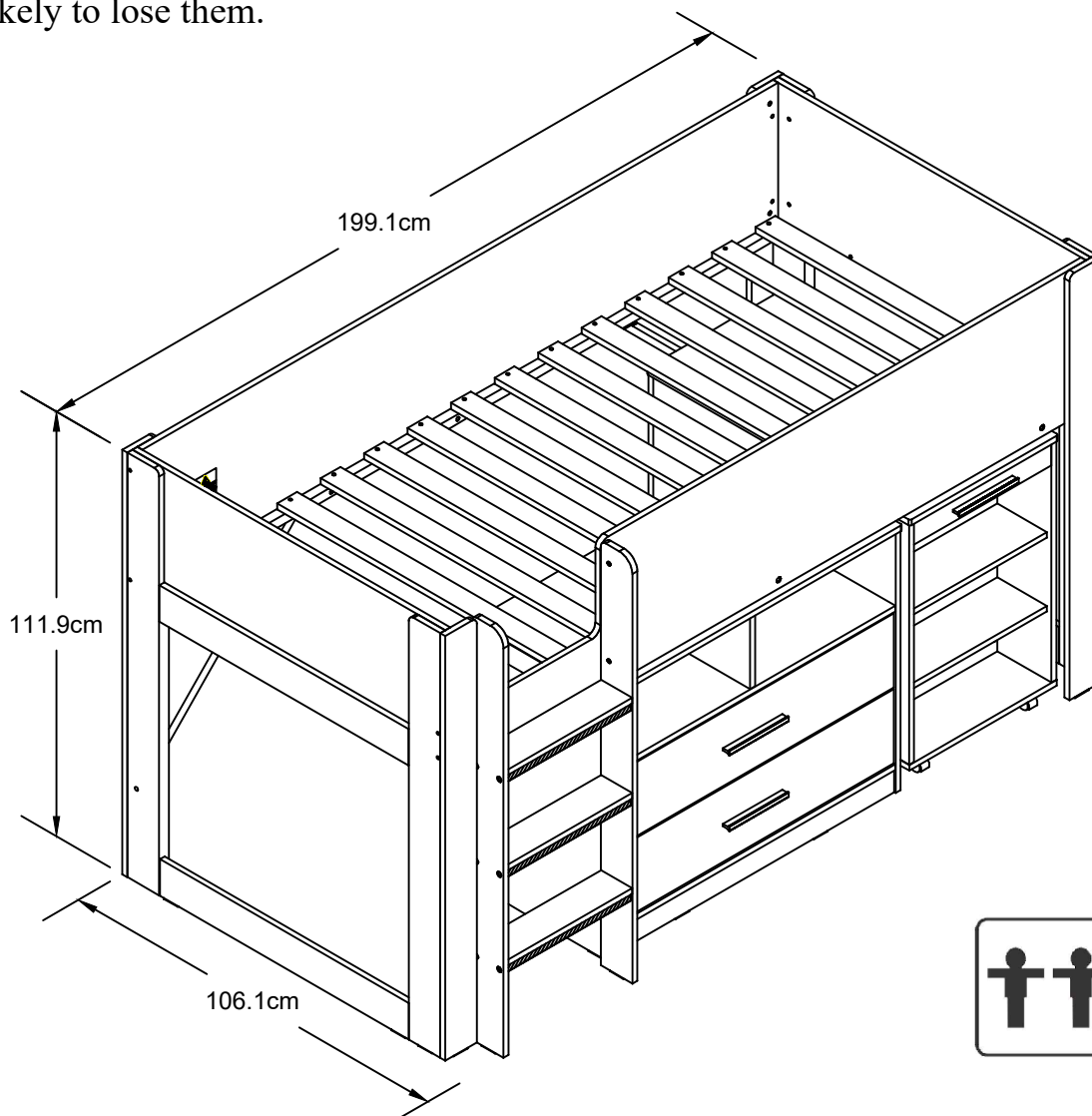
It would be sensible to lay a sheet or blanket on the floor where you intend to work to avoid scratching this product and to protect your floor.

This product is heavy. Take extreme care when lifting to avoid personal injury or damage to the product.

Assemble the product as close to its intended final position in the room as possible.

Please check the contents of boxes before attempting to assemble this product. A full checklist of parts and fittings is given in page 5 of this instruction leaflet.

HANDY HINT: If you keep the hardware in a bowl during assembly you will be less likely to lose them.



ASSEMBLY ADVICE

Please take the time to carefully read through these instructions before you commence.

Keep these instructions for future reference.

We advise that the product is assembled in the room it is intended for.

We advise that you keep the hardware in a bowl during assembly to avoid losing anything.

We strongly recommend that you keep children away from the work area.

Small component parts could choke a child if swallowed.

We recommend you use a sheet or blanket to protect both floor and product through the assembly stages.

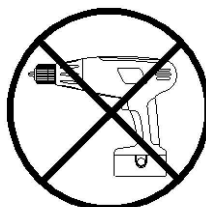
This product is heavy, and we recommend a 2 person lift to avoid personal injury or damage to the product.

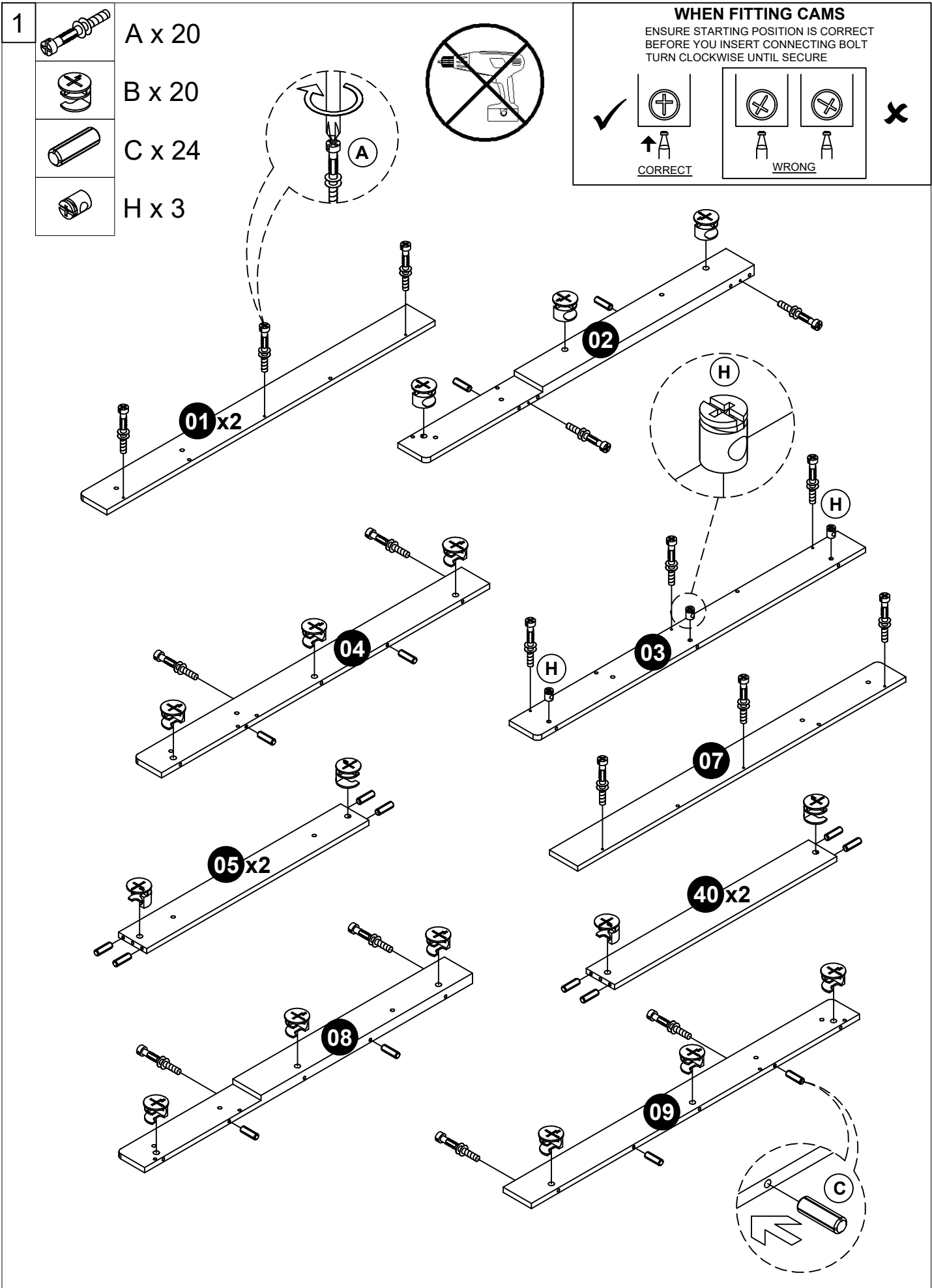
Never push or pull the product as this could cause both personal injury or irreparable damage to product or floor.

We have tried to make this piece of furniture easy to assemble if the instructions are followed carefully.

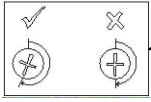
In the unlikely event that you have problems with assembling the product or have missing or damaged parts, please contact your retailer and we will assist them in rectifying the problem as quickly as possible.

Please remember we strongly urge you DO NOT use power tools such as drill or electric screwdrivers as this could cause irreparable damage to your product and will invalidate your warranty.

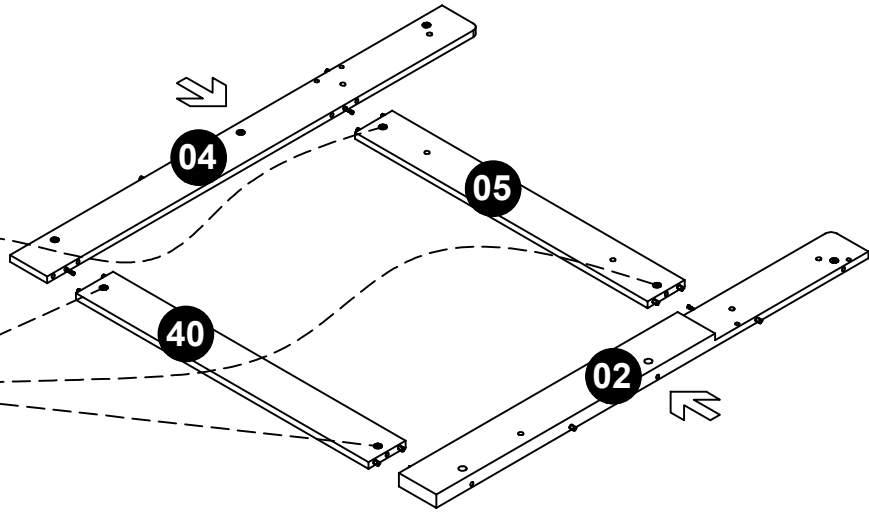




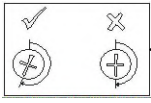
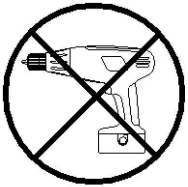
2



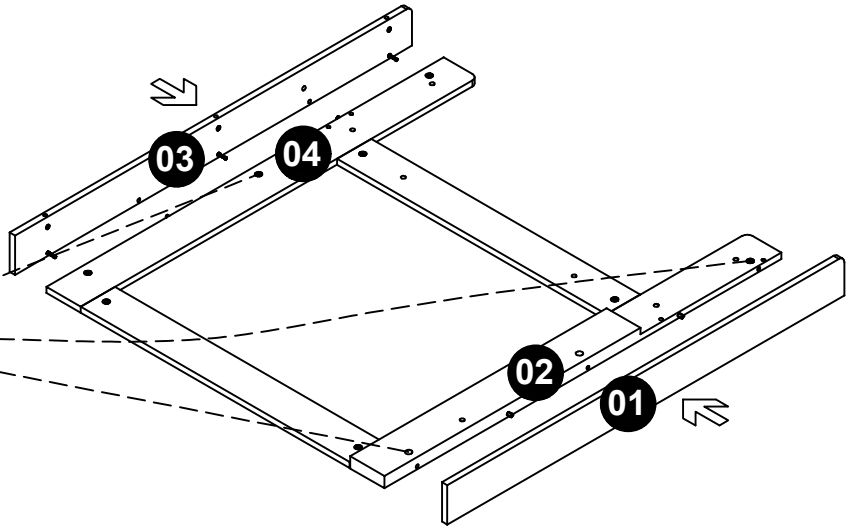
x 4



3



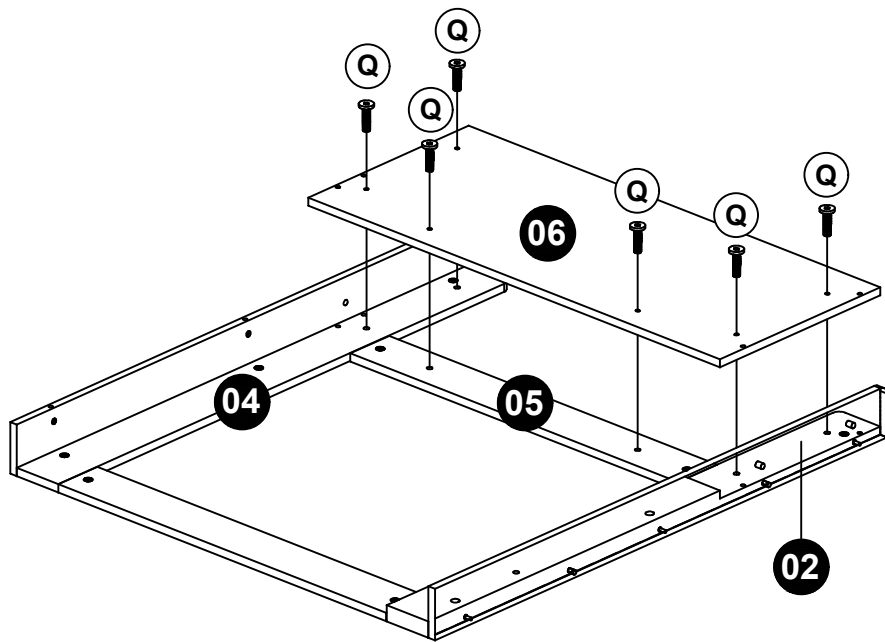
x 6



4



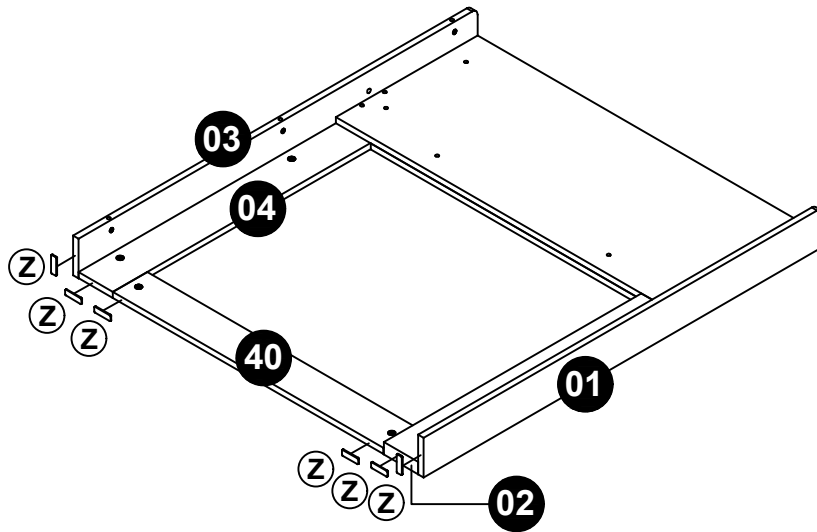
Q x 6



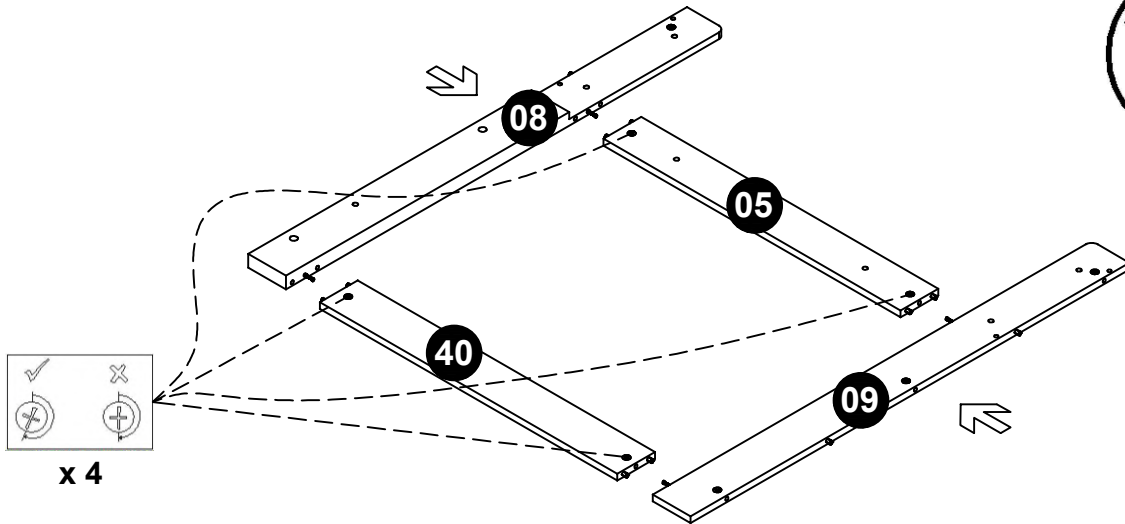
5



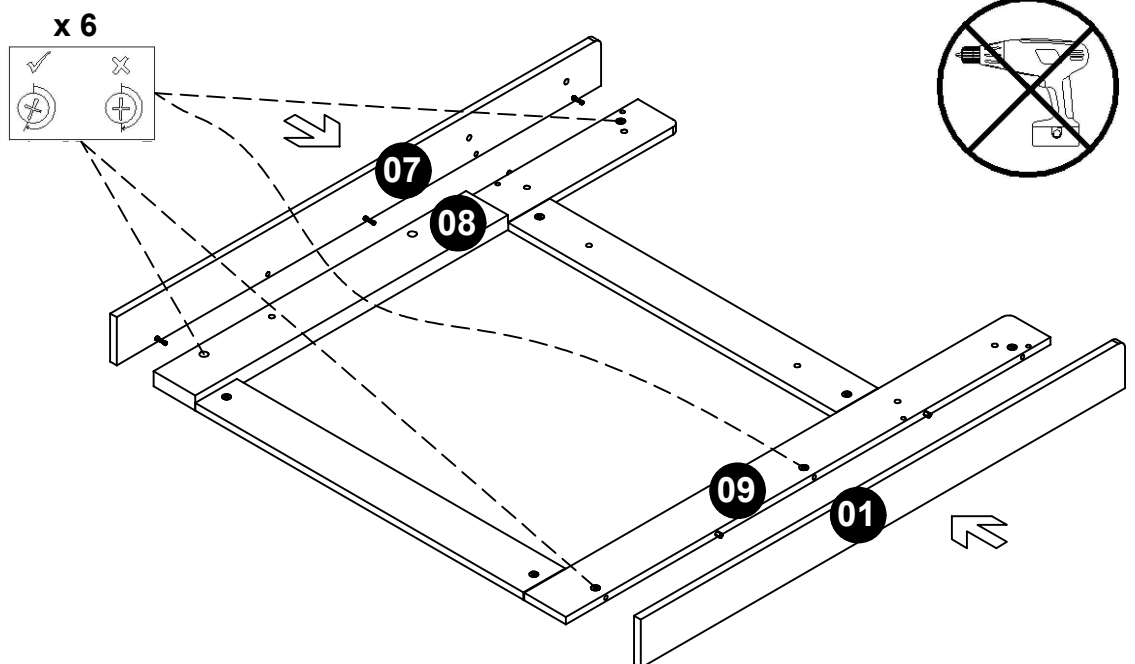
Z x 6



6



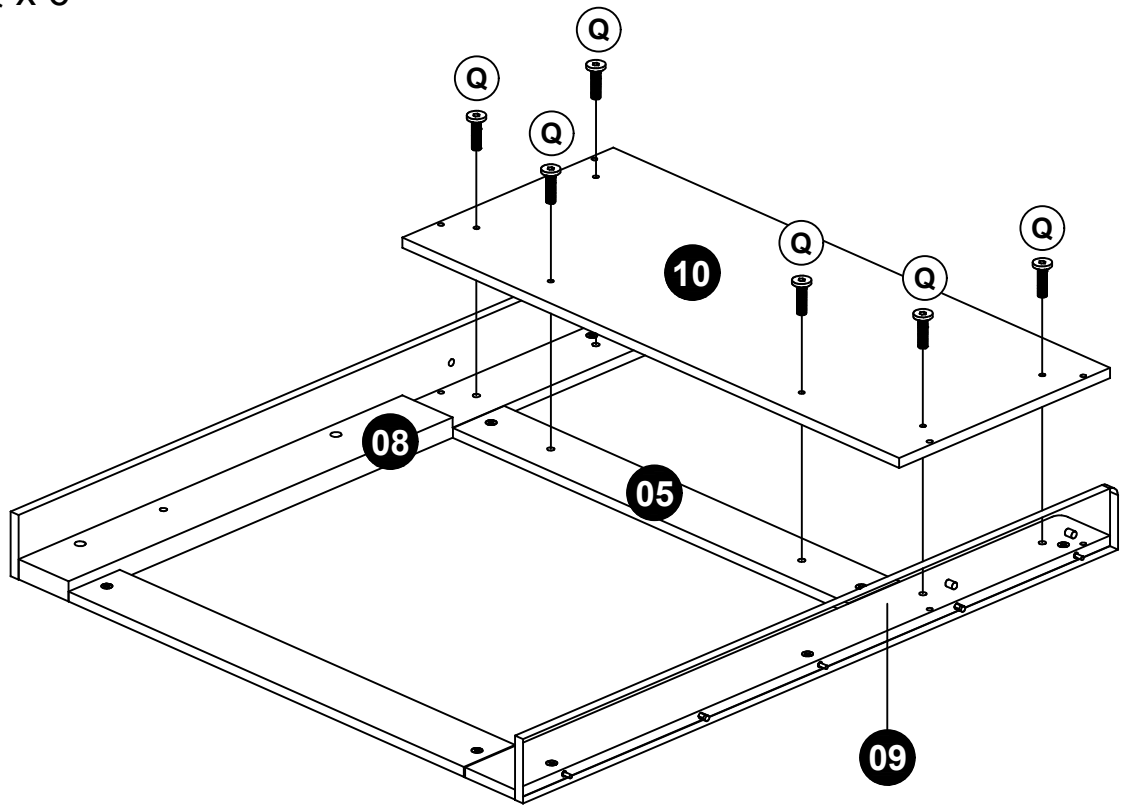
7



8



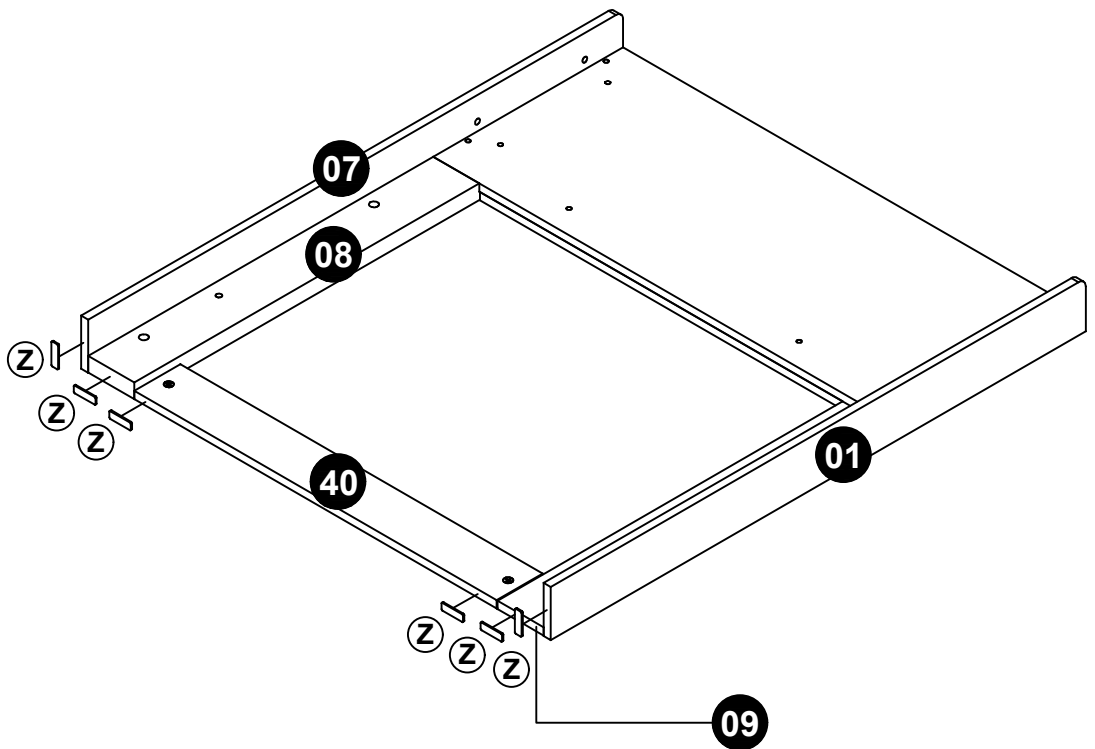
Q x 6

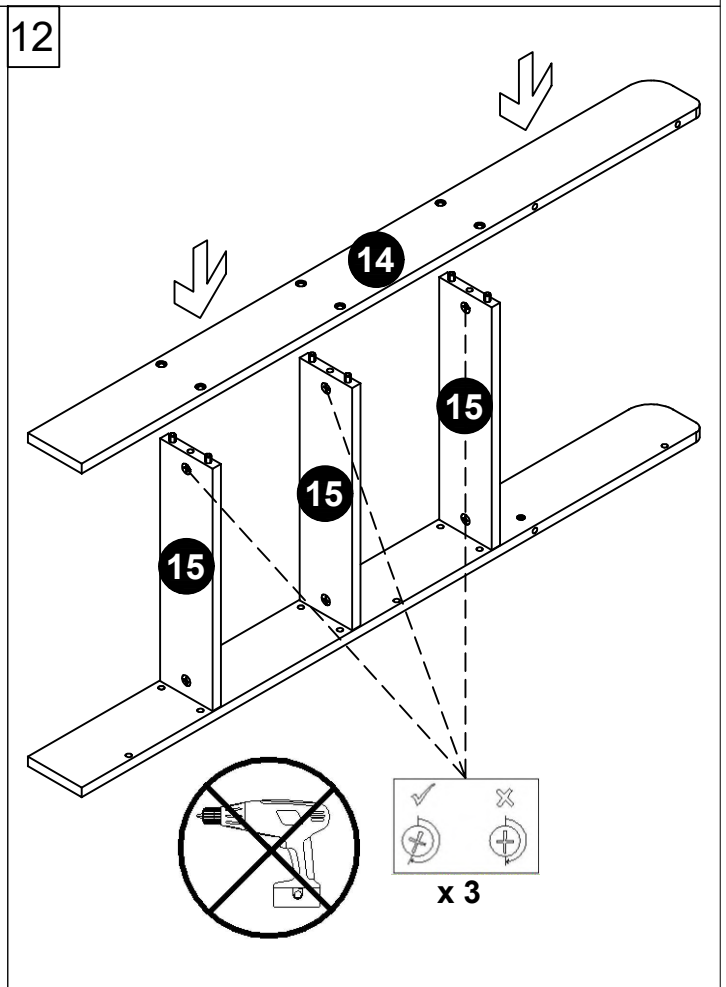
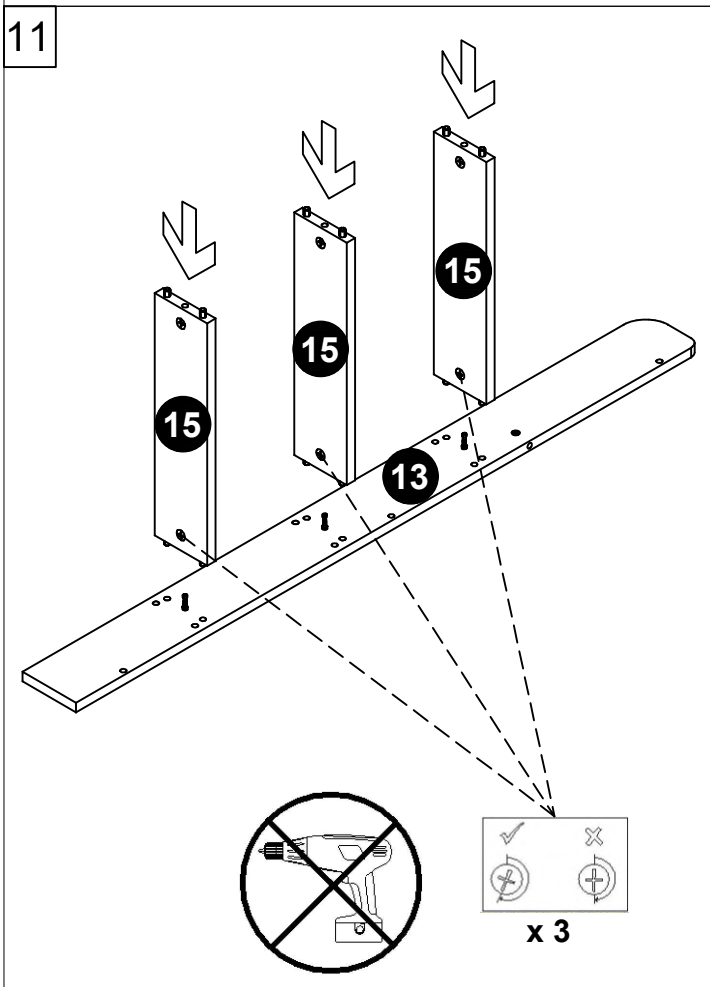
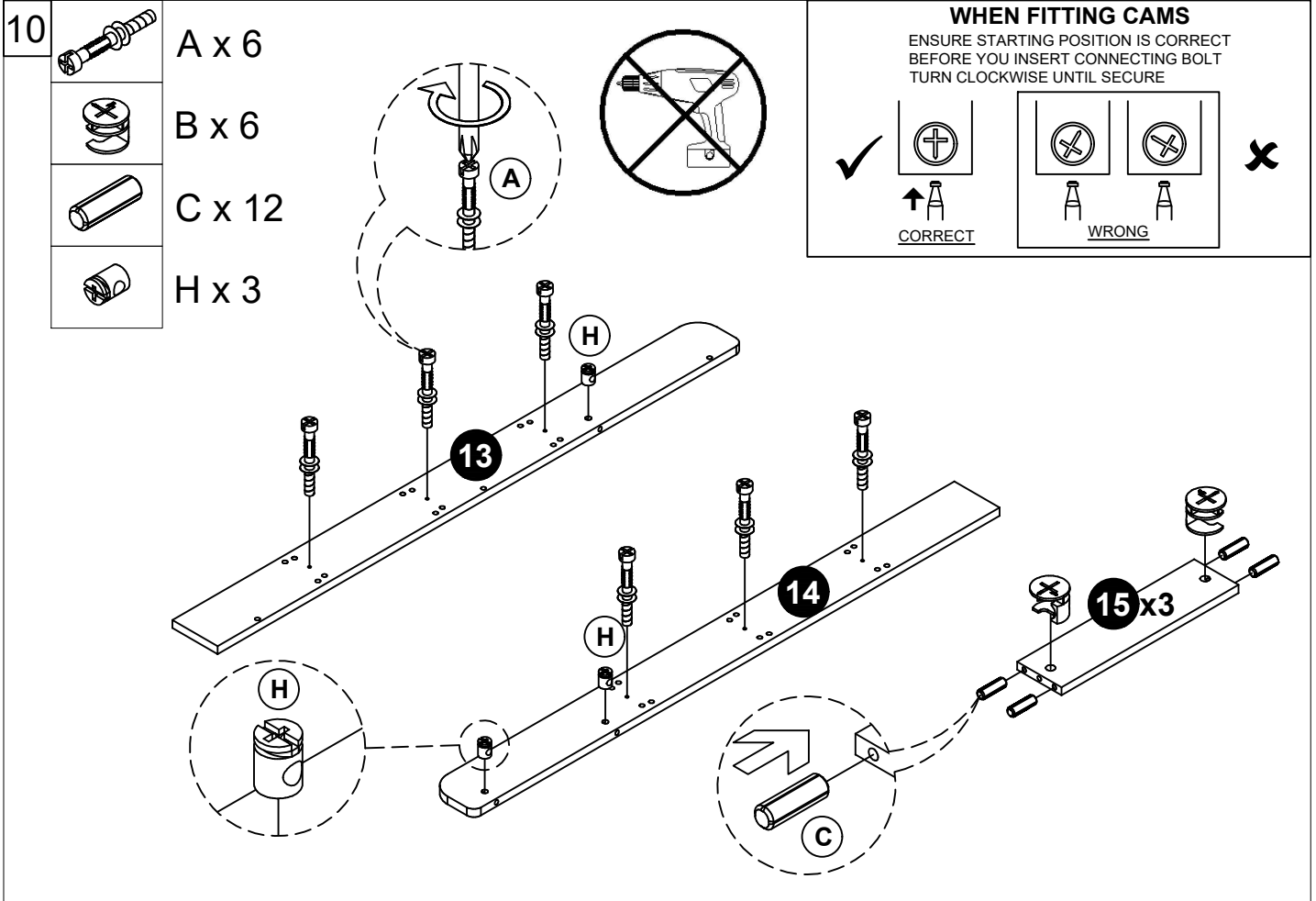


9

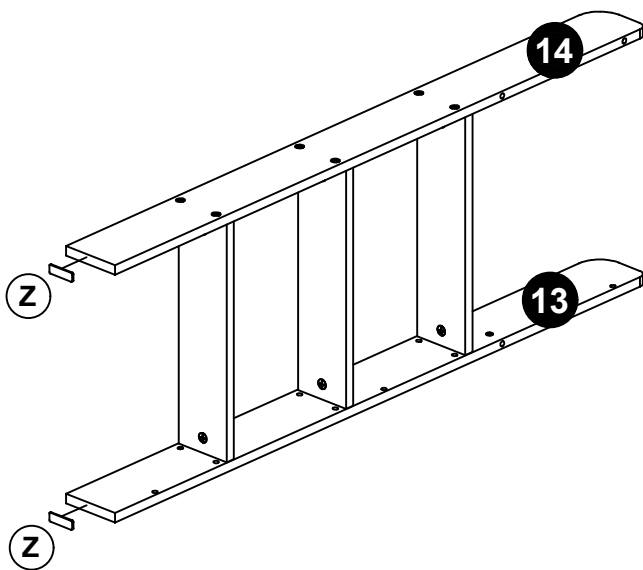


Z x 6

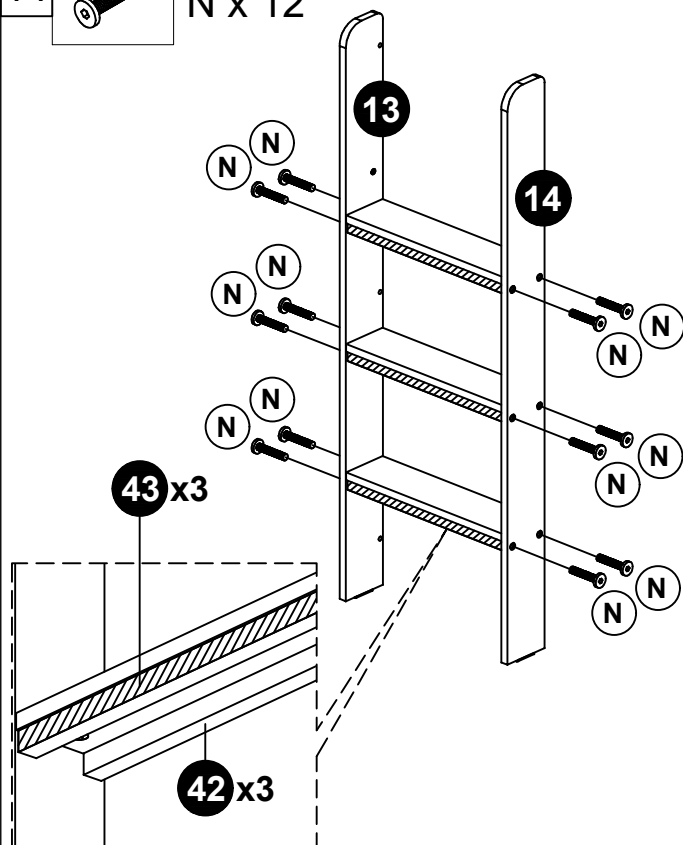




13 Z x 2



14 N x 12



15 N x 7



N x 7



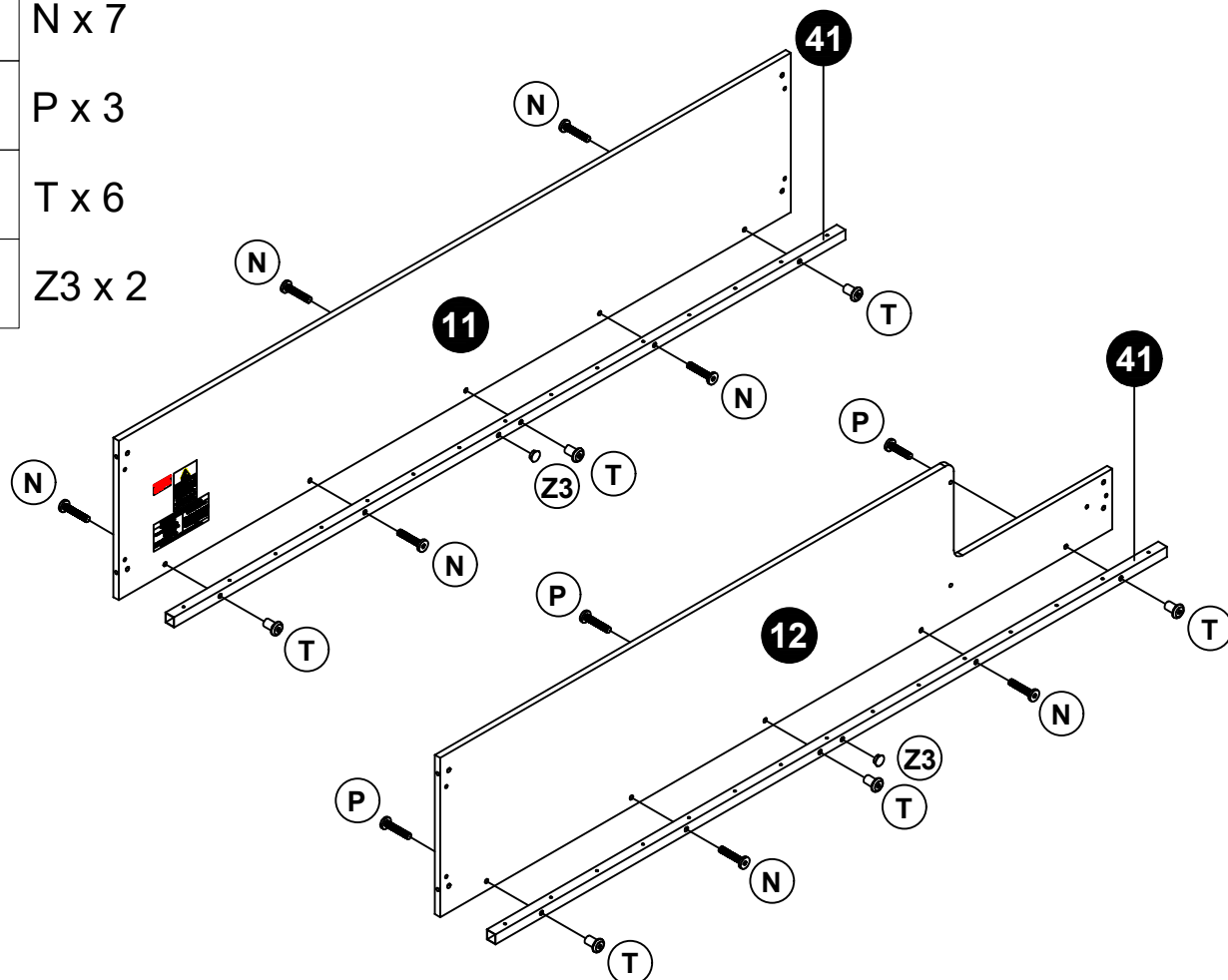
P x 3

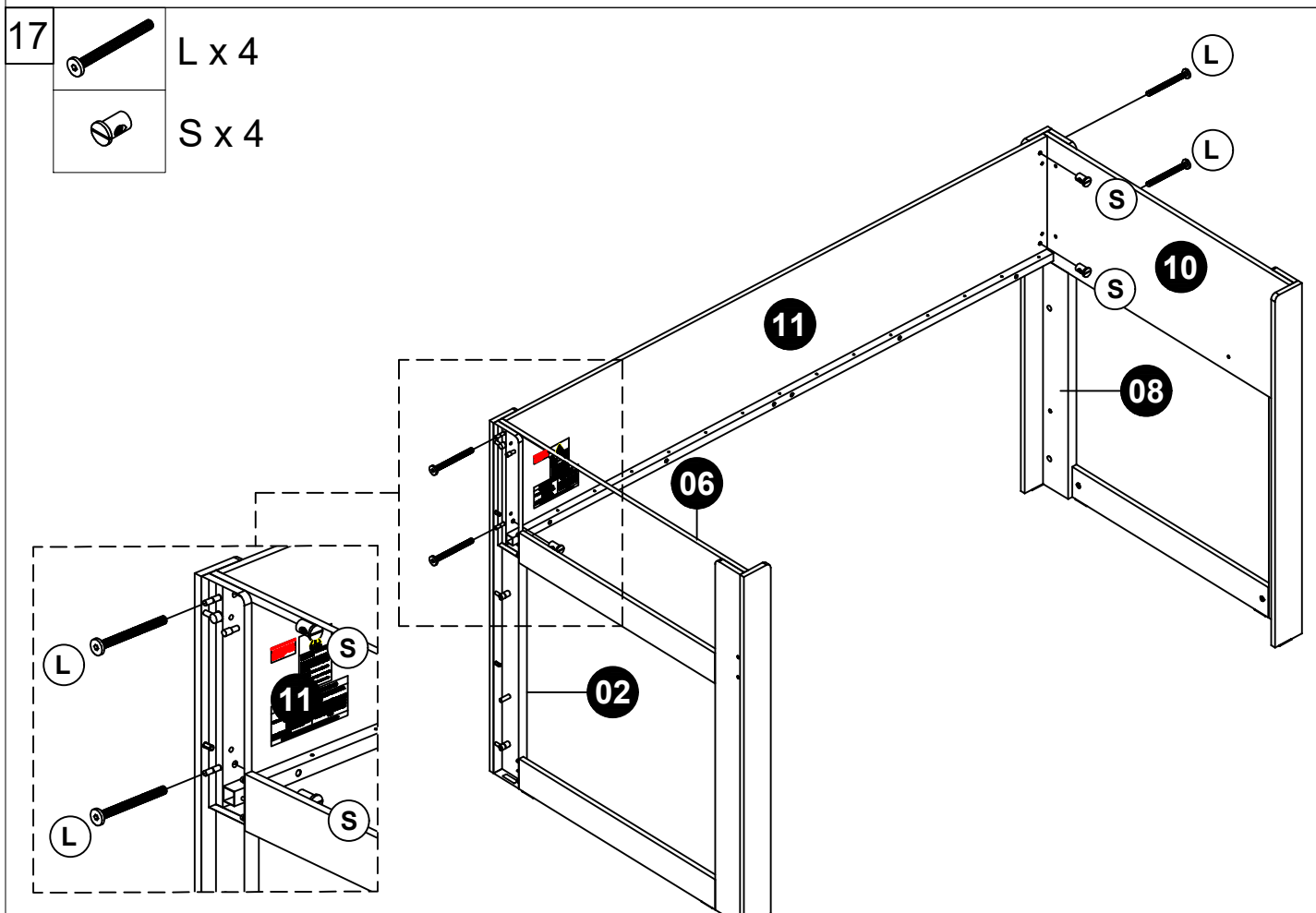
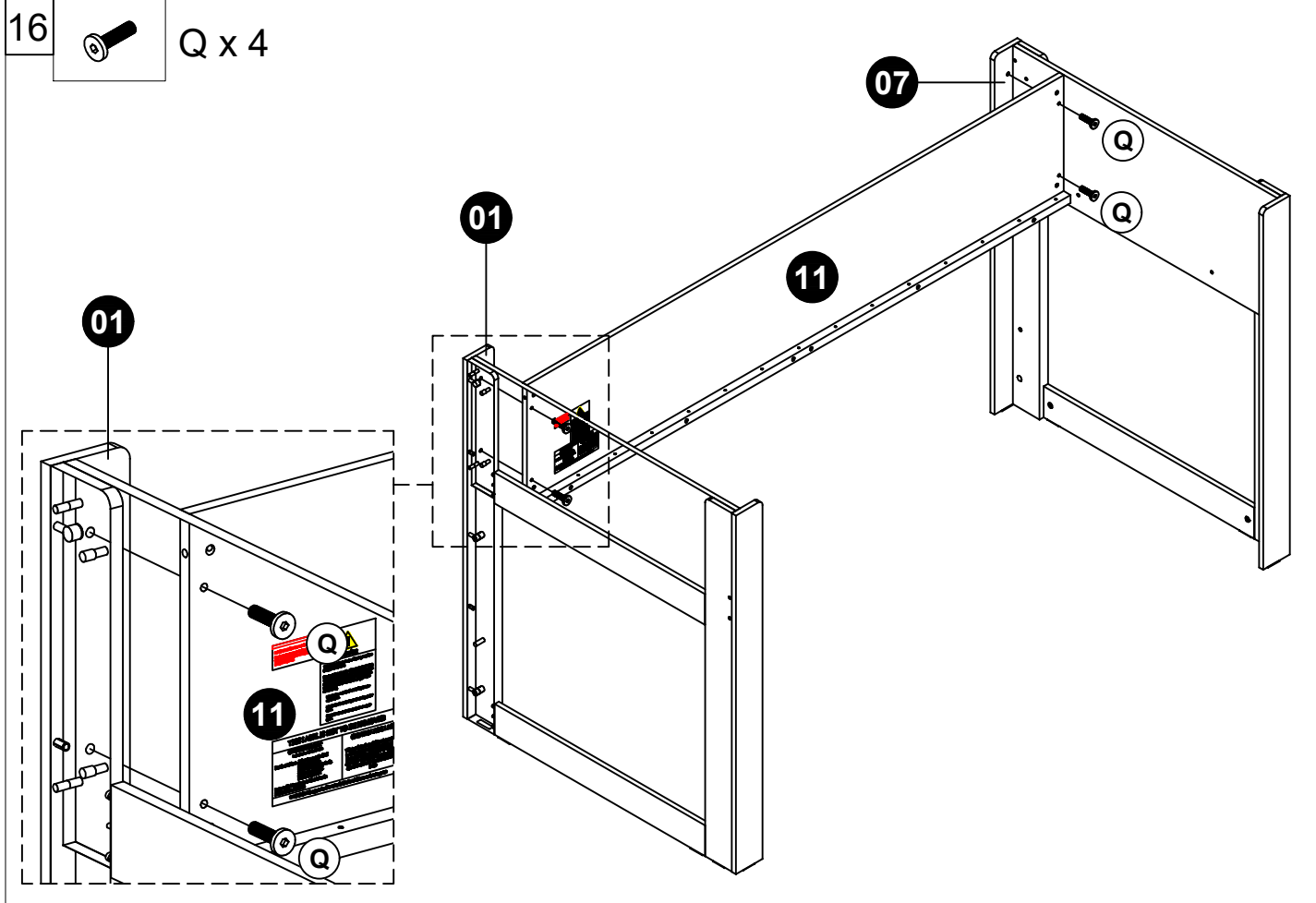


T x 6



Z3 x 2

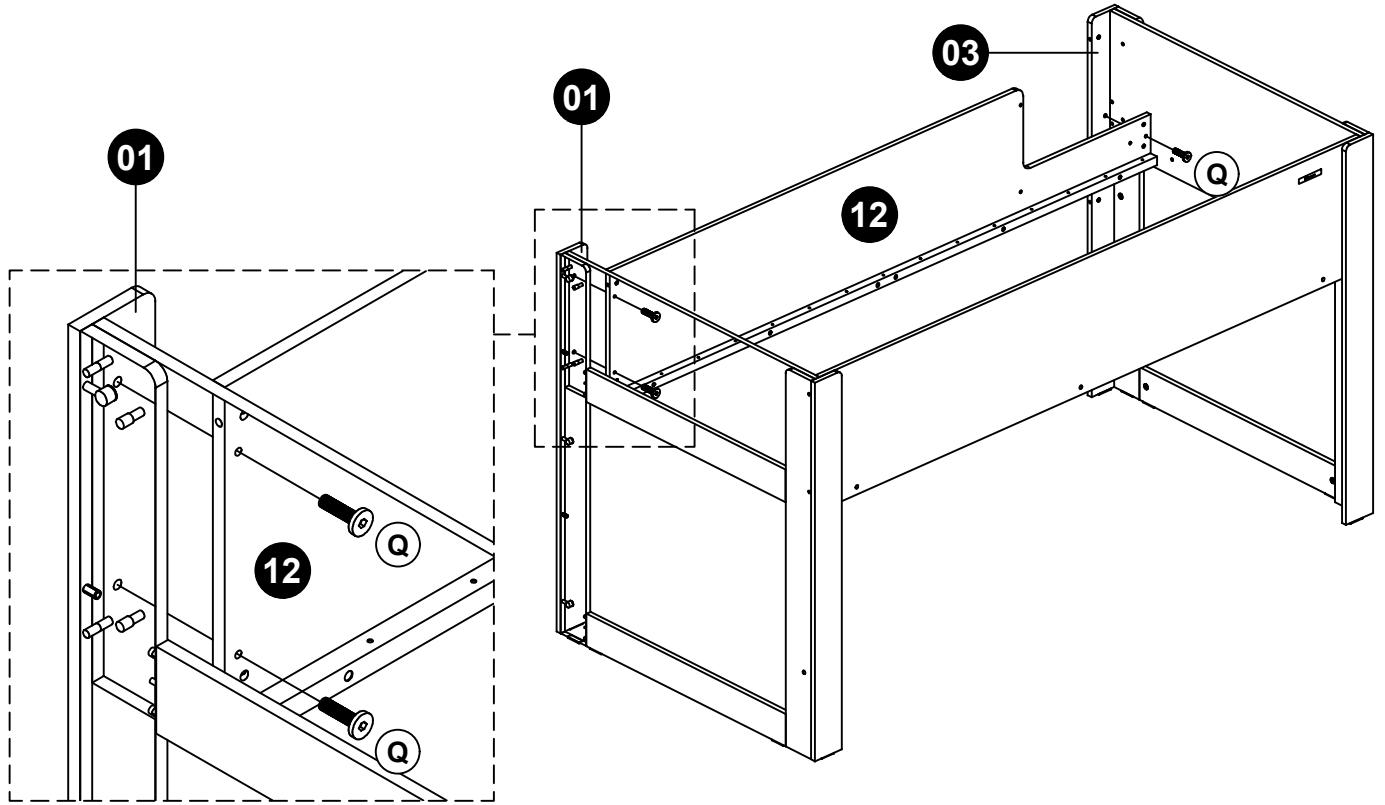




18



Q x 3



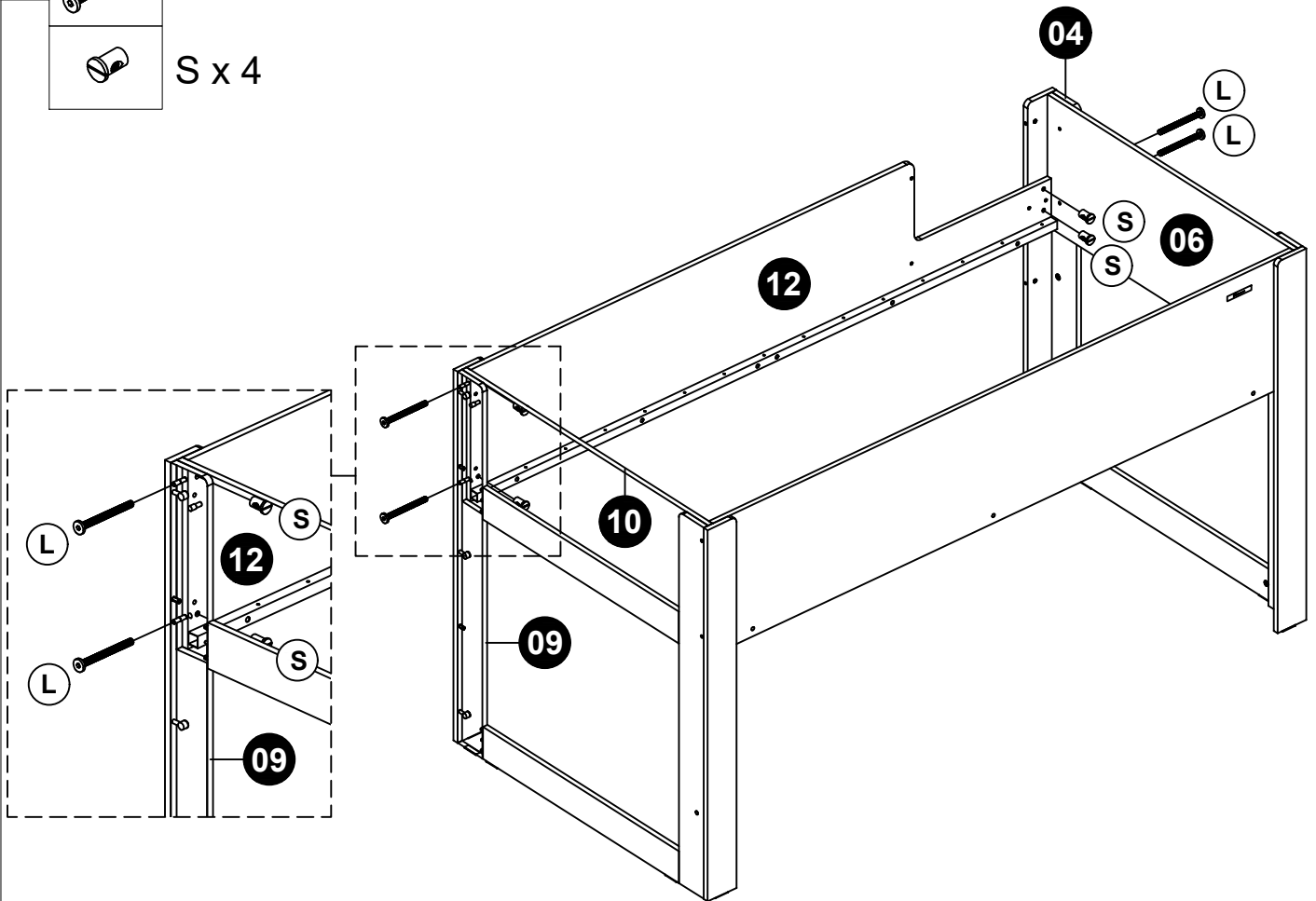
19



L x 4



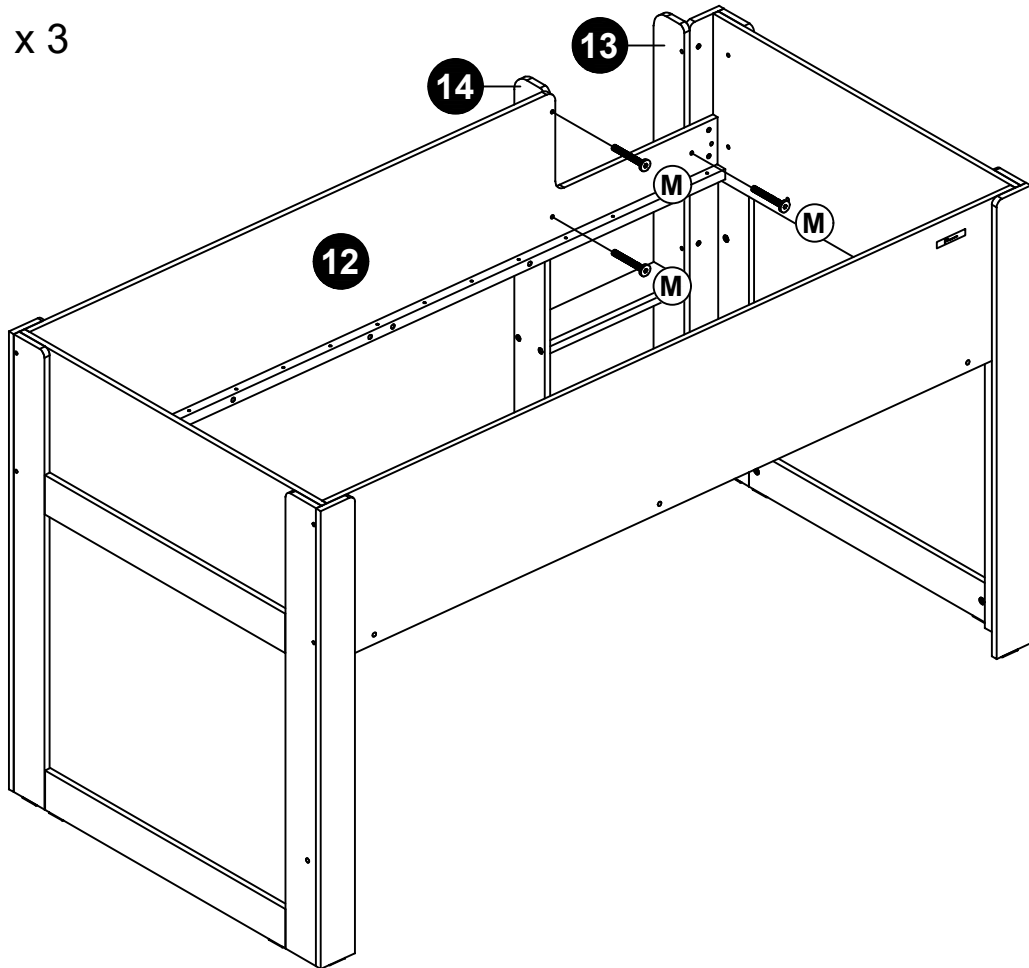
S x 4



20



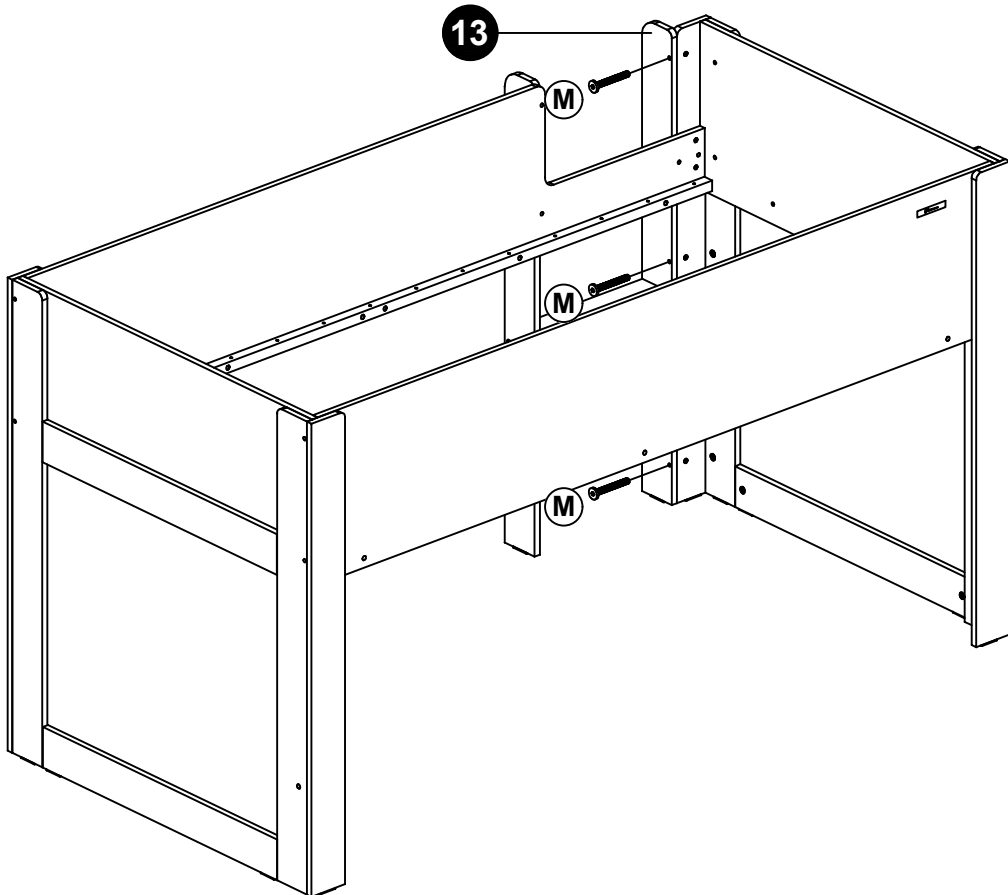
M x 3



21



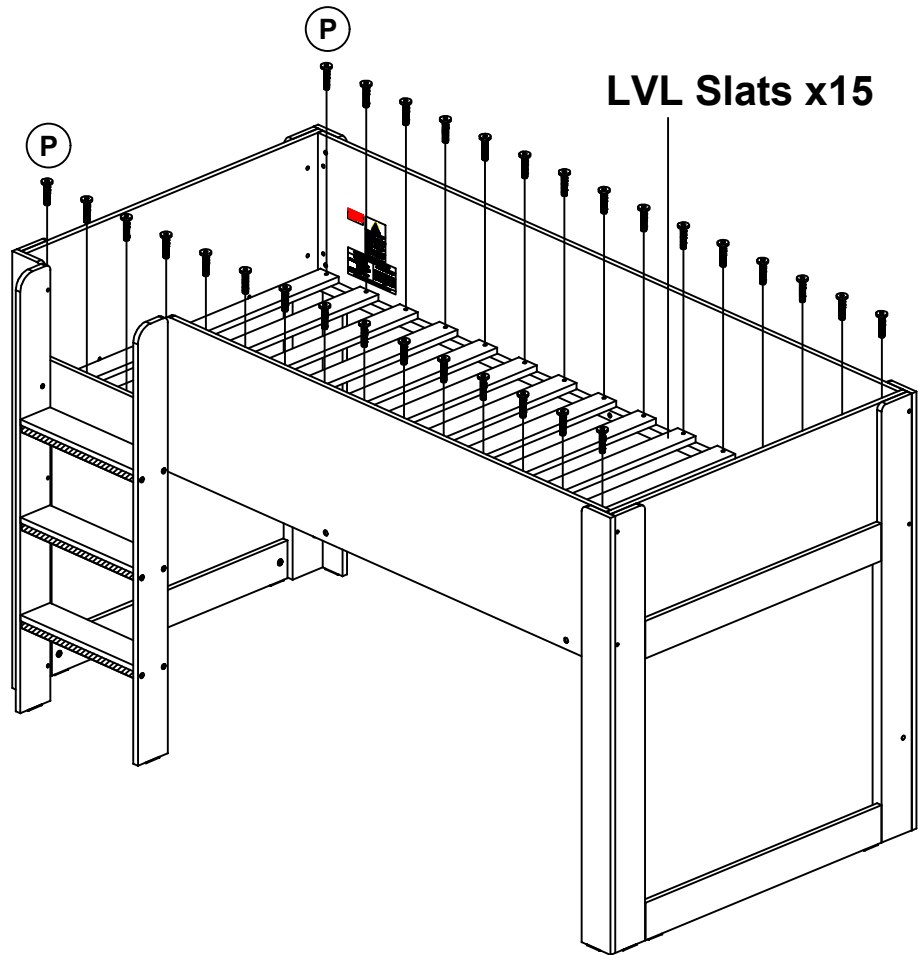
M x 3



22



P x 30



23



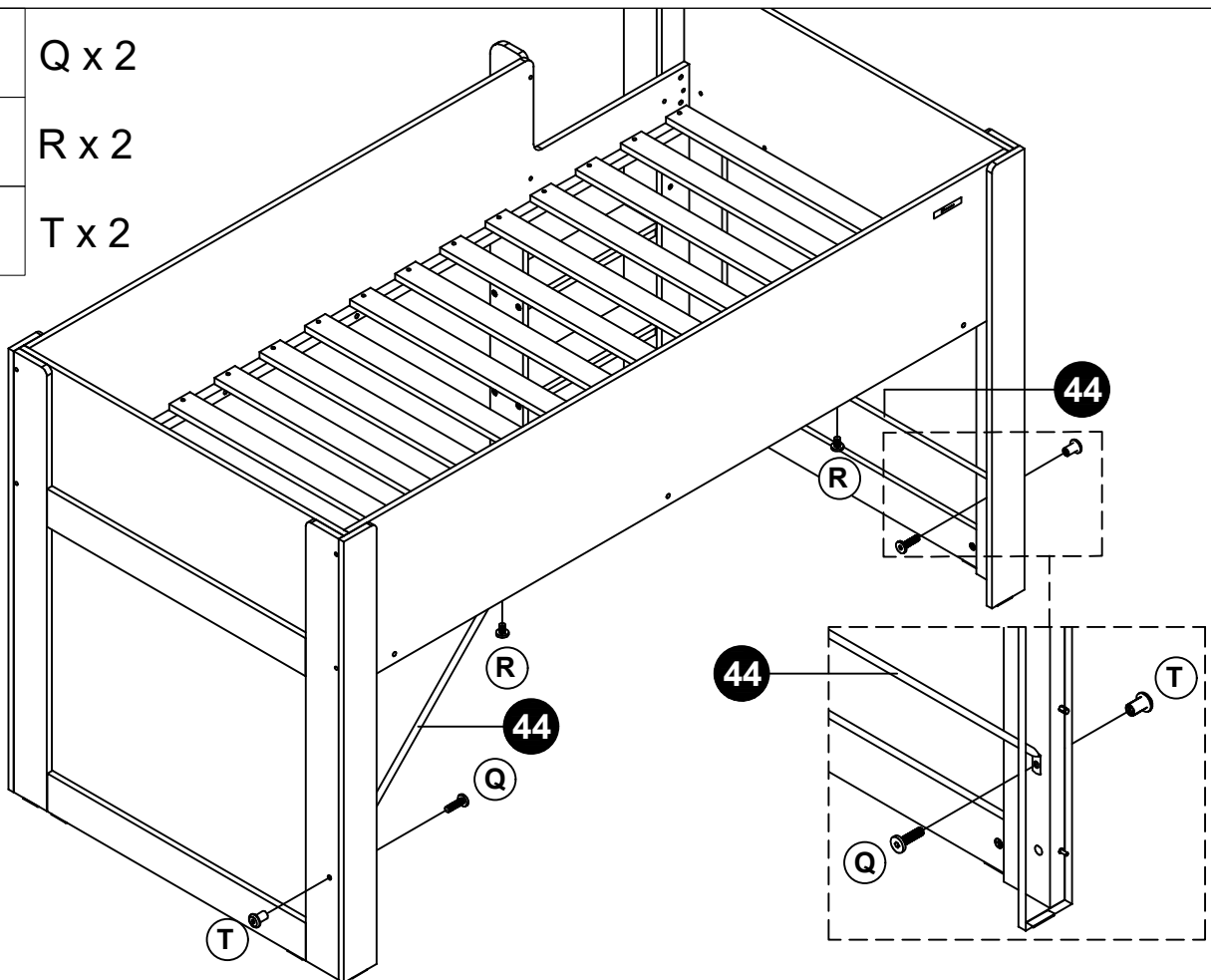
Q x 2



R x 2



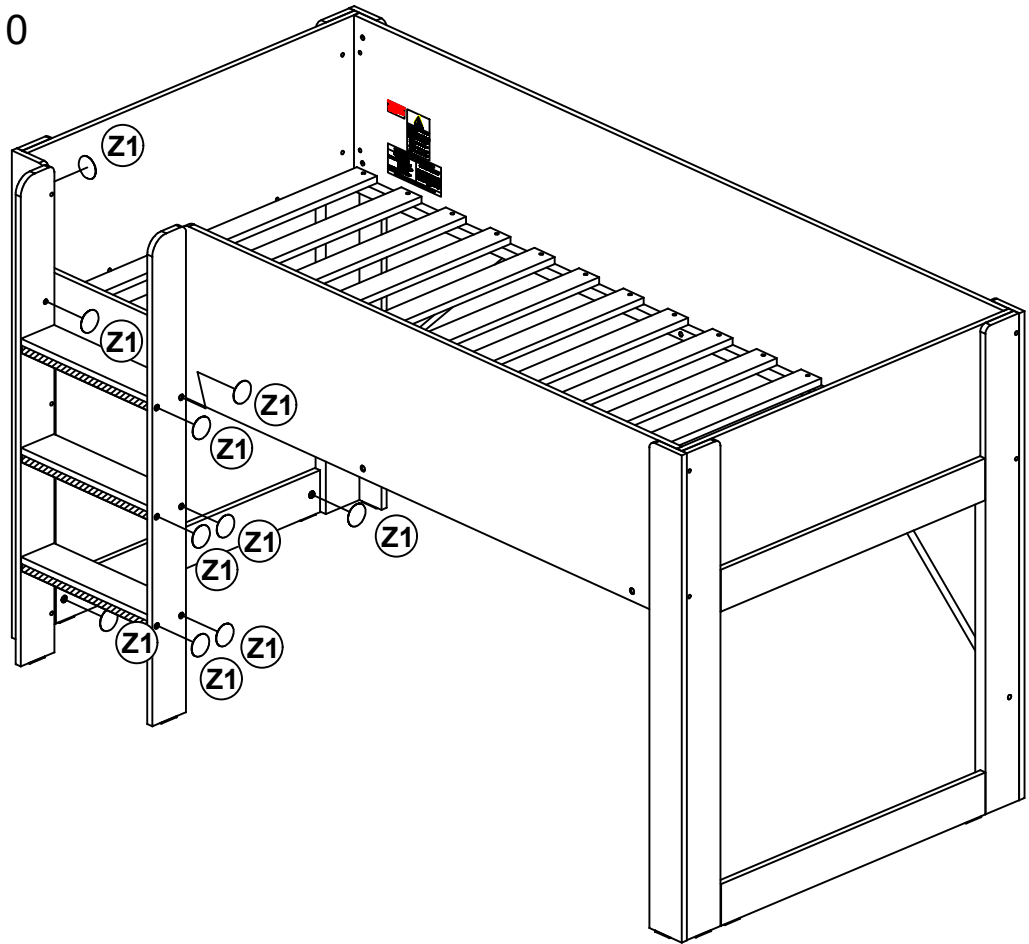
T x 2



24



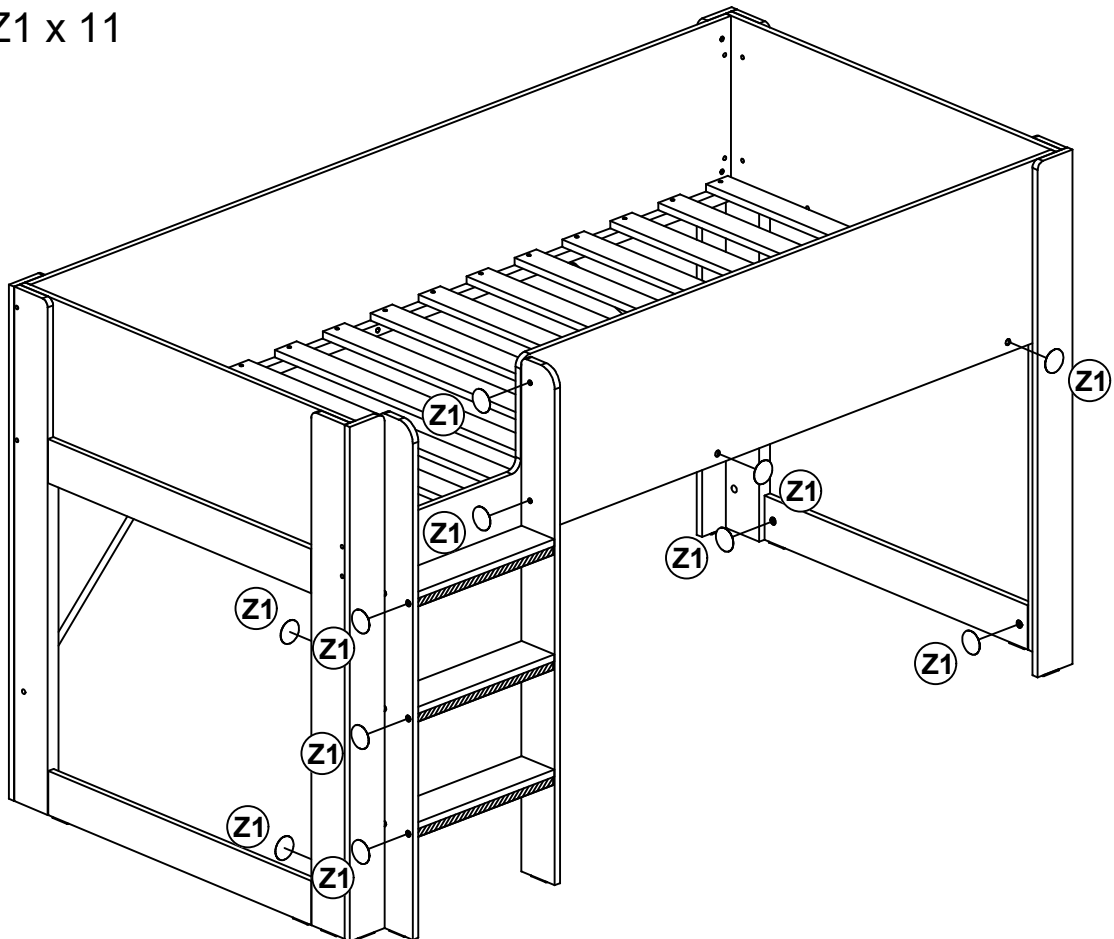
Z1 x 10



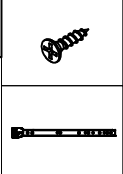
25



Z1 x 11



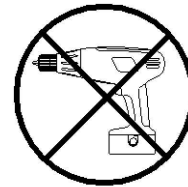
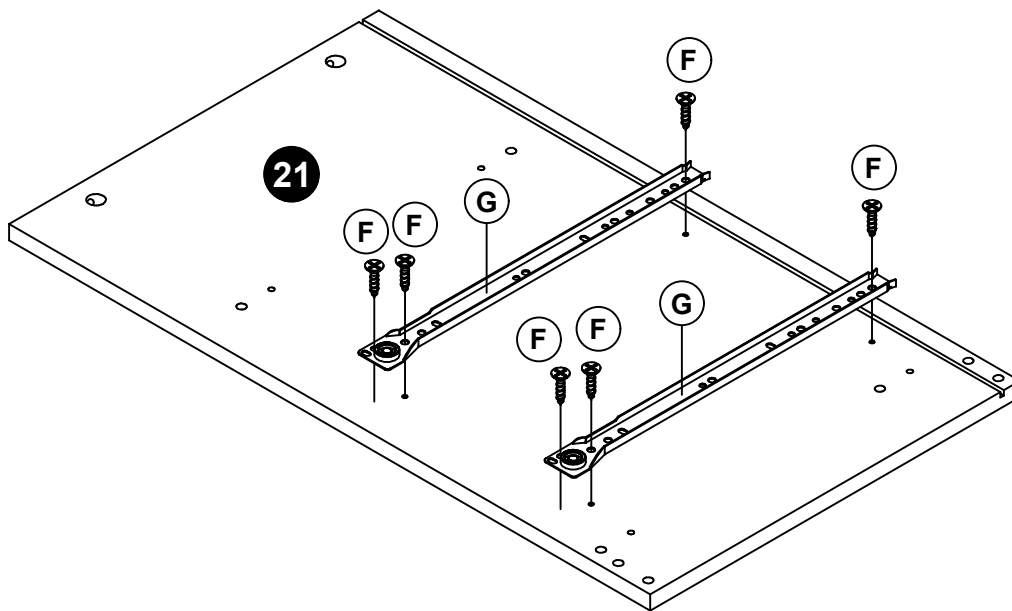
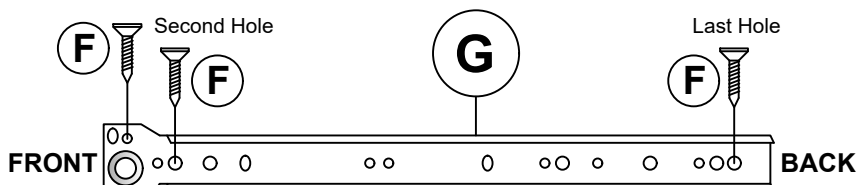
26



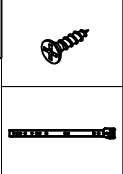
F x 6

G x 2

To Assembly the Drawer Slide, Please Follow Step as Below



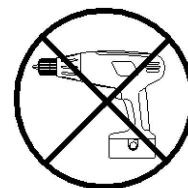
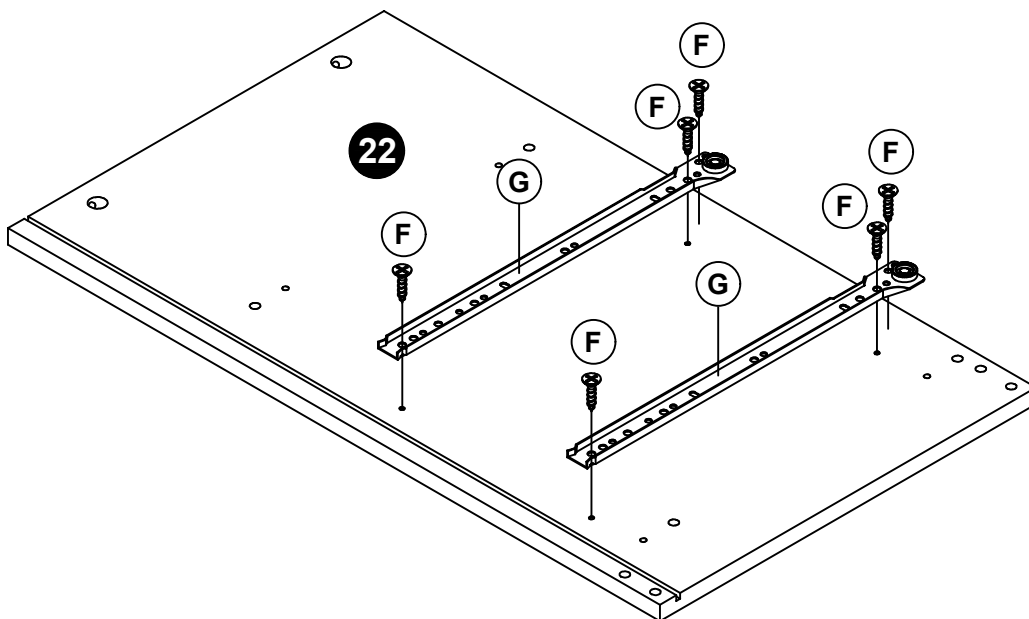
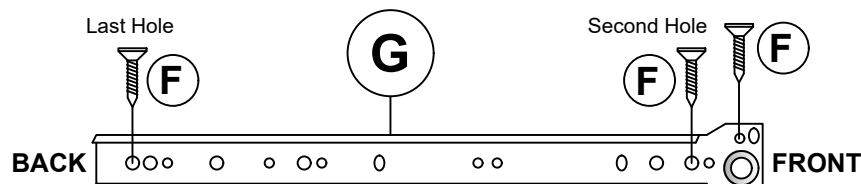
27



F x 6

G x 2

To Assembly the Drawer Slide, Please Follow Step as Below



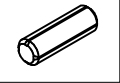
28



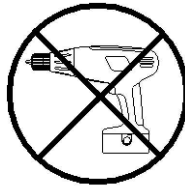
A x 22



B x 22

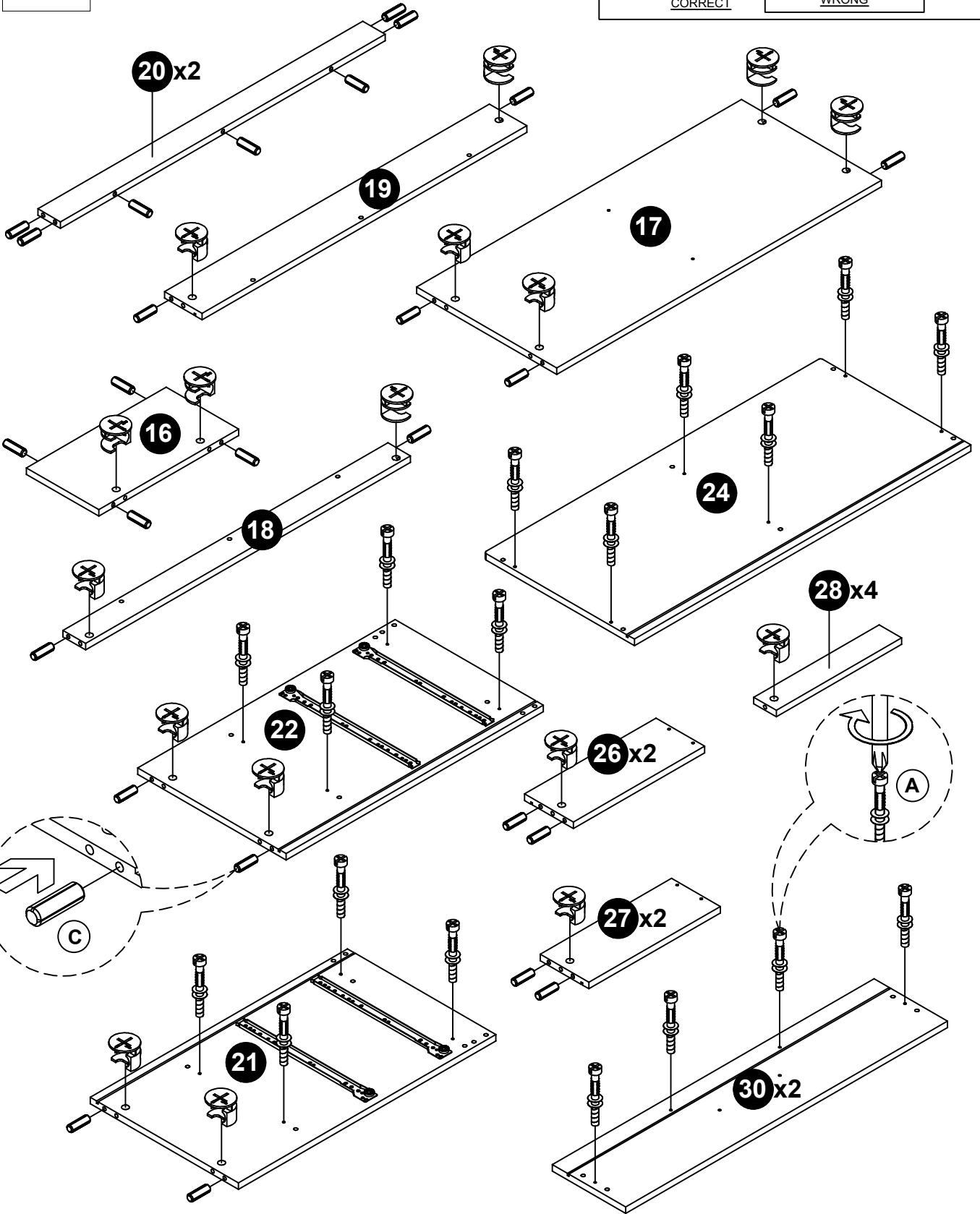
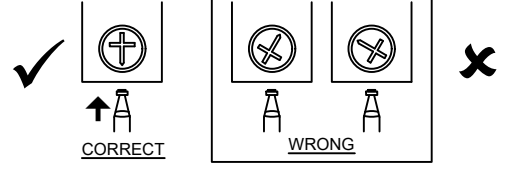


C x 38

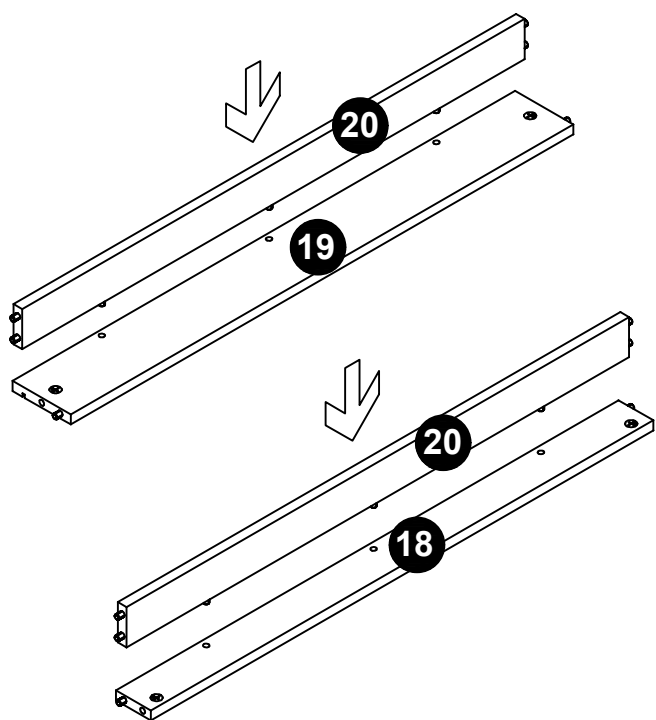


WHEN FITTING CAMS

ENSURE STARTING POSITION IS CORRECT
BEFORE YOU INSERT CONNECTING BOLT
TURN CLOCKWISE UNTIL SECURE

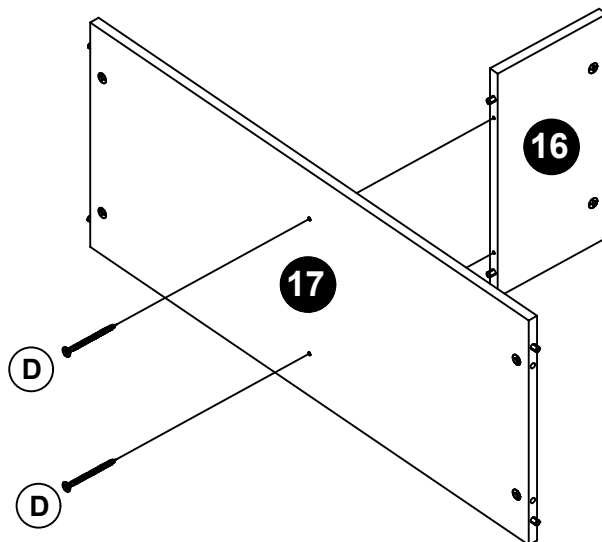
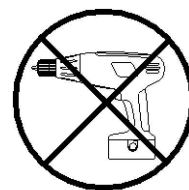


29

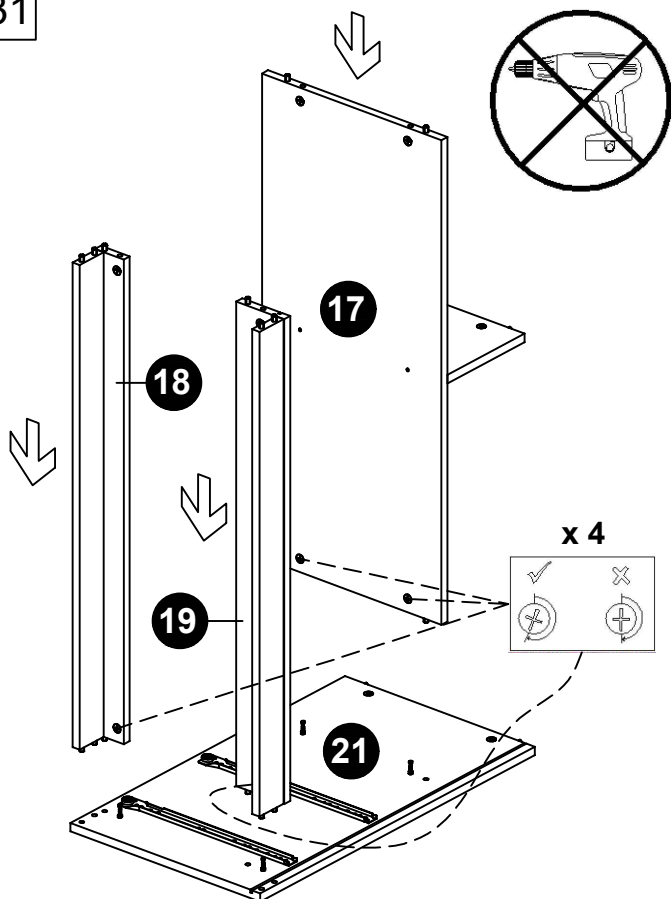


30

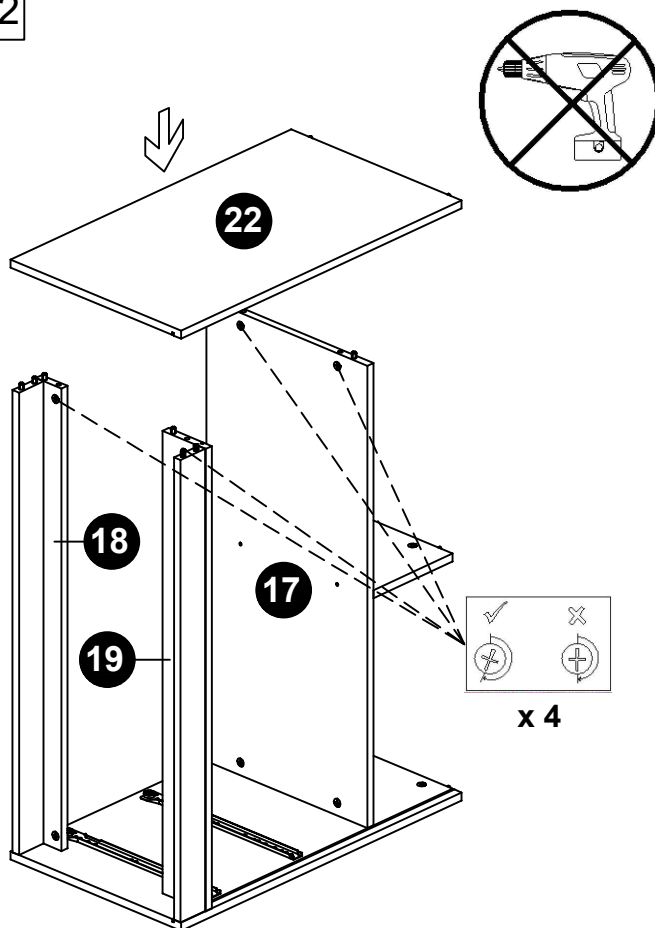
 D x 2



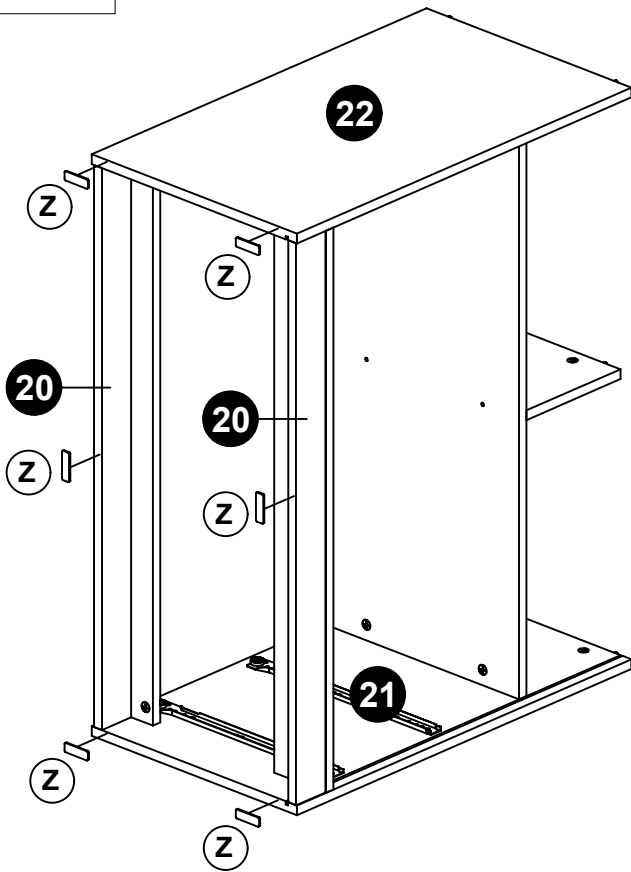
31



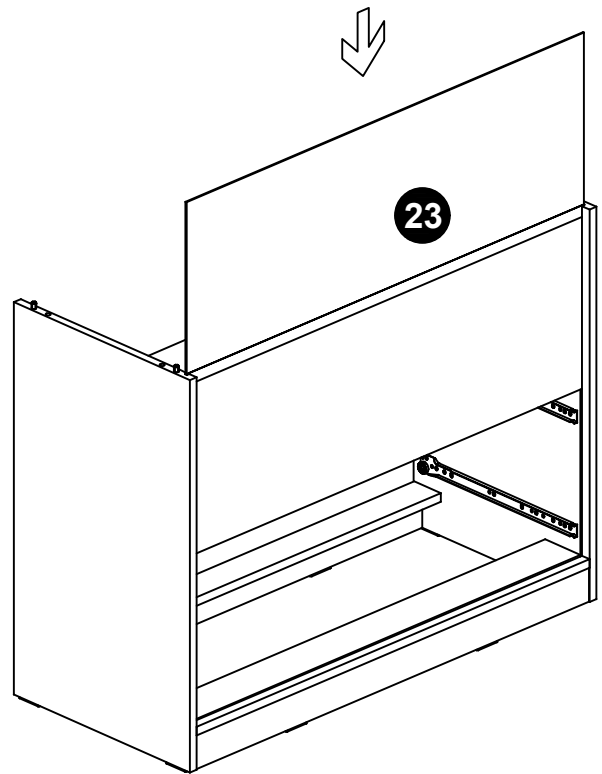
32



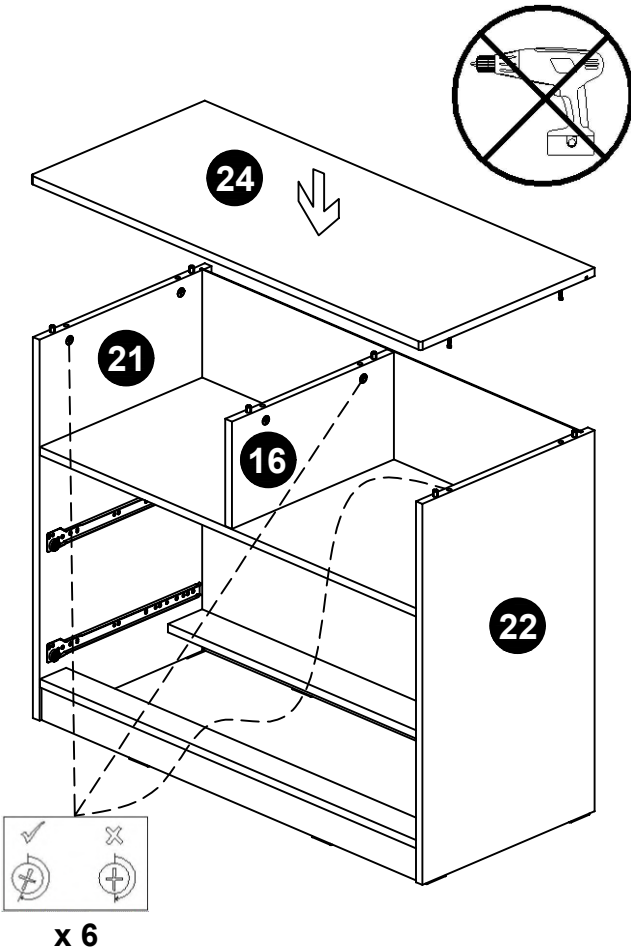
33  Z x 6





34

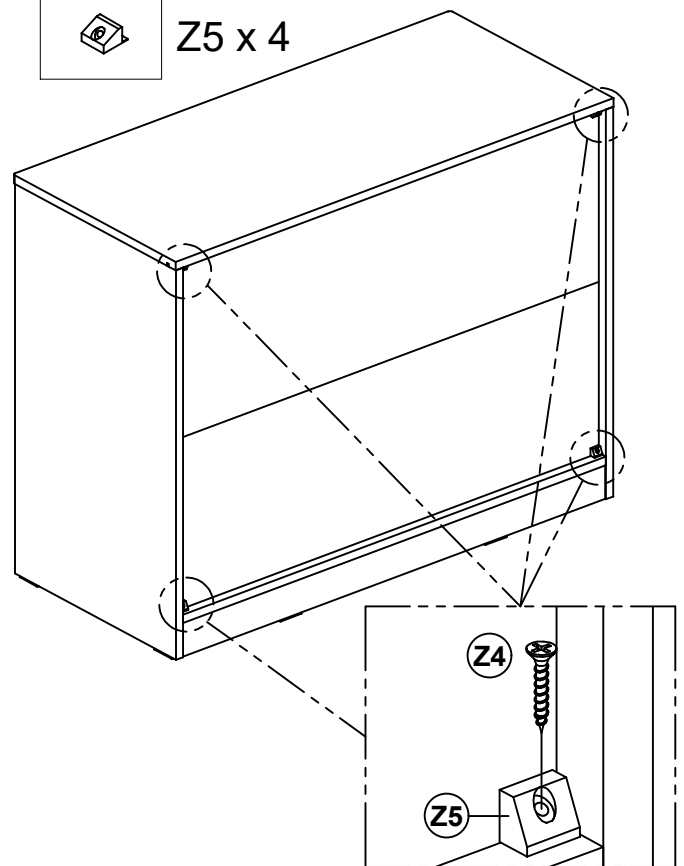


35



36

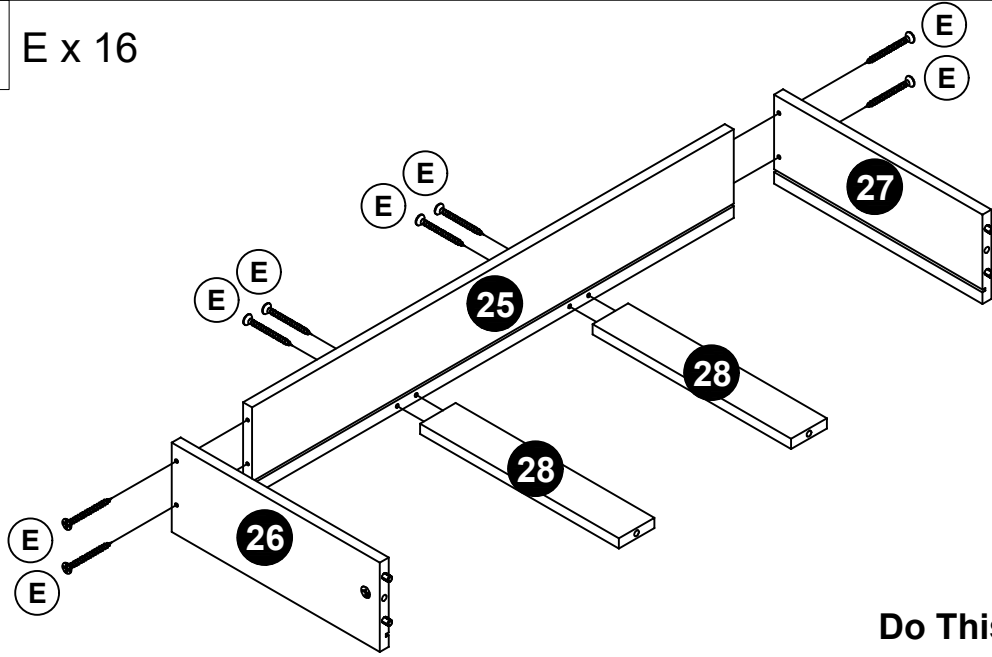
 Z4 x 4
 Z5 x 4



37

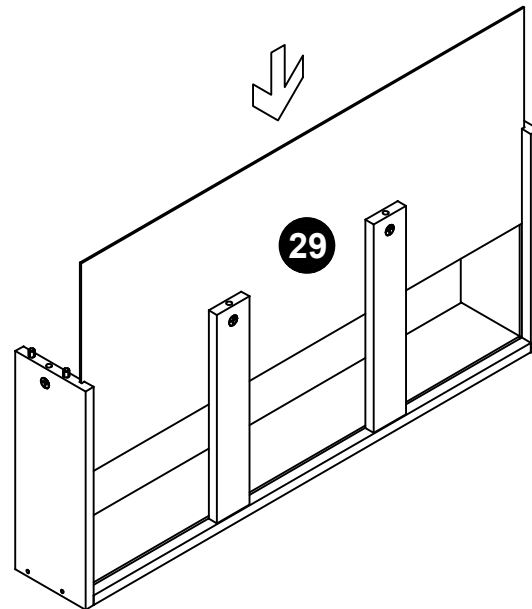


E x 16



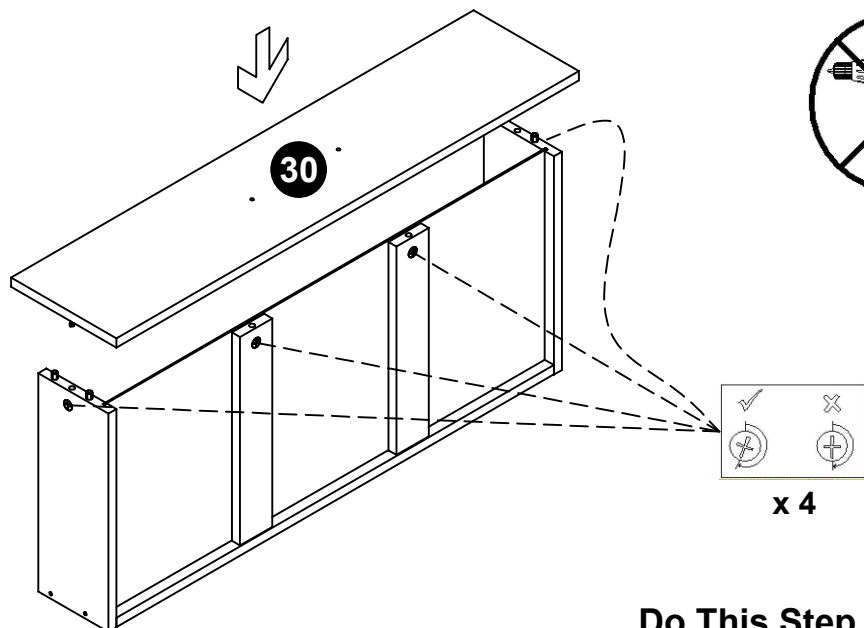
Do This Step 2 Times

38

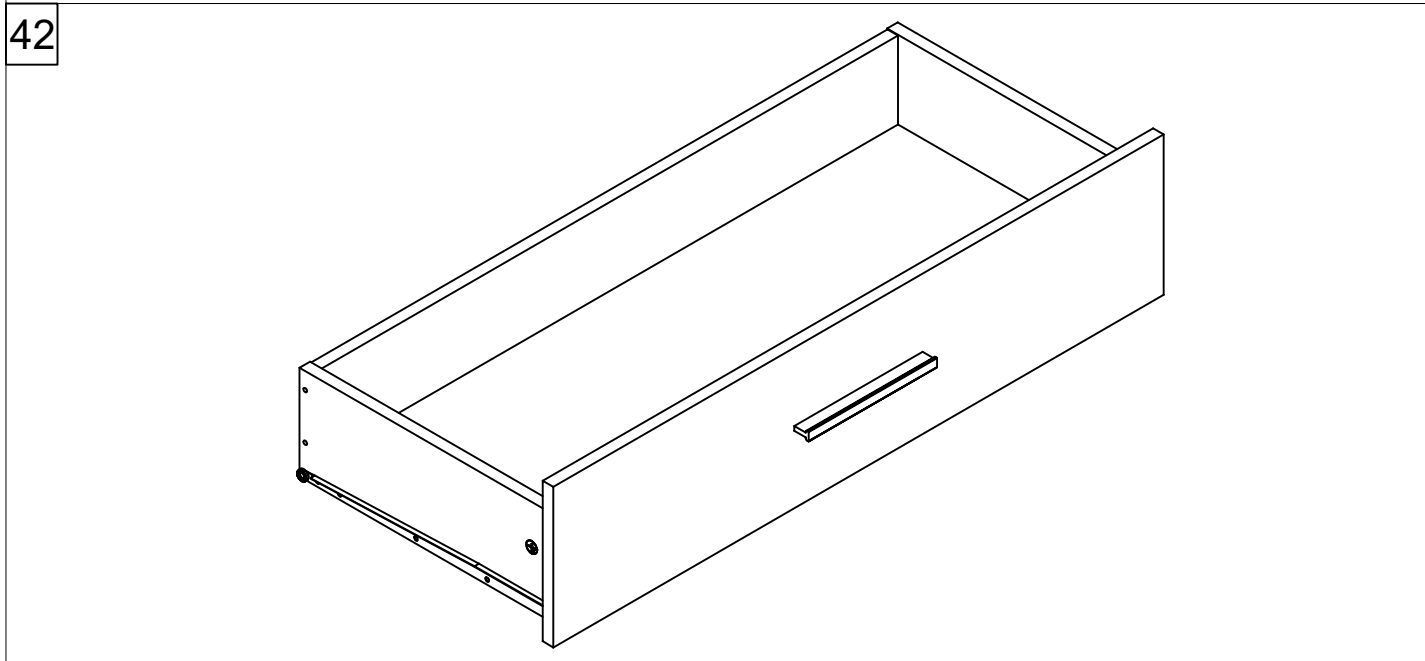
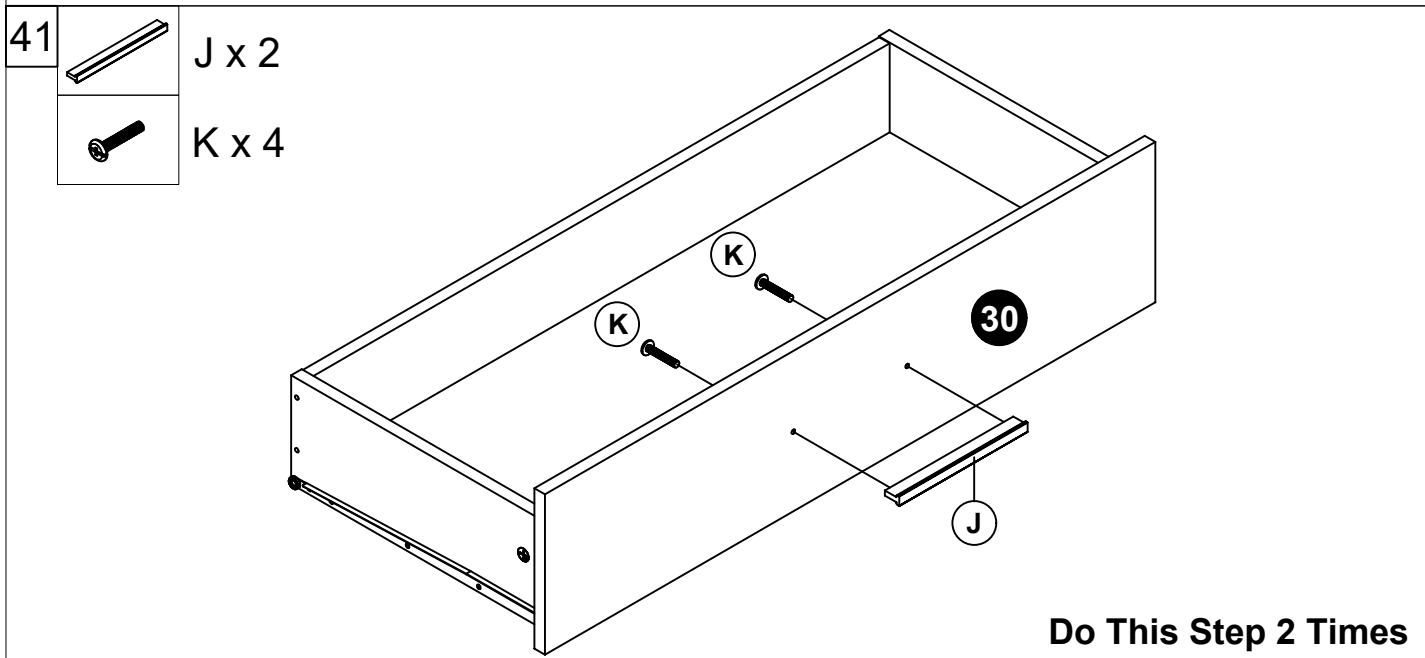
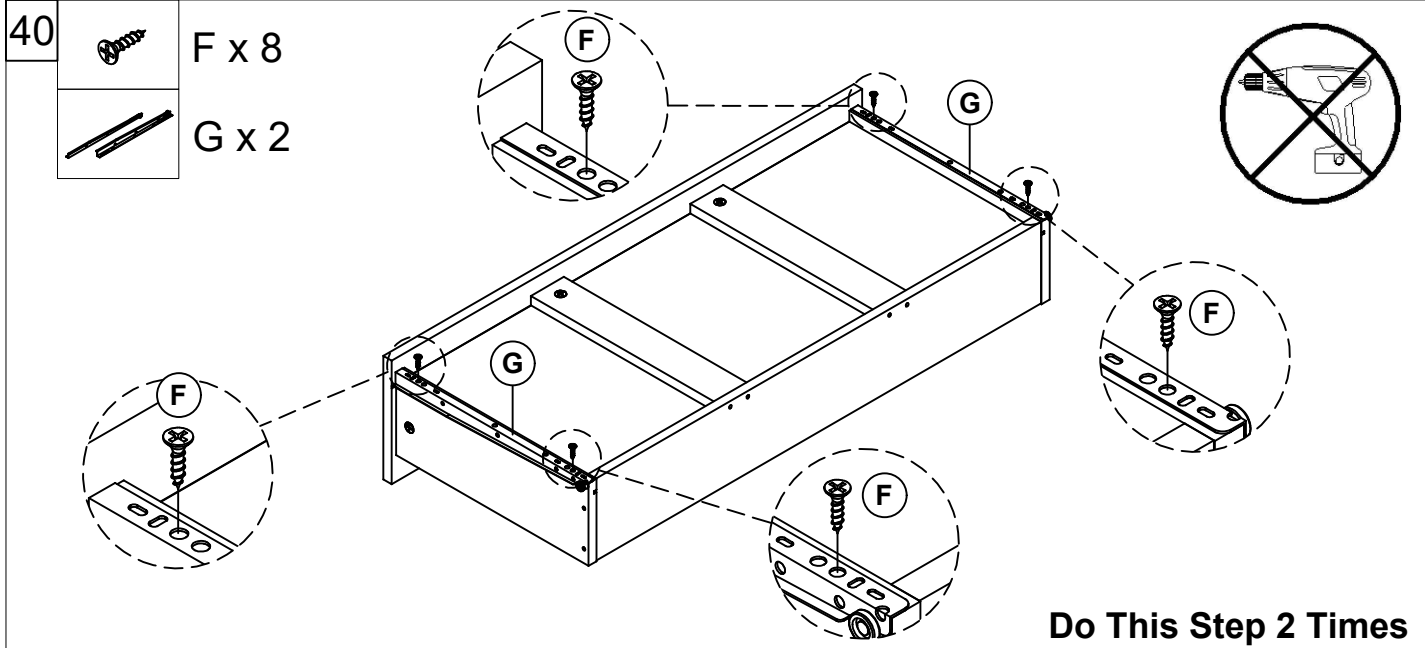


Do This Step 2 Times



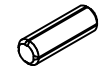
39





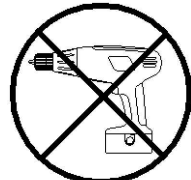
Do This Step 2 Times



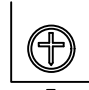
43

-  A x 16
-  B x 16
-  C x 30

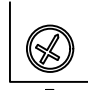
-  F x 16
-  X x 4



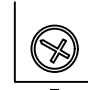
WHEN FITTING CAMS
 ENSURE STARTING POSITION IS CORRECT
 BEFORE YOU INSERT CONNECTING BOLT
 TURN CLOCKWISE UNTIL SECURE



↑ A
CORRECT

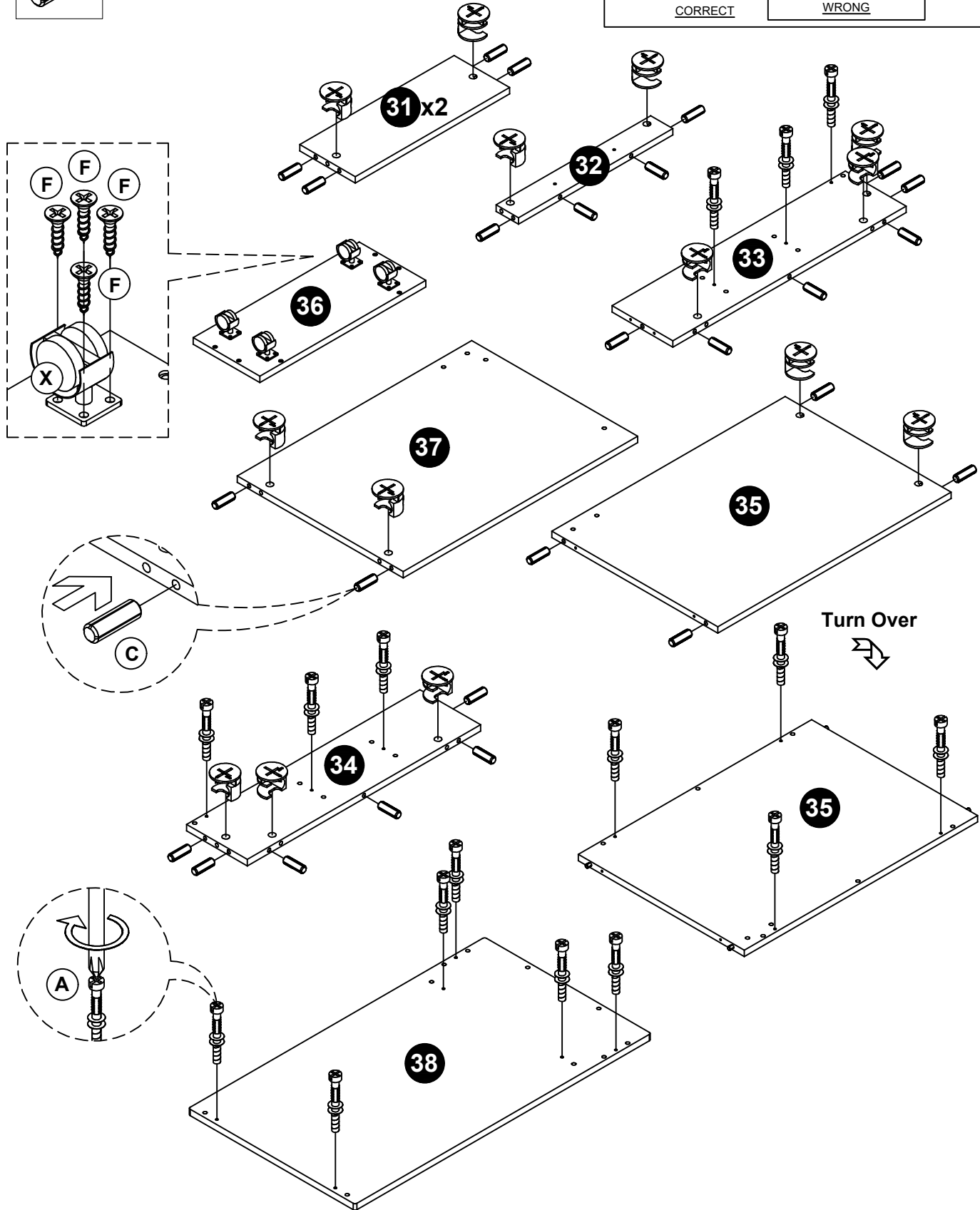


↓ A

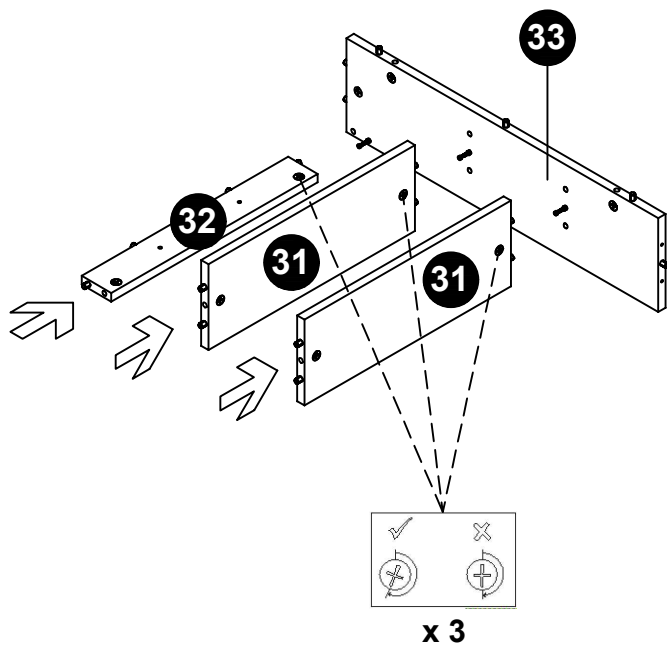


↑ A

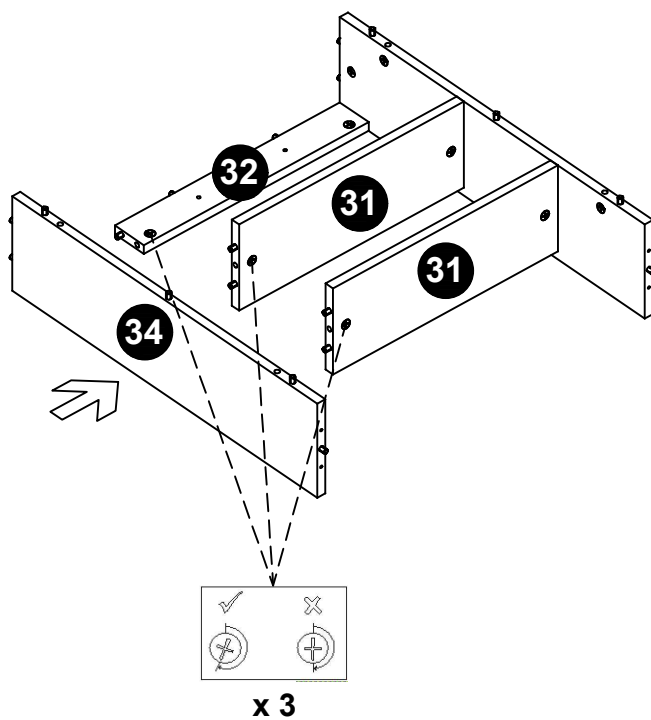
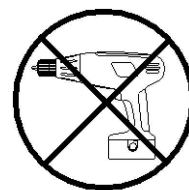
X



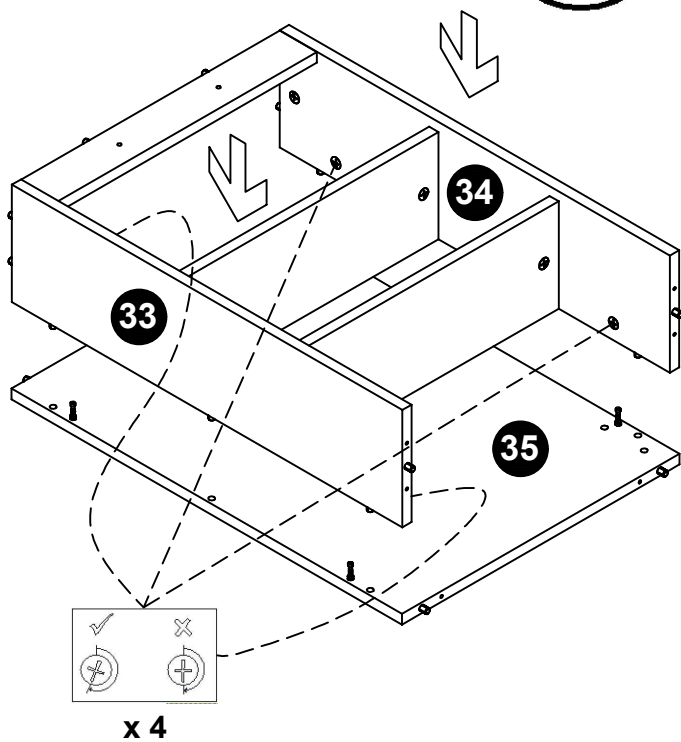
44



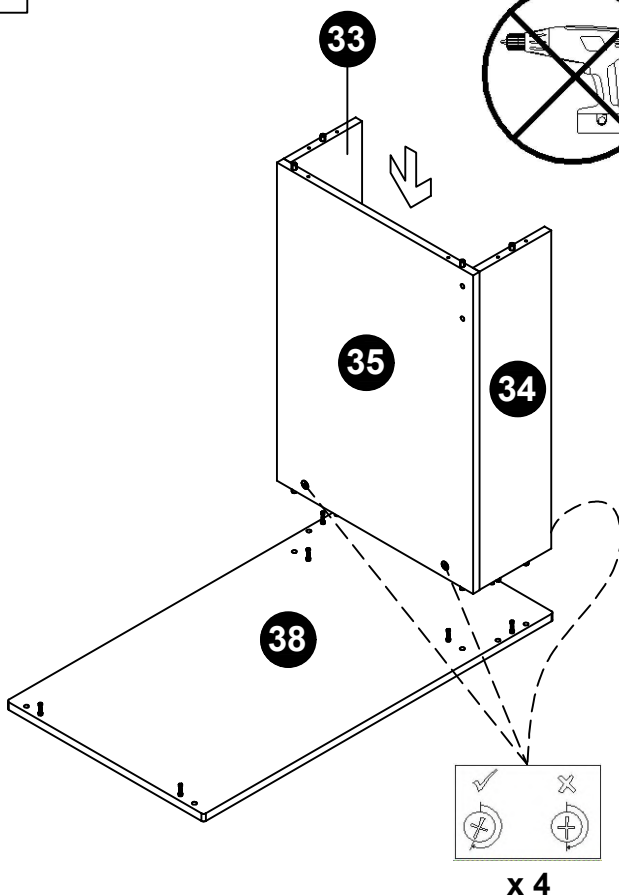
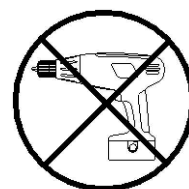
45

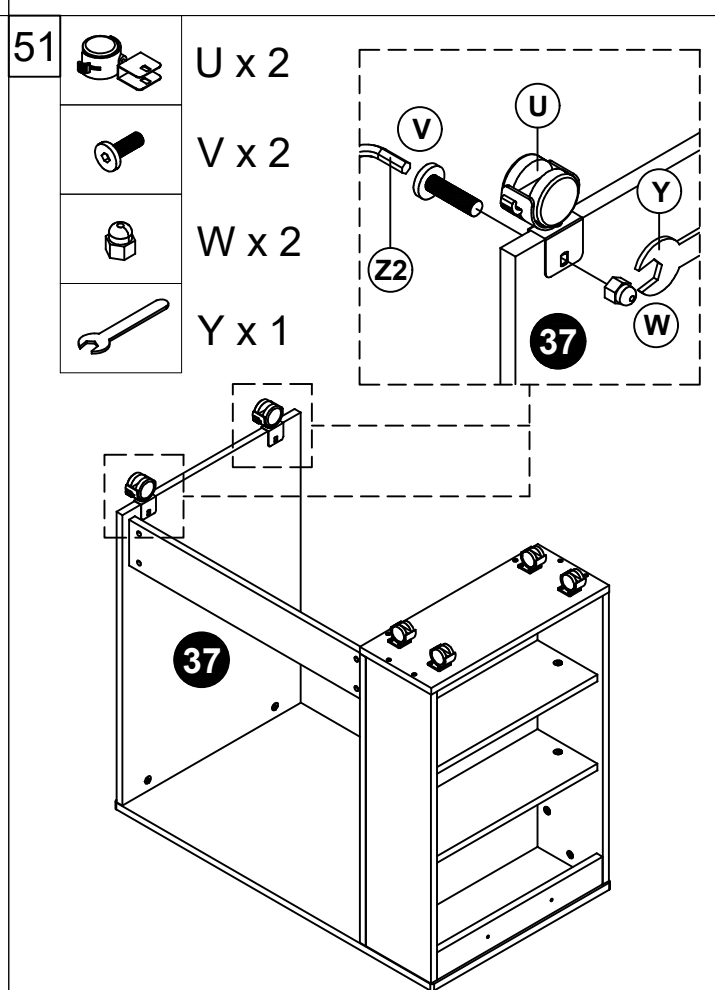
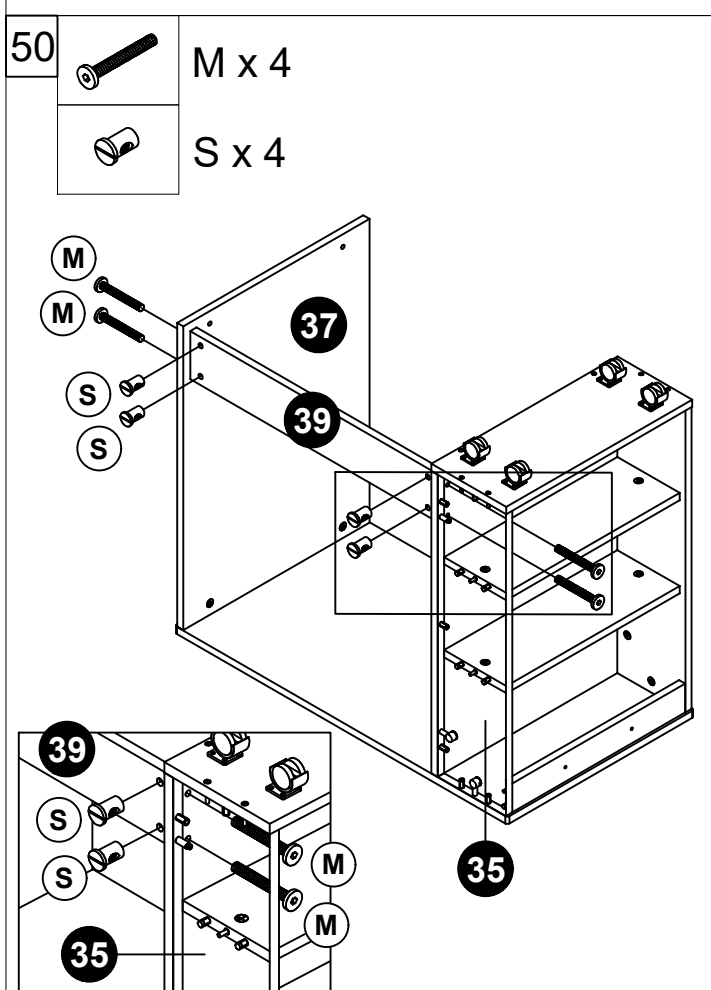
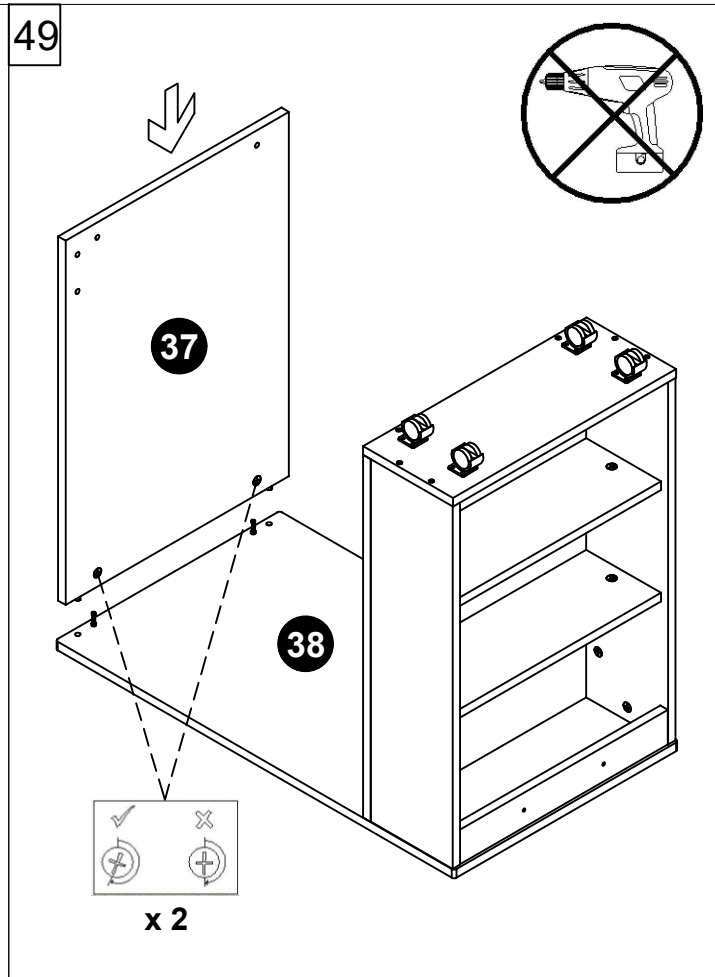
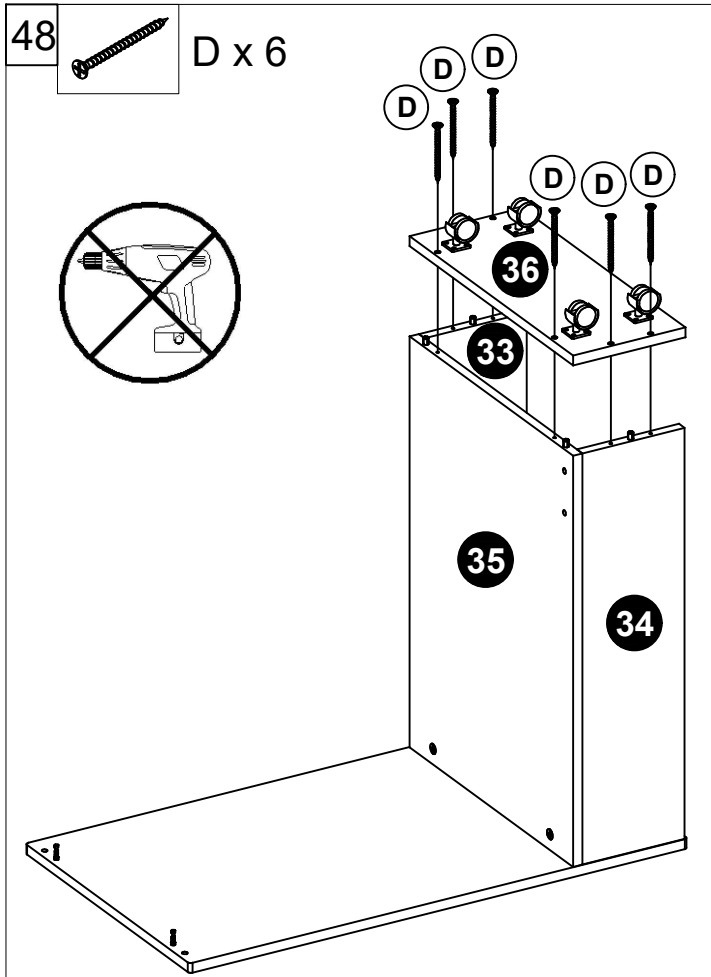


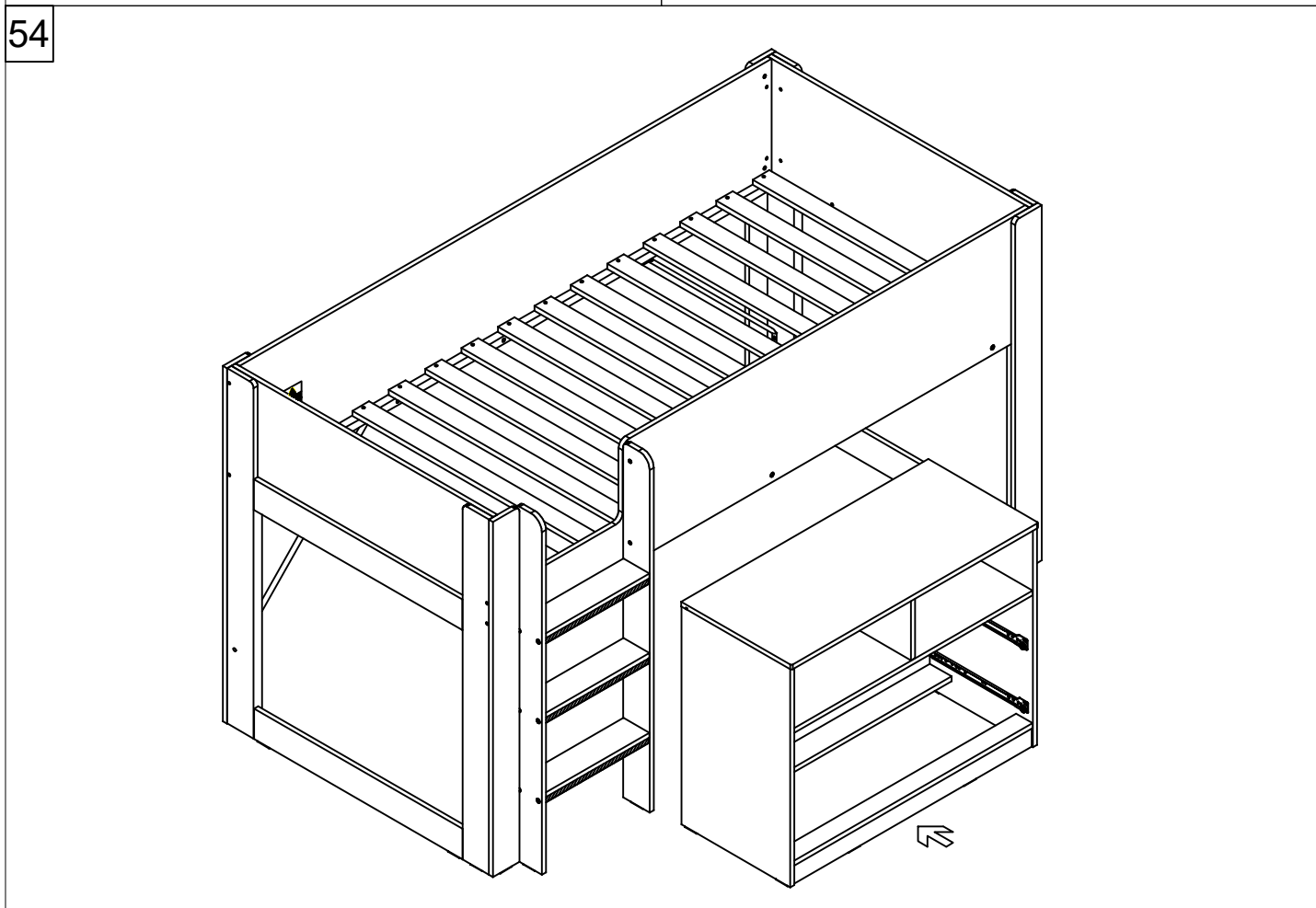
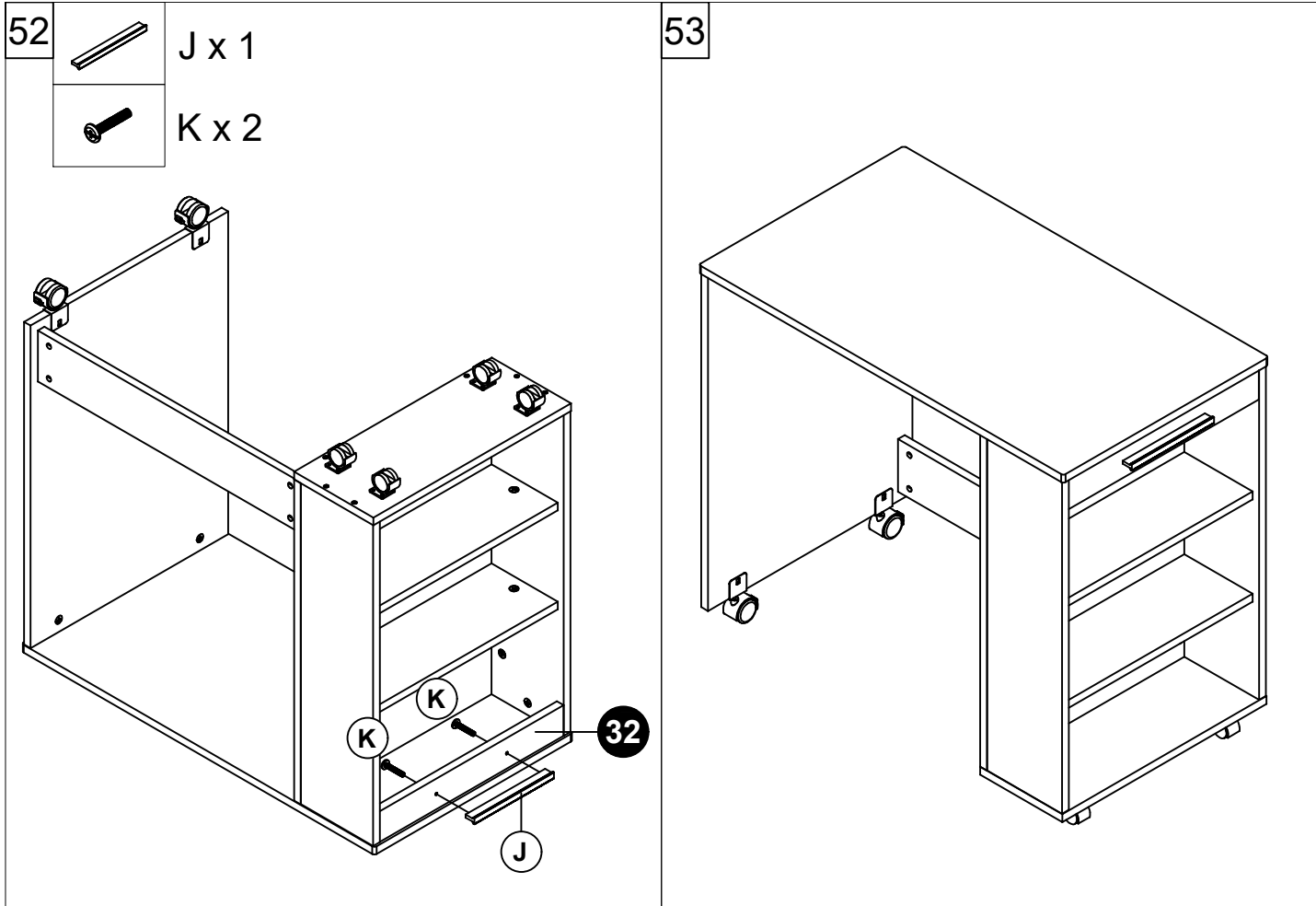
46



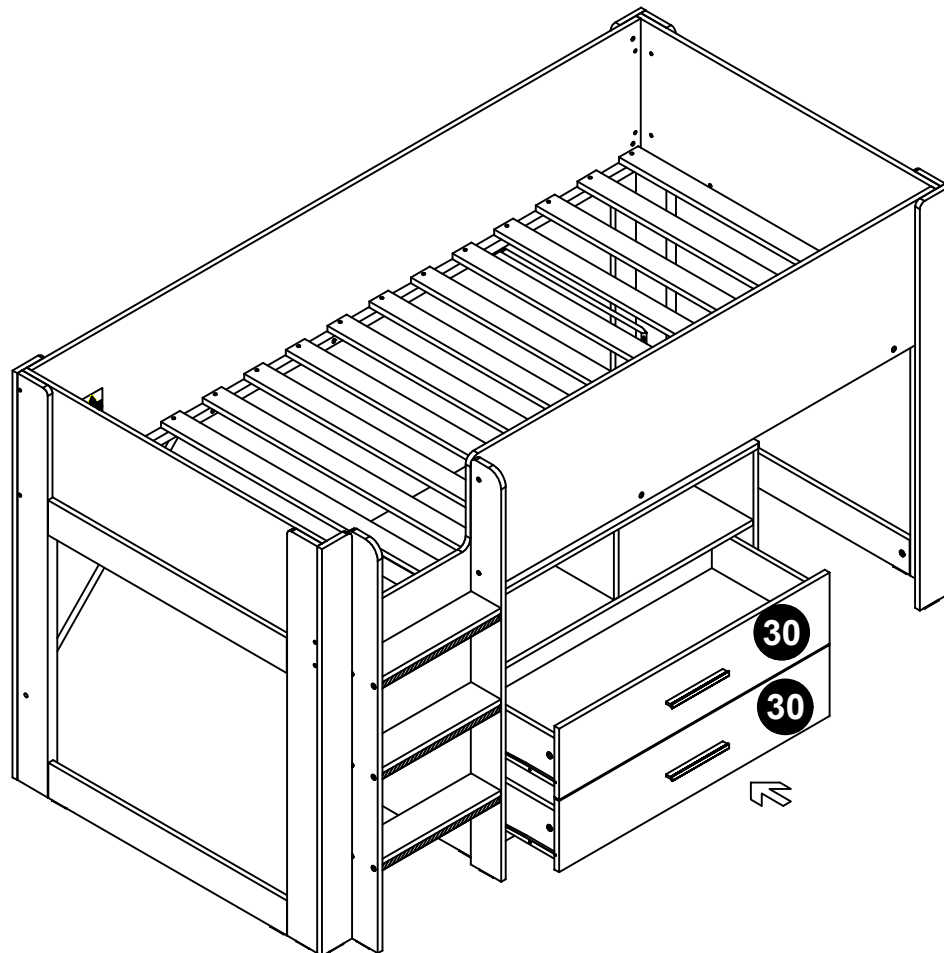
47



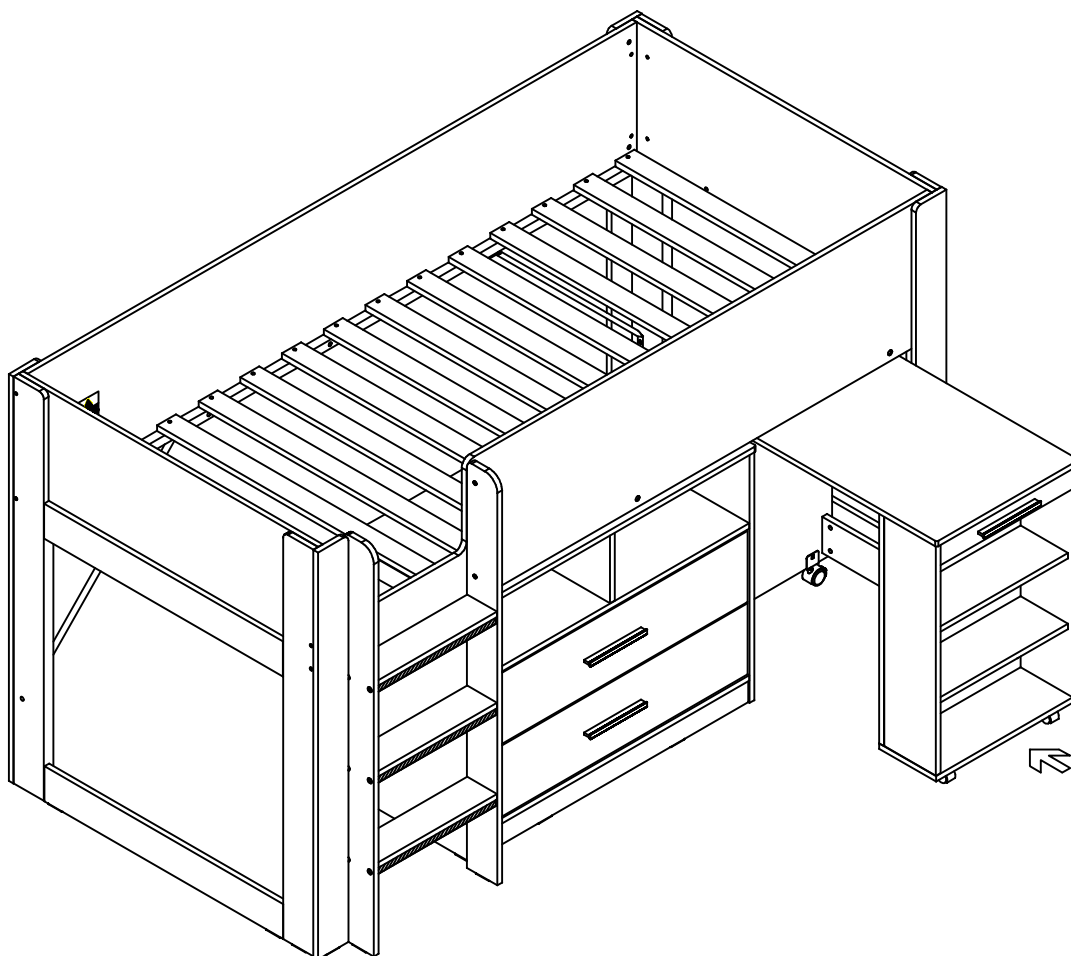




55



56



Please dispose of all packaging safely.

General Care & Maintenance

Wipe clean with a slightly damp cloth.
Avoid the use of all household cleaners and abrasives.

Periodically check all screw & fixings to ensure they are secure.

When moving your product, carefully lift into place. Never drag or push the product across the floor as this will cause damage to the joints. If the product is used on hard flooring, such as wood or laminated floor, you must place some protection under the legs to stop the product from moving. If this is not adhered to, it could result in failure to the product that will invalidate the warranty.

For more information on cleaning and product care visit:
<https://www.happybeds.co.uk/help-and-advice>

Notes

In the unlikely event that you have problems putting this product together or have damaged or missing parts, please contact us by visiting:
<https://www.happybeds.co.uk/customer-service>