

## Assembly Instructions

### Important before assembly:

Read these instructions carefully before assembling or using the product.

Please check the contents of the boxes before attempting to assemble this product. The instructions will have a checklist of parts and fittings.

Assemble the product as close to its intended final location/room as possible.

### Health & Safety:

This product or some parts of this product will be heavy. Please use an assistant when lifting.

Please keep small parts out of reach of children.

Always use on a level, even surface.

DO NOT jump on the product or any of its parts.

DO NOT use this product if any parts are missing, damaged or worn.

DO NOT use this product unless all fixings are secured.

**Further instructions are on the following pages.**

Please keep these instructions for future reference.



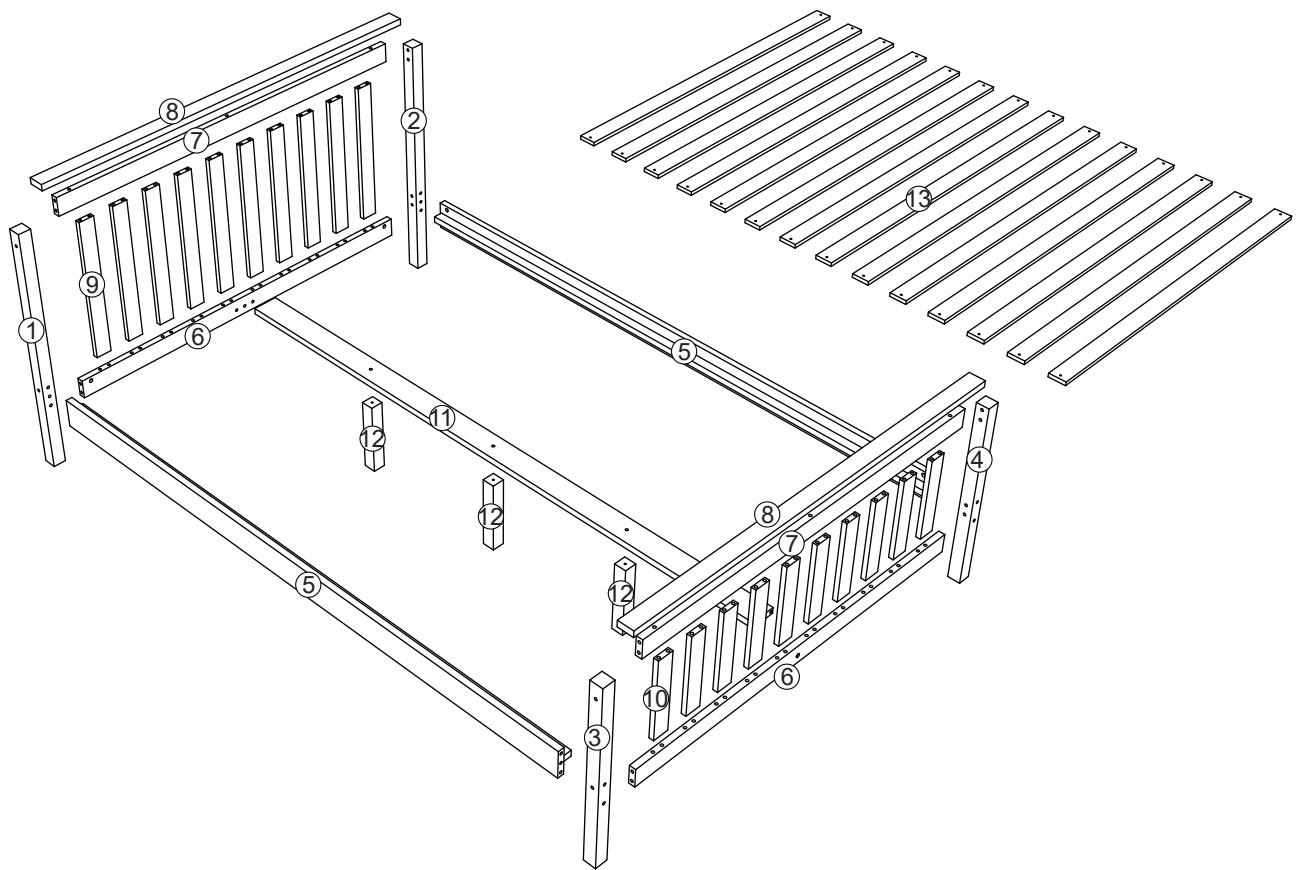
This product or some parts of this product will be heavy. Please use an assistant when lifting.




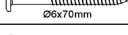
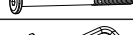






Never drag or push the pieces across a hard or stone floor as this will cause damage to the joints. Use a carpet or a rug for extra care.



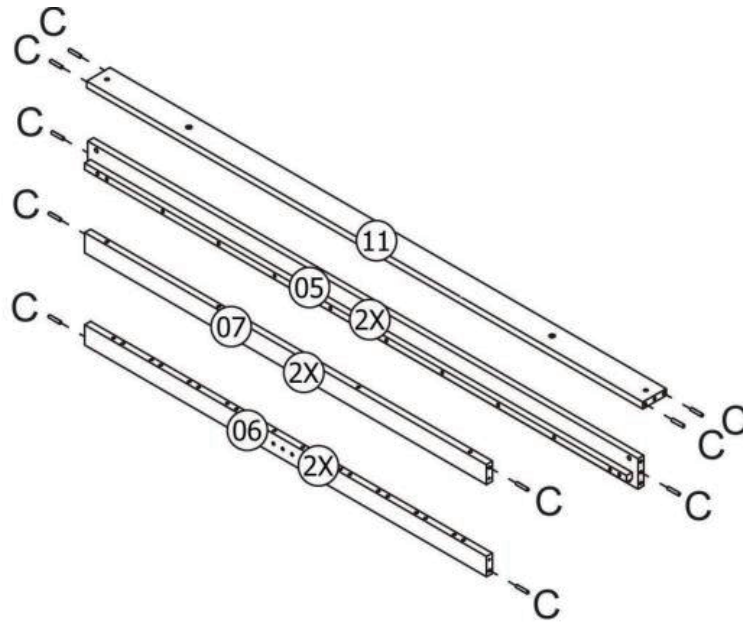
If you have problems assembling or have damaged or missing pieces, please contact our customer services (details at the back of these instructions)



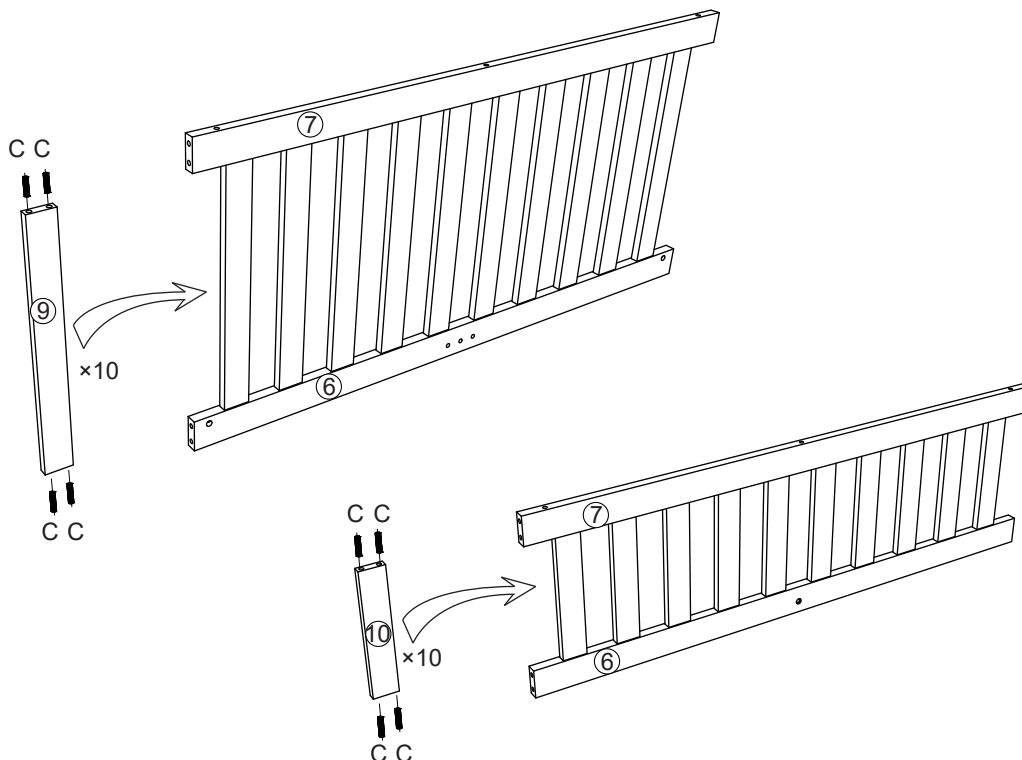
Parts List				Hardware List		
Part	Description	Box	Qty	Part	Description	Qty
1	Headboard Left Post	1	1	A	M6×80mm Bolt 	12
2	Headboard Right Post	1	1	B	Nut 	14
3	Footboard Left Post	1	1	C	φ10×30mm Dowel 	96
4	Footboard Right Post	1	1	D	M6×70mm Screw 	4
5	Side Rail	1	2	E	M6×70mm Bolt 	8
6	Bottom Rail	1	2	F	Allen key 	1
7	Upper Rail	1	2	G	φ4×30mm Screw 	28
8	Topper	1	2	H	φ7×60mm Screw 	3
9	Headboard rail	1	10	I	Plastic Cover 	18
10	Footboard rail	1	10			
11	Centre Rail	1	1			
12	Support Leg	1	3			
13	Slat	1	1			

\*\* You will need a screwdriver and a small mallet (not provided).

Step 1: Please insert the dowels (C) into 2×siderails(5), 2×bottom rails(6), 2×upper rails(7), and 1×centre rail(11) using a small mallet (Not provided). DO NOT use any power tools as this may damage the frame and will invalidate any claim.



Step 2: Insert hardware part C to Headboard rail (9) and Footboard rail (10) using a small mallet (not provided). DO NOT use any power tools as this may damage the frame and will invalidate any claim.

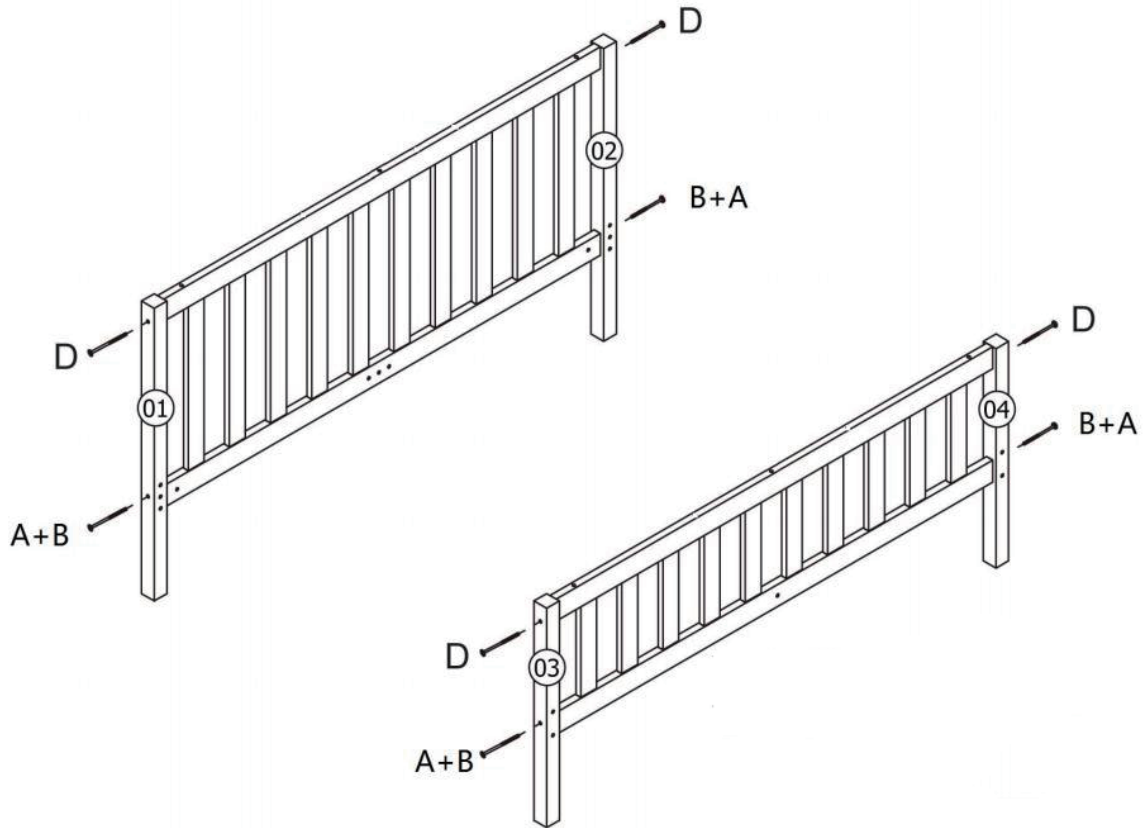


Vendor:S000409

Step 3: Attach the headboard left post(1) and headboard right post(2) to the bottom rail(6) and upper rail(7) using hardware parts A,B,D and F.

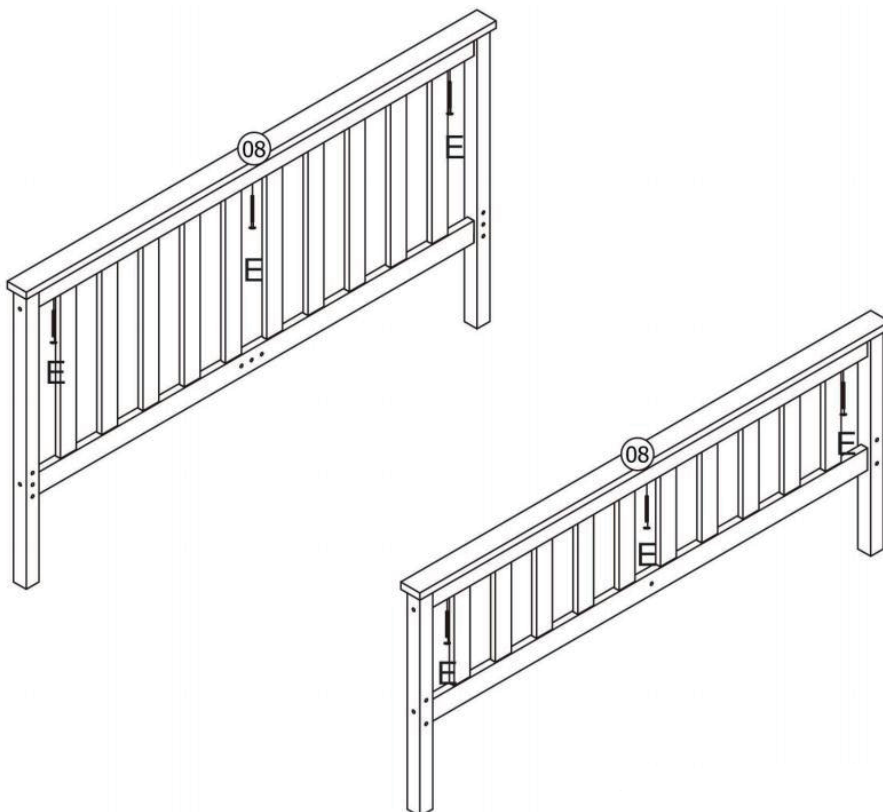
Attach the footboard left post(3) and footboard right post(4) to the bottom rail(6) and upper rail(7) using hardware parts A,B,D and F.

DO NOT use any power tools as this may damage the frame and will invalidate any claim.

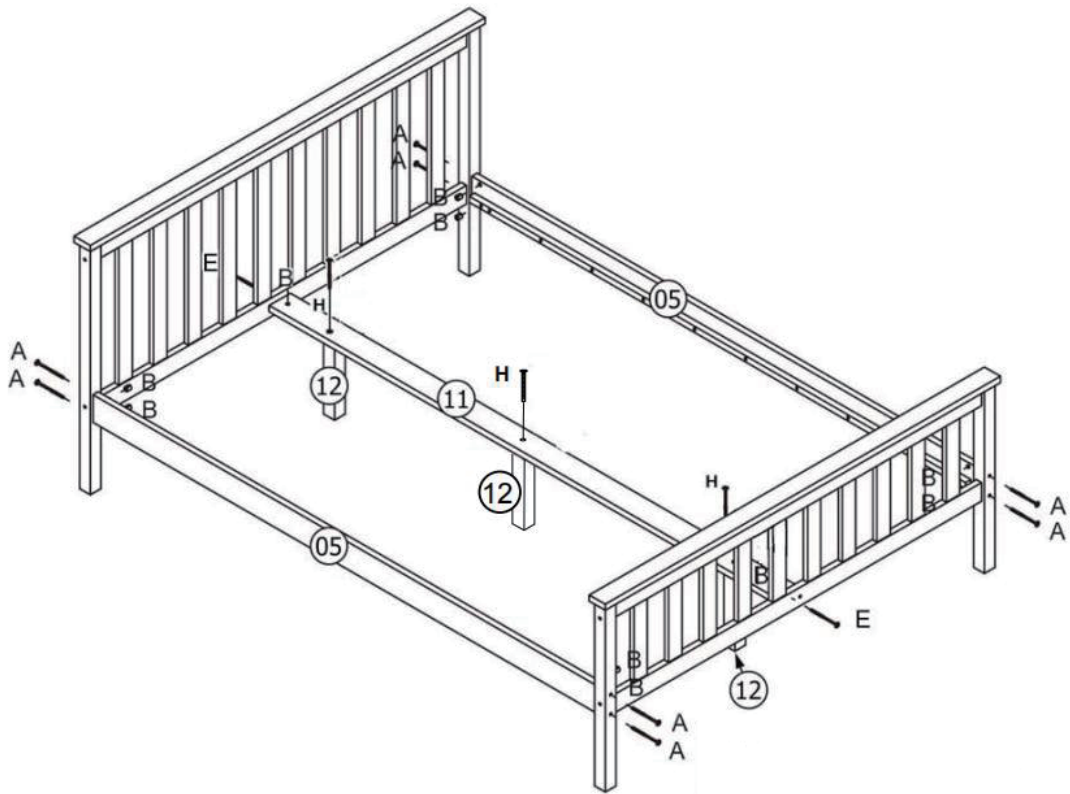


Step 4: Attach Topper(3) to the Headboard&Footboard using hardware parts E and F.

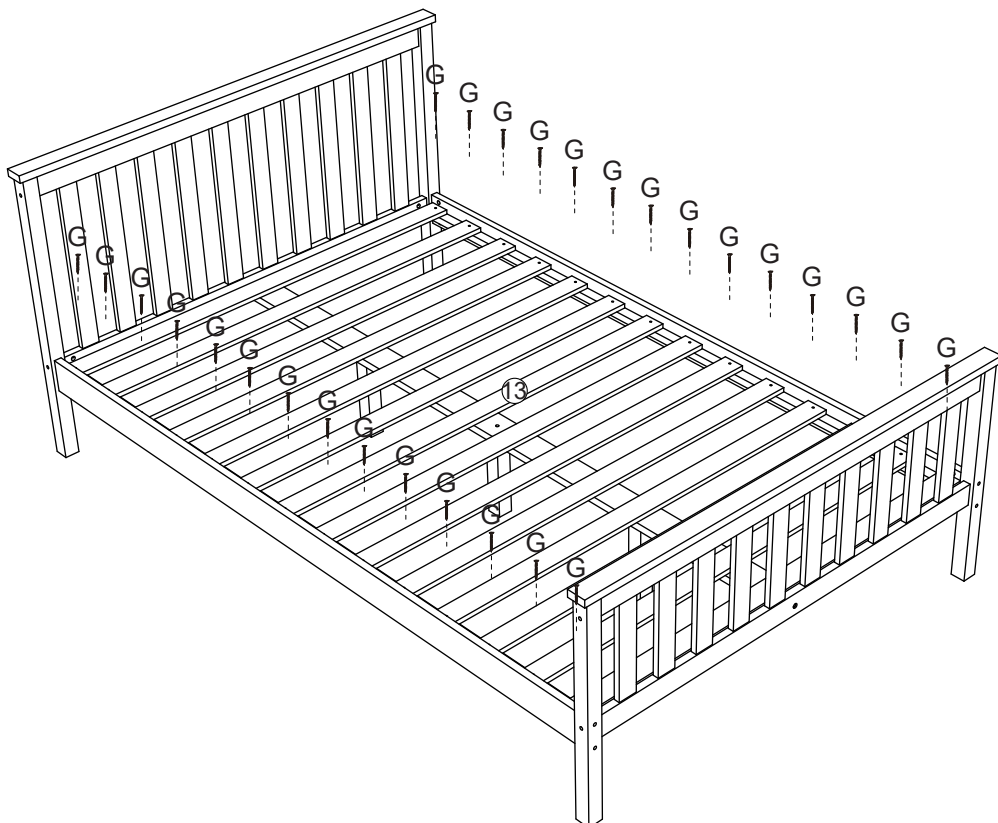
DO NOT use any power tools as this may damage the frame and will invalidate any claim.



Step 5: Attach the side rails(5)to the headboard&footboard using hardware parts A,BandF.  
Attach the centre rail(11)to support leg(12)using hardware parts H andF.  
Attach the centre rail(11)to the headboard&footboard using hardware parts B,EandF.  
DO NOT use any power tools as this may damage the frame and will invalidate any claim.



Step 6: Fix the slats(13)to the side rails(5)using hardware G with hand driver(not provided). Make sure to start from the ends and work towards the middle.  
DO NOT use any power tools as this may damage the frame and will invalidate any claim.



Please dispose of all packaging safely.

## General Care & Maintenance

Wipe clean with a slightly damp cloth.  
Avoid the use of all household cleaners and abrasives.

Periodically check all screw & fixings to ensure they are secure.

When moving your product, carefully lift into place. Never drag or push the product across the floor as this will cause damage to the joints. If the product is used on hard flooring, such as wood or laminated floor, you must place some protection under the legs to stop the product from moving. If this is not adhered to, it could result in failure to the product that will invalidate the warranty.

For more information on cleaning and product care visit:  
<https://www.happybeds.co.uk/help-and-advice>

## Notes

In the unlikely event that you have problems putting this product together or have damaged or missing parts, please contact us by visiting:  
<https://www.happybeds.co.uk/customer-service>