

## Assembly Instructions

### Important before assembly:

Read these instructions carefully before assembling or using the product.

Please check the contents of the boxes before attempting to assemble this product. The instructions will have a checklist of parts and fittings.

Assemble the product as close to its intended final location/room as possible.

### Health & Safety:

This product or some parts of this product will be heavy. Please use an assistant when lifting.

Please keep small parts out of reach of children.

Always use on a level, even surface.

DO NOT jump on the product or any of its parts.

DO NOT use this product if any parts are missing, damaged or worn.

DO NOT use this product unless all fixings are secured.

Further instructions are on the following pages.

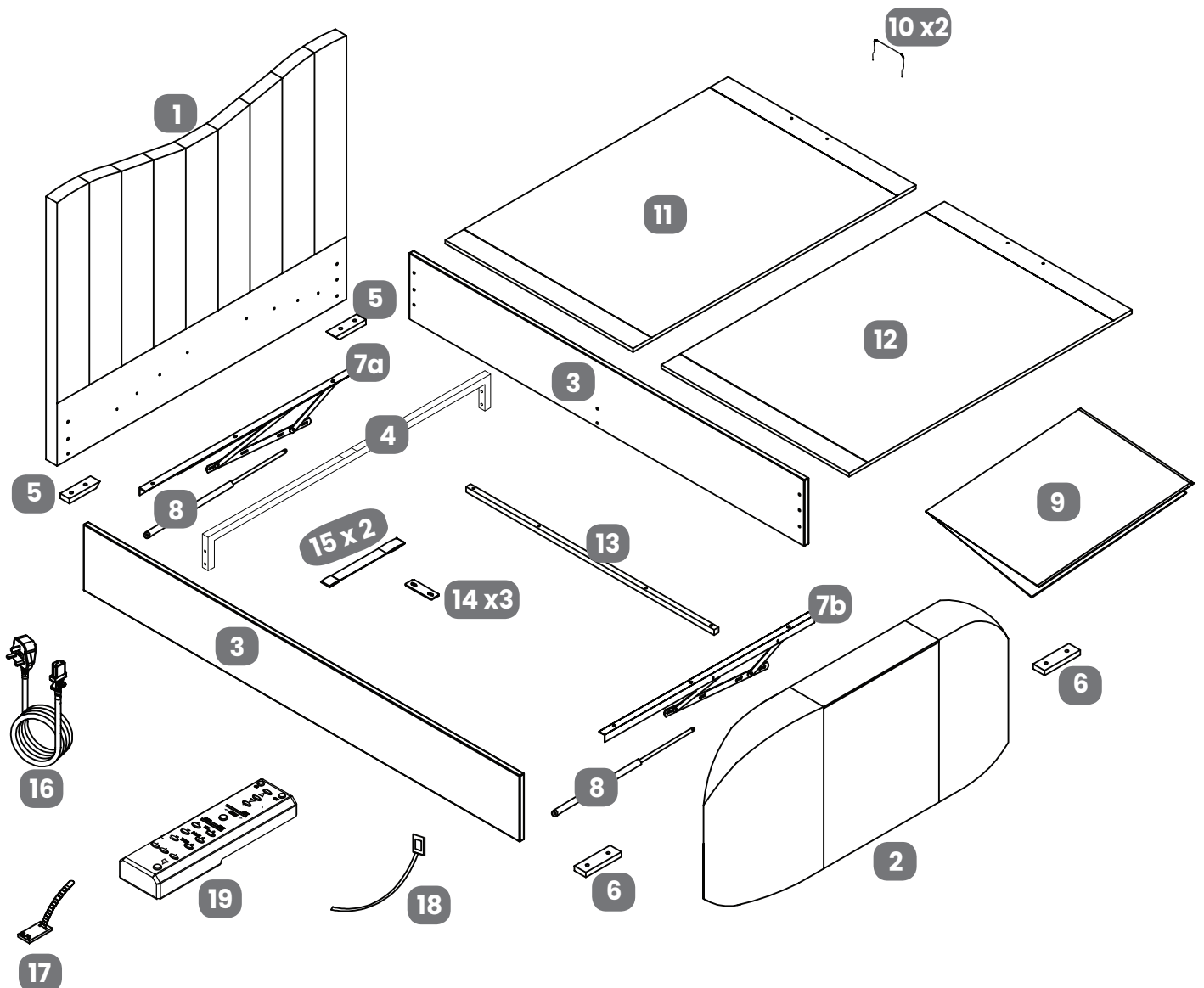
Please keep these instructions for future reference.

# Happy beds™

www.happybeds.co.uk

No	Part List	Qty	Box
1	Headboard	1 pc	1
2	Footboard	1 pc	2
3	Side rails	2 pcs	3
4	"U" shaped cross bar	1 pc	2
5	Headboard feet	2 pcs	2
6	Footboard feet	2 pcs	2
7a	Gas-lift mechanism	1 pc	2
7b	Gas-lift mechanism	1 pc	2
8	Gas-lift pistons	2 pcs	2
9	Fabric base cover	1 pc	4

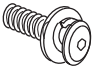

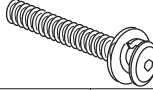
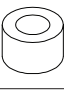
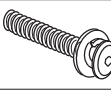

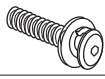

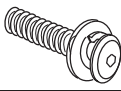



No	Part List	Qty	Box
10	Mattress stoppers	2 pcs	2
11	Mattress base board	1 pc	4
12	Mattress base board	1 pc	4
13	Mattress base board support rail	Double & King 2 pcs Super King 3 pcs	2
14	Metal connection plates	3 pcs	2
15	Fabric hand strap	2 pc	2
16	Mains power lead	1 pc	2
17	Cable clips	3 pcs	2
18	Cable ties	3 pcs	2
19	Remote control for TV lift	1 pc	2



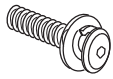
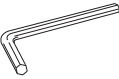
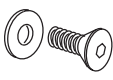
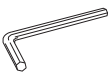
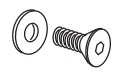
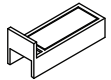

# Happy beds™

www.happybeds.co.uk

## HARDWARE NEEDED FOR BED ASSEMBLY (PACK A)

No	Hardware List	Qty	Box	No	Hardware List	Qty	Box
A	Bolt (M8x20mm) 	24 pcs	2	G	Allen key for M8 bolts 	1 pc	2
B	Bolt (M8x65mm) 	4 pcs	2	H	Plastic spacer for lift mechanism (7a & 7b) 	8 pcs	2
C	Bolt (M8x45mm) 	Double & King	12 pcs	J	Hook bracket 	2 pcs	2
		Super King	16 pcs				
D	Bolt (M6x35mm) 	8 pcs	2	K	Hook bracket 	2 pcs	2
E	Bolt (M8x35mm) 	16 pcs	2	L	Flanged M8 lock-nuts 	4 pcs	2
F	Allen key for M6 bolts 	1 pc	2	M	Spanner for flanged M8 lock-nuts 	1 pc	2

## HARDWARE NEEDED FOR TV INSTALLATION (PACK B)

No	Hardware List	Qty	Box	No	Hardware List	Qty	Box
U	Bolt set M8 x 25mm 	2 pcs	2	V	Allen key (4mm) 	1 pc	2
	Counter-sunk screw set (M6x12mm) 	2 pcs	2		Allen key (2.5mm) 	1 pc	2
	Counter-sunk screw set (M4x12mm) 	2 pcs	2	W	TV Support Slide 	2 pcs	2
X	Plastic spacer for fitting TV (see Step 13 ii) 	2 pcs	2				

### WARNING

#### TO AVOID ACCIDENTS

To access the storage area, the ottoman frame MUST BE FULLY OPENED and then FULLY CLOSED afterwards.

### CAUTION

To be operated by ADULTS ONLY.

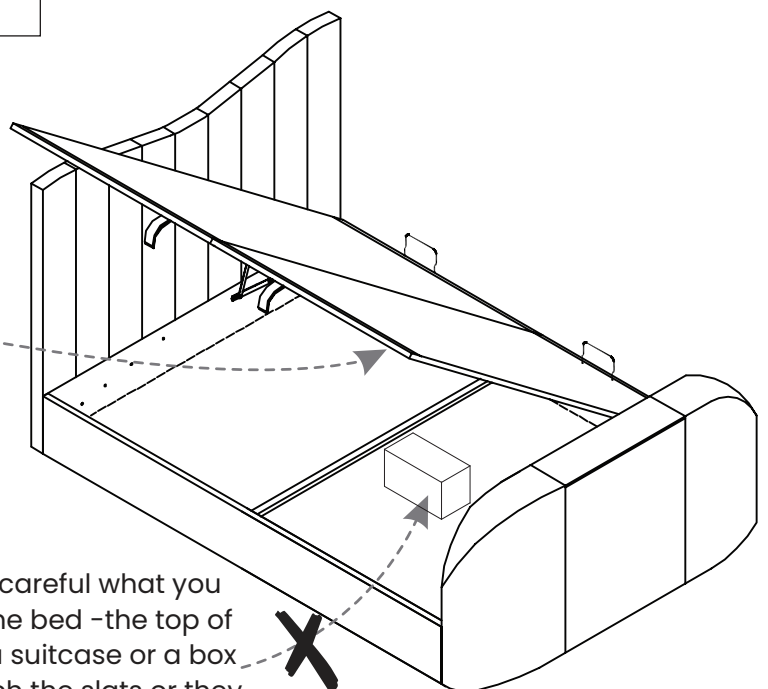
Keep children and pets away from the storage area.

Avoid trapping your fingers by using the handle to lift & lower the base.

Only lift when the mattress is in place.

Ensure the ottoman support bar is secure when the base is open.

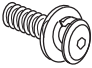

Regularly air internal storage area and contents.



Note: Be very careful what you store under the bed - the top of an item, like a suitcase or a box must not touch the slats or they may be damaged. Maximum storage height is 280mm.

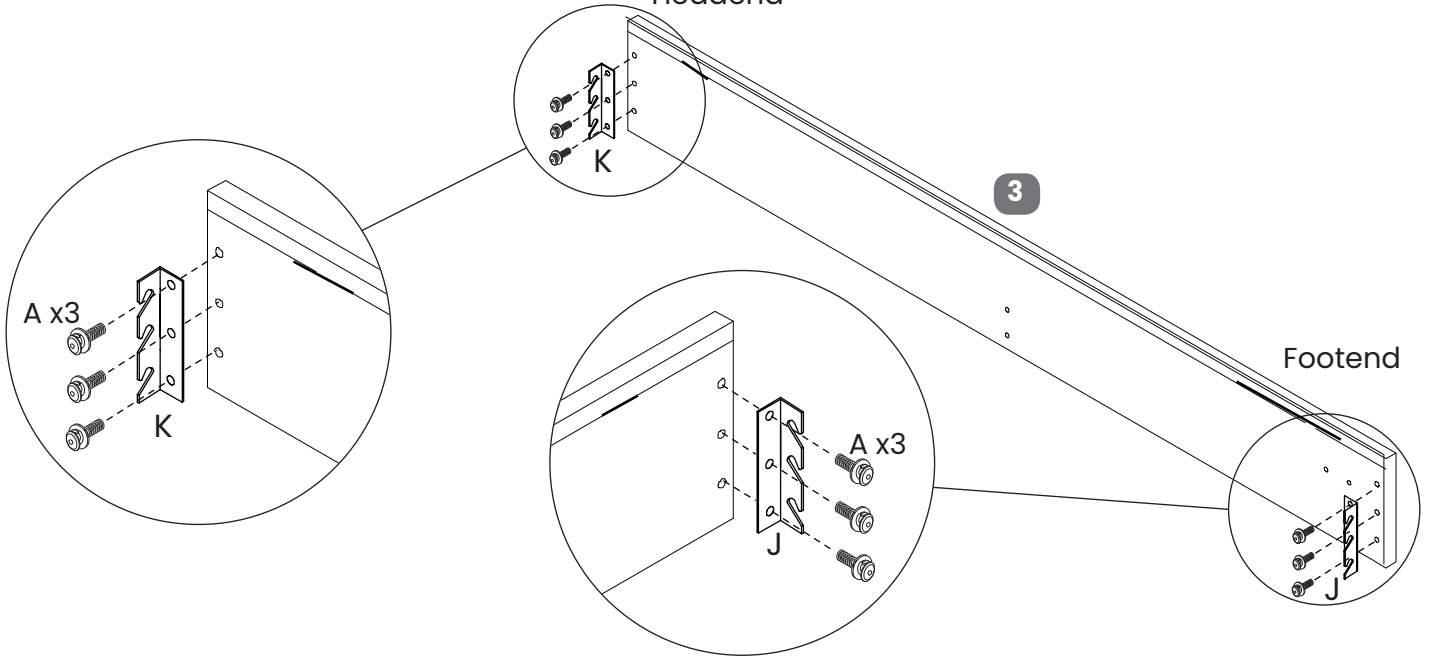
**Step 1:**

**x2**


A	Bolts (M8x20mm)		12 pcs
G	Allen key for M8 bolts		1 pc


J	Hook bracket		2 pcs
K	Hook bracket		2 pcs

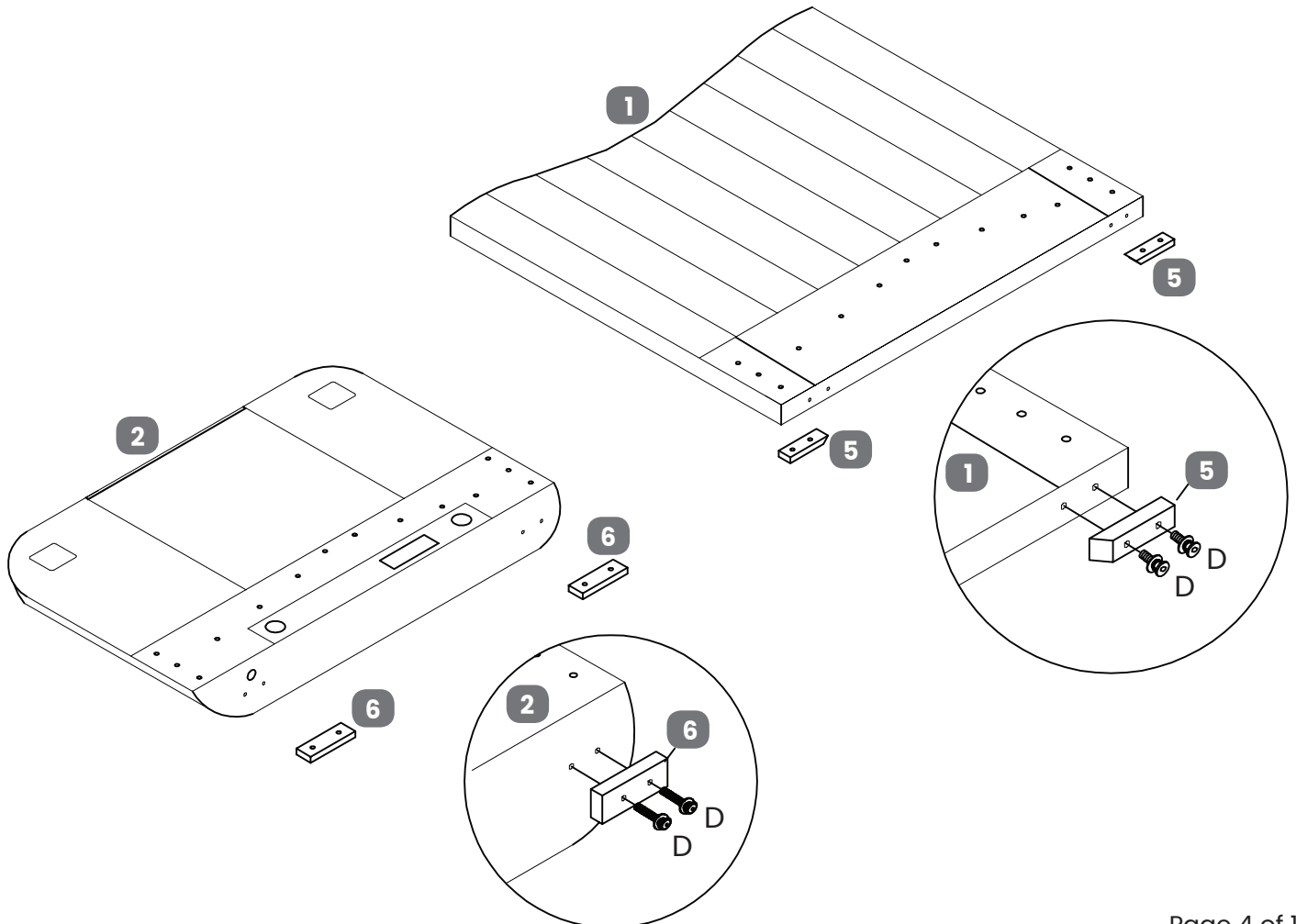
Headend



**Step 2:**

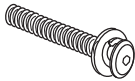
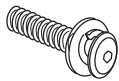

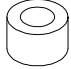
D	Bolts (M6x35mm)		8 pcs
---	-----------------	---	-------

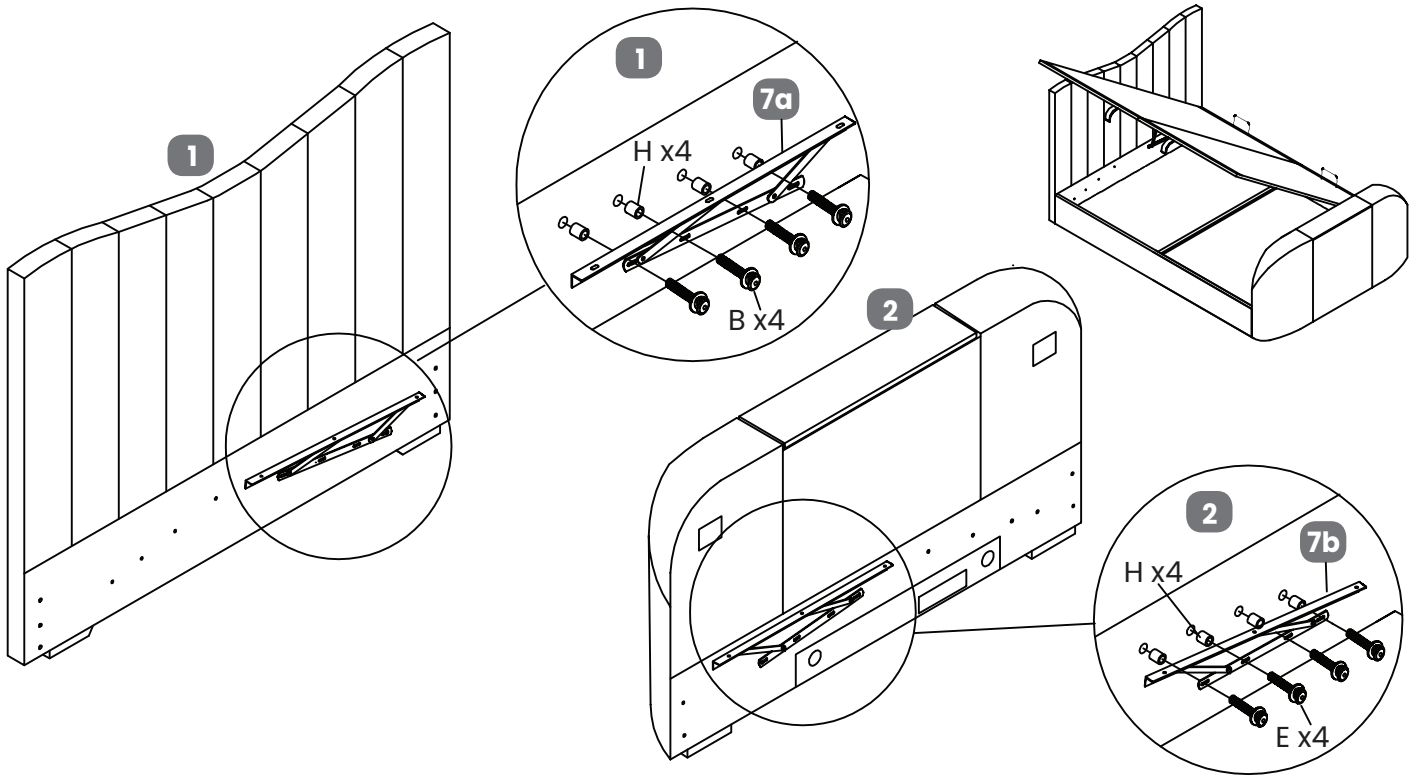
F	Allen key for M6 bolts		1 pc
---	------------------------	---	------



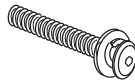
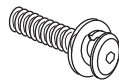

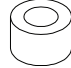
**Step 3a:**

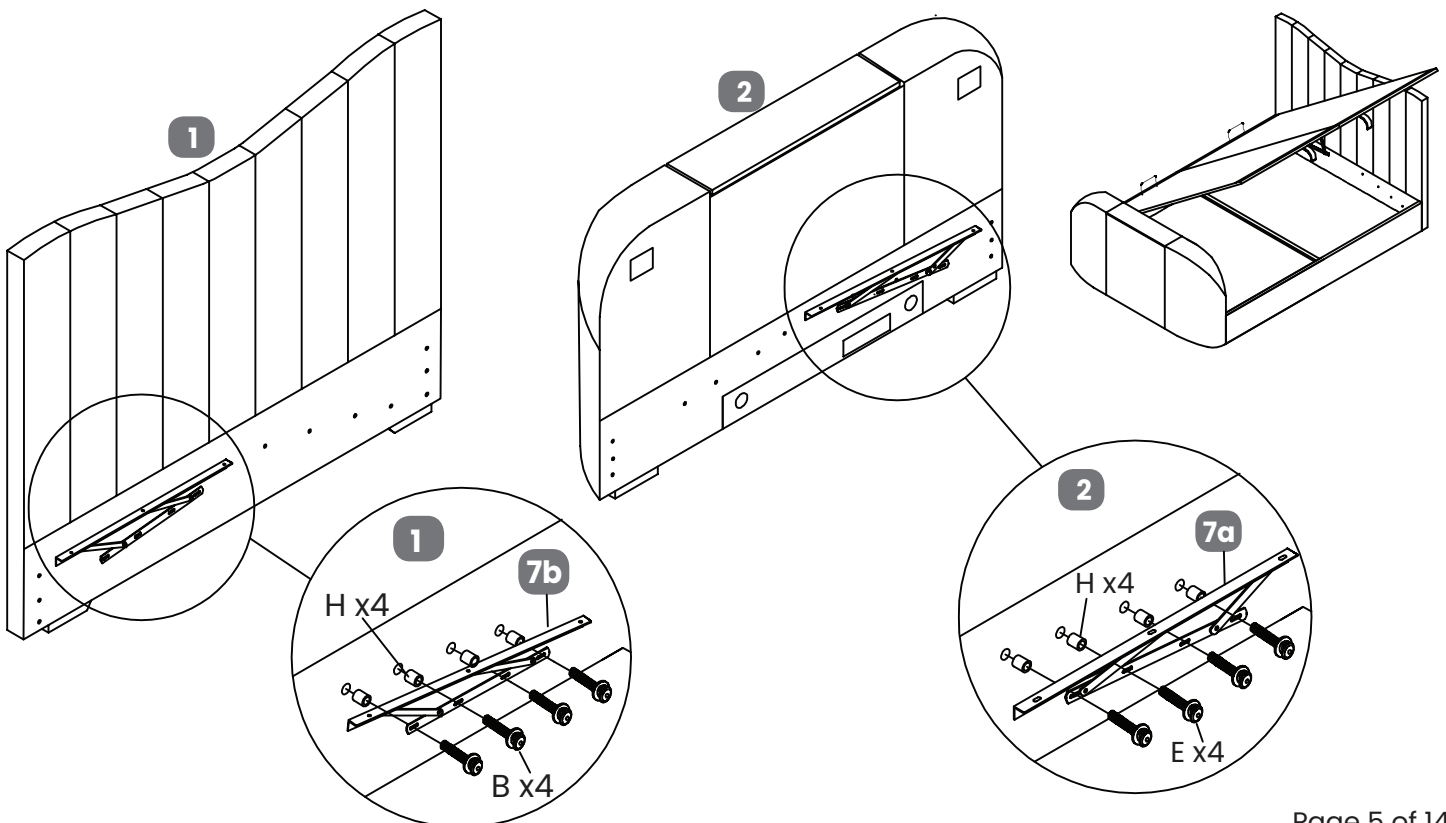
**Note: Please choose which side of the slat-frame to lift up to reach into the storage area then depending which size of bed you have purchased.**

B	Bolts (M8x65mm)		4 pcs	E	Bolts (M8x35mm)		4 pcs
G	Allen key for M8 bolts		1 pc	H	Plastic spacer for lift mechanism (7a & 7b)		8 pcs



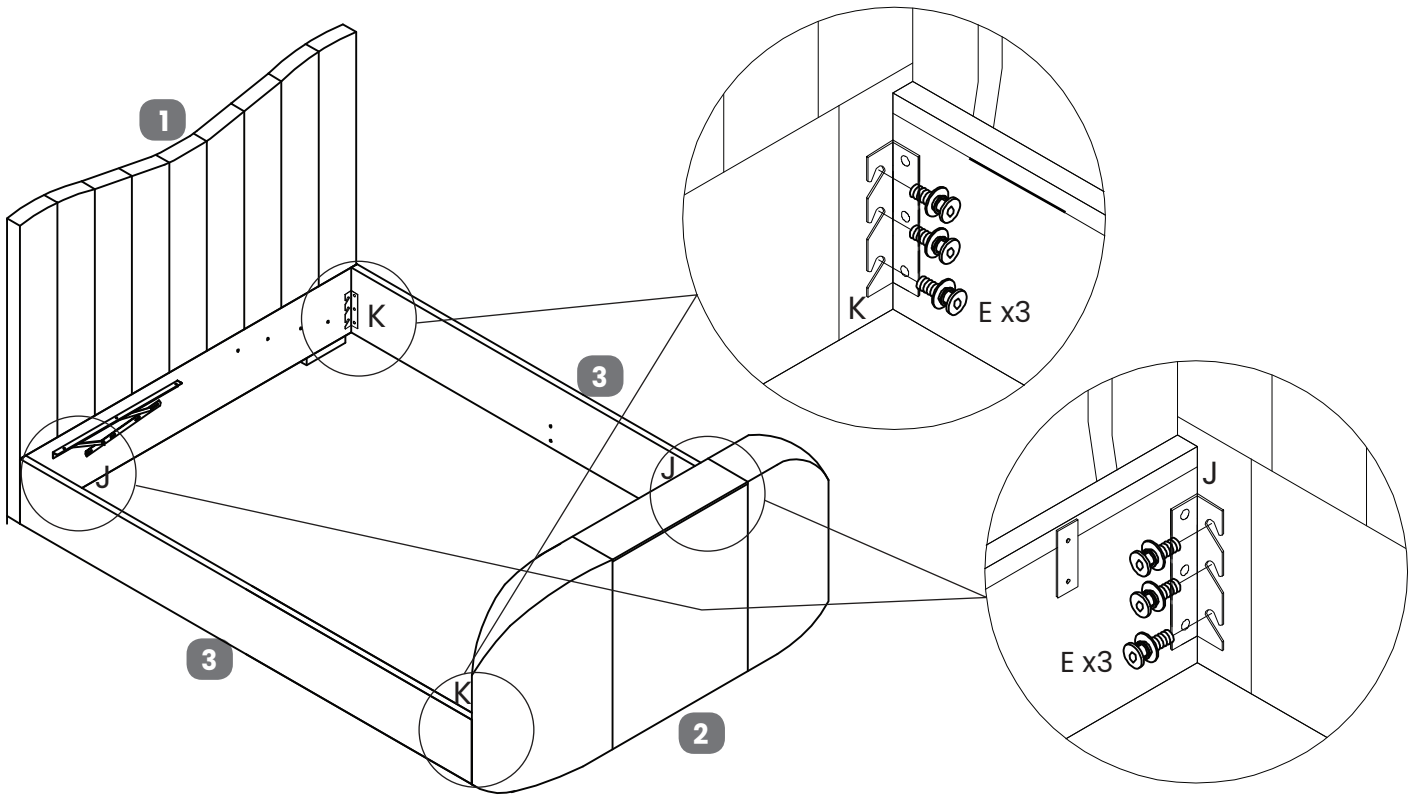
**Step 3b:**

B	Bolts (M8x65mm)		4 pcs	E	Bolts (M8x35mm)		4 pcs
G	Allen key for M8 bolts		1 pc	H	Plastic spacer for lift mechanism (7a & 7b)		8 pcs



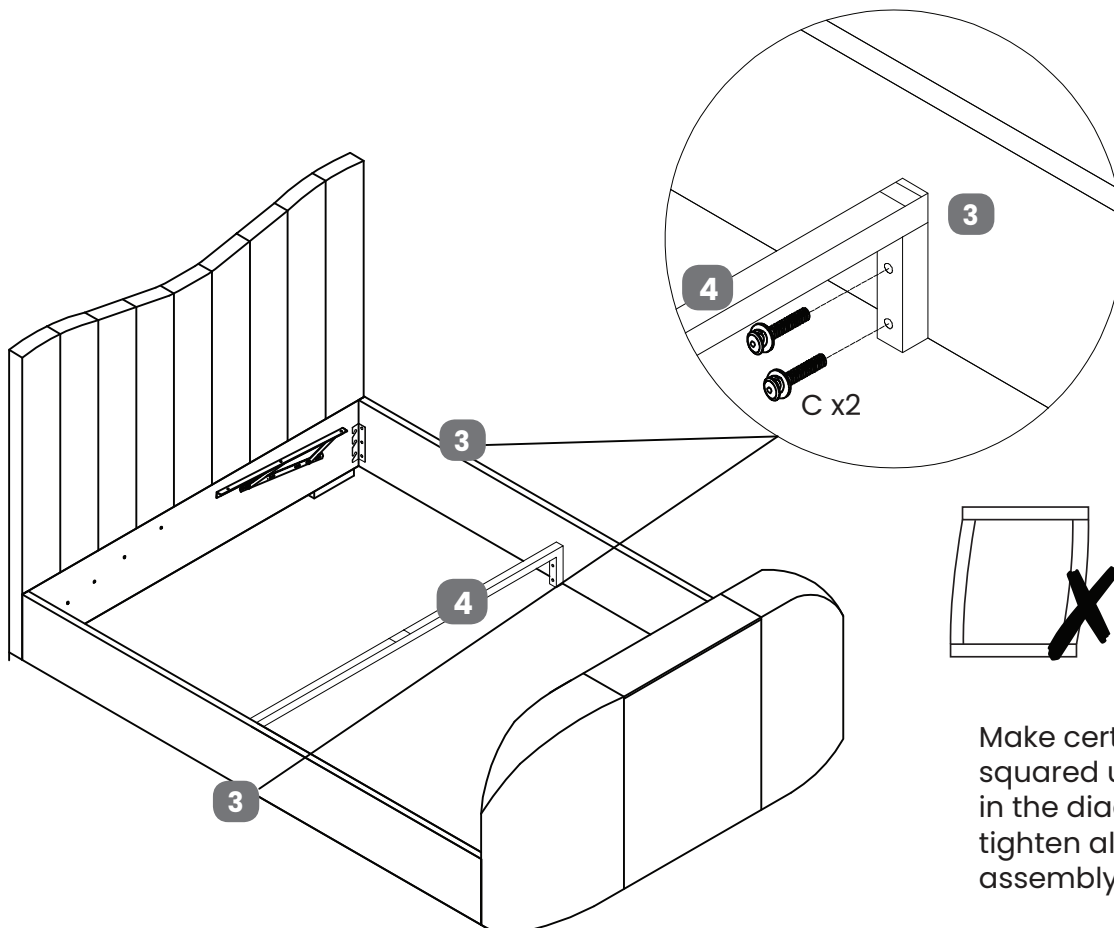
**Step 4:**

E	Bolts (M8x35mm)		12 pcs	G	Allen key for M8 bolts		1 pc
---	-----------------	--	--------	---	------------------------	--	------



**Step 5:**

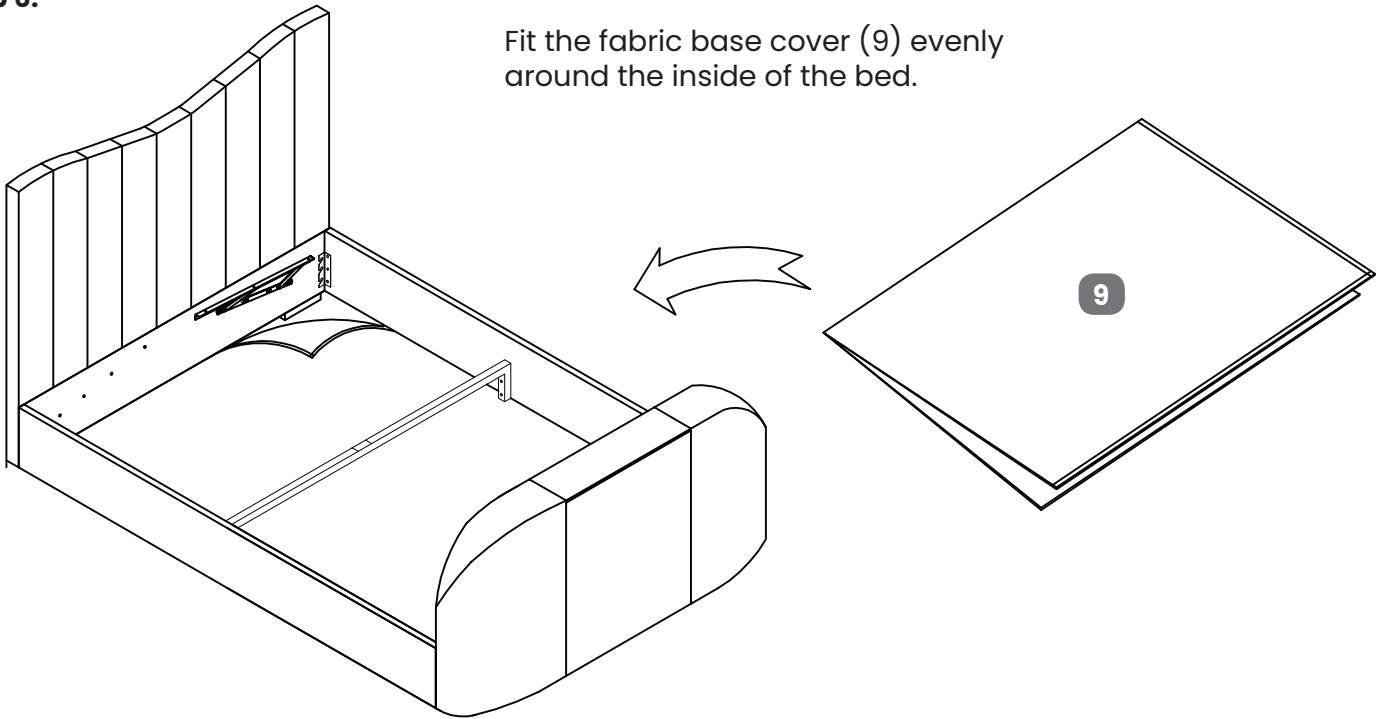
C	Bolts (M8x45mm)		4 pcs	E	Allen key for M8 bolts		1 pc
---	-----------------	---	-------	---	------------------------	---	------



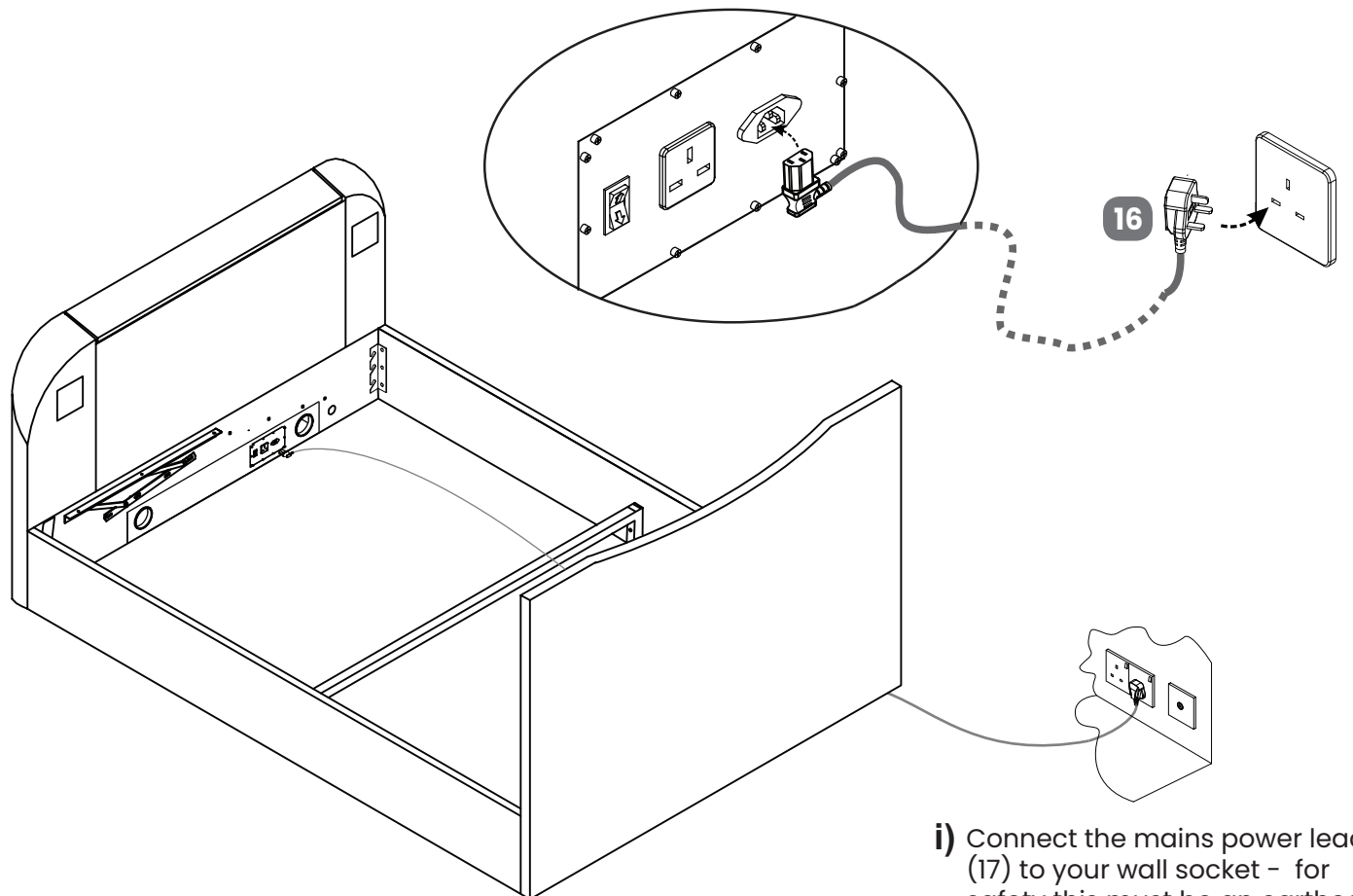
Make certain the bed is squared up as shown in the diagram then tighten all bed assembly bolts 100%.

**Step 6:**

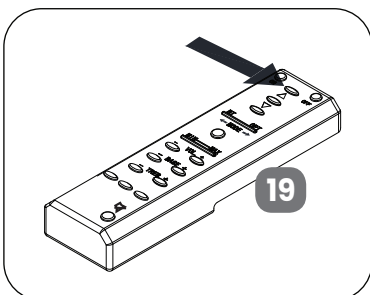
Fit the fabric base cover (9) evenly around the inside of the bed.



**Step 7:**



**i)** Connect the mains power lead (17) to your wall socket - for safety this must be an earthed power supply.



**ii)** Press the "UP" button to raise the TV lift.

**Step 11:**

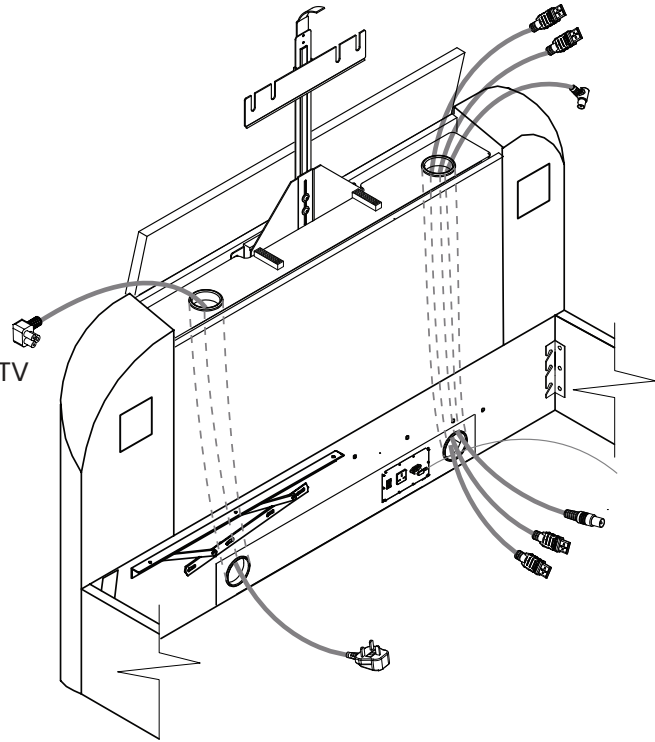
Note: For illustration purposes only, TV connections may vary.

**Tip:**

Before fitting the TV, push cables through each duct from the top choosing the best side to use depending on where the connection ports are on back of your TV.

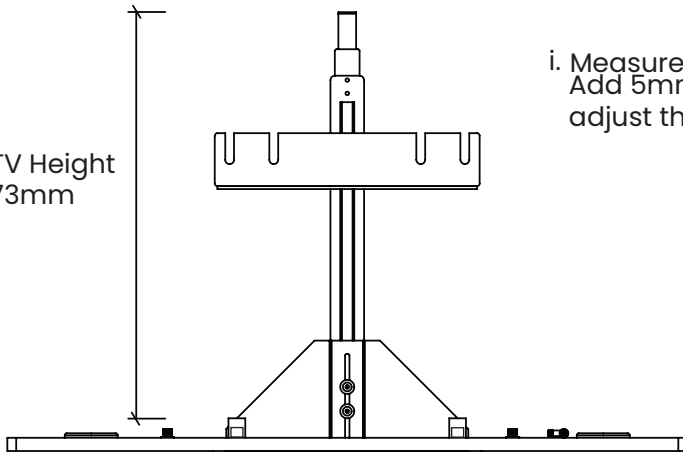
Never cross cables from one side of the footboard to the other unless cable is threaded behind the TV supports, in front of the TV Lift.

TV Power Lead  
supplied with your TV

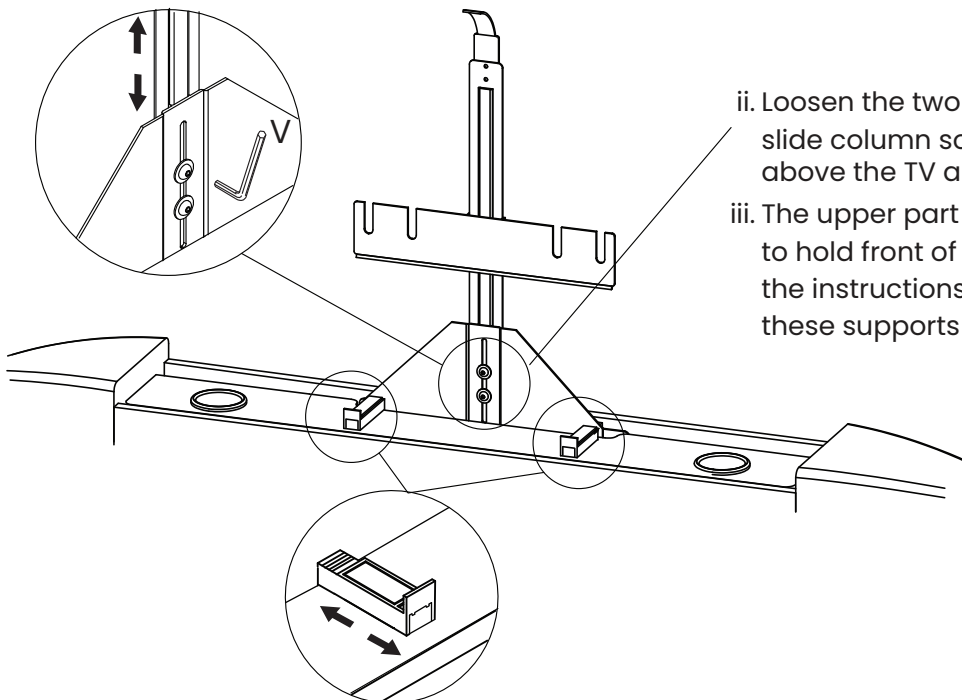
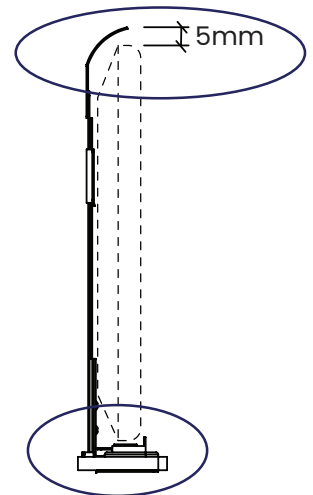
**Step 12:**

Height of TV is normally pre-set – follow this guide if it needs to be changed.

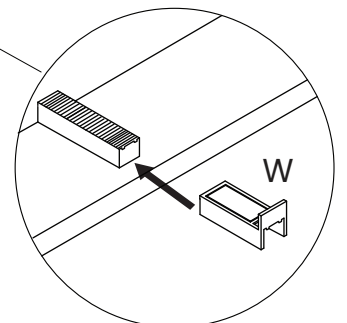
Max TV Height  
573mm



- i. Measure the height of the TV. Add 5mm to it's height then adjust the column to suit.



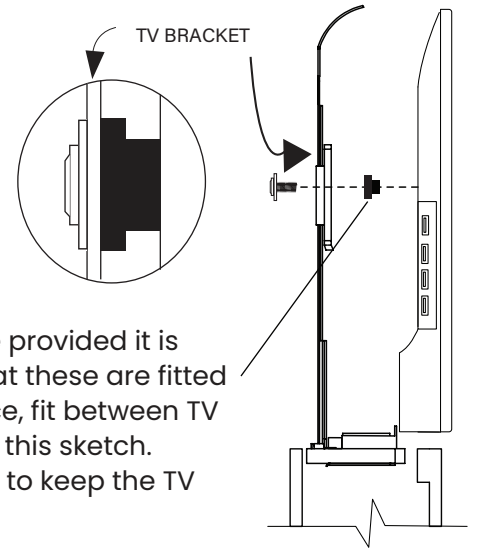
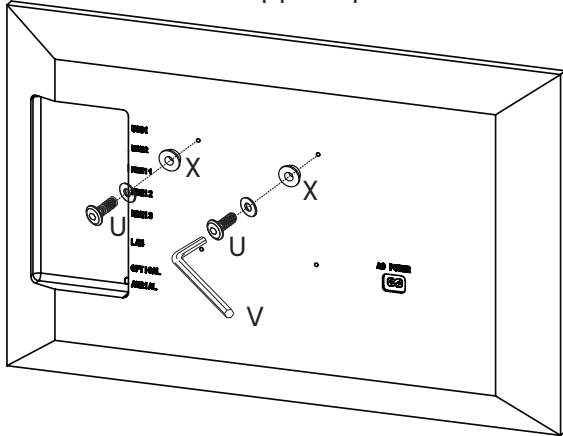
- ii. Loosen the two column adjustment bolts, slide column so curved lid lifter is just above the TV and re-tighten the two bolts.  
iii. The upper part of each support (W) slides to hold front of TV in place. Please follow the instructions on how to correctly set these supports in Step 14 iii.





**Step 13:** If the TV is supplied with Vesa bolts and spacers, please use those in preference to those provided

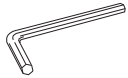
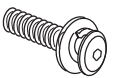
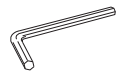
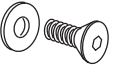
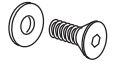

- i. Check the hardware supplied with the television and if Vesa bolts and spacers are supplied please use these to fit the TV.



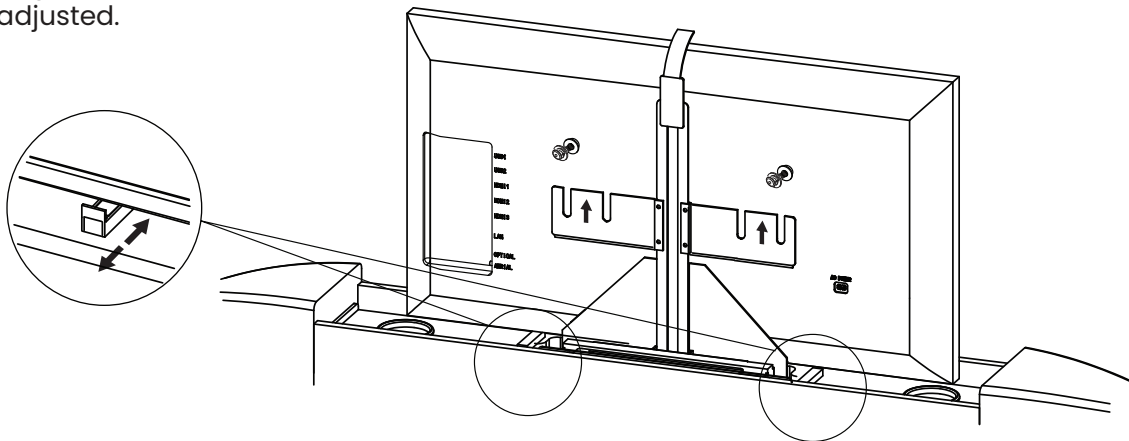
- ii. When spacers are provided it is very important that these are fitted in the correct place, fit between TV & TV bracket as in this sketch. These are needed to keep the TV screen vertical.

**Step 14:**

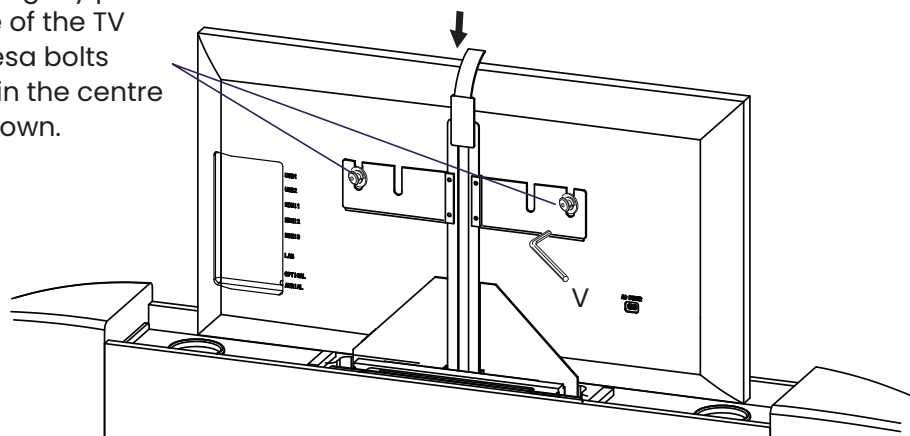
**If hardware is not supplied with the TV, choose suitable fittings from the TV Kit**

V	Allen key (4mm)		1 pc	U	Bolt set M8 x 25mm		2 pcs
	Allen key (2.5mm)		1 pc		Counter-sunk screw set (M6x12mm)		2 pcs
					Counter-sunk screw set (M4x12mm)		2 pcs
				X	Spacer for fitting to rear of the TV. If no spacers are supplied with the TV itself, please use these two marked (X) making sure the bolt length is correct. Fit them in the position shown in Step 11 part ii. It is important to fit them to allow more clearance for the TV hinge system.		2 pcs

- iii. To adjust the two TV supports (W), stand the TV in position and loosely secure it to the bracket using the hardware supplied. Each slider should be set to just touch the front bezel. To make sliding each support easier, lift the TV slightly, above the support being adjusted.



- iv. Once supports are set, lightly push down in the top centre of the TV and tighten the two Vesa bolts 100%, these should be in the centre of the long holes as shown.

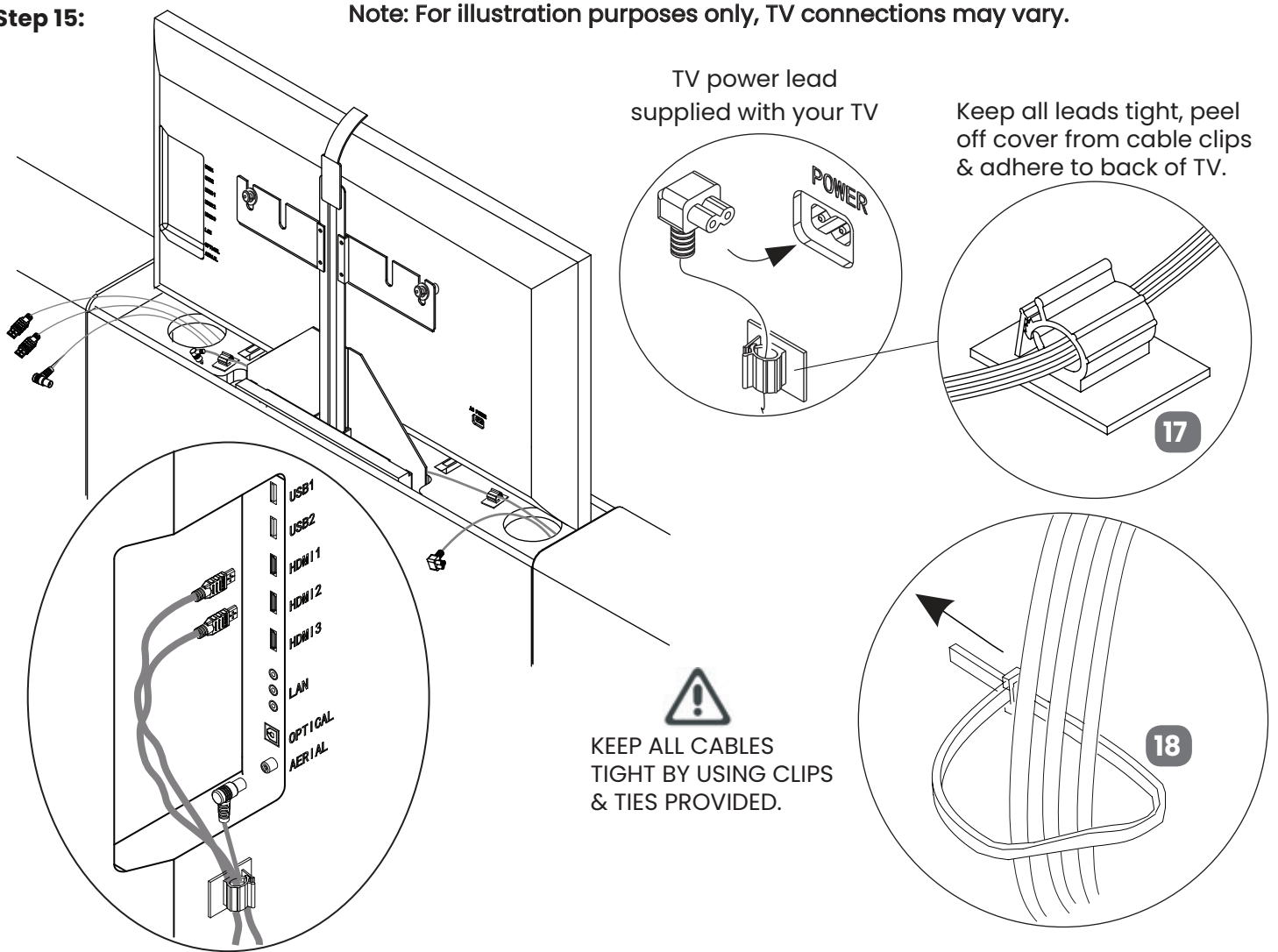


**Step 15:**

**Note:** For illustration purposes only, TV connections may vary.

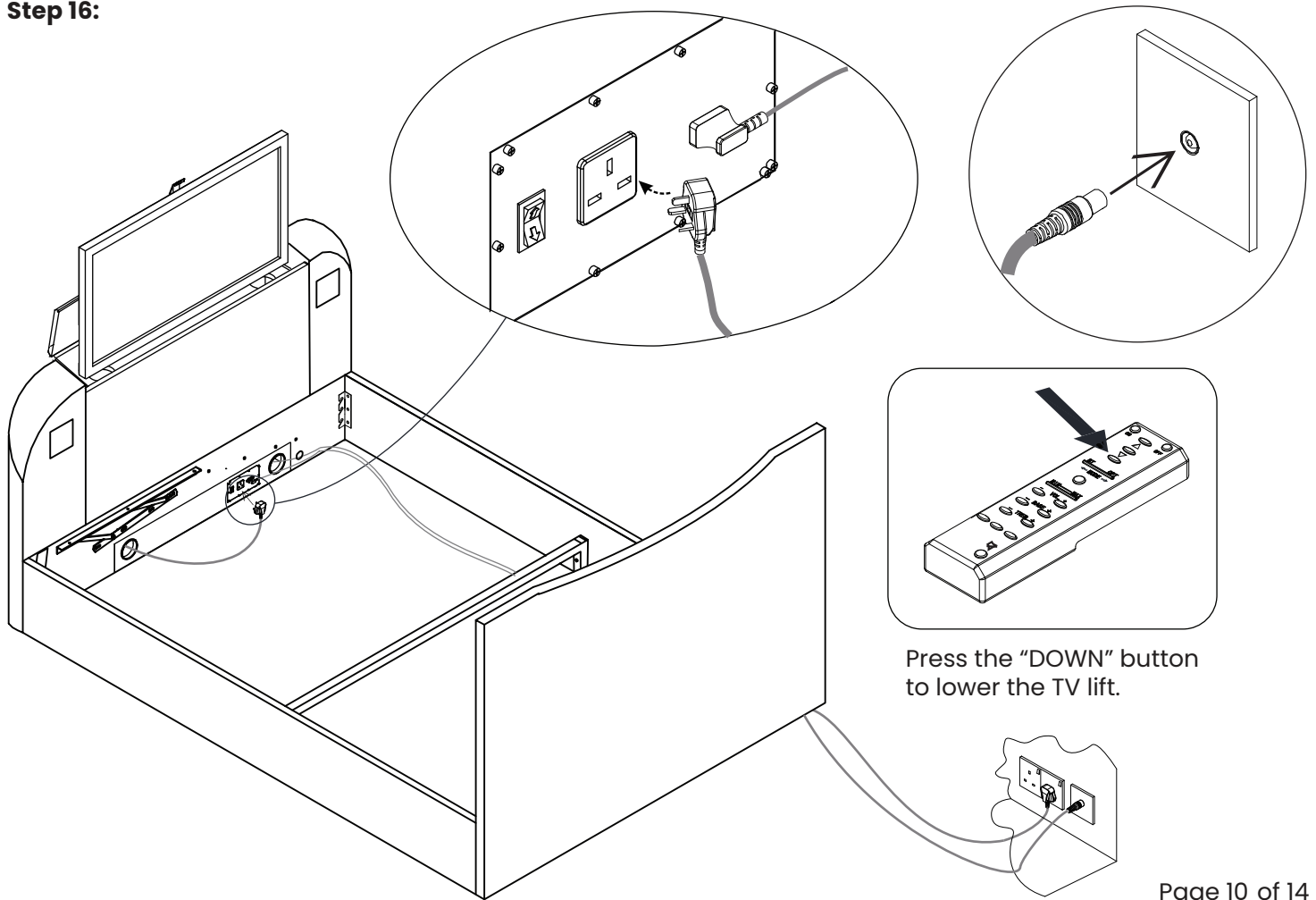
TV power lead  
supplied with your TV

Keep all leads tight, peel  
off cover from cable clips  
& adhere to back of TV.



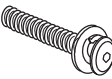

**!**  
KEEP ALL CABLES  
TIGHT BY USING CLIPS  
& TIES PROVIDED.

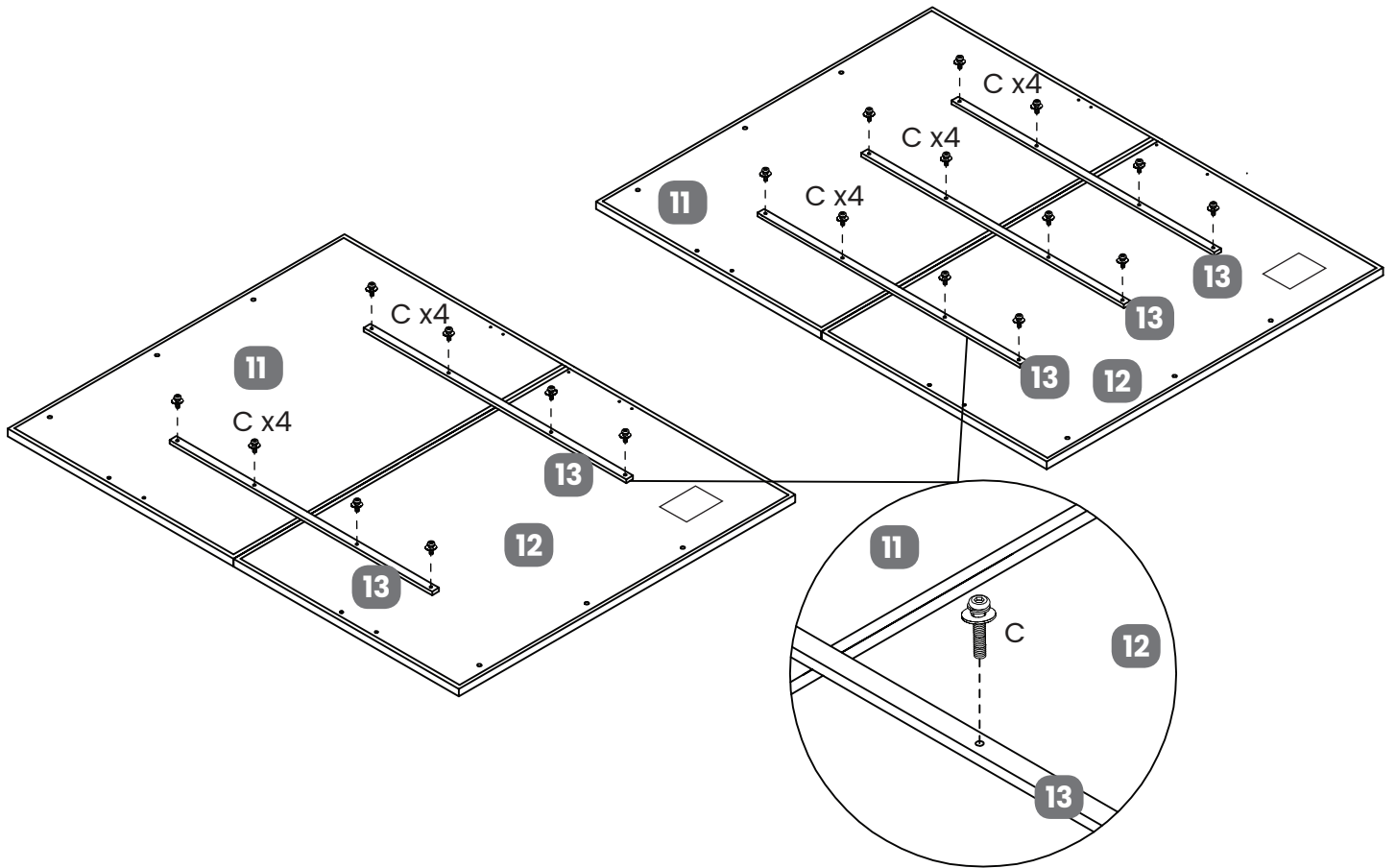
**Step 16:**



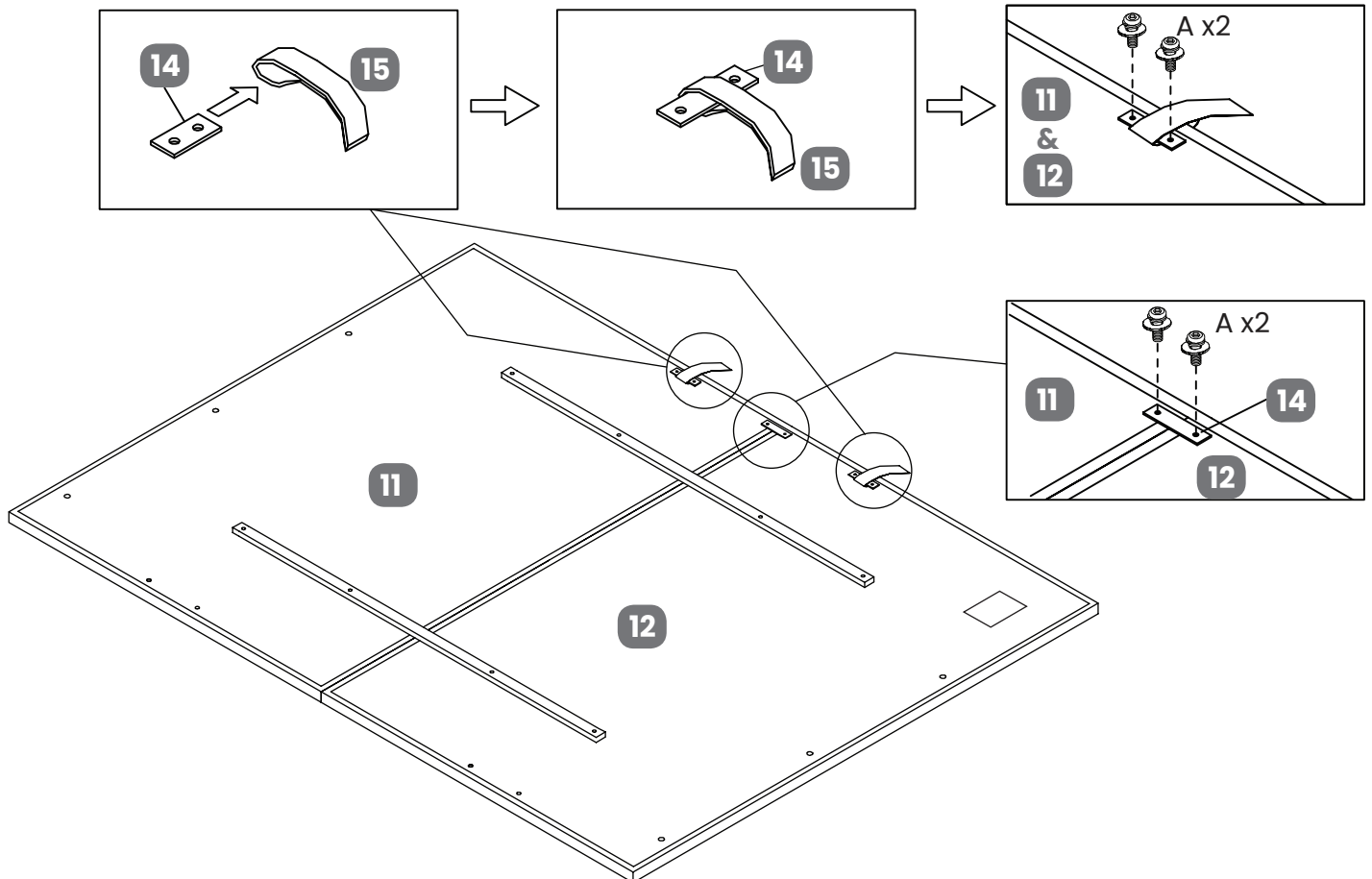
Press the "DOWN" button  
to lower the TV lift.

**Step 15:**

C	Bolts (M8x45mm)		Double & King	8 pcs	G	Allen key for M8 bolts		1 pc
		Super King	12 pcs					

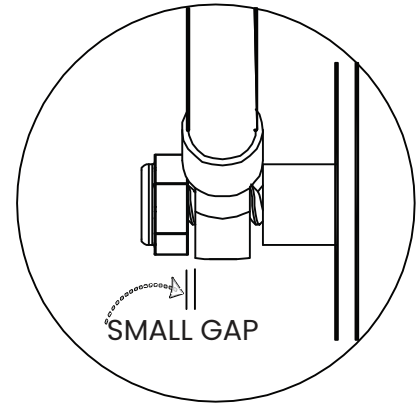
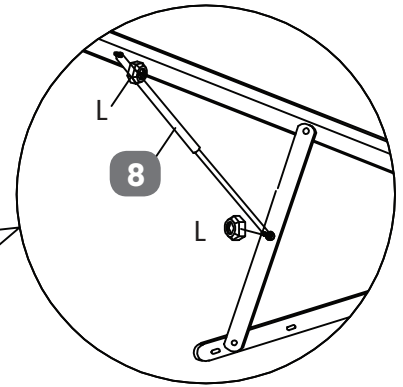
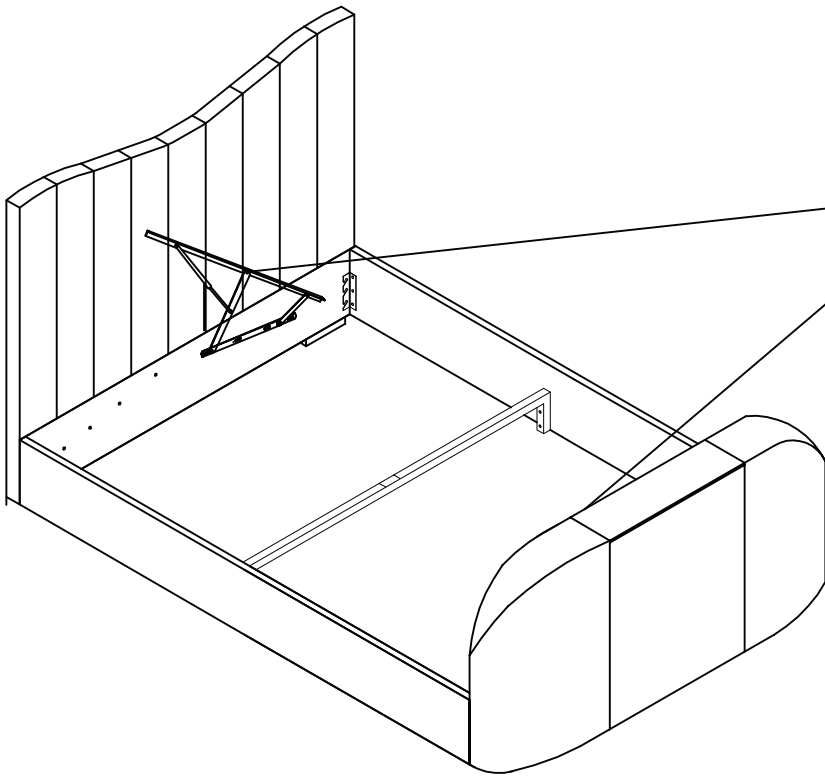
**Step 16:**

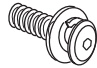

A	Bolts (M8x20mm)		6 pcs	G	Allen key for M8 bolts		1 pc

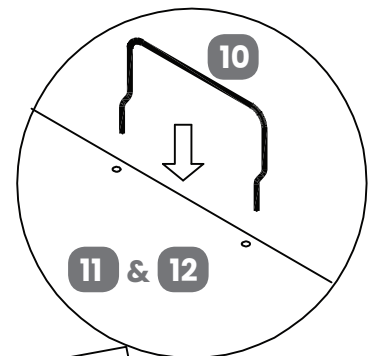
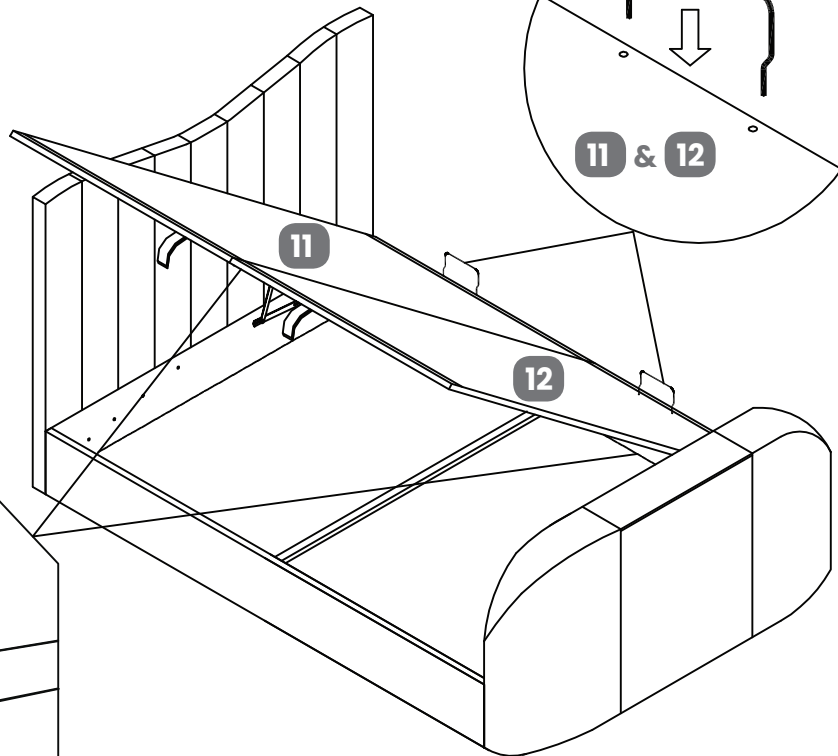
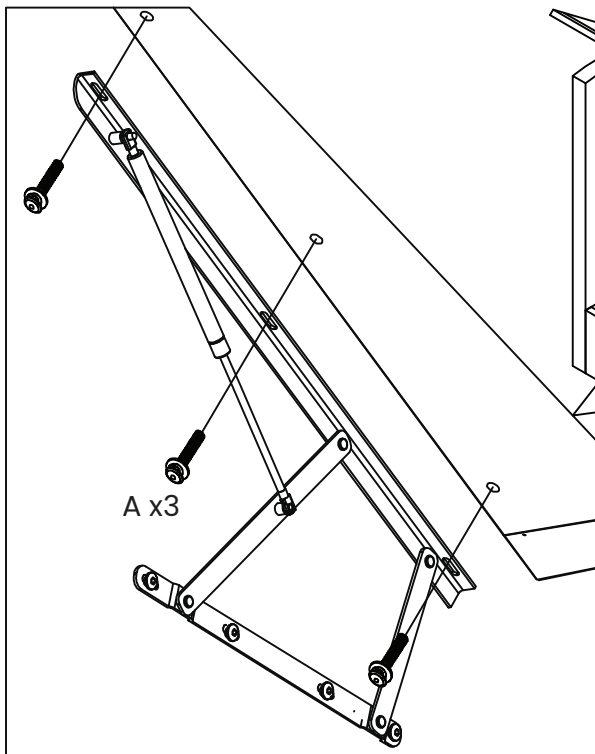


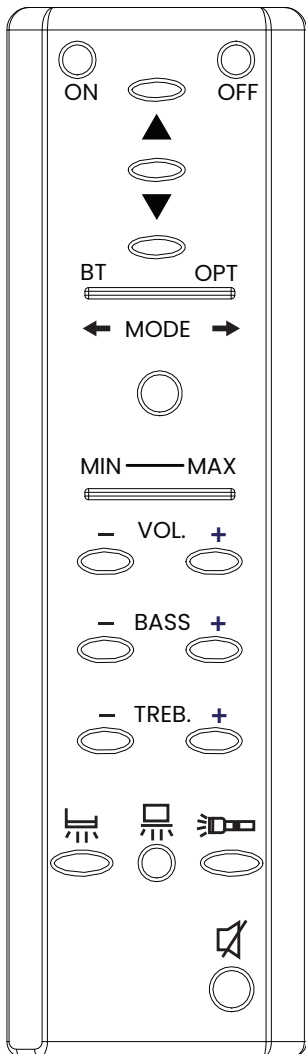
**Step 15:**

L	Flanged M8 lock-nuts for gas-lift piston		4 pcs	M	Spanner for flanged M8 lock-nuts		1 pc
---	--	--	-------	---	----------------------------------	--	------

**Step 16:**

A	Bolts (M8x20mm)		6 pcs	G	Allen key for M8 bolts		1 pc
---	-----------------	---	-------	---	------------------------	---	------





TURN AMPLIFIER ON or OFF.



- 1) Turn on the mains power to the TV Bed.
- 2) Press the Remote Control (RC) ON button for 2 seconds to synchronise and prepare the system, system voice shall say 'Power On'.
- 3) When finished press the OFF button for 2 seconds.

LIFT or LOWER THE TV.



Press once and TV will rise to it's upper working position. Power to the TV will be connected automatically - operate the TV using it's Operation Guide.

Press once and TV Lift will stop.

Press once and TV will go down - as soon as the lower resting position is reached power to the TV is switched off to prevent it overheating.

NOTE: BLUETOOTH WILL WORK NORMALLY WHEN TV IS UP OR DOWN.

SELECT OPTICAL or BLUETOOTH MODE.



Select the required mode by pressing OPT (Optical) to watch TV

or

Select BT (Bluetooth) to connect to your smart device to play music.

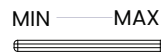
Pair your device in the normal way searching for -- 'MY BT'.

Two devices can pair with the system but each will need to disconnect to allow the other to connect.

If device previously connected, system will immediately say PAIRED.

If not previously connected, system shall say PAIRING.

Note you cannot play films through the system from any BT device.



The same blue LED light bar is used to show steps for all the following controls: VOLUME, BASS & TREBLE.

VOLUME CONTROL



Use --- + or - --- button to increase or decrease the volume.

Note that this control operates step by step and as it is adjusted, the blue LED light bar follows each step until full volume is reached, then the blue lights are all on.

BASS CONTROL



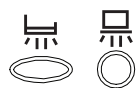
Adjust the Bass attenuation - these buttons increase or decrease the lower frequencies of the sound.

TREBLE CONTROL



Adjust the Treble attenuation - these buttons increase or decrease the higher frequencies of the sound until the preferred sound level is achieved.

Note: if higher frequency sound is reduced, the volume of the sound appears to be reduced too - this is normal.



These buttons are to control the lights when fitted - they are not fitted in this version of your TV Bed.



This button switches on the torch.



MUTE

This button turns the sound off and back on again.

## Technical Specifications

### Overall Dimensions (LWH mm)

Double : 2200 x 1380 x 1300

King: 2300 x 1530 x 1300

Super King: 2300 x 1830 x 1300

### Internal Dimensions (LWH mm)

Double: 1900 x 1330 x 280

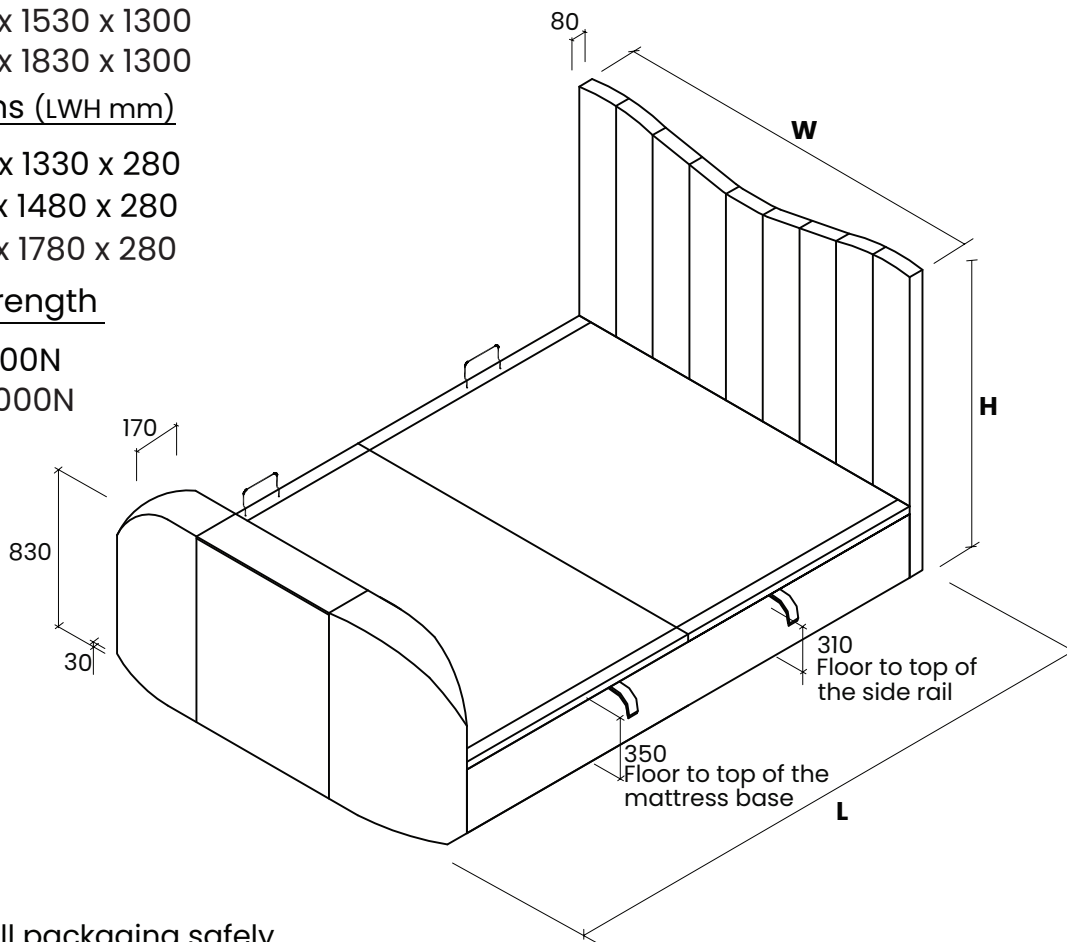
King : 2030 x 1480 x 280

Super King: 2030 x 1780 x 280

### Ottoman Piston Strength

Double & King: 900N

Super King: 1000N



Please dispose of all packaging safely.

## General Care & Maintenance

Wipe clean with a slightly damp cloth.

Avoid the use of all household cleaners and abrasives.

Periodically check all screw & fixings to ensure they are secure.

When moving your product, carefully lift into place. Never drag or push the product across the floor as this will cause damage to the joints. If the product is used on hard flooring, such as wood or laminated floor, you must place some protection under the legs to stop the product from moving. If this is not adhered to, it could result in failure to the product that will invalidate the warranty.

For more information on cleaning and product care visit:

<https://www.happybeds.co.uk/help-and-advice>

## Notes

In the unlikely event that you have problems putting this product together or have damaged or missing parts, please contact us by visiting:

<https://www.happybeds.co.uk/customer-service>