



Assembly Instructions

Palermo Mirrored Dressing Table Stool



Important before assembly:

Read these instructions carefully before assembling or using the product.

Please check the contents of the boxes before attempting to assemble this product. The instructions will have a checklist of parts and fittings.

It would be sensible to lay a rug or a carpet on the floor where you intend to assemble the product, to avoid scratches and damaging the product or the floor.

Assemble the product as close to its intended final location/room as possible.

Do NOT use any power tools as this may damage the frame.

Health & Safety:

This product or some parts of this product will be heavy. Please use an assistant when lifting.

Please keep small parts out of reach of children.

Always use on a level, even surface.

DO NOT jump on the product or any of its parts.

DO NOT use this product if any parts are missing, damaged or worn.

DO NOT use this product unless all fixings are secured.

Please keep these instructions for future reference.



(Not metal)

These tools are not necessary, but may help to assemble certain parts of the product.

Do NOT use any power tools as this may damage the frame.



This product or some parts of this product will be heavy. Please use an assistant when lifting.



Never drag or push the pieces across a hard or stone floor as this will cause damage to the joints. Use a carpet or a rug for extra care.



If you have problems assembling or have damaged or missing pieces, please contact us by visiting:

<https://www.happybeds.co.uk/customer-service>



ASSEMBLY INSTRUCTIONS

Palermo Stool

IMPORTANT: READ THESE INSTRUCTIONS CAREFULLY BEFORE ASSEMBLING OR USING YOUR PALERMO STOOL.

PLEASE KEEP THESE INSTRUCTIONS FOR FUTURE REFERENCE.

HEALTH & SAFETY:

DO NOT jump on this stool.

DO NOT use this stool if any parts are missing, damaged or worn.

DO NOT use this stool unless all fixings are secured.

Always use on a level, even surface.

WARNING: If this item is placed on a non-carpeted floor you must place some protection under all legs to stop the stool from moving. If this is not adhered to there is no guarantee if the stool collapses.

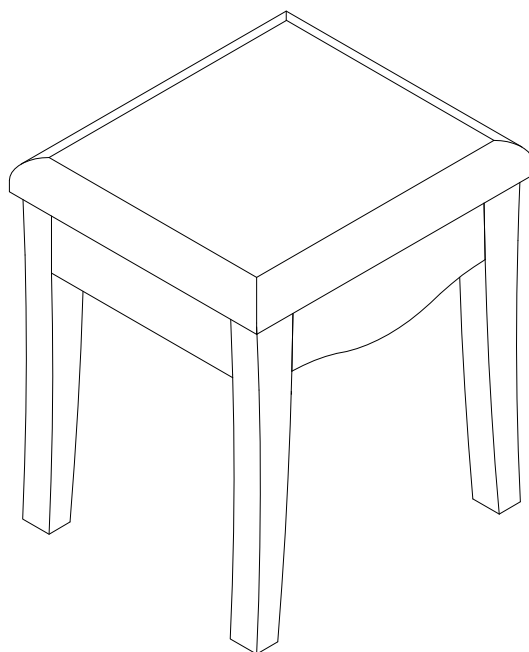
CARE & MAINTENANCE:

Periodically check all screws & fixings to ensure they are secure.

DO NOT push the stool as this will damage the legs.

Always lift the stool to reposition.

Keep any sharp objects away from the stool

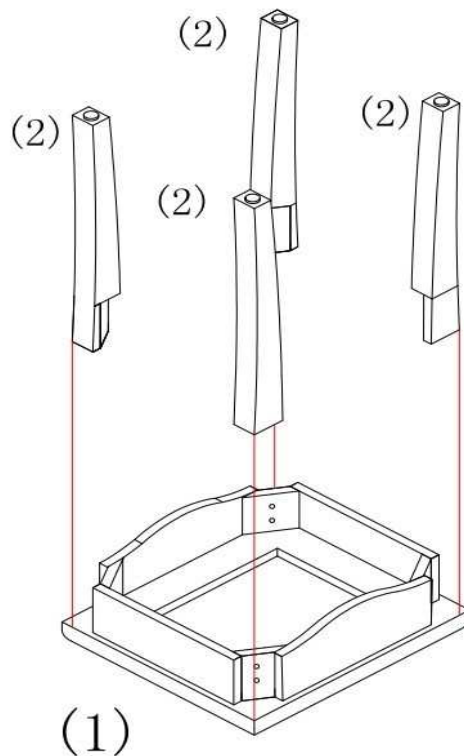


Parts

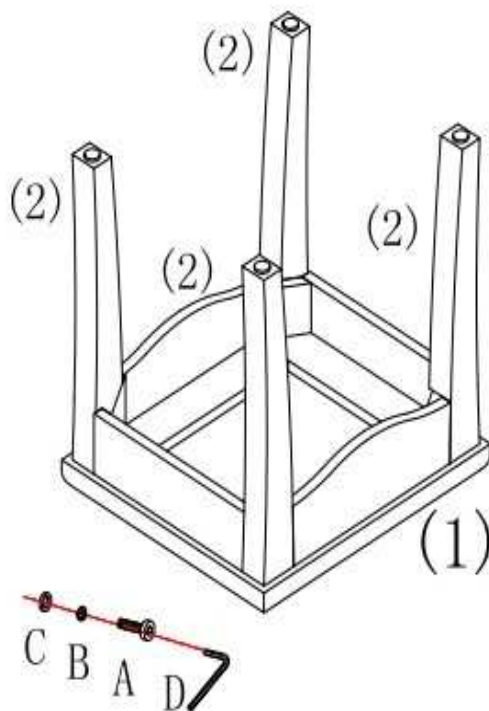
Fittings

	A M8 x 8pcs
	B spring washer x 8pcs
	C washer x8pcs
	D 6mm Allen key × 1PCS

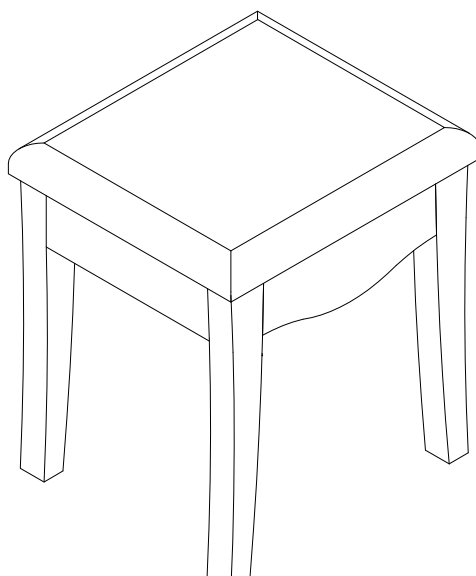
Step 1: place cushion (1) upside down on carpet, insert legs (2) in slots on cushion, ensure the holes are lined up.



Step 2: Using Bolt (A), Spring washer (B), Washer (C), and tighten with Allen Key (D).



Step 3: Product is assembled and ready for use



Please dispose of all packaging safely.

General Care & Maintenance

Wipe clean with a slightly damp cloth.
Avoid the use of all household cleaners and abrasives.

Periodically check all screw & fixings to ensure they are secure.
When moving your product, carefully lift into place. Never drag or push the pieces across the floor as this will cause damage to the joints and could result in failure to the product that will invalidate the warranty.

For more information on cleaning and product care visit:
<https://www.happybeds.co.uk/help-and-advice>

Notes

We've tried to make this product as easy to assemble as possible. In the unlikely event that you have problems putting it together or have damaged or missing pieces, please contact us by visiting:

<https://www.happybeds.co.uk/customer-service>



www.happybeds.co.uk

