



Assembly Instructions

PARIS Ottoman TV Bed



Important before assembly:

Read these instructions carefully before assembling or using the product.

Please check the contents of the boxes before attempting to assemble this product. The instructions will have a checklist of parts and fittings.

It would be sensible to lay a rug or a carpet on the floor where you intend to assemble the product, to avoid scratches and damaging the product or the floor.

Assemble the product as close to its intended final location/room as possible.

Do NOT use any power tools as this may damage the frame.

Health & Safety:

This product or some parts of this product will be heavy. Please use an assistant when lifting.

Please keep small parts out of reach of children.

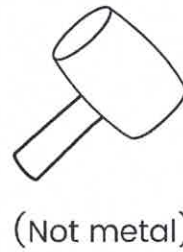
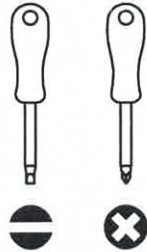
Always use on a level, even surface.

DO NOT jump on the product or any of its parts.

DO NOT use this product if any parts are missing, damaged or worn.

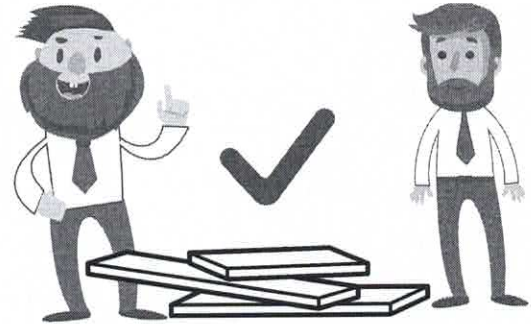
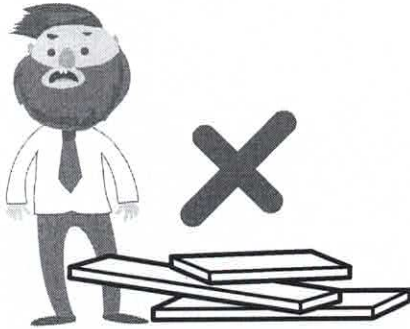
DO NOT use this product unless all fixings are secured.

Please keep these instructions for future reference.

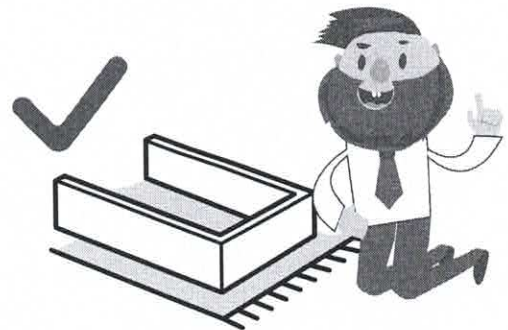
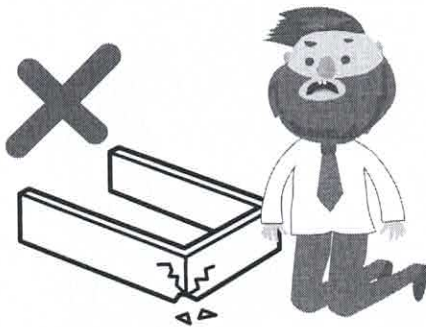


These tools are not necessary, but may help to assemble certain parts of the product.

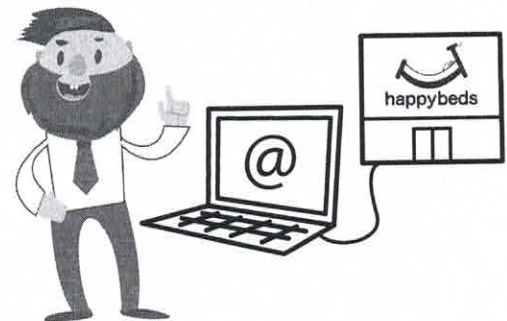
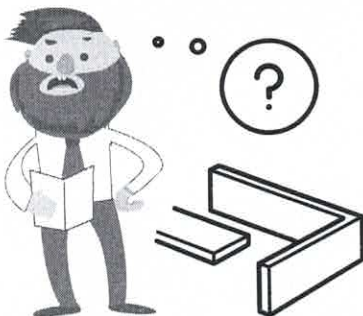
Do NOT use any power tools as this may damage the frame.



This product or some parts of this product will be heavy. Please use an assistant when lifting.



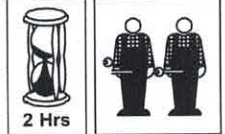
Never drag or push the pieces across a hard or stone floor as this will cause damage to the joints. Use a carpet or a rug for extra care.



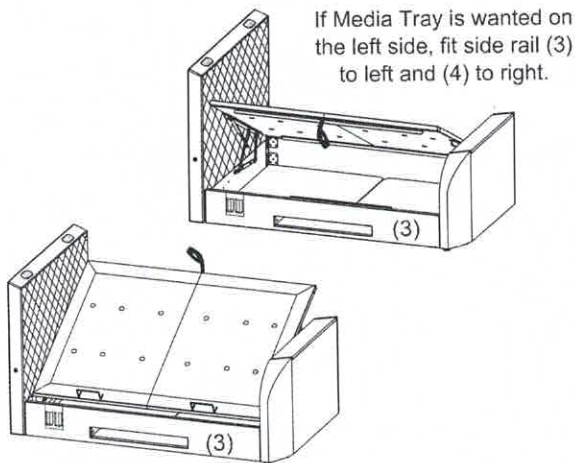
If you have problems assembling or have damaged or missing pieces, please contact us by visiting:

<https://www.happybeds.co.uk/customer-service>

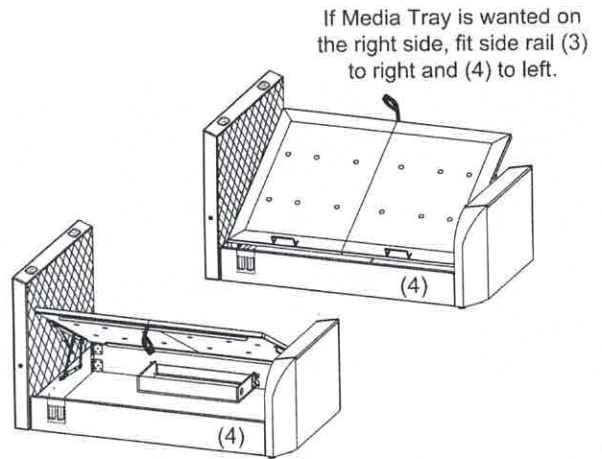
PARIS OTTOMAN TV BED ASSEMBLY INSTRUCTIONS



please keep these instructions for future reference.



If Media Tray is wanted on the left side, fit side rail (3) to left and (4) to right.



If Media Tray is wanted on the right side, fit side rail (3) to right and (4) to left.

Important Information

- We suggest you spend a short time reading through this leaflet and then follow the simple step-by-step instructions.
- Carefully check that you have all the parts before beginning assembly.
- Keep fittings out of children's reach and keep children well away from construction area.

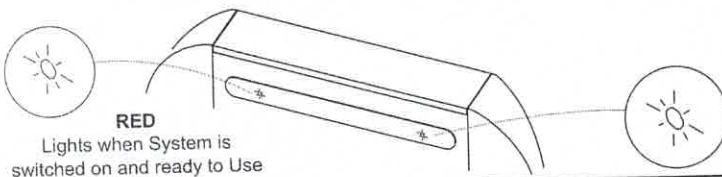
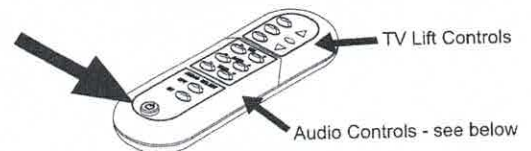


An instructional video of the Operation of the Ottoman Lift Up system is available via YouTube using the following address: https://youtu.be/hyq4zm7h_yU

SOUND SYSTEM CONTROL

To turn system on, press this On/Off button for 3 seconds. At end of watching TV, lower the TV to it's resting position and TV will switch off automatically. Music can still be heard so to switch system off, press On/Off again for 3 seconds.

REMOTE CONTROL FOR AUDIO & TV LIFT

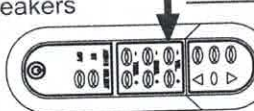


RED
Lights when System is switched on and ready to Use

BLUE
Lights when Bluetooth is Selected.

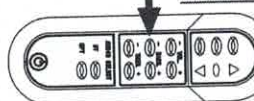
Please note that the headboard speakers are linked to the soundbar so the whole system is controlled by the adjustments to the audio remote.

ADJUST VOLUME



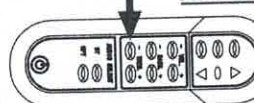
PRESS BUTTON ON REMOTE CONTROL (RC) IN EITHER MODE.
i) SELECT BT; PLEASE RAISE VOLUME ON DEVICE TO HIGH LEVEL THEN ADJUST RC.
ii) SELECT OPTICAL; PLEASE MUTE TV SPEAKERS FOR BEST RESULTS.
ONE MAY OCCASIONALLY NEED TO ADJUST TV SETTINGS FOR EXTERNAL SPEAKERS, THIS DEPENDS ON THE MAKE OF TV, PLEASE CHECK THE TV USER GUIDE.

ADJUST BASS - THIS BUTTON LIMITS LOWER FREQUENCIES OF THE SOUND



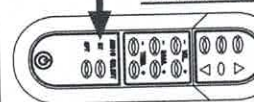
ADJUST BASS ATTENUATION TO SUIT THE SOUND EFFECT YOU LIKE

ADJUST TREBLE - THIS BUTTON LIMITS HIGH FREQUENCIES OF THE SOUND



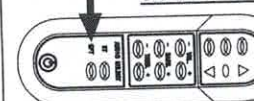
ADJUST TREBLE ATTENUATION TO SUIT THE SOUND EFFECT YOU LIKE. NOTE IF YOU REDUCE LEVEL OF THE HIGHER FREQUENCIES, SOUND VOLUME IS REDUCED - THIS IS NORMAL.

SELECT BT (BLUETOOTH) - DEVICE INPUT - TO PAIR LOOK FOR "BT SPEAKER"



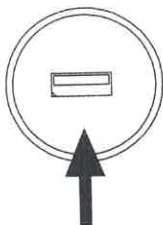
NOTE THAT IF TV IS IN THE UP POSITION AND SWITCHED ON, TV PICTURE IS SHOWING, IT IS NOT SWITCHED OFF WHEN BLUETOOTH IS SELECTED. TO REMOVE PICTURE, TURN OFF TV OR PRESS THE DOWN BUTTON TO LOWER TV TO THE REST POSITION WHERE FOR SAFETY, POWER TO TV IS DISCONNECTED AUTOMATICALLY - BT MUSIC CAN STILL PLAY THOUGH.

SELECT OPT (OPTICAL) SOUND OUTPUT TO TV



WHEN FINISHED WATCHING TV, PRESS RC DOWN BUTTON TO SEND TV BACK DOWN TO REST POSITION, TV SWITCHES OFF AUTOMATICALLY. PRESS ON/OFF FOR THREE SECONDS TO SWITCH WHOLE SYSTEM OFF.

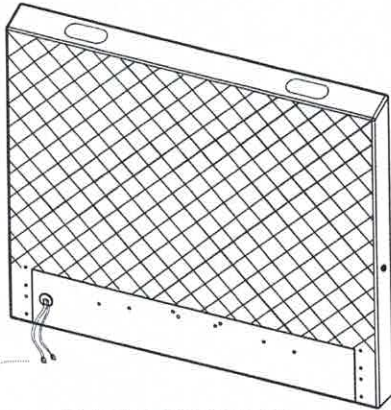
USB CHARGER IS FITTED TO EACH SIDE OF HEADBOARD



USB CHARGING SOCKET
PLUG A STANDARD USB INTO THIS SOCKET TO CHARGE ANY DEVICE
5V 2.1A in Total
NOTE THIS USB IS FOR CHARGING ONLY, CANNOT PLAY MUSIC OR VIDEOS THROUGH THE SYSTEM.

CARTON 1 - HEADBOARD

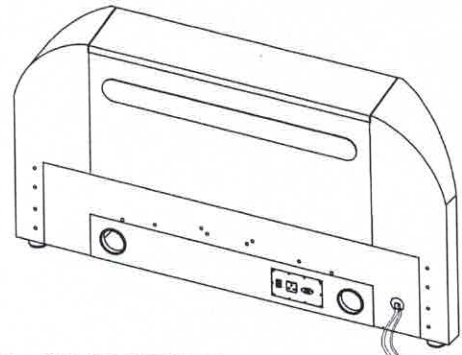
(1) Headboard



HEADEND CONNECTIONS FOR SPEAKERS & USB CABLES (P1 & P2)

CARTON 2 - FOOTBOARD

(2) Footboard



FOOTEND CONNECTIONS FOR SPEAKERS & USB CABLES (P1 & P2)

The following items are in an accessory box, inside the TV Compartment, inside Carton 2

Hardware Pack for Bed Assembly

A x16



Bolts M8x30mm for fitting side rails (3&4) to headboard & footboard (1&2)

B x16



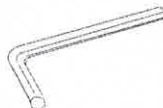
Spring M8 Washers

C x16



Flat M8 Washers

D x1



Allen Key (5mm for M8 bolt)

Hardware Pack for Media Tray Assembly

A x4



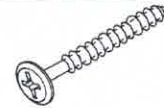
Bolts M8x30mm for fitting Media Tray to side rail (3)

C x4



Flat M8 Washers for fitting Media Tray to side rail (3)

E x11



Screws (5x50mm) for assembling Media Tray panels

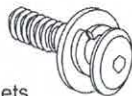
F x11



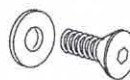
Plastic Barrel Nuts for assembling Media Tray panels

Hardware Pack for TV Installation

a x2



Screw-Washer sets (M8x25mm)
Use 5mm Allen Key (D)

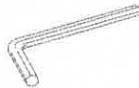


Counter-Sunk Screws (M6x12mm)

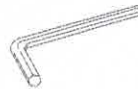


Counter-Sunk Screws (M4x12mm)

b x1



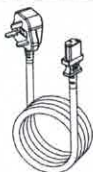
Allen Key (4mm)



Allen Key (2.5mm)

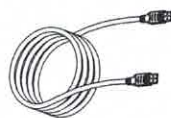
TV Cables & Accessories plus Mattress Base Board Hinges

G x1



Mains Power Lead

H x2



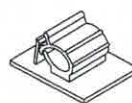
HDMI Leads

J x1



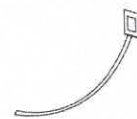
Aerial Lead

K x3



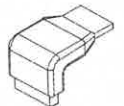
Cable Clips

L x3



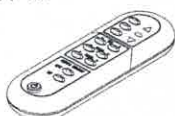
Cable Ties

M x1



HDMI 90° adaptor

N x1



Remote Control
TV Lift_Audio

P1 x1

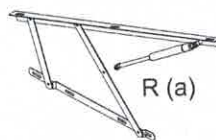


P2 x1

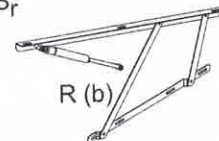


Connection Cables for
USB Charger & Speakers

R x1 Pr



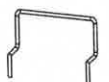
R (a)



R (b)



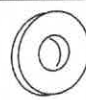


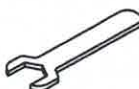
Gas-Lift Mechanisms

U x2



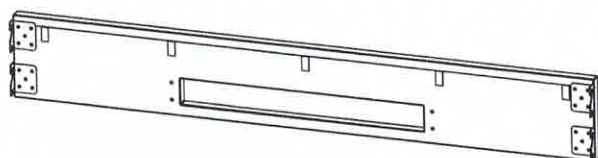
Mattress Stoppers

HARDWARE PACK FOR ASSEMBLY OF OTTOMAN MATTRESS BASE BOARDS

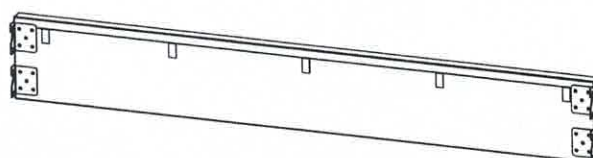
<p>A x26</p>  <p>Bolts M8x30 for fitting gas-lift mechanisms R (a) & R (b) to Headboard & Footboard (1&2).</p> <p>Fitting metal tie rails (5) and gas-lift mechanisms (R) to mattress base boards (13&14).</p>	<p>B x30</p>  <p>Spring Washers for M8 bolts & Mattress Stoppers</p>	<p>C x30</p>  <p>Flat M8 Washers for Bolts (A) & Mattress Stoppers</p>	<p>Q x4</p>  <p>M8 Nuts for Mattress Stoppers</p>
<p>S x2</p>  <p>M8 Flange Lock-Nuts for gas-lift piston stems</p>	<p>T x1</p>  <p>Spanner for M8 nuts</p>		

CARTON 3 - SIDE RAILS

(3) Side Rail - With Media Tray x 1



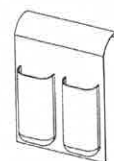
(4) Side Rail - Without Media Tray x 1



(5) Metal Tie Rails for Mattress Base Boards x2

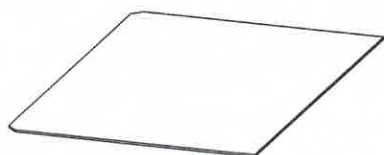


(6) Hand Strap x1

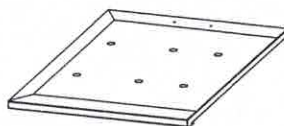


(7) Remote control holster x1

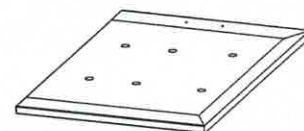
CARTON 4 - OTTOMAN MATTRESS BASES & STORAGE BASE BOARDS



(12) Storage Base Boards x2



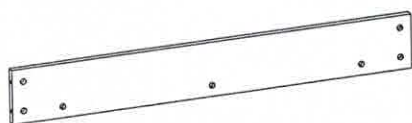
(13) Mattress Base Board x1



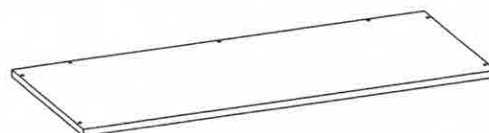
(14) Mattress Base Board x1

CARTON 5 - MEDIA TRAY

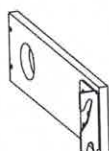
(8) Media Tray Back Panel x 1



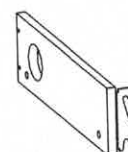
(9) Media Tray Base Panel x 1



(10) Media Tray Side Panel - LH x 1









(11) Media Tray Side Panel - RH x 1



Step 1a

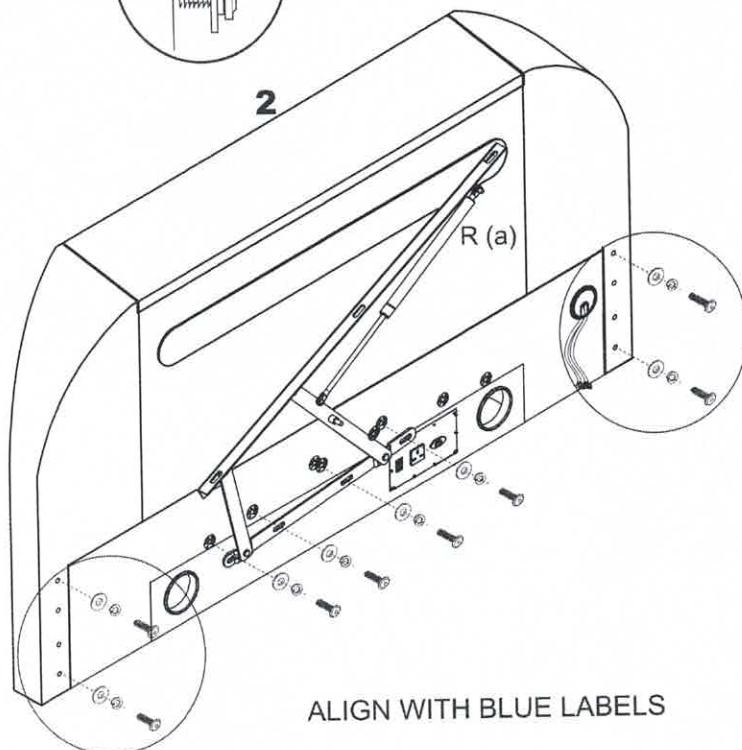
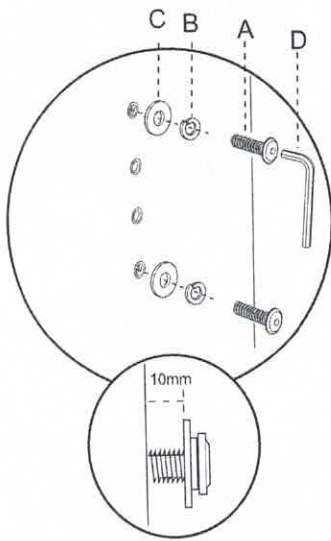
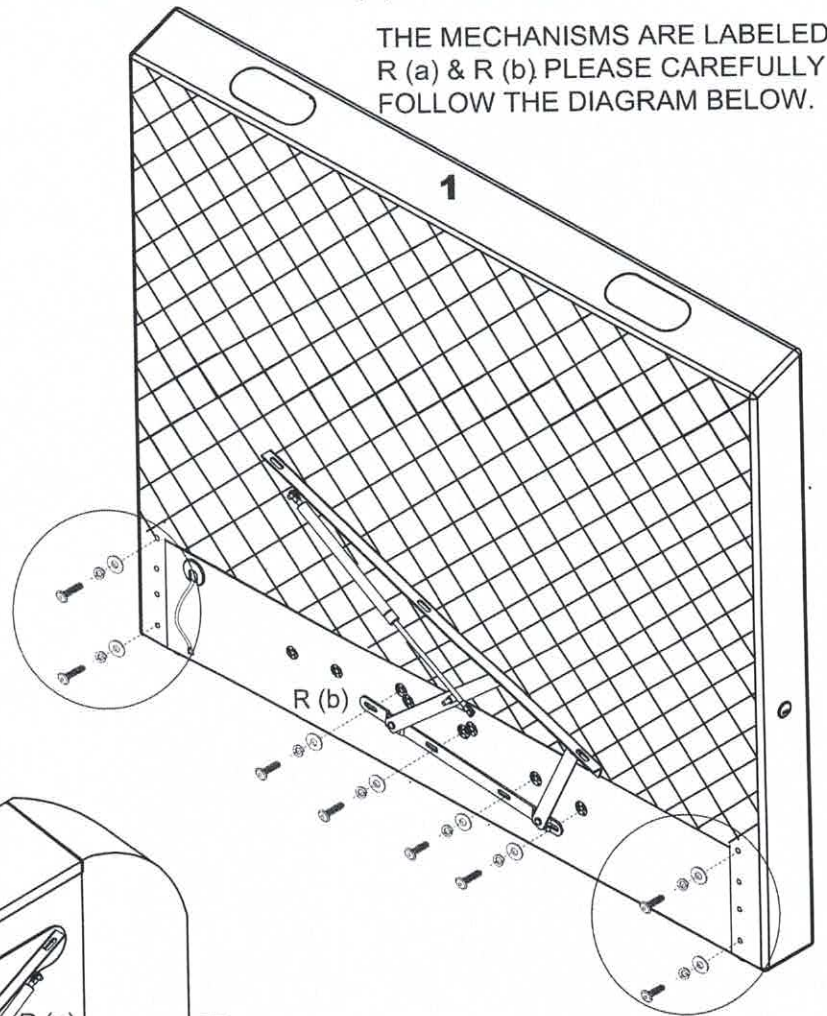
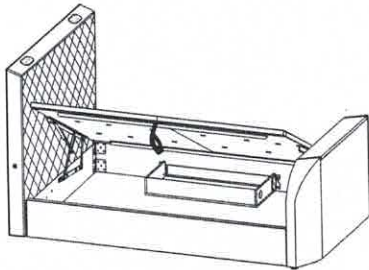
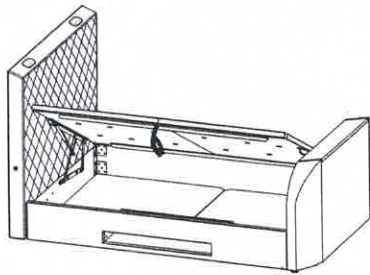
CHOOSE WHICH SIDE YOU WANT TO LIFT UP

OPEN FROM LEFT

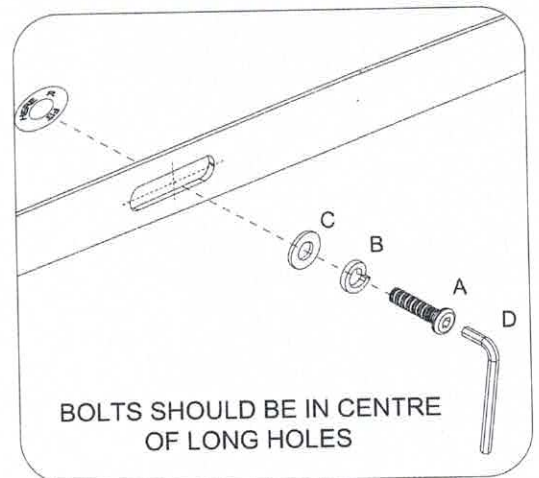
- A  x16
- B  x16
- C  x16
- D  x1
- R (a)  x1
- R (b)  x1

CHECK THIS DIAGRAM AND IF ACCESS IS NEEDED FROM LEFT SIDE OF BED, FIT BOTH LIFT MECHANISMS TO RIGHT SIDE OF THE BED. BOLT INTO THE HOLES MARKED (R) WITH BLUE LABELS.

THE MECHANISMS ARE LABELED R (a) & R (b) PLEASE CAREFULLY FOLLOW THE DIAGRAM BELOW.



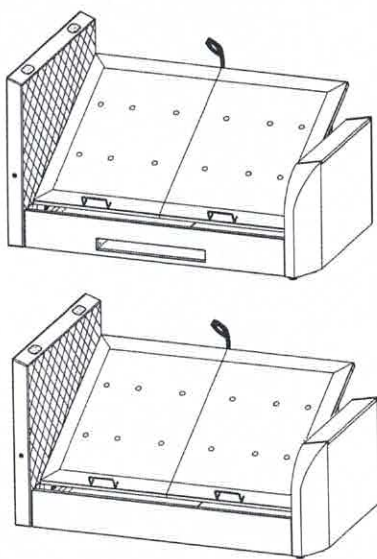
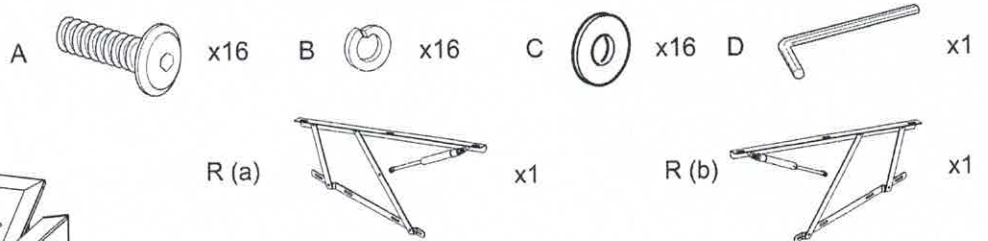
ALIGN WITH BLUE LABELS



BOLTS SHOULD BE IN CENTRE OF LONG HOLES

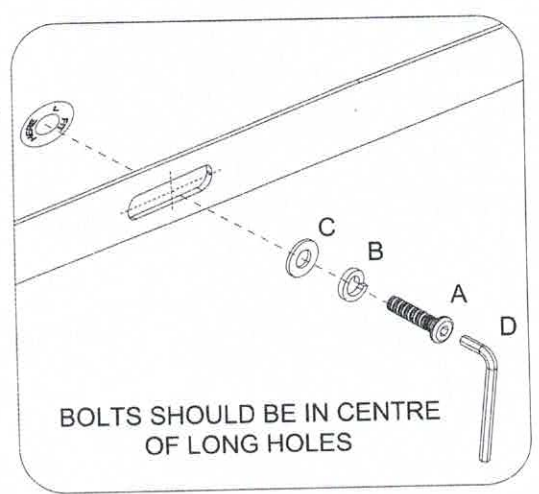
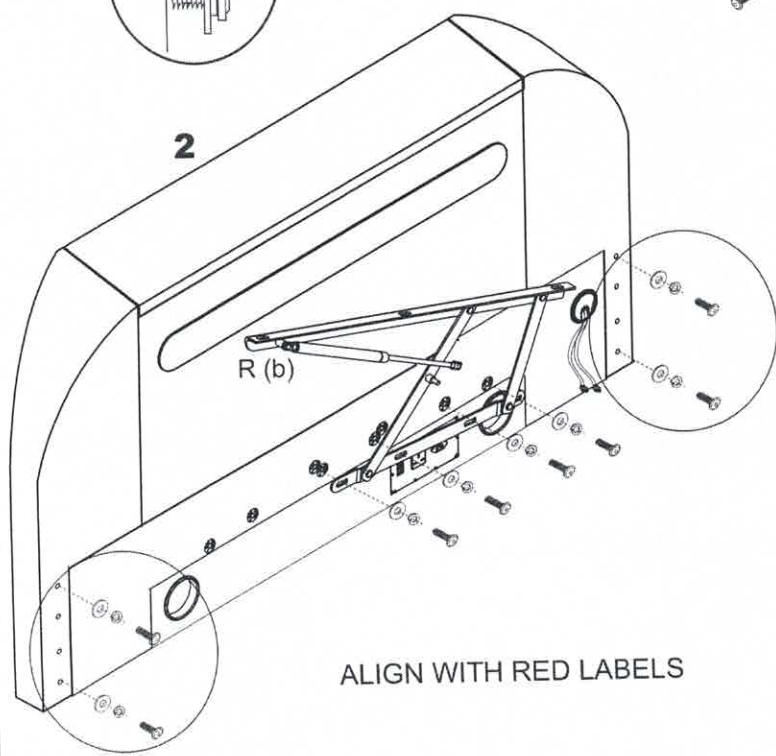
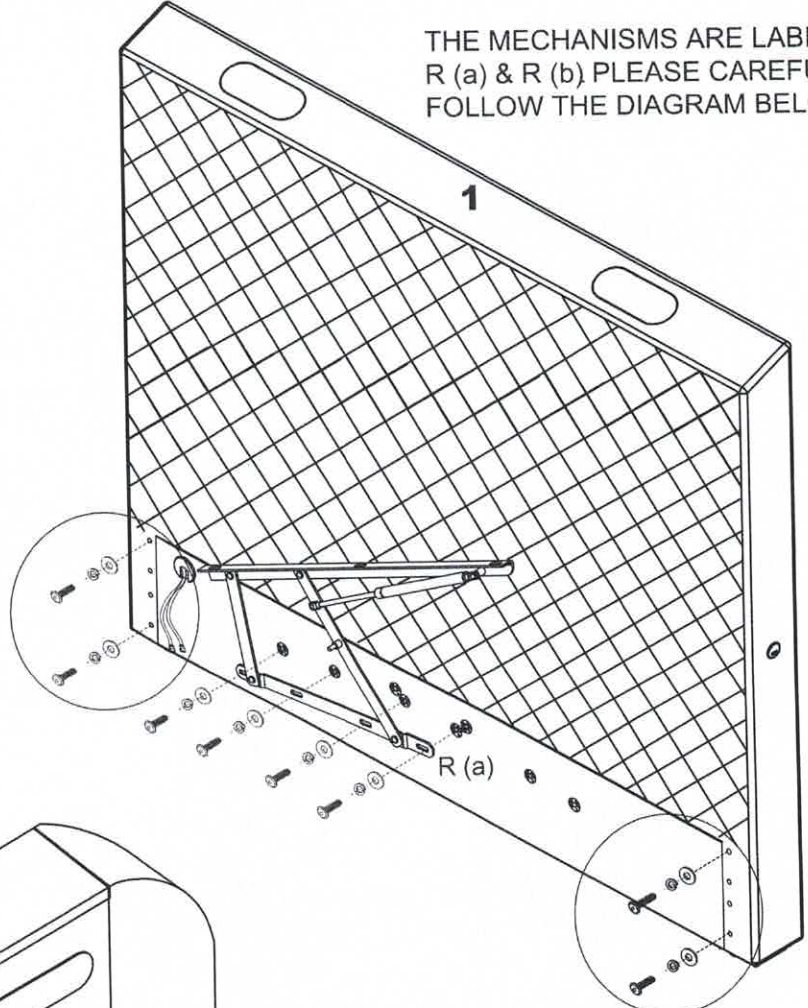
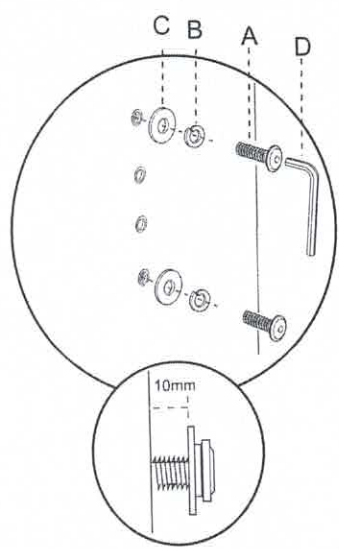
Step 1b

OPEN FROM RIGHT

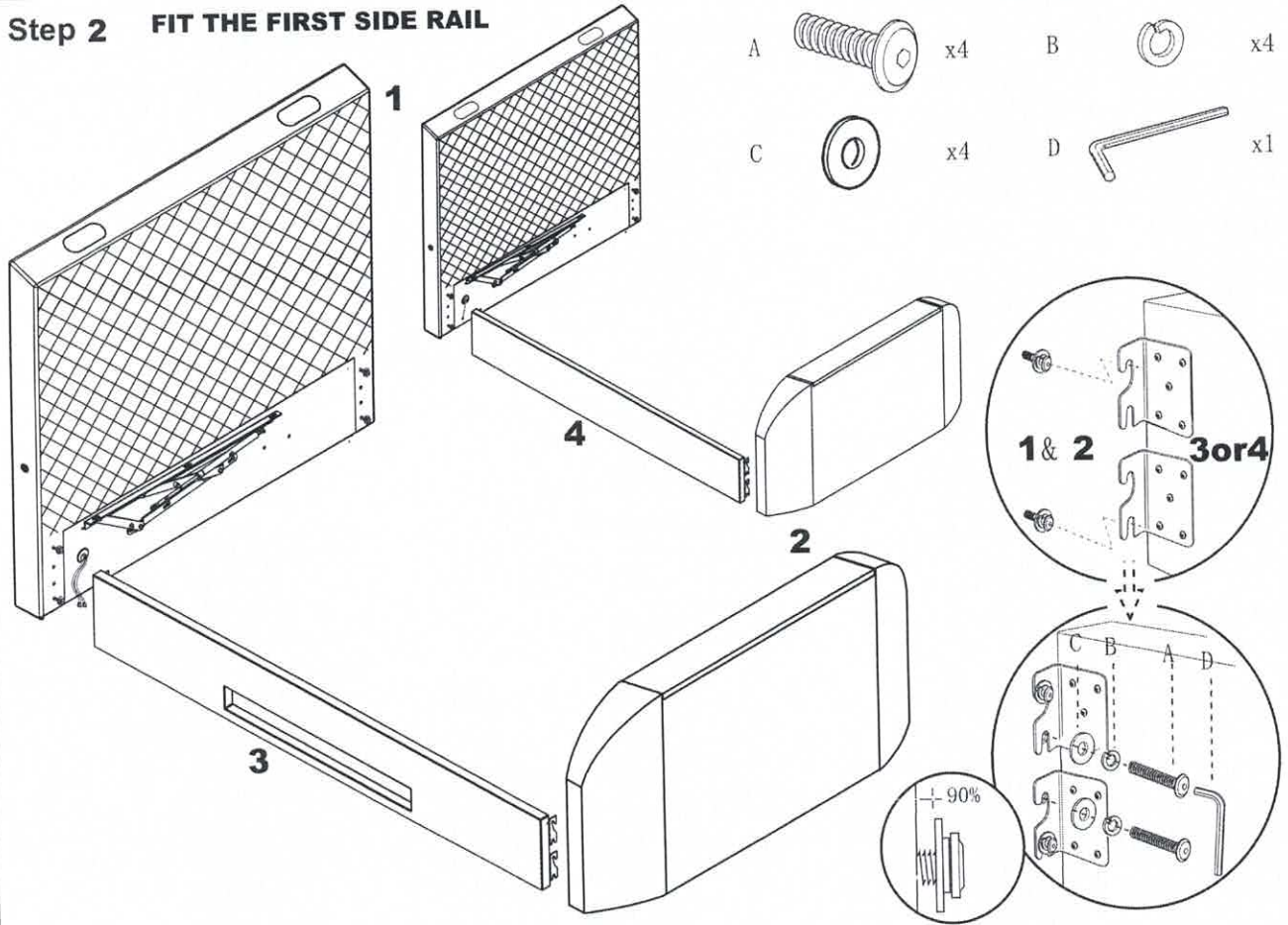


CHECK THIS DIAGRAM AND IF ACCESS IS NEEDED FROM RIGHT SIDE OF BED, FIT BOTH LIFT MECHANISMS TO LEFT SIDE OF THE BED. BOLT INTO THE HOLES MARKED (L) WITH RED LABELS.

THE MECHANISMS ARE LABELED R (a) & R (b) PLEASE CAREFULLY FOLLOW THE DIAGRAM BELOW.

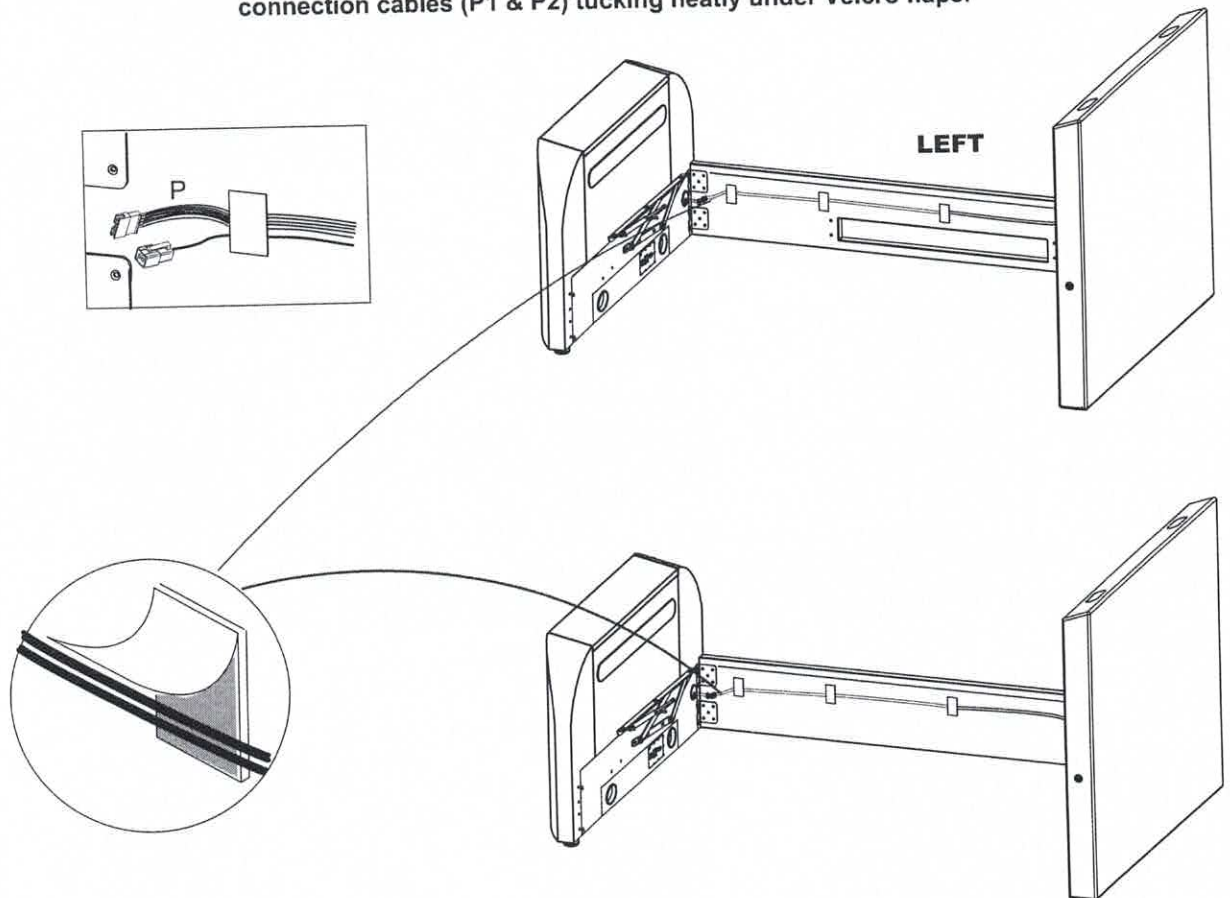


Step 2 FIT THE FIRST SIDE RAIL

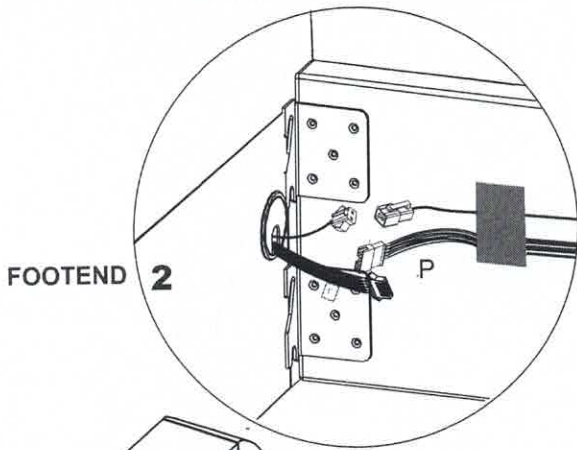


Step 3

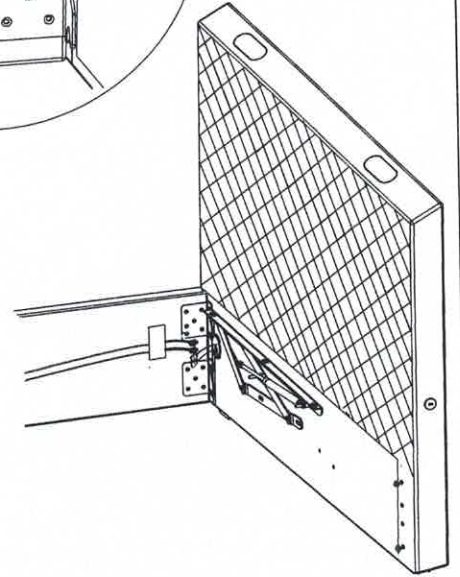
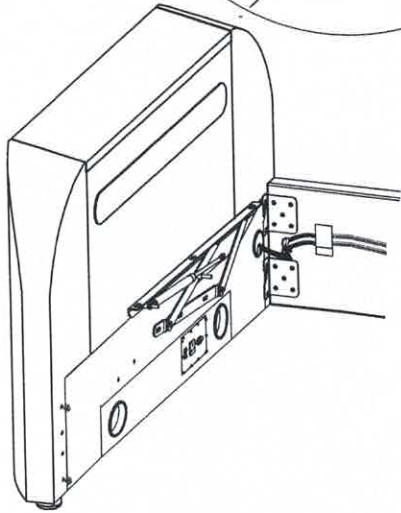
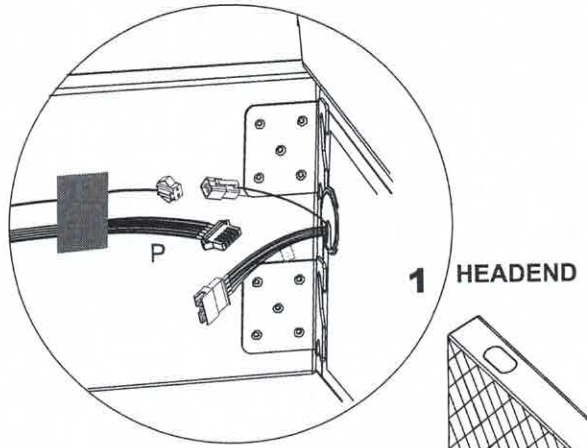
Always to **LEFT** side rail 3 or 4, irrespective of which side is chosen to be plain or with media tray, fit Headboard Speaker/USB connection cables (P1 & P2) tucking neatly under Velcro flaps.



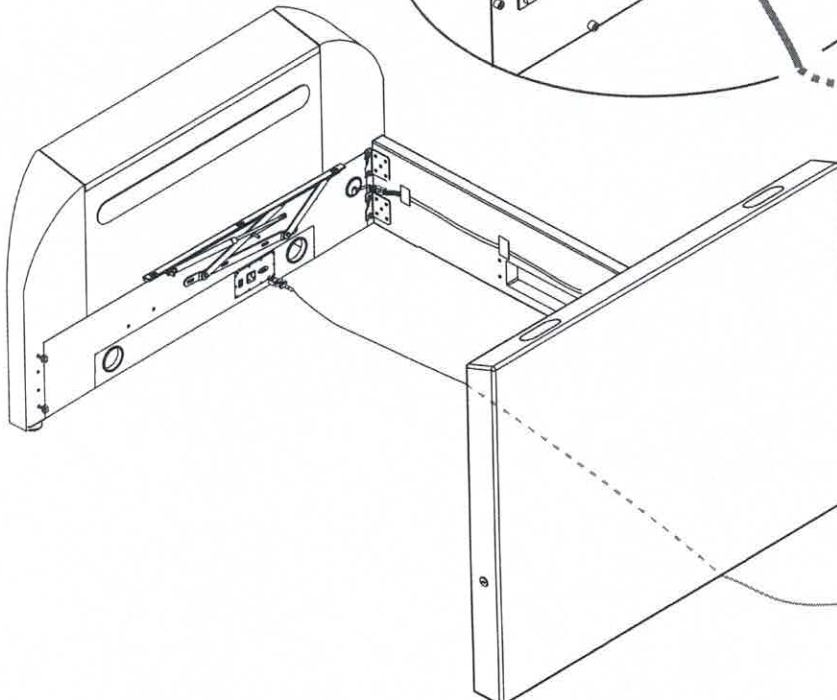
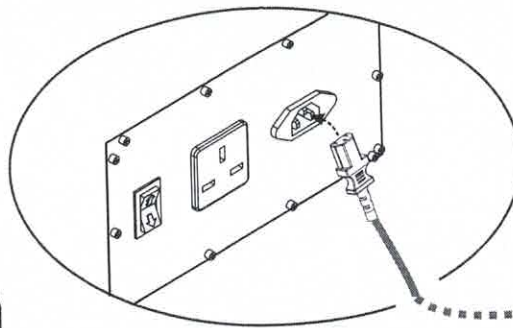
Step 4 Connect **SOCKETS** in Footend to **PLUGS** on connection cable



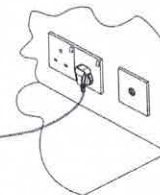
Connect **PLUGS** in Headend to **SOCKETS** on connection cable



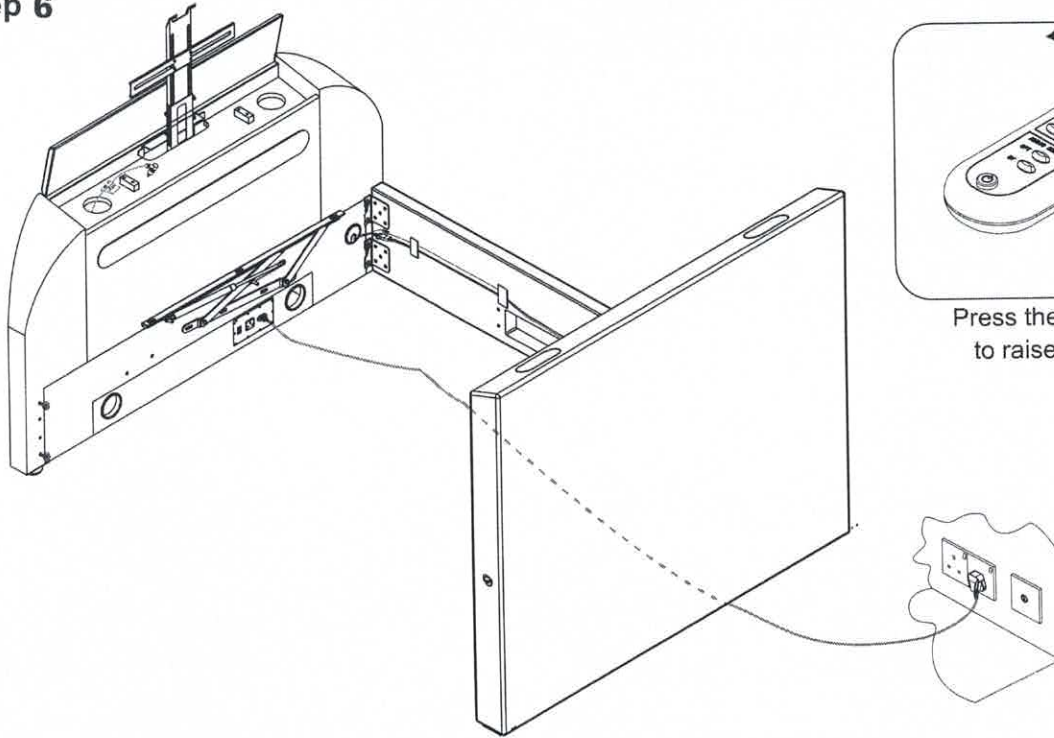
Step 5



Connect Main Power Lead (G) to your wall socket - for safety, this must be an earthed supply.



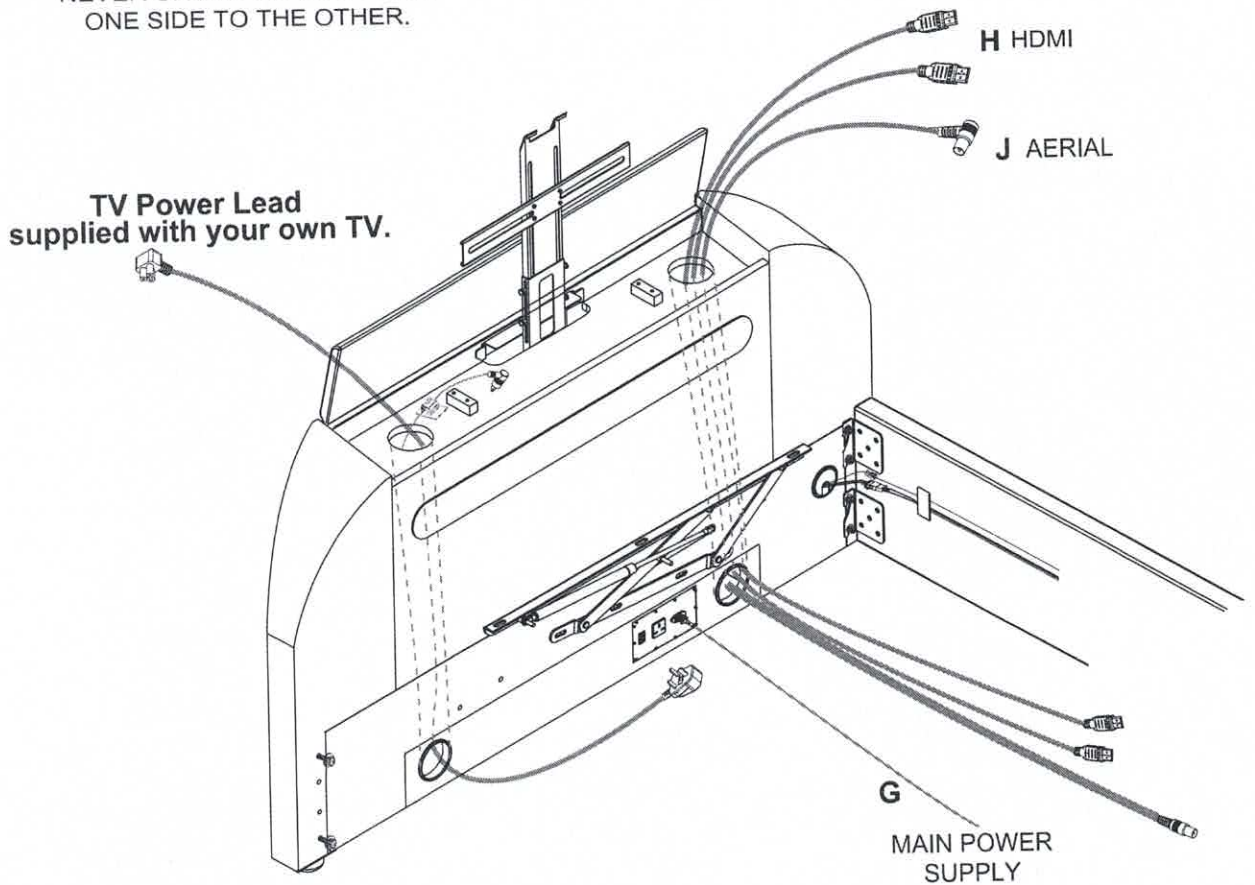
Step 6



Step 7

TIP:
BEFORE FITTING THE TV,
PUSH CABLES THROUGH
EACH DUCT FROM THE TOP.
CHOOSE THE BEST SIDE TO
USE DEPENDING ON WHERE
THE CONNECTION PORTS
ARE, ON BACK OF YOUR TV.
NEVER CROSS CABLES FROM
ONE SIDE TO THE OTHER.

**Note: For illustration purposes
only, TV connections may vary.**

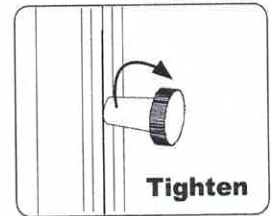
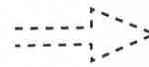
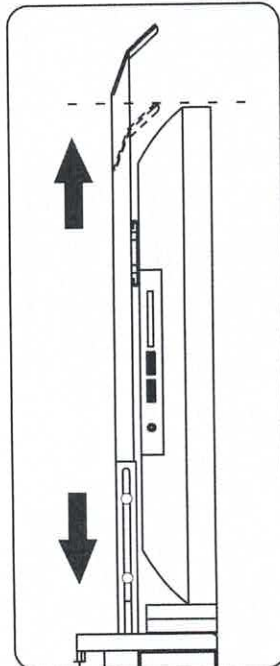
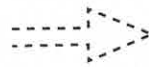
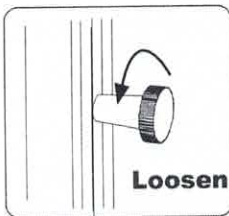
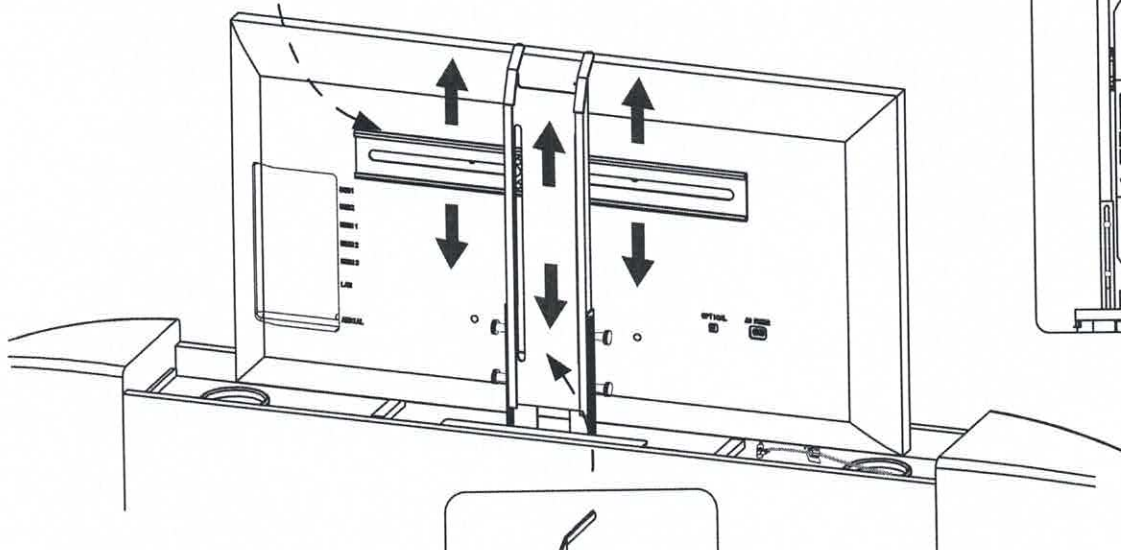
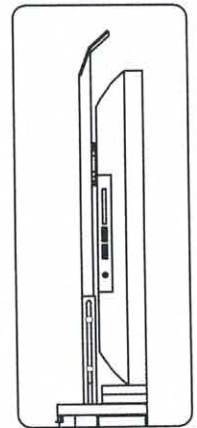
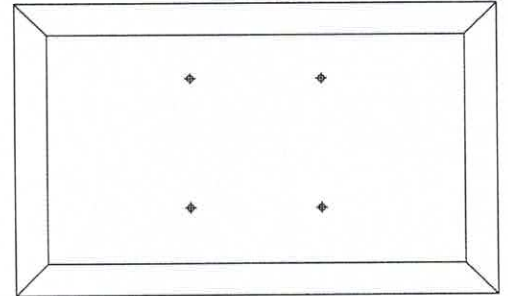
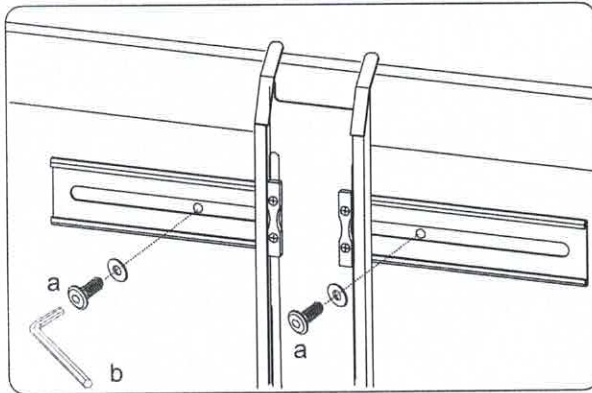


Step 8

TV Installation - Normal Vesa Fixing

IF SCREWS ARE SUPPLIED WITH TV, PLEASE USE THOSE IN PREFERENCE

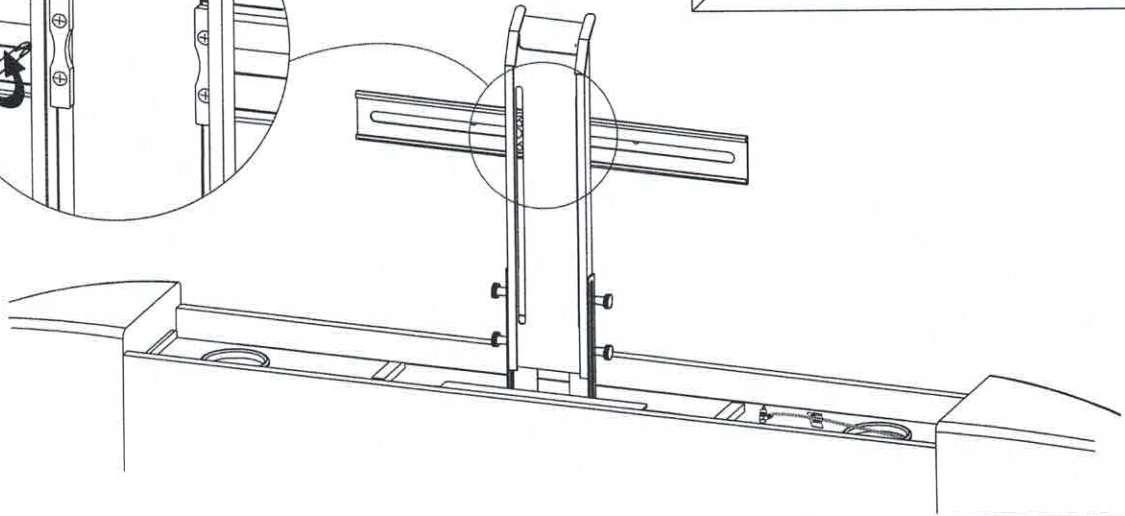
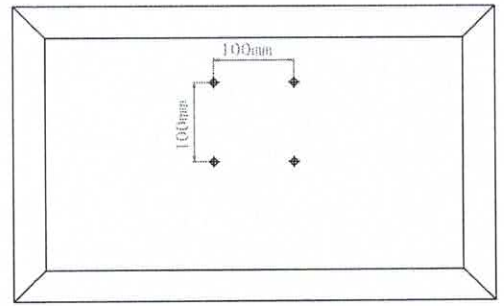
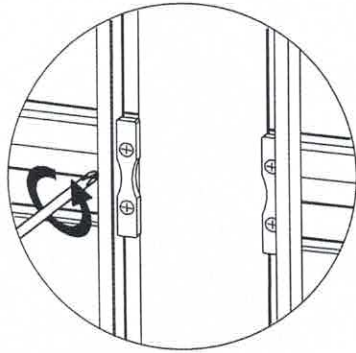
- a x2 Screw-Washer sets (M8x25mm) - Use 5mm Allen Key (D) 
- Counter-Sunk Screws (M6x12mm) 
- Counter-Sunk Screws (M4x12mm) 
- b x2 Allen Key (4mm) 
- Allen Key (2.5mm) 



Step 9a

TV Installation - 100x100 Vesa Fixing

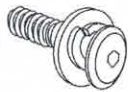
REMOVE CROSS-BRACKET
AND FIX IT DIRECTLY TO BACK OF TV



Step 9b

IF SCREWS ARE SUPPLIED WITH TV, PLEASE USE THOSE IN PREFERENCE

a x2 Screw-Washer sets (M8x25mm)
Use 5mm Allen Key (D)



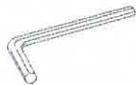
Counter-Sunk Screws (M6x12mm)



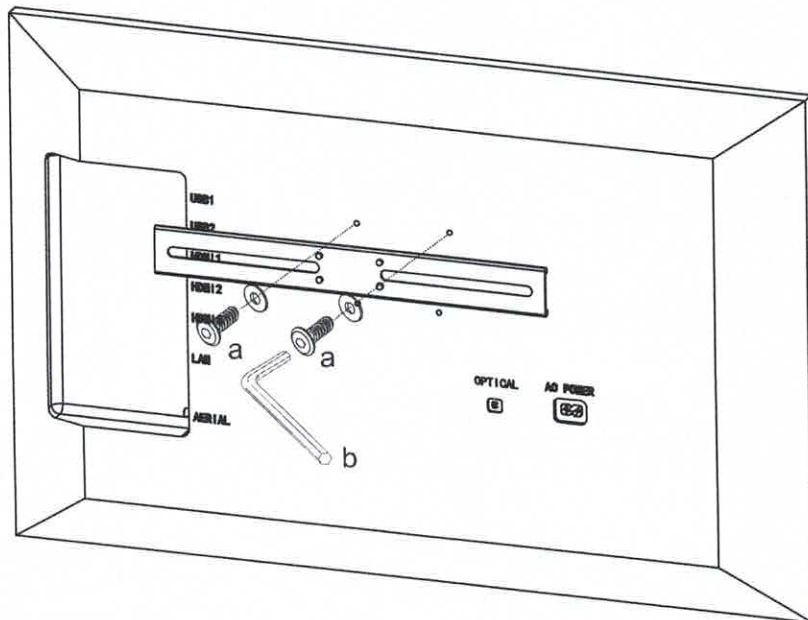
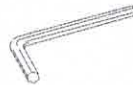
Counter-Sunk Screws (M4x12mm)



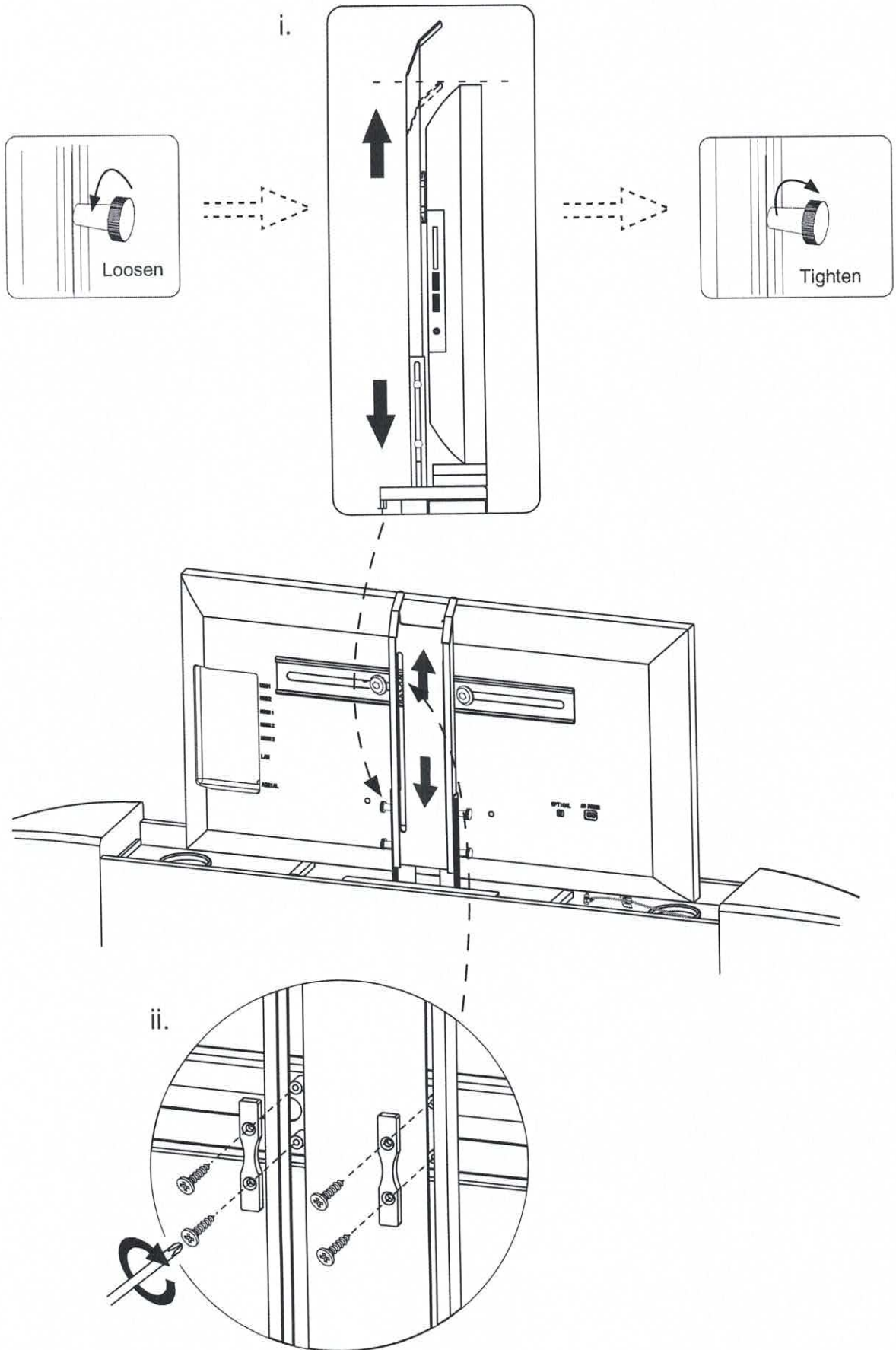
b x2 Allen Key (4mm)



Allen Key (2.5mm)

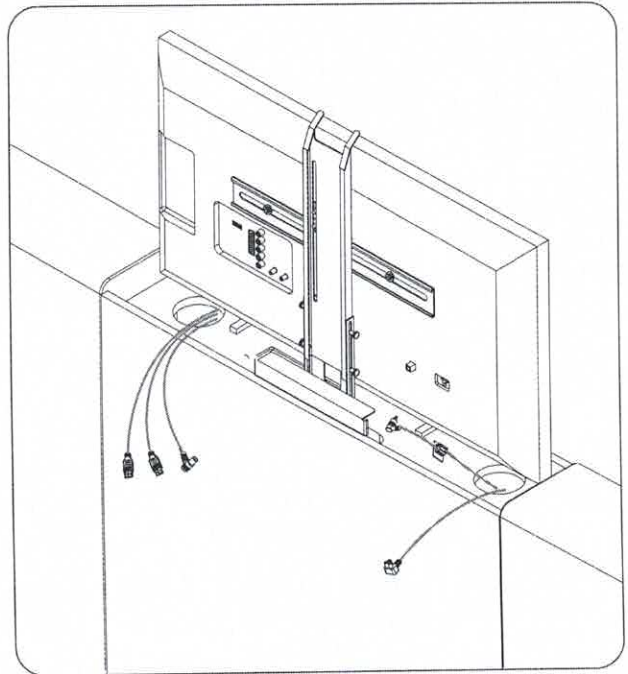
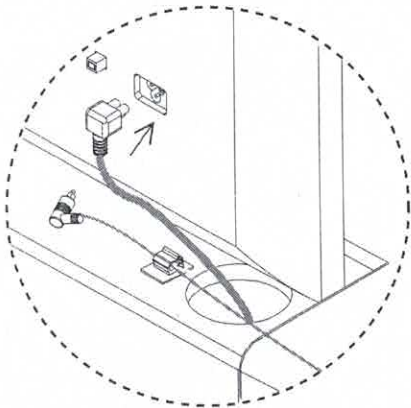


Step 9c

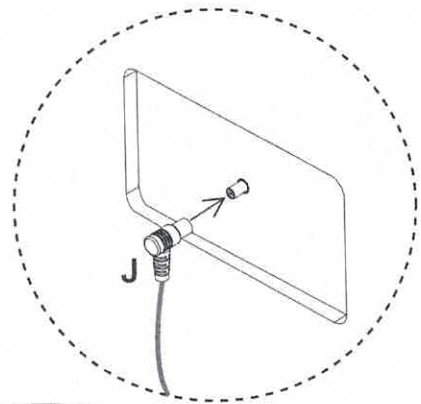
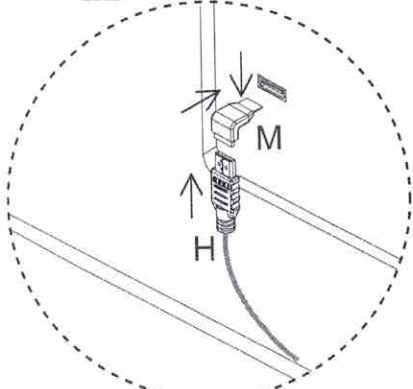


Step 10 Note: For illustration purposes only, TV connections may vary.

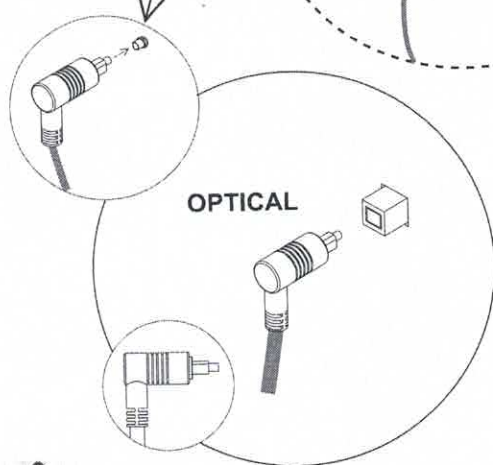
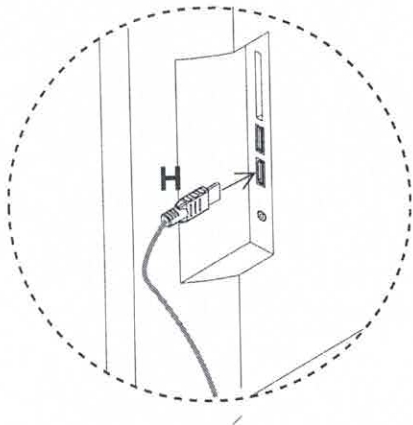
TV Power Lead supplied with your own TV



 90° ADAPTOR

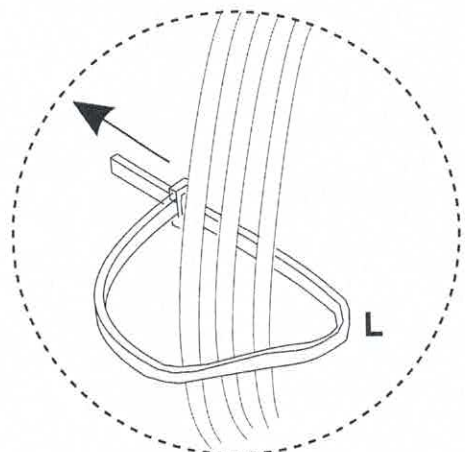
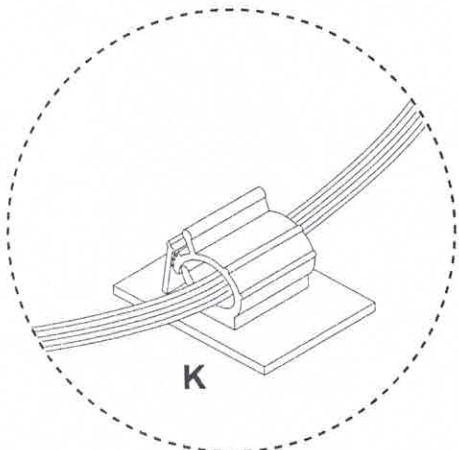


 REMOVE DUST-CAP



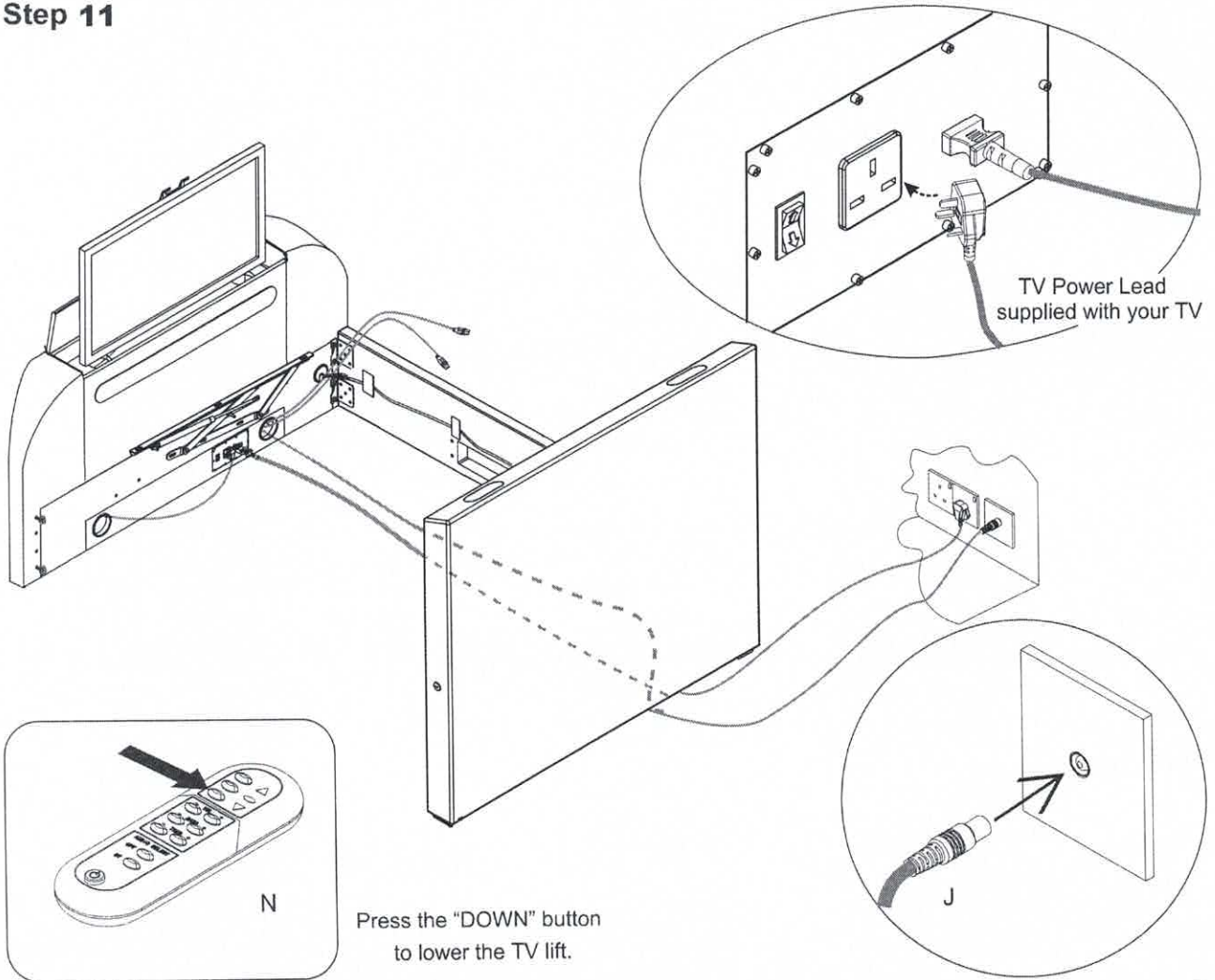


PLUG IN - KEEP ALL CABLES TIGHT - USE CLIPS & TIES PROVIDED.

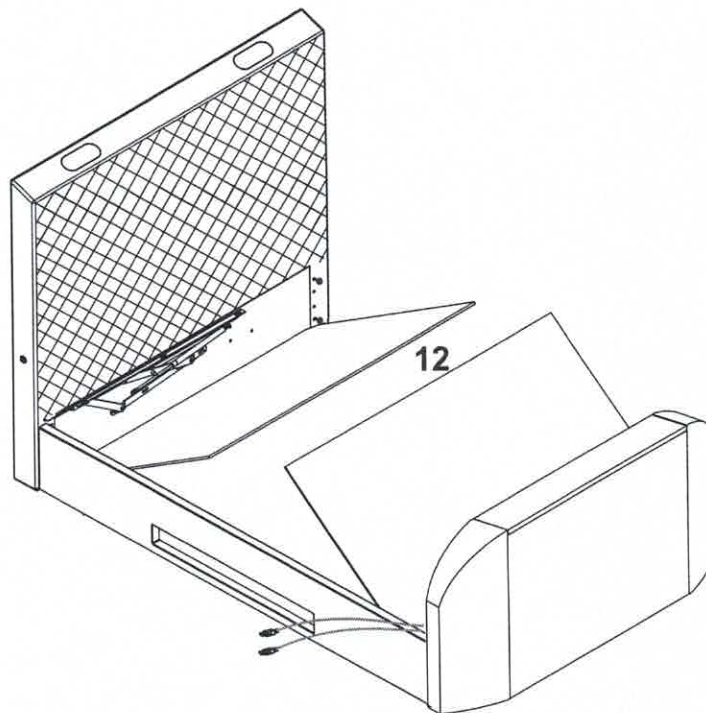


Keep wires tight - peel off cover from cable clips & adhere to back of TV.

Step 11



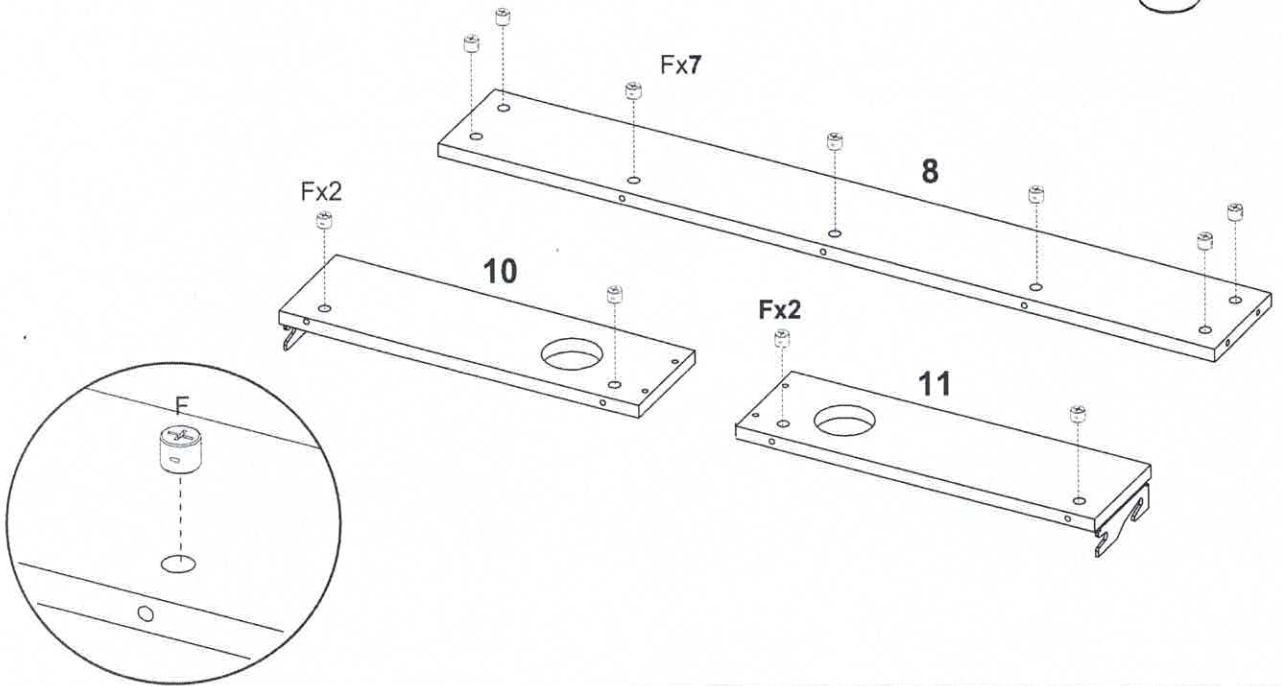
Step 12



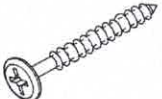
IMPORTANT: Be careful to keep the two HDMI Leads (H) on top of the Base Boards. Main power lead (G) and Aerial lead (J) should be kept under the base boards & fed out under the headboard so you can connect to your wall sockets.

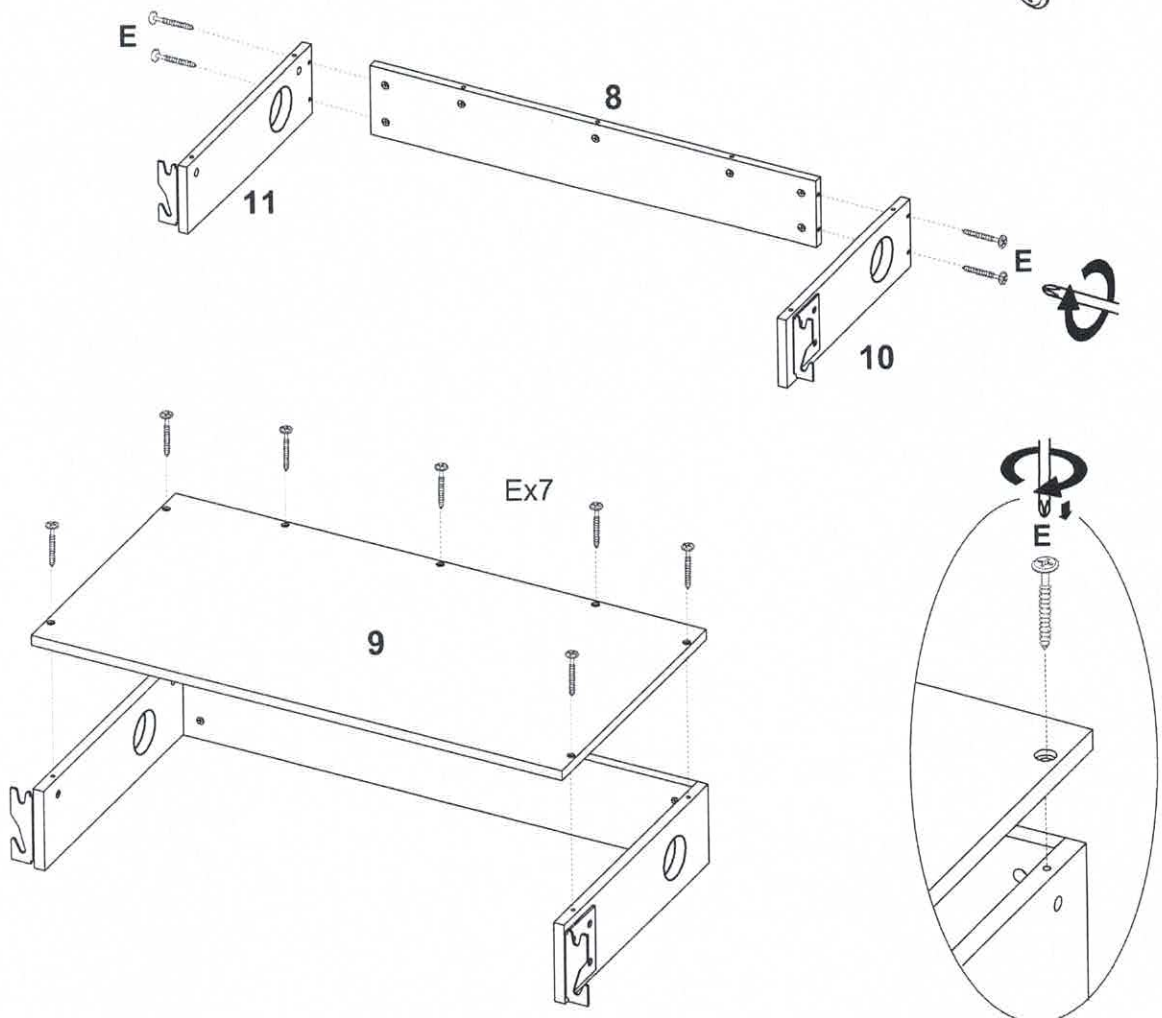
Step 13

F  x11

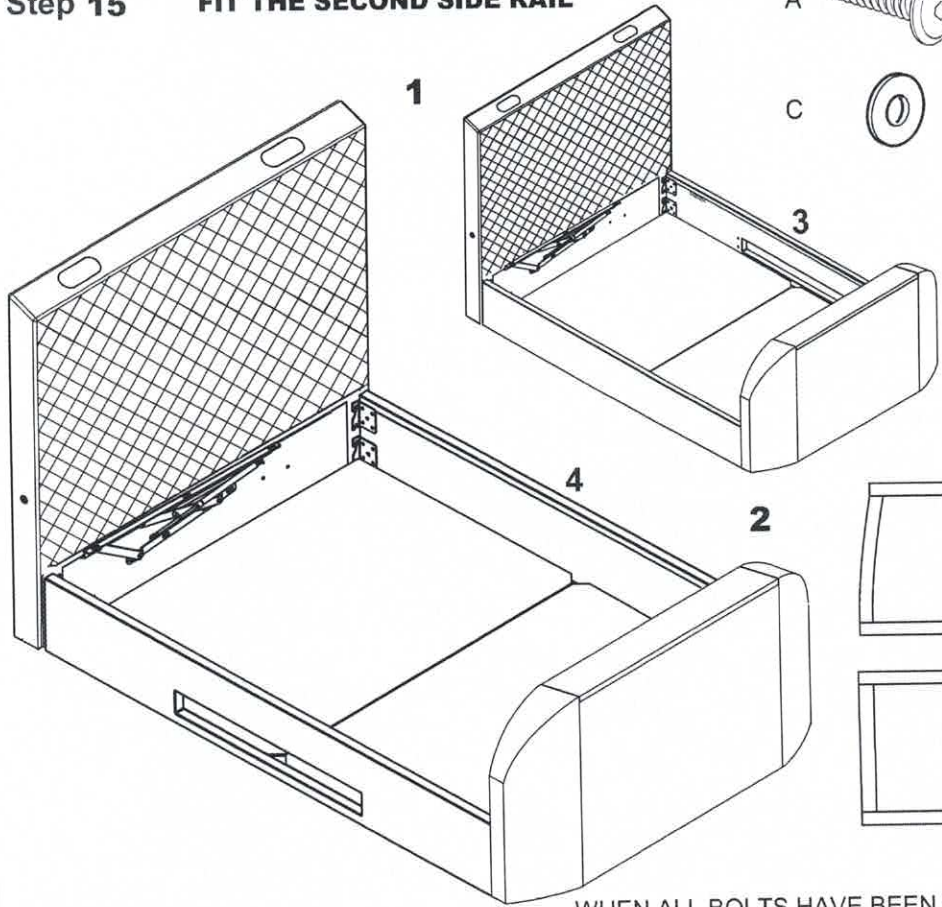






Step 14

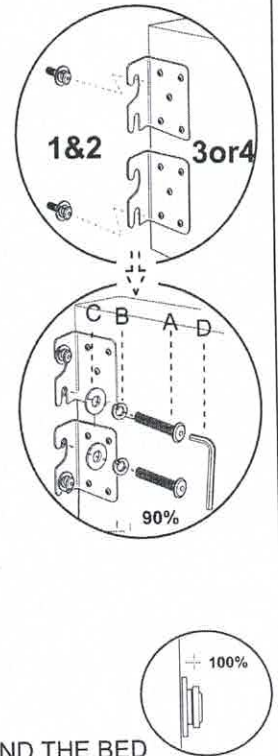
E  x11



Step 15 FIT THE SECOND SIDE RAIL

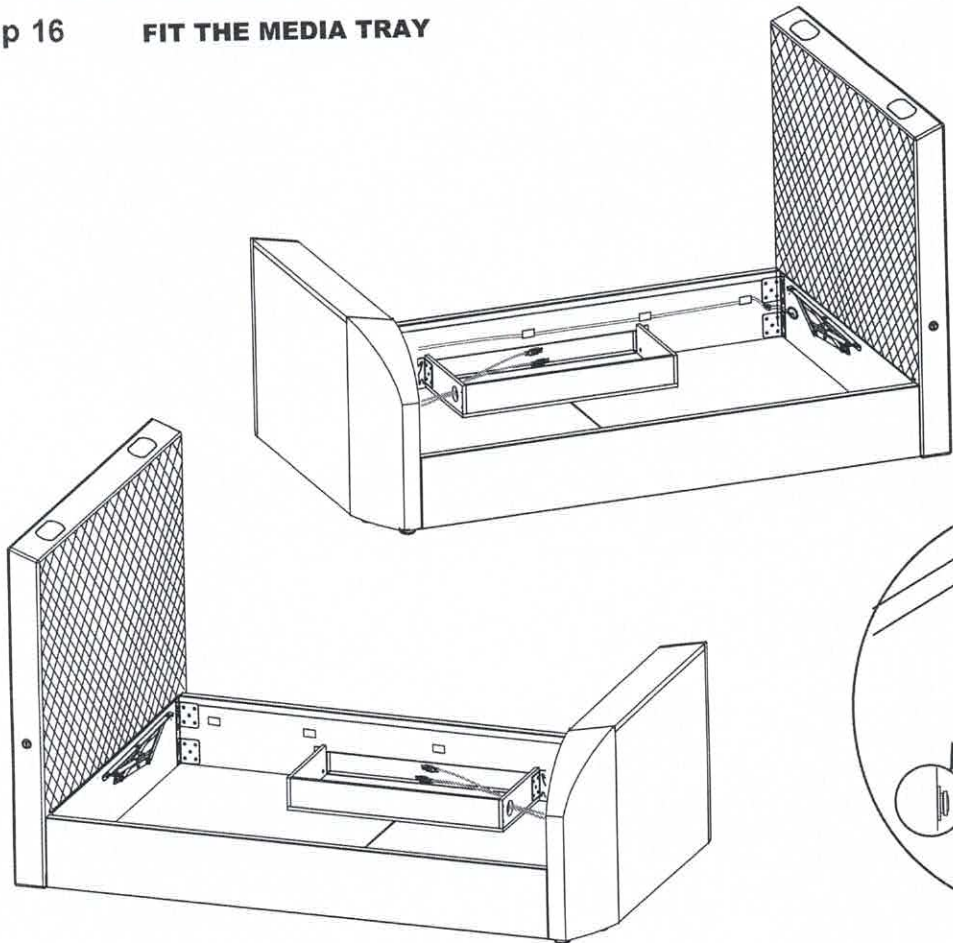




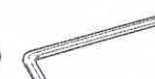
- A  x4
- B  x4
- C  x4
- D  x1

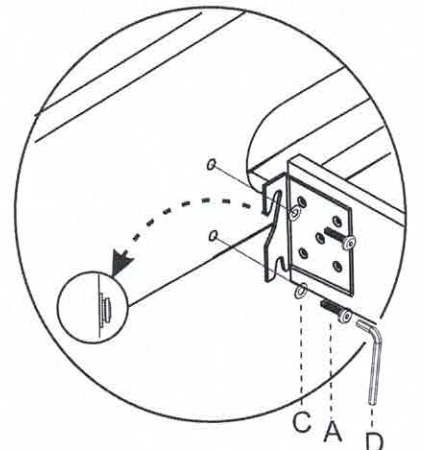


WHEN ALL BOLTS HAVE BEEN FITTED AND THE BED IS SQUARED UP AS IN THE DIAGRAM, TIGHTEN 100%







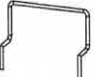
Step 16 FIT THE MEDIA TRAY

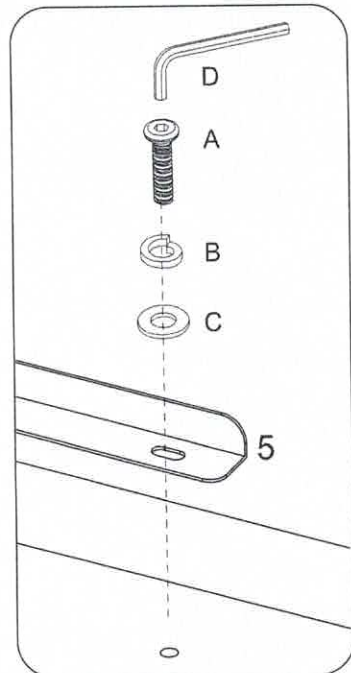
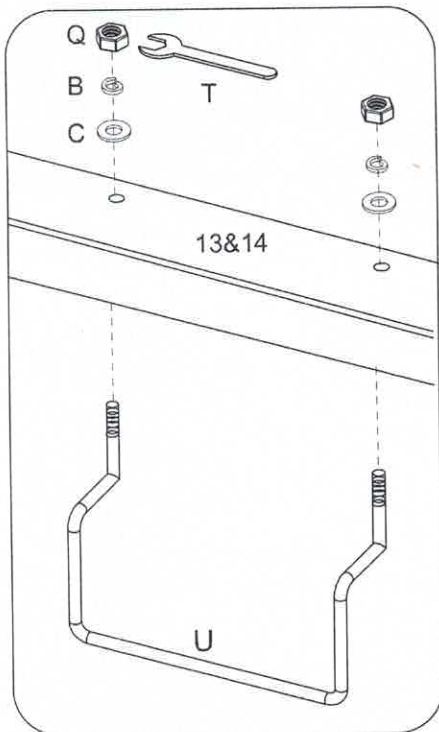
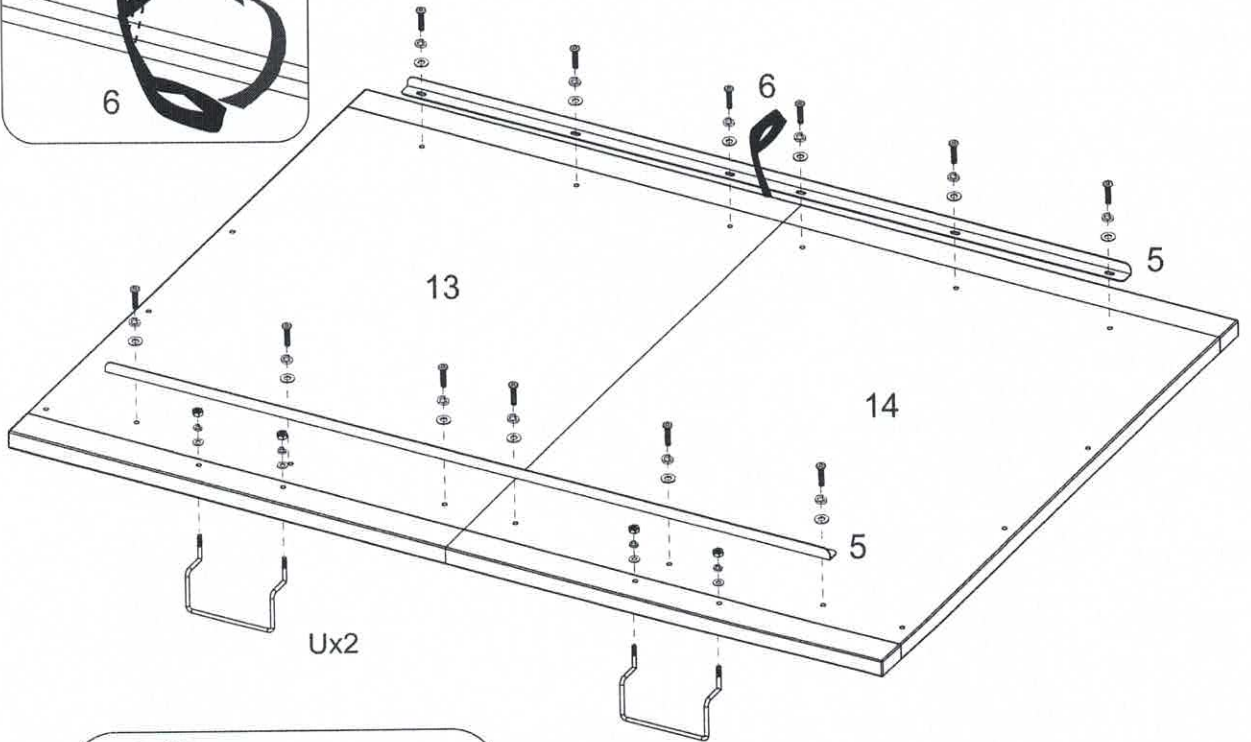
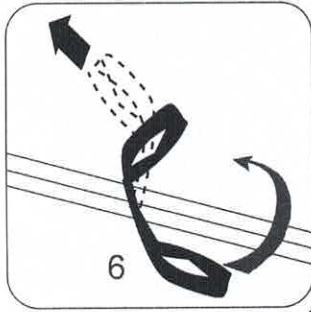


- A  x4
- C  x4
- D  x1



Step 17

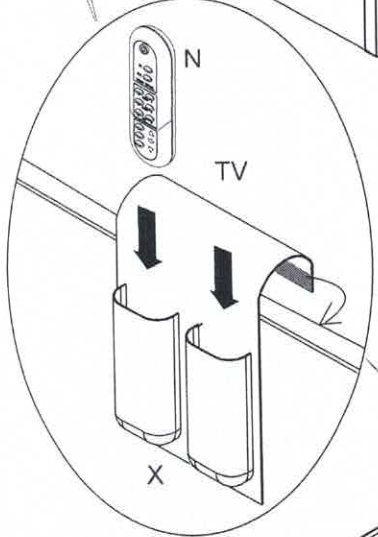
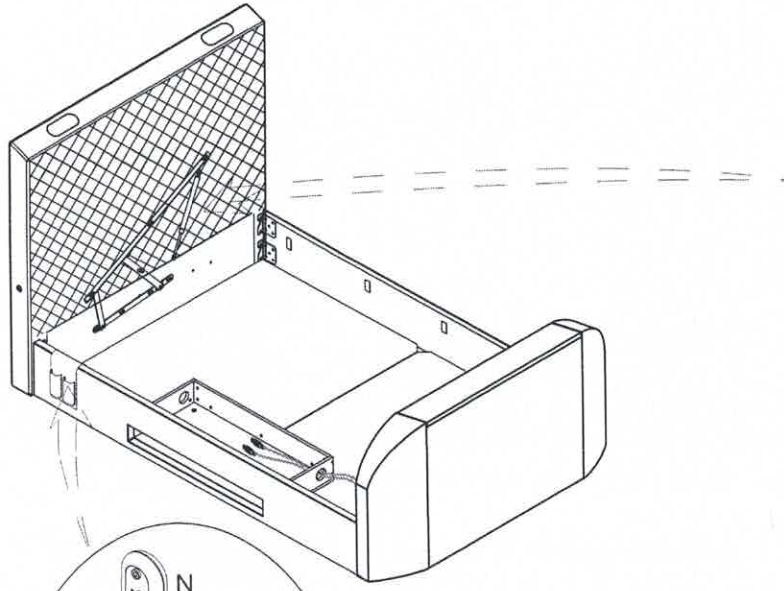
- A  x12
- B  x16
- C  x16
- D  x1
- Q  x4
- T  x1
- U  x2



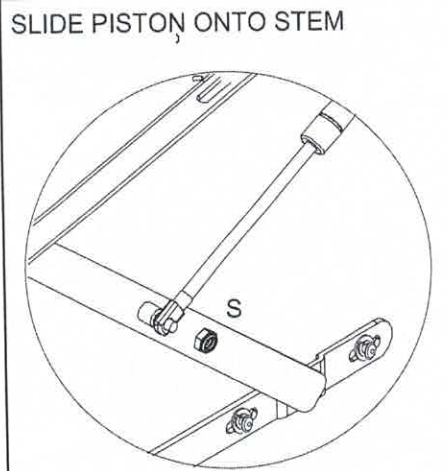
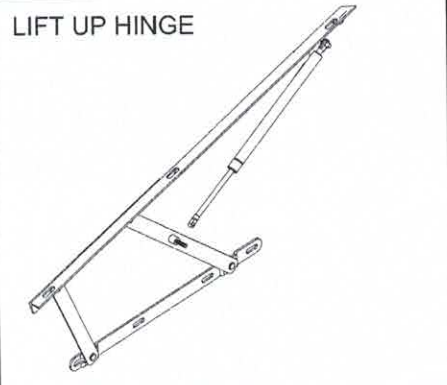
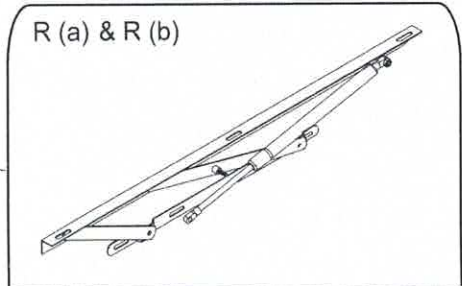
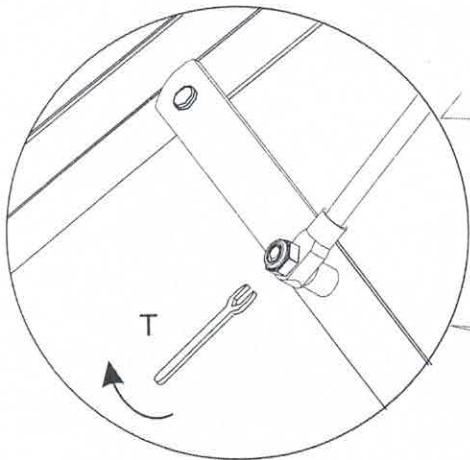
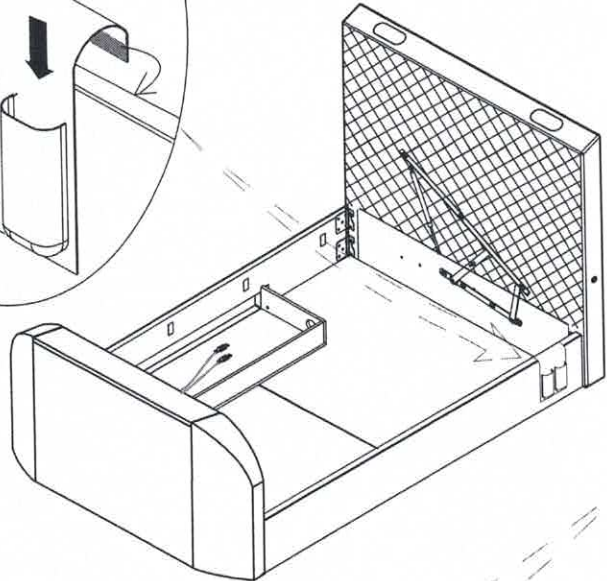
Step 18

FIT THE REMOTE CONTROL HOLSTER

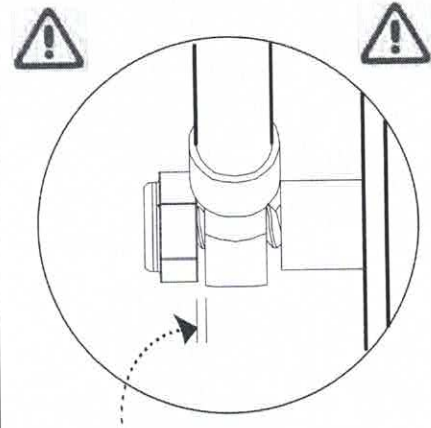
- S  x2
- T  x1



OR

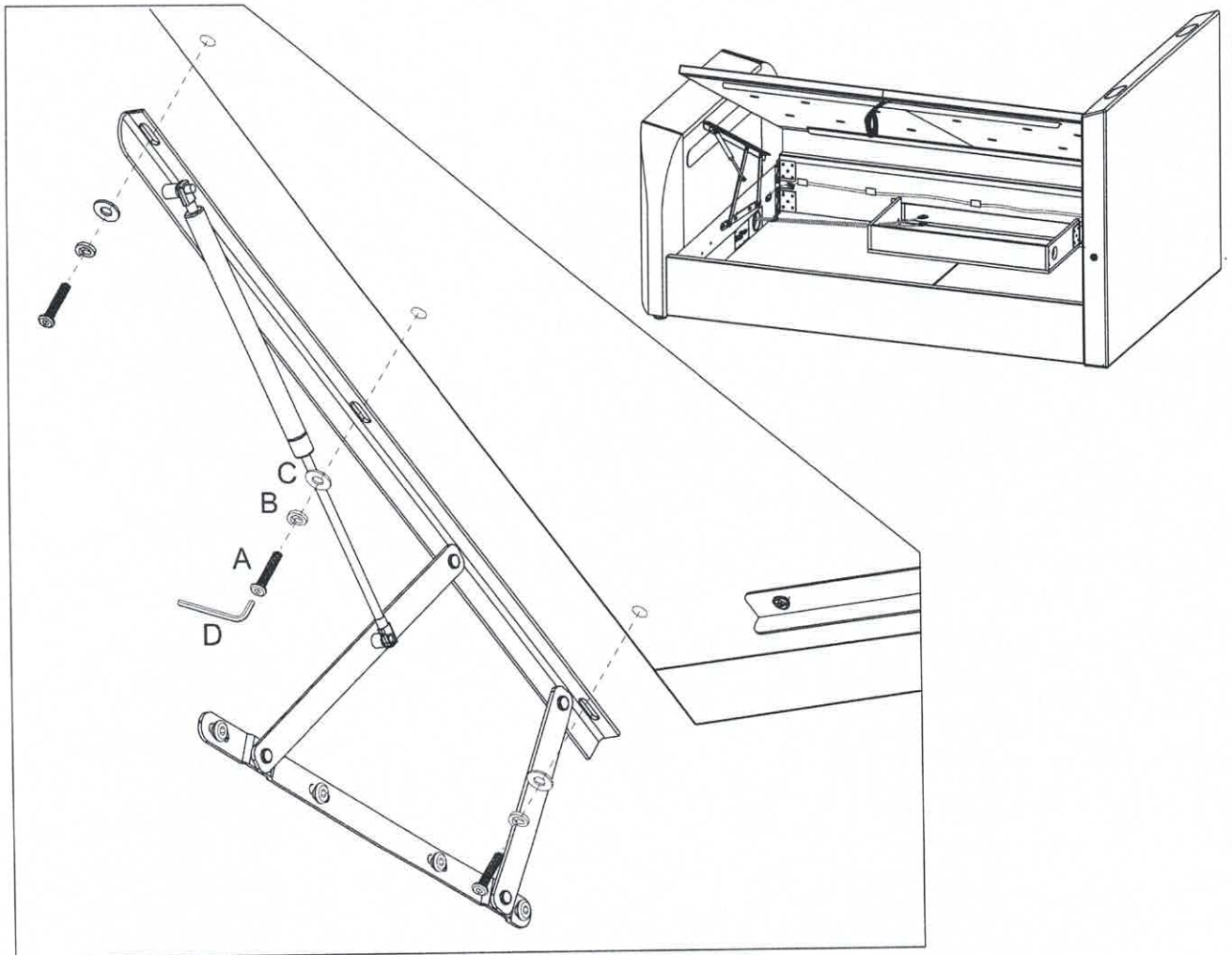


FIT FLANGE LOCK-NUT (S)

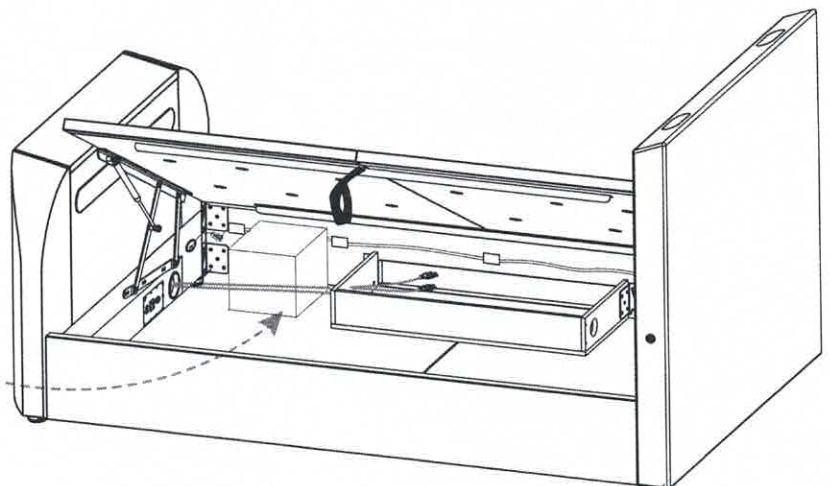


DO NOT OVERTIGHTEN
LEAVE A SMALL GAP

Step 19



Note: Be very careful what you store under the bed - the top of an item, like a suitcase or a box, must not touch the slats or they shall be damaged. Maximum storage height is 270mm.



NOTE: Before moving the slat frame, mattress must be placed on the slats as the speed of upward movement is very high and may cause injury. Lift frame with the hand-strap then slowly push down ensuring the edges are aligned with the side panels. If not aligned, check bed is still square (see Step 15). Depending on the weight of the mattress, the speed of the lift will vary so be careful until you get used to the speed. Always use the strap to lift or lower the frame - keep fingers well away from the moving parts.

NOTE: With mattress in place, move the frame up & down five times to lubricate the pistons.



GENERAL INFORMATION

It is very important not to place any vessel containing liquids, e.g. drinks or vase of flowers, on top of the TV footboard which may accidentally spill and enter the TV compartment as this could cause damage to the TV and/or the TV lifting equipment.

If this happens, please contact your retailer.

Do not expose the bed to an undue level of heat - keep away from radiators.

Never allow anyone to sit on the foot end of the bed - keep children well away from moving parts.

To keep bed clean, we recommend that it be wiped over with a slightly dampened cloth or if fabric, use a light vacuum cleaner; disconnect power before cleaning.

Supplied with the bed is a remote control to operate the TV Lift and when you fit your own TV there is a remote control to operate it as well. Both these remotes use batteries - there are no batteries in the rest of the equipment.

There are strict controls for disposal of batteries - your local council can advise on how to safely dispose of them.

Never burn batteries on an open fire as they could explode.

IMPORTANT POWER INFORMATION

It is essential that the Mains Power Lead (G) is connected to an earthed socket be it a wall socket or extension lead - otherwise there is risk of damage or even electric-shock.

The socket providing the power must be accessible at all times in case you need to switch off the power quickly.

During an electrical or lightning storm - disconnect the power completely as a precaution.

Always un-plug the power when going on holiday or when the bed is not used for an extended period.

If you have young children in the home always disconnect the power at the wall socket for extra safety.

Power outlets, extension leads or adapters must not be overloaded beyond their limit - this can result in fire or electric shock.

Leads supplied with this bed, or other approved mains powered extension leads used to power the equipment, must not be placed where they can be walked on - this is dangerous and could lead to accidents.

Do not interfere with or modify any cables already fitted and do not add any extra media leads unless they are routed through the ducts as shown in Step 7. All leads must be tightly connected to back of TV, never hanging loose.

Never touch moving parts or any part of the equipment - if something needs to be checked, disconnect the power first.

Do not insert anything into the footboard as this could seriously damage the TV and/or the TV lifting equipment and could, if done carelessly, cause serious damage or injury.

If the equipment doesn't operate normally or if there is any unusual noises, disconnect the power.

IMPORTANT: Care should be taken when connecting electrical items. If you are in any doubt about the connections please consult an approved electrician. If you still have a problem please contact your retailer for advice.

TELEVISION INSTALLATION

Before fixing the Mattress Bases to the bed, please follow the television installation instructions below

Raise the TV Lift by pressing the TOP button of the remote control.

Connect TV to the mounting bracket as shown in Step 8 or 9 using the TV Installation Kit packed with the main hardware in the accessory box, inside Carton 2. If screws are supplied with your TV, use those in preference.

If necessary mounting plate can easily be adjusted to move TV up or down.

Connect the TV Power Lead (supplied with TV) by passing plug down one of the ducts, plugging it into the TV power adapter, if supplied, then into the TV power socket which is on the face of footboard - see Step 7 & 11. This socket is only to be used for the TV as the supply is not permanent.

Connect the Aerial & HDMI cable (H&J) by passing down the appropriate duct - see Step 7.

If required, connect your own media cables through either of the ducts - connecting your media equipment when ready.

Please use the cable clips & cable ties (K) & (L) to make certain there are no loose wires to snag or get trapped.

The TV can now be operated following the TV Operation Guide, supplied with your TV.

When finished viewing, lower the TV back into the footboard by pressing DOWN button of the remote control.

The TV will retract into the footboard automatically - for safety, power shall be turned off to the TV when it reaches the bottom rest position.

Note that when the TV is operating and Bluetooth is selected, the TV picture will stay on screen - either turn off TV or press down button to lower to the resting position, TV is turned off but music will still play.

When the UP button is pressed - the TV Lifting Column rises and power to the TV turns back on automatically.

TROUBLE SHOOTING

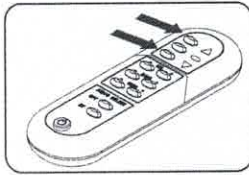
If your equipment does not operate please check all the power connections, to the wall and to the socket in the footboard.

Make sure TV is switched on. (Note: TV will only work when it is in the up position).

If the television or TV Lift still fails to operate contact your retailer.

IMPORTANT: Care should be taken when connecting electrical items. If in any doubt please consult an approved electrician to advise you on the electrical supply to achieve safe connections, to the electrical equipment of the TV Bed.

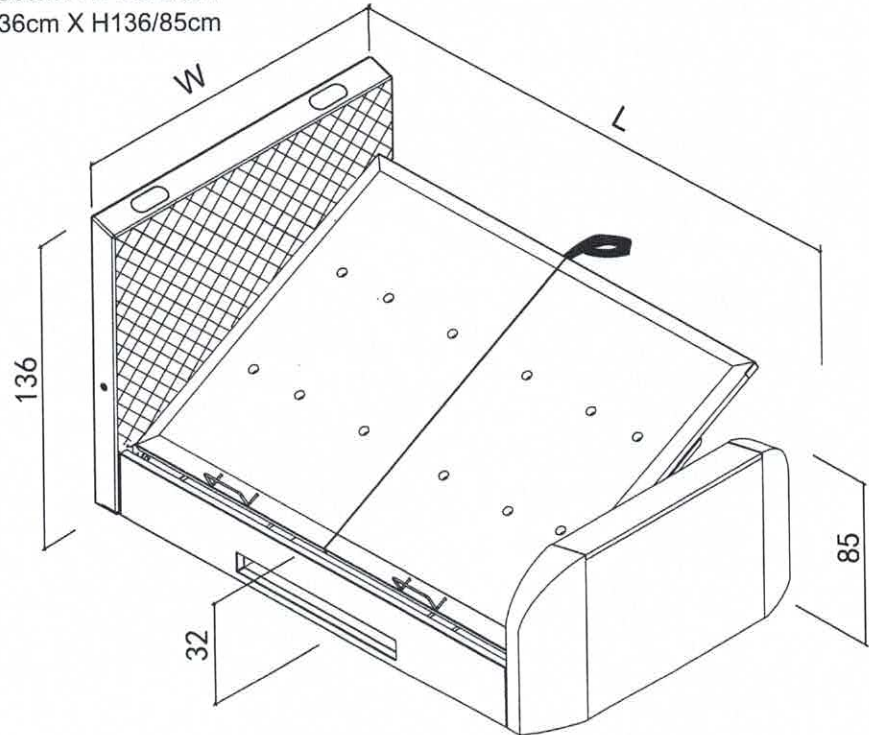
Occasionally you may find the radio wave connection between remote control and TV Lift is lost, probably due to atmospheric conditions. In that case please follow these simple instructions:



- ①. Disconnect all mains electric power to the bed, for at least 60 seconds.
- ②. Press UP or DOWN Button on Remote Control and keep holding button down, simultaneously re-connect mains electric power to bed keeping button down for at least a further 5 seconds. TV Lift unit receives signal from Remote Control and lift will begin to move UP or DOWN whichever direction is appropriate.
- ③. Re-connection is now completed.

Overall Dimensions

DOUBLE: W144cm X L227cm X H136/85cm
 KING: W159cm X L236cm X H136/85cm
 SUPER KING: W189cm X L236cm X H136/85cm



Product Information

- Upholstered Bed conforms to BS EN 1725 & BS 5852.
- TV Lift system has a maximum load capacity of 14 Kg
- Compatible with slimline LED television with a screen size of 42".
- Maximum TV dimensions W97 x H56 x D8 cm

Care Instructions

- Avoid exposing the furniture to excessive heat or direct sunlight as this can cause cracking and deterioration of the colour.
- Periodically check & re-tighten any fastener.
- Periodically remove dust by using a light vacuum cleaner or if your bed is PU, use a soft damp cloth.
- Do not use silicone based furniture polish.
- Any spills should be removed immediately with a soft damp cloth.
- TAKE CARE WHEN MOVING THE FURNITURE AND NEVER DRAG THE PIECES ACROSS THE FLOOR, AS THIS WILL CAUSE DAMAGE TO THE JOINTS.

We cannot be held responsible for any damage caused to the TV, TV cabling or the TV Bed itself due to incompatibility of any additional equipment installed by the end-user or due to loose and poorly installed cables (see Step 7 & 10). Please read this Assembly Instruction carefully and follow the recommendations.

CE TV LIFT REF: LA08 CONFORMS TO STANDARD FOR UK & LED CONFORMS TO STD FOR UK (EMC, LVD & ROHS)

TV LIFT: EN 60335-1:2012+A11: 2014
 EN 60950-1:2006+A11:2009+A1:2010
 +A12:2011+A2: 2013
 EN 301 489-1 V2.2.0: 2017
 EN 301 489-3 V2.1.1: 2017
 EN 55014-1:2006+A1:2009+A2:2011
 EN 61000-3-2: 2014 EN 61000-3-3: 2013
 EN 62233: 2008 EN 55014-2: 2015
 EN 300 440 V2.1.1: 2017 EN 301 489-3
 V2.1.1: 2017 EN 62479: 2010

EMC CERT NO. HTT170911240E
 LVD CERT NO. HTT170911240L
 ROHS CERT NO. HTT170911240R

DIRECTIVE: 2014/30/EU
 DIRECTIVE: 2014/35/EU
 DIRECTIVE: 2011/65/EU

POWER SUPPLY: FDD-009

EMC CERT NO. BST14010531Y-1EC-1
 LVD CERT NO. BST14010531Y-1SC-2
 ROHS CERT NO. BST14010531Y-1RC-4

DIRECTIVE: 2004/108/EC
 DIRECTIVE: 2006/95/EC
 DIRECTIVE: 2011/65/EU

Please dispose of all packaging safely.

General Care & Maintenance

Wipe clean with a slightly damp cloth.
Avoid the use of all household cleaners and abrasives.

Periodically check all screw & fixings to ensure they are secure.
When moving your product, carefully lift into place. Never drag or push the product across the floor as this will cause damage to the joints. If the product is used on hard flooring, such as wood or laminated floor, you must place some protection under the legs to stop the product from moving. If this is not adhered to, it could result in failure to the product that will invalidate the warranty.

For more information on cleaning and product care visit:
<https://www.happybeds.co.uk/help-and-advice>

Notes

We've tried to make this product as easy to assemble as possible. In the unlikely event that you have problems putting it together or have damaged or missing pieces, please contact us by visiting:
<https://www.happybeds.co.uk/customer-service>



www.happybeds.co.uk

