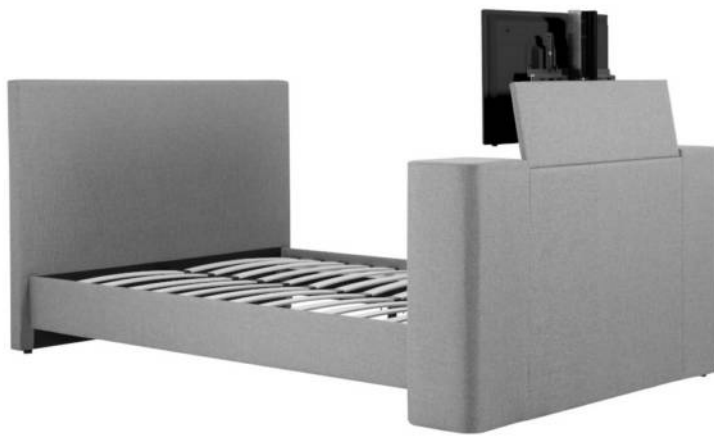




Assembly Instructions

Plaza 4FT6 Fabric TV Bed



Important before assembly:

Read these instructions carefully before assembling or using the product.

Please check the contents of the boxes before attempting to assemble this product. The instructions will have a checklist of parts and fittings.

It would be sensible to lay a rug or a carpet on the floor where you intend to assemble the product, to avoid scratches and damaging the product or the floor.

Assemble the product as close to its intended final location/room as possible.

Do NOT use any power tools as this may damage the frame.

Health & Safety:

This product or some parts of this product will be heavy. Please use an assistant when lifting.

Please keep small parts out of reach of children.

Always use on a level, even surface.

DO NOT jump on the product or any of its parts.

DO NOT use this product if any parts are missing, damaged or worn.

DO NOT use this product unless all fixings are secured.

Please keep these instructions for future reference.



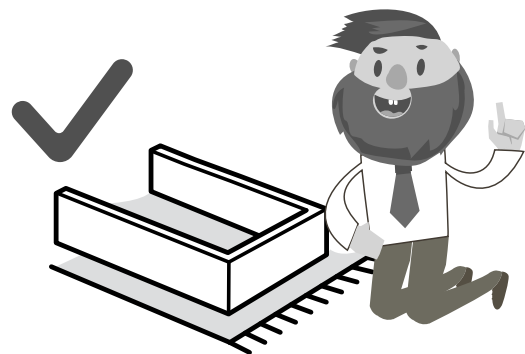
(Not metal)

These tools are not necessary, but may help to assemble certain parts of the product.

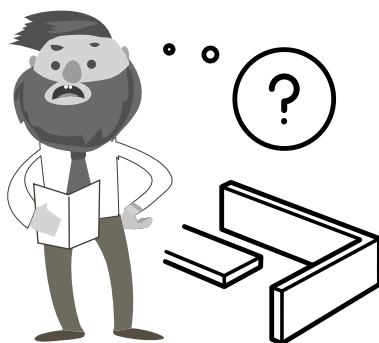
Do NOT use any power tools as this may damage the frame.



This product or some parts of this product will be heavy. Please use an assistant when lifting.



Never drag or push the pieces across a hard or stone floor as this will cause damage to the joints. Use a carpet or a rug for extra care.



If you have problems assembling or have damaged or missing pieces, please contact us by visiting:

<https://www.happybeds.co.uk/customer-service>

Plaza Fabric TV Bed - Double

Assembly Instructions

Before you begin...

1. Please check you have received the correct product.
2. Unpack all boxes and lay out each component on the floor.
3. Check your product for any damage that may be immediately obvious. If damage is identified, please contact your retailer.
4. Please read through these instructions thoroughly to ensure you have constructed your bed correctly.

For Care and Maintenance of your bed...

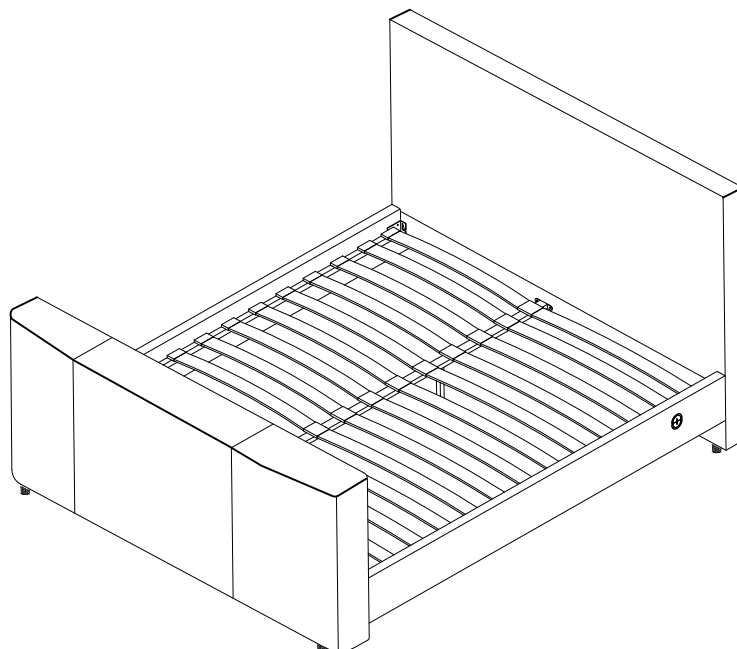
- Always assemble in your desired room of use.
- Always check all screws and fixings periodically to ensure they are still secure.
- Do not push or pull this bed as it will cause damage.
- Always lift this bed with a second person to prevent damage or injury.
- Keep any sharp objects away from this bed Frame.

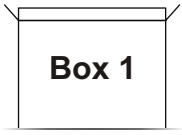
For your Health and Safety...

- Please don't not jump on this Bed.
- Do not use this bed if you find missing, damaged or worn parts. Please contact your retailer.
- Please do not use this bed until you have fully secured all fixings.
- Please keep all small components away from children.
- Please ensure this bed is on an even, level surface.

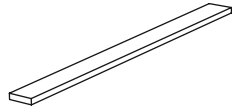
Also...

If your desired room of choice has a non-carpeted surface please ensure that you use some form of anti-slip protection and do not place directly on the wooden floor. This will prevent the bed from moving and therefore collapsing which will void your guarantee..

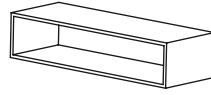




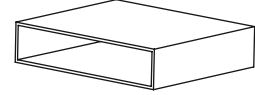
Box 1



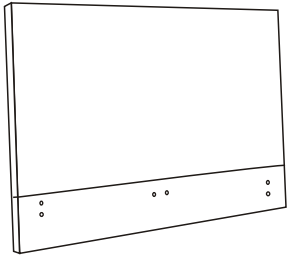
7. Slats (x26)



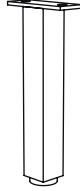
H. Slat Caps (x26)



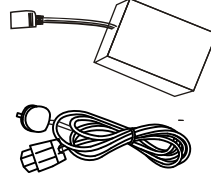
M. Centre Slat Caps (x13)



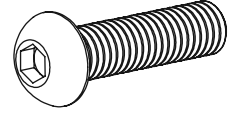
1. Headboard (x1)



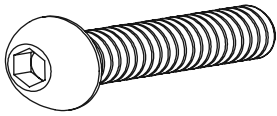
5. Support Leg (x2)



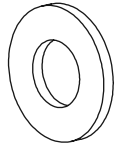
8. Power plug (x1)



A. M8x30mm Bolts (x12)



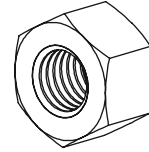
B. M8x40mm Bolts (x4)



D. Flat Washer (X8)



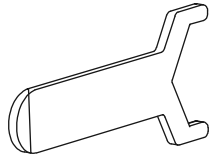
E. Spring Washer (x8)



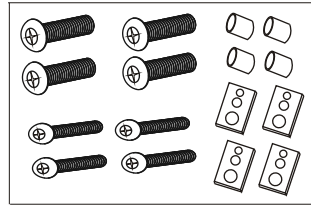
C. Nuts (x4)



F. M5 Allen Key (x1)



G. Spanner (x1)



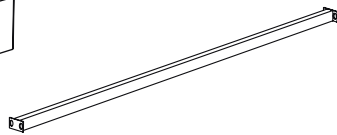
K. Spare parts for TV



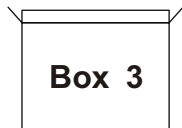
Box 2



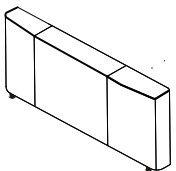
2. Side Rails (x2)



4. Centre Support Rail (x1)



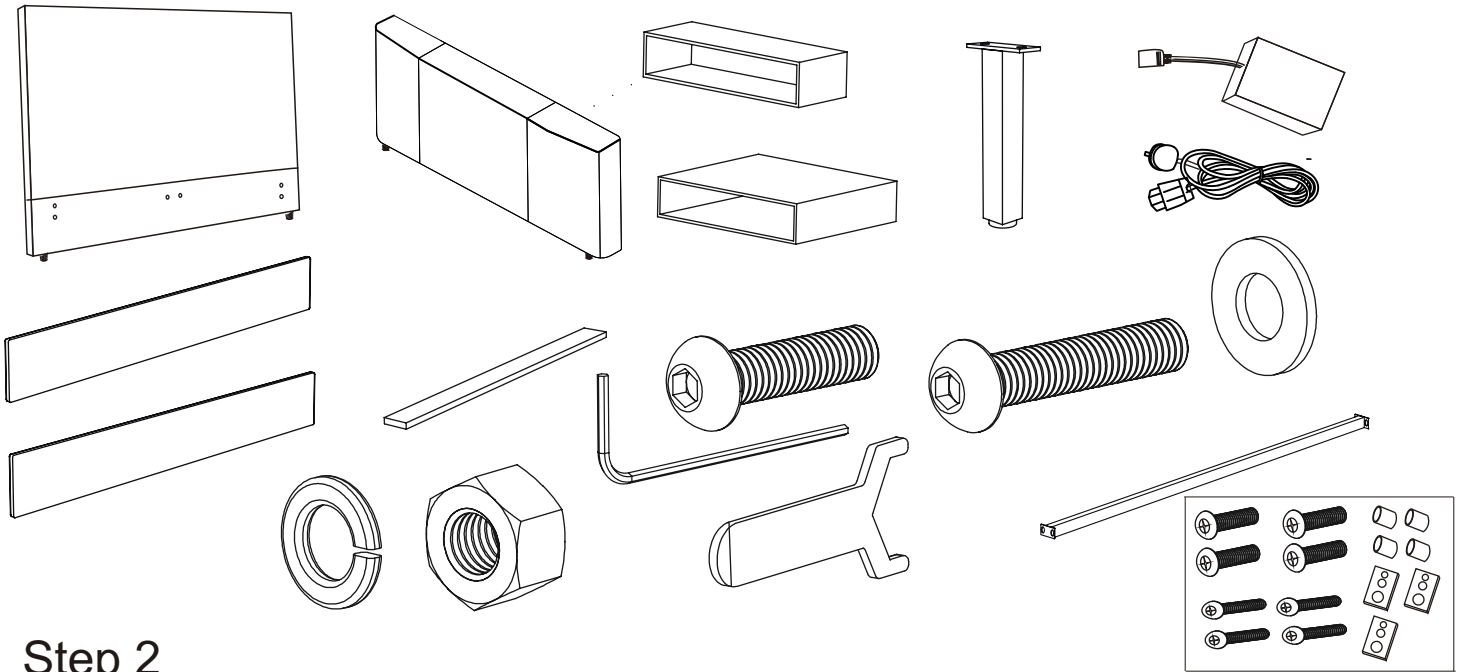
Box 3



3. Footboard (x1)

Step 1

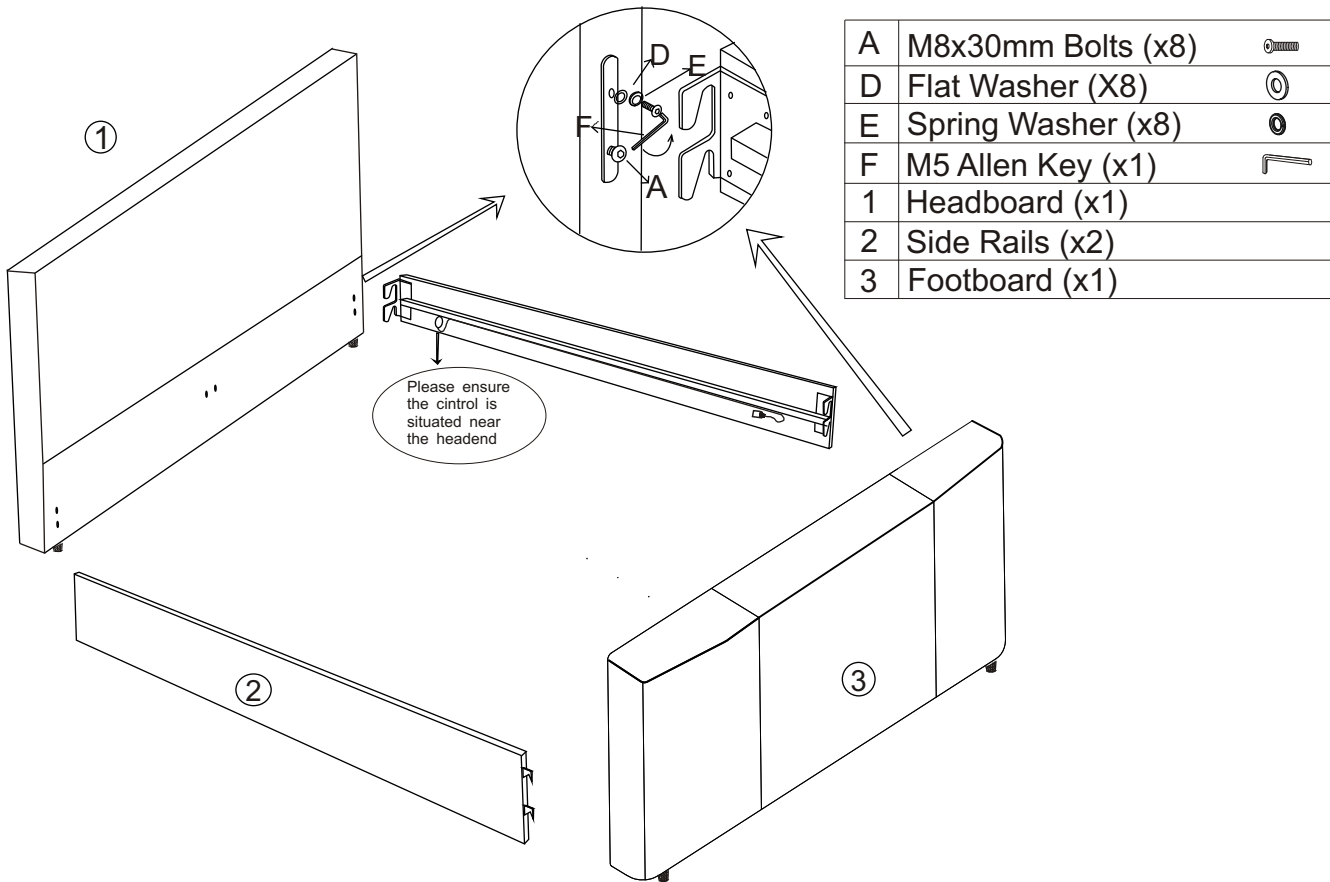
Unpack all components from the boxes and check you are not missing anything. Please check these against the list on page 3. Should you identify any missing components, please contact the retailer you purchased the bed from.



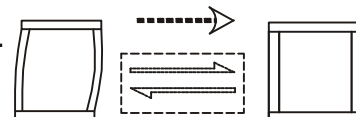
Step 2

Attach the side rails(2)to the headboard (1) and footboard (3) using hardware parts A, D, E and M5 allen key (F) .

DO NOT use any power tools as this may damage the frame and will invalidate any claim.

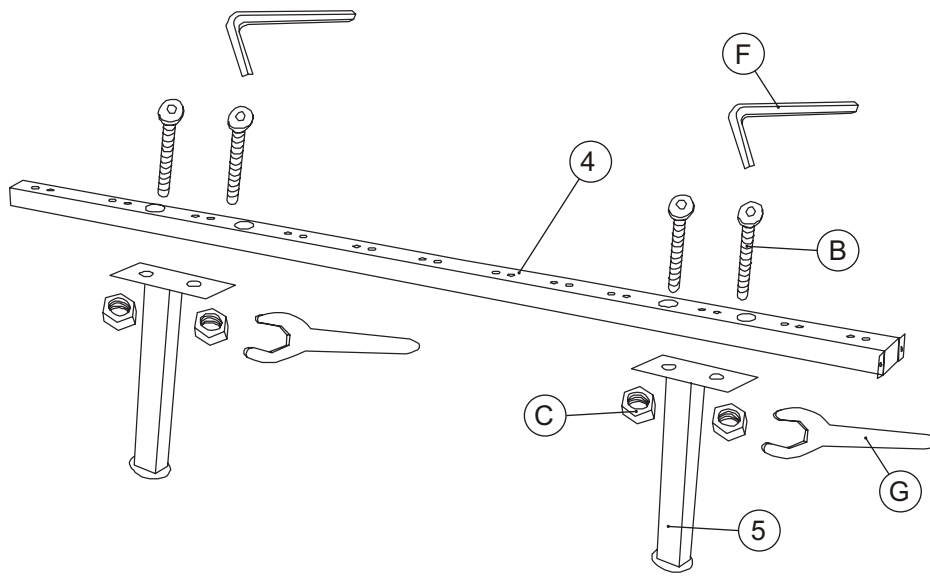






MAKE CERTAIN THE BED IS SQUARE AS SHOWN.
 Note: THEN tighten all bolts 100% using allen key



Step 3

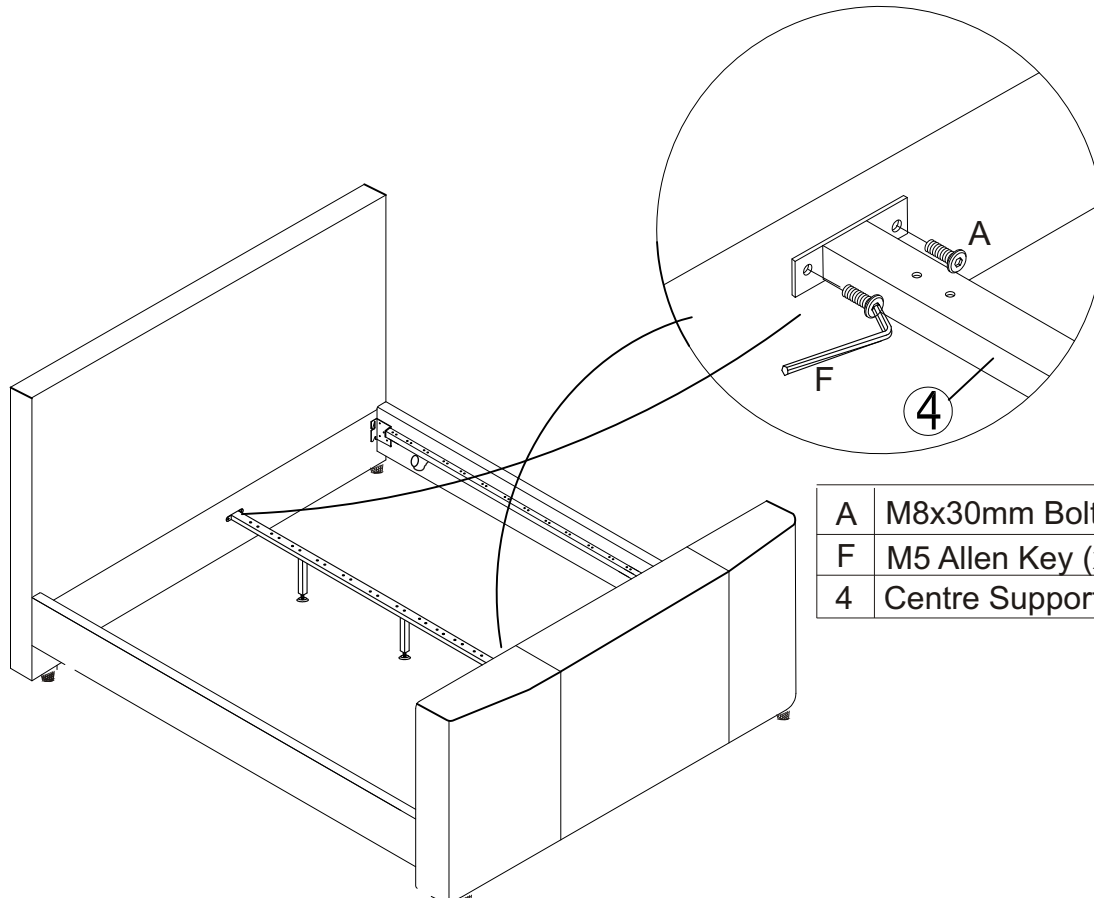
Next, attach 2x Support Leg (5) to 1x Centre Support Rail (4) using 4x M8x40mm Bolts (B), Allen Key (F), 4x Nuts (c) and Spanner (G).





B	M8x40mm Bolts (x4)	
F	M5 Allen Key (x1)	
C	Nuts (x4)	
G	Spanner (x1)	
4	Centre Support Rail (x1)	
5	Support Leg (x2)	

Step 4

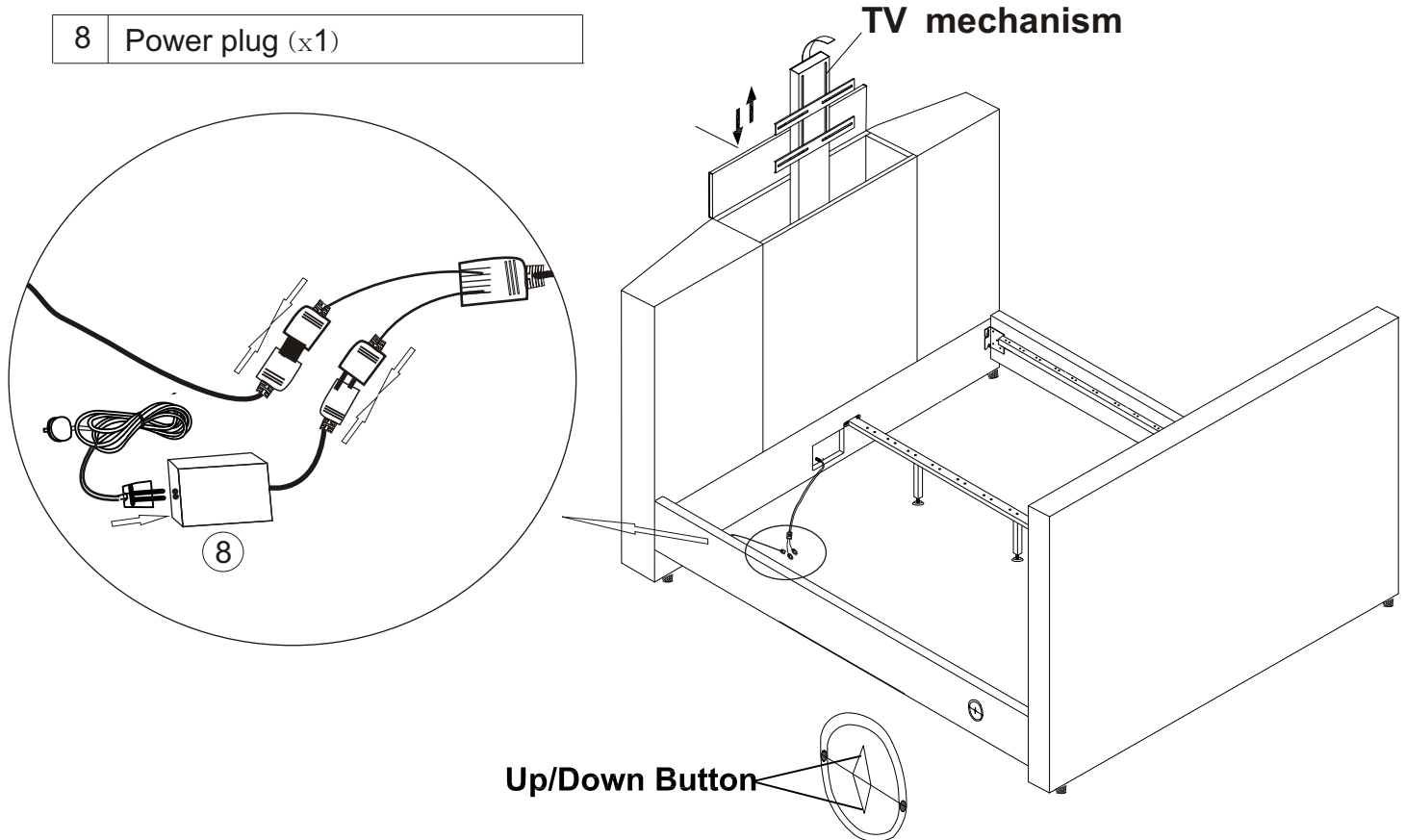
Attach the centre support bar(4)to the headboard (1) and footboard (2) using hardware parts A, F. **DO NOT use any power tools as this may damage the frame and will invalidate any claim.**



A	M8x30mm Bolts (x4)	
F	M5 Allen Key (x1)	
4	Centre Support Rail (x1)	

Step 5

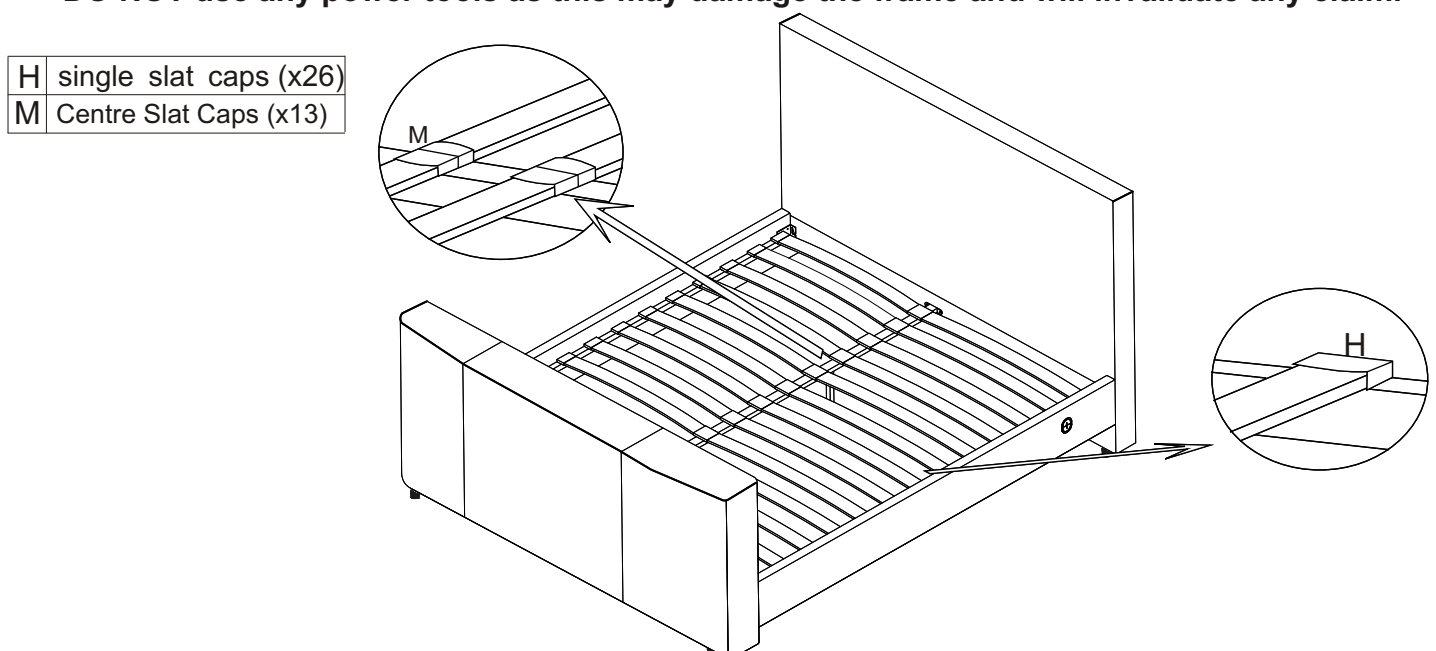
Connect the TV mechanism to the Up/Down Button, connect the TV mechanism to the Power plug (8).



Step 6

Place single slat caps (H) onto the end of each slat (7) then join the slats together with centre slat caps (M). Press firmly into the side rails(2) and centre support rail(4).

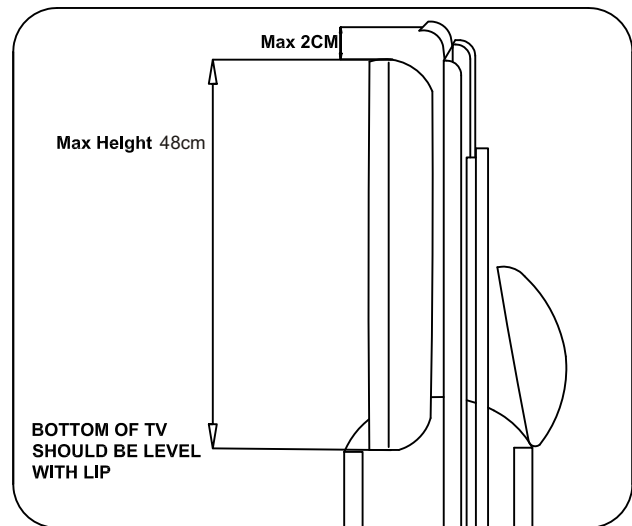
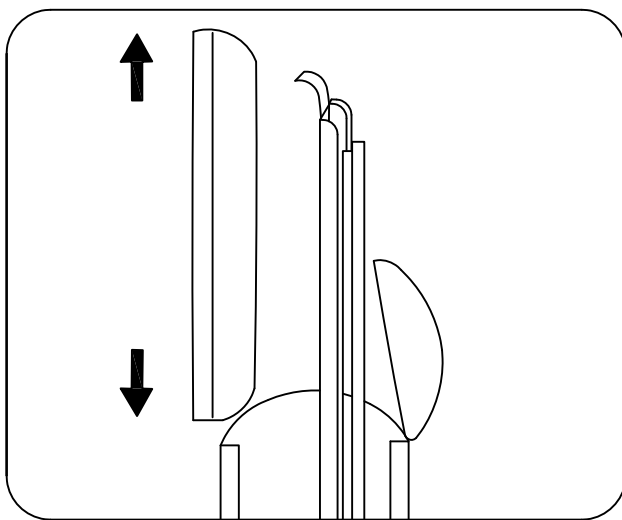
DO NOT use any power tools as this may damage the frame and will invalidate any claim.



Step 7

Step 7: Before fitting the TV to the bracket, please check your tv dimensions do not exceed the measurements specified below.

- Width = 88cm
- Depth = 6cm
- Height = 48cm

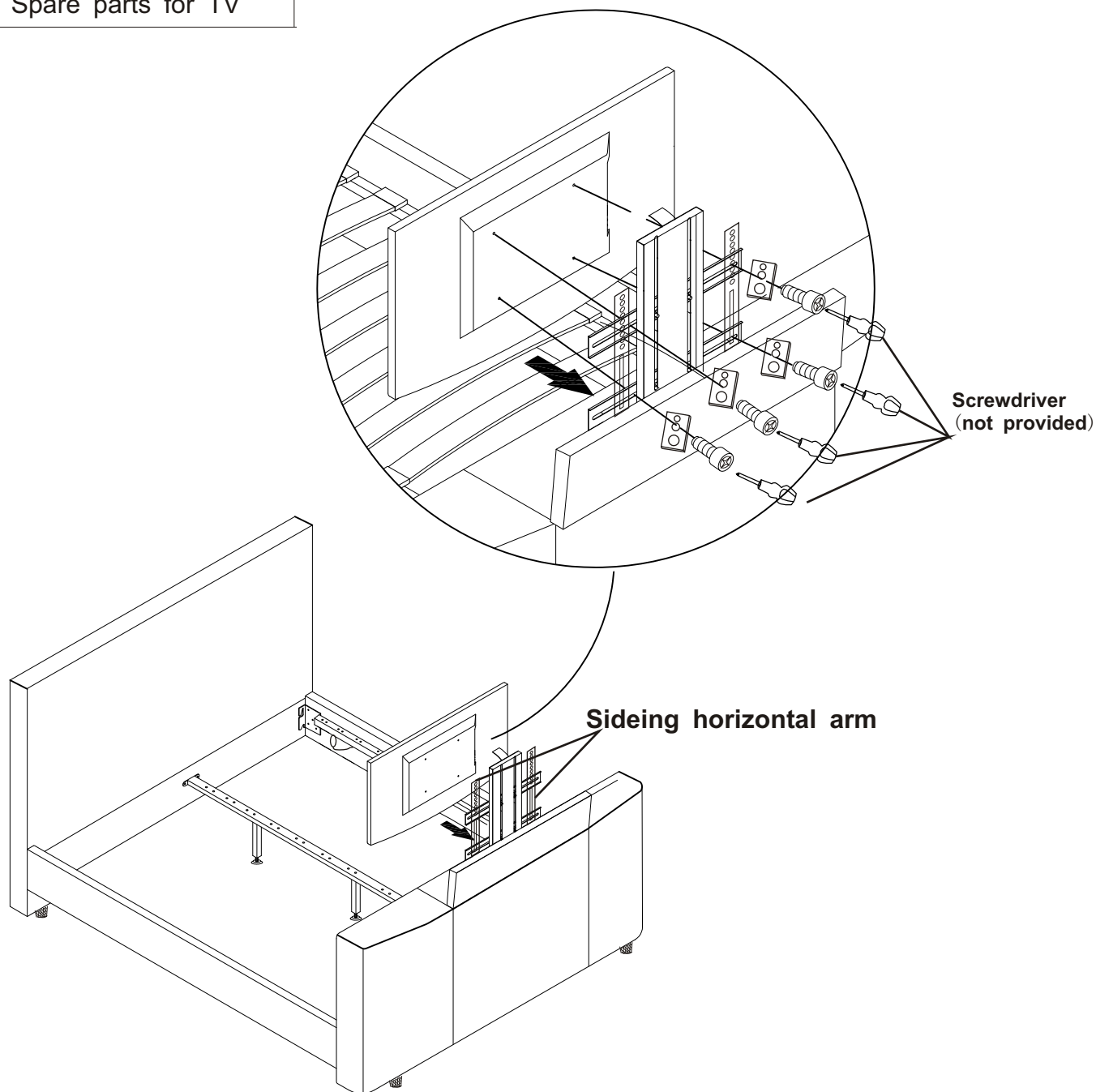


The TV mounting bracket is factory fitted. When you fit your TV please ensure it is level before using. Either use the fittings supplied by the TV manufacturer or the fittings from the TV installation kit provided with this purchase.

Step 8

Attach the TV using the appropriate screws and adjust the sliding horizontal arm to sit neatly on top of the TV.

K	Spare parts for TV
---	--------------------



IMPORTANT Please ensure the bedframe is secure before fitting the TV. 2 Persons are required for this step.

Please dispose of all packaging safely.

General Care & Maintenance

Wipe clean with a slightly damp cloth.
Avoid the use of all household cleaners and abrasives.

Periodically check all screw & fixings to ensure they are secure.
When moving your product, carefully lift into place. Never drag or push the product across the floor as this will cause damage to the joints. If the product is used on hard flooring, such as wood or laminated floor, you must place some protection under the legs to stop the product from moving. If this is not adhered to, it could result in failure to the product that will invalidate the warranty.

For more information on cleaning and product care visit:
<https://www.happybeds.co.uk/help-and-advice>

Notes

We've tried to make this product as easy to assemble as possible. In the unlikely event that you have problems putting it together or have damaged or missing pieces, please contact us by visiting:

<https://www.happybeds.co.uk/customer-service>



www.happybeds.co.uk

