

Assembly Instructions

Important before assembly:

Read these instructions carefully before assembling or using the product.

Please check the contents of the boxes before attempting to assemble this product. The instructions will have a checklist of parts and fittings.

Assemble the product as close to its intended final location/room as possible.

Health & Safety:

This product or some parts of this product will be heavy. Please use an assistant when lifting.

Please keep small parts out of reach of children.

Always use on a level, even surface.

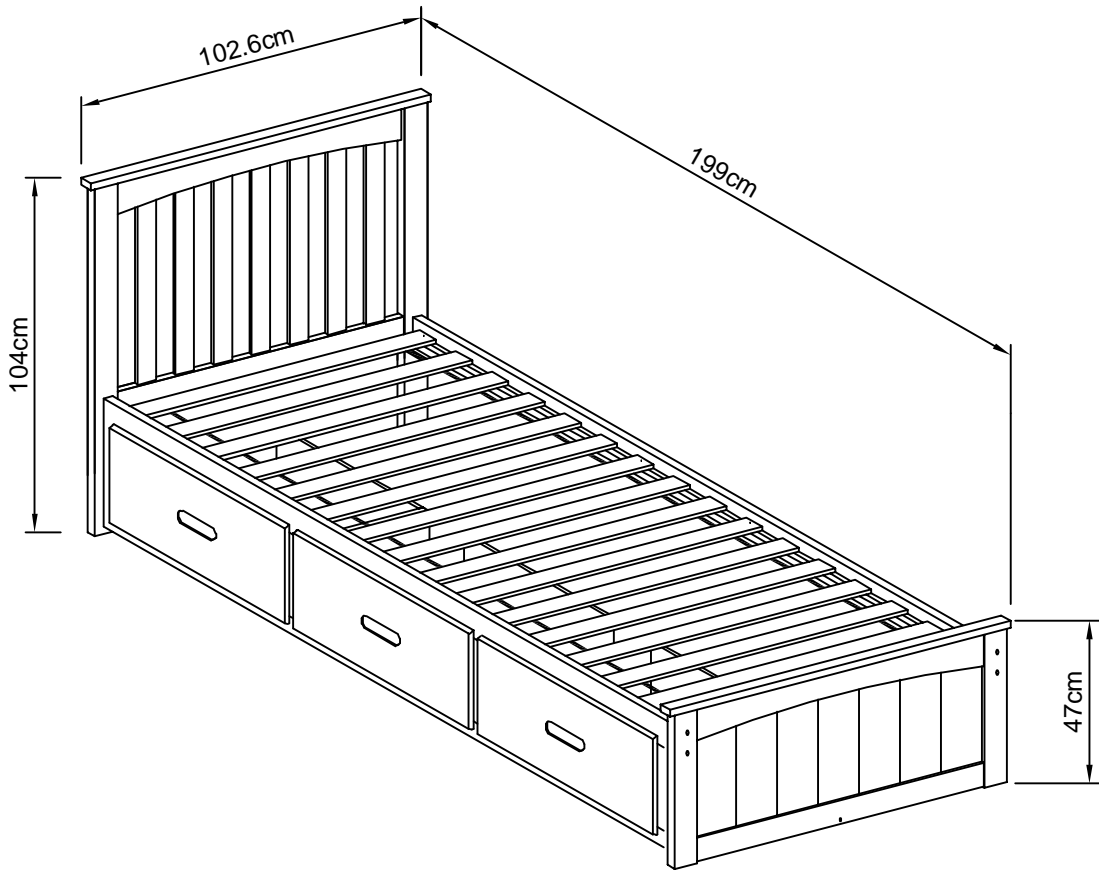
DO NOT jump on the product or any of its parts.

DO NOT use this product if any parts are missing, damaged or worn.

DO NOT use this product unless all fixings are secured.

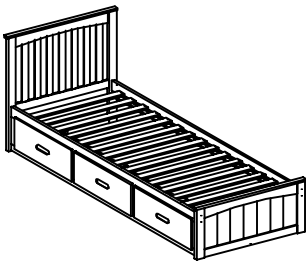
Further instructions are on the following pages.

Please keep these instructions for future reference.

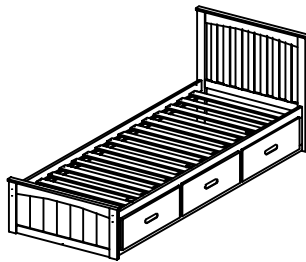


Drawers side of this bed is interchangeable.

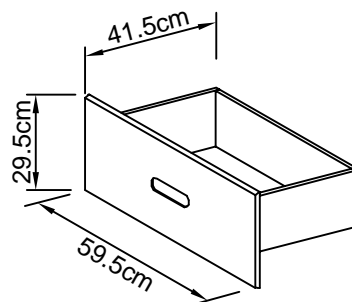
Option 1: Left Handside



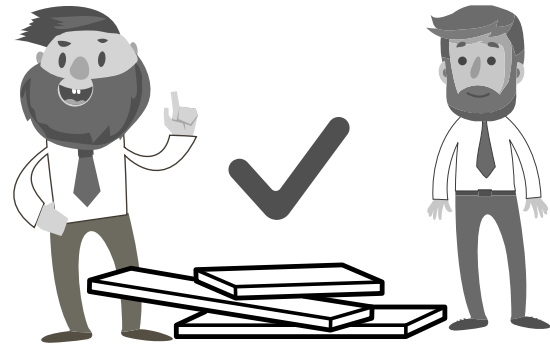
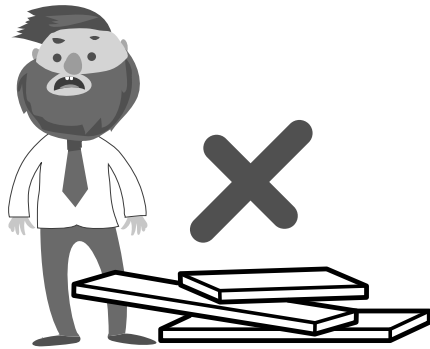
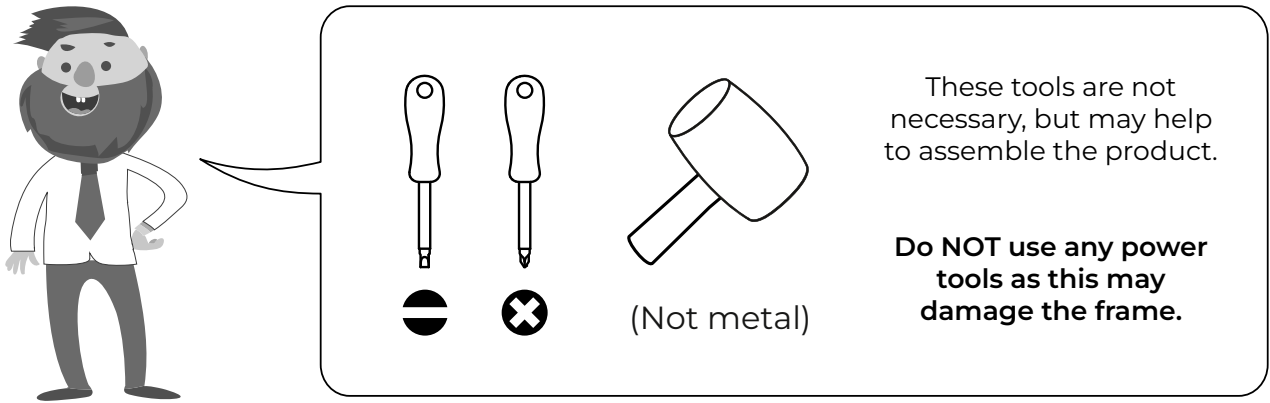
Option 2: Right Handside



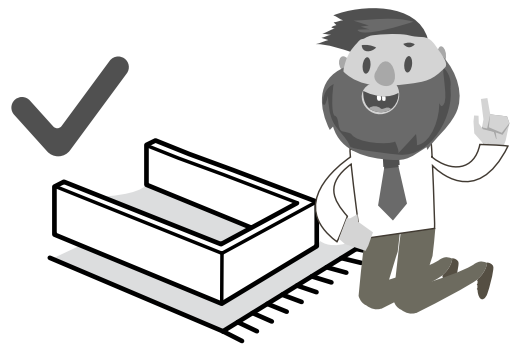
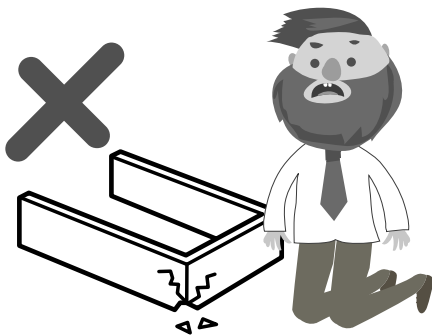
Assembled Drawer Dimensions.



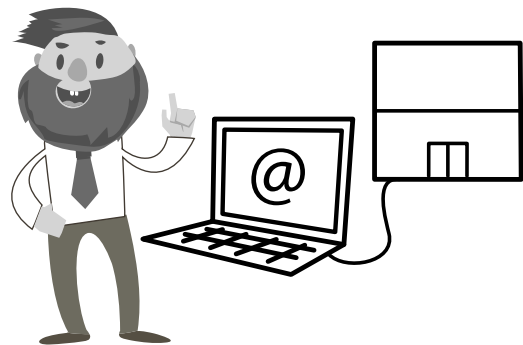
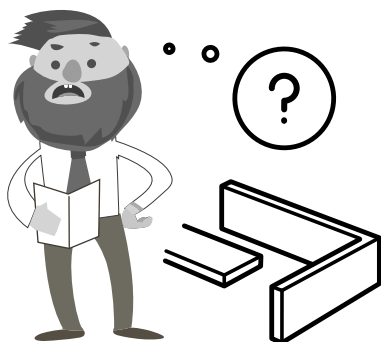
All dimensions are approximate.



This product or some parts of this product will be heavy. Please use an assistant when lifting.



Never drag or push the pieces across a hard or stone floor as this will cause damage to the joints. Use a carpet or a rug for extra care.



If you have problems assembling or have damaged or missing pieces, please contact our customer services (details at the back of these instructions)

PART LIST

Model : Quest 3 Drawer Bed

Carton 1 of 2

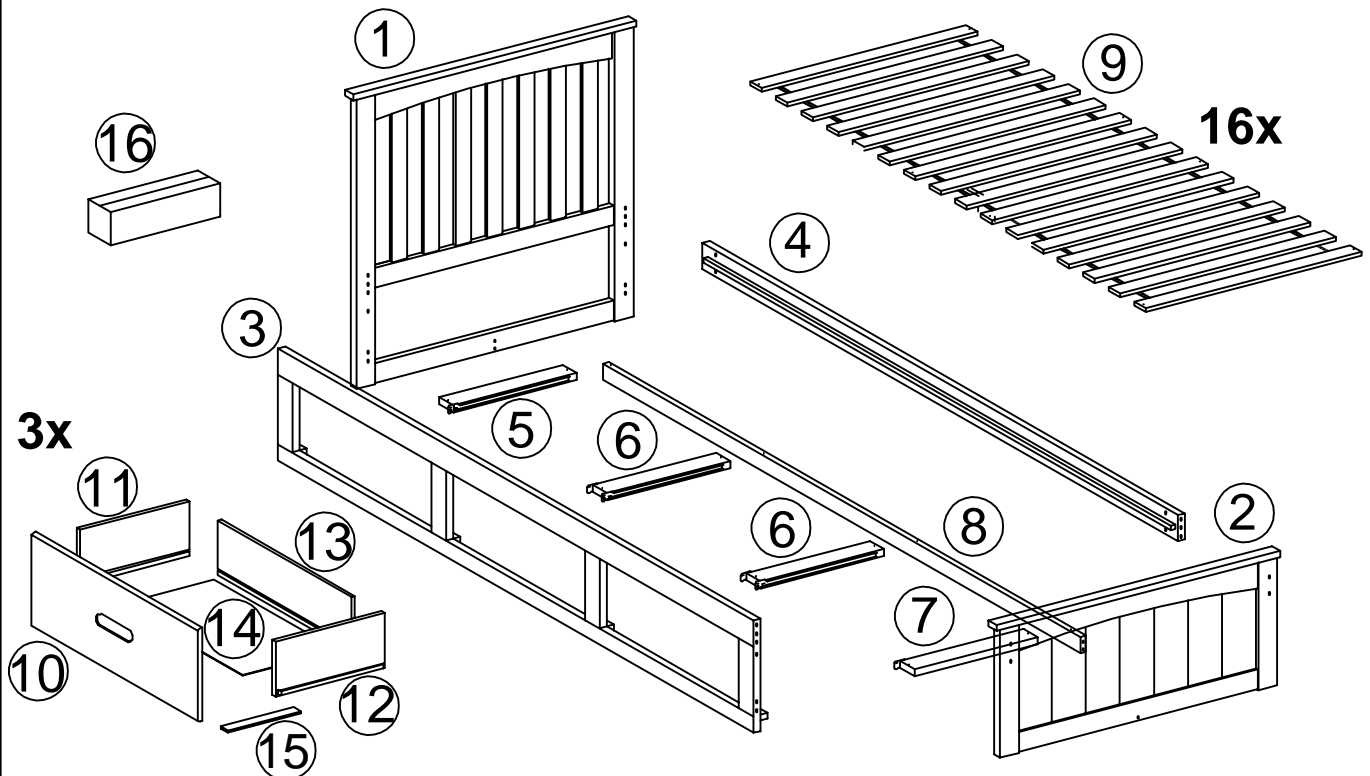
No.	Part Name	Qty
1	Headboard	1
2	Footboard	1
9	Slat	16

Carton 2 of 2

3	Front	1
4	Side Rail (Back)	1
5	Drawer Support (Left)	1
6	Drawer Support (Center)	2
7	Drawer Support (Right)	1
8	Crossbeam	1
10	Drawer Front	3
11	Drawer Side (Left)	3
12	Drawer Side (Right)	3
13	Drawer Back	3
14	Drawer Bottom Base	3
15	Drawer Bottom Base Support	3
16	Hardware (Box)	1

Remarks:

Part #5, #6, #7, #11 & #12 pasted with part number. The rest are not pasted with part number.



HARDWARE LIST



A

JCBC M6 x 70mm

10 Pcs



B

JCBC M6 x 50mm

10 Pcs



C

Barrel Nut M6

8 Pcs



D

Dowel M10 x 40mm

10 Pcs



E

Dowel M6 x 30mm

36 Pcs



F

PH Screw 25mm

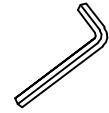
30 Pcs



G

CSK M4 x 32mm

8 Pcs



H

Allen Key M4

1 Pcs



Sticker

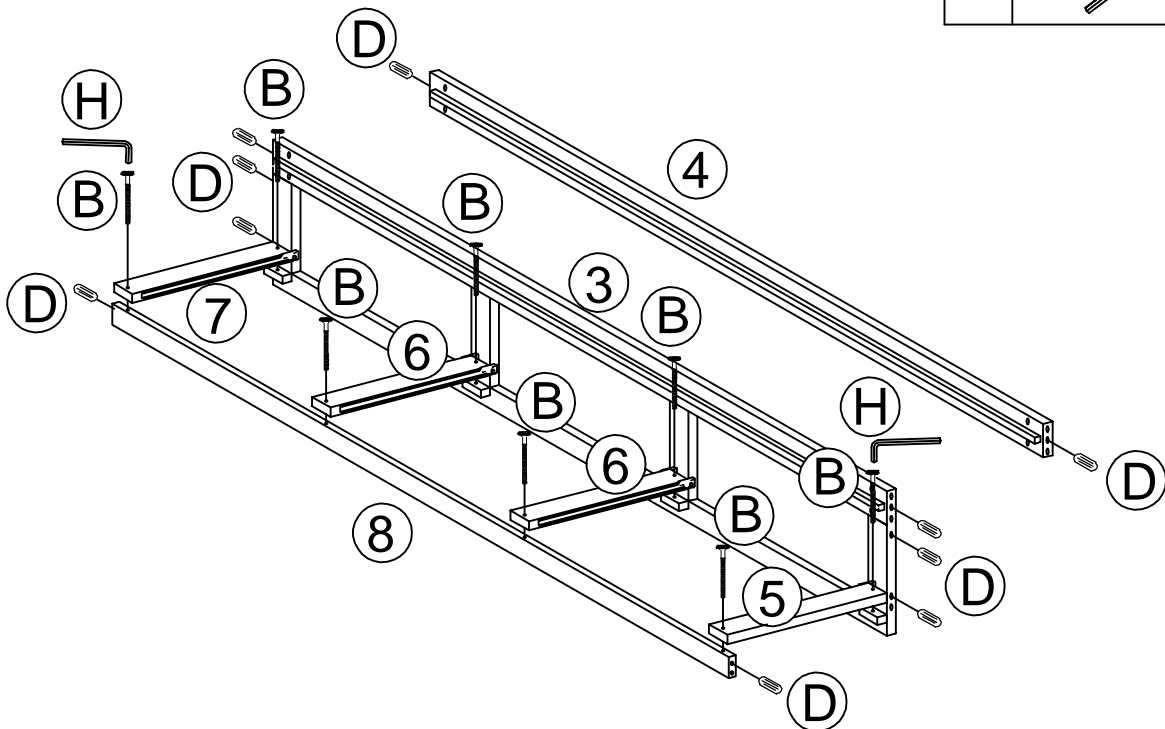
10 Pcs

(This sticker is used
for Step 12)

Step 1





DO NOT use any power tools as this may damage the frame and will invalidate any claim.

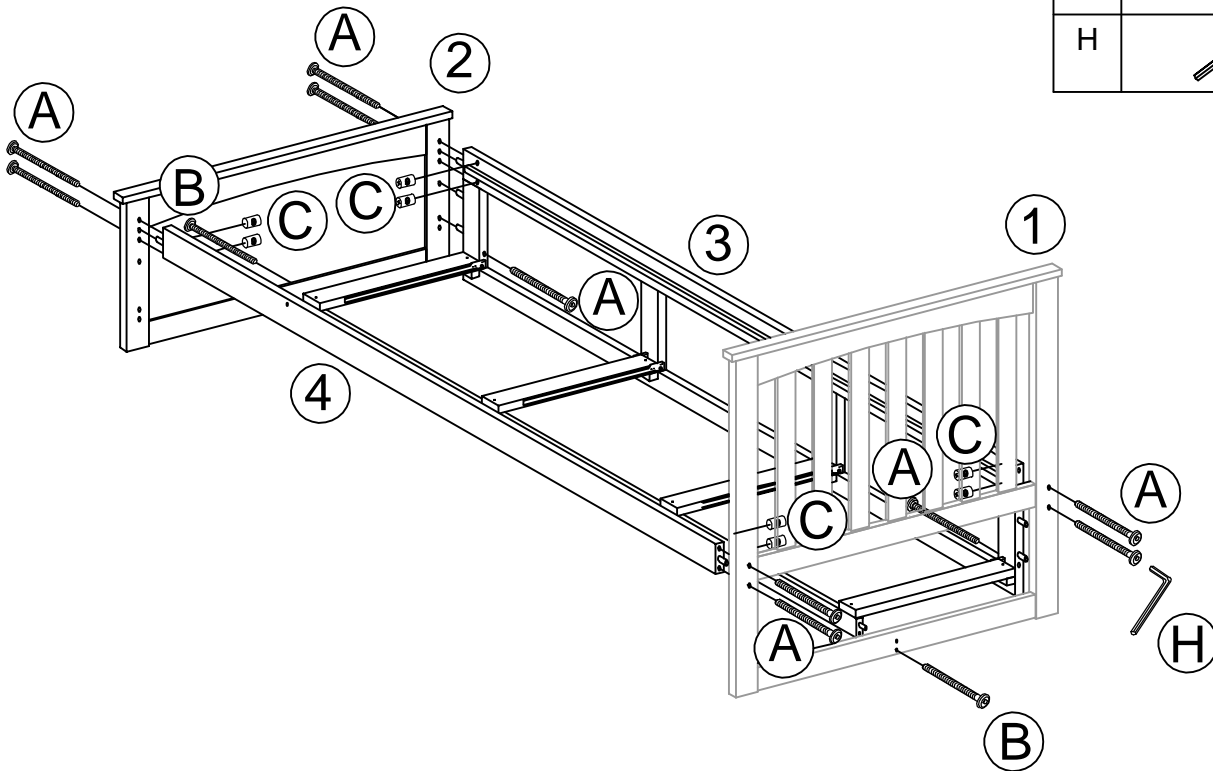
B		8
D		10
H		1



Step 2 DO NOT use any power tools as this may damage the frame and will invalidate any claim.





Option 1: Drawers On Left Hand Side

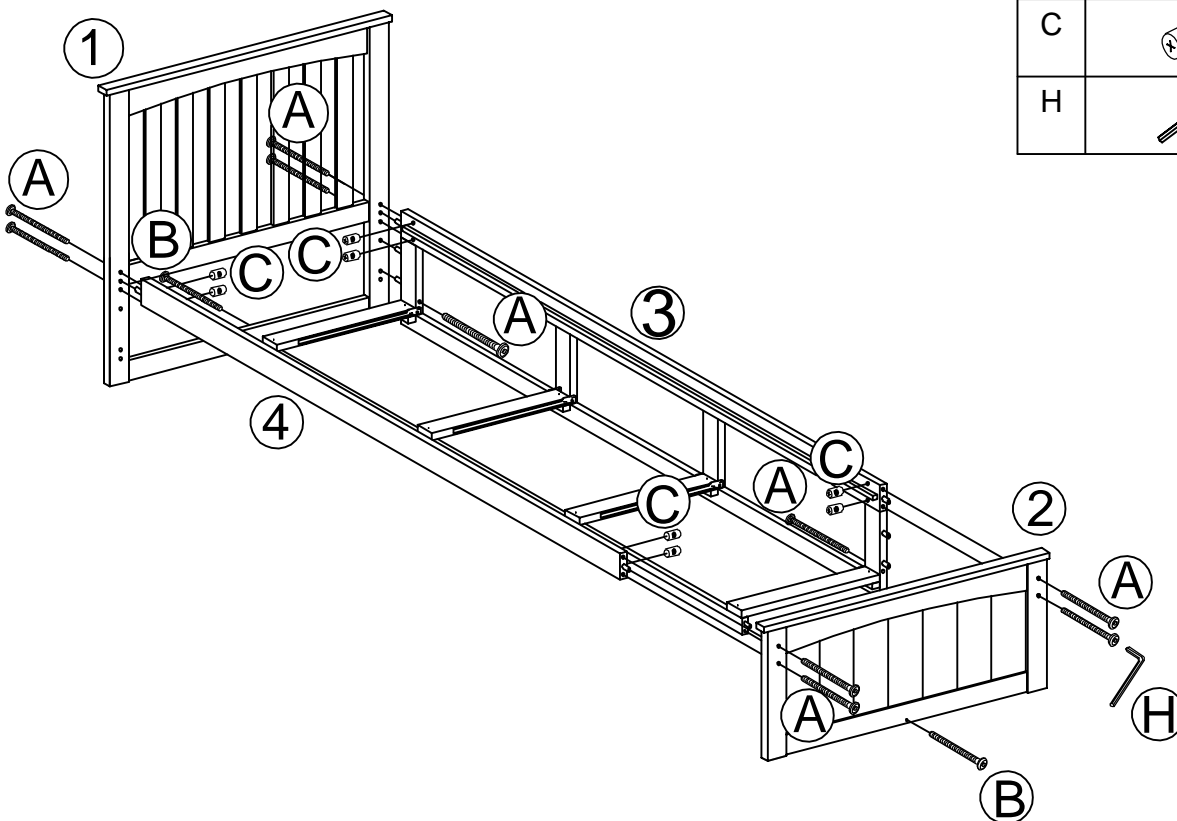
A		10
B		2
C		8
H		1




Step 3 DO NOT use any power tools as this may damage the frame and will invalidate any claim.

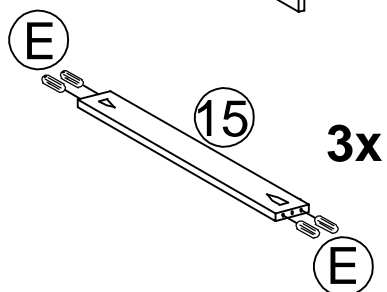
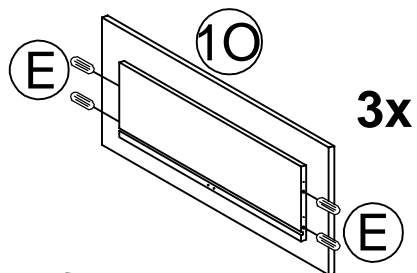
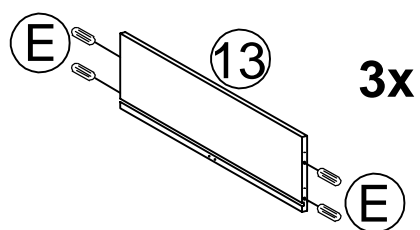
Option 2: Drawers On Right Hand Side

A		10
B		2
C		8
H		1

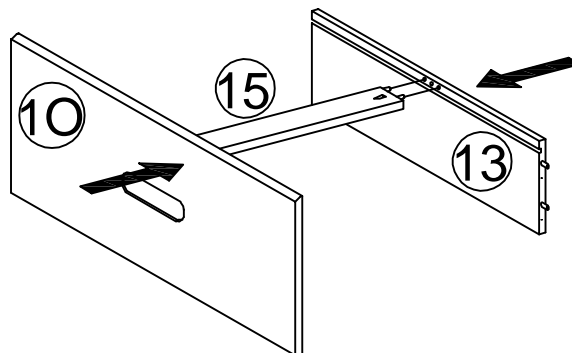


Step 4 DO NOT use any power tools as this may damage the frame and will invalidate any claim.


E		36
---	--	----



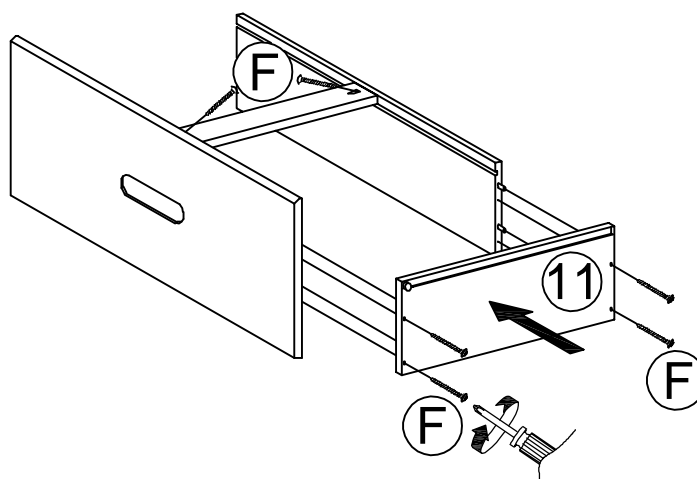
3x Drawer Bottom View



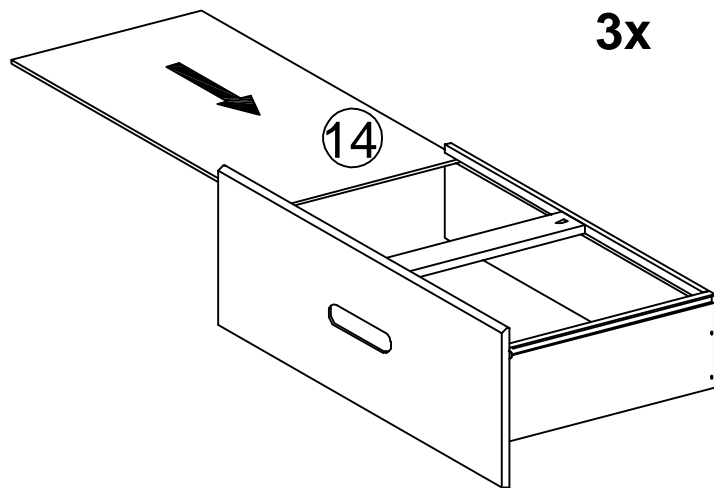
Step 5 DO NOT use any power tools as this may damage the frame and will invalidate any claim.

F		18
---	---	----

3x




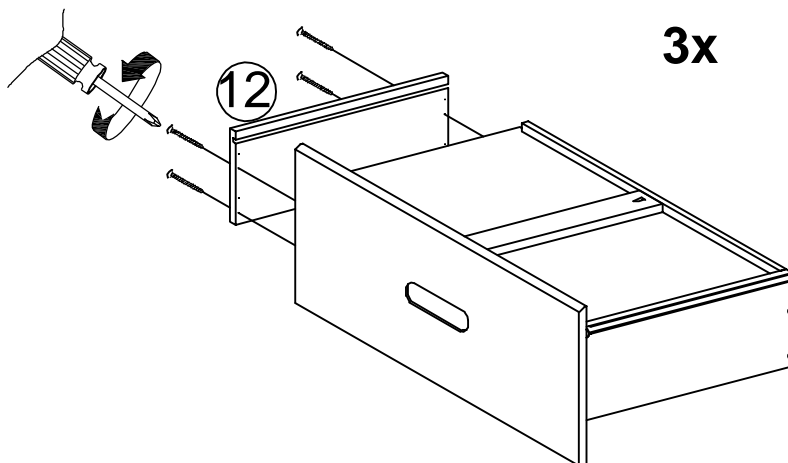
Step 6



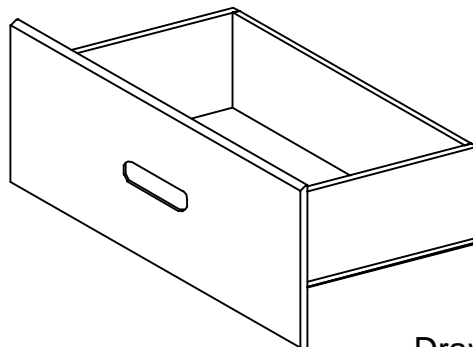
Step 7

DO NOT use any power tools as this may damage the frame and will invalidate any claim.

F		12
---	---	----




Step 8

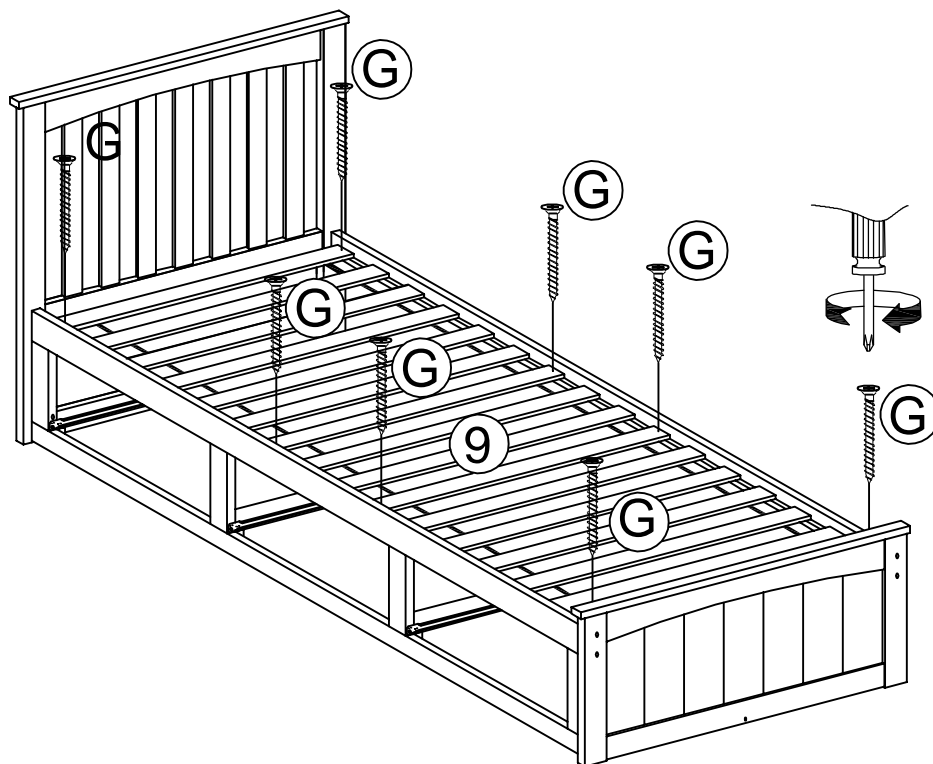


Drawers Complete Assembled

Step 9

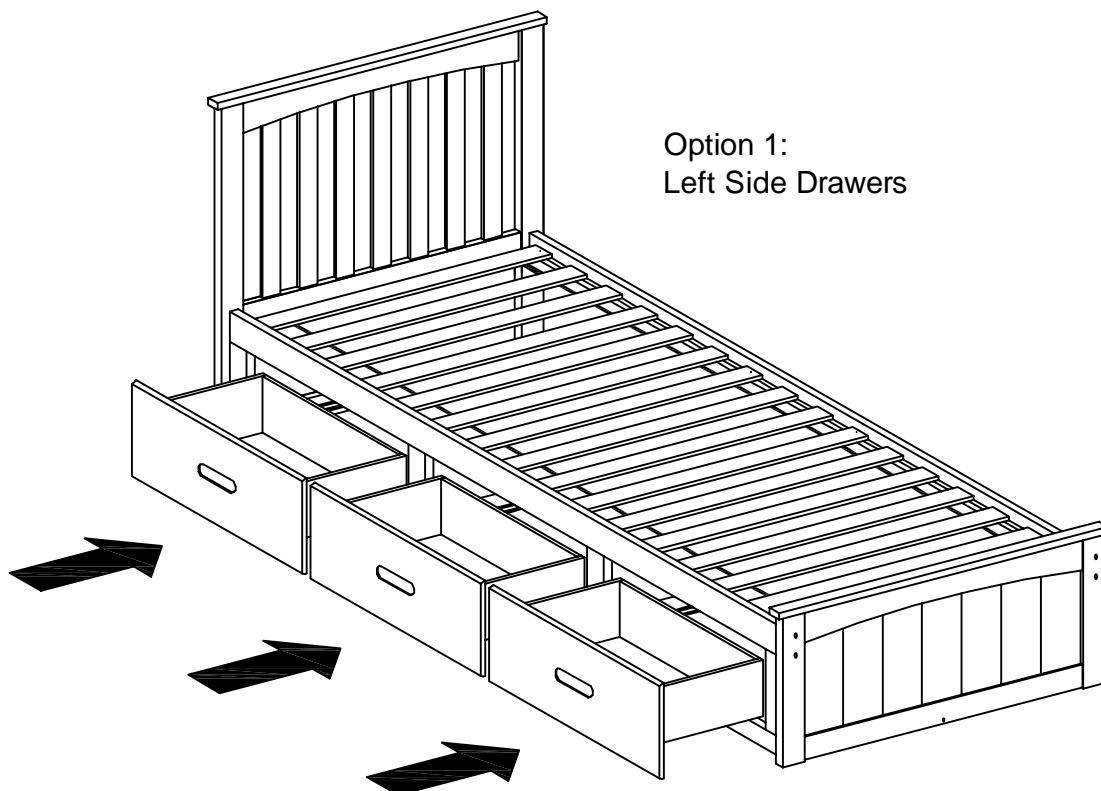
DO NOT use any power tools as this may damage the frame and will invalidate any claim.

G		8
---	---	---



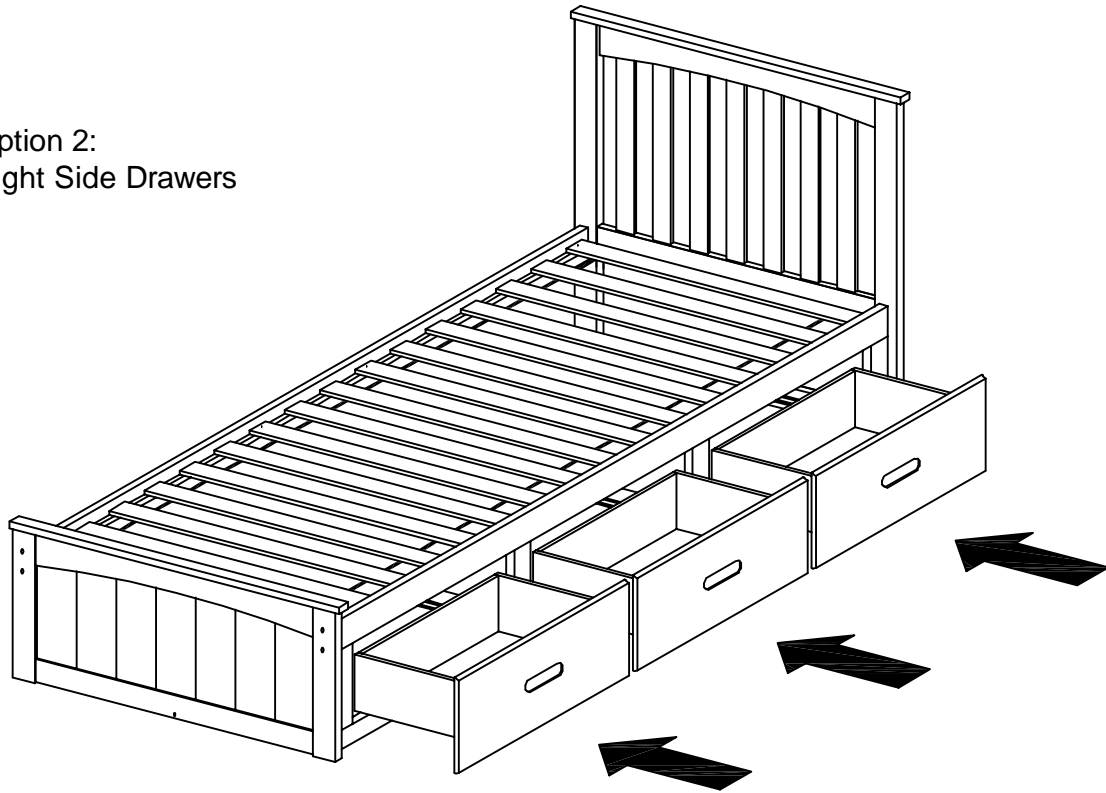
Step 10

Insert Drawer Into Bed Frame

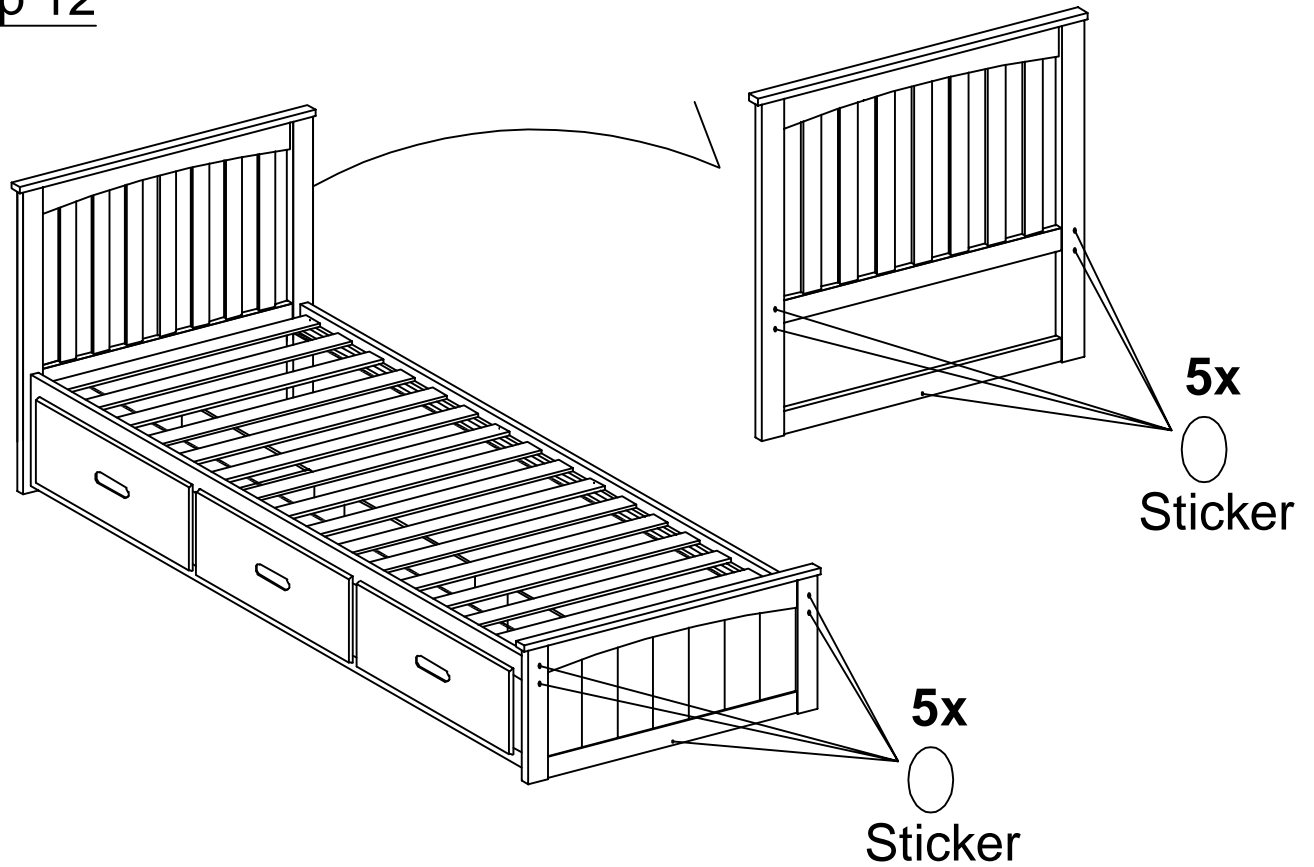


Step 11

Option 2:
Right Side Drawers



Step 12



Your Quest Bed is now ready to use.

Please dispose of all packaging safely.

General Care & Maintenance

Wipe clean with a slightly damp cloth.
Avoid the use of all household cleaners and abrasives.

Periodically check all screw & fixings to ensure they are secure.

When moving your product, carefully lift into place. Never drag or push the product across the floor as this will cause damage to the joints. If the product is used on hard flooring, such as wood or laminated floor, you must place some protection under the legs to stop the product from moving. If this is not adhered to, it could result in failure to the product that will invalidate the warranty.

For more information on cleaning and product care visit:
<https://www.happybeds.co.uk/help-and-advice>

Notes

In the unlikely event that you have problems putting this product together or have damaged or missing parts, please contact us by visiting:
<https://www.happybeds.co.uk/customer-service>