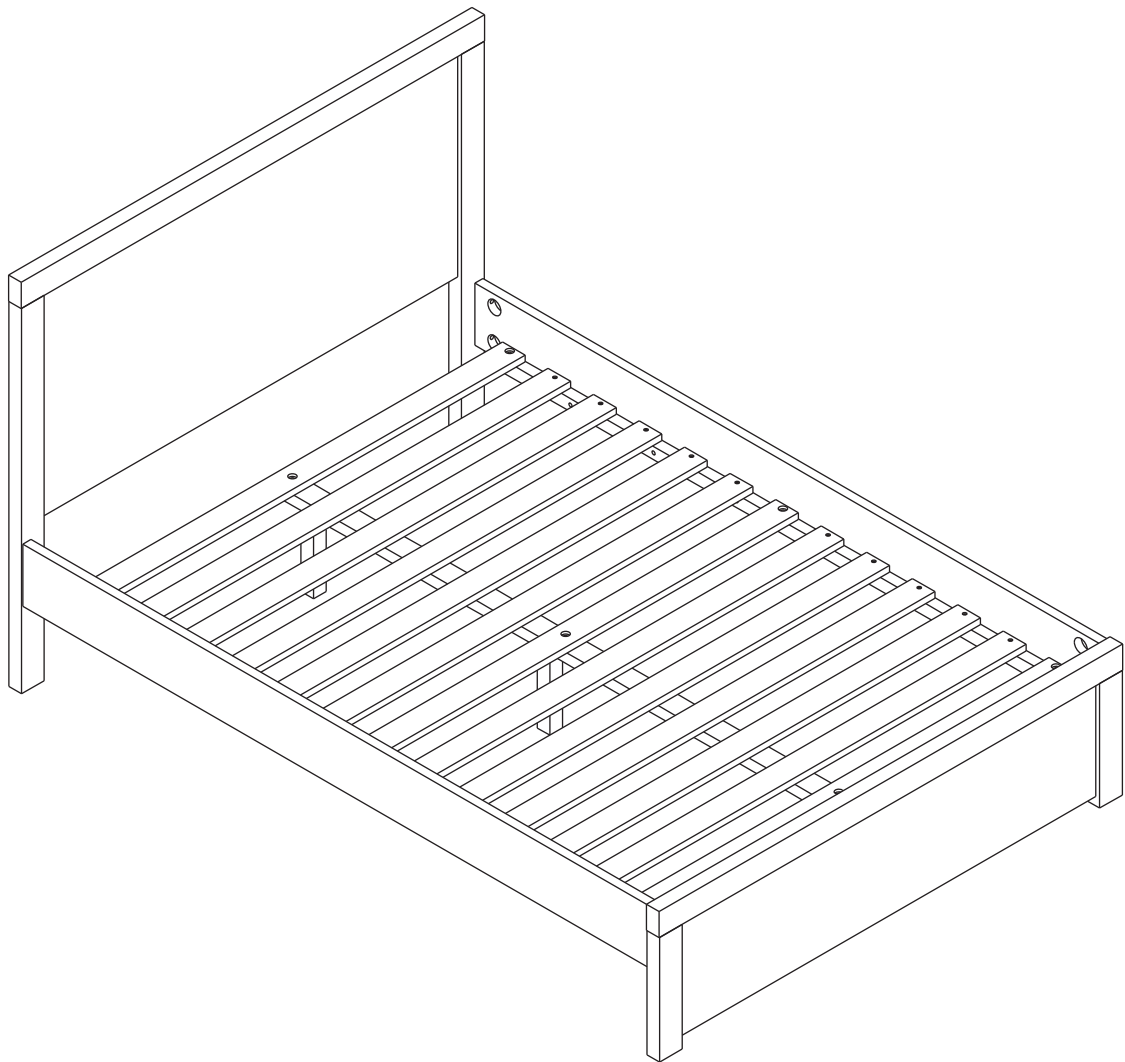


# Happy beds™

[www.happybeds.co.uk](http://www.happybeds.co.uk)

Assembly Instructions

## Rodley Standard Bed



# Happy beds™

[www.happybeds.co.uk](http://www.happybeds.co.uk)

## Thank you for purchasing with Happy Beds!

### Important before assembly:

Please read these instructions carefully before assembling or using the product.

Please check the contents of each box before attempting to assemble this product. The instructions will have a checklist of parts and fittings.

Try to assemble the product as close to its intended final location / room as possible.

## Happy with your purchase?

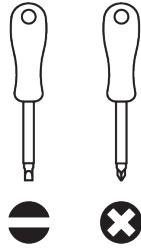
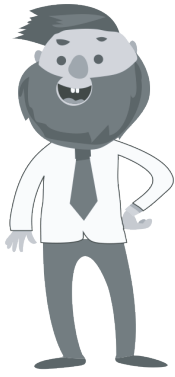


Yes: We would love to hear more from you! Please share your experience on TrustPilot or our social media channels.



No: We're so sorry to hear this! Please contact us by scanning the QR code or visit us at [www.happybeds.co.uk/customer-service](http://www.happybeds.co.uk/customer-service) and someone will be happy to help.

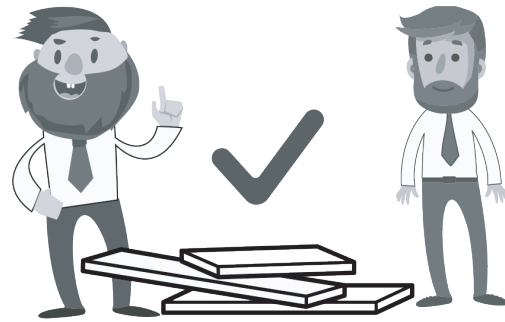
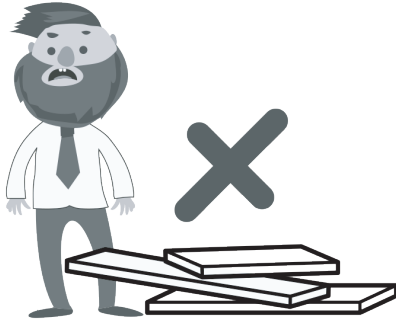




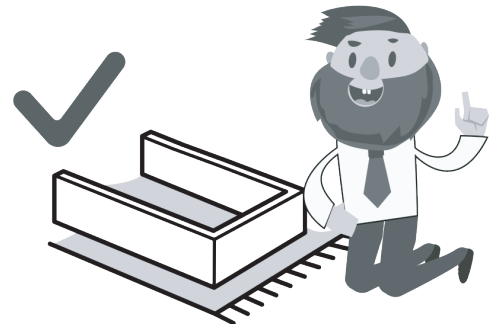
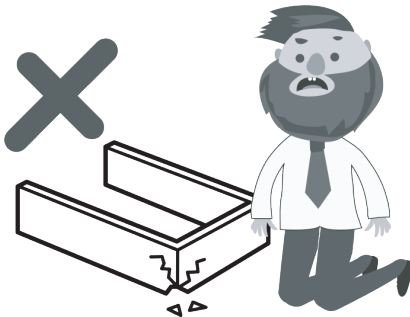
(Not metal)

These tools are not necessary, but may help to assemble certain parts of the product.

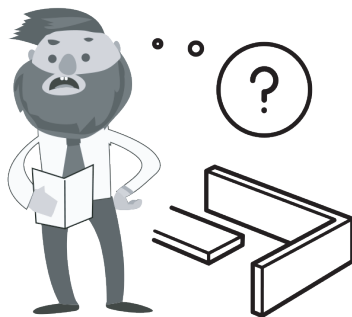
Do NOT use any power tools as this may damage the frame.



This product or some parts of this product will be heavy. Please use an assistant when lifting.



Never drag or push the pieces across a hard or stone floor as this will cause damage to the joints. Use a carpet or a rug for extra care.



If you have problems assembling or have damaged or missing pieces, please contact us by visiting:

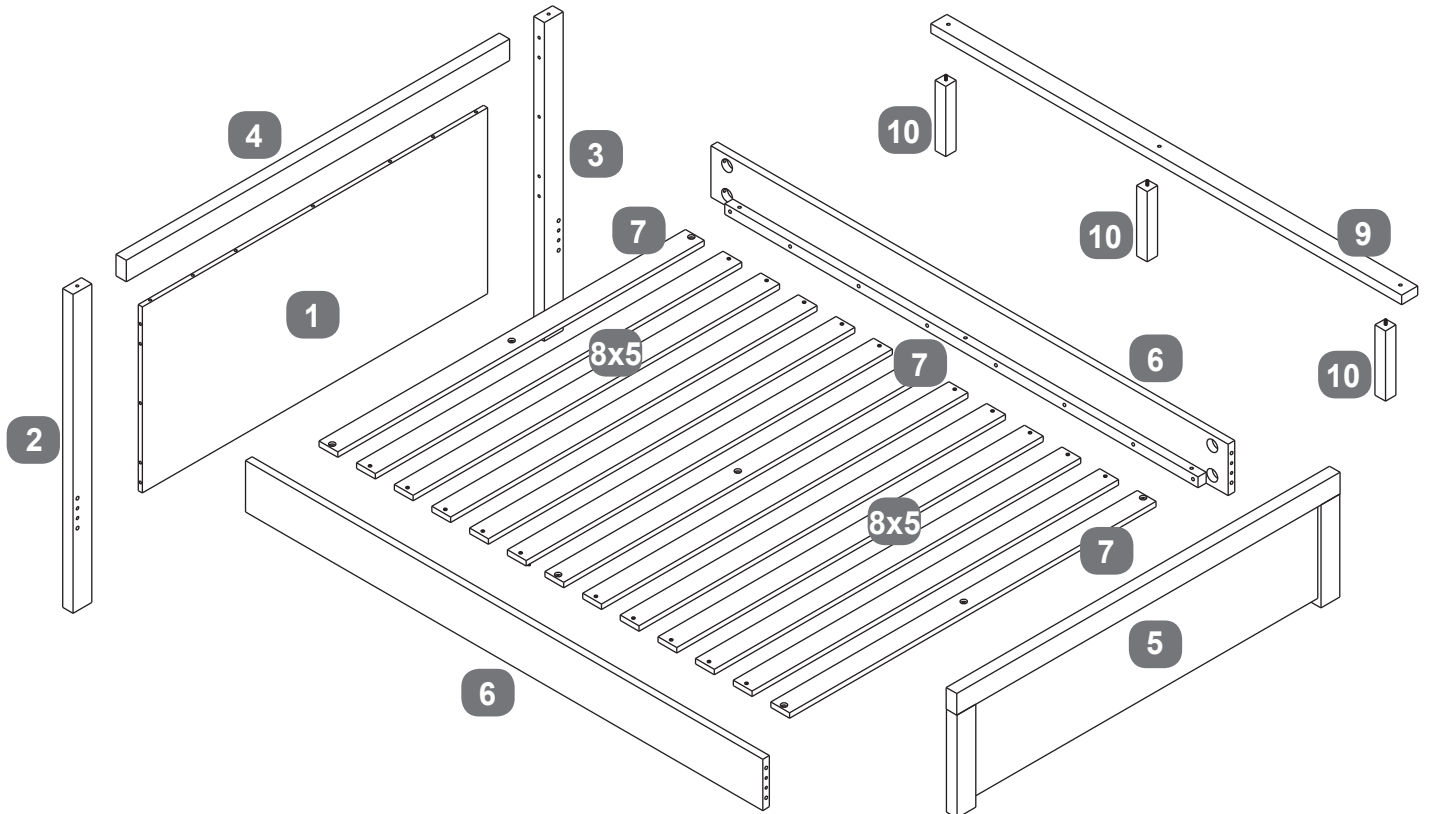
<https://www.happybeds.co.uk/customer-service>

# Happy beds™

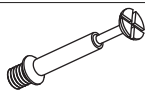

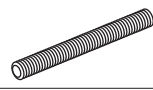
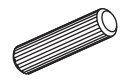



www.happybeds.co.uk

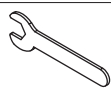
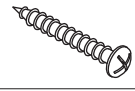
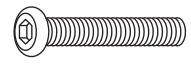

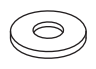
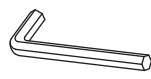

No	Part List	Qty	Box
1	Inner panel for headboard	1 pc	1
2	LH headboard leg	1 pc	1
3	RH headboard leg	1 pc	1
4	Top rail for headboard	1 pc	1
5	Footboard	1 pc	1

No	Part List	Qty	Box
6	Side rails	2 pcs	2
7	End & central wooden slats	3 pcs	2
8	Normal wooden slats	10 pcs	2
9	Centre support rail	1 pc	2
10	Centre support legs	3 pcs	2

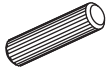


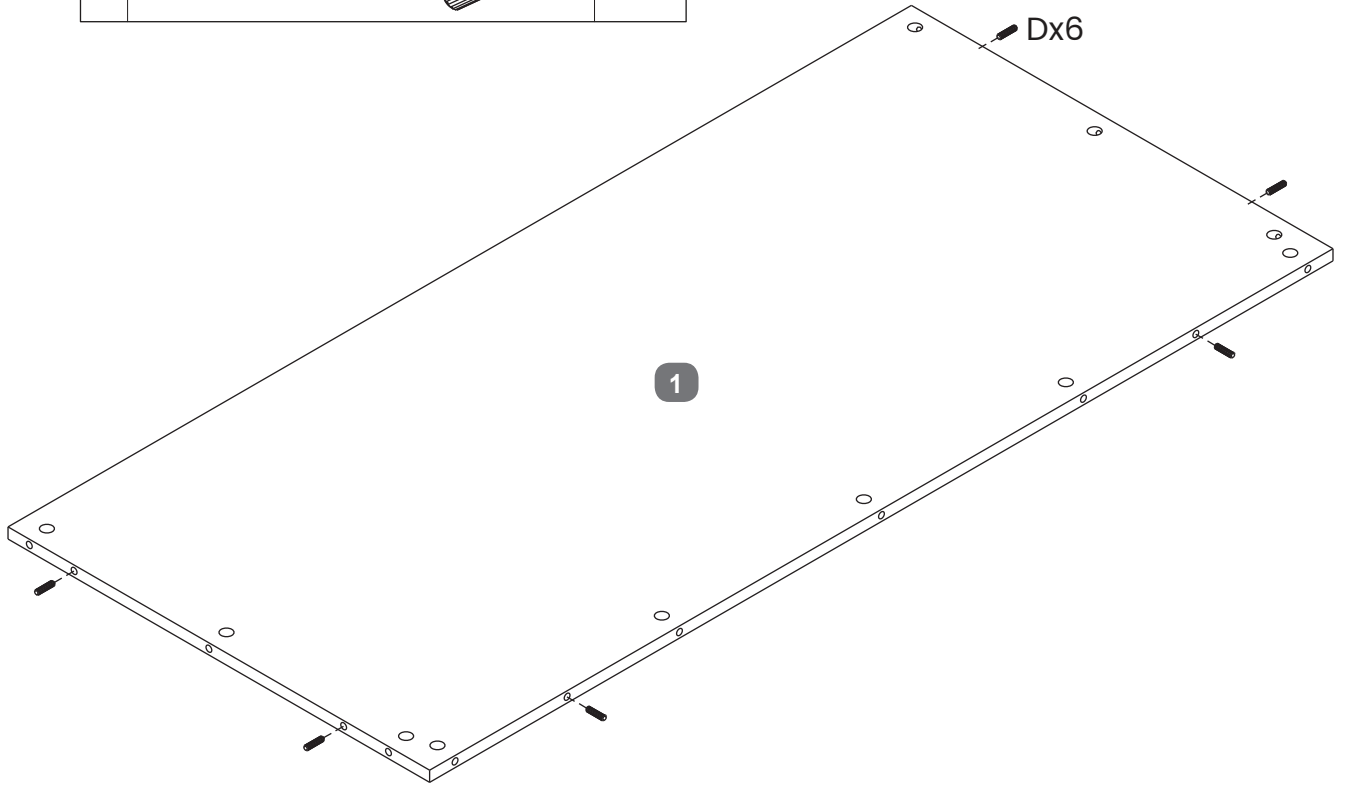
## HARDWARE NEEDED FOR BED ASSEMBLY (PACK A)

No	Hardware List	Qty	Box
A	Cam bolt 	13 pcs	2
B	Cam lock 	13 pcs	2
C	Threaded stud (M8x90mm) 	8 pcs	2
D	Dowel (Ø8x30mm) 	14 pcs	2
E	Nuts for M8 stud 	8 pcs	2
F	Half-moon bracket 	8 pcs	2
G	Spring washer for M8 stud 	8 pcs	2

No	Hardware List	Qty	Box
H	Spanner for M8 nuts 	1 pc	2
J	Screw (Ø4x30mm) 	20 pcs	2
K	Bolt (M6x30mm) 	9 pcs	2
L	Spring washer for M6 bolts 	9 pcs	2
M	Flat washer for M6 bolts 	9 pcs	2
N	Allen key for M6 bolts 	1 pc	2
P	Flat washer for M8 stud 	8 pcs	2

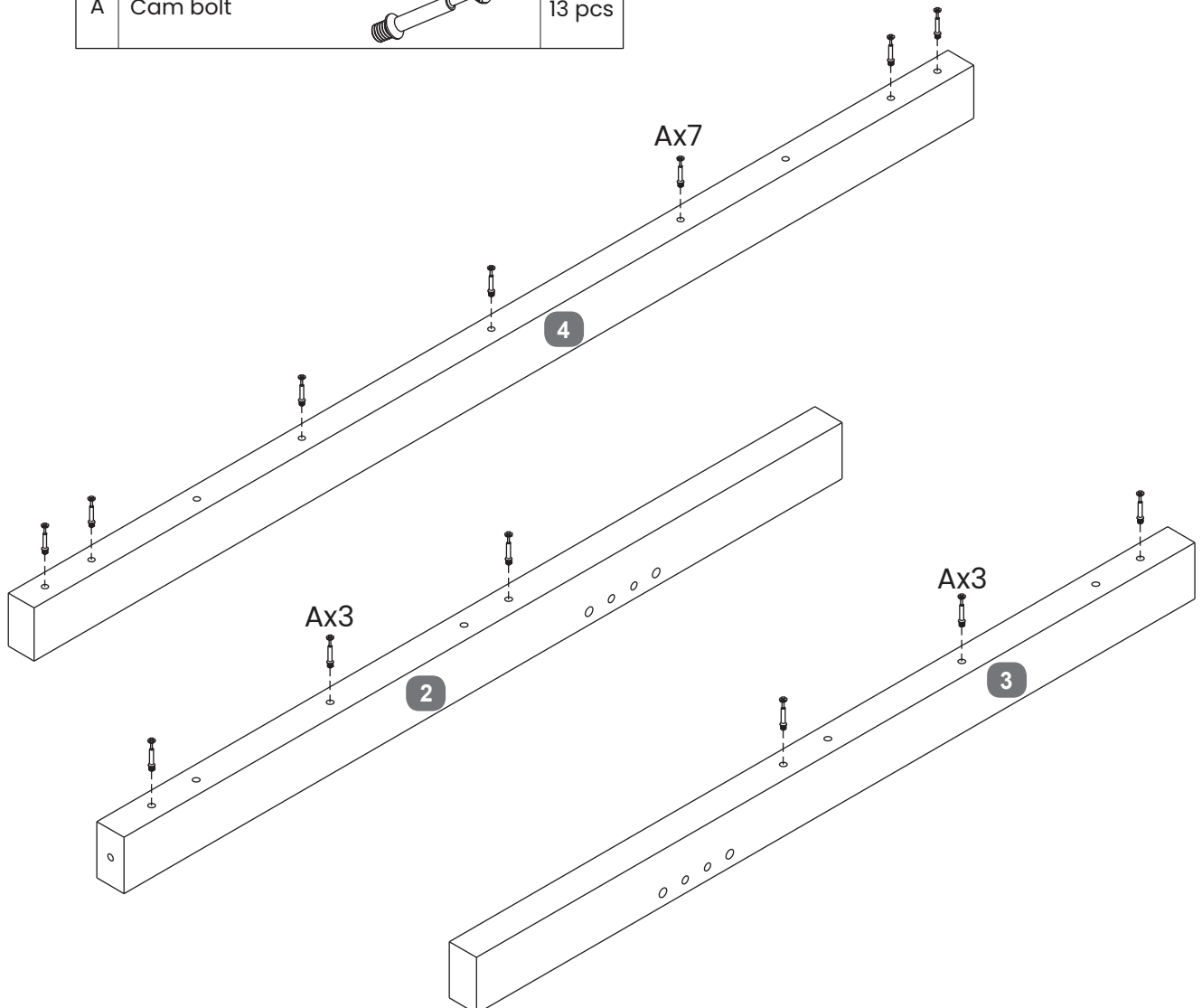
**Step 1:**

D	Dowel (Ø8x30mm)		6 pcs
---	-----------------	--	-------



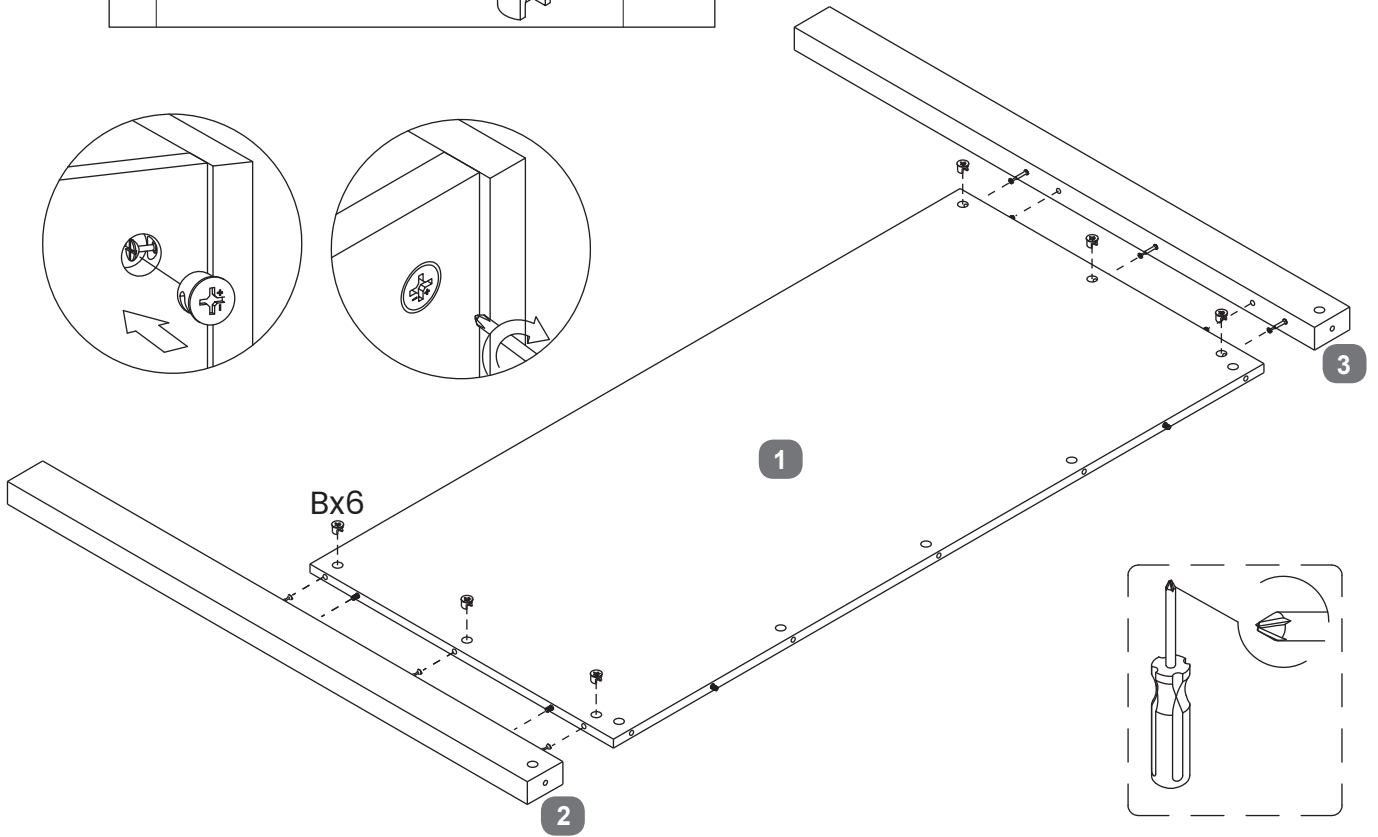
**Step 2:**

A	Cam bolt		13 pcs
---	----------	---	--------



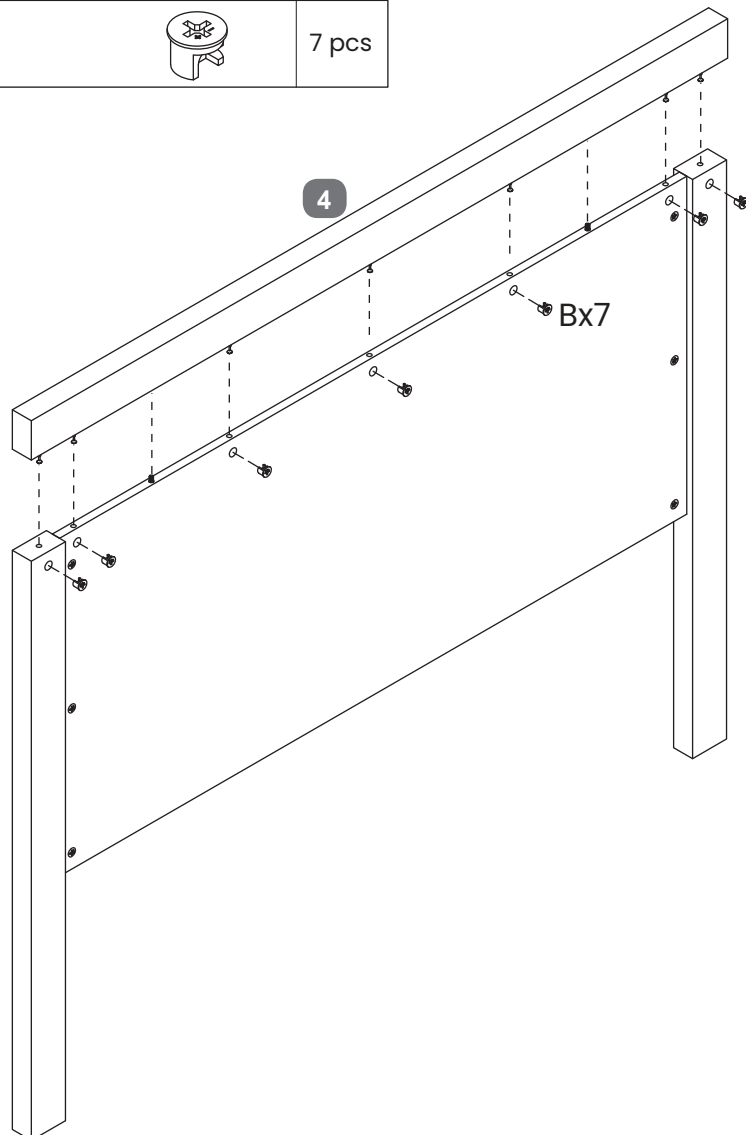
**Step 3:**

B	Cam lock		6 pcs
---	----------	--	-------



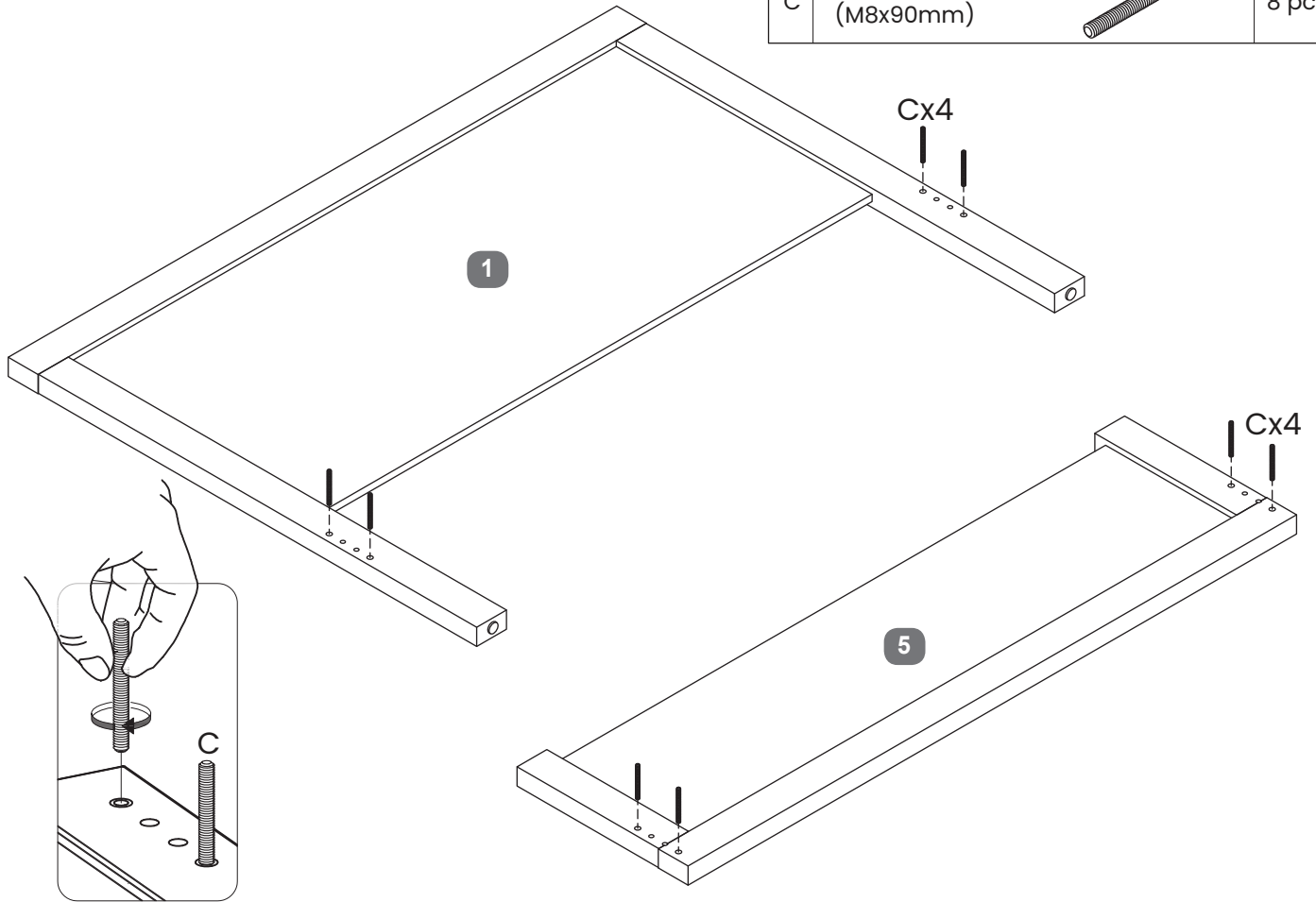
**Step 4:**

B	Cam lock		7 pcs
---	----------	---	-------

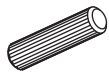


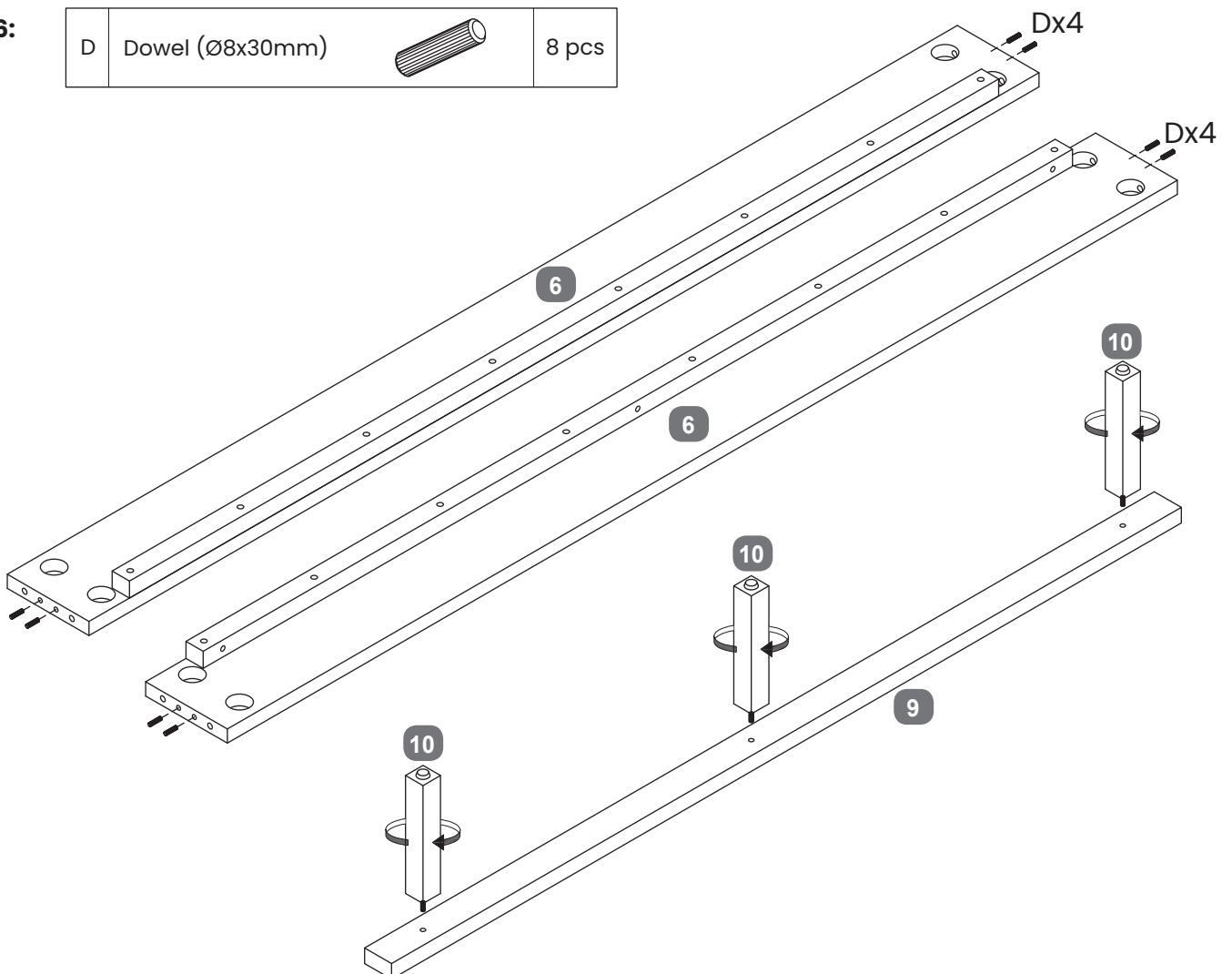
**Step 5:**

C	Threaded stud (M8x90mm)		8 pcs
---	-------------------------	--	-------


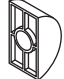





**Step 6:**

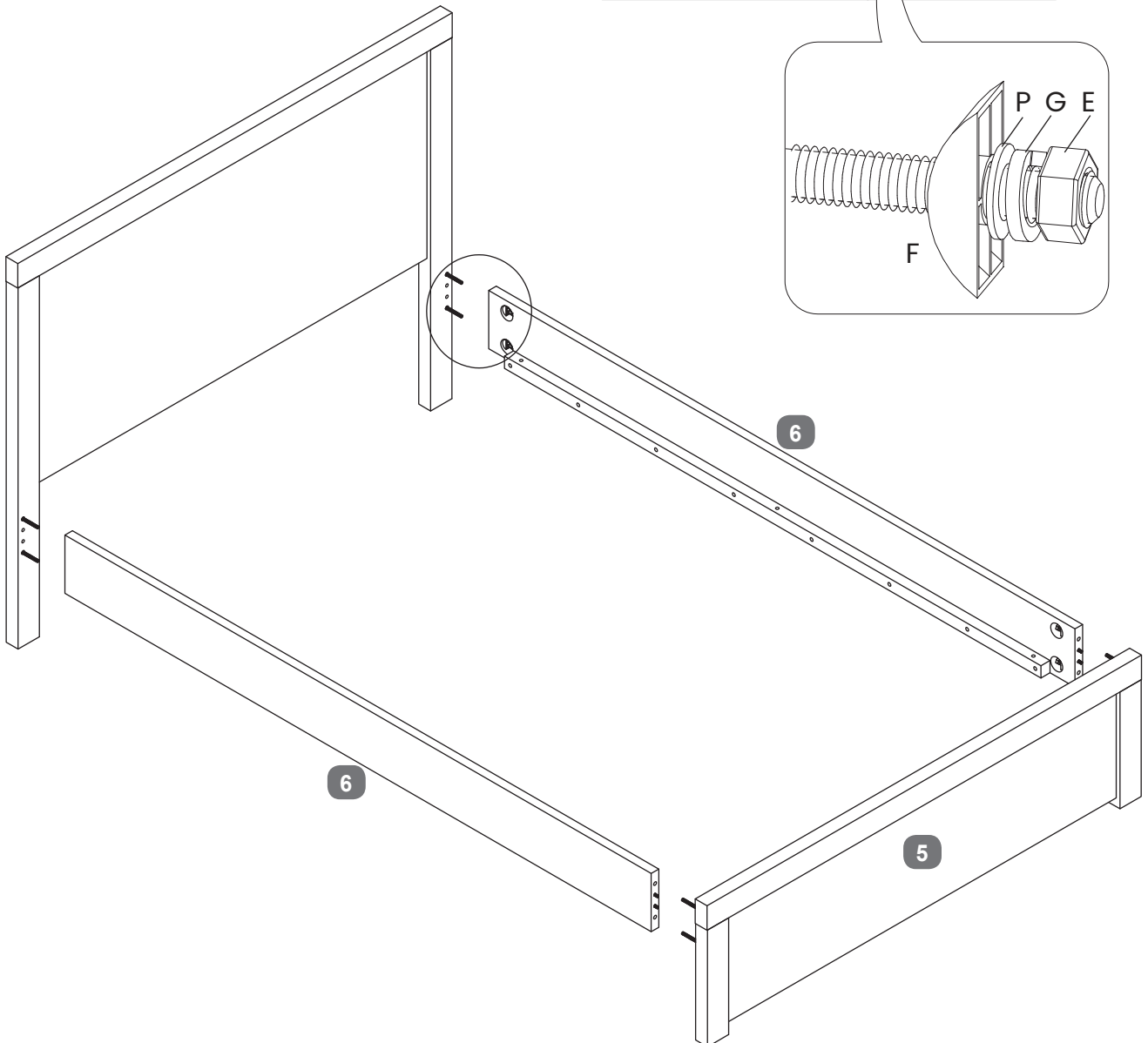
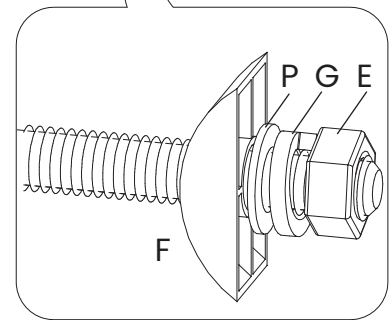
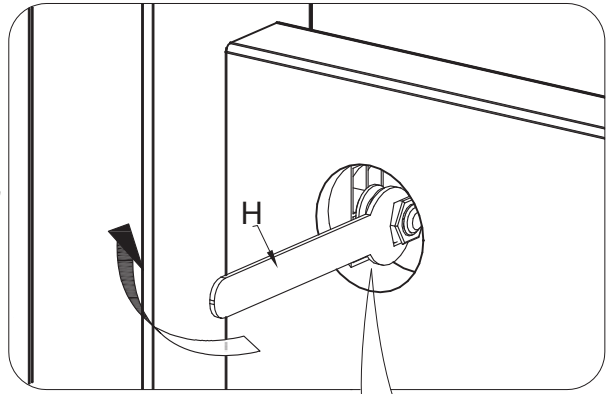
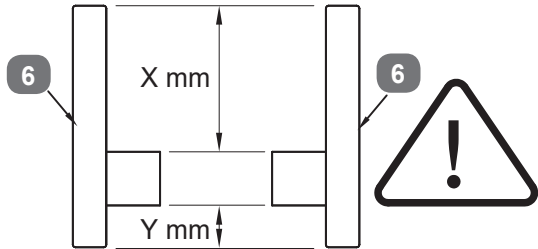
D	Dowel (Ø8x30mm)		8 pcs
---	-----------------	---	-------



**Step 7:**

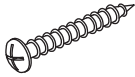

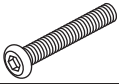


E	Nuts for M8 stud		8 pcs
F	Half-moon bracket		8 pcs

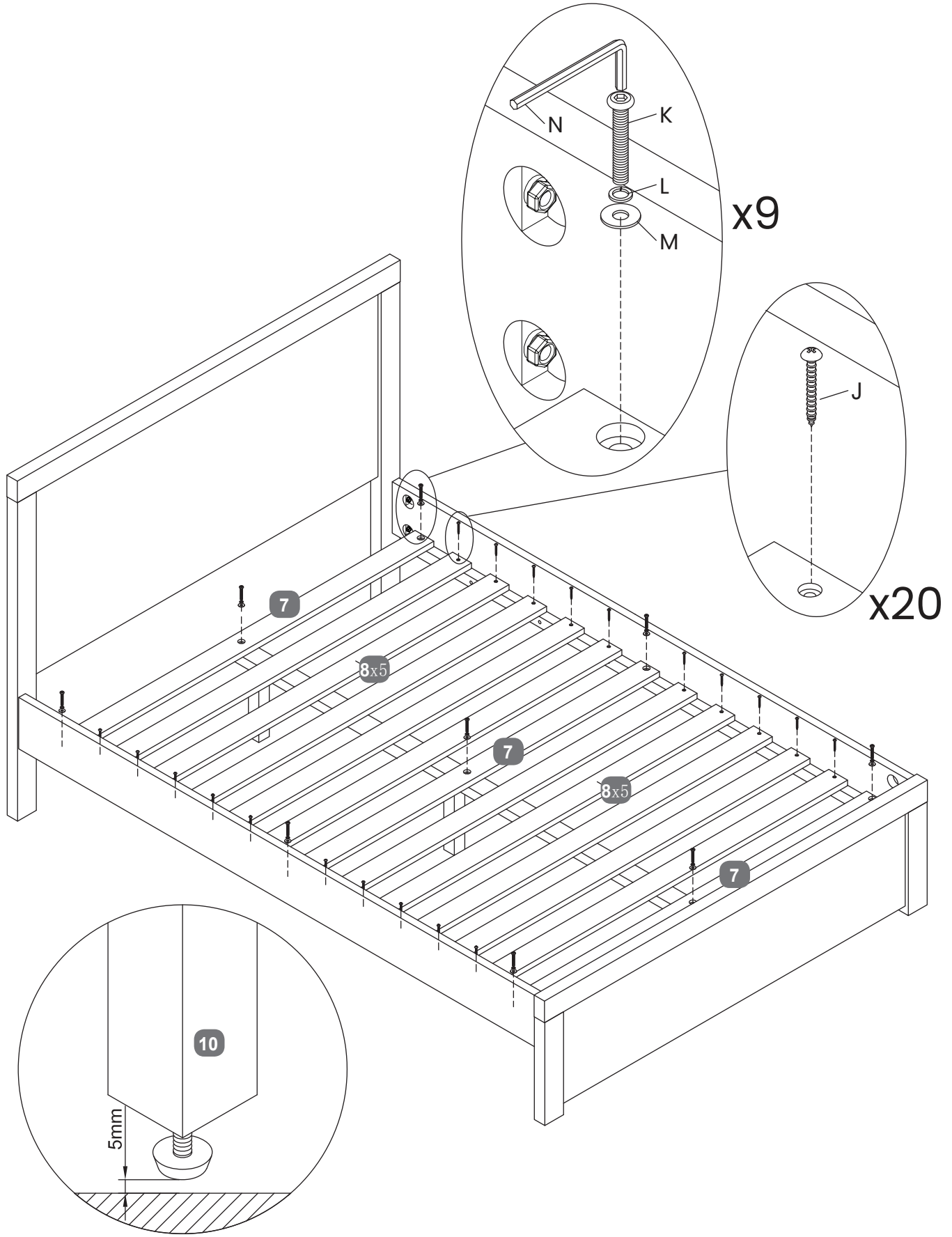
G	Spring washer for M8 stud		8 pcs
H	Spanner for M8 nuts		1 pc
P	Flat washer for M8 stud		8 pcs





**Step 8:**

J	Bolts (M8x25mm)		20 pcs	M	Allen key for M8 bolts		9 pcs
K	Spring Washer for M8 bolts		9 pcs	N			1 pc
L	Flat Washer for M8 bolts		9 pcs				



## Technical Specifications

### Overall Dimensions (LWH cm)

Double: 200.8 x 143 x 110

King: 210.8 x 158 x 110

### Internal Dimensions (LW cm)

Double: 193 x 137

King: 203 x 153

### Distance between slats (cm)

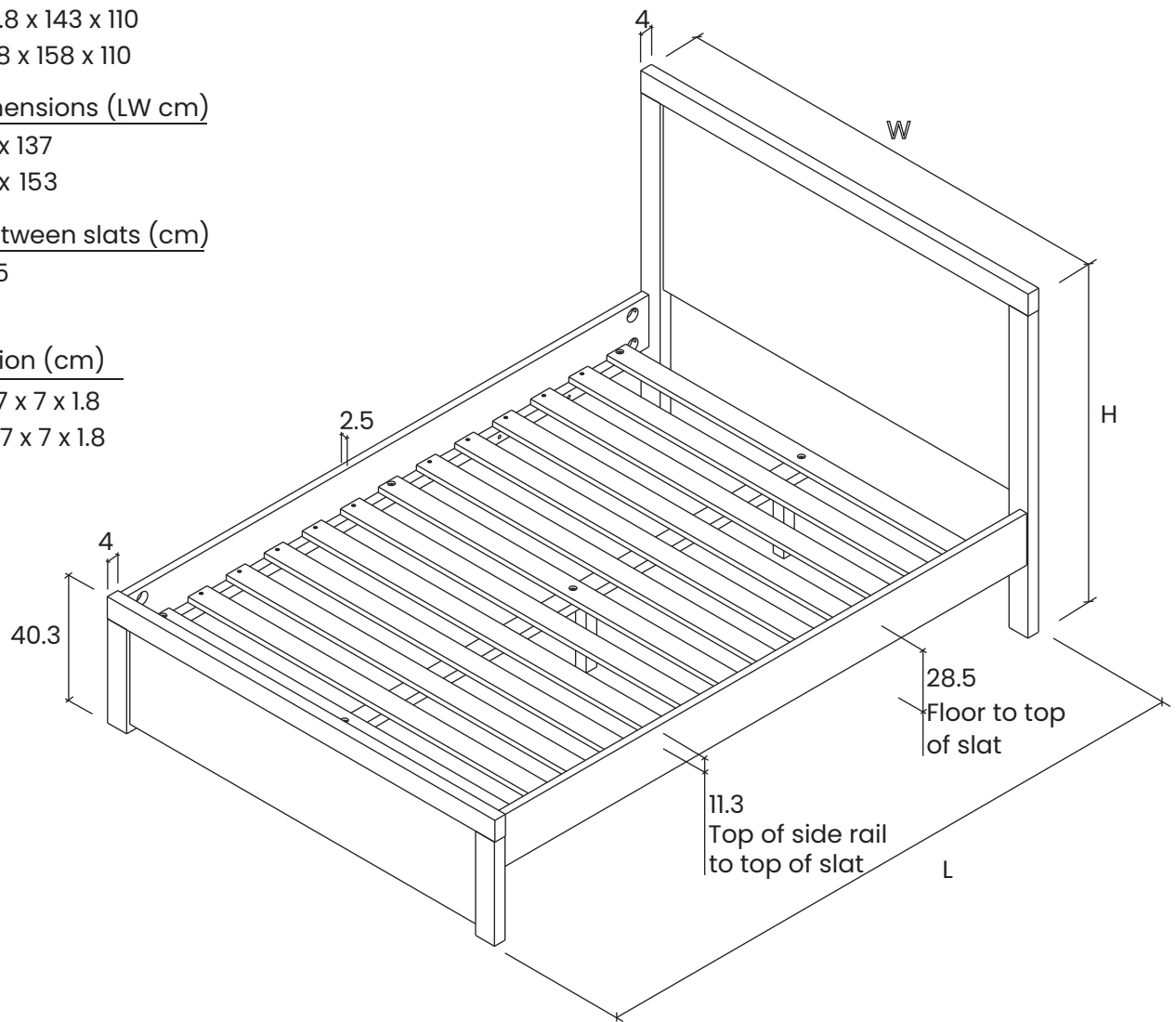
Double: 70.5

King: 79

### Slat Dimension (cm)

Double: 136.7 x 7 x 1.8

King: 151.7 x 7 x 1.8



Please dispose of all packaging safely.

## General Care & Maintenance

Wipe clean with a slightly damp cloth or if fabric use a low suction vacuum cleaner to remove dust.

Avoid the use of all household cleaners and abrasives.

Periodically check all screw & fixings to ensure they are secure.

When moving your product, carefully lift into place. Never drag or push the pieces across the floor as this will cause damage to the joints and could result in failure to the product that will invalidate the warranty.

For more information on cleaning and product care visit:

<https://www.happybeds.co.uk/help-and-advice>

## Notes

We've tried to make this product as easy to assemble as possible. In the unlikely event that you have problems putting it together or have damaged or missing pieces, please contact us by visiting:

<https://www.happybeds.co.uk/customer-service>

