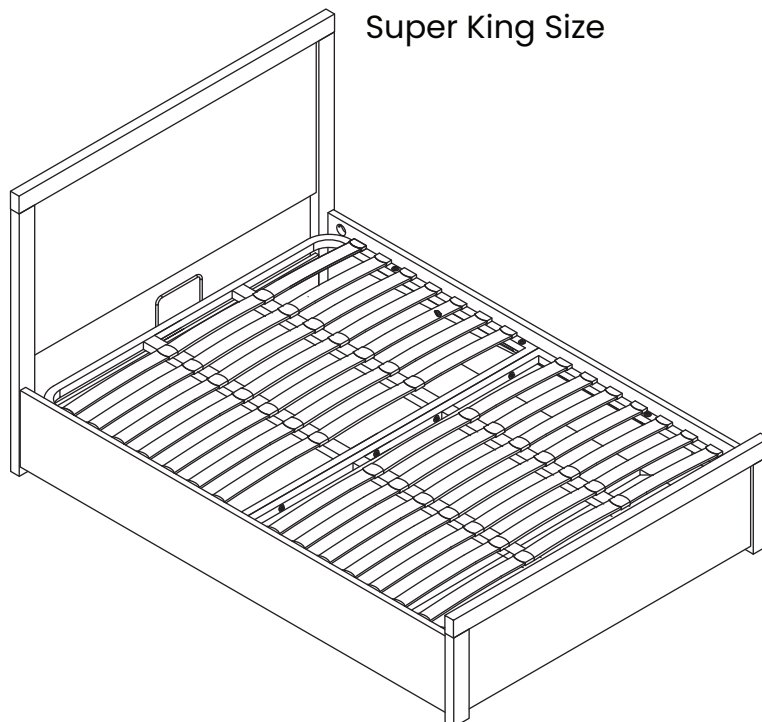
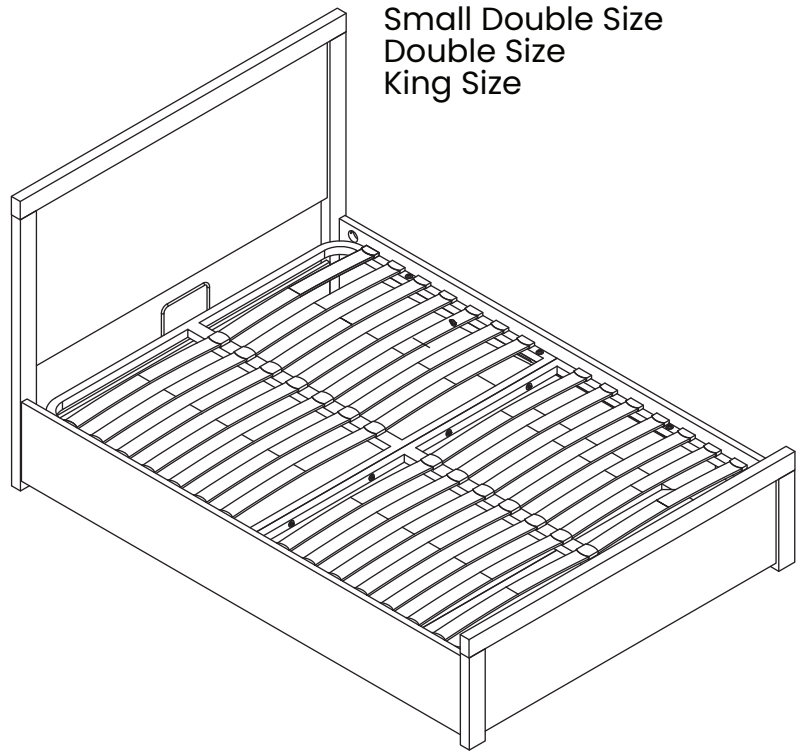
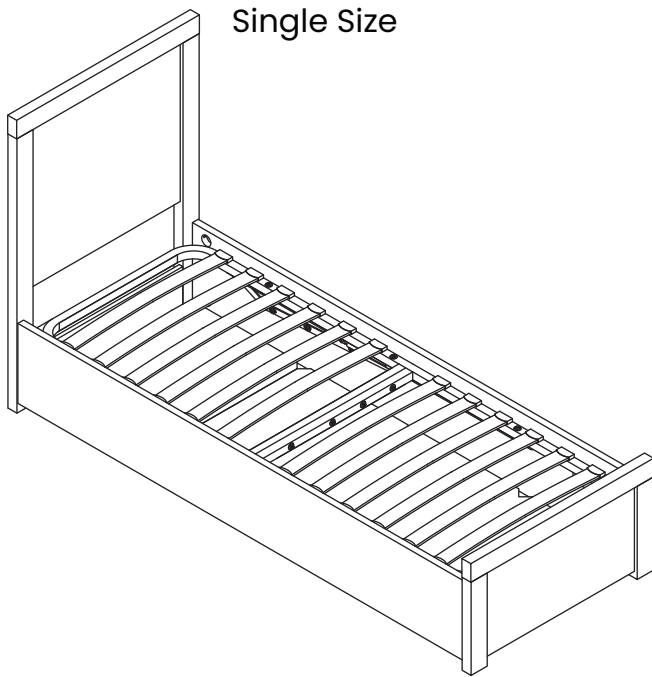


Happy beds™

www.happybeds.co.uk

Assembly Instructions

Rodley Ottoman Bed



Happy beds™

www.happybeds.co.uk

Thank you for purchasing with Happy Beds!

Important before assembly:

Please read these instructions carefully before assembling or using the product.

Please check the contents of each box before attempting to assemble this product. The instructions will have a checklist of parts and fittings.

Try to assemble the product as close to its intended final location/ room as possible.

Happy with your purchase?

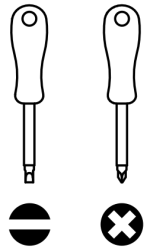
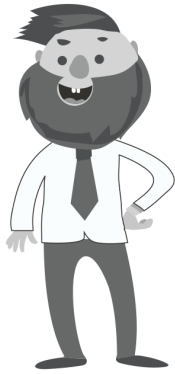


Yes: We would love to hear more from you! Please share your experience on TrustPilot or our social media channels.



No: We're so sorry to hear this! Please contact us by scanning the QR code or visit us at www.happybeds.co.uk/customer-service and someone will be happy to help.

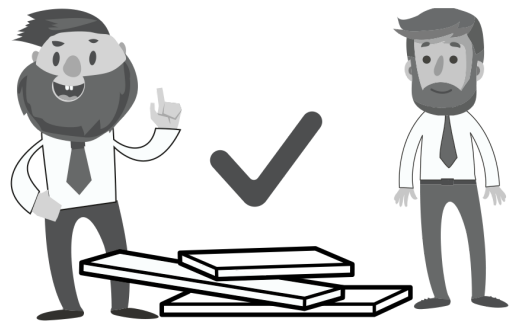
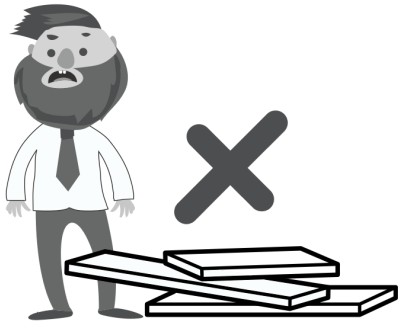




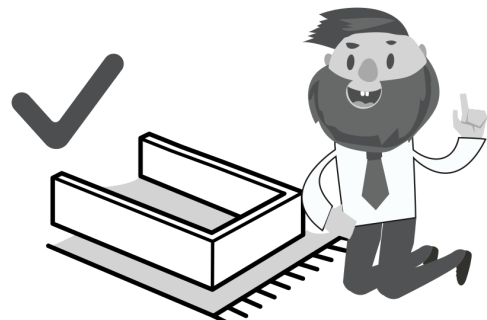
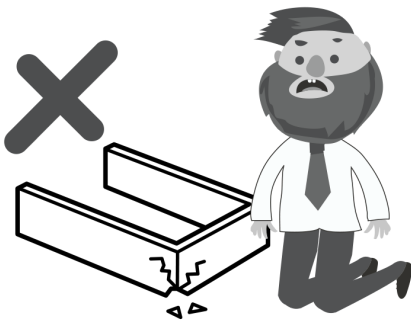
(Not metal)

These tools are not necessary, but may help to assemble certain parts of the product.

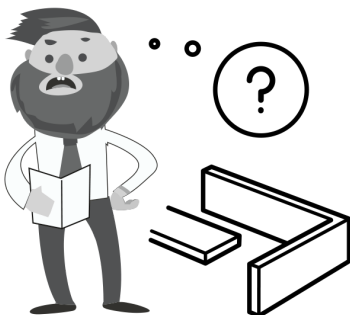
Do NOT use any power tools as this may damage the frame.



This product or some parts of this product will be heavy. Please use an assistant when lifting.



Never drag or push the pieces across a hard or stone floor as this will cause damage to the joints. Use a carpet or a rug for extra care.



If you have problems assembling or have damaged or missing pieces, please contact us by visiting:

<https://www.happybeds.co.uk/customer-service>

Happy beds™

www.happybeds.co.uk

Health & Safety:

This product or some parts of this product will be heavy. Please use an assistant when lifting.

Please keep small parts out of reach of children.

Always use on a level, even surface.

DO NOT jump on the product or any of its parts.

DO NOT use this product if any parts are missing, damaged or worn.

DO NOT use this product unless all fixings are secured.

Please keep these instructions for future reference.

Important for Ottoman and other gas lift beds

Note:

The gas lifts are fully extended during shipment for safety. After assembly a firm downward push will be required to overcome any resistance in the gas lifts as these may initially stick. We suggest placing a mattress on top of the bed base to aid this and also test the operation of your new lift-up bed by lifting and pushing down the bed base a few times to free off the system.

Do NOT operate the lift-up mechanism without the mattress placed on the base.

The lift mechanism provides assistance with the lift of the mattress fitted to the base. It does not lift the mattress for you. The system has been designed to effectively lift the base system fitted with a variety of mattress weights and combinations of depths.

The gas cylinders fitted to the system may be stiff when first used or if the system has not been operated for a period of time.

If provided, use the strap handles to lift up the mattress base using two hands. Pull the mattress base down using two hands equally spaced from the centre of the mattress base. DO NOT pull down on one side of the base only as this is likely to damage the base system with potential failure of the mattress base system and lift mechanism.

Caution:

Do NOT allow children to operate the lift mechanism.

Do NOT allow children near the lift base when operating the mechanism.

Do NOT allow children in the area of the internal storage base.

Keep hands clear of the mechanism when operating the base system.

Do NOT stand inside the bed or the internal storage base.

Do NOT overload the internal storage base.

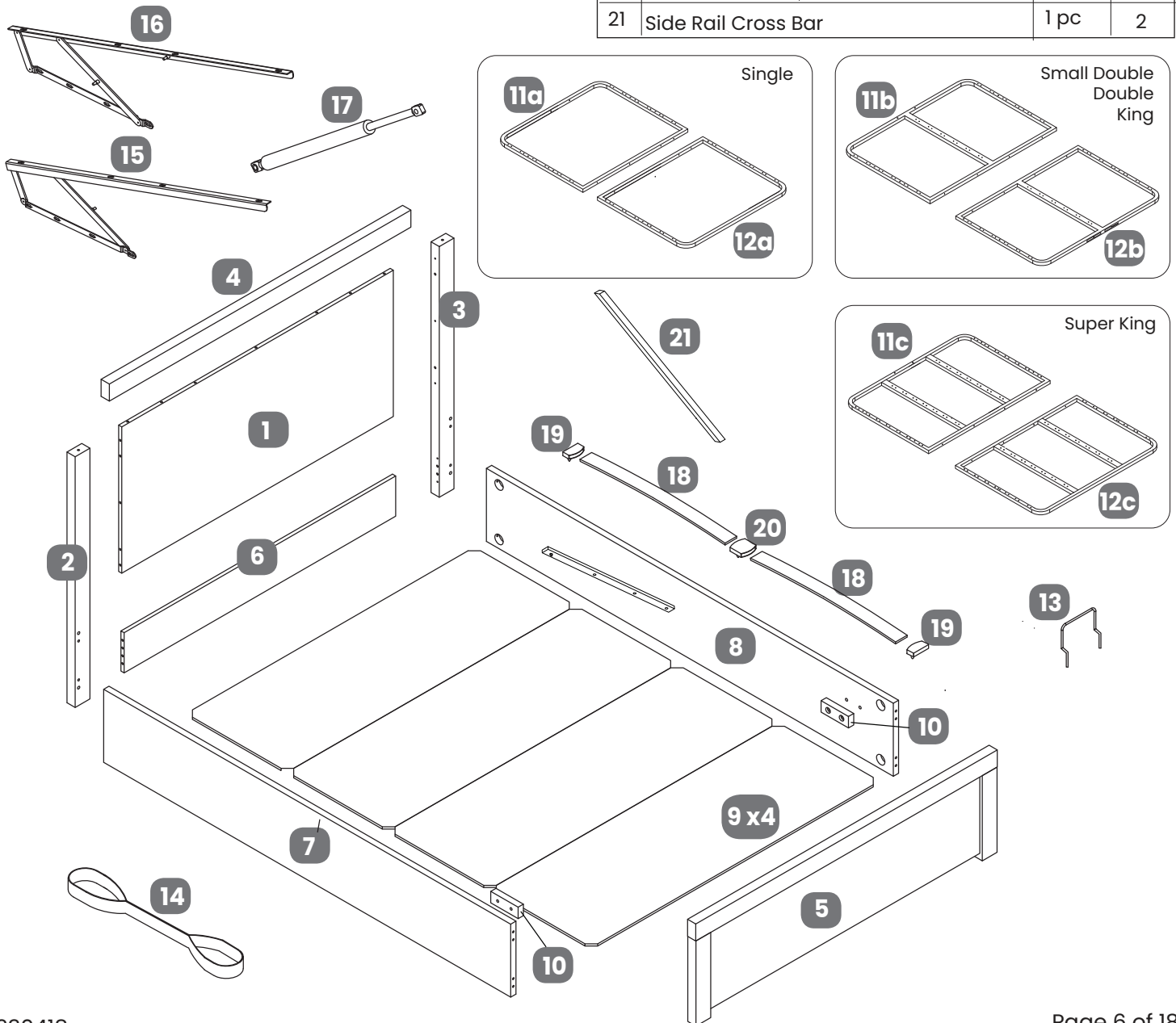


Happy beds™

www.happybeds.co.uk

No	Part List	Qty	Box	
1	Inner Panel For Headboard	1 pc	1	
2	LH Headboard Leg	1 pc	1	
3	RH Headboard Leg	1 pc	1	
4	Top Rail For Headboard	1 pc	1	
5	Footboard	1 pc	1	
6	Bottom Rail For Headboard	1 pc	2	
7	Side Rail - LH	1 pc	2	
8	Side Rail - RH	1 pc	2	
9	Base Boards	4 pcs	1	
10	Support Blocks	Single, Small Double Double & King	2 pcs	1
		Super King	4 pcs	
11	Metal Slat Frame - Headend	1 pc	3	

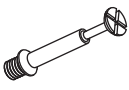


No	Part List	Qty	Box	
12	Metal Slat Frame - Footend	1 pc	3	
13	Mattress Stopper	1 pc	3	
14	Fabric Handle	1 pc	3	
15	Lift Mechanism - LH	1 pc	4	
16	Lift mechanism - RH	1 pc	4	
17	Gas Lift Pistons	2 pcs	4	
18	Bentwood Slats	Single	12 pcs	3
		Small Double & Double	24 pcs	
		King	28 pcs	
		Super King	42 pcs	
19	Single Plastic Caps	Single, Small Double & Double	24 pcs	3
		King & Super King	28 pcs	
20	Double Plastic Caps	Small Double & Double	12 pcs	3
		King	14 pcs	
		Super King	28 pcs	
21	Side Rail Cross Bar	1 pc	2	








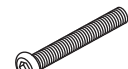

Happy beds™

www.happybeds.co.uk

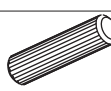
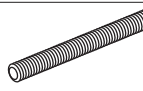

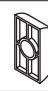




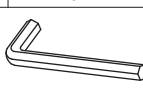
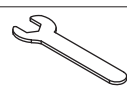
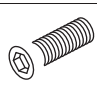

HARDWARE NEEDED FOR HEADBOARD ASSEMBLY (PACK A)

No	Hardware List	Qty	Box	
A	Cam bolt 	Single	16 pcs	3
		Small Double Double & King	17 pcs	
		Super King	18 pcs	
B	Cam lock 	Single	16 pcs	3
		Small Double Double & King	17 pcs	
		Super King	18 pcs	
C	Dowel (Ø8x30mm) 	10 pcs	3	

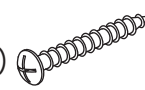
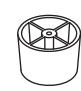
HARDWARE NEEDED FOR METAL SLAT FRAME ASSEMBLY (PACK C)

No	Hardware List	Qty	Box
E	Nuts for M8 bolts 	10 pcs	3
HL	Flat washer for M8 Bolts (19mm Diameter) 	28 pcs	3
M	Flanged M8 lock-nuts for gas-lift piston 	4 pcs	3
N	Spanner for flanged M8 lock-nuts 	1 pc	3
P	Bolts (M8x35mm) for fitting lift mechanism (15 & 16) 	8 pcs	3
R	Bolts (M8x76mm) for connecting the metal slat frames (11&12) 	4 pcs	3
S	Bolt (M8x50mm) for fitting metal slat frame to lift mechanism (15&16) 	6 pcs	3

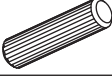
HARDWARE NEEDED FOR BED ASSEMBLY (PACK B)

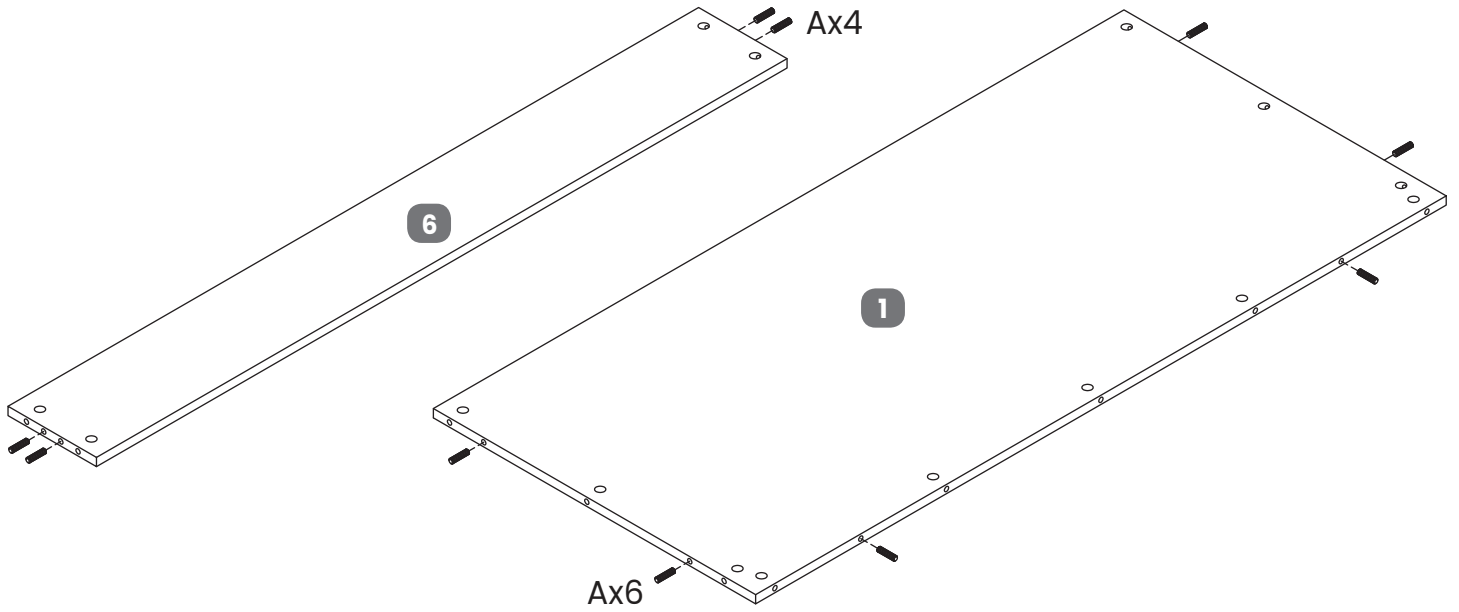
No	Hardware List	Qty	Box	
C	Dowel (Ø8x30mm) 	8 pcs	3	
D	Threaded stud (M8x90mm) 	8 pcs	3	
E	Nuts for M8 stud 	8 pcs	3	
F	Half-moon bracket 	8 pcs	3	
G	Spring washer for M8 bolt and stud 	Single Small Double Double & King	16 pcs	3
		Super King	20 pcs	
HS	Flat washer for M8 bolts and stud (14mm Diameter) 	12 pcs	3	
HL	Flat washer for M8 Bolts (19mm Diameter) 	Single Small Double Double & King	4 pcs	3
		Super King	8 pcs	
J	Bolt (M8x35mm) for fitting support block (10) to side rails (7&8) 	Single Small Double Double & King	4 pcs	3
		Super King	8 pcs	
K	Allen key for M8 bolts 	1 pc	3	
L	Spanner for M8 nut 	1 pc	3	
Q	Bolts (M8x16mm) for fitting parts 21 to parts 7 & 8) 	4 pcs	3	
HH	L Support Bracket 	2 pcs	3	

HARDWARE NEEDED FOR BASE BOARD ASSEMBLY (PACK D)

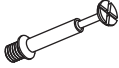
No	Hardware List	Qty	Box	
T	Screw (Ø8x28mm) 	Single	16 pcs	3
		Small Double Double & King	20 pcs	
		Super King	32 pcs	
U	Plastic feet 	Single	16 pcs	3
		Small Double Double & King	20 pcs	
		Super King	32 pcs	

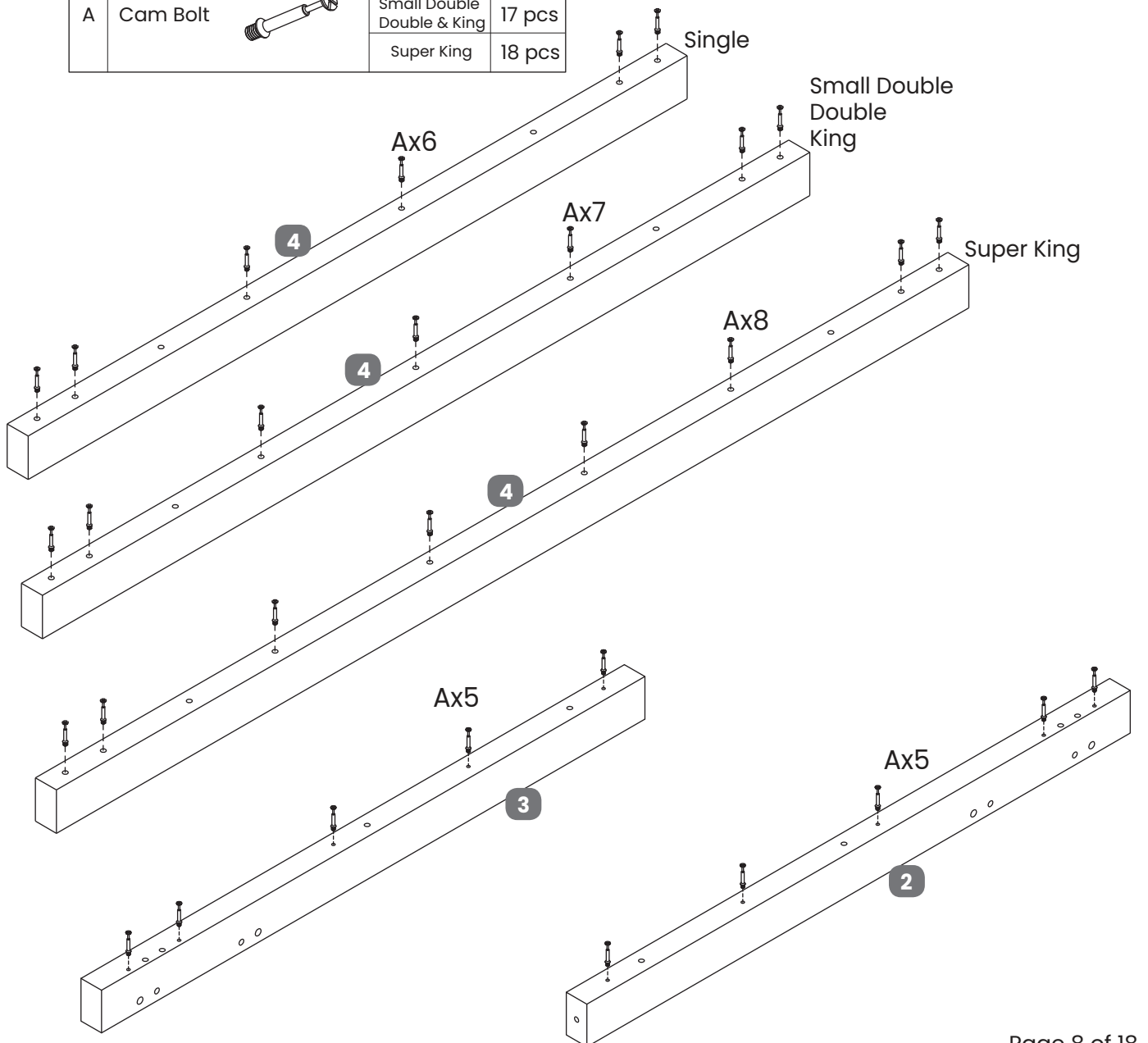
Step 1:

C	Dowel		10 pcs
---	-------	--	--------




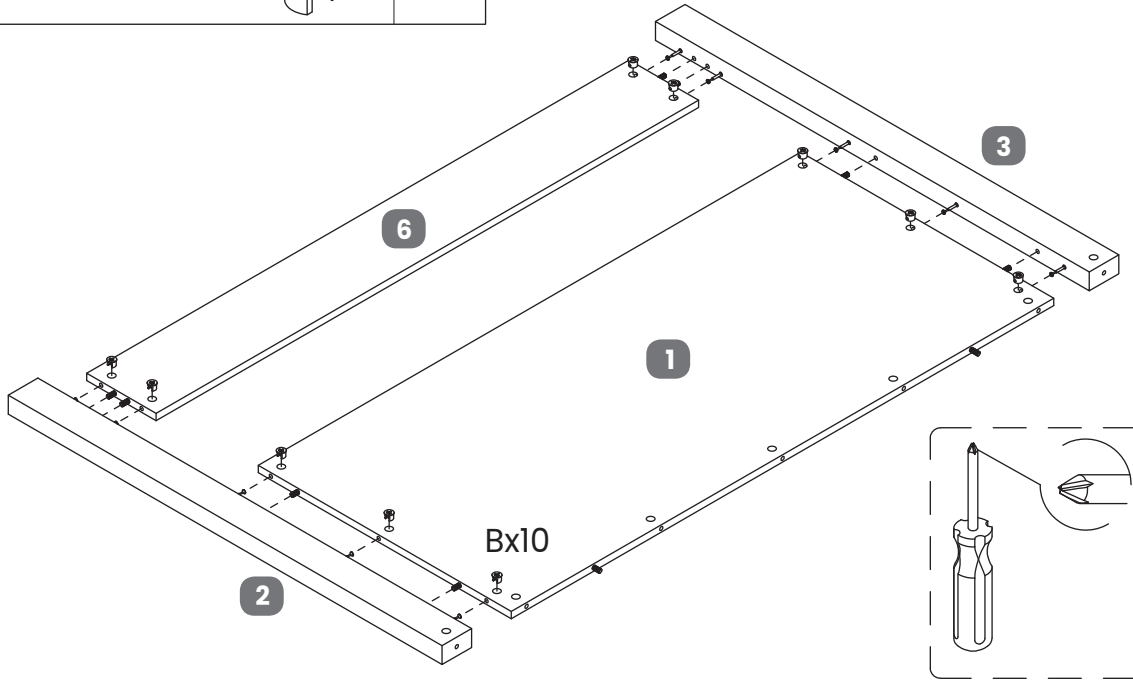
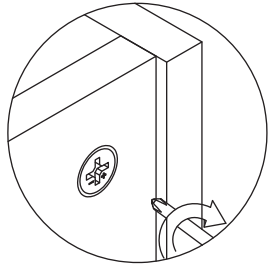
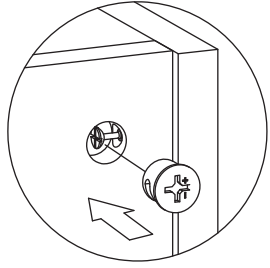
Step 2:

A	Cam Bolt		Single	16 pcs
			Small Double	17 pcs
			Double & King	
			Super King	18 pcs




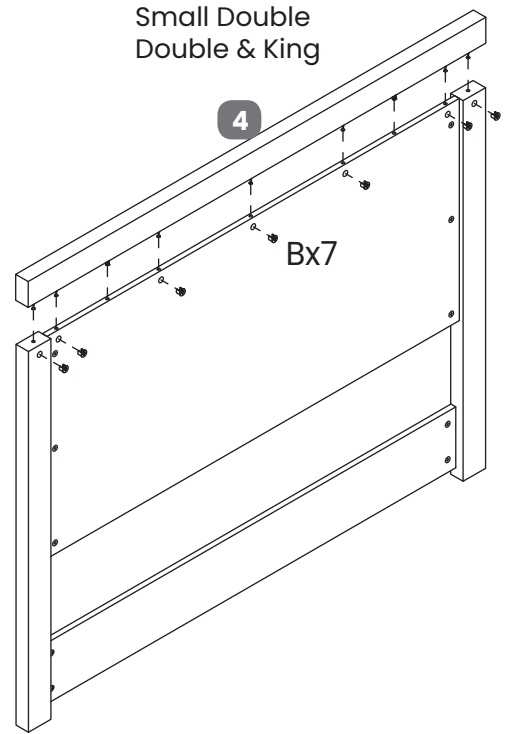
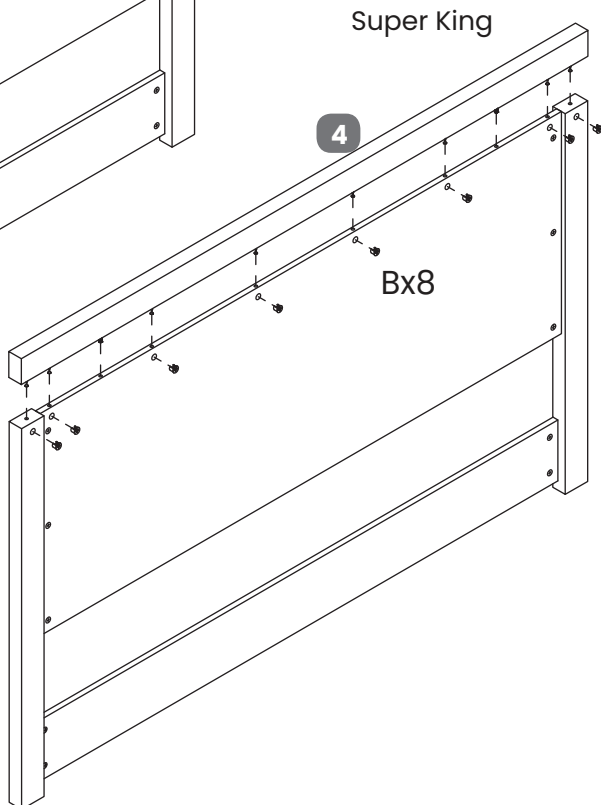
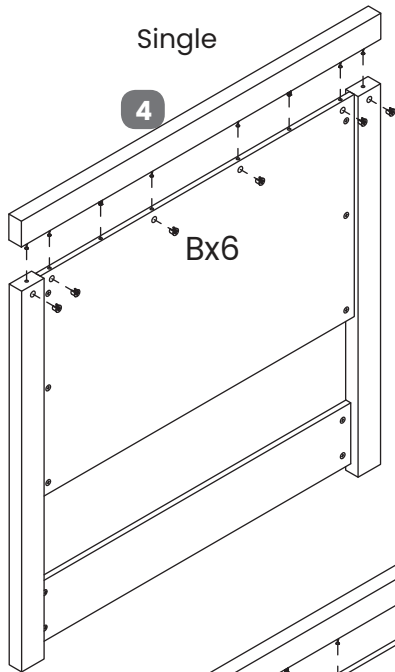
Step 3:

B	Cam Lock		10 pcs
---	----------	--	--------




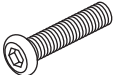


Step 4:

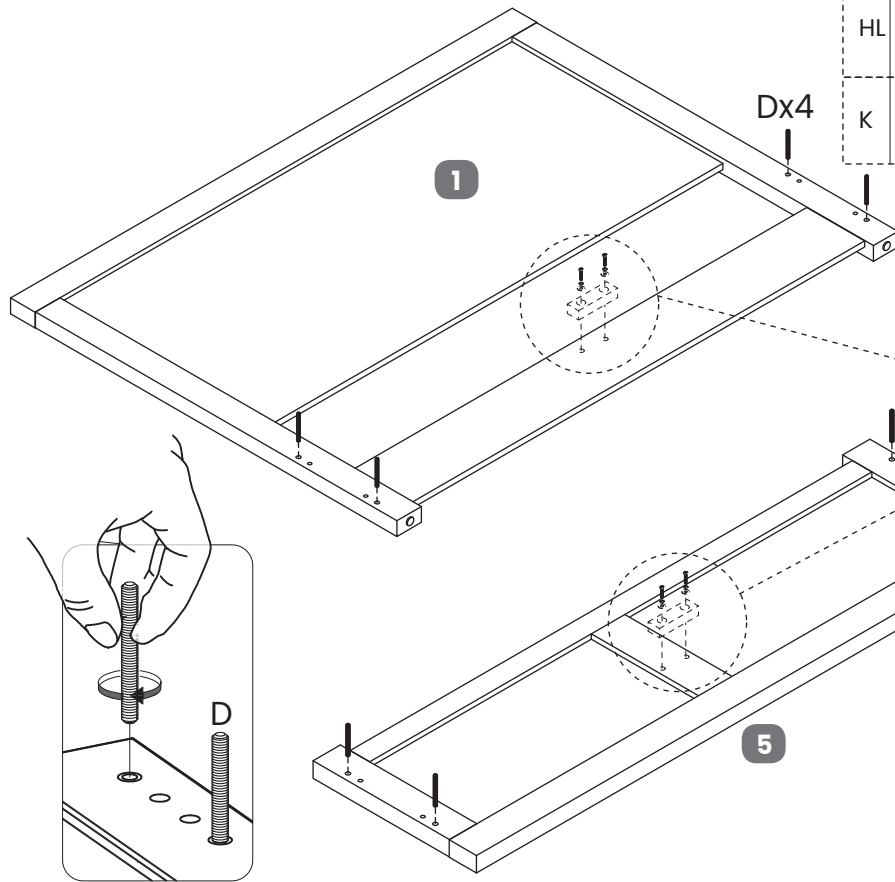
B	Cam Lock		Single	6 pcs
			Small Double Double & King	7 pcs
			Super King	8 pcs



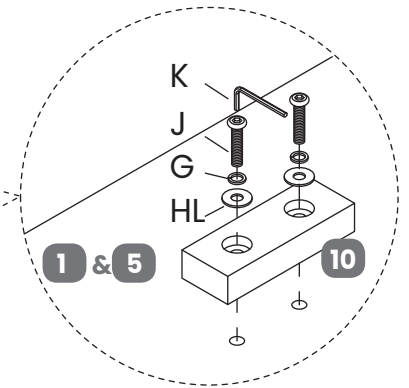
Step 5:

D	Threaded stud (M8x90mm)		8 pcs
---	-------------------------	--	-------

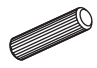

G	Spring Washer		4 pcs
J	Bolts (M8x35mm)		4 pcs
HL	Flat Washer		4 pcs
K	Allen Key		1 pc

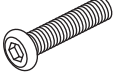




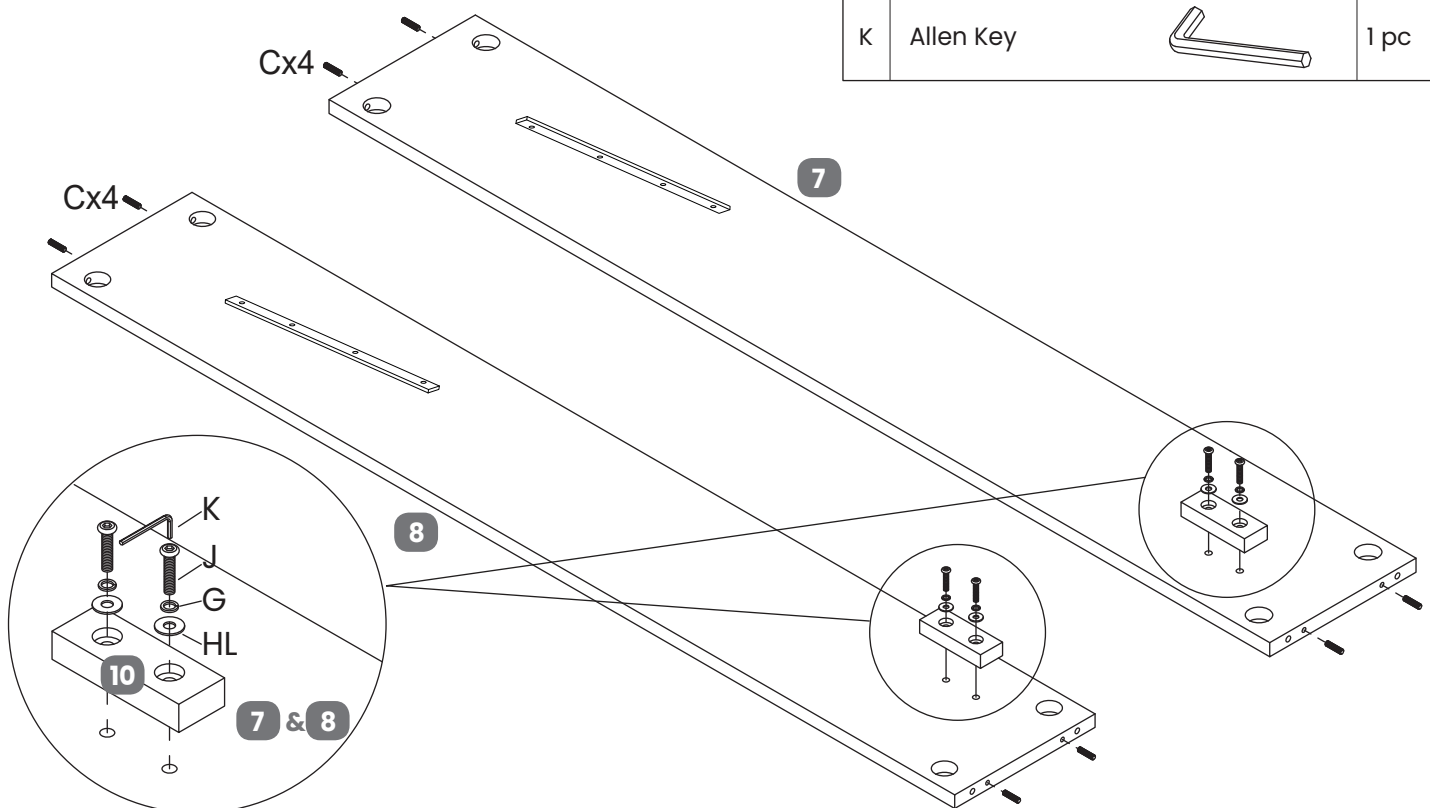
Only for Super King Size





Step 6:




C	Dowel		8 pcs
G	Spring Washer		4 pcs

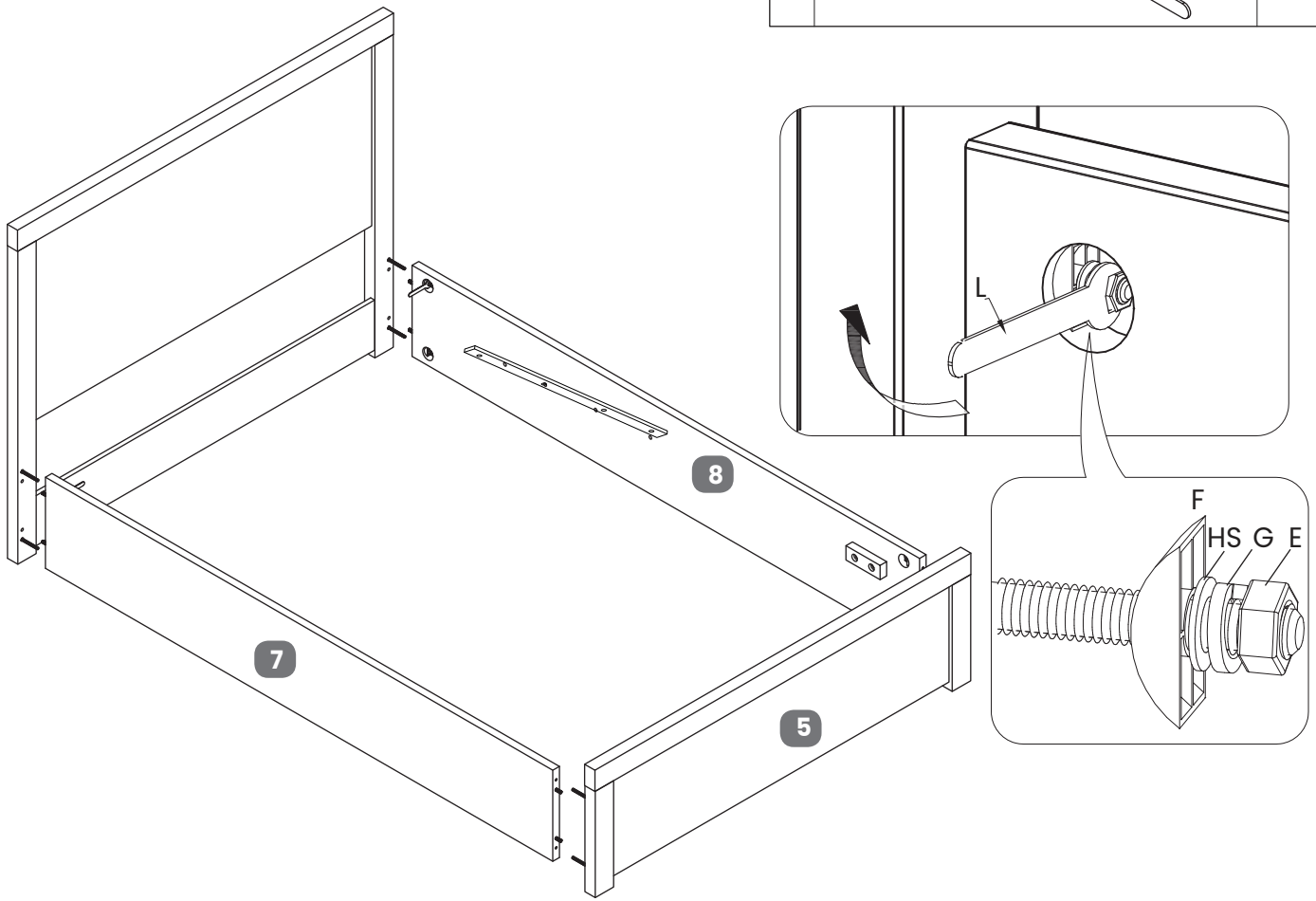
J	Bolts (M8x35mm)		4 pcs
HL	Flat Washer		4 pcs
K	Allen Key		1 pc



Step 7:

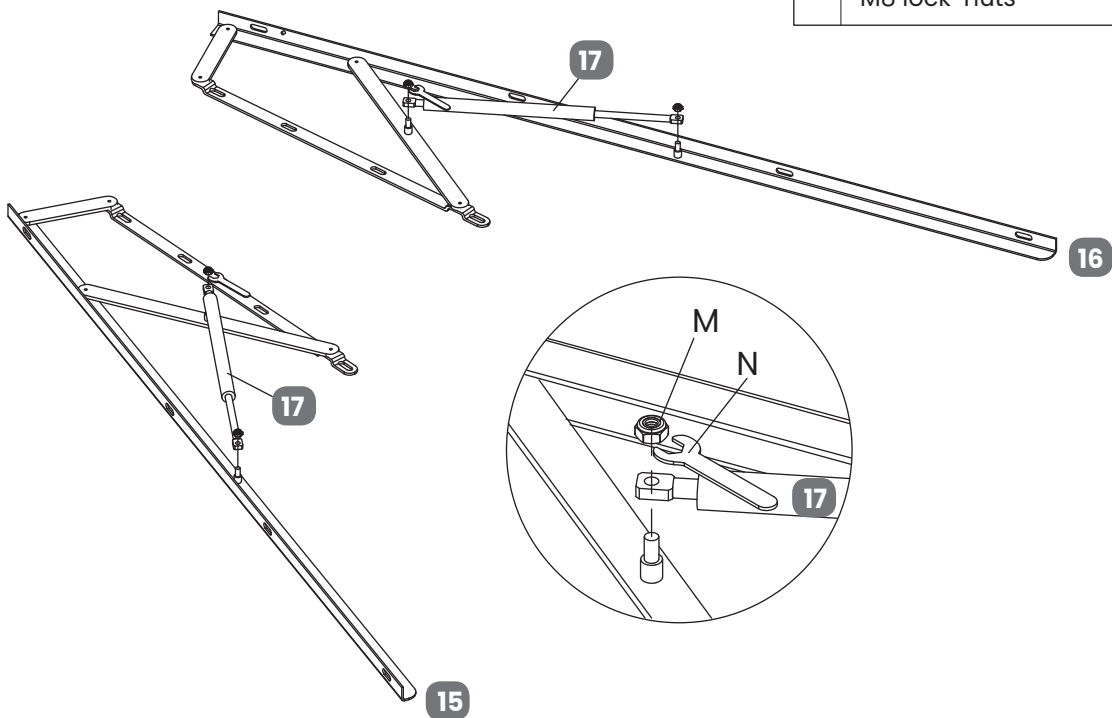
E	Nuts for M8 stud		8 pcs
G	Spring Washer		8 pcs

F	Half-moon bracket		8 pcs
HS	Flat Washer		8 pcs
L	Spanner for M8 nut		1 pc



Step 8:

M	Flanged M8 lock-nuts for gas-lift piston		4 pcs
N	Spanner for flanged M8 lock-nuts		1 pc

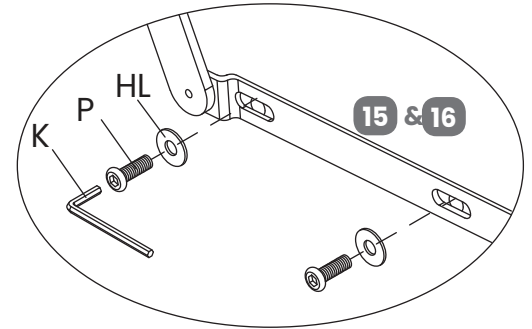
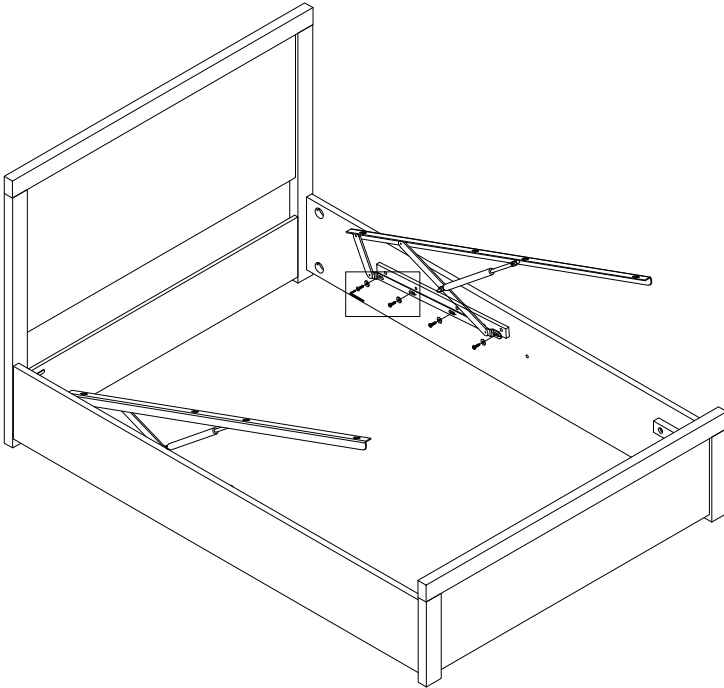


Step 9:


HL	Flat Washer		8 pcs
----	-------------	--	-------

K	Allen Key		1 pc
---	-----------	--	------

P	Bolt (M8x35mm)		8 pcs
---	----------------	---	-------



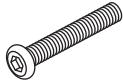
**Step 10a:
For Single Size**

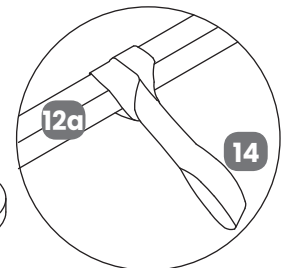
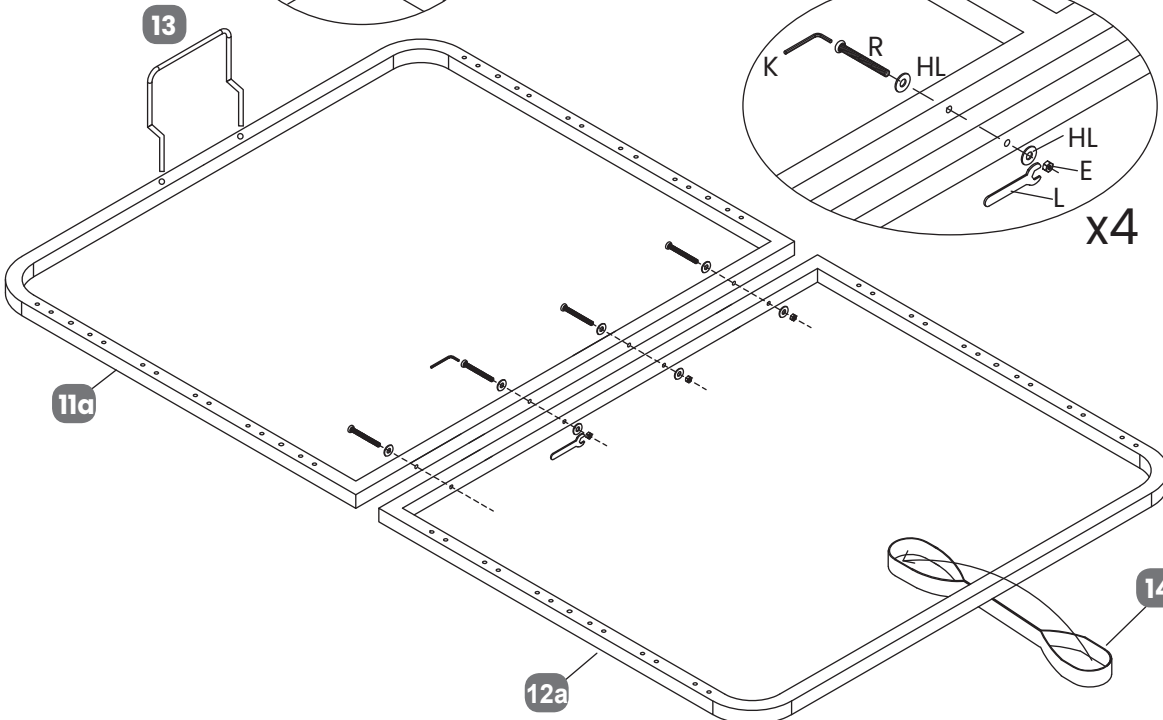
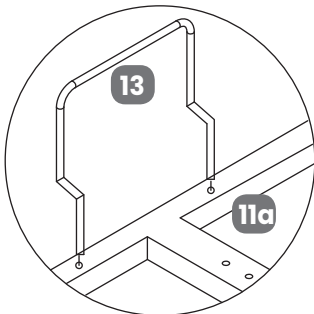
E	Nut for M8 bolt		4 pcs
---	-----------------	---	-------

HL	Flat Washer		8 pcs
----	-------------	---	-------

K	Allen Key		1 pc
---	-----------	---	------




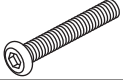
L	Spanner		1 pc
---	---------	---	------

R	Bolts (M8x76mm)		4 pcs
---	-----------------	---	-------

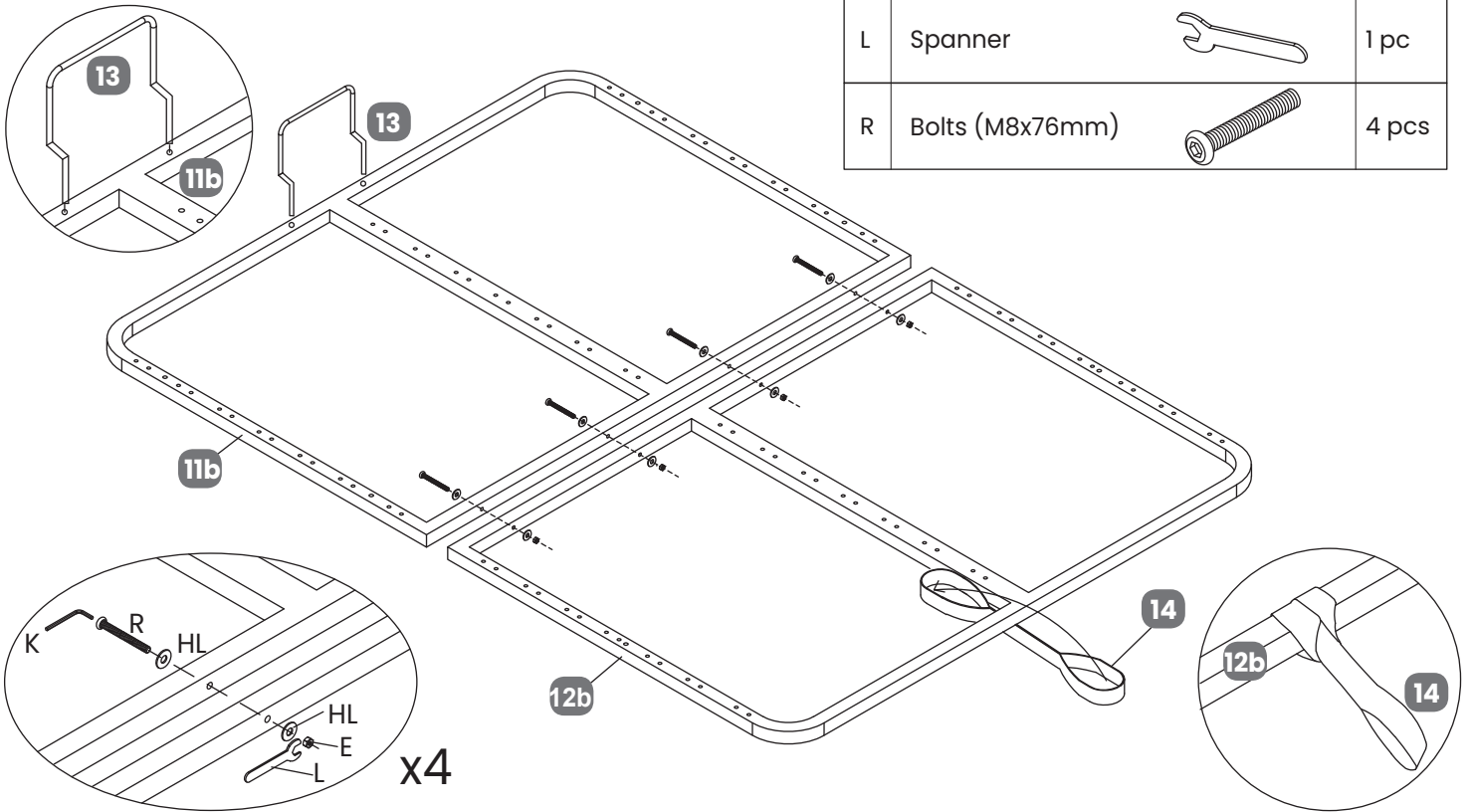


Step 10b:


E	Nut for M8 bolt		4 pcs
---	-----------------	--	-------




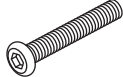
HL	Flat Washer		8 pcs
K	Allen Key		1 pc
L	Spanner		1 pc
R	Bolts (M8x76mm)		4 pcs

For Small Double, Double & King Size

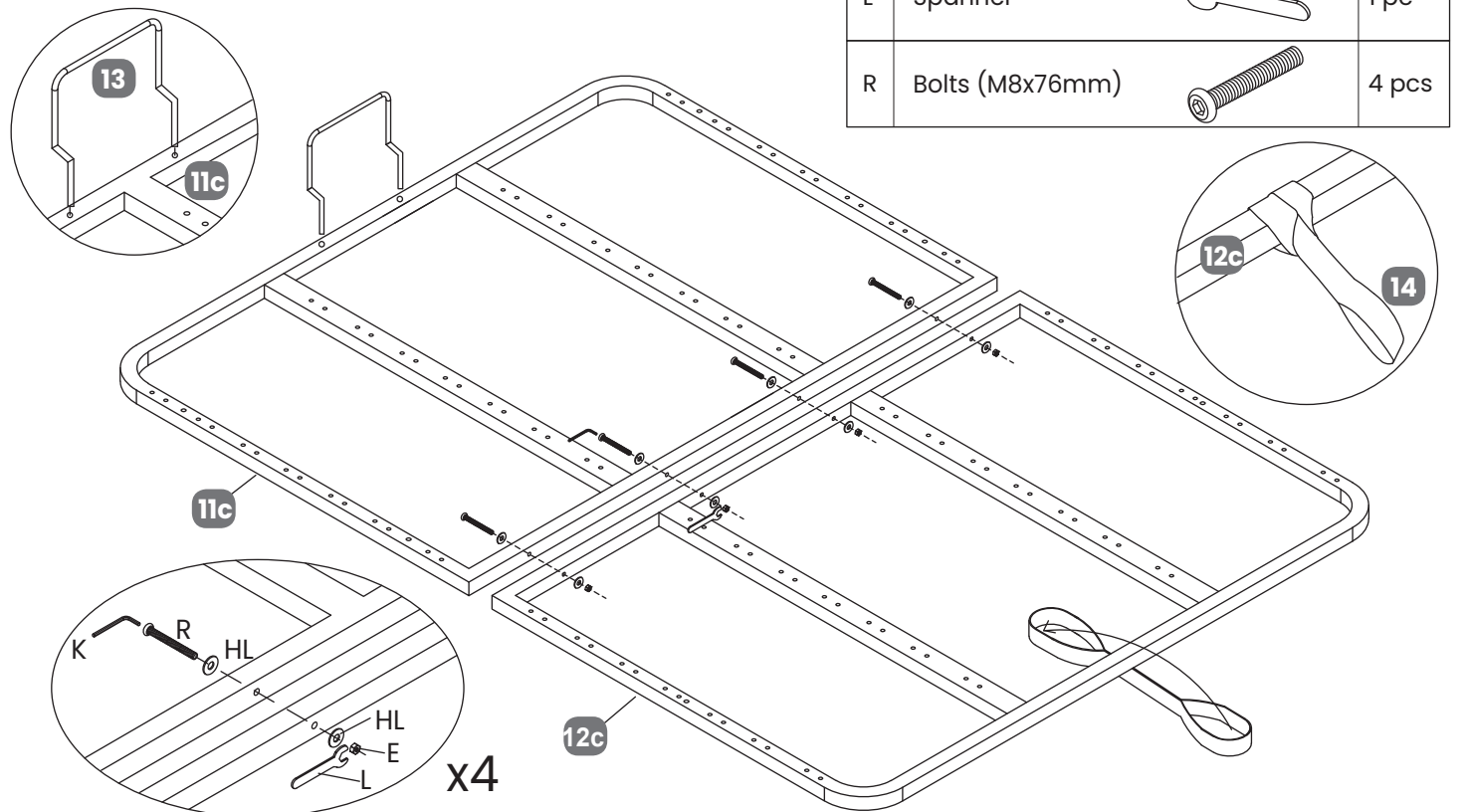


Step 10c:

E	Nut for M8 bolt		4 pcs
---	-----------------	---	-------

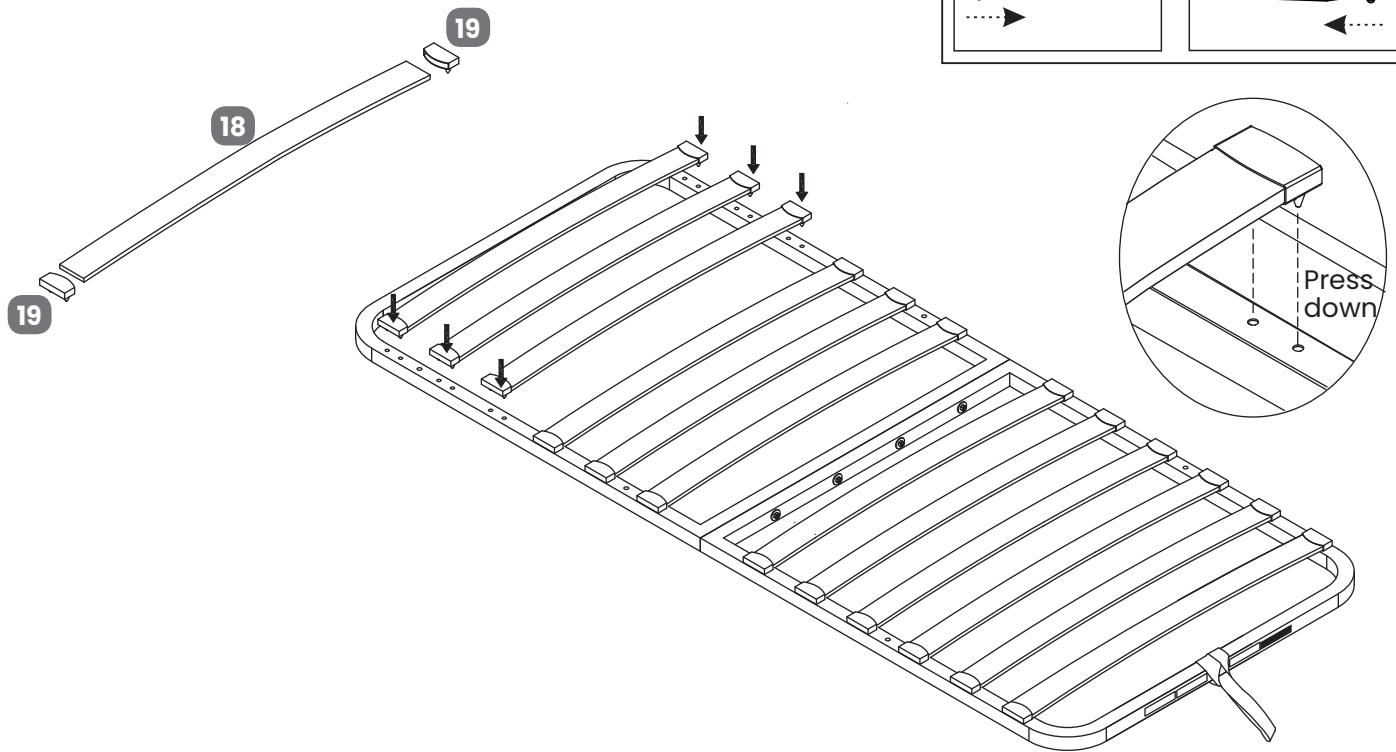
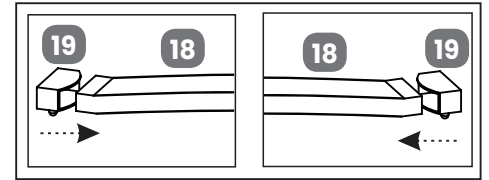
HL	Flat Washer		8 pcs
K	Allen Key		1 pc
L	Spanner		1 pc
R	Bolts (M8x76mm)		4 pcs

For Super King Size



Step 11a:

For Single Size



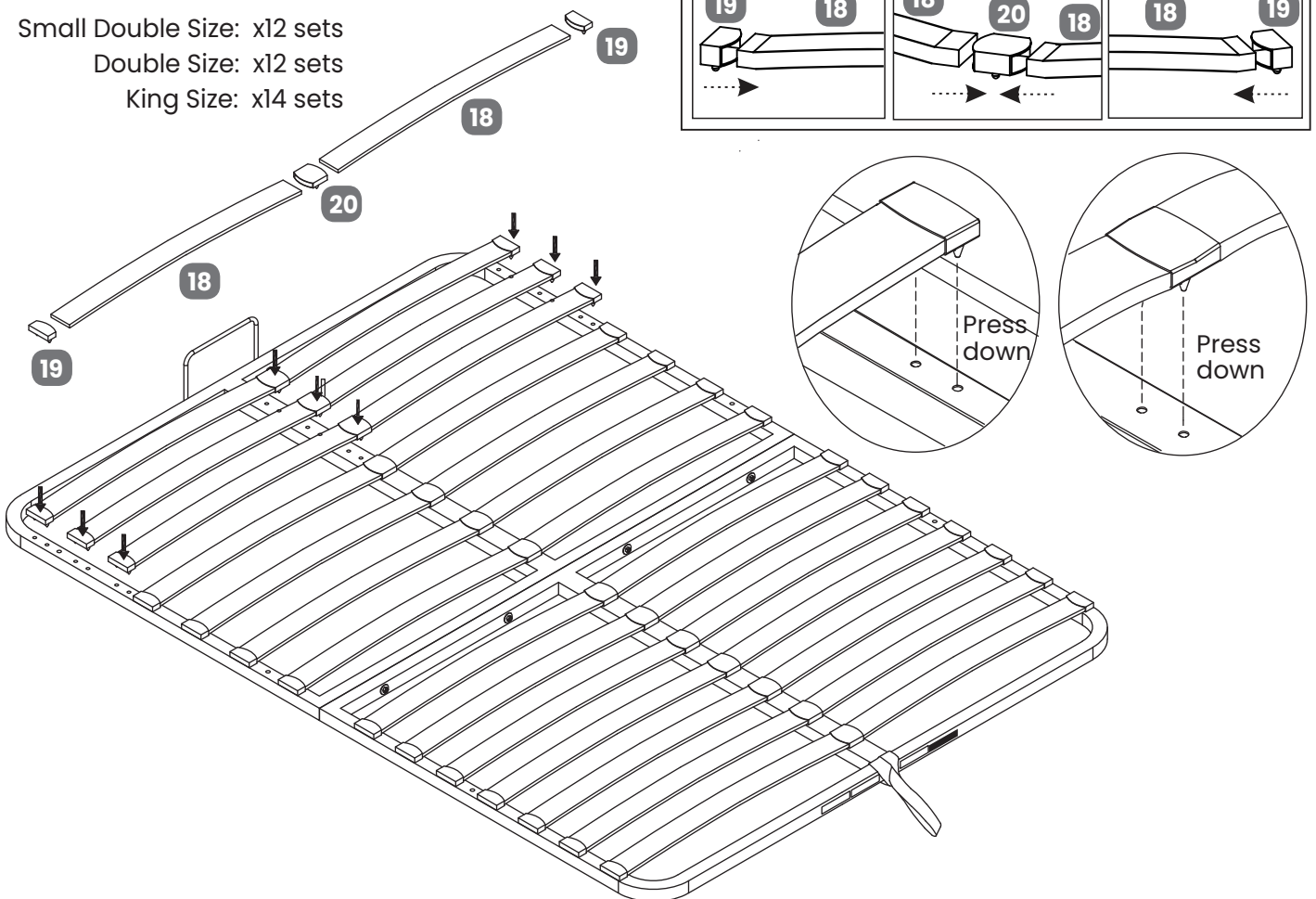
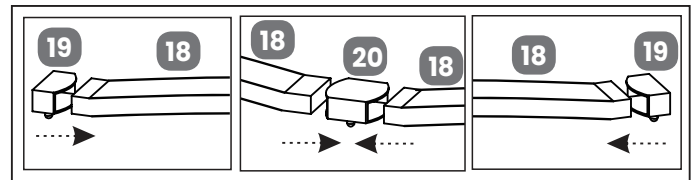
Step 11b:

For Small Double, Double & King Size

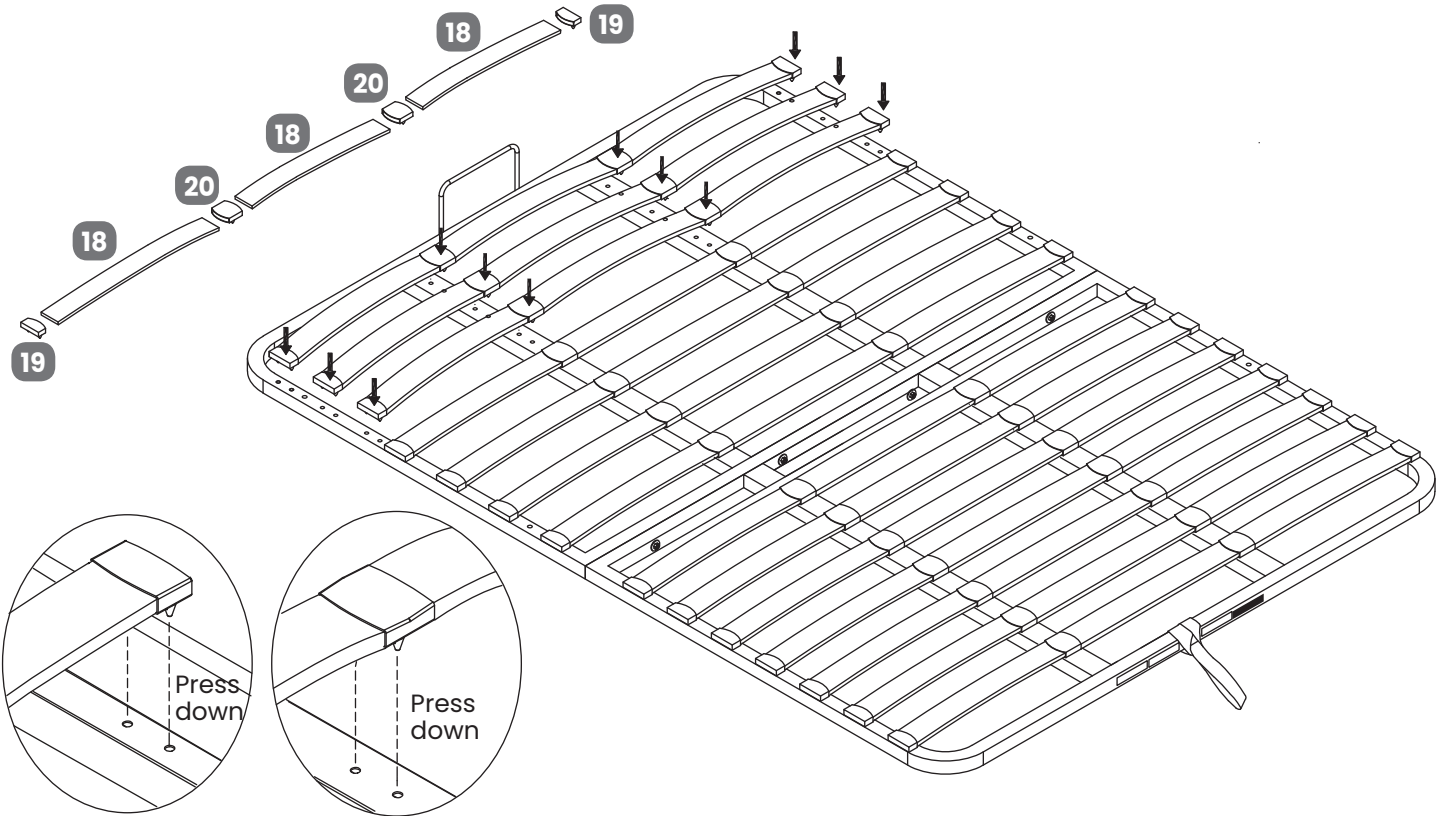
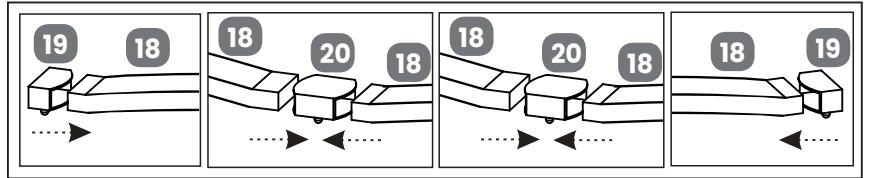
Small Double Size: x12 sets

Double Size: x12 sets

King Size: x14 sets



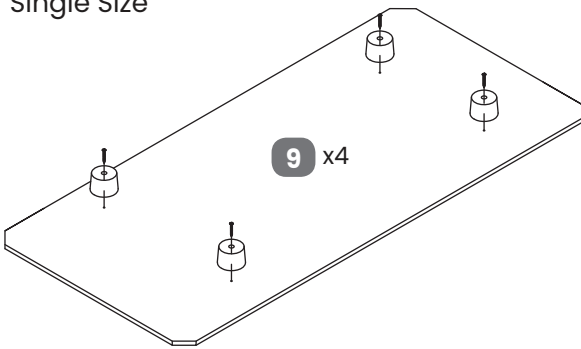
Step 11c:
For Super King Size



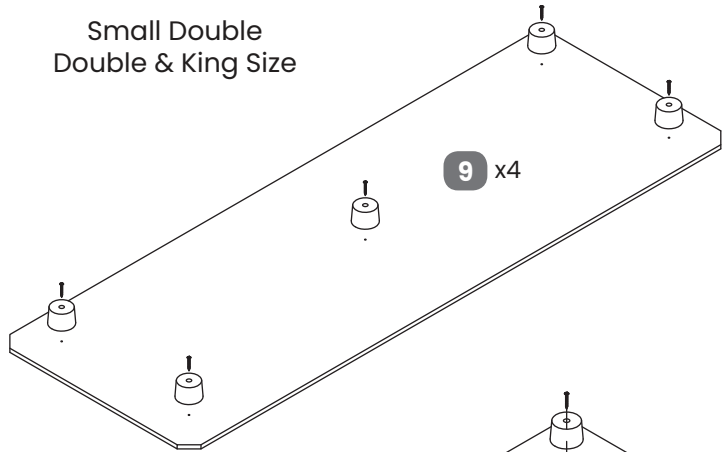
Step 12:

T	Screw (Ø8x28mm)		Single	16 pcs	U	Plastic feet		Single	16 pcs
			Small Double Double & King	20 pcs				Small Double Double & King	20 pcs
			Super King	32 pcs				Super King	32 pcs

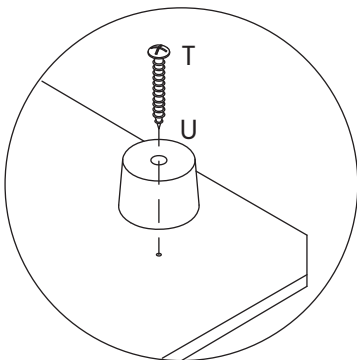
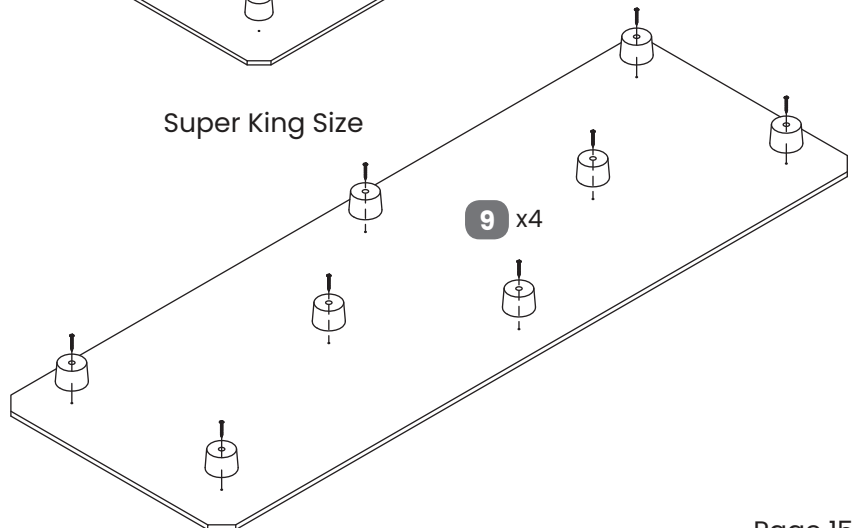
Single Size





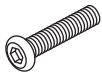
Small Double
Double & King Size





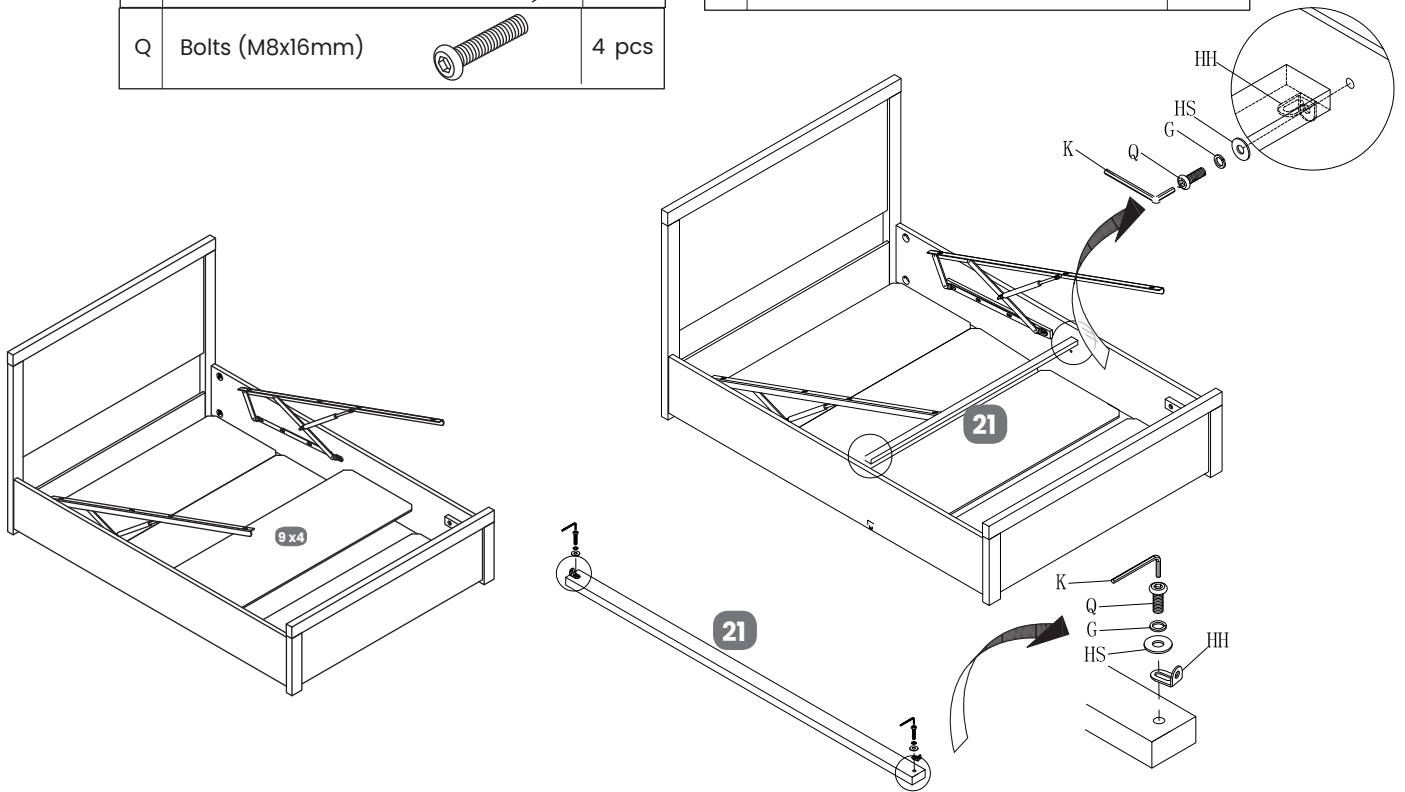
Super King Size





Step 13:



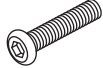
HS	Flat Washer		4 pcs
G	Spring Washer		4 pcs
Q	Bolts (M8x16mm)		4 pcs

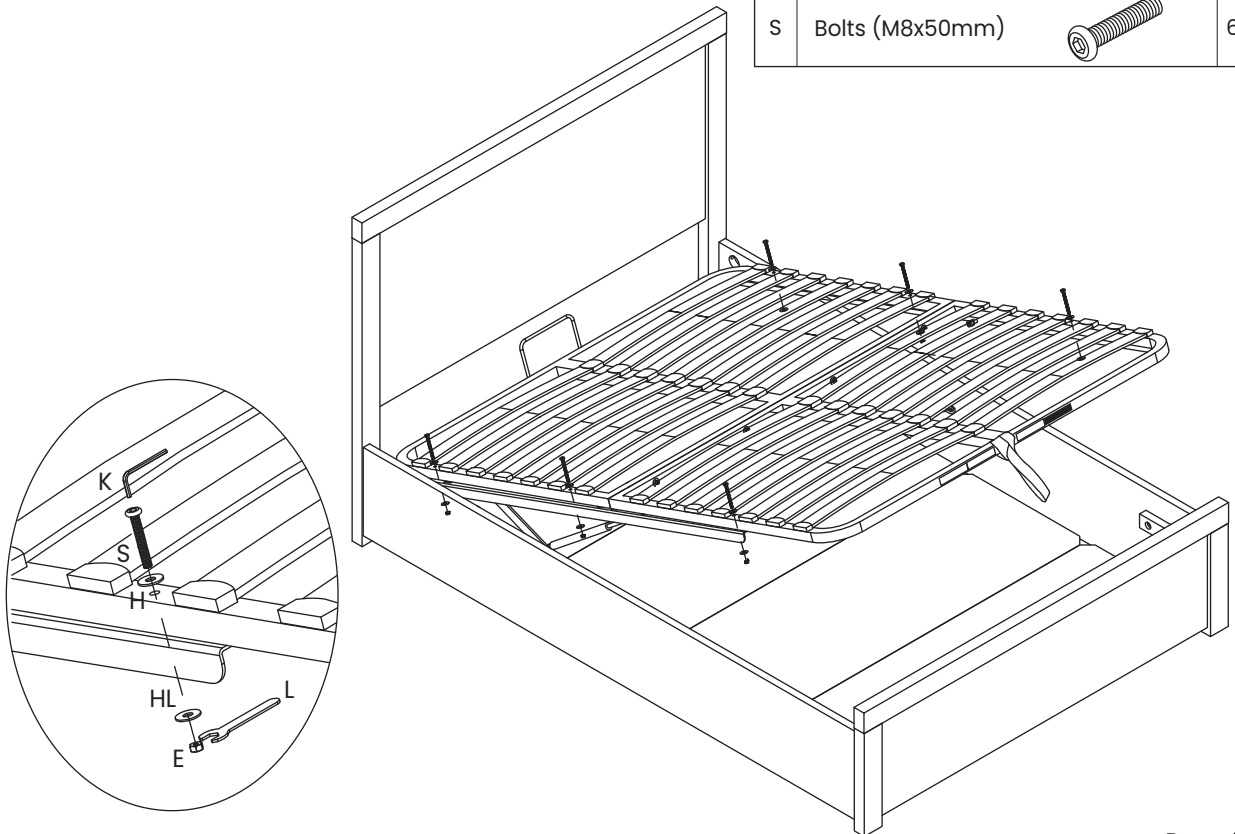
HH	L Support Bracket		2 pcs
K	Allen Key		1 pc



Step 14:

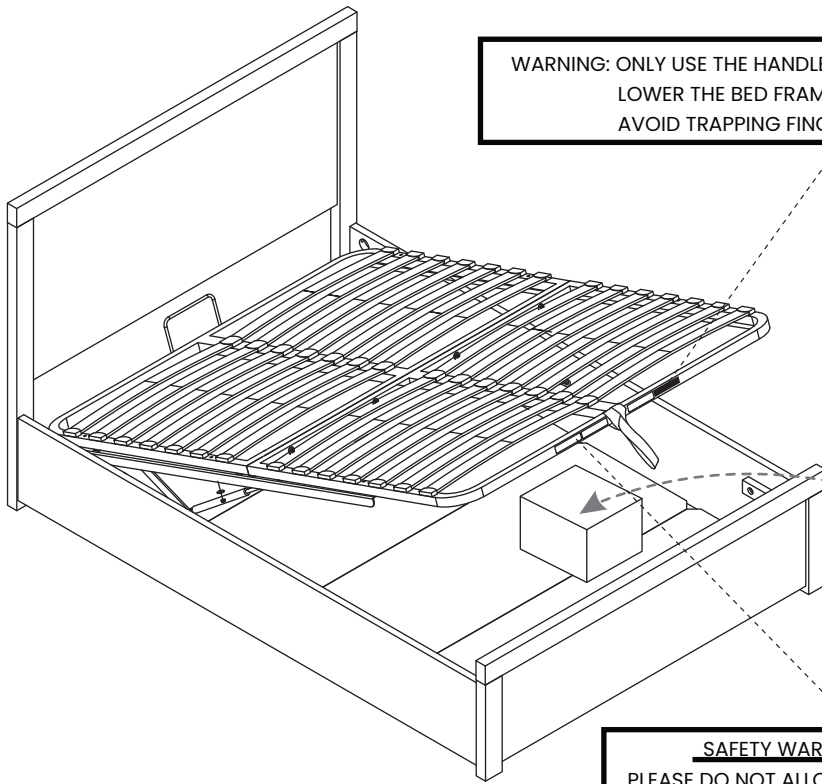
E	Nut for M8 bolt		6 pcs
K	Allen Key		1 pc

HL	Flat Washer		12 pcs
L	Spanner		1 pc
S	Bolts (M8x50mm)		6 pcs



WARNING: ONLY USE THE HANDLE TO LIFT & LOWER THE BED FRAME TO AVOID TRAPPING FINGERS!

TO AVOID ACCIDENTS
TO ACCESS THE STORAGE AREA THE OTTOMAN FRAME MUST BE FULLY OPENED AND THEN FULLY CLOSED AFTERWARDS



Note: Be very careful what you store under the bed – the top of an item, like a suitcase or a box must not touch the slats or they may be damaged. Maximum storage height is 215mm.

SAFETY WARNING
 PLEASE DO NOT ALLOW CHILDREN OR PETS INSIDE THE STORAGE AREA.

SAFETY WARNING
 PLEASE BE CAREFUL WHEN LIFTING. ONLY LIFT WITH MATTRESS ON TOP. TO BE OPERATED BY ADULTS ONLY.

Overall Dimensions (LWH mm)

Single: 2010 x 980 x 1100
 Small Double: 2010 x 1280 x 1100
 Double: 2010 x 1430 x 1100
 King: 2110 x 1580 x 1100
 Super King: 2110 x 1880 x 1100

Ottoman Piston Rating

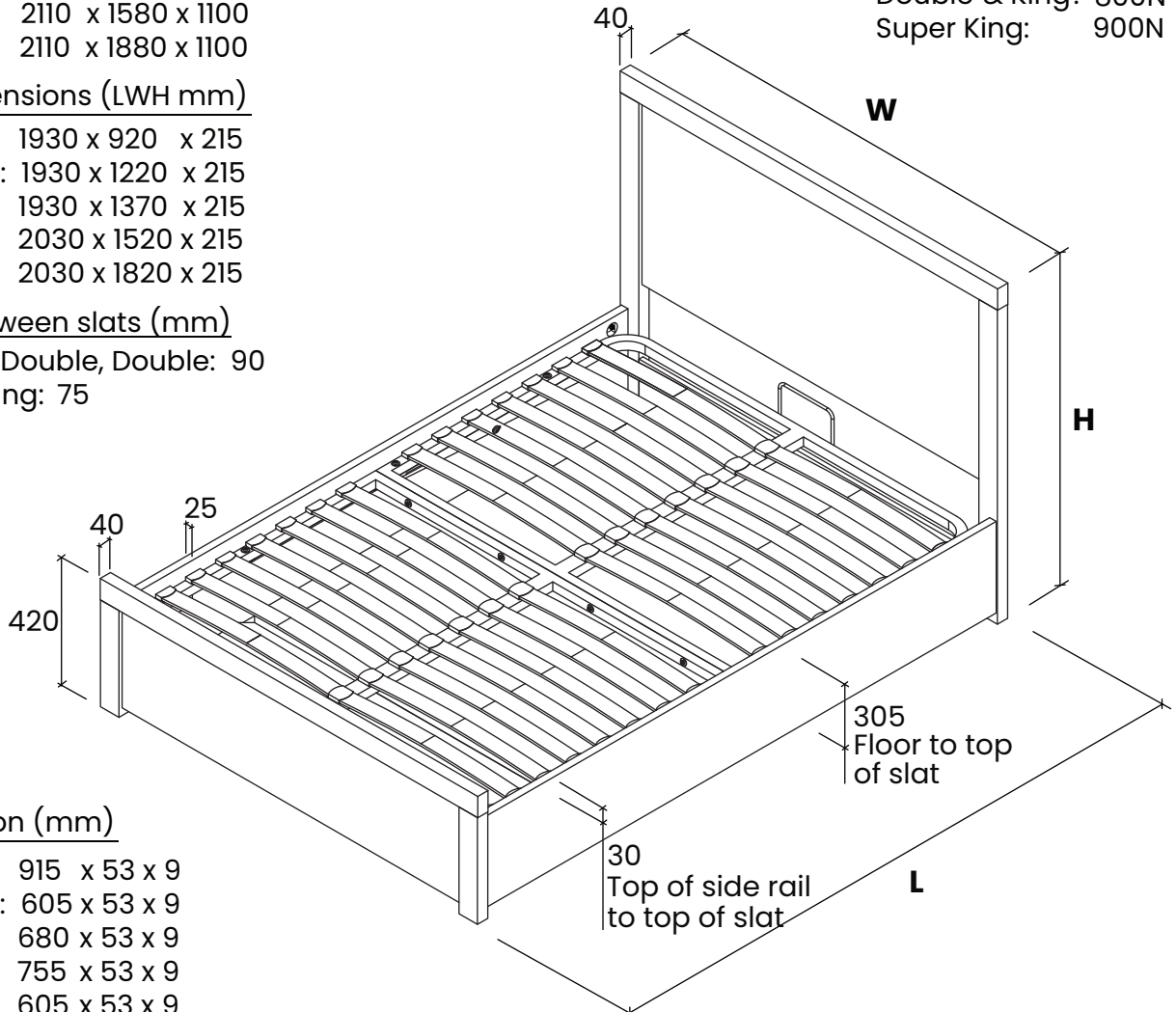
Single: 600N
 Small Double: 700N
 Double & King: 800N
 Super King: 900N

Internal Dimensions (LWH mm)

Single: 1930 x 920 x 215
 Small Double: 1930 x 1220 x 215
 Double: 1930 x 1370 x 215
 King: 2030 x 1520 x 215
 Super King: 2030 x 1820 x 215

Distance between slats (mm)

Single, Small Double, Double: 90
 King, Super King: 75



Slat Dimension (mm)

Single: 915 x 53 x 9
 Small Double: 605 x 53 x 9
 Double: 680 x 53 x 9
 King: 755 x 53 x 9
 Super King: 605 x 53 x 9

Please dispose of all packaging safely.

General Care & Maintenance

Wipe clean with a slightly damp cloth.
Avoid the use of all household cleaners and abrasives.

Periodically check all screw & fixings to ensure they are secure.
When moving your product, carefully lift into place. Never drag or push the pieces across the floor as this will cause damage to the joints and could result in failure to the product that will invalidate the warranty.

For more information on cleaning and product care visit:

<https://www.happybeds.co.uk/help-and-advice>

Notes

We've tried to make this product as easy to assemble as possible. In the unlikely event that you have problems putting it together or have damaged or missing pieces, please contact us by visiting: [®]

<https://www.happybeds.co.uk/customer-service>



www.happybeds.co.uk

Happy beds™

www.happybeds.co.uk